

## KWT 6312 UGS

Built-under wine conditioning unit

for perfect enjoyment and timeless design with its Push2open and SommelierSet.



- Perfect design for handleless kitchens – Push2open
- Odourless refrigeration section thanks to Active AirClean filters
- Present your wine in the perfect light – LED lighting
- Optimum wine protection through UV filters in tinted glass front
- Perfect enjoyment of your wine with the SommelierSet

EAN: 4002515396872 / Material number: 09764970 / Old Material Number: 36631200EU1

<b>Appliance category</b>	
Wine conditioning unit	•
<b>Construction type</b>	
Built-in appliance	•
Integrated appliance	•
Undercounter appliance	•
Door hinge	right
Convertible door hinging	•
Side-by-side enabled	•
<b>Design</b>	
Front colour	Glass door
Wine compartment lighting	LED illumination
<b>User convenience</b>	
Networking with Miele@home	•
Accessories required	XKS 3130 W
DynaCool	•
SoftClose	•
Concealed door opener	Push2open
Push2open	•
No. of wooden racks	4
Material of wooden racks	Beechwood
Number of FlexiFrame wooden racks	3
SommelierSet	•
Low-vibration storage	•
<b>Controls</b>	
Operating concept	TouchControl
Independent temperature regulation of fridge and freezer zones	No
No. of temperature zones	1
Min. temperature setting range in °C	5
Max. temperature setting range in °C	20
<b>Efficiency and sustainability</b>	
Energy efficiency class (A–G)	G
Annual energy consumption in kWh	135,05
Energy consumption in 24 h in kWh	0,36
<b>Safety</b>	
Lock function	•
Acoustic door alarm	•
Optical door alarm	•
<b>Technical data</b>	
Niche width in mm min.	600
Niche width in mm max.	600
Niche height in mm min.	820
Niche height in mm max.	870
Niche depth in mm	580
Appliance width in mm	597
Appliance height in mm	819
Appliance depth in mm	577
Weight in kg	45,0
Climate class	SN-ST

KWT 6312 UGS

Built-under wine conditioning unit

for perfect enjoyment and timeless design with its Push2open and SommelierSet.



EAN: 4002515396872 / Material number: 09764970 / Old Material Number: 36631200EU1

Refrigerator compartment in l	110
Wine conditioning zone in l	110
Total usable capacity in l	110
0.75 l Bordeaux bottle capacity (no. of bottles)	46 bottles
Storage time in case of fault in h	0
Noise class (A–D)	C
Sound power in dB(A) re 1 pW	37
Current consumption (mA)	800
Voltage in V	220-240
Fuse rating in A	10
Number of phases	1
Frequency in Hz	50
Length of supply lead in m	2,8
<b>Accessories supplied</b>	
Active AirClean filter	•

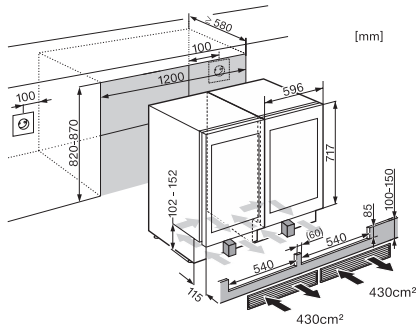
## KWT 6312 UGS

Built-under wine conditioning unit

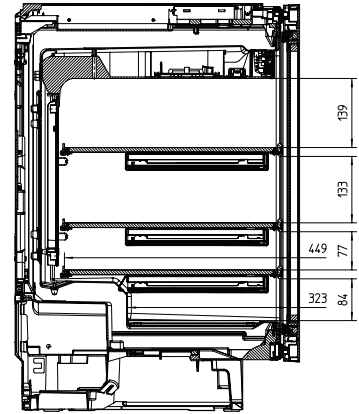
for perfect enjoyment and timeless design with its Push2open and SommelierSet.



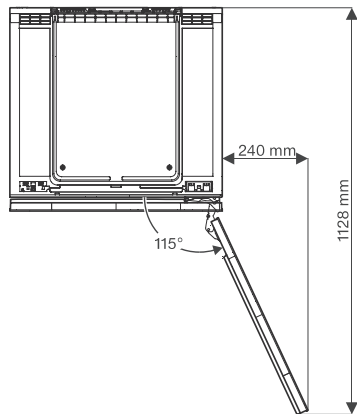
KWT6312UGS, KWT6322UG, KWT6322UG edt/cs  
(installation drawings)



KWT6312UGS, KWT6322UG, KSK6300, Side by Side



KWT6312UGS, Interior dimensions (Installation drawings)



KWT6312UGS, KWT6322UG, KWT6322UG edt/cs  
(installation drawings)