

KWT 1602 Vi

MasterCool wine conditioning unit

For optimum conditioning, thanks to different zones and Miele TouchControl.



- Simultaneous wine storage in separate temperature zones
- Odourless refrigeration section thanks to Active AirClean filters
- Optimum wine protection through UV filters in tinted glass front
- Secure storage of wine bottles with pull-out racks

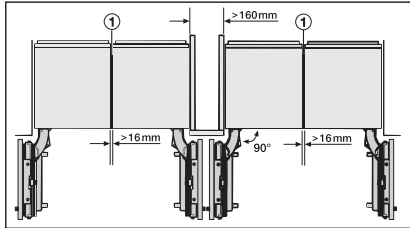
EAN: 4002515090176 / Material number: 09225440 / Old Material Number: 36160201GB

<b>Appliance category</b>	
Wine conditioning unit	•
<b>Construction type</b>	
Built-in appliance	•
Integrated appliance	•
Door hinge	right
Side-by-side enabled	•
<b>User convenience</b>	
No. of wooden racks	14
Bottle presenter	•
<b>Controls</b>	
Operating concept	TouchControl
Independent temperature regulation of fridge and freezer zones	No
No. of temperature zones	3
Min. temperature setting range in °C	5
<b>Safety</b>	
Acoustic door alarm	•
Acoustic temperature alarm	•
Optical door alarm	•
Optical temperature alarm	•
<b>Technical data</b>	
Niche width in mm min.	610
Niche width in mm max.	613
Niche height in mm min.	2134
Niche height in mm max.	2164
Niche depth in mm	629
Appliance width in mm	603
Appliance height in mm	2127
Appliance depth in mm	610
Weight in kg	165,0
Door hinge technology	Fixed door
Max. door front weight – refrigerator, in kg	62
Climate class	SN-T
Wine conditioning zone in l	365
Storage time in case of fault in h	0
Current consumption (mA)	500
Voltage in V	220-240
Fuse rating in A	10
Number of phases	1
Frequency in Hz	50
Length of supply lead in m	2,2
<b>Accessories supplied</b>	
Active AirClean filter	•

## KWT 1602 Vi

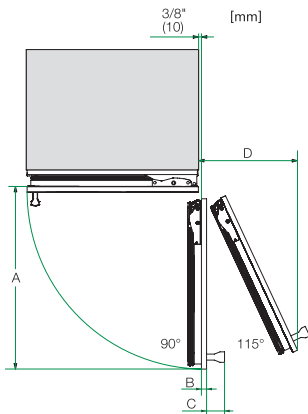
### MasterCool wine conditioning unit

For optimum conditioning, thanks to different zones and Miele TouchControl.



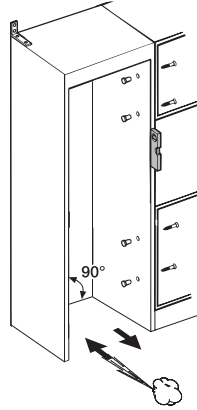
Side by side assembly, MasterCool (footnote) (installation drawings)

1. side wall heater

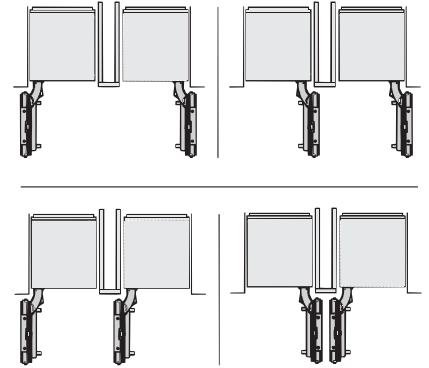


Opening angle 90°/115°, right side stop, MasterCool (Sketch) \*footnote

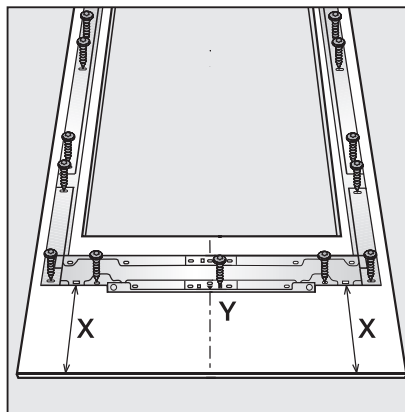
A) Appliance door width, K 2601 Vi, K 2601 SF, KWT 2601 Vi, KWT 2601 SF, KWT 2661 ViS, KWT 2661 SFS: 677 mm (26 2/3, inch);, K 2602 Vi, K 2602 SF, KWT 2602 Vi, KWT 2602 SF, KWT 2662 ViS, KWT 2662 SFS: 677 mm (26 2/3, inch);, K 2801 Vi, K 2801 SF, KF 2801 Vi, KF 2801 SF: 829 mm (32 2/3 inch);, K 2802 Vi, K 2802 SF, KF 2802 Vi, KF 2802 SF: 829 mm (32 2/3 inch);, K 2901 Vi, K 2901 SF, KF 2901 Vi, KF 2901 SF: 982 mm (38 2/3 inch);, K 2902 Vi, K 2902 SF, KF 2902 Vi, KF 2902 SF: 982 mm (38 2/3 inch);, B) Furniture front (max. 38 mm) (1 1/2 inch), C) Door handle, D) Distance door to wall (without furniture front and door handle):, K 2601 Vi, K 2601 SF, KWT 2601 Vi, KWT 2601 SF, KWT 2661 ViS, KWT 2661 SFS: 296 mm (11 2/3, inch);, K 2602 Vi, K 2602 SF, KWT 2602 Vi, KWT 2602 SF, KWT 2662 ViS, KWT 2662 SFS: 296 mm (11 2/3, inch);, K 2801 Vi, K 2801 SF, KF 2801 Vi, KF 2801 SF: 363 mm (14 1/3 inch);, K 2802 Vi, K 2802 SF, KF 2802 Vi, KF 2802 SF: 363 mm (14 1/3 inch);, K 2901 Vi, K 2901 SF, KF 2901 Vi, KF 2901 SF: 428 mm (16 7/8 inch);, K 2902 Vi, K 2902 SF, KF 2902 Vi, KF 2902 SF: 428 mm (16 7/8 inch), E) ONLY valid for SF versions: A + 25 mm (1 inch)



ventilation area of niche, MasterCool (Sketch)

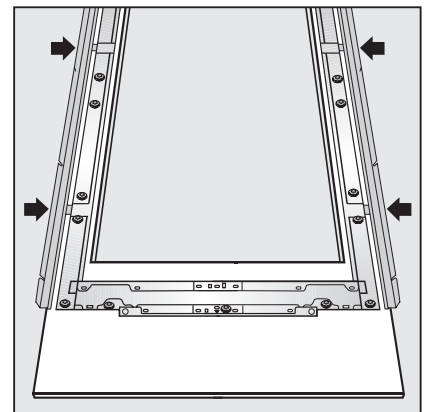


Side by side assembly, MasterCool (Sketch)



KWT1601Vi, KWT1602Vi, securing fixing frame, MasterCool (Sketch) \*with footnote

- Mark gap X on the inside of the furniture front., - Similarly, locate and mark the midpoint Y on the furniture front., - Remove the fixing frame from the appliance door and position it according to the markings on the furniture front., - Pre-drill the holes., - Screw the fixing frame to the furniture front, using at least one screw for each fixing point., - Secure the fixing frame to the top of the furniture front, using at least 10 screws.

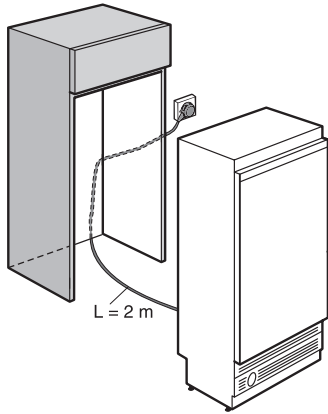


KWT1601Vi, KWT1602Vi, inserting angle trims, MasterCool (Sketch)

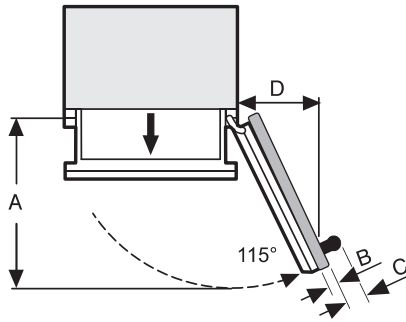
## KWT 1602 Vi

### MasterCool wine conditioning unit

For optimum conditioning, thanks to different zones and Miele TouchControl.

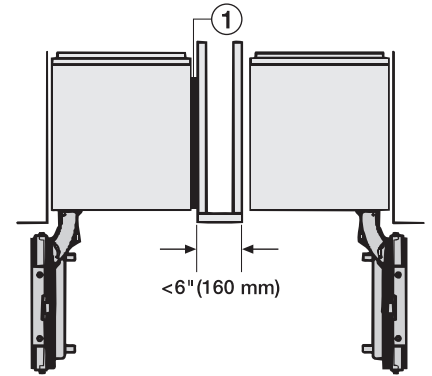


Laying of cabling, MasterCool (installation drawing)



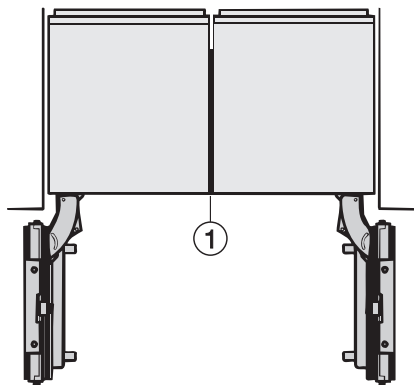
Opening angle 115°, MasterCool (Sketch) with footnote

A) Appliance door width, K 1801 Vi, KF 1801 Vi: 829 mm, K 1901 Vi, KF 1901 Vi: 982 mm, KWT 1601 Vi: 677 mm, KWT 1602 Vi: 677 mm, B) Furniture front (max. 38 mm), C) Door handle, D) Distance between appliance door and the wall (excluding furniture front and door handle), K 1801 Vi, KF 1801 Vi: 363 mm, K 1901 Vi, KF 1901 Vi: 428 mm, KWT 1601 Vi: 299 mm



Side-by-side, MasterCool, with partition wall, with heating mat (Sketch) (with footnote)

1) Heating mat



Side-by-side, MasterCool, without partition wall, with heating mat (Sketch) (with footnote)

1) Heating mat KSK 2001 (EU, AUS, CN) or KSK 2002 (US, CA, MX, BR)