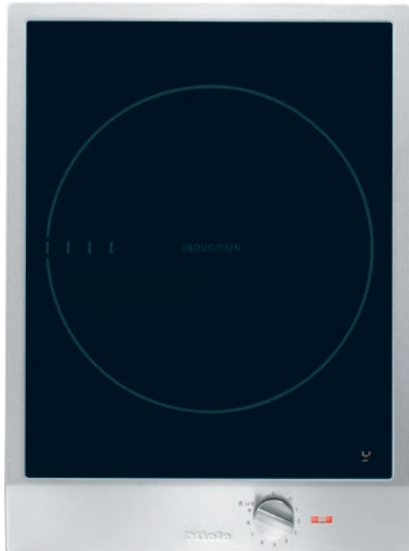


CS 1221-1 I
ProLine element
with one induction-heated cooking zone



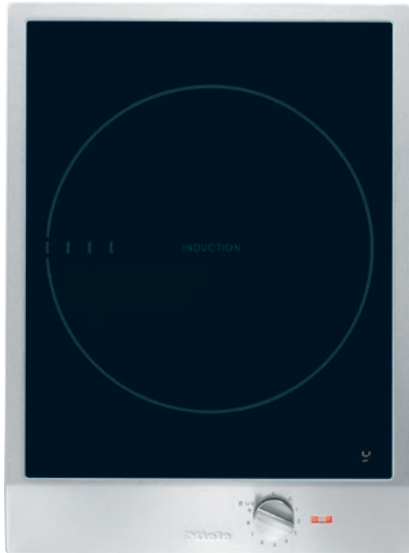
- Professional design – ceramic glass with frame measuring 380 mm 380 mm wide
- Versatile – 1 extra-large cooking zone for pans up to 30 cm in d.
- Easy and direct controls -operation via metal rotary dial control
- Broad performance spectrum – keeping warm function and TwinBooster
- Very convenient, safe – operating and residual heat indicator

EAN: 4002515019368 / Material number: 09047630 / Old Material Number: 27122152D

Heating type	
Heating type	Induction
Construction type	
ProLine	•
Design	
Elegant glass ceramic surface	•
Stainless steel frame	•
Print design	LightPrint
Miele logo embossed in stainless steel	•
Surface-mounted installation	•
Cooking zone details	
Number of cooking zones	1
1st cooking zone/cooking area	
Position	Centred
Type	Dual-circuit ring
Size in mm	Ø 180-300
Max. Booster power rating in W	3000
Max. rating in W	2400
Max. TwinBooster power rating in W	3700
User convenience	
Pan and pan size recognition	•
Auto heat-up	•
Keeping warm	•
Operation via knobs	•
Efficiency and sustainability	
Residual heat utilisation	•
Cleaning and care	
Easy to clean ceramic glass	•
Safety	
Safety switch-off	•
System lock	•
Integrated cooling fan	•
Overheating protection	•
Residual heat indicator	•
Operational indicator	•
Technical data	
Dimensions (H x W x D) in mm	73 x 380 x 520
Dimensions in mm (width)	380
Dimensions in mm (height)	73
Dimensions in mm (depth)	520
Cutout dimensions in mm (width) with surface-mounted installation	364
Cutout dimensions in mm (depth) with surface-mounted installation	500
Casing height incl. connection box in mm	73
Weight in kg	9
Total rated load in kW	3,70
Length of supply lead in m	2,0
Voltage in V	230
Frequency in Hz	50-60

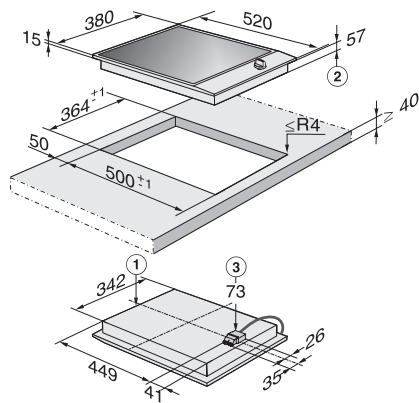
CS 1221-1 I
ProLine element
with one induction-heated cooking zone

EAN: 4002515019368 / Material number: 09047630 / Old Material Number: 27122152D



Accessories included	
Mains cable	Yes

CS 1221-1 I
ProLine element
with one induction-heated cooking zone



CS 1221-1 I, CS 1222 I (Installation drawing)

Installation note: This unit should only be installed above a built-in oven if the latter has an integrated cooling fan. ,
Heart pacemaker: When the unit is in operation, the area immediately surrounding the unit is electromagnetically charged. Under certain conditions, this could affect the proper functioning of pacemaker;. If in any doubt, please consult the manufacturer of the pacemaker or your health care professional., 1) Front, 2) Height for building in, 3) Mains connection box with cable, 2000 mm long