

CS 1327 Y
ProLine element
with electrically heated Tepan Yaki

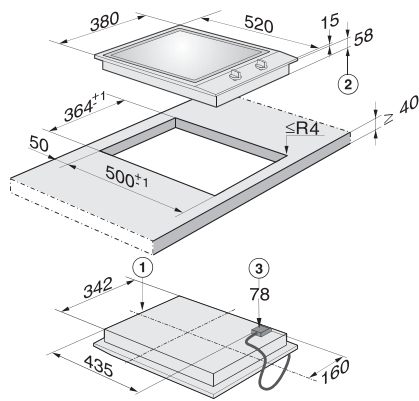


- Professional design – Stainless steel surface, 380 mm wide
- Particularly versatile – 2 separately controlled heating areas
- Particularly versatile – fry, grill, braise, sauté, etc.
- Easy and direct controls -operation via metal rotary dial control
- Very convenient, safe – operating and residual heat indicator

EAN: 4002514997988 / Material number: 07890110 / Old Material Number: 27132750GB

Heating type	
Heating type	Other type of heating
Construction type	
ProLine	•
Design	
Stainless steel frame	•
Surface-mounted installation	•
Stainless steel Tepan surface	•
1st cooking zone/cooking area	
Position	In front
Type	Tepan area
Max. rating in W	1200
2nd cooking zone/cooking area	
Position	Rear
Type	Tepan area
Size in mm	Ø 190/190 x 290
Max. rating in W	1200
User convenience	
Operation via knobs	•
Safety	
Residual heat indicator	•
Technical data	
Dimensions in mm (width)	380
Dimensions in mm (height)	118
Dimensions in mm (depth)	520
Cutout dimensions in mm (width) with surface-mounted installation	364
Cutout dimensions in mm (depth) with surface-mounted installation	500
Weight in kg	10
Total rated load in kW	2,40-2,60
Length of supply lead in m	2,0
Voltage in V	230-240
Frequency in Hz	50-60
Accessories supplied	
Number of mains cables with plug	Yes

CS 1327 Y
ProLine element
with electrically heated Tepan Yaki



CS 1327 Y (Installation drawing)

1) Front, 2) Height for building in, 3) Mains connection box
with cable, 2000 mm long