

F 1911 Vi

MasterCool freezer

More space and maximum convenience with IceMaker and telescopic drawers



EAN: 4002514653396 / Material number: 07514770 / Old Material Number: 37191101GB

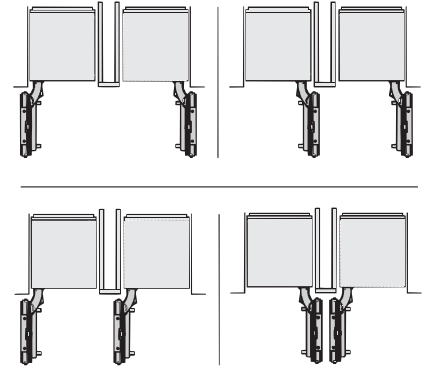
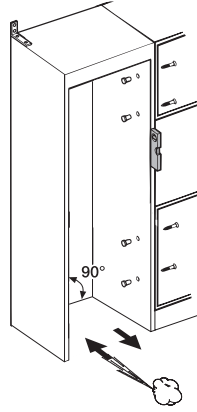
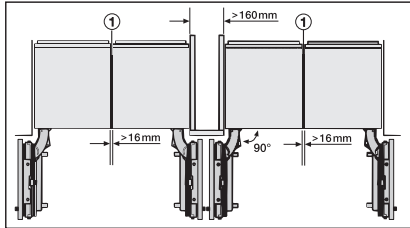
- No icing up of food and no need to defrost thanks to Frost free
- Ice cubes ready whenever you need them with the IceMaker
- Perfect illumination thanks to halogen emitters – BrilliantLight
- Infinitely height-adjustable internal containers – Drop and Lock
- Pull out drawers to full depth for easy filling.

Appliance category	
Freezer	•
Construction type	
Built-in appliance	•
Integrated appliance	•
Door hinge	Left
Side-by-side enabled	•
User convenience	
NoFrost	•
Ice cube maker with mains water connection (IceMaker)	•
Control system	
Operating concept	TouchControl
Independent temperature regulation of fridge and freezer zones	No
SuperFreeze	•
Fridge/Fridge section	
No. of shelves	4
Number of inner door racks for tinned food	4
Freezer/Freezer section	
Number of freezer drawers	2
No. of removable metal baskets in door	4
Safety	
Acoustic door alarm	•
Acoustic temperature alarm	•
Optical door alarm	•
Optical temperature alarm	•
Technical data	
Niche width in mm min.	915
Niche width in mm max.	918
Niche height in mm min.	2134
Niche height in mm max.	2164
Niche depth in mm	629
Appliance width in mm	908
Appliance height in mm	2127
Appliance depth in mm	610
Weight in kg	197,0
Door hinge technology	Fixed door
Max. door front weight – refrigerator, in kg	36
Climate class	SN-T
Storage time in case of fault in h	22
Current consumption (mA)	1200
Voltage in V	220-240
Fuse rating in A	10
Number of phases	1
Frequency in Hz	50
Length of supply lead in m	2,2
Accessories included	
Ice cube tray	•

F 1911 Vi

MasterCool freezer

More space and maximum convenience with IceMaker and telescopic drawers

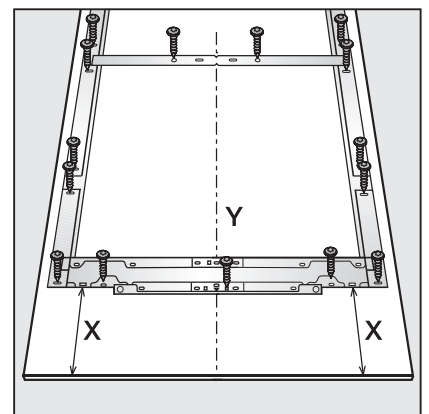
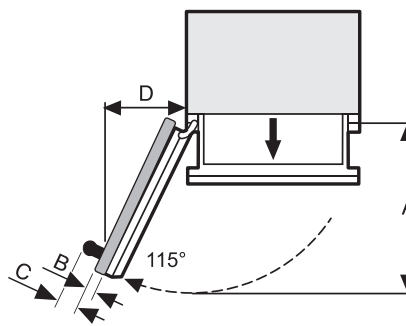
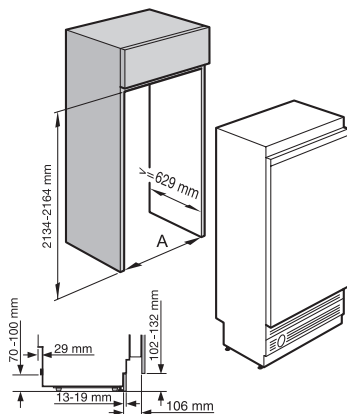


Side by side assembly, MasterCool (footnote) (installation drawings)

ventilation area of niche, MasterCool (Sketch)

Side by side assembly, MasterCool (Sketch)

1. side wall heater



F1411Vi, K1801Vi, F1811Vi, K1901Vi, F1911Vi, KWT1601Vi, KWT1602Vi, dimensions of appliance, MasterCool (Sketch)*Footnote

K1801Vi / F1811Vi: A = 762 mm, K1901Vi / F1911Vi: A = 915 mm, F1411Vi: A = 457 mm, KWT1601/KWT1611Vi: A = 610 mm, KWT1602/ KWT1612Vi: A = 610 mm

Opening angle 115°, MasterCool (Sketch) with footnote

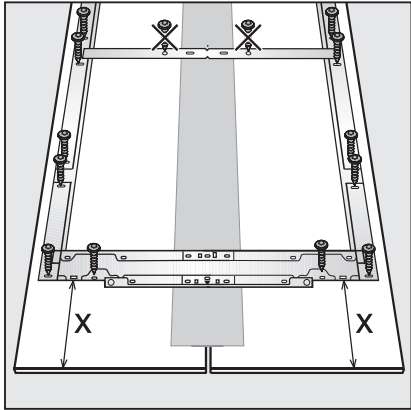
A) Appliance door width, F 1411 Vi, F 1471 Vi, F 1472 Vi: 525 mm, F 1811 Vi, KF 1811 Vi: 829 mm, F 1911 Vi, KF 1911 Vi: 982 mm, KWT 1611 Vi: 677 mm, KWT 1612 Vi: 677 mm, B) Furniture front (max. 38 mm), C) Door handle, D) Distance between appliance door and the wall (excluding furniture front and door handle), F 1411 Vi, F 1471 Vi: 234 mm, F 1811 Vi, KF 1811 Vi: 363 mm, F 1911 Vi, KF 1911 Vi: 428 mm, KWT 1611 Vi: 299 mm

K1801Vi, K1901Vi, KF1801Vi, KF1901Vi, F1411Vi, F1811Vi, F1911Vi, securing fixing frame, MasterCool (Sketch) *Footnote

- Mark gap X on the inside of the furniture front., - Similarly, locate and mark the midpoint Y on the furniture front., - Remove the fixing frame from the appliance door and position it according to the markings on the furniture front., - Pre-drill the holes., - Screw the fixing frame to the furniture front, using at least one screw for each fixing point., - Secure the fixing frame to the top of the furniture front, using at least 10 screws.

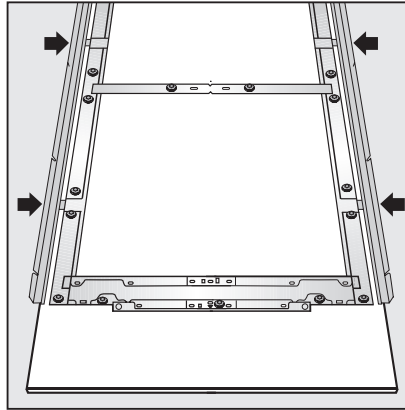
F 1911 Vi MasterCool freezer

More space and maximum convenience with IceMaker and telescopic drawers

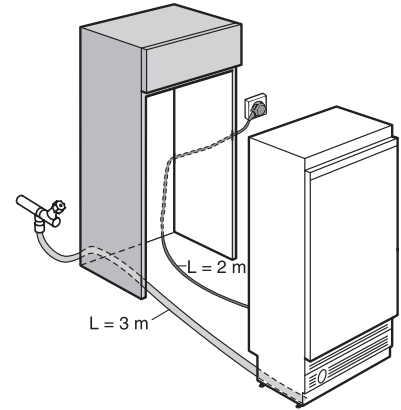


K1801Vi, K1901Vi, F1811Vi, F1911Vi, KF1801Vi, KF1901, securing fixing frame, MasterCool (Sketch) *Footnote

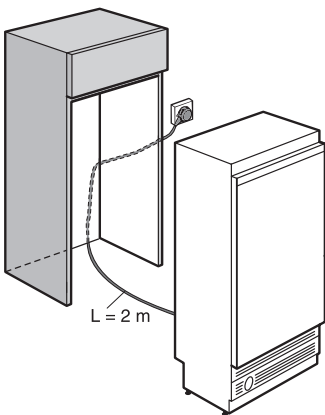
- Mark gap X on the inside of the furniture front., - Remove the fixing frame from the appliance door and position it according to the markings on the furniture front., - Pre-drill the holes., - Screw the fixing frame to the furniture front, using at least one screw for each fixing point., - Secure the fixing frame to the top of the furniture front, using at least 10 screws.



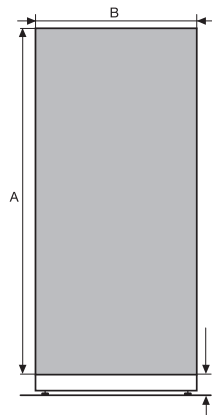
K1801Vi, K1901Vi, F1411Vi, F1811Vi, F1911Vi, KF1801Vi, KF1901Vi, inserting angle trims, MasterCool (Sketch)



laying of cabling and pipework, MasterCool (Sketch)

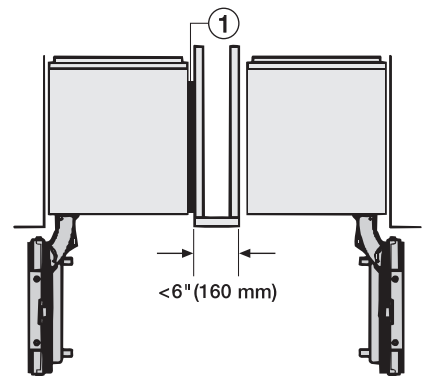


Laying of cabling, MasterCool (installation drawing)



KFP1140ss, KFP1080ss, KFP1090ss, dimensions of furniture front, MasterCool (Sketch) *Footnote

KFP 1080 ss: K1801Vi / F1811Vi: A = 2029 mm,
B = 756 mm, KFP 1090 ss: K1901Vi / F1911Vi: A
= 2029 mm, B =
908 mm, KFP 1140 ss: F1411Vi: A = 2029 mm,
B = 451 mm



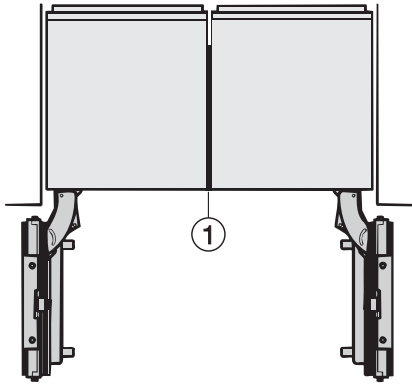
Side-by-side, MasterCool, with partition wall, with heating mat (Sketch) (with footnote)

1) Heating mat

F 1911 Vi

MasterCool freezer

More space and maximum convenience with IceMaker and telescopic drawers



Side-by-side, MasterCool, without partition wall, with heating mat (Sketch) (with footnote)

1) Heating mat KSK 2001 (EU, AUS, CN) or KSK 2002 (US, CA, MX, BR)