

CS 1018
ProLine element
with one burner

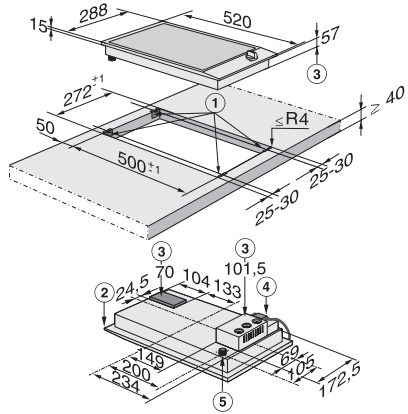


- Professional design – wide stainless steel trough
- Broad performance spectrum – dual wok with up to 5.400 kW of power
- Simple controls -single-handed operation via rotary dial control
- Extremely safe – GasStop function
- Particularly high-quality – enamelled cast-iron pot rests

EAN: 4002514448930 / Material number: 07142120 / Old Material Number: 27101850HK

Heating type	
Heating type	Gas
Construction type	
ProLine	•
Design	
Elegant glass ceramic surface	•
Cast iron pot rests (matt black enamelled)	•
Miele logo embossed in stainless steel	•
Stainless steel trough	•
Cooking zone details	
Number of cooking zones	1
Gas burner power rating	
Dual wok burner in kW	5,40
1st cooking zone/cooking area	
Position	Centred
Type	Dual wok burner
Max. rating in W	5400
User convenience	
Operation via sensor controls	Knob
Operation via knobs	•
Electronic ignition with single-hand operation	•
Cleaning and care	
Easy to clean ceramic glass	•
Safety	
GasStop	•
GasStop & ReStart	•
Technical data	
Dimensions in mm (height)	140
Cutout dimensions in mm (width) with surface-mounted installation	272
Cutout dimensions in mm (depth) with surface-mounted installation	500
Casing height incl. connection box in mm	106
Weight in kg	8
Total rated load in kW	5,40
Length of supply lead in m	1,4
Voltage in V	230-240
Frequency in Hz	50-60
Accessories included	
Mains cable	Yes

CS 1018 ProLine element with one burner



CS 1018 (Installation drawing)

1. Spring clamps, 2. Front, 3. Building-in depth, 4.
Mains connection box with mains connection cable, L =
1400 mm, 5. Gas connection R 1/2 - ISO 7-1 (DIN 10226)