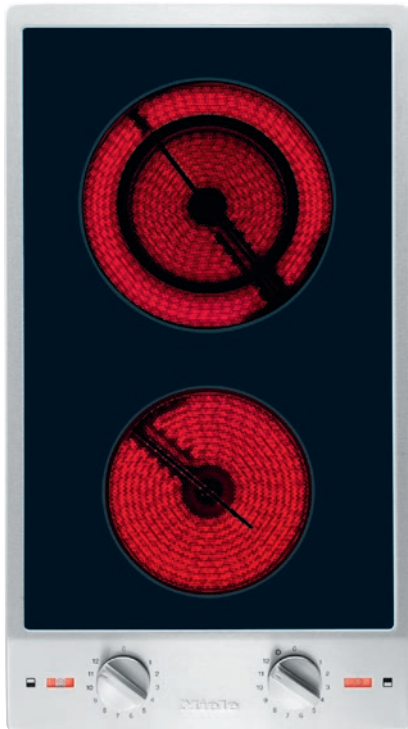


CS 1112 E
ProLine element
with two electrically heated cooking zones

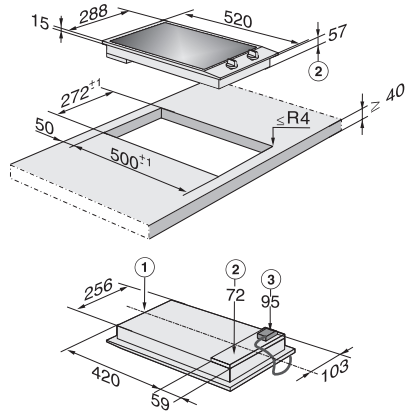


- Professional design – ceramic glass with frame measuring 288 mm 288 mm wide
- Very convenient, safe – operating and residual heat indicator
- Easy and direct controls -operation via metal rotary dial control
- Particularly versatile – 2 cooking zones incl. 1 Vario zone

EAN: 4002514407388 / Material number: 07131020 / Old Material Number: 27111250GB

Heating type	
Heating type	Electric
Construction type	
ProLine	•
Design	
Elegant glass ceramic surface	•
Stainless steel frame	•
Print design	LightPrint
Miele logo embossed in stainless steel	•
Surface-mounted installation	•
Cooking zone details	
Number of cooking zones	2
1st cooking zone/cooking area	
Position	front centre
Type	Single-circuit ring
Size in mm	Ø 145
Max. rating in W	1200
2nd cooking zone/cooking area	
Position	rear centre
Type	Dual-circuit ring
Size in mm	Ø 100-180
Max. rating in W	700/1800
User convenience	
Extended cooking zone	•
Operation via knobs	•
Cleaning convenience	
Easy to clean ceramic glass	•
Safety	
Safety switch-off	•
Overheating protection	•
Residual heat indicator	•
Operational indicator	•
Technical data	
Dimensions (H x W x D) in mm	73 x 288 x 520
Dimensions in mm (width)	288
Dimensions in mm (height)	73
Dimensions in mm (depth)	520
Casing height incl. connection box in mm	95
Cutout dimensions in mm (width) with surface-mounted installation	272
Cutout dimensions in mm (depth) with surface-mounted installation	500
Weight in kg	7
Total rated load in kW	3,00
Length of supply lead in m	1,4
Voltage in V	230-240
Frequency in Hz	50-60
Accessories supplied	
Razor-blade scraper	•
Mains cable	Yes

CS 1112 E
ProLine element
with two electrically heated cooking zones



CS1112E/CS1212I (Installation drawing)

Installation note: This unit should only be installed above a built-in oven if the latter has an integrated cooling fan.,
Heart pacemaker: When the unit is in operation, the area immediately surrounding the unit is electromagnetically charged., Under certain conditions, this could affect the proper functioning of pacemaker: If in any doubt, please consult the manufacturer of the pacemaker or your health care professional., 1) Front, 2) Height for building in, 3) Mains connection box with cable, 2000 mm long