

CS 1322 BG  
ProLine element  
with electrically heated barbecue grill

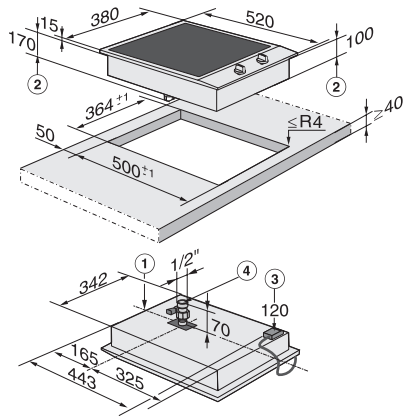


- Professional design – Stainless steel surface, 380 mm wide
- Particularly versatile – 2 separately controlled heating areas
- Easy and direct controls -operation via metal rotary dial control
- Particularly convenient and safe – in operation indicator
- Extensive range – Standard as well as optional accessories

EAN: 4002514399010 / Material number: 07119530 / Old Material Number: 27132250D

<b>Heating type</b>	
Heating type	Other type of heating
<b>Construction type</b>	
ProLine	•
<b>Design</b>	
Stainless steel frame	•
Surface-mounted installation	•
Cast-iron griddle	•
<b>1st cooking zone/cooking area</b>	
Position	In front
Type	Electric grill
Max. rating in W	1700
<b>2nd cooking zone/cooking area</b>	
Position	Rear
Type	Electric grill
Size in mm	210 x 250
Max. rating in W	1700
<b>User convenience</b>	
Operation via knobs	•
<b>Technical data</b>	
Dimensions in mm (width)	380
Dimensions in mm (height)	115
Dimensions in mm (depth)	520
Cutout dimensions in mm (width) with surface-mounted installation	364
Cutout dimensions in mm (depth) with surface-mounted installation	500
Weight in kg	14
Total rated load in kW	3,40
Length of supply lead in m	2,0
Voltage in V	230-240
Frequency in Hz	50-60
<b>Accessories supplied</b>	
Number of mains cables with plug	Yes
Lava rocks	•
Cleaning brush	•

CS 1322 BG  
ProLine element  
with electrically heated barbecue grill



CS 1322 BG (installation drawing)

1. Front, 2. Building-in depth, 3. Mains connection box with mains connection cable, L = 2000 mm, 4. Drain tap