

KM 2054

Gas hob

with 2 dual wok burners for extremely versatile cooking convenience.



- Simple controls -single-handed operation via rotary dial control
- Professional design – ?? wide stainless steel trough
- Particularly versatile – 5 burners incl. Two dual woks
- Extremely safe – GasStop function
- Easy cleaning – dishwasher-safe ComfortClean pot rests

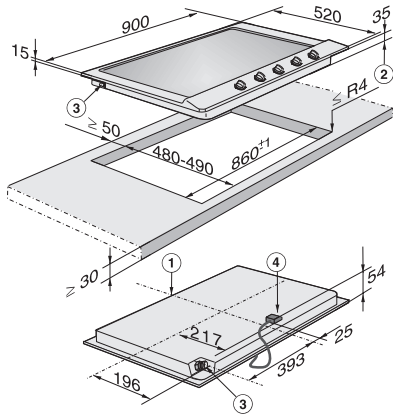
EAN: 4002514389851 / Material number: 07111220 / Old Material Number: 26205450AUS

<b>Heating type</b>	
Heating type	Gas
<b>Construction type</b>	
Independent of cooker	•
<b>Design</b>	
Cast iron pot rests (matt black enamelled)	•
Stainless steel trough	•
<b>Cooking zone details</b>	
Number of cooking zones	5
<b>1st cooking zone/cooking area</b>	
Position	front left
Type	Dual wok burner
<b>2nd cooking zone/cooking area</b>	
Position	rear left
Type	Economy burner
<b>3rd cooking zone/cooking area</b>	
Position	Centred
Type	High-speed burner
<b>4th cooking zone/cooking area</b>	
Position	rear right
Type	Dual wok burner
<b>5th cooking zone/cooking area</b>	
Position	front right
Type	Standard burner
<b>User convenience</b>	
Operation via sensor controls	Knob
Operation via knobs	•
Electronic ignition with single-hand operation	•
<b>Cleaning and care</b>	
Dishwasher-proof pot rests	•
PerfectClean burner	•
<b>Safety</b>	
GasStop	•
<b>Technical data</b>	
Total rated load in kW	14,61
Voltage in V	230
Frequency in Hz	50-60
<b>Accessories included</b>	
Mains cable	No

KM 2054

Gas hob

with 2 dual wok burners for extremely versatile cooking convenience.



KM2050G (installation drawing)

1. Front, 2 Building-in depth, 3. Gas connection R 1/2 - ISO 7-1 (DIN 10226), 4. Mains connection box with mains connection cable, L = 2000 mm