

CS 1028 G
ProLine element
with one burner

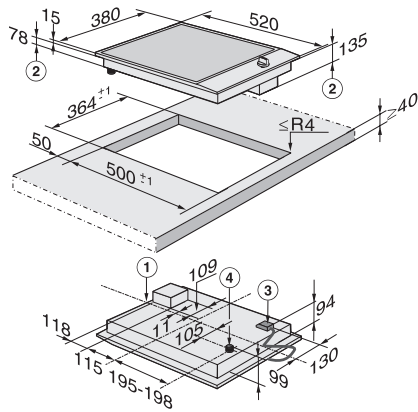


- Professional design – 380 mm wide stainless steel trough
- Particularly brilliant performance – mono wok with up to 8 kW
- Simple controls -single-handed operation via rotary dial control
- Extremely safe – GasStop function
- Easy cleaning – dishwasher-safe ComfortClean pot rests

EAN: 4002514355603 / Material number: 07094010 /
Old Material Number: 27102850HK

Heating type	
Heating type	Gas
Construction type	
ProLine	•
Design	
Cast iron pot rests (matt black enamelled)	•
Miele logo embossed in stainless steel	•
Stainless steel trough	•
Cooking zone details	
Number of cooking zones	1
1st cooking zone/cooking area	
Position	Centred
Type	Single wok burner
Max. rating in W	8000
User convenience	
Operation via sensor controls	Knob
Operation via knobs	•
Electronic ignition with single-hand operation	•
Safety	
GasStop	•
Technical data	
Dimensions (H x W x D) in mm	150 x 380 x 520
Dimensions in mm (width)	380
Dimensions in mm (height)	150
Dimensions in mm (depth)	520
Cutout dimensions in mm (width) with surface-mounted installation	364 mm
Cutout dimensions in mm (depth) with surface-mounted installation	500 mm
Casing height incl. connection box in mm	135
Weight in kg	10
Total rated load in kW	8,00
Length of supply lead in m	2,0
Voltage in V	230-240
Frequency in Hz	50-60
Accessories included	
Mains cable	Yes

CS 1028 G
ProLine element
with one burner



CS 1028 G (Installation drawing)

1. Front, 2. Building-in depth, 3. Mains connection box with mains connection cable, L = 1440 mm, 4. Gas connection R 1/2 - ISO 7-1 (DIN EN 10226)