

KM 2010  
Gas hob  
with 4 burners



- Simple controls -single-handed operation via rotary dial control
- Versatile – 4 burners
- Extremely safe – GasStop function
- Easy cleaning – dishwasher-safe ComfortClean pot rests

EAN: 4002514356426 / Material number: 07051640 / Old Material Number: 262010501

|   |                   |
|---|-------------------|
| <b>General information</b>  |                   |
| Model identifier  | KM 2010           |
| Manufacturer material number                                      | 07051640          |
| EAN number  | 4002514356426     |
| Marketing class   | Silver            |
| <b>Heating type</b>   |                   |
| Heating type  | Gas               |
| <b>Construction type</b>  |                   |
| Independent of cooker   | •                 |
| <b>Design</b>   |                   |
| Stainless steel trough  | •                 |
| Cast iron pot rests (matt black enamelled)                        | •                 |
| <b>Cooking zone details</b>                                       |                   |
| Number of cooking zones   | 4                 |
| Number of cooking zones/cooking areas                             | –/–               |
| <b>Gas burner power rating</b>                                    |                   |
| Small burner in kW  | 1,00              |
| Medium burner in kW   | 1,75              |
| Large burner in kW  | 2,60              |
| <b>1st cooking zone/cooking area</b>                              |                   |
| Position  | front left        |
| Type  | High-speed burner |
| <b>2nd cooking zone/cooking area</b>                              |                   |
| Position  | rear left         |
| Type  | Economy burner    |
| <b>3rd cooking zone/cooking area</b>                              |                   |
| Position  | rear right        |
| Type  | Standard burner   |
| <b>4th cooking zone/cooking area</b>                              |                   |
| Position  | front right       |
| Type  | Standard burner   |
| <b>User convenience</b>   |                   |
| Operation via knobs   | •                 |
| Electronic ignition with single-hand operation                    | •                 |
| <b>Cleaning and care</b>  |                   |
| Dishwasher-proof pot rests  | •                 |
| PerfectClean burner   | •                 |
| <b>Safety</b>   |                   |
| GasStop   | •                 |
| <b>Technical data</b>   |                   |
| Dimensions (H x W x D) in mm                                      | 90 x 650 x 520    |
| Dimensions in mm (width)  | 650               |
| Dimensions in mm (height)   | 90                |
| Dimensions in mm (depth)  | 520               |
| Number of phases  | 1                 |
| Cutout dimensions in mm (width) with surface-mounted installation | 560 mm            |

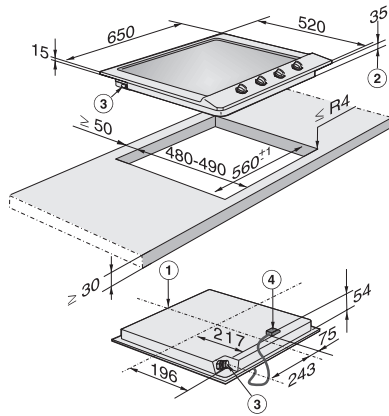
KM 2010  
Gas hob  
with 4 burners



EAN: 4002514356426 / Material number: 07051640 / Old Material Number: 262010501

|   |              |
|---|--------------|
| Cutout dimensions in mm (depth) with surface-mounted installation | 480 mm       |
| Weight in kg  | 13           |
| Total rated load in kW  | 7,10         |
| Length of supply lead in m  | 2,0          |
| Position of gas connection  | Hinten links |
| Voltage in V  | 220-240      |
| Frequency in Hz   | 50-60        |
| Neutral conductor   | Yes          |
| <b>Accessories included</b>                                       |              |
| Mains cable   | No           |

KM 2010  
Gas hob  
with 4 burners



KM2010G (Installation drawing)

1. Front, 2 Building-in depth, 3. Gas connection R 1/2 - ISO 7-1 (DIN EN 10226), 4. Mains connection box with mains connection cable, L = 2000 mm