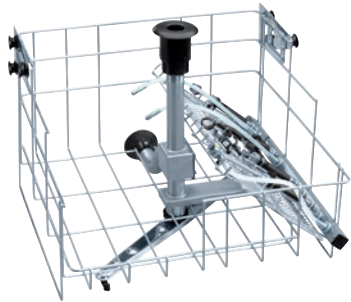


O 176/1

Upper basket

for the optimum loading of instruments for MIS, arthroscopy and urology.



- Equipped w/ 10 holding options & integrated magnetic spray arm
- Left inserts, right hollow instruments (up to 500 mm)
- Magnet for use with spray arm sensors for PG 8535, PG 8536
- Powder dispensing not possible
- Equipped with connection for hot air drying

EAN: 4002514556208 / Material number: 07333070 / Old Material Number: 69117602D

Product category	
Washer-disinfectors, medical	•
Machine affiliation	
PG 8535	•
PG 8536	•
Product category	
Injector basket	•
Upper basket	•
Product characteristics	
Material	Stainless steel
Colour	Stainless Steel
Application area	
Reprocessing of MIS instruments	•
Capacity	
Lumened instruments [number]	10
Standard electrical connection	
Number of phases	0
Voltage in V	0
Frequency in Hz	0
Total rated load in kW	0.00
Fuse rating in A	0
Dimensions and weight	
External dimensions, net height in in. (mm)	16 11/16 (423)
External dimensions, net width in in. (mm)	20 7/8 (529)
External dimensions, net depth in in. (mm)	20 7/8 (529)
External dimensions, gross height in in. (mm)	21 5/16 (540)
External dimensions, gross width in in. (mm)	10 11/16 (270)
External dimensions, gross depth in in (mm)	20 11/16 (525)
Net weight in lb (kg)	6 (2.40)
Gross weight in lb (kg)	8 (3.30)
Accessory pack	
E 442 irrigation sleeve, Ø 11 mm, length 121 mm, with cap Ø 6 mm [number]	2
E 448 silicone hose with female Luer Lock adapter [number]	2
E 452 injector nozzle 2.5 x 60 mm [number]	1
E 453 injector nozzle 4 x 110 mm with retaining clip [number]	1
E 454 injector nozzle for trocar sleeves 10–15 mm [number]	1
Spray jet, Ø 2.5 mm [number]	2
Spray jet, Ø 4 mm [number]	4
Funnel [number]	4