

Miele



PDR 944/544 SI
Heated with steam

en Installation Plan Commercial Tumble Dryers

fr Plan d'installation Sécheuses professionnelles

en - Contents

Installation notes	3
Installation requirements	3
Steam connection	3
Condensate connection	3
Floor anchoring	3
Supply air/exhaust air.....	3
Optional accessories.....	4
Communication box.....	4
XKM 3200 WL PLT	4
Supply air, exhaust, and ventilation cross-sections	4
Supply air/exhaust air	4
Calculating the total length and diameter of a supply-air or exhaust pipe	4
Substitute duct lengths	5
Maximum permissible total ducting length	6
Room ventilation opening for air intake from the setup room.....	7
Exhaust connection	8
PDR 944/544, heated with steam	14
Dimensions.....	14
Installation	15
Floor anchoring	16
Technical data	17
Possible voltage options	17
Exhaust air.....	17
Supply air	17
Steam connection	17
Condensate connection	17
Equipotential bonding	17
APDR 002 communication box (optional accessory).....	18
Machine data.....	18

Installation requirements

 Risk of injury or damage to property due to improper installation.

Incorrect installation of the tumble dryer can lead to personal injury or damage to property.

It is recommended that installation and commissioning be accomplished by Miele Service or an authorized dealer.

- ▶ The tumble dryer must be installed in accordance with all relevant regulations and standards. Observe all local codes.
- ▶ The dryer must only be operated in a room that has sufficient ventilation and which is frost-free.
- ▶ The tumble dryer must not be installed behind a closeable door or a sliding door. The maximum opening angle of the tumble dryer door must not be limited by objects or doors. It must be possible to fully open the tumble dryer door at any time.

Steam connection

The steam connection must only be carried out by a registered installation technician. The information from the data plate, the wiring diagram, and the documentation accompanying the machine must be noted and complied with when connecting steam-heated Miele machines.

Condensate connection

The condensate separator must be installed such that when the system is not operating, the heater bank is completely emptied. This means that no condensate may remain in the heater bank. The installation of an inverted bucket condensate trap is recommended.

Floor anchoring

Miele generally recommends securing both of the tumble dryer's front screw feet to the floor with tensioning strips.

In the following cases, the tumble dryer must be secured to the floor with tensioning strips:

- when installing on a base
- on an offshore installation

Supply air/exhaust air

The tumble dryer may only be operated when the ducting has been connected properly and the room is sufficiently ventilated.

en - Installation notes

Optional accessories

Only use genuine Miele spare parts and accessories with this machine. Using parts or accessories from other manufacturers may void the warranty, and Miele cannot accept liability.

Communication box

The optional communication box allows external hardware from Miele and other suppliers to be connected to the Miele Professional machine. External hardware includes e.g., peak-load systems, pressure sensors, or an external vent flap.

The communication box is supplied with voltage by the Miele Professional machine.

The separately available set consists of the communication box and fasteners for installation on the machine or on the wall.

XKM 3200 WL PLT

The optional Miele communication module can be used to establish a data connection between a Miele Professional machine and a data processor in accordance with the Ethernet or WiFi standard.

This communication module fits into the communication slot which is a standard feature on all machines. The communication module offers the option of intelligent app-based communication with external systems. In addition, it can display detailed machine and program status information.

This module forms the basis for wired communication with Miele MOVE.

It is not possible to integrate the machine into the “Miele@home” app for domestic installations.

The communication module is intended exclusively for commercial use and is supplied with voltage directly via the Miele Professional machine. No additional power connection is required. The Ethernet interface provided via the communication module complies with SELV (safety extra low voltage) requirements in accordance with EN 60950. Connected external machines must also comply with SELV.

Supply air, exhaust, and ventilation cross-sections

Supply air/exhaust air

The tumble dryer may only be operated when the ducting has been connected properly and the room is sufficiently ventilated.

Calculating the total length and diameter of a supply-air or exhaust pipe

The length of the required ductwork and the number and shape of the elbows are determined by the structural conditions on-site. In order to maximize the airflow efficiency, the pipeline should be as short as possible and contain few or minimal elbows.

⚠ The exhaust ducting must not be made from flammable materials. Otherwise there is a risk of fire. Use only non-flammable materials for the exhaust ducting. All local regulations for metallic ducting must be observed. Plastic must not be used for ventilation.

In upward exhaust ducting systems, a condensate drain must be fitted to the bottom. The condensate must be drained via a water collection tray or a floor drain positioned in an appropriate location.

If air is being directed from multiple appliances into a combined line (exceptional circumstances), a non-return device (non-return flap) must be installed in each separate line to prevent backflow.

To make subsequent cleaning of the pipes easier, cleaning flaps should be fitted to elbows wherever possible.

The on-site exhaust ducting and venting to the outdoors must be regularly checked for lint deposits and cleaned if necessary.

Substitute duct lengths

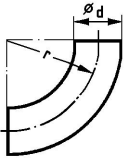
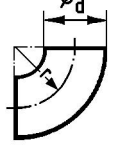
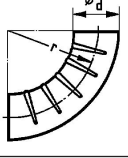
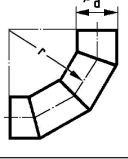
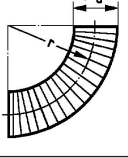
Type of elbow	Type		PDR 914/514	PDR 918/518	PDR 922/522	PDR 928/528	PDR 944/544
	90° elbow 45° elbow	$r = 2d$ $r = 2d$	3' 7 5/16" (1.1 m) 2' 3 9/16" (0.7 m)				
	90° elbow 45° elbow	$r = d$ $r = d$	6' 2 13/16" (1.9 m) 3' 7 5/16" (1.1 m)				
	90° concertina duct elbow 45° concertina duct elbow	$r = 2d$ $r = 2d$	10' 6" (3.2 m) 6' 6 3/4" (2 m)				
	90° segmented elbow (3 welded seams)	$r = 2d$	3' 11 1/4" (1.2 m)				
	90° elbow, Westaflex ducting 45° elbow, Westaflex ducting	$r = 2d$ $r = 4d$ $r = 2d$ $r = 4d$	3' 11 1/4" (1.2 m) 2' 11 7/16" (0.9 m) 3' 3 3/8" (1 m) 2' 7 1/2" (0.8 m)				
	Non-return flap		39' 4 7/16" (12 m)	39' 4 7/16" (12 m)	22' 11 9/16" (7 m)	22' 11 9/16" (7 m)	21' 3 7/8" (6.5 m)

Table 1

en - Installation notes

Maximum permissible total ducting length

Internal minimum pipe diameter (metal ducting)	PDR x18 SI	PDR x22 SI	PDR x28 SI	PDR x44 SI
5 7/8" (150 mm)	49' 2 9/16" (15 m)	39' 4 7/16" (12 m)	32' 9 11/16" (10 m)	32' 9 11/16" (10 m)
7 1/16" (180 mm)	124' 8 1/16" (38 m)	101' 8 1/2" (31 m)	88' 7" (27 m)	78' 8 7/8" (24 m)
7 7/8" (200 mm)	213' 3 1/16" (65 m)	173' 10 5/8" (53 m)	157' 5 3/4" (48 m)	130' (40 m)
Permissible counter pressure in the exhaust ducting	0.03 psi (200 Pa)	0.04 psi (310 Pa)	0.07 psi (510 Pa)	0.06 psi (390 Pa)

Table 2

When connected to the vent ducting through the exhaust duct of a machine, particular care must be taken to make sure the connection is secure and air-tight.

With complex ducting with many bends and additional components, or when several different machines are connected to a shared duct, it is recommended that a detailed pipework calculation is carried out by a qualified specialist.

The vent ducting must not be channeled into a chimney or flue already in use for any gas-, coal-, or oil-burning installation. The warm and moist exhaust air is to be conducted outside or to a suitable venting duct over the shortest path possible. The vent ducting must be laid so that air flow is not hindered. To achieve this, use as few bends as possible along with short pipelines and well-made connections and transitions checked for air-tightness. No filters or grilles may be fitted in the vent ducting.

The end of the vent ducting leading out into the open should be protected against the elements, e.g., with a downward-facing 90° bend.

 During tumble dryer operation, the room must be adequately ventilated.

Room ventilation opening for air intake from the setup room

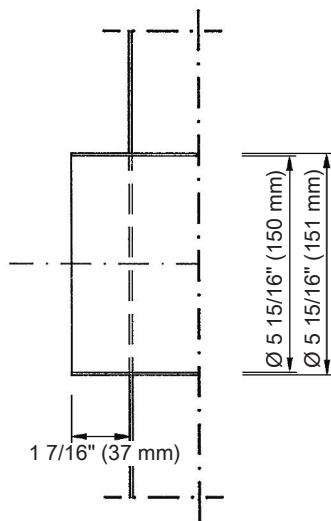
The minimum dimension of the ventilation opening depends on the cross-section of the vent duct.

Vent duct			Minimum dimension for ventilation opening		
⊘	□	A	A	⊘	□
6" (150 mm)	-	27 7/16" ² (177 cm ²)	82 5/16" ² (531 cm ²)	10 1/4" (260 mm)	9 1/16" (230 mm)
-	6" (150 mm)	34 7/8" ² (225 cm ²)	104 5/8" ² (675 cm ²)	11 5/8" (295 mm)	10 1/4" (260 mm)
7 1/16" (180 mm)	-	39 3/8" ² (254 cm ²)	118 1/8" ² (762 cm ²)	12 3/8" (315 mm)	11" (280 mm)
-	7 1/16" (180 mm)	50 1/4" ² (324 cm ²)	150 11/16" ² (972 cm ²)	14" (355 mm)	12 3/8" (315 mm)
7 7/8" (200 mm)	-	48 11/16" ² (314 cm ²)	146" ² (942 cm ²)	13 3/4" (350 mm)	12 3/16" (310 mm)
-	7 7/8" (200 mm)	62" ² (400 cm ²)	186" ² (1,200 cm ²)	15 9/16" (395 mm)	13 3/4" (350 mm)
8 11/16" (220 mm)	-	58 7/8" ² (380 cm ²)	176 11/16" ² (1,140 cm ²)	15" (381 mm)	14 13/16" (377 mm)
-	8 11/16" (220 mm)	75" ² (484 cm ²)	225 1/16" ² (1,452 cm ²)	16 15/16" (430 mm)	15 1/16" (382 mm)
9 13/16" (250 mm)	-	76 1/8" ² (491 cm ²)	228 5/16" ² (1,473 cm ²)	17 1/8" (435 mm)	15 3/16" (385 mm)
-	9 13/16" (250 mm)	96 7/8" ² (625 cm ²)	290 5/8" ² (1,875 cm ²)	19 5/16" (490 mm)	17 1/8" (435 mm)
11 3/16" (300 mm)	-	109 9/16" ² (707 cm ²)	328 3/4" ² (2,121 cm ²)	20 1/2" (520 mm)	18 1/8" (460 mm)
-	11 3/16" (300 mm)	139 1/2" ² (900 cm ²)	418 1/2" ² (2,700 cm ²)	23 1/4" (590 mm)	20 1/2" (520 mm)

Table 3

en - Installation notes

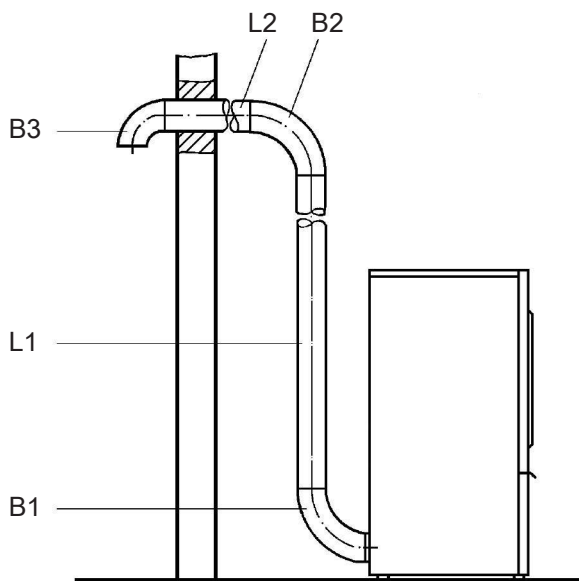
Exhaust connection



Example 1

Configuring vent ducting made from steel piping for the PDR 914/514 tumble dryers:

- L1, L2: each 9' 10" (3 m) steel piping
- B1, B2: each 90° concertina pipe elbow ($r = 2d$)
- B3: 90° elbow ($r = d$)



1. Total duct length

Steel pipe	L1 = 9' 10" (3.0 m)
Steel pipe	L2 = 9' 10" (3.0 m)
90° concertina pipe elbow (r = 2d)	B1 = 10' 6" (3.2 m)*
90° concertina pipe elbow (r = 2d)	B2 = 10' 6" (3.2 m)*
90° elbow (r = d)	B3 = 6' 3" (1.9 m*)
Total duct length	46' 11" (14.3 m)

* Substitute duct lengths according to **Table 1**

2. Duct diameter depending on total pipe length

For the calculated total pipe length of **46' 11" (14.3 m)** for a PDR 914/514, a minimum duct diameter of **6" (150 mm)** is specified for the exhaust ducting **according to Table 2**.

en - Installation notes

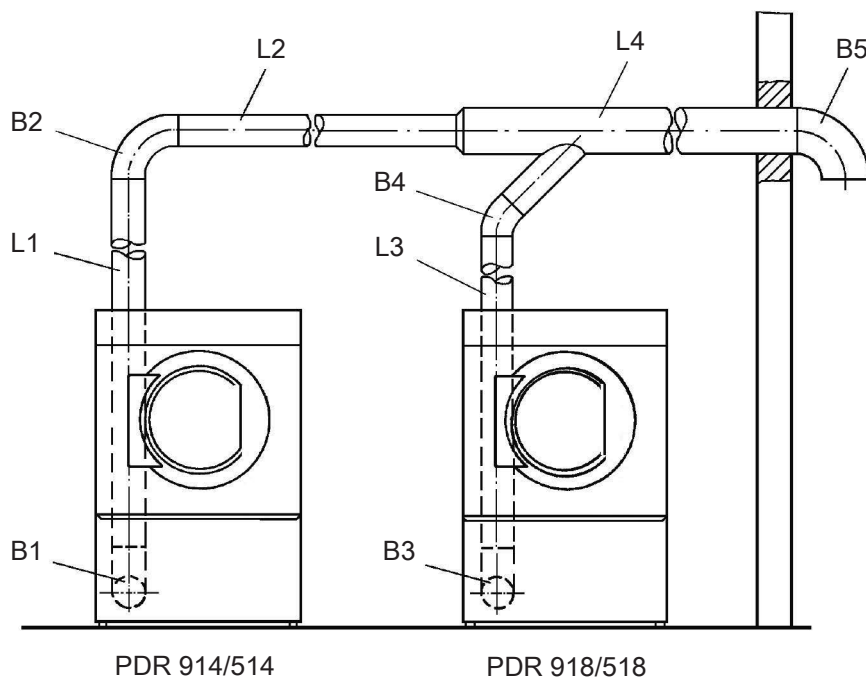
Example 2

Common combined exhaust ducting for multiple appliances should only be considered as a solution in exceptional cases.

Configuring combined exhaust ducting made from steel for the PDR 914/514 and PDR 918/518 series tumble dryers:

- L1-L4 each 6' 6" (2 m) steel piping
- B1-B3 each 90° concertina pipe elbow (r = 2d)
- B4 45° elbow (r = 2d)
- B5 90° elbow (r = d)

If the exhaust from multiple appliances is to be ducted into a combined line, a non-return device must be installed in each separate line to prevent backflow.



1. Total pipe length PDR 914/514

Steel pipe	L1 = 6' 6" (2.0 m)
Steel pipe	L2 = 6' 6" (2.0 m)
Steel pipe	L4 = 6' 6" (2.0 m)
90° concertina pipe elbow (r = 2d)	B1 = 10' 6" (3.2 m)*
90° concertina pipe elbow (r = 2d)	B2 = 10' 6" (3.2 m)*
90° elbow (r = d)	B5 = 6' 3" (1.9 m*)
Total duct length	46' 11" (14.3 m)

* Substitute pipe lengths according to **Table 1**

2. Pipe diameter depending on total pipe length

Total pipe length = **46' 11" (14.3 m)**

Maximum permissible total pipe length 62' 4" (19 m) = **Ø 6" (150 mm)** internal pipe diameter (see Table 2)

3. Total pipe length PDR 918/518

Steel pipe	L3 = 6' 6" (2.0 m)
Steel pipe	L4 = 6' 6" (2.0 m)
90° concertina pipe elbow (r = 2d)	B3 = 10' 6" (3.2 m)*
45° elbow (r = 2d)	B4 = 2' 3" (0.7 m)*
90° elbow (r = d)	B5 = 6' 2" (1.9 m)*
Total duct length	32' 1 13/16" (9.8 m)

* Substitute pipe lengths according to **Table 1**

4. Pipe diameter depending on total pipe length

Total pipe length = **32' 1 13/16" (9.8 m)** (PDR 918/518)

Maximum permissible total pipe length 49' 2" (15 m) = **Ø 6" (150 mm)** internal pipe diameter (see Table 2)

5. Total duct diameter

According to Table 3

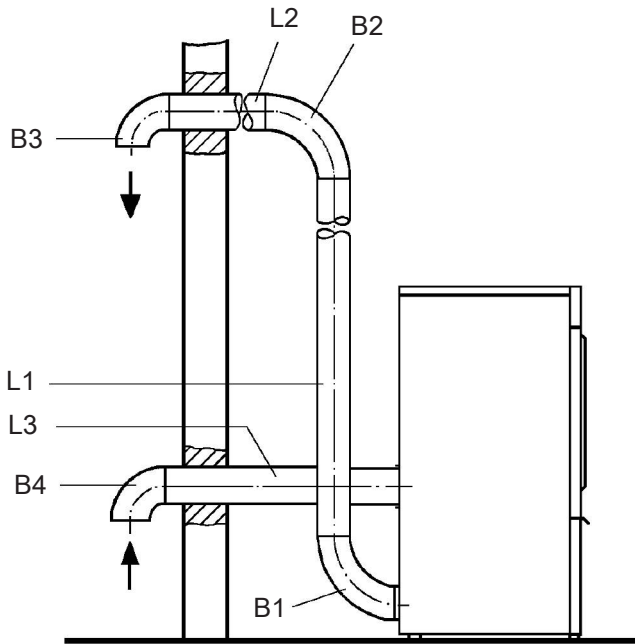
Duct diameter PDR 914/514	Ø 6" (150 mm) = 27 3/8"² (177 cm²)
Duct diameter PDR 918/518	Ø 6" (150 mm) = <u>27 3/8"² (177 cm²)</u>
Total cross section A	= 54 13/16"² (354 cm²)
Total duct diameter	= Ø 8 11/16" (220 mm)

en - Installation notes

Example 3

Configuring exhaust ducting and a supply pipe made from steel for the PDR 914/514 series tumble dryer:

- L1, L2: each 6' 6" (2.0 m) steel piping
- L3: 8' 2" (2.5 m) steel piping
- B1, B2: 90° concertina pipe elbow for each
- B3, B4: 90° elbow (r = d) for each



1. Total duct length

Steel pipe	L1 = 6' 6" (2.0 m)
Steel pipe	L2 = 6' 6" (2.0 m)
Steel pipe	L3 = 8' 2" (2.5 m)
90° concertina pipe elbow	B1 = 10' 6" (3.2 m)*
90° concertina pipe elbow	B2 = 10' 6" (3.2 m)*
90° elbow (r = d)	B3 = 6' 3" (1.9 m*)
90° elbow (r = d)	B4 = 6' 3" (1.9 m*)
Total duct length	54' 9 1/2" (16.7 m)

* Substitute pipe lengths according to **Table 1**

2. Pipe diameter depending on total pipe length

For the calculated total pipe length of **54' 9" (16.7 m)** for a PDR 914/514, a minimum pipe diameter of **6" (150 mm)** is specified for the exhaust ducting and supply pipe **according to Table 2**.

Configuring the room ventilation opening

⚠ Rooms in which rotary irons and tumble dryers are operated must have an induced ventilation system (e.g., ventilation slots in windows and doors, wall openings with grilles, or opened windows or skylights).

For example 1

A duct diameter of **6" (150 mm)** was specified in example 1. According to this duct diameter, a room ventilation opening with a size of **17' 5" (531 cm)** is required. The edge length is **9 1/16" (230 mm)** (see Table 3).

For example 2

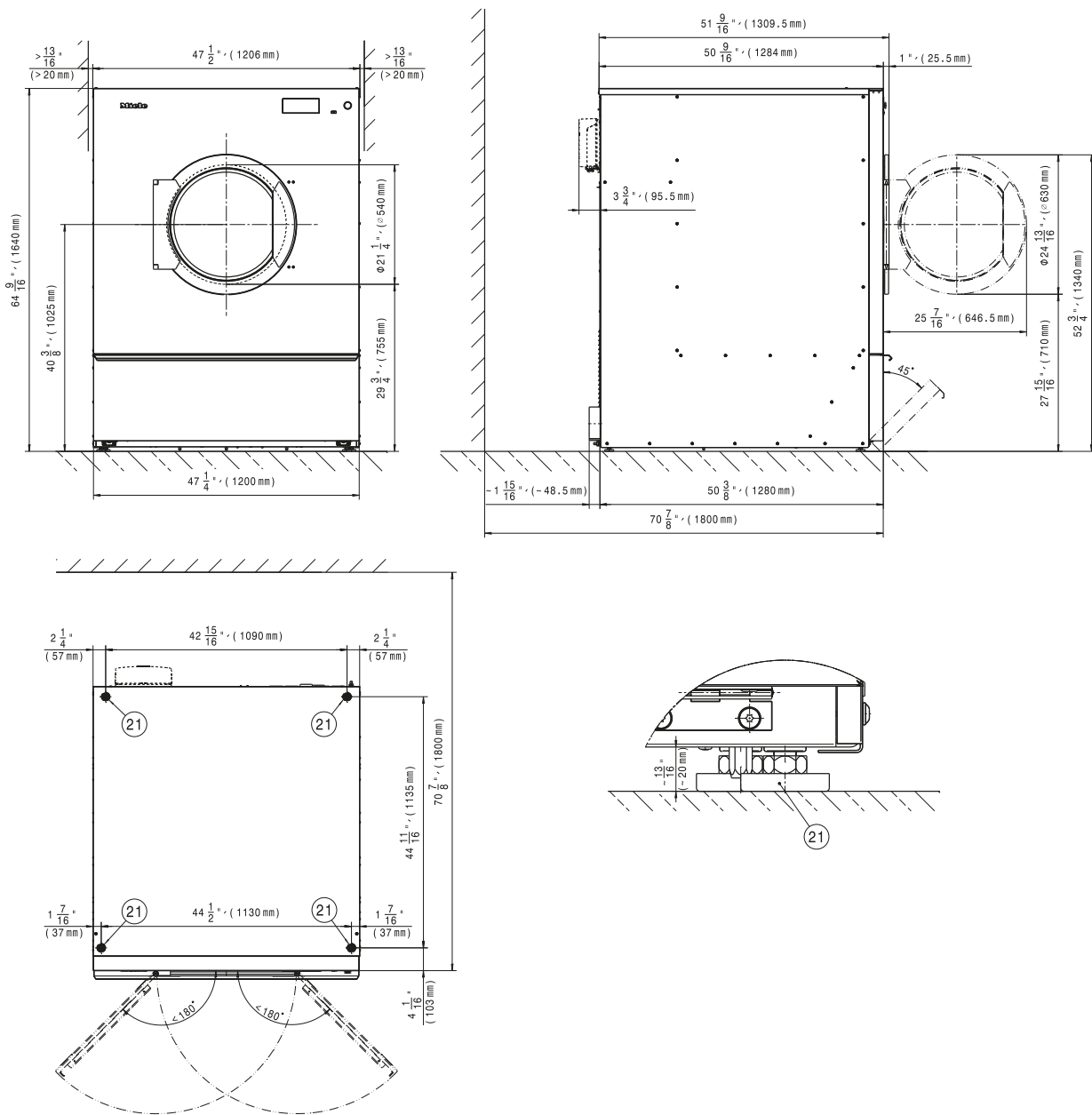
A total duct diameter of **8 11/16" (220 mm)** was specified. According to this duct diameter, a room ventilation opening with a size of **37' 4" (1,140 cm)** is required. The edge length is **14 13/16" (377 mm)** (see Table 3).

For example 3

Since in this case the tumble dryer is connected to a central air supply, additional ventilation openings are not needed.

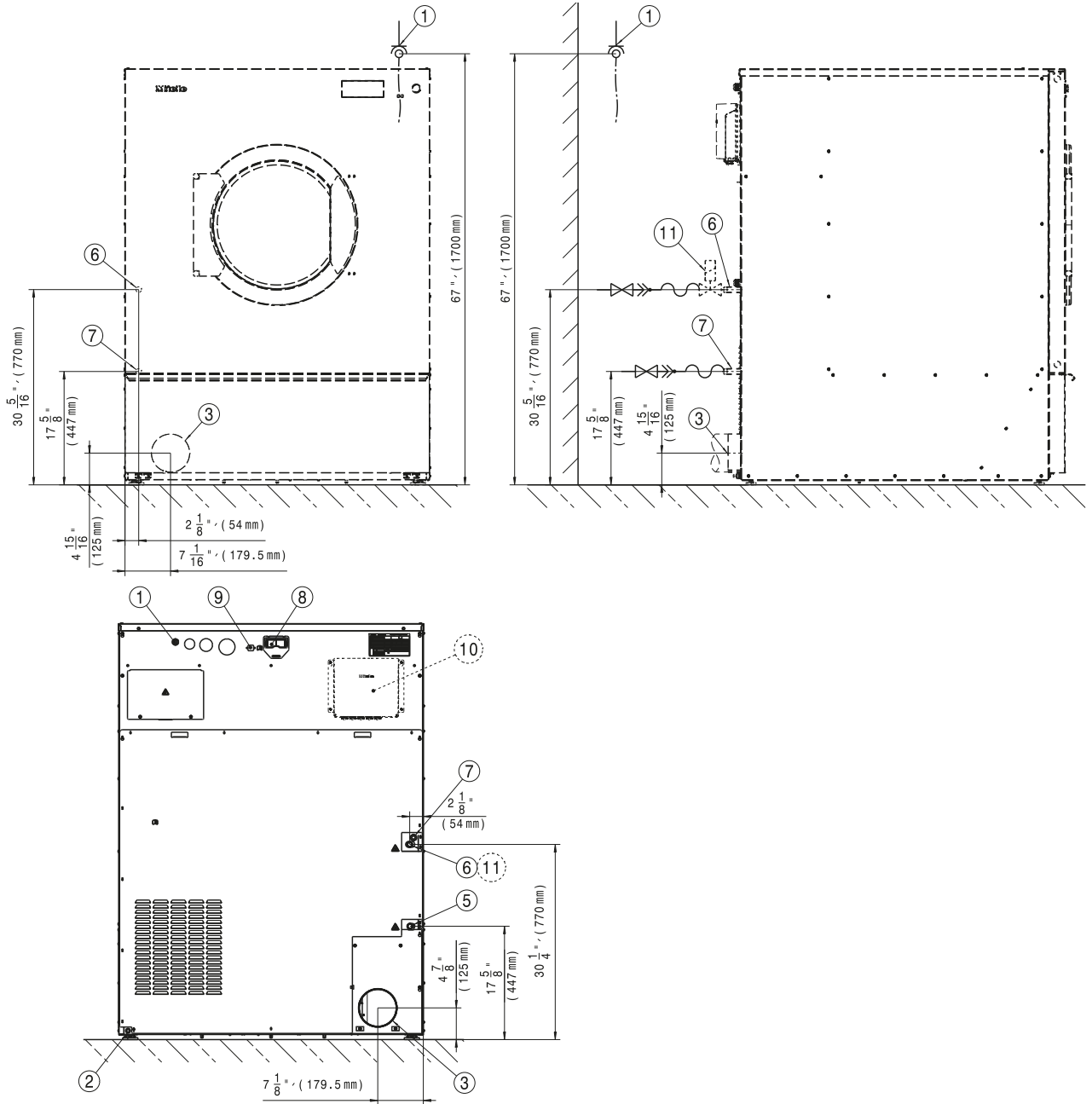
en - PDR 944/544, heated with steam

Dimensions



② Screw foot

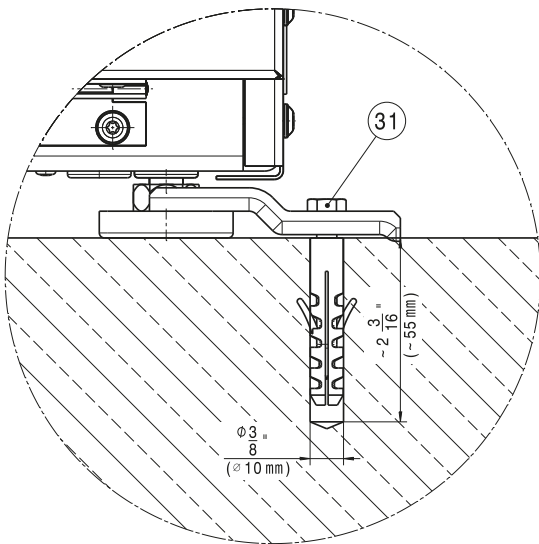
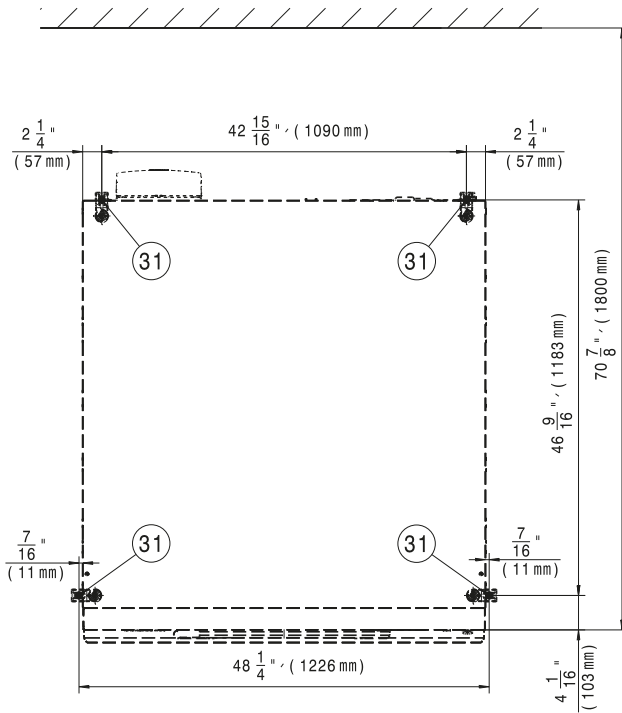
Installation



- ① Electrical connection
- ② Connection for equipotential bonding
- ③ Exhaust duct
- ⑤ Condensate connection
- ⑥ Steam connection
- ⑦ Steam valve connection
- ⑧ Connection for communication module
- ⑨ Connection for communication box
- ⑩ Communication box (optional)
For setting up a connection with external systems
- ⑪ Steam valve

en - PDR 944/544, heated with steam

Floor anchoring



③ Drill hole/anchor point

Possible voltage options

208/240 V 60 Hz 3 Ph

Power source	208/240 V 60 Hz 3 Ph
Total amps	10 A
Maximum fuse rating (time-delay fuse)	15 A
Minimum current	12.5 A

Exhaust air

Airflow rate	1,150 m ³ /h
Maximum permitted pressure loss	0.06 psi (390 Pa)
Maximum exhaust air temperature	175°F (80°C)
Maximum evaporation rate	72.8 lb/h (33 kg/h)
Exhaust air connector on machine side	6" (DN 150)

As relative humidity inside the exhaust ducting can be as high as 100%, suitable measures must be taken to prevent a backflow of condensate into the machine.

Supply air

Standard connection: air intake from installation site

Recommended free air intake cross-section into the room:
(equivalent to 3 times the exhaust air cross-section of a machine). 146 sq. in. (942 cm²)

There must be sufficient air intake to the installation site to match the air outlet volume.

Alternative connection: air intake connection directly from outdoors

Connection sleeve on machine side (internal diameter)	6 5/16" (161 mm)
Connection pipe provided on site (external diameter)	6 5/16" (160 mm)

Removing the protective cover exposes live parts. For safety reasons, a pipe must be installed from the tumble dryer's central fresh air intake (over a minimum length of 35 7/16" (900 mm)) and secured with 2 screws.

Steam connection

Design pressure on high-pressure side	87–145 psi (0.6–1 MPa)
Boiling point	329–363°F (165–184°C)
Mass flow, peak capacity	40.5 kW
On-site threaded union for steam (internal thread)	½"
Length of steam valve connection cable	19 11/16" (500 mm)

Steam valve, dirt filter, and steam shut-off valve must be installed by the customer on site.
The steam valve must be installed in the direct vicinity of the steam connection.

Condensate connection

On-site threaded union (internal thread)	½"
--	----

Shut-off equipment and condensate trap must be installed by the customer on site.

Equipotential bonding

Connection with male thread	10 × 35 mm
Washers and nuts	M10

Accessories for equipotential bonding are not supplied and need to be ordered separately.

en - Technical data

APDR 002 communication box (optional accessory)

Electrical connection	~ 200–240 V, 50/60 Hz
Net height	9 9/16" (243 mm)
Net width	11 3/4" (298 mm)
Net depth	3 3/4" (96 mm)
Gross height (including packaging)	5 11/16" (145 mm)
Gross width (including packaging)	11 1/2" (292 mm)
Gross depth (including packaging)	23 7/16" (595 mm)
Net weight	7.5 lb (3.4 kg)
Gross weight (including packaging)	8.274 lb (3.75 kg)

Machine data

Machine width, total	47 1/2" (1,206 mm)
Machine height, total	64 9/16" (1,640 mm)
Machine depth, total	54 1/2" (1,384 mm)
Niche width	61" (1,550 mm)
Minimum wall spacing (up to the back edge of the lid)	19 11/16" (500 mm)
Packaging width	54 3/4" (1,390 mm)
Packaging height	69 1/2" (1,766 mm)
Packaging depth	58 1/16" (1,474 mm)
Maximum gross volume	956 gal (3,618.3 L)
Maximum gross weight	814 lb (369.4 kg)
Maximum net weight	774 lb (351.3 kg)
Maximum floor load in operation	4,094 N
Diameter of exhaust duct	5 7/8" (150 mm)
Drum diameter	43 5/16" (1,100 mm)
Diameter of drum opening	20 1/2" (520 mm)
Drum depth	34 1/2" (876 mm)
Drum volume	211 gal (800 L)
Door opening diameter	20 1/2" (520 mm)
Maximum door opening angle	180°
Emission sound pressure level	63 dB(A) re 20 µPa
Sound power level	72 dB(A)
Average heat dissipation rate into the room	4 MJ/h
Permissible ambient temperature range during use	36-104°F (2–40°C)

Consignes d'installation	20
Conditions d'installation.....	20
Raccordement vapeur.....	20
Raccord de l'eau de condensat	20
Ancrage au sol.....	20
Alimentation en air / évacuation d'air	20
Accessoires en option	21
Boîtier de communication	21
XKM 3200 WL PLT	21
Sections d'alimentation en air, d'évacuation et de ventilation	21
Alimentation en air / évacuation d'air.....	21
Calcul de la longueur totale et du diamètre d'un tuyau d'évacuation d'air ou d'alimentation en air	22
Longueurs des conduites de substitution.....	23
Longueur totale admissible maximale de la conduite.....	23
Ouverture de ventilation de la pièce pour l'admission d'air provenant de la salle d'installation	25
Raccord d'évacuation d'air	26
PDR 944/544, chauffage vapeur	33
Dimensions.....	33
Installation	34
Ancrage au sol.....	35
Caractéristiques techniques	36
Variantes de tension possibles.....	36
Évacuation d'air.....	36
Alimentation en air.....	36
Raccordement à la vapeur	36
Raccordement des condensats	36
Liaison équipotentielle.....	36
Boîtier de communication APDR 002 (accessoire en option)	37
Caractéristiques de l'appareil.....	37

fr - Consignes d'installation

Conditions d'installation

 Risque de blessure ou de dommage matériel en cas d'installation incorrecte.

Une installation incorrecte de la sècheuse peut entraîner des blessures ou des dommages matériels.

Il est recommandé que l'installation et la mise en service soient effectuées par le service Miele ou un revendeur agréé.

- ▶ La sècheuse doit être installée conformément à toutes les réglementations et normes en vigueur.
- ▶ La sècheuse ne doit être utilisée que dans une pièce suffisamment ventilée et à l'abri du gel.
- ▶ La sècheuse ne doit pas être installée derrière une porte fermable ou une porte coulissante. L'angle d'ouverture maximal de la porte de la sècheuse ne doit pas être limité par des objets ou des portes. La porte de la sècheuse doit pouvoir être ouverte complètement à tout moment.

Raccordement vapeur

Seul un installateur habilité peut effectuer l'installation du raccordement de vapeur. Lors du raccordement des appareils Miele chauffés à la vapeur, il faut respecter la plaque signalétique, le schéma de câblage et les documents joints aux appareils.

Raccord de l'eau de condensat

Le purgeur doit être installé de sorte que la batterie de chauffe se vidange complètement lorsque la machine est à l'arrêt. Il n'y a plus d'eau condensée dans la batterie de chauffe.

L'installation de purgeurs à cloche est conseillée.

Ancrage au sol

Miele recommande généralement de fixer au sol les deux pieds à visser à l'avant de la sècheuse au moyen de bandes de tension.

Dans les situations suivantes, la sècheuse doit être fixée au sol au moyen des bandes de tension :

- Installation de l'appareil sur un socle
- Installation de l'appareil en mer

Alimentation en air / évacuation d'air

La sècheuse ne peut être utilisée que lorsque les conduites d'évacuation d'air ont été correctement raccordées et que la pièce est suffisamment ventilée.

Accessoires en option

N'utiliser que des accessoires et des pièces de rechange d'origine Miele avec cet appareil.

Si des pièces de rechange ou des accessoires d'autres fabricants sont utilisés, la garantie sera annulée, et Miele n'acceptera aucune responsabilité.

Boîtier de communication

Le boîtier de communication en option permet de raccorder le matériel externe de Miele et d'autres fournisseurs à l'appareil Miele Professional. Le matériel externe comprend, par exemple, des systèmes de délestage, des capteurs de pression ou une soupape d'évacuation externe.

Le boîtier de communication est fourni avec la tension réseau par l'appareil Miele Professional.

Le jeu disponible séparément comprend le boîtier de communication et les fixations pour l'installation sur l'appareil ou sur le mur.

XKM 3200 WL PLT

Le module de communication Miele en option peut être utilisé pour établir une connexion de données entre un appareil Miele Professional et un système de traitement des données, conformément à la norme Ethernet ou Wi-Fi.

Ce module de communication s'insère dans la fente de communication faisant partie de l'équipement standard de tous les appareils. Le module de communication offre l'option d'une communication intelligente basée sur une application avec des systèmes externes. De plus, il peut afficher des informations détaillées sur l'état de l'appareil et du programme.

Ce module constitue la base de la communication câblée avec Miele MOVE.

Il n'est pas possible d'intégrer l'appareil dans l'application « Miele@home » pour les installations domestiques.

Le module de communication est destiné exclusivement à un usage de qualité professionnelle, et il est alimenté en tension réseau directement par l'appareil Miele Professional. Aucun raccordement électrique supplémentaire n'est nécessaire. L'interface Ethernet fournie par le module de communication est conforme aux exigences de la TBTS (Très basse tension de sécurité) selon la norme EN 60950. Les appareils externes branchés doivent également respecter la TBTS.

Sections d'alimentation en air, d'évacuation et de ventilation

Alimentation en air / évacuation d'air

La sècheuse ne peut être utilisée que lorsque les conduites d'évacuation d'air ont été correctement raccordées et que la pièce est suffisamment ventilée.

fr - Consignes d'installation

Calcul de la longueur totale et du diamètre d'un tuyau d'évacuation d'air ou d'alimentation en air

La longueur de la tuyauterie requise, ainsi que le nombre et la forme des coudes sont déterminés par les conditions structurelles sur place. Afin de optimiser l'efficacité de la circulation de l'air, la tuyauterie doit être aussi courte que possible et contenir peu ou pas de coudes.

⚠ La conduite d'évacuation d'air ne doit pas être fabriquée à partir de matériaux inflammables.

Sinon, il existe un risque d'incendie.

Utiliser uniquement des matériaux non inflammables pour la conduite d'évacuation d'air. Toutes les réglementations locales relatives aux conduites d'évacuation métalliques doivent être respectées. Le plastique ne doit pas être utilisé pour la ventilation.

Dans les systèmes de conduite d'évacuation d'air inclinés vers le haut, une évacuation du condensat doit être installée dans la partie inférieure. Le condensat doit être évacué via un bac de récupération d'eau ou d'une vidange au sol placé à un endroit approprié.

Si l'air est dirigé depuis plusieurs appareils vers une ligne combinée (circonstances exceptionnelles), un dispositif anti-retour (clapet anti-retour) doit être installé sur chaque ligne afin d'éviter tout reflux.

Pour faciliter grandement le nettoyage ultérieur des conduites, il convient d'installer, dans la mesure du possible, des clapets de nettoyage sur les coudes.

Les conduites d'évacuation d'air et la ventilation vers l'extérieur sur place doivent être régulièrement contrôlées pour vérifier l'absence de dépôts de peluches, puis nettoyées si nécessaire.

Longueurs des conduites de substitution

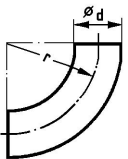
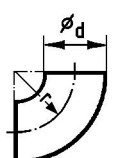
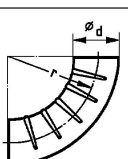
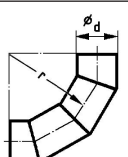
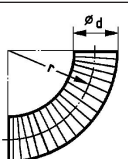
Type de coude	Type	PDR 914/514	PDR 918/518	PDR 922/522	PDR 928/528	PDR 944/544
	Coude de 90° $r = 2d$	1,1 m (3 pi 7 5/16 po)				
	Coude de 45° $r = 2d$	0,7 m (2 pi 3 9/16 po)				
	Coude de 90° $r = d$	1,9 m (6 pi 2 13/16 po)				
	Coude de 45° $r = d$	1,1 m (3 pi 7 5/16 po)				
	Coude de conduite Concertina de 90° $r = 2d$	3,2 m (10 pi 6 po)				
	Coude de conduite Concertina de 45° $r = 2d$	2 m (6 pi 6 3/4 po)				
	Coude segmenté de 90° $r = 2d$ (3 joints soudés)	1,2 m (3 pi 11 1/4 po)				
	Coude de 90°, conduite Westaflex $r = 2d$	1,2 m (3 pi 11 1/4 po)				
	Coude de 90°, conduite Westaflex $r = 4d$	0,9 m (2 pi 11 7/16 po)				
	Coude de 45°, conduite Westaflex $r = 2d$	1 m (3 pi 3 3/8 po)				
	Coude de 45°, conduite Westaflex $r = 4d$	0,8 m (2 pi 7 1/2 po)				
	Clapet anti-retour	12 m (39 pi 4 7/16 po)	12 m (39 pi 4 7/16 po)	7 m (22 pi 11 9/16 po)	7 m (22 pi 11 9/16 po)	6,5 m (21 pi 3 7/8 po)

Tableau 1

Longueur totale admissible maximale de la conduite

Diamètre de conduite minimum interne (conduites en métal)	PDR x18 SI	PDR x22 SI	PDR x28 SI	PDR x44 SI
150 mm (6 po)	15 m (49 po)	12 m (39 pi 4 po)	10 m (32 pi 9 po)	10 m (32 pi 9 po)
180 mm (7 1/16")	38 m (124 pi 8 po)	31 m (101 pi 8 po)	27 m (88 pi 7 po)	24 m (78 pi 8 po)
200 mm (7 7/8")	65 m (213 pi 3 po)	53 m (173 pi 10 po)	48 m (157 pi 5 po)	40 m (131 pi 2 po)
Contre-pression admissible dans la conduite d'évacuation d'air	200 Pa (0.03 psi)	310 Pa (0.04 psi)	510 Pa (0.07 psi)	390 Pa (0.06 psi)

Tableau 2

En cas de raccordement à la conduite d'évacuation par la buse d'évacuation d'un appareil, veiller tout particulièrement à ce que le raccordement soit sécurisé et étanche à l'air.

Dans le cas de conduits complexes comportant de nombreux coudes et composants additionnels, ou lorsque plusieurs machines différentes sont raccordées à une conduite commune, il est recommandé de faire effectuer un détaillé de la tuyauterie soit effectué par un spécialiste qualifié.

fr - Consignes d'installation

La conduite d'évacuation d'air ne doit pas passer dans une cheminée ou un conduit de fumée déjà utilisé pour une installation de chauffage au gaz, au charbon ou au mazout.

L'évacuation d'air chaud et humide doit être dirigée vers l'extérieur ou vers une conduite d'évacuation appropriée par le chemin le plus court possible. La conduite d'évacuation d'air doit être posée de manière à ne pas gêner la circulation de l'air. Pour cela, utiliser le moins de coudes possible, des tuyauteries courtes et des raccords et transitions parfaitement conçus, dont l'étanchéité à l'air a été vérifiée. Aucun filtre ni aucune grille ne doit être inséré dans la conduite d'évacuation d'air.

L'extrémité de la conduite d'évacuation d'air débouchant à l'extérieur doit être protégée contre les éléments, par ex. avec un coude de 90° tourné vers le bas.

 Lorsque la sècheuse est en marche, la pièce doit être suffisamment ventilée.

Ouverture de ventilation de la pièce pour l'admission d'air provenant de la salle d'installation

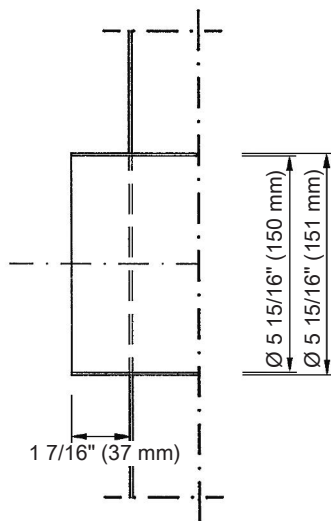
La dimension minimale de l'ouverture de ventilation dépend de la section de la conduite d'évacuation.

Conduite d'évacuation			Dimension minimale de l'ouverture de ventilation		
⊙	□	A	A	⊙	□
150 mm (6 po)	-	177 cm ² (27 7/16 po ²)	531 cm ² (82 5/16 po ²)	260 mm (10 1/4 po)	230 mm (9 1/16 po)
-	150 mm (6 po)	225 cm ² (34 7/8 po ²)	675 cm ² (104 5/8 po ²)	295 mm (11 5/8 po)	260 mm (10 1/4 po)
180 mm (7 1/16 po)	-	254 cm ² (39 3/8 po ²)	762 cm ² (118 1/8 po ²)	315 mm (12 3/8 po)	280 mm (11 po)
-	180 mm (7 1/16 po)	324 cm ² (50 1/4 po ²)	972 cm ² (150 11/16 po ²)	355 mm (14 po)	315 mm (12 3/8 po)
200 mm (7 7/8 po)	-	314 cm ² (48 11/16 po ²)	942 cm ² (146 po ²)	350 mm (13 3/4 po)	310 mm (12 3/16 po)
-	200 mm (7 7/8 po)	400 cm ² (62 po ²)	1200 cm ² (186 po ²)	395 mm (15 9/16 po)	350 mm (13 3/4 po)
220 mm (8 11/16 po)	-	380 cm ² (58 7/8 po ²)	1140 cm ² (176 11/16 po ²)	381 mm (15 po)	377 mm (14 13/16 po)
-	220 mm (8 11/16 po)	484 cm ² (75 po ²)	1452 cm ² (225 1/16 po ²)	430 mm (16 15/16 po)	382 mm (15 1/16 po)
250 mm (9 13/16 po)	-	491 cm ² (76 1/8 po ²)	1473 cm ² (228 5/16 po ²)	435 mm (17 1/8 po)	385 mm (15 3/16 po)
-	250 mm (9 13/16 po)	625 cm ² (96 7/8 po ²)	1875 cm ² (290 5/8 po ²)	490 mm (19 5/16 po)	435 mm (17 1/8 po)
300 mm (11 3/16 po)	-	707 cm ² (109 9/16 po ²)	2121 cm ² (328 3/4 po ²)	520 mm (20 1/2 po)	460 mm (18 1/8 po)
-	300 mm (11 3/16 po)	900 cm ² (139 1/2 po ²)	2700 cm ² (418 1/2 po ²)	590 mm (23 1/4 po)	520 mm (20 1/2 po)

Tableau 3

fr - Consignes d'installation

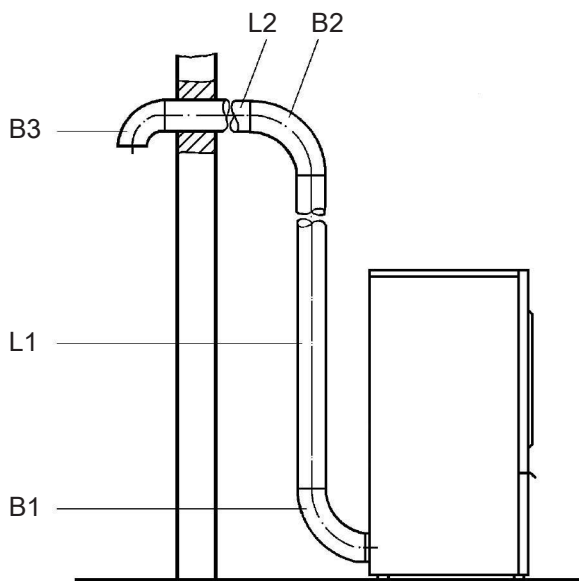
Raccord d'évacuation d'air



Exemple 1

Configuration des conduites d'évacuation en acier pour les sècheuses PDR 914/514 :

- L1, L2 : chaque tuyau en acier de 3 m (9 pi 10 po)
- B1, B2 : chaque coude de tuyau concertina de 90° ($r = 2d$)
- B3 : Coude de 90° ($r = d$)



1. Longueur totale de la conduite

Tuyau en acier	L1 = 3,0 m (9 pi 10 po)
Tuyau en acier	L2 = 3,0 m (9 pi 10 po)
Coude de tuyau Concertina de 90° (r = 2d)	B1 = 3,2 m (10 pi 6 po)*
Coude de tuyau Concertina de 90° (r = 2d)	B2 = 3,2 m (10 pi 6 po)*
Coude de 90° (r = d)	B3 = 1,9 m (6 pi 3 po)*

Longueur totale de la conduite	14,3 m (46 pi 11 po)
---------------------------------------	-----------------------------

* Longueurs des conduites de substitution selon le **Tableau 1**

2. Diamètre de la conduite en fonction de la longueur de tuyau totale

Pour la longueur de tuyau totale calculée de **14,3 m (46 pi 11 po)** d'une PDR 914/514, un diamètre de conduite minimum de **150 mm (6 po)** est spécifié pour la conduite d'évacuation d'air **selon le Tableau 2**.

fr - Consignes d'installation

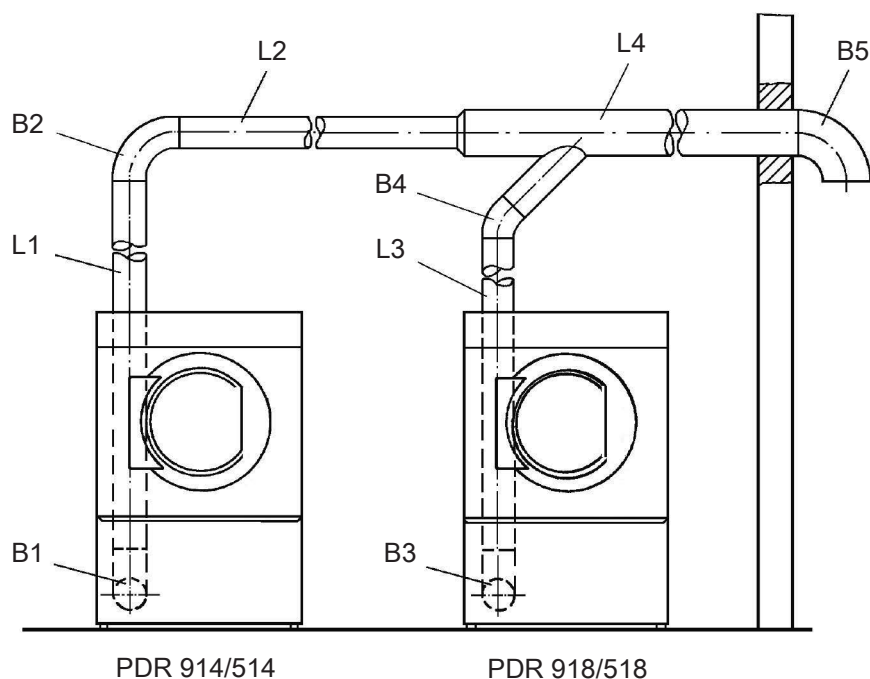
Exemple 2

Les conduites d'évacuation d'air combinées communes de plusieurs appareils doivent être considérées comme une solution uniquement dans des cas exceptionnels.

Configuration des conduites d'évacuation d'air combinées en acier pour les sècheuses des séries PDR 914/514 et PDR 918/518 :

- L1-L4 chaque tuyau en acier de 2 m (6 pi 6 po)
- B1-B3 chaque coude de tuyau Concertina de 90° ($r = 2d$)
- B4 Coude de 45° ($r = 2d$)
- B5 Coude de 90° ($r = d$)

Si l'évacuation depuis plusieurs appareils doit être acheminée vers une ligne combinée, un dispositif anti-retour doit être installé sur chaque ligne afin d'éviter tout reflux.



1. Longueur de tuyau totale PDR 914/514

Tuyau en acier	L1 = 2,0 m (6 pi 6 po)
Tuyau en acier	L2 = 2,0 m (6 pi 6 po)
Tuyau en acier	L4 = 2,0 m (6 pi 6 po)
Coude de tuyau Concertina de 90° (r = 2d)	B1 = 3,2 m (10 pi 6 po)*
Coude de tuyau Concertina de 90° (r = 2d)	B2 = 3,2 m (10 pi 6 po)*
Coude de 90° (r = d)	B5 = 1,9 m (6 pi 3 po)*

Longueur totale de la conduite **14,3 m (46 pi 11 po)**

* Longueurs de tuyau de substitution selon le **Tableau 1**

2. Diamètre du tuyau en fonction de la longueur de tuyau totale

Longueur de tuyau totale = **14,3 m (46 pi 11 po)**

Longueur totale admissible maximale du tuyau 19 m (62 pi 4 po) = **Ø 150 mm (6 po)** du diamètre de tuyau interne (voir le Tableau 2)

3. Longueur de tuyau totale PDR 918/518

Tuyau en acier	L3 = 2,0 m (6 pi 6 po)
Tuyau en acier	L4 = 2,0 m (6 pi 6 po)
Coude de tuyau Concertina de 90° (r = 2d)	B3 = 3,2 m (10 pi 6 po)*
Coude de 45° (r = 2d)	B4 = 0,7 m (2 pi 3 po)*
Coude de 90° (r = d)	B5 = 1,9 m (6 pi 2 po)*

Longueur totale de la conduite **9,8 m (32 pi 1 13/16 po)**

* Longueurs de tuyau de substitution selon le **Tableau 1**

4. Diamètre du tuyau en fonction de la longueur de tuyau totale

Longueur de tuyau totale = **9,8 m (32 pi 1 13/16 po)** (PDR 918/518)

Longueur totale admissible maximale du tuyau 15 m (49 pi 2 po) = **Ø 150 mm (6 po)** du diamètre de tuyau interne (voir le Tableau 2)

fr - Consignes d'installation

5. Diamètre total de la conduite

Selon le Tableau 3

Diamètre de conduite PDR 914/514	$\emptyset 150 \text{ mm (6 po) = } 177 \text{ cm}^2$ $(27 \frac{3}{8} \text{ po}^2)$
-------------------------------------	--

Diamètre de conduite PDR 918/518	$\emptyset 150 \text{ mm (6 po) = } \underline{177 \text{ cm}^2}$ $(\underline{27 \frac{3}{8} \text{ po}^2})$
-------------------------------------	--

Section totale A	$= 354 \text{ cm}^2 (54 \frac{13}{16} \text{ po}^2)$
------------------	--

Diamètre total de la conduite	$= \emptyset 220 \text{ mm (8 } \frac{11}{16} \text{ po)}$
--	--

Exemple 3

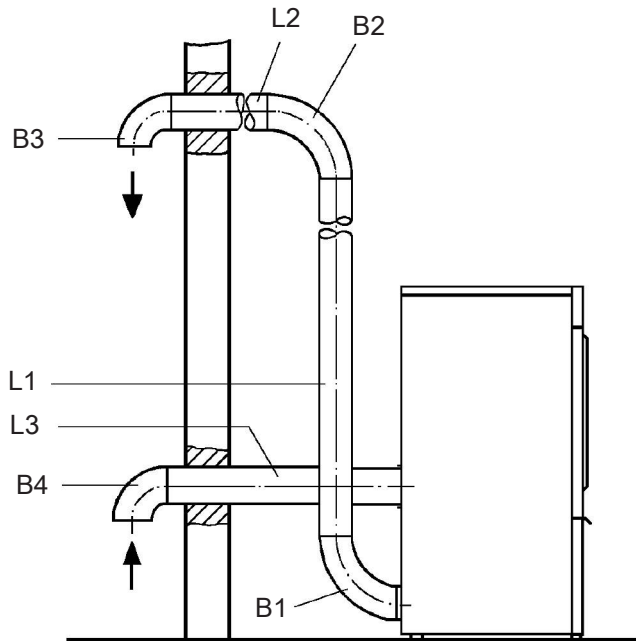
Configuration de la conduite d'évacuation d'air et d'un tuyau d'alimentation en tôle pour la sècheuse des séries PDR 914/514 :

L1, L2 : chaque tuyau métallique de 2,0 m (6 pi 6 po)

L3 : tuyau métallique de 2,5 m (8 pi 2 po)

B1, B2 : chaque coude de tuyau Concertina de 90°

B3, B4 : chaque courbure de 90° (r = d)



1. Longueur totale de la conduite

Tuyau en acier	L1 = 2,0 m (6 pi 6 po)
Tuyau en acier	L2 = 2,0 m (6 pi 6 po)
Tuyau en acier	L3 = 2,5 m (8 pi 2 po)
coude de tuyau Concertina de 90°	B1 = 3,2 m (10 pi 6 po)*
coude de tuyau Concertina de 90°	B2 = 3,2 m (10 pi 6 po)*
Coude de 90° (r = d)	B3 = 1,9 m (6 pi 3 po)*
Coude de 90° (r = d)	B4 = 1,9 m (6 pi 3 po)*
Longueur totale de la conduite	16,7 m (54 pi 9 1/2 po)

* Longueurs de tuyau de substitution selon le **Tableau 1**

fr - Consignes d'installation

2. Diamètre du tuyau en fonction de la longueur de tuyau totale

Pour la longueur de tuyau totale calculée de **16,7 m (54 pi 9 po)** pour une PDR 914/514, un diamètre de tuyau minimum de **150 mm (6 po)** est spécifié pour la conduite d'évacuation d'air et le tuyau d'alimentation **selon le Tableau 2**.

Configuration de l'ouverture de ventilation de la pièce

⚠ Les pièces dans lesquelles des repasseuses et des sécheuses sont utilisées doivent disposer d'un système d'aération forcée (par ex. des fentes d'aération dans les fenêtres et les portes, des percées de mur avec des grilles, ou des claires-voies ou des fenêtres ouvertes).

Pour l'exemple 1

Un diamètre de tuyau de **150 mm (6 po)** a été spécifié dans l'exemple 1. Selon ce diamètre de tuyau, une ouverture de ventilation de la pièce d'une dimension de **531 cm (17 pi 5 po)** est requise. La longueur du bord est de **230 mm (9 1/16 po)** (voir le Tableau 3).

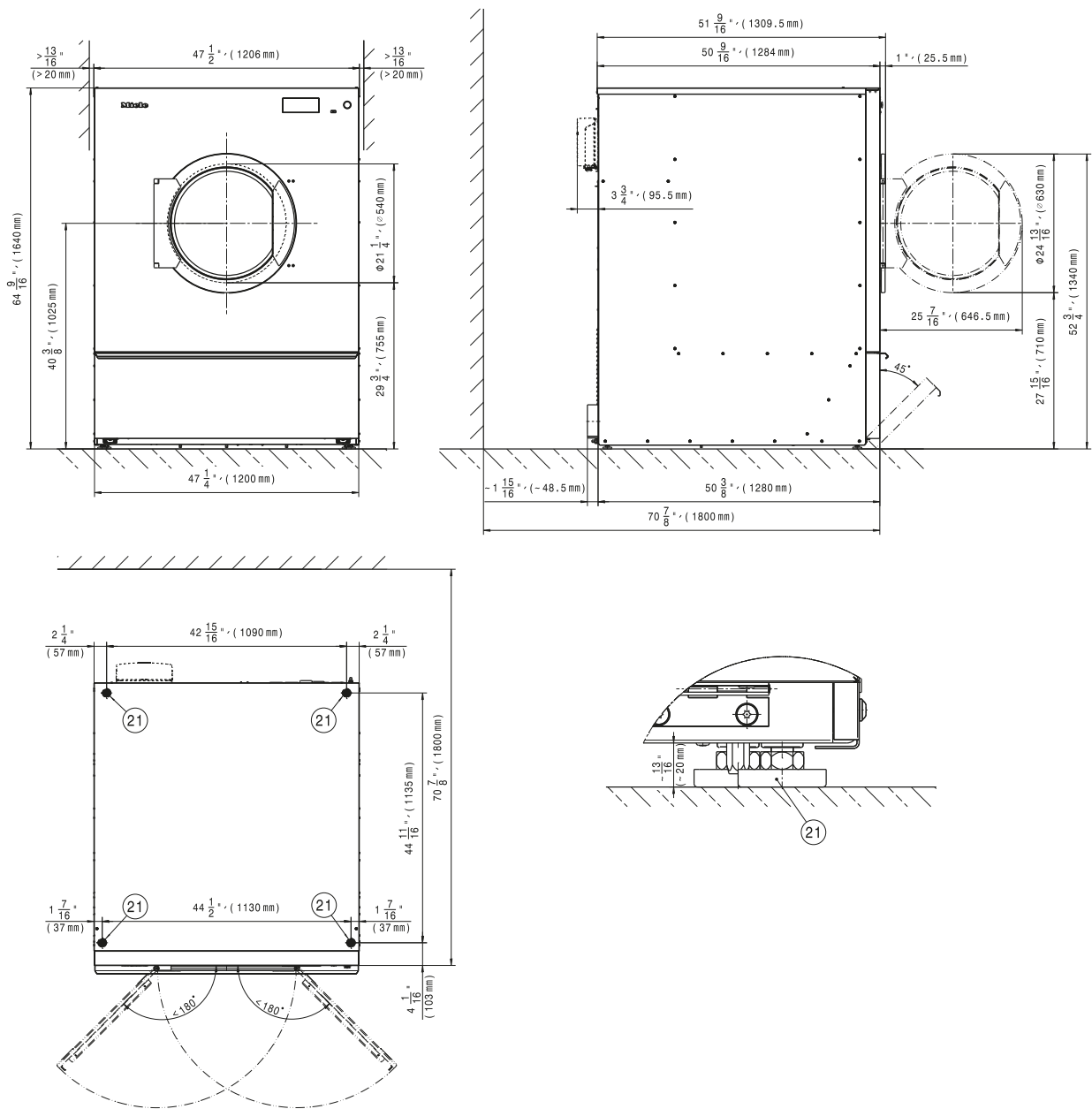
Pour l'exemple 2

Un diamètre de tuyau total de **220 mm (8 11/16 po)** a été spécifié. Selon ce diamètre de tuyau, une ouverture de ventilation de la pièce d'une dimension de **1140 cm (37 pi 4 po)** est requise. La longueur du bord est de **377 mm (14 13/16 po)** (voir le Tableau 3).

Pour l'exemple 3

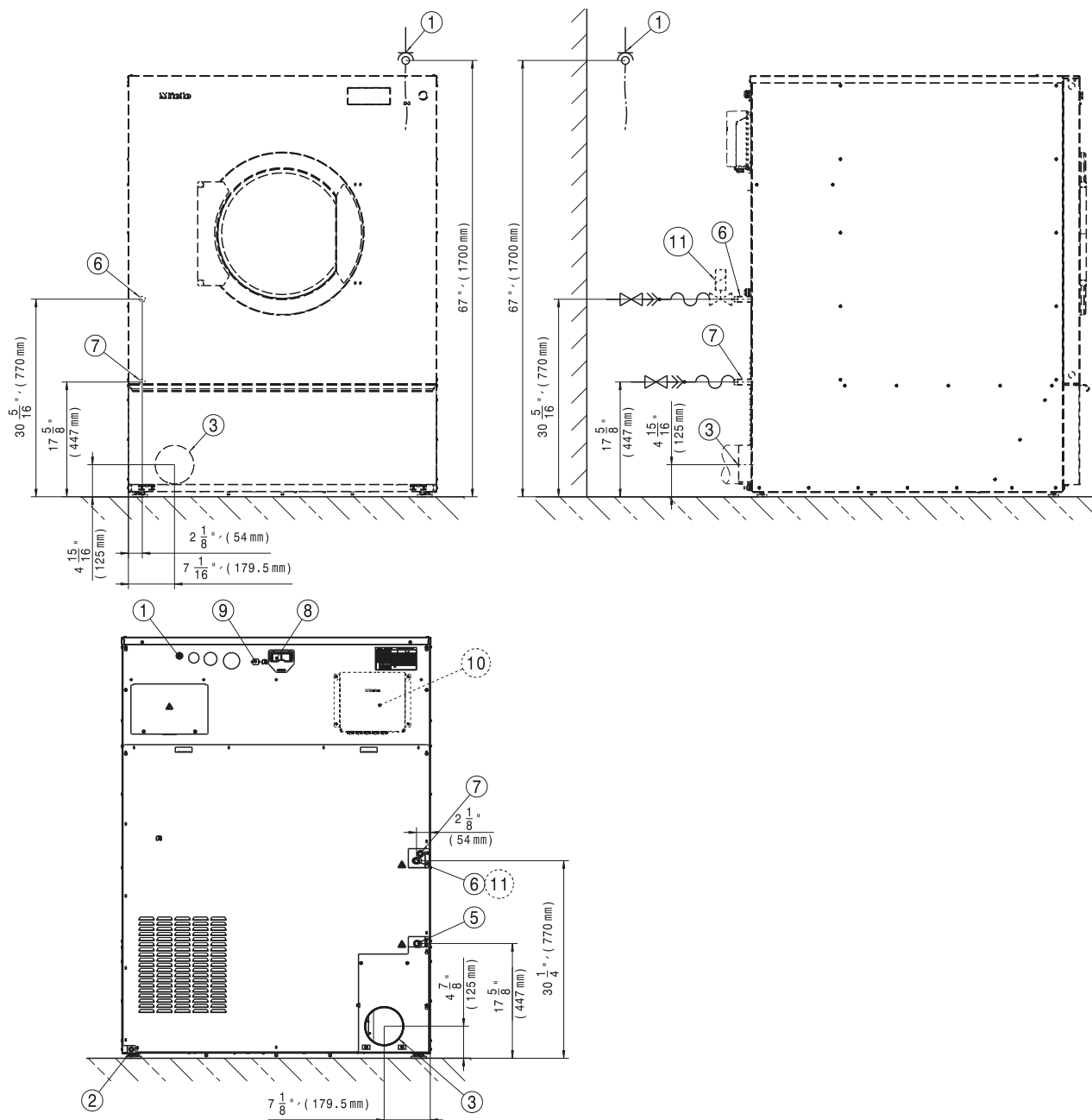
Comme dans ce cas la sécheuse est raccordée à un système central d'alimentation en air, des ouvertures de ventilation supplémentaires ne sont pas nécessaires.

Dimensions



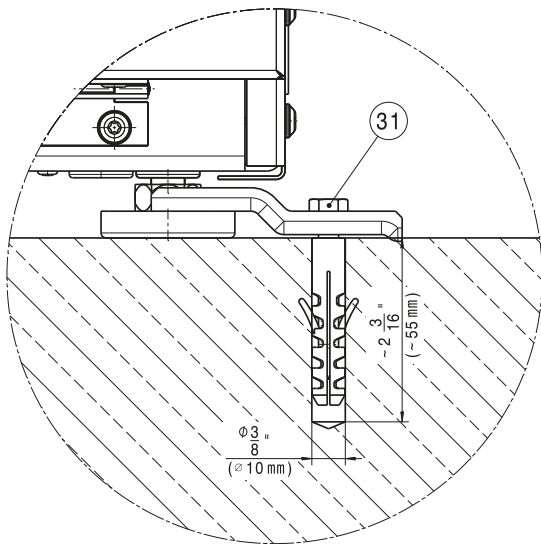
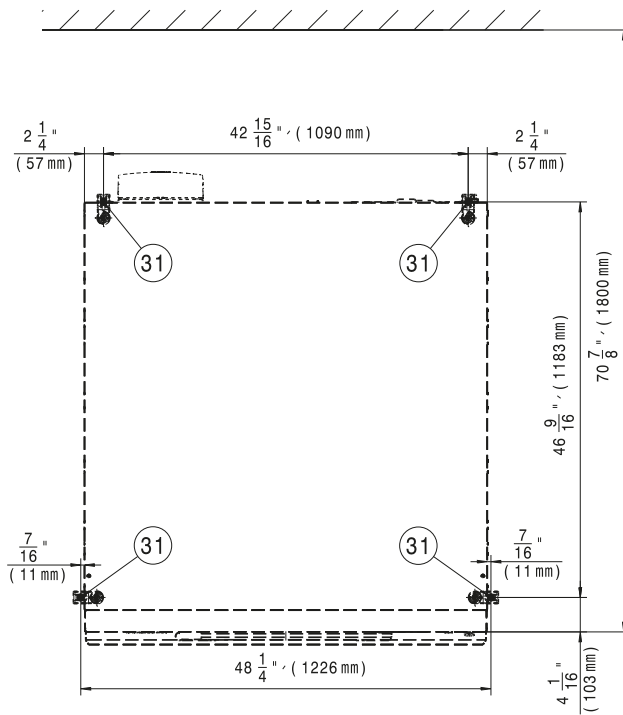
② Pied à visser

Installation



- ① Raccordement électrique
- ② Raccordement pour liaison équipotentielle
- ③ Conduite d'évacuation d'air
- ⑤ Raccordement des condensats
- ⑥ Raccordement à la vapeur
- ⑦ Raccordement pour vanne de vapeur
- ⑧ Raccordement pour module de communication
- ⑨ Raccordement pour boîtier de communication
- ⑩ Boîtier de communication (en option)
Pour configurer une connexion avec des systèmes externes
- ⑪ Vanne de vapeur

Ancrage au sol



③① Trou de forage / Point d'ancrage

fr - Caractéristiques techniques

Variantes de tension possibles

208/240 V 60 Hz 3 Ph

Tension électrique	208/240 V
	60 Hz
	3 Ph
Total ampères	10 A
Fusible maximum (fusible temporisé)	15 A
Courant minimum	12.5 A

Évacuation d'air

Débit d'air	1 150 m ³ /h
Perte de pression maximale autorisée	390 Pa (0,06 psi)
Température d'évacuation d'air maximale	80 °C (175 °F)
Taux d'évaporation maximal	33 kg/h (72,8 lb/h)
Raccord d'évacuation d'air sur le côté de l'appareil	6 po (DN 150)

L'humidité relative à l'intérieur de la conduite d'évacuation d'air pouvant atteindre 100 %, des mesures appropriées doivent être prises pour éviter le reflux de condensats dans l'appareil.

Alimentation en air

Raccordement standard : entrée d'air depuis le lieu d'installation

Section d'entrée d'air libre recommandée dans la pièce : 942 cm² (146 po²)
(équivalente à 3 fois la section d'évacuation d'air d'un appareil).

L'entrée d'air sur le lieu d'installation doit être suffisante pour compenser le volume de sortie d'air.

Raccordement alternatif : raccordement d'entrée d'air directement depuis l'extérieur

Manchon de raccordement côté appareil (diamètre interne)	161 mm (6 5/16 po)
Tube de raccordement fourni sur place (diamètre externe)	160 mm (6 5/16 po)

Le retrait du cache de protection expose les parties sous tension. Pour des raisons de sécurité, un tube doit être installé à partir de l'entrée d'air centrale de la sècheuse (sur une longueur minimale de 900 mm (35 7/16 po)) et sécurisé par 2 vis.

Raccordement à la vapeur

Pression nominale du côté haute pression	0,6–1 MPa (87–145 psi)
Point d'ébullition	165–184 °C (329–363 °F)
Débit massique, capacité de pointe	40,5 kW
Raccord fileté sur place pour vapeur (filetage interne)	½ po
Longueur du câble de raccordement de vanne de vapeur	500 mm (19 11/16 po)

La vanne de vapeur, le filtre à impuretés et le robinet d'arrêt de vapeur doivent être installés par le client sur place.
La vanne de vapeur doit être installée à proximité immédiate du raccordement de la vapeur.

Raccordement des condensats

Raccord fileté sur place (filetage interne)	½ po
---	------

Les dispositifs d'arrêt et le purgeur de condensats doivent être installés par le client sur place.

Liaison équipotentielle

Raccordement avec un filetage mâle	10 × 35 mm
Rondelles et écrous	M10

Les accessoires pour effectuer une liaison équipotentielle ne sont pas fournis et doivent être commandés séparément.

Boîtier de communication APDR 002 (accessoire en option)

Raccordement électrique	~ 200–240 V, 50/60 Hz
Hauteur nette	243 mm (9 9/16 po)
Largeur nette	298 mm (11 3/4 po)
Profondeur nette	96 mm (3 3/4 po)
Hauteur brute (emballage inclus)	145 mm (5 11/16 po)
Largeur brute (emballage inclus)	292 mm (11 1/2 po)
Profondeur brute (emballage inclus)	595 mm (23 7/16 po)
Poids net	3,4 kg (7,5 lb)
Poids brut (emballage inclus)	3,75 kg (8,274 lb)

Caractéristiques de l'appareil

Largeur totale de l'appareil	1206 mm (47 1/2 po)
Hauteur totale de l'appareil	1640 mm (64 9/16 po)
Profondeur totale de l'appareil	1384 mm (54 1/2 po)
Largeur de la niche	1550 mm (61 po)
Espacement minimum des murs (jusqu'à l'arête arrière du couvercle)	500 mm (19 11/16 po)
Largeur de l'emballage	1390 mm (54 3/4 po)
Hauteur de l'emballage	1766 mm (69 1/2 po)
Profondeur de l'emballage	1474 mm (58 1/16 po)
Volume brut maximal	3618,3 l (956 gal)
Poids brut maximal	369,4 kg (814 lb)
Poids net maximal	351,3 kg (774 lb)
Charge max. au sol en fonctionnement	4094 N
Diamètre de la conduite d'évacuation d'air	150 mm (5 7/8 po)
Diamètre du tambour	1100 mm (43 5/16 po)
Diamètre de l'ouverture du tambour	520 mm (20 1/2 po)
Profondeur du tambour	876 mm (34 1/2 po)
Volume du tambour	800 l (211 gal)
Diamètre de l'ouverture de porte	520 mm (20 1/2 po)
Angle d'ouverture maximum de la porte	180°
Niveau de pression acoustique d'émission	63 dB(A) re 20 µPa
Niveau de puissance acoustique	72 dB(A)
Taux de dissipation thermique moyen dans la pièce	4 MJ/h
Plage de température ambiante autorisée en fonctionnement	2–40 °C (36–104 °F)

Miele

**Please have the model and serial number
of your machine available when
contacting Technical Service.**

U.S.A.

Miele, Inc.

National Headquarters

9 Independence Way
Princeton, NJ 08540
Phone: 800-991-9380
www.mieleusa.com/professional
prosales@mieleusa.com

Technical Service & Support

Phone: 800-991-9380
proservice@mieleusa.com

Canada

**Importer
Miele Limited**

Professional Division

161 Four Valley Drive
Vaughan, ON L4K 4V8
Phone: 1-888-325-3957
www.mieleprofessional.ca
professional@miele.ca

Miele Professional Technical Service

Phone: 1-888-325-3957
serviceprofessional@miele.ca



Manufacturer: Miele & Cie. KG
Carl-Miele-Straße 29, 33332 Gütersloh, Germany