

Items supplied:

Mobile unit E 915/3 equipped with:

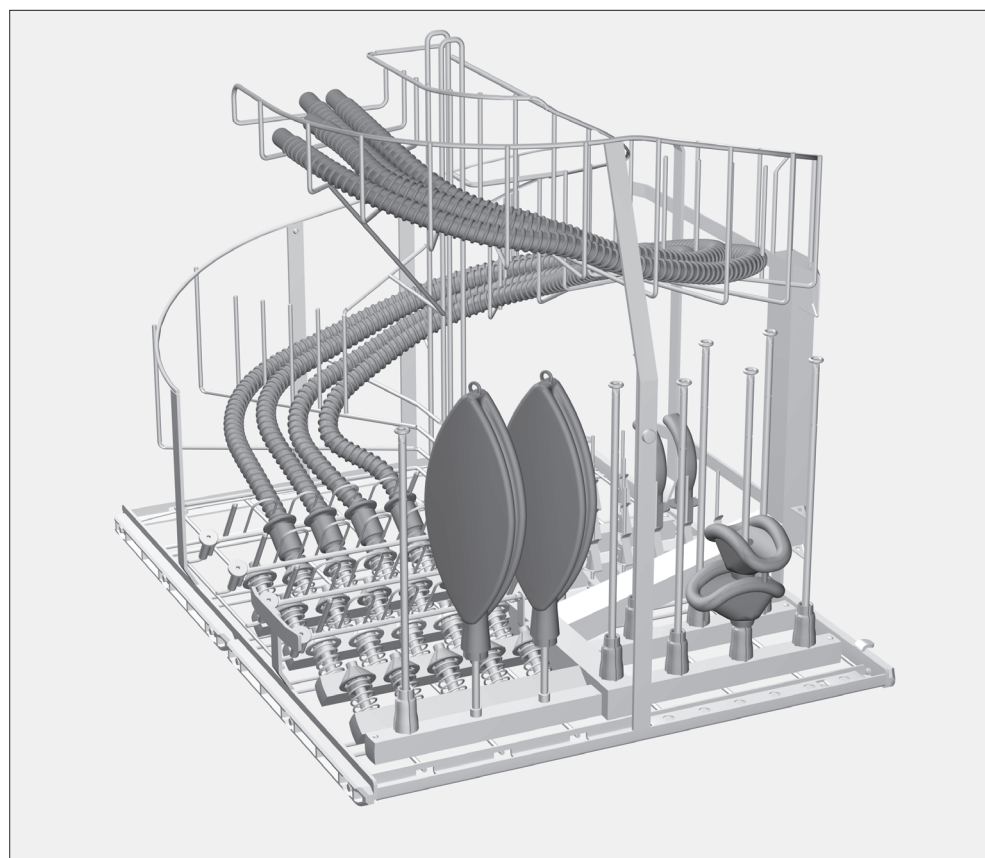
- 20 spring-loaded fittings Ø 12 mm for breathing tubes up to 1.5 m long
- 4 x E 917 holders for silicone breathing tubes
- 10 x E 466 injector jets for breathing bags
- 18 x E 496 injector jets e. g. for Guedel or endotracheal tubes
- 1 magnetic strip for automatic mobile unit recognition

supplied as separate items:

- 1 x E 431 injector jet for bellows
- 1 x E 142 mesh tray for small items
- 1 x E 918 holder for paediatric breathing tubes
- 1 x E 916 holder for concertina breathing tubes

Accessories available to order:

- cover net A 810 220 x 428 mm



⚠ Please read the Warning and Safety instructions in the Operating Instructions for your G 7827/28 and PG 8527/28 Washer-disinfector carefully. You should only process instruments/medical products in this mobile unit if they have been declared as suitable for machine processing by the manufacturer. Please also observe the manufacturer's care instructions. The programme selected must be suitable for the materials from which the medical products to be processed are made. Where possible the programme should include thermal disinfection.

Areas of application:

The E 915/3 Mobile injector unit is designed for cleaning, disinfecting and drying hollow anaesthetic instruments and materials.

Special holders and injector jets are used for securing breathing tubes, breathing bags, Guedel tubes and endotracheal tubes, breathing masks and bellows.

The diagram of the mobile unit shows the layout for individual holders and injector jets.

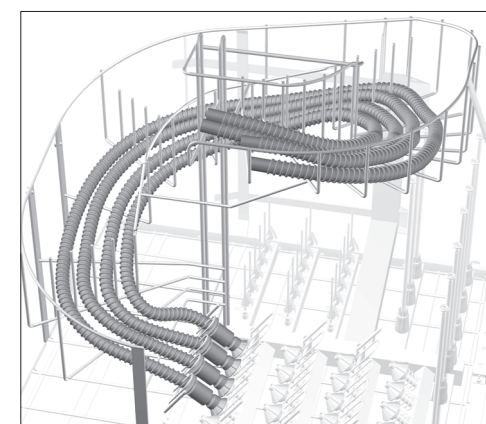
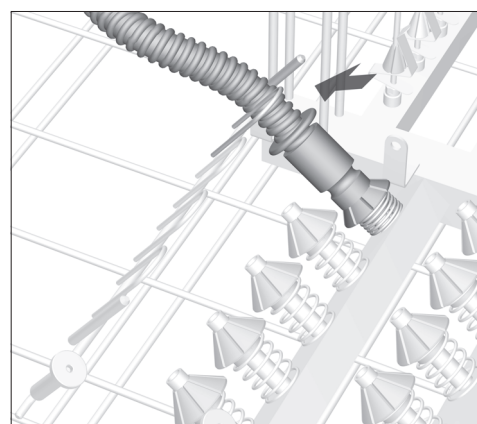
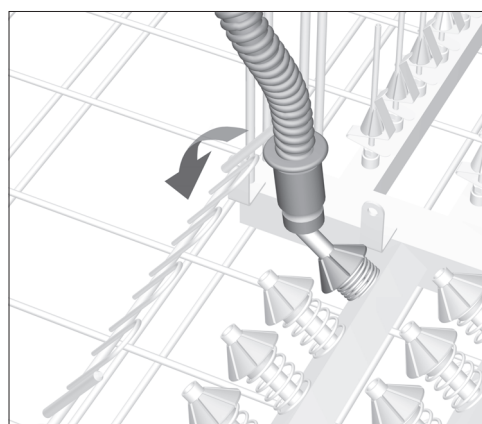
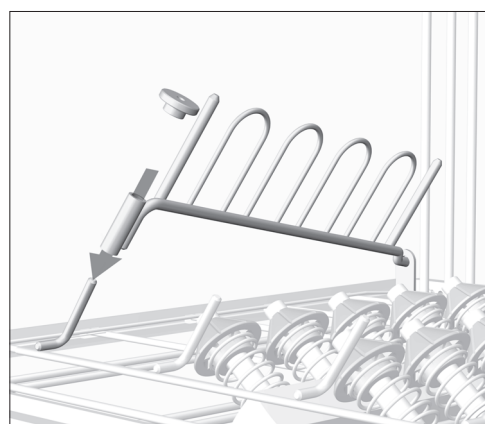
⚠ To ensure a suitable standardised spray pressure for all connections, all screw connectors must be fitted with jets, adapters, sleeves or blanking screws. Damaged jets, adapters or sleeves etc. must not be used.

Empty jets, etc. do not have to be replaced with blanking screws.

The mobile injector unit is designed for the most commonly used silicone breathing tubes. The holder on the left hand side of the unit must be replaced before cleaning breathing tubes of a different diameter or material.

The mobile injector unit is supplied with one holder for paediatric breathing tubes and one for concertina breathing tubes.

⚠ To ensure that hollow instruments are thoroughly cleaned and disinfected internally, it is essential to connect them to the correct fittings in the mobile injector unit. They must not detach themselves from their holders/jets during the programme! If, however, a hollow instrument does become dislodged from its holder/jet during a programme it must be processed again.



Where necessary:

- Loosen the knurled nut on the holder to be replaced.
- Remove the holder.
- Insert the holder required in the mobile unit.
- Secure the new holder in position with the knurled nut.

- When attaching the breathing tubes start with the last row of holders and work from the inside outwards.

To do this:

- Fit the breathing tubes onto the jets and press the cone 1 to 2 cm downwards to tension the spring.

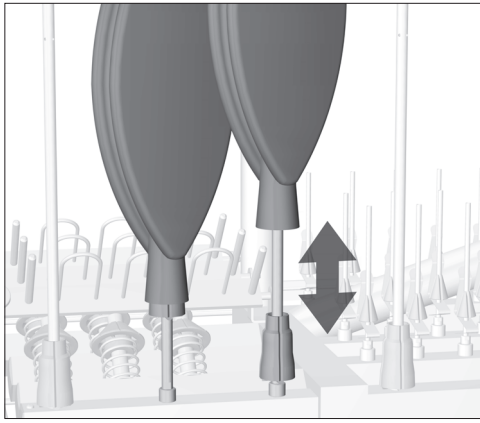
- Fit each breathing tube between two retainer hoops.

The breathing tubes must be secured by the hoops to prevent them being dislodged from the spring-loaded fittings by the force of the water pressure during the cleaning process.

The breathing tubes have been attached correctly when the springs on the jets are under tension.

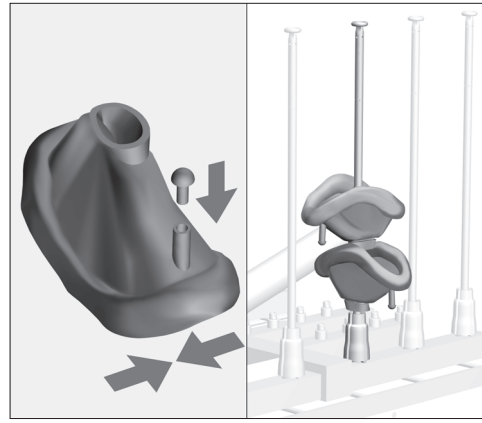
- Arrange the breathing tubes parallel to each other along the spiral.

⚠ The breathing tubes must not hang down through the spiral as water would remain in the folds.

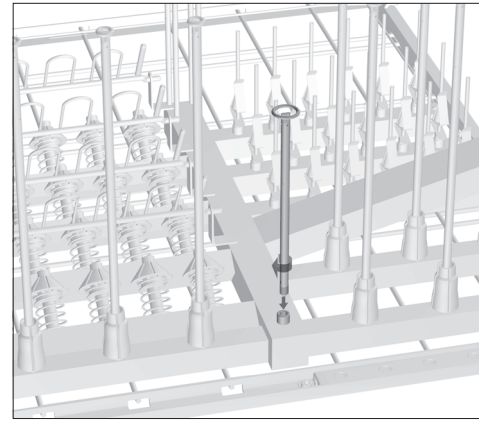


- Fit the breathing bags onto the injector jets.
- Make sure the opening of the breathing bag fits securely over the plastic cone. This will prevent the breathing bag from sticking together during the cleaning and drying process.

The breathing bag is attached correctly when it cannot dislodge itself from the plastic cone.



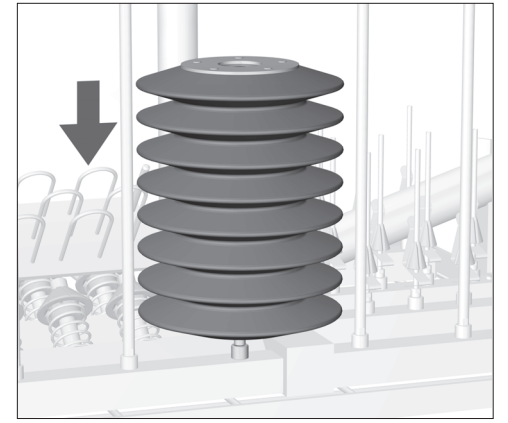
- Remove the stopper from breathing masks which have a closable air cushion. Expel as much air as possible and then replace the stopper.
- Several breathing masks can be placed onto one breathing bag injector jet.



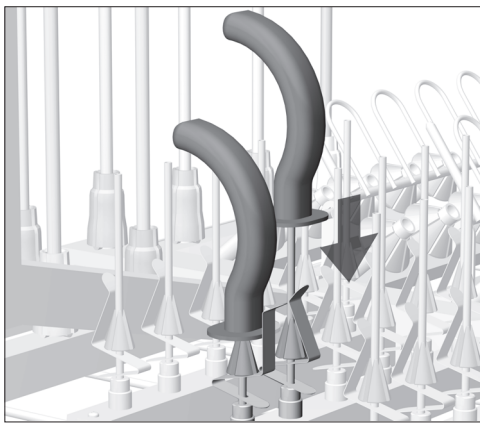
If bellows are to be processed, one of the E 466 injector jets must be replaced with a special E 431 injector jet for bellows which has a larger support ring.

To do this:

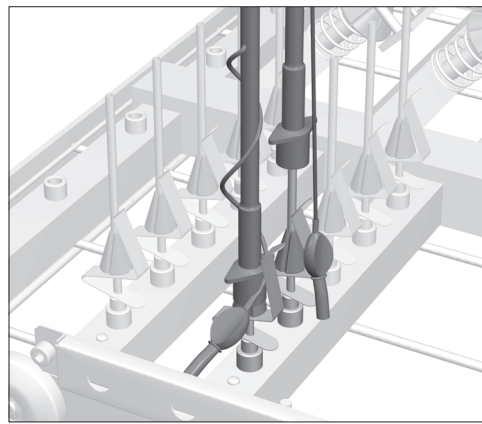
- Use a 7 mm spanner to unscrew one of the E 466 injector jets.
- Then screw the E 431 injector jet into the vacated position and tighten with the spanner.



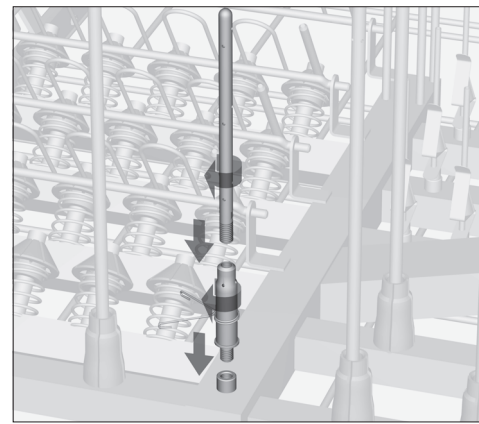
- Fit the bellows onto the E 431 injector jet.



- Attach Guedel tubes to injector jets with spring clips.

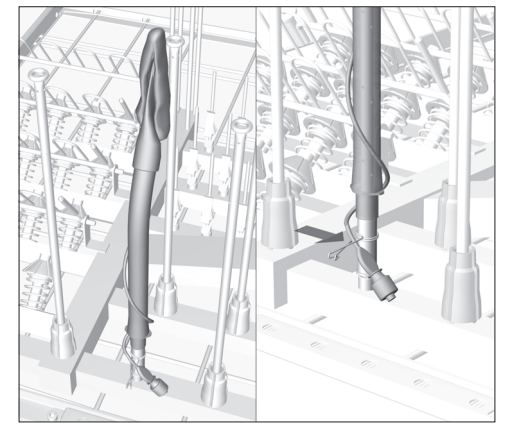


- Endotracheal tubes are fitted onto the injector jets so that spring clips secure it to the jet.
- Place the balloon lead with the valve behind the spring clip.

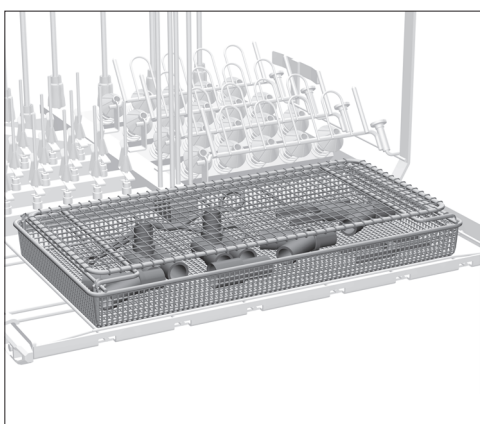


A special combination of E 464 and E 454 jets (optional extra) is required for processing larynx masks.

- Remove the height adjustment spring from injector jet E 454.
- Screw injector jet E 454 onto the E 464 fitting.
- Now screw the jet combination into the position released by one of the E 466 injector jets and tighten with a 7 mm spanner.



- Expel as much air as possible from the larynx mask.
- Attach the larynx mask to the jet combination.
- Attach the balloon lead with the valve to the spring clip.



- Arrange small items, such as Y-pieces, couplings or connectors in mesh tray E 142.
- Lightweight items should be secured with a cover net to prevent them blocking the spray arms or being caught up with the magnetic strip on the automatic mobile unit recognition system.

⚠ Observe permissible drying temperatures to prevent any premature material changes. The maximum temperature permitted for the elastomers in some breathing bags and masks is below 85°C.

⚠ It is essential that the drying result is checked at the end of a cleaning programme. The inside of concertina tubes, in particular, must be completely dry to avoid the growth of water borne bacteria. The cleaning programme drying time must be adapted where necessary.