

⚠ Please read and observe the Warning and Safety instructions given in the operating instructions for the washer-disinfector. You should only process instruments/medical devices in this insert if they have been declared as suitable for machine processing by the manufacturer and please also observe the manufacturer's care instructions. The processing programme used should include thermal disinfection, and must be suitable for the material quality of the wash load. The final rinse should, if possible, always be carried out with demineralised water. If using automatic mobile unit recognition, please make sure that the coding is correct.

Items supplied:

Insert E 903/1, H 40, W 461, D 510 mm, fitted with:

- 10 connectors for adapters, irrigation sleeves and nozzles
- 1 rail for positioning long instruments

The insert is supplied with:

- 3 x E 442 irrigation sleeves for instruments, length 121 mm, Ø 11 mm, with cap Ø 6 mm
- 1 Luer lock adapter ♀ for Luer lock ♂ E 447
- 4 x E 448 silicone tubes with screw connection, length 300 mm, Ø 5 mm and Luer lock adapter ♀
- 3 x E 453 injector nozzles, 4.0 x 110 mm with retaining clip and screw connection
- 3 x E 467 irrigation sleeves for instruments / clip applicators, length 205 mm, Ø 11 mm
- 3 x E 469 irrigation sleeves for instruments / urology, length 300 mm, Ø 11 mm, with cap Ø 6 mm
- 1 x E 907/1 mesh tray with lid for small parts

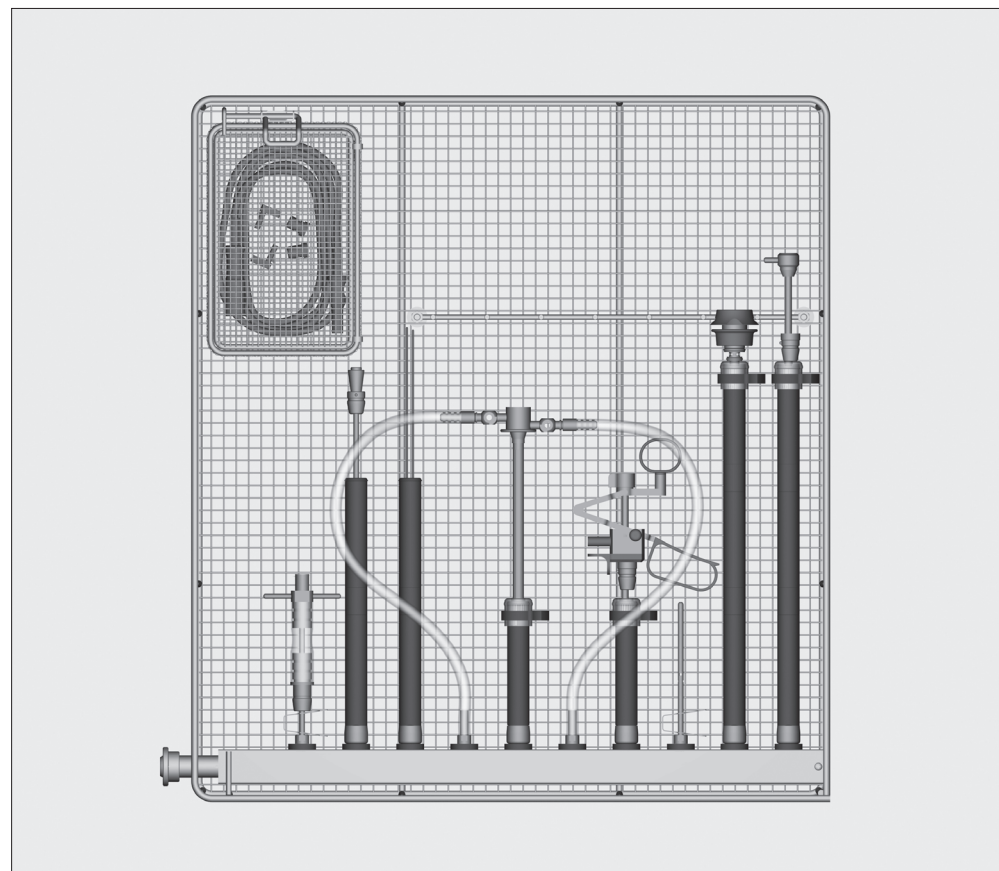
The following are supplied for use in the mobile unit:

- 2 m silicone tubing, Ø 5 mm
- 1 x E 454 injector nozzle for bladder syringes, with screw connection
- 2 plastic supports for bladder syringes
- 1 x E 444 for fibre optic cables and suction tubes. The insert comes with its own instructions.

Area of application:

Insert E 903/1 can be used in mobile units E 474/4, E 574/1, E 774/1, E 902/1 and E 902/3. The mobile units are supplied with their own operating instructions

The insert is designed for the cleaning and disinfection of TUR sets (transurethral resection) / Urology.



Before loading the machine and before starting a programme, please check:

- that the silicone holders in the injector manifold are all present and undamaged.

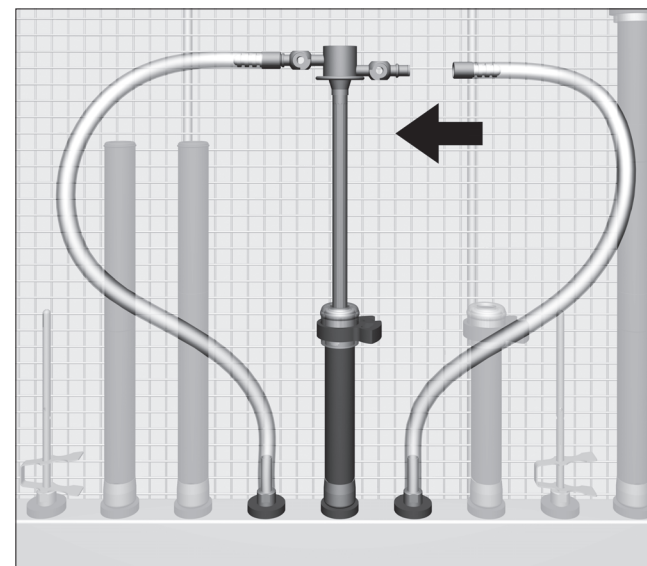
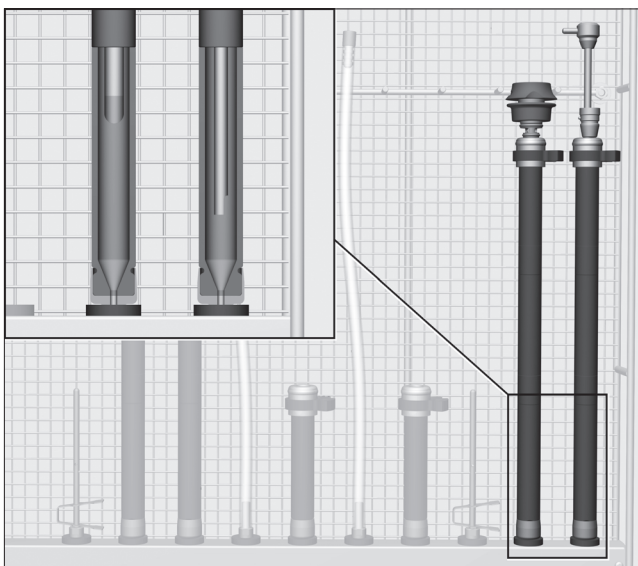
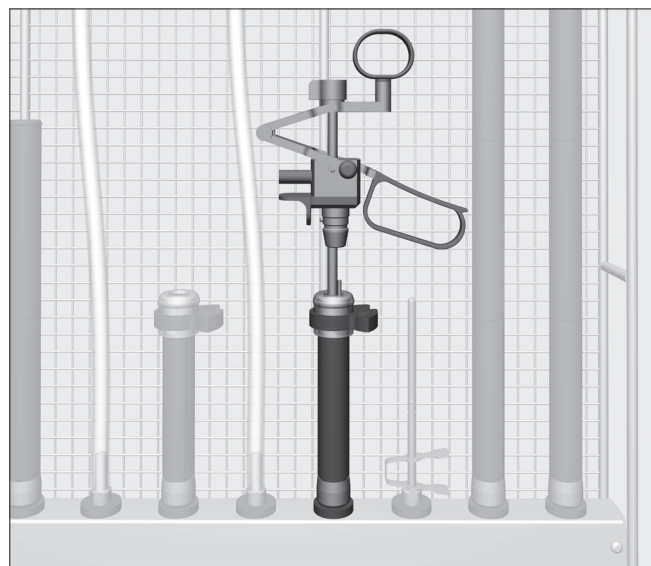
⚠ Missing or damaged silicone holders must be replaced by new ones. Only then may the insert be used again. If these conditions are present the silicone holders will standardise the pressure themselves. Damaged equipment such as nozzles, adapters, or irrigation sleeves must not be used.

For validation purposes please make sure that you follow the loading instructions given on the template.

⚠ All instruments must be dismantled before processing in accordance with their manufacturer's instructions. Narrow-lumened and shaft instruments which cannot be dismantled must be pre-washed in accordance with their manufacturer's instructions.

⚠ Before connecting hollow instruments make sure that hollow sections are free of blockages. Otherwise the cleaning solution will not be able to access all areas properly. Ensure that individual instruments do not touch each other during cleaning and disinfection. Hollow instruments that have worked free from adapters during cleaning must be reprocessed.

The diameter of the instruments and apertures in irrigation sleeves or caps should match each other.



Resectoscopes

- Shafted instruments that cannot be dismantled, e.g. resectoscopes, should be fitted in an irrigation sleeve.

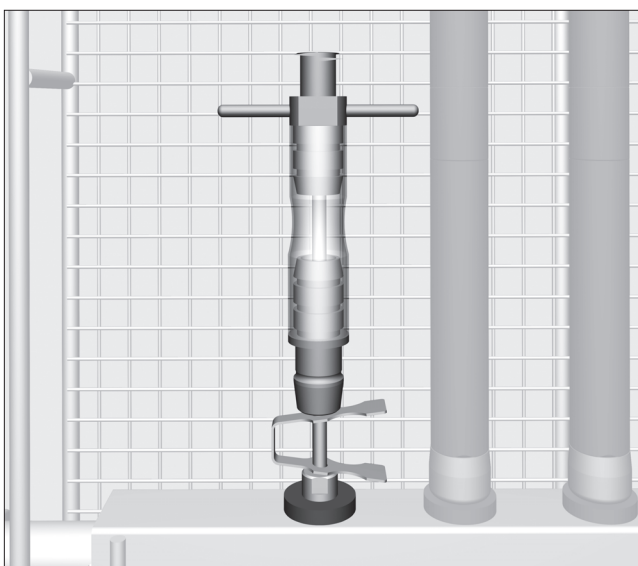
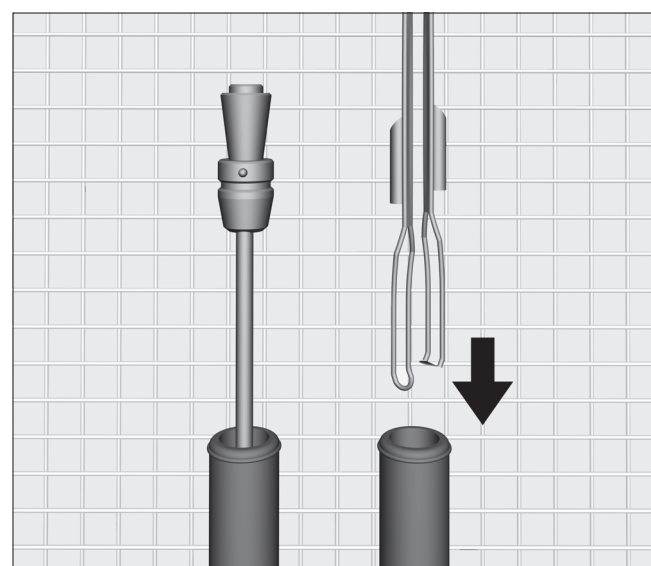
Resectoscope shafts

Resectoscope shafts with ceramic tips must not touch the bottom of the irrigation sleeve.

- Fit the resectoscope shaft in the irrigation sleeve.

- Connect side connections with an E 448 hose adapter.
- Connect the hose adapter to the injector manifold with a silicone holder.

⚠ Unused hose adapters must be removed from their silicone holders. Otherwise the loose ends will be spun around by the force of water. This can lead to damage.



Obturers, HF forceps and electrodes

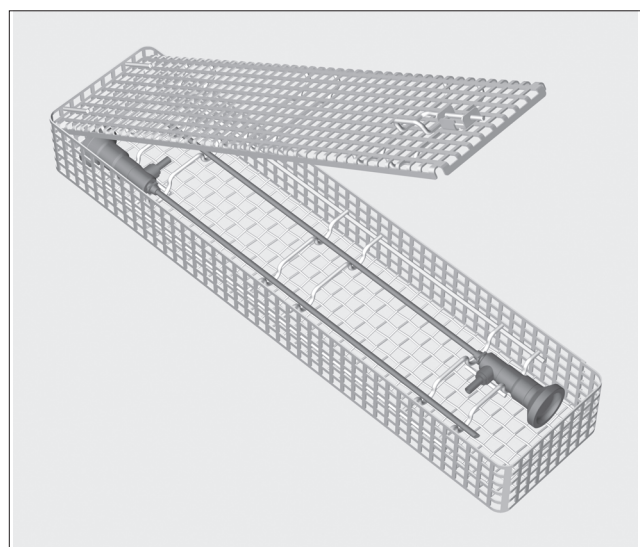
- Fit obturators in irrigation sleeves.
- Fit HF forceps and electrodes in irrigation sleeves with the functional ends facing downwards.

Insert for bladder syringe

- Fit connector for bladder syringe on injector nozzle E 453.

Small items

- Place small items such as HF cables, connectors and removable valves (where applicable) in a lidded E 907/1 mesh tray.
- Hook the locked mesh tray in the top left hand side of the insert.



Optics

⚠ To avoid mechanical damage only process optical instruments in inserts made by the optical instrument manufacturer or in the special E 460 insert.

- Place the insert containing optical instruments in the lower level or on the rack in the mobile unit.