

⚠ Please observe the Warning and Safety instructions in the Operating instructions for your G 7823/24 washer-disinfector carefully. You should only process instruments/medical products in this mobile unit if they have been declared as suitable for machine processing by the manufacturer. Please also observe the manufacturer's care instructions. The programme selected must be suitable for the materials from which the items to be processed are made. Where possible the programme should include thermal disinfection. The final rinse should, if possible, always be carried out with fully de-mineralised water. If using automatic mobile unit recognition please make sure that the coding is correctly set.

Items supplied:

Mobile unit E 529 equipped with:

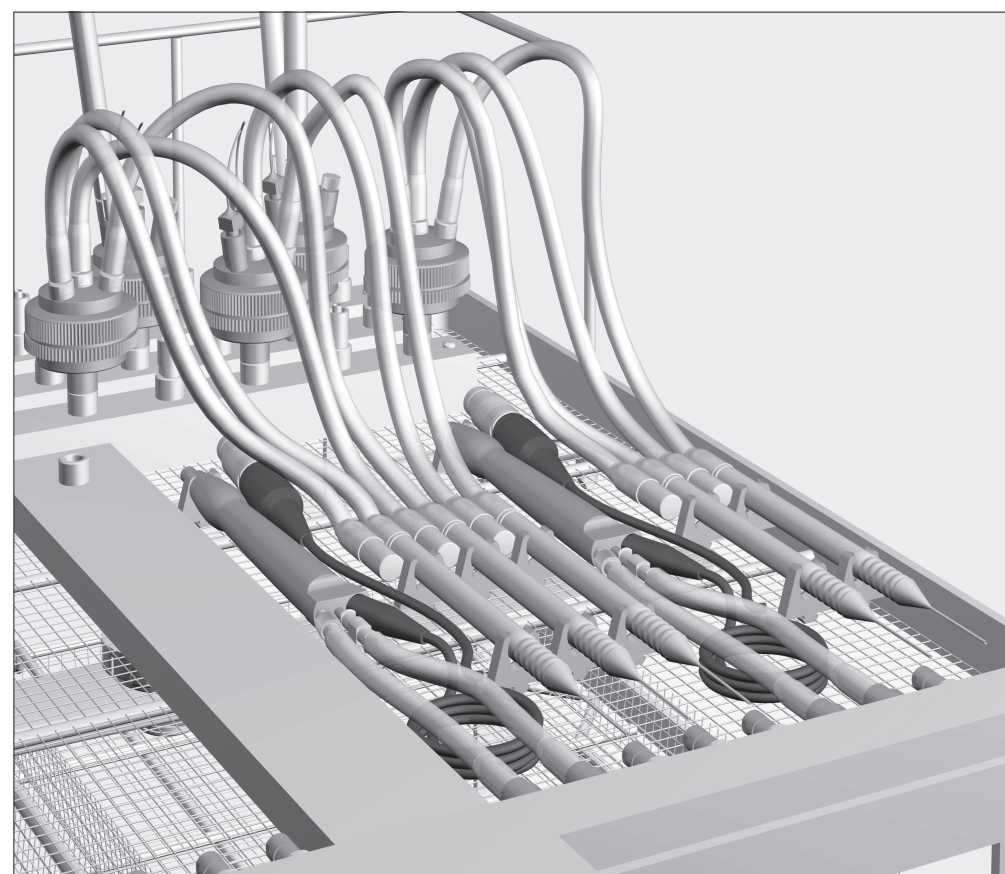
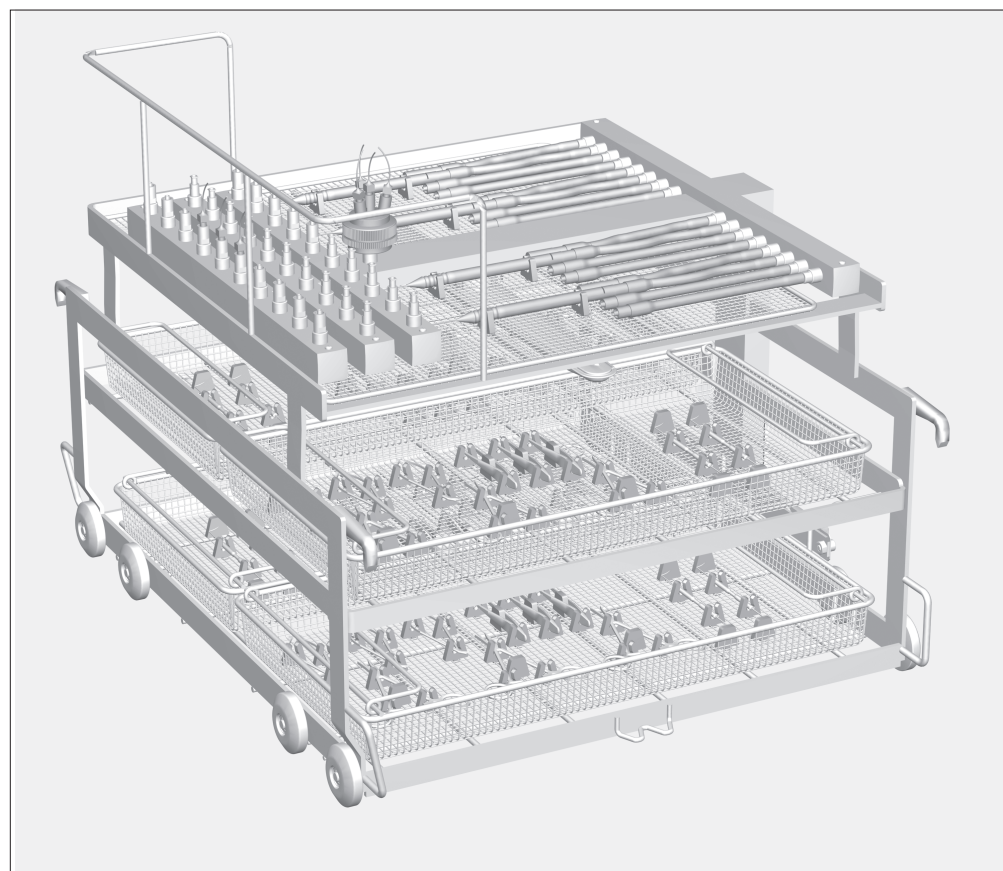
- 15 x Luer lock adapters ♂
- 15 x Luer lock adapters ♀
- 16 x Luer lock adapters ♂, with hose connector
- 1 magnetic strip for automatic mobile unit recognition (without magnets)

Optional accessories

- E 441/1 insert for micro instruments
- E 142 DIN mesh tray
- E 478/1 holder with microfilter for narrow lumen cannulae
- E 448 silicone tubes, 300 mm, with Luer lock adapters ♂ for Luer locks ♀
- E 531 caps for Luer locks
- E 362 Blanking screws

Supplied as separate items:

- 50 x E 476 holders for micro instruments, e.g. for E 142 DIN mesh trays
- 20 x E 477 connectors for micro instruments, e.g. for E 142 DIN mesh trays
- 8 x E 791 Luer lock connectors ♀ / Luer ♂
- 8 x E 790 Luer lock connectors ♀ / Luer lock ♀
- E 479 holders for micro instruments
- E 476 holders for micro instruments
- E 477 connectors for micro instruments
- E 791 Luer lock connectors ♀ / Luer ♂
- E 790 Luer lock connectors ♀ / Luer lock ♀
- E 792 Luer-Lock connector ♂ with silicone tube
- 5 magnets for automatic mobile unit recognition (ML)



Areas of application:

The E 529 mobile injector unit is solely designed for cleaning and disinfecting ophthalmic instruments.

The top level is fitted with various connections for hollow instruments, e.g. rinsing and suction tubes and cannulae.

A maximum of 16 x E 478/1 may also be connected for additional filtering.

⚠ Narrow lumen instruments, e.g. special cannulae (e.g. Sauter) and rinsing and suction handles must be connected to the E 478/1 holder. The E 478/1 has its own separate operating instructions.

Consult the instrument manufacturer for guidance on degree of sud filtration for specific instruments.

The filter plate of the E 478/1 has a filtration level of ≥ 0.1 mm.

Instruments are secured to the hose connectors in the mobile injector unit using the silicone holders and connectors in the rack.

For validation purposes please make sure that you follow the loading instructions given on the template.

⚠ Individual instruments should not touch each other during cleaning and disinfection.

Before connecting hollow instruments, ensure that lumens and canals are accessible for suds.

Rinse cannulae and other hollow instruments as soon as possible after patient use, preferably while still in the operating theatre, using a syringe and water.

This will help to prevent narrow cannulae becoming clogged by blood or other residues, which would hinder the cleaning process.

The lower two levels of the mobile injector unit are designed to take E 441/1 inserts or E 142 mesh trays for processing solid instruments. See over page for instructions on loading an E 142 mesh tray.

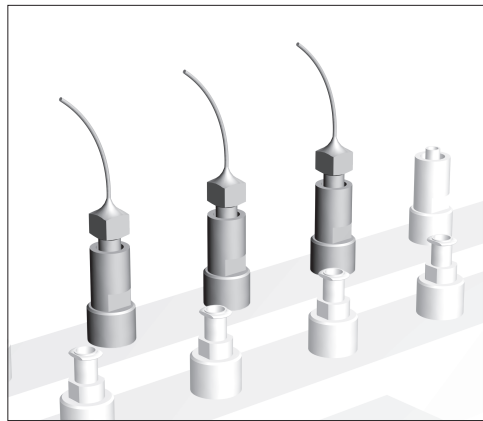
⚠ Ophthalmic instruments should only be processed in a machine designated for their sole use. This way there is no risk of residues from other disciplines getting into the narrow lumen of hollow instruments. Synthetic cover nets, e.g. Miele A 2 and A3 cover nets may not be used in this washer-disinfector.

⚠ To ensure a suitable standardised spray pressure for all connections, all screw connectors must be fitted with jets, adapters, silicone tubes with Luer lock connectors, caps or blanking screws.

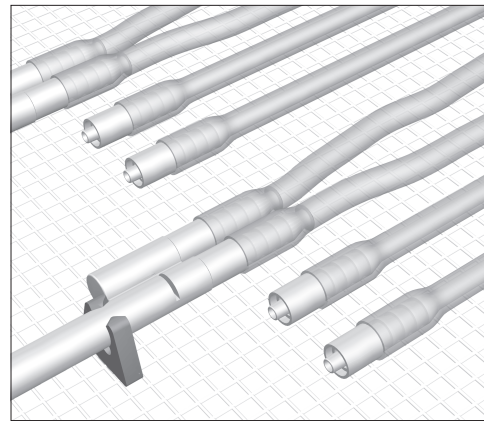
Damaged jets, adapters or silicone tubes with Luer lock connectors etc. must not be used.

Empty jets, etc. do not have to be replaced with blanking screws.

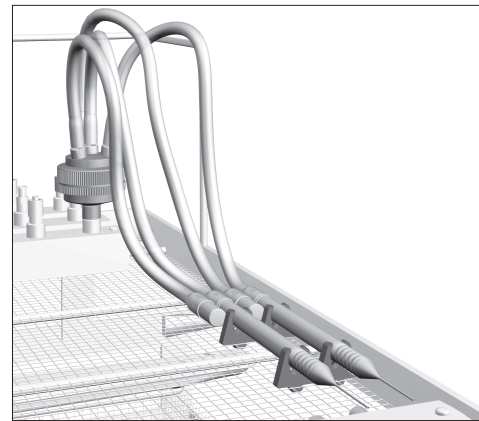
Arranging ophthalmic instruments



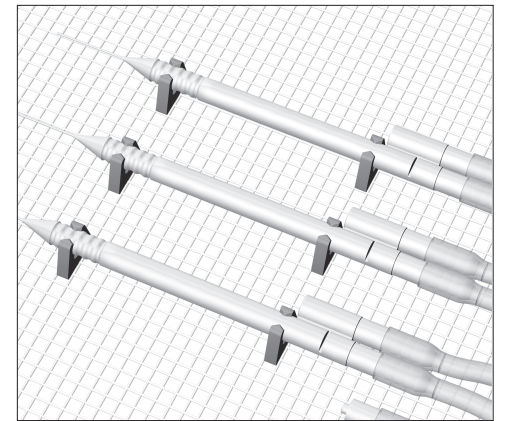
Connect cannulae with Luer connectors to the Luer lock adapter on the injector unit using a connecting piece, e.g. Luer lock ♀ / Luer ♂.



- Long hollow instruments should be screwed to the flexible hose connectors using Luer lock adapters ♂.
- When processing hollow instruments with several connectors, such as rinsing or suction hand pieces, each connector needs to be secured to a hose.
- Hollow instruments with a male connector should be connected to the hose using a Luer lock ♀ / Luer lock ♀ connector.



- Connect narrow lumen instruments with multiple connections to an E 478/1 holder.
- Link each connection of the instrument, e.g. the rinsing and suction handles, with an E 448.
- Use a Luer-Lock ♀ / Luer-Lock ♀ connector between instruments with a male Luer lock connector and the E 448.



- Fit hollow instruments securely into the silicone holders on the rack in the injector unit.
- Space the silicone holders in the rack according to the size of the instruments.
- Unscrew hollow instruments after cleaning.

⚠ Any hollow instruments that have become disconnected from the adapters during processing must be reprocessed.

Quality assurance testing

- Expel residual water from hollow instruments using medical compressed air. This also verifies lumen are clear.
- At the same time, the pH value of displaced water can be checked using litmus paper (≤ 0.5 grade).

If the result is negative:

- Remove the cause of any blockage manually and reprocess the instruments. If the pH value is not neutral reprocess the instruments.

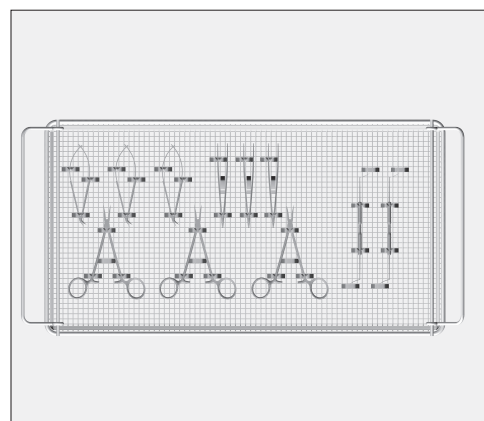
If the pH value continues not to be neutral, contact the Service Department to arrange for further analysis of the problem.

E 142 mesh tray for ophthalmic instruments

The instruments should not be able to touch each other during the cleaning and disinfecting process.

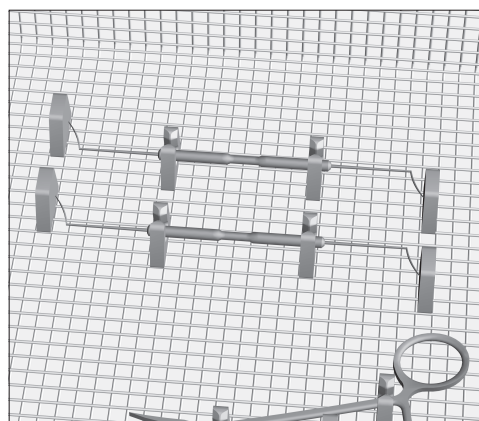
Light, delicate non-hollow instruments can be secured in position in the E 142 mesh tray using silicone holders E 476 or E 479 and silicone connectors E 477.

If E 142 mesh trays are used in the lowest level of the injector unit the E 479 silicone holders have to be used in order to hold the instruments securely.



To ensure that all surfaces are cleaned and rinsed thoroughly:

- Hinged instruments, e.g. scissors, clamps and forceps should be opened up and then placed in the tray.
- Diamond knives must be opened up and then placed on the tray.



- Secure straight instruments in the silicone holders so that they cannot slip out during processing.