

# Operating and installation instructions

## Wine conditioning unit



To avoid the risk of accidents or damage to the appliance it is **essential** to read these instructions before it is installed and used for the first time.

# Contents

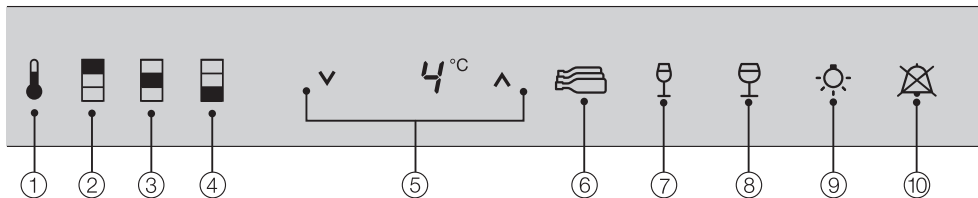
---

<b>Description of the appliance</b> . . . . .	4
<b>Caring for the environment</b> . . . . .	6
<b>Warning and Safety instructions</b> . . . . .	7
<b>How to save energy</b> . . . . .	14
<b>Switching on and off</b> . . . . .	15
Switching on . . . . .	15
Operation . . . . .	15
Switching off . . . . .	17
Further settings . . . . .	17
Switching off for longer periods of time . . . . .	18
<b>The ideal temperature and humidity level</b> . . . . .	19
Temperature . . . . .	19
Setting the temperature . . . . .	19
Isolator plates for thermal separation . . . . .	21
Selecting Fahrenheit or Celsius for the temperature . . . . .	21
Temperature display . . . . .	22
Humidity level . . . . .	23
Air filtering with active charcoal filters . . . . .	24
<b>Temperature and door alarm</b> . . . . .	25
<b>Storing wine bottles</b> . . . . .	27
Bottle presenter . . . . .	28
Maximum capacity . . . . .	28
Display lighting . . . . .	29
<b>Defrosting</b> . . . . .	30
<b>Cleaning and care</b> . . . . .	31
Before cleaning . . . . .	31
Cleaning the interior and accessories . . . . .	31
Ventilation gaps . . . . .	32
Door seal . . . . .	32
Active charcoal filter . . . . .	32
<b>Problem solving guide</b> . . . . .	33
<b>Noises</b> . . . . .	36
<b>After Sales / Guarantee</b> . . . . .	37
Guarantee . . . . .	37

<b>Note for test institutes</b> . . . . .	38
<b>Electrical connection</b> . . . . .	39
<b>Installation advice</b> . . . . .	40
Location . . . . .	40
Climate range . . . . .	40
Floor . . . . .	42
Door hinging . . . . .	42
Adjoining furniture/units . . . . .	42
Ventilation . . . . .	42
Side-by-side installation . . . . .	43
To limit the opening angle of the door . . . . .	44
Appliance door dimensions (opening angle 90°) . . . . .	45
Appliance door dimensions (opening angle 115°) . . . . .	45
<b>Building-in dimensions</b> . . . . .	46
<b>Installation</b> . . . . .	48
Tools and accessories required . . . . .	48
Weight of the door front . . . . .	49
Building into a peninsular run . . . . .	49
Building-in at the end of a run of units . . . . .	49
Aligning the building-in niche . . . . .	50
Checking the building-in niche . . . . .	50
Before installation . . . . .	50
Preparing the niche . . . . .	51
Installation accessories . . . . .	51
Anti-tipping mechanism . . . . .	52
An alternative anti-tipping mechanism . . . . .	54
Placing the appliance in the niche . . . . .	55
Aligning the appliance . . . . .	56
Securing the appliance in the niche . . . . .	57
Preparing the furniture front . . . . .	59
Securing and aligning the furniture door . . . . .	61
Securing the covers . . . . .	62
Fitting the plinth facing . . . . .	63
Fitting the door trim . . . . .	64
Fitting the air separator . . . . .	65
<b>Addresses</b> . . . . .	67

## Description of the appliance

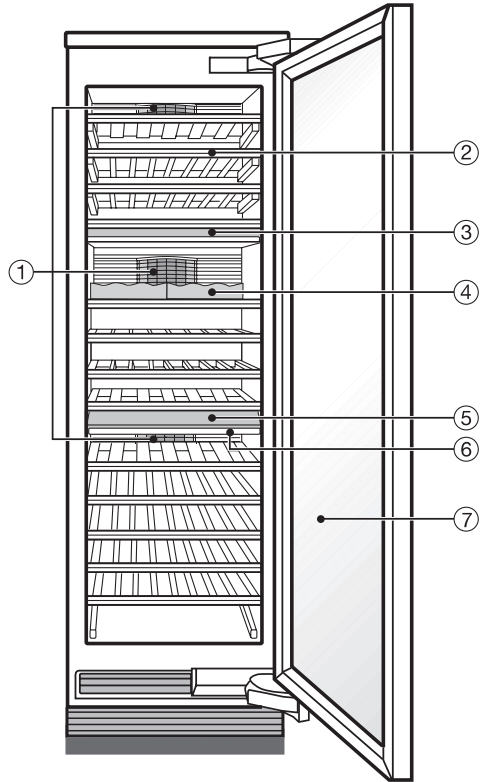
---



- ① Access sensor
- ② Sensor to select the upper temperature zone
- ③ Sensor to select the middle temperature zone
- ④ Sensor to select the lower temperature zone
- ⑤ Sensor to set the temperature (∇ for colder; ∧ for warmer) and to set the lighting duration (∇ for shorter; ∧ for longer)
- ⑥ Sensor to select the temperature for storing wine for a longer period
- ⑦ Sensor to select the optimum storage temperature for white wine
- ⑧ Sensor to select the optimum storage temperature for red wine
- ⑨ On/Off sensor for the display lighting
- ⑩ Sensor for switching off the temperature or door alarm (only visible when the temperature or door alarm is sounding)

# Description of the appliance

- ① Vents/Active charcoal filters
- ② Wooden shelves
- ③ Isolator plate for thermal separation of the upper and middle temperature zones
- ④ Bottle presenter
- ⑤ Control panel/Isolator plate for thermal separation of the middle and lower temperature zones
- ⑥ Rocker switch for switching the whole appliance on and off
- ⑦ Glass door with UV filter



# Caring for the environment

---

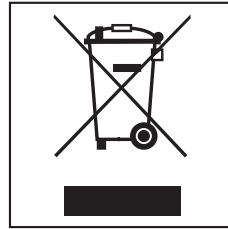
## Disposal of the packing material

The packaging is designed to protect the appliance from damage during transportation. The packaging materials used are selected from materials which are environmentally friendly for disposal and should be recycled.

Recycling the packaging reduces the use of raw materials in the manufacturing process and also reduces the amount of waste in landfill sites.

## Disposal of your old appliance

Electrical and electronic appliances often contain valuable materials. They also contain materials which, if handled or disposed of incorrectly, could be potentially hazardous to human health and to the environment. They are, however, essential for the correct functioning of your appliance. Please do not therefore dispose of it with your household waste.



Please dispose of it at your local community waste collection / recycling centre or contact your dealer for advice. Ensure that it presents no danger to children while being stored for disposal.

Take care not to damage the pipework at the back of it before or during transportation to an authorised collection depot.

In this way, refrigerant in the pipework and oil in the compressor will be contained, and will not leak out into the environment.

## Warning and Safety instructions

---

This appliance complies with all statutory safety requirements. Inappropriate use can, however, lead to personal injury and damage to property.

To avoid the risk of accidents and damage to the appliance, please read these instructions carefully before installation and before using it for the first time. They contain important information on installation, safety, use and maintenance.

Miele cannot be held liable for damage caused by non-compliance with these Warning and Safety instructions.

Keep these instructions in a safe place and ensure that new users are familiar with the content. Pass them on to any future owner.

### Warning!

This appliance is very heavy and can tip forwards when the door is open. Keep the appliance door shut until the appliance has been built in and secured in its building-in niche in accordance with these operating and installation instructions.

### Warning!

If installed at altitudes above 2500 m, there is a risk of the glazing in the door breaking.

Shards of glass are very sharp and can cause severe injury if not handled with care.

# Warning and Safety instructions

---

## Correct application

- ▶ The appliance is intended for use in domestic households and similar working and residential environments. It is not intended for outdoor use.
- ▶ This appliance is intended for domestic use only for storing wine. Any other usage is not supported by the manufacturer and could be dangerous.
- ▶ The appliance is not suitable for storing and keeping cool medicines, blood plasma, laboratory preparations or other such materials or products. Incorrect use of the appliance for such purposes can cause deterioration of the items stored. The appliance is not suitable for use in areas where there is a risk of explosion. Miele cannot be held liable for damage resulting from incorrect or improper use or operation.
- ▶ The appliance can only be used by people with reduced physical, sensory or mental capabilities, or lack of experience and knowledge, if they are supervised whilst using it, or have been shown how to use it in a safe way and recognise and understand the consequences of incorrect operation.



## Safety with children

- ▶ Children under 8 years of age must be kept away from the appliance unless they are constantly supervised.
- ▶ Children 8 years and older may only use the appliance unsupervised if they have been shown how to use it in a safe way and recognise and understand the consequences of incorrect operation.
- ▶ Children must not be allowed to clean or maintain the appliance unsupervised.
- ▶ Please supervise children in the vicinity of the appliance and do not let them play with it.
- ▶ The door hinges can cause injury. Keep children well away at all times.
- ▶ Danger of suffocation. Packaging, e.g. plastic wrappings, must be kept out of the reach of babies and children. Whilst playing, children could become entangled in packaging or pull it over their head and suffocate.

## Technical safety

- ▶ The coolant system is tested for leaks. The appliance complies with statutory safety requirements and the appropriate EU guidelines.

## Warning and Safety instructions

---



R600a

► This appliance contains the coolant Isobutane (R600a), a natural gas which is environmentally friendly. Although it is flammable, it does not damage the ozone layer and does not increase the greenhouse effect.

The use of this coolant has, however, led to a slight increase in the noise level of the appliance. In addition to the noise of the compressor, you might be able to hear the coolant flowing around the system. This is unavoidable, and does not have any adverse effect on the performance of the appliance.

Care must be taken during the transportation and installation of the appliance that no parts of the cooling system are damaged.

Splashes of coolant can injure the eyes.

In the event of any damage:

- avoid any open flames or anything which creates a spark,
- disconnect the appliance from the electricity supply,
- ventilate the room where the appliance is located for several minutes, and
- call the Service Department for advice.

► The more coolant there is in an appliance, the larger the room it should be installed in. In the event of a leakage, if the appliance is in a small room, there is the danger of combustible gases building up. For every 8 g of coolant at least 1 m<sup>3</sup> of room space is required. The amount of coolant in the appliance is stated on the data plate inside the appliance.

## Warning and Safety instructions

---

- ▶ To avoid the risk of damage to the appliance, make sure that the connection data (fuse rating, frequency and voltage) on the data plate corresponds to the household supply. Check that this is the case before connecting the appliance. Consult a qualified electrician if in any doubt.
- ▶ The electrical safety of this appliance can only be guaranteed when it is correctly earthed. It is essential that this standard safety requirement is met. If in any doubt, please have the electrical installation tested by a qualified electrician.
- ▶ If the electrical connection cable is faulty it must only be replaced by a Miele authorised service technician to protect the user from danger.
- ▶ Do not connect the appliance to the mains electrical supply by an extension lead or a multi-socket adapter. These are a fire hazard and do not guarantee the required safety of the appliance.
- ▶ Do not use in a damp or wet environment (e.g. garage or utility room). Moisture could reach live components or the electrical connection and cause a short circuit.
- ▶ This appliance must not be used in a non-stationary location (e.g. on a ship).
- ▶ A damaged appliance can be dangerous. Check the appliance for visible signs of damage. Do not use a damaged appliance.
- ▶ For safety reasons, this appliance may only be used when it has been fully installed.

## Warning and Safety instructions

---

- ▶ The appliance must be disconnected from the mains electricity supply during installation, maintenance and repair work. Ensure that power is not supplied to the appliance until after it has been installed or until after any maintenance or repair work has been carried out.
- ▶ While the appliance is under guarantee, repairs should only be undertaken by a Miele authorised service technician. Otherwise the guarantee is invalidated.
- ▶ The manufacturer can only guarantee the safety of the appliance when original Miele replacement parts are used. Faulty components must only be replaced by genuine Miele original spare parts.

### Correct use

- ▶ The appliance is designed for use within certain climate ranges (ambient temperatures), and should not be used outside this range. The climate range of the appliance is stated on the data plate inside the appliance. Installing it in a room with too low an ambient temperature, e.g. a garage, will lead to the compressor switching off for longer periods so that the appliance cannot maintain the required temperature.
- ▶ Do not cover or block the air vents as this could impair the efficiency of the appliance, increase the electricity consumption and could cause damage to the components.
- ▶ Do not store explosive materials in the appliance or any products containing propellants (e.g. spray cans). Electrical components could cause flammable vapours to ignite. Danger of fire and explosion.

## Warning and Safety instructions

---

▶ Do not operate any electrical equipment inside the appliance.  
Danger of sparking and explosion.

▶ Only use genuine original Miele accessories with this appliance.  
Using spare parts or accessories from other manufacturers will invalidate the guarantee, and Miele cannot accept liability.

### Cleaning and care

▶ Do not use any oils or grease on the door seal, as these will cause the seal to deteriorate and become porous with time.

▶ Do not use a steam cleaning appliance to clean or defrost this appliance. Steam could reach electrical components and cause a short circuit.

### Disposal of your old appliance

▶ Before disposing of an old appliance, first make the door latch or lock unusable.

This way you will prevent children from accidentally locking themselves in and endangering their lives.

▶ Be careful not to damage any part of the pipework whilst awaiting disposal, e.g. by

- puncturing the refrigerant channels in the evaporator,
- bending any pipework,
- scratching the surface coating.

Splashes of coolant can injure the eyes.

# How to save energy

	<b>Normal energy consumption</b>	<b>Increased energy consumption</b>
<b>Installation site</b>	In a ventilated room.	In an enclosed, unventilated room.
	Protected from direct sunlight.	In direct sunlight.
	Not near to a heat source (radiator, oven).	Near to a heat source (radiator, oven).
	Where the ideal ambient room temperature is approx. 20°C.	Where there is a high ambient room temperature.
	Ventilation gaps uncovered and dusted regularly.	Ventilation gaps covered or dusty.
	Compressor and metal grille (heat exchanger) dusted at least once a year.	Dust build-up on the compressor and metal grille (heat exchanger).
<b>Temperature setting</b>	10 to 12 °C	The lower or higher the temperature set, the higher the energy consumption.
<b>Use</b>	Wooden shelves arranged as they were when the appliance was delivered.	
	Only open the door when necessary and for as short a time as possible. Store wine bottles in an organised way.	Frequent opening of the door for long periods will cause a loss of coldness. The appliance works harder to cool down and the compressor runs for longer periods.
	Do not over-fill the appliance to allow air to circulate.	

## Before using for the first time

- Clean the inside of the appliance and the accessories with lukewarm water and a little washing-up liquid, and then dry with a soft cloth.

### Important:

To ensure the correct functioning of the appliance, let it stand for approx. 8 hours if it has been transported on its side to its final location before connecting it to the mains.

## Switching on

- Open the door.



- Press the rocker switch on the right-hand side underneath the control panel.

This switches all of the zones in the appliance on or off together.

The appliance will start to cool, and the interior lighting will come on when the door is opened.



The access sensor in the control panel will also light up.

Please note: switching the appliance off with the rocker switch does not disconnect the appliance from the mains.

## Operation

A light touch of the finger on the sensors is all that is required to operate this appliance.

Please note:

- A sensor that is **available** for selection is always highlighted in **white**.
- A sensor that has been **selected** is always highlighted in **yellow**.



- Touch the access sensor so that it is highlighted in yellow.



The sensors for the three zones will now appear in the control panel: the upper, middle and lower wine-conditioning zones.

# Switching on and off

The zones are set ex-works for the following types of storage:



- Lower zone:  
for storing wine for a longer period of time (left-hand symbol)
- Middle zone:  
for storing white wine (middle symbol)
- Upper zone:  
for storing red wine (right-hand symbol)

To switch the display lighting on or off,



- touch the sensor for the display lighting.

To select settings for your appliance (e.g. to set the temperature, etc),



- touch the sensor for the particular zone where you would like to select the settings.

A sensor that has been selected is highlighted in yellow. You can now

- set the temperature, or
- set the humidity level for the zone you have selected.

Please refer to the relevant section for more information.

To deselect a zone,



- touch the sensor of the selected zone again so that it is highlighted in white, or select a different sensor.

To finish selecting settings,



- touch the access sensor so that it is highlighted in white.

Your last selected settings will now be saved to memory.

If you do not touch the access sensor, the electronics for accessing the settings will switch off after a period.



## Switching off



- Press the rocker switch.

The cooling system and the interior lighting are now switched off.

## Further settings

You can select further settings in settings mode and then select certain appliance functions and adjust their settings. The settings for the different functions are described in more detail in the relevant section of these instructions.

Overview of functions that can be selected in settings mode:

Function	Symbol
To enter or leave settings mode	c
To select the temperature unit (see "The ideal temperature and humidity level")	t
No function allocated	r
To switch the sensor tone on/off (see "Switching on and off")	b
To set the humidity level (see "The ideal temperature and humidity level")	o

## Switching the sensor tone on/off

The tone which sounds each time a sensor is touched can be deactivated.



- Touch the access sensor so that it is highlighted in yellow.



- Touch the sensor for one of the zones (it does not matter which) so that it is highlighted in yellow.
- Take note of the position of the √ sensor (but do not touch it!).
- Touch the access sensor until it is highlighted in white and all of the other sensors are no longer lit up.
- Place your finger in the position of the √ sensor, and leave it there.
- At the same time, briefly touch the access sensor (without moving your finger from the √ sensor).

# Switching on and off

---

- Leave your finger on the √ sensor for another 4 seconds until **c** and the ^ sensor also appear in the display.



- Now touch the √ sensor repeatedly until **b** appears in the display.
- Touch the access sensor again.
- By touching the √ sensor, you can now select whether the sensor tone is switched on or off:
  - b 0**: Sensor tone switched off
  - b 1**: Sensor tone switched on
  - b -**: Return to menu
- After selecting a new setting, touch the access sensor to confirm your choice.
- Touch the √ sensor repeatedly until **c** appears in the display.



- Touch the access sensor.

You have now left settings mode.

The door alarm is automatically disabled when the appliance is in settings mode. As soon as the door is closed, the door alarm is activated again.

## Switching off for longer periods of time

If the appliance is not going to be used for a longer period of time, e.g. whilst on holiday:

- switch the appliance off,
- disconnect it from the mains,
- clean the appliance out and
- leave the door ajar to air the appliance.

If, during a long absence, the appliance is switched off but not cleaned out and the door is left shut, there is a danger of mould and odours building up inside the appliance.

# The ideal temperature and humidity level

Wine keeps on maturing depending on the surrounding conditions. The length of time for which wine can be kept in good condition will therefore depend not only on the temperature but also on the air quality.

The wine conditioning unit, with its constant ideal temperature, increased air humidity and odour-free atmosphere, offers the perfect conditions for storing your wine.

## Temperature

Wine can be stored at a temperature between 5°C and 18°C. If you wish to store red and white wines together, select a temperature between 10 and 12°C. Most white wines are palatable at this temperature. It is best to take red wine out of the appliance about two hours before drinking. Open the wine to allow it to breathe and to develop its aroma. After two hours, red wine will be at the correct temperature for drinking.

A storage temperature of over 22°C causes wine to mature too quickly. Wine should not be stored below 5°C for a long period of time as it will not mature fully at this low temperature.

Fluctuations in temperature put wine under stress and interrupt the maturing process. It is therefore very important to maintain a constant temperature.

## Setting the temperature

The zones are set ex-works for the following types of storage:

- Upper zone:  
for storing red wine (16 °C)
- Middle zone:  
for storing white wine (10 °C)
- Lower zone:  
for storing wine for a longer period of time (11 °C)

You can adjust the zones to your requirements, for example if you wish to store white wine in the upper zone. Simply set the relevant temperature specification as follows:



- Touch the sensor for the zone you wish to change so that it is highlighted in yellow.



- Then touch the sensor for the type of storage you wish to select (long-term, white wine or red wine storage) so that it is highlighted in yellow.

Although you can use the lower zone for white wine if you wish, it is not possible to select the white wine symbol for the lower zone.

# The ideal temperature and humidity level

It is possible to set the exact temperature individually in each zone.

The zones are set up ex works to store red wine, white wine and for long-term storage.

The settings can be altered to your requirements.



- Touch the sensor for the zone you wish to change so that it is highlighted in yellow.



- The temperature inside the appliance can be selected by touching the arrow sensors on either side of the temperature display.

The temperature set at the factory for the zone concerned is highlighted in yellow.

By touching the

- ∇ sensor: the temperature will get colder
- ∧ sensor: the temperature will get warmer.

- Touching the sensor once: adjusts the temperature shown in 1 °C steps.
- Keeping your finger on the sensor: changes the temperature continuously.

If the highest or lowest temperature that it is possible to set is reached, the ∇ or ∧ sensor will disappear from the display.

The temperature display in the control panel always shows the **required** temperature.

Once you have altered the temperature, check the temperature after a few hours. It will take this long for the appliance to reach the temperature. If, after this time, the temperature is still too high or too low, you will need to adjust it again.

## Temperature ranges for each of the zones

- Upper zone: 5 °C to 18 °C
- Middle zone: 5 °C to 18 °C
- Lower zone: 8 °C to 18 °C

# The ideal temperature and humidity level

## Isolator plates for thermal separation

The appliance has two fixed isolator plates which divide the cabinet into three different temperature zones. This enables you to store three different types of wine at the same time, e.g. red wine, white wine and Champagne.

Setting the correct temperature is important to the taste of the wine.

The following temperatures are recommended for the different types of wine:

Red wine:	14 °C to 18 °C
Rosé wine:	10 °C to 12 °C
White wine:	8 °C to 12 °C
Sparkling white wines:	7 °C to 9 °C
Champagne:	5 °C to 7 °C

## Selecting Fahrenheit or Celsius for the temperature

The temperature can be displayed in degrees Celsius or degrees Fahrenheit.



- Touch the access sensor so that it is highlighted in yellow.



- Touch the sensor for one of the zones (it does not matter which) so that it is highlighted in yellow.
- Take note of the position of the √ sensor (but do not touch it!).
- Touch the access sensor until it is highlighted in white and all of the other sensors are no longer lit up.
- Place your finger in the position of the √ sensor, and leave it there.
- At the same time, briefly touch the access sensor (without letting go of the √ sensor).
- Leave your finger on the √ sensor for another 4 seconds until ⚡ and the ^ sensor also appear in the display.



- Now touch the ∇ sensor repeatedly until ⚡ appears in the display.
- Touch the access sensor again.

# The ideal temperature and humidity level

- By touching the  $\nabla$  sensor, you can now set the temperature to be displayed in Fahrenheit or Celsius.  
 $\text{°F}$ : Temperature in Fahrenheit  
 $\text{°C}$ : Temperature in Celsius  
 $\text{↵}$ : Return to menu
- After selecting a new setting, touch the access sensor to confirm your choice.
- Now touch the  $\nabla$  sensor repeatedly until  $\text{⏏}$  appears in the display.



- Touch the access sensor again.

You have now left settings mode.

The door alarm is automatically disabled when the appliance is in settings mode. As soon as the door is closed, the door alarm is activated again.

## Temperature display

The temperature display in the control panel always shows the **required** temperature.

The **temperature display flashes** if the temperature in one of the zones is too high or too low.

- The temperature inside the appliance can be set by touching the arrow sensors on either side of the temperature display.
  - Touching the sensor once: adjusts the temperature shown in 1 °C steps.
  - Keeping your finger on the sensor: changes the temperature continuously.

# The ideal temperature and humidity level

---

## Humidity level

A conventional refrigerator with its low humidity level is not the best place to store wine. It is very important to store wine in an atmosphere with a high humidity level (60-70 %) so that the corks remain moist on the outside. Low humidity causes corks to dry out from the outside, and so do not seal the bottles as tightly. Wine should be stored lying down to keep the corks moist from the inside too. Air entering the bottle will inevitably spoil the wine.

**Note:** Before serving, stand the wine upright for at least two hours, or the entire day if possible, to allow any sediment to settle at the bottom of the bottle.

## To set the humidity level

The appliance is set ex works with a high humidity level.

If you are going to use the appliance for long-term wine storage, you should select the highest possible humidity level. This will reproduce the conditions similar to those found in a wine cellar.

The humidity level set will be the same for all three zones.



- Touch the access sensor so that it is highlighted in yellow.



- Touch the sensor for one of the zones (it does not matter which) so that it is highlighted in yellow.
- Take note of the position of the √ sensor (but do not touch it!).
- Touch the access sensor until it is highlighted in white and all of the other sensors are no longer lit up.
- Place your finger in the position of the √ sensor, and leave it there.
- At the same time, briefly touch the access sensor (without letting go of the √ sensor).

# The ideal temperature and humidity level

- Leave your finger on the √ sensor for another 4 seconds until ⌂ and the ^ sensor also appear in the display.



- Now touch the √ sensor repeatedly until ⓪ appears in the display.
- Touch the access sensor again.
- By touching the √ sensor, you can now set the humidity level.
  - ⓪ 0: Low humidity level
  - ⓪ 7: High humidity level
  - ⓪ -: Return to menu
- After selecting a new setting, touch the access sensor to confirm your choice.
- Now touch the √ sensor repeatedly until ⌂ appears in the display.



- Touch the access sensor again.  
You have now left settings mode.

If you have selected a high humidity level, the fan will switch on automatically. This allows the humidity and temperature to be spread evenly through the whole appliance so that all of your wines are stored under the same ideal conditions.

The fan switches off automatically when the door is opened, and remains switched off until the door is closed again.

## Air filtering with active charcoal filters

Fresh air from the room enters the appliance through the active charcoal filters, ensuring a fresh, dust-free, odourless air supply.

This in turn ensures your wine does not absorb any unwanted odours.

Replace the active charcoal filters at regular intervals, or if you notice unpleasant odours in the appliance (see "Cleaning and care - Active charcoal filters").



# Temperature and door alarm

---

Your appliance is fitted with a warning system which ensures that the temperature in the three zones cannot rise or fall unnoticed and impair the wine.

## Activating the alarm system

The alarm system is always active. It does not have to be switched on manually.

## Temperature alarm

If the temperature in one of the zones gets too warm, the sensor for the zone concerned will flash in the control panel.

The sensor for switching the temperature or door alarm off will flash at the same time.

An audible alarm will also sound.

The alarm will sound and the relevant symbols will flash, for example,

- if the door has been left open for a while in order to re-arrange or take wine bottles out and warm air has entered the appliance.
- if a large number of wine bottles are put into the storage unit at once.
- in the event of a power cut.

The alarm will stop and the sensor for switching the temperature or door alarm off will go out as soon as the temperature is at the correct level. The sensor for the zone concerned will light up again constantly.

## Switching the temperature alarm off early

If the noise disturbs you, you can switch the alarm off early if you wish.



- Touch the sensor for switching off the temperature or door alarm. The alarm will stop. The sensor for switching off the temperature or door alarm will continue to be lit up until the temperature is at the correct level. The sensor for the zone concerned will continue to flash until the temperature is at the correct level.

## Door alarm

The alarm will sound if the door is left open for more than 5 minutes. The sensor for switching the temperature or door alarm off will also light up.

The alarm will stop and the sensor for switching the temperature or door alarm off will go out as soon as the door is closed.

# Temperature and door alarm

---

## Switching the door alarm off early

If the noise disturbs you, you can switch the alarm off early if you wish.



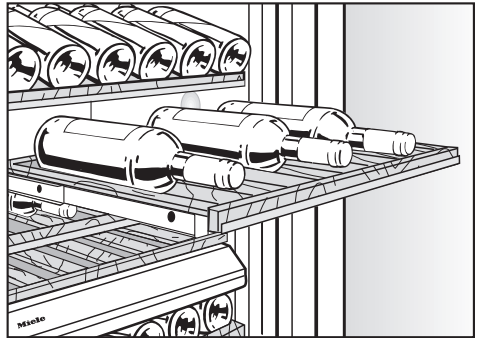
- Touch the sensor for switching the temperature or door alarm off.

The alarm will stop and the sensor for switching the temperature or door alarm off will go out.

## Storage tips

- Always remove wine bottles from their box or packaging before you lay them down.
- Always place the bottles in a horizontal position so that the corks can be kept moist on the inside and air is prevented from getting into the bottles.
- As far as possible, store bottles of the same type of wine beside each other on the same shelf. Removing a bottle of one type will then leave the other types undisturbed and will avoid the need to move different bottles around.
- Red wines and rosés should be opened and stood upright for at least two hours before serving in order to reach their ideal drinking temperature. Champagne and sparkling wines should be cooled in the refrigerator for a while before serving.
- Just before serving, the wine should be slightly cooler than its ideal drinking temperature as it becomes 1 to 2° warmer as soon as it is poured into a glass.

## Wooden shelves



The wooden shelves are on runners which can be pulled out to make it easier to store and remove bottles.

The wooden shelves can be removed if required.

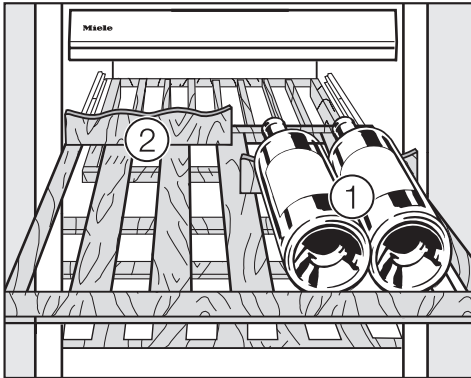
- Pull out the empty shelf on its runners until it stops, then lift it up and out.
- To replace the shelf, click it back into place on the extended runners.

Make sure the vents at the back of the appliance are not covered, as this is essential for keeping the appliance cool.

# Storing wine bottles

## Bottle presenter

The bottle presenter can be used to raise particular bottles of wine so that they can be viewed when the door is shut.



- Place the wine bottles on the bottle presenter so that the necks are resting in the hollows of the presenter ①.
- When you no longer wish to elevate the bottles, carefully remove the bottle presenter and place it at the back of the wooden shelf ②. The wine bottles can now be stored horizontally on the shelf again.

Additional bottle presenters can be purchased from your Miele Dealer or the Miele Spare Parts Department.

The bottle presenter can only be used on the wide-slatted shelves. In the upper zone, the wide-slatted shelves are at the bottom. In the other two zones, the wide-slatted shelves are at the top and the bottom.

In order to optimise the space in the appliance, we do not recommend swapping the wooden shelves around.

**Never** stack bottles on the wooden shelves. If you remove the lowest wooden shelf in any of the three zones, bottles may then be stacked on the floor of each of the zones.

## Maximum capacity

Up to 102 Bordeaux bottles (0.75 l) can be stored in the appliance.

## Display lighting

You can set the display lighting in the middle wine zone so that the bottles are illuminated even when the door is closed.

### Switching on the display lighting



- Touch the access sensor so that it is highlighted in yellow.



- Touch the sensor for the display lighting so that it is highlighted in yellow.

The display lighting is now switched on in the middle zone, even when the door is closed.

### Switching off the display lighting

- Touch the sensor for the display lighting so that it is highlighted in white.

The display lighting is now switched off when the door is closed.

## Lighting duration of the display lighting

The lighting duration for the display lighting is set at 30 minutes at the factory.



- To change the lighting duration, touch the sensor for the display lighting for 2 seconds.

The set time (in minutes) appears in the control panel.



The lighting duration can now be set in 15-minute steps using the two sensors either side of the time display.

You can set a lighting duration of 15, 30, 45, 60, 75 or 90 minutes.

- To confirm, touch the access sensor so that it is highlighted in white.

If the door is closed before the new setting is confirmed, the old setting will be retained.

## Defrosting

---

Condensate and frost can build up on the back wall of the appliance whilst it is in use. These are automatically defrosted and removed by the appliance.

Make sure that water cannot get into the electronic unit or into the lighting.

Do not use steam cleaning apparatus to clean the appliance. Steam could reach electrical components and cause a short circuit.

The data plate located inside the appliance must not be removed. It contains information which is required in the event of a service call.

## To avoid damaging the surface of your appliance, do not use:

- cleaning agents containing soda, ammonia, acids or chlorides,
- cleaning agents containing descaling agents,
- abrasive cleaning agents, e.g. powder cleaners and cream cleaners,
- solvent-based cleaning agents,
- stainless steel cleaning agents,
- dishwasher cleaner,
- oven sprays,
- glass cleaner (except for the glass in the appliance door),
- hard, abrasive sponges and brushes, e.g. pot scourers,
- melamine eraser blocks,
- sharp metal scrapers.

## Before cleaning



- Switch the appliance off completely by pressing the On/Off rocker switch on the right side underneath the control panel.
- Disconnect the appliance from the mains.
- Take any wine bottles out of the appliance and store them in a cool place.
- Take out any removable parts, e.g. shelves, for cleaning.

## Cleaning the interior and accessories

Use lukewarm water with a little washing-up liquid. Wash all parts and accessories by hand only. Do not wash in a dishwasher.

- Clean the appliance at least once a month.
- Wipe up any spillages immediately. Do not allow them to dry on.
- The wooden shelves should only be wiped with a well-wrung-out damp cloth. **They must not be allowed to get wet.**
- After cleaning, wipe the interior and accessories with a damp cloth and dry with a soft cloth. Leave the door open to air the appliance for a short while.

## Cleaning and care

- Clean the appliance door with a proprietary glass cleaner.

### Ventilation gaps

- The ventilation gaps should be cleaned on a regular basis with a brush or vacuum cleaner. A build-up of dust will increase the energy consumption of the appliance.

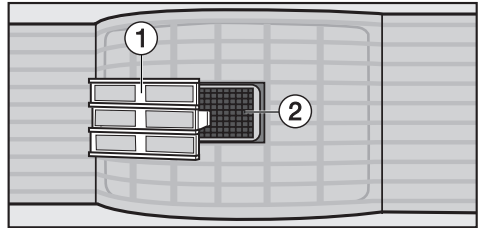
### Door seal

Do not use any oils or grease on the door seal as these will cause the seal to deteriorate and become porous over time.

- The door seal should be cleaned regularly with clean water, and then wiped dry with a soft cloth.

### Active charcoal filter

Replace the active charcoal filters at regular intervals, or if you notice unpleasant odours in the appliance. Replacement filters are available from Miele.



- Remove cover ① from over the filter. Use a screwdriver to ease it off if necessary.
- Remove the used filter ②, and replace with the new active charcoal filter.
- Refit the cover ①.

### After cleaning

- Replace all shelves and accessories in the appliance.
- Reconnect to the mains and switch the appliance back on.
- Place the wine bottles back in the appliance and close the door.



Repairs to electrical appliances should only be carried out by a suitably qualified and competent person in strict accordance with current local and national safety regulations. Repairs and other work by unqualified persons could be dangerous. The manufacturer cannot be held liable for unauthorised work.

## What to do if . . .

### . . . the appliance does not get cool.

- Check whether the appliance has been switched on. If it is switched on, the access sensor will light up in the display.
- Check that the plug is correctly inserted into the socket and switched on.
- Check that the fuse is not defective and that the mains fuse has not tripped. If it has, contact the Miele Service Department.
- Check the temperature settings.

### . . . the temperature inside the appliance is too low.

- Increase the temperature.
- Check that the appliance door has been closed properly.
- Have several bottles of wine been placed in the appliance at the same time?

This makes the compressor run for longer, causing the temperature in the appliance to fall automatically.

### . . . the compressor is switching in too frequently and for too long.

- Check whether the vents in the plinth have been covered over or become too dusty.
- The door has been opened too frequently, or several bottles of wine have been put in at once.
- Check that the appliance door has been closed properly.

### . . . the alarm sounds.

Has the appliance door been open for longer than 5 minutes?

- Close the door.

### . . . the alarm sounds and the sensor for switching off the temperature or door alarm lights up or is flashing.

- The door is open, or
- The temperature in one of the zones has risen significantly because
  - too much warm air from the room has entered the appliance,
  - the vents are blocked or dusty,
  - several bottles of wine have been placed into the appliance at once, or
  - there has been a power cut.

The alarm will stop and the sensor for switching the temperature or door alarm off will go out as soon as the temperature is at the correct level.

## Problem solving guide

### ... A fault message with "F" appears in the temperature display.

There is a fault. Call the Service Department.

### ... the display lighting is not working.

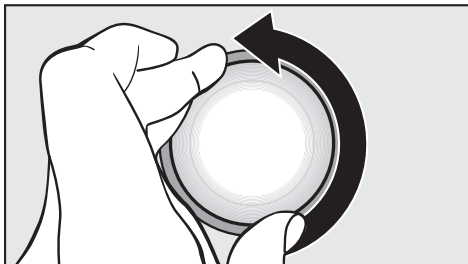
Call the Service Department.

### ... the interior lighting is not working.

To avoid overheating, the lighting switches itself off automatically after approx. 5 minutes if the door is left open. It will come on again after it has cooled down sufficiently.

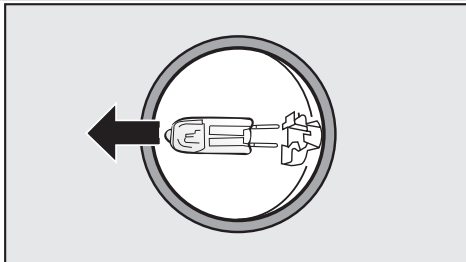
If it does not come on when the door is opened briefly, then the lighting is defective.

- Switch the appliance off by pressing the On/Off rocker switch to the right hand side underneath the control panel.
- Disconnect the appliance from the mains electricity supply.



- Turn the lamp cover anti-clockwise to remove it.

Do not touch halogen lamps with your bare fingers.  
Use a soft cloth when changing a halogen lamp.



- Pull the defective halogen lamp out.
- Fit the new lamp into the holder.  
The following type of halogen lamp is required:  
5 W / 12 V / G 4 cap.
- Replace the lamp cover, turning it clockwise as far as it will go.
- Reconnect the appliance to the electricity supply and switch it on.

### ... a white deposit builds up on the corks of the bottles.

The corks are oxidising through contact with the air.

- Wipe the deposit off with a dry cloth.  
The deposit can have a detrimental effect on the quality of the wine.

### **. . . mildew has begun to form on the wine bottle labels.**

Mildew can begin to form on the labels, depending on the type of adhesive used.

- Wash the wine bottles and remove any adhesive residue.

If you still cannot remedy the fault having followed these suggestions, please contact the Miele Service Department.

To prevent unnecessary loss of temperature it is advisable not to open the door while waiting for the appliance to be serviced.

# Noises

Normal noises	What causes them
<b>Brrrrr...</b>	Humming noise made by the motor (compressor). This noise can get louder for brief periods when the motor is switching on.
<b>Blubb, blubb....</b>	A gurgling noise can be heard when coolant is circulating through the pipes.
<b>Click....</b>	Clicking sounds are made when the thermostat switches the motor on and off.
<b>Sssrrrrr....</b>	On multi-zone and frost-free appliances you can sometimes just hear the movement of air circulating inside the appliance.
	On appliances with a water container, the pump makes a humming noise when water is being drawn into the water container.
<b>Creak ...</b>	Creaking sounds can be heard when material inside the appliance expands.

Remember that the noise of the compressor and the coolant circulating in the system is unavoidable.

Noises that you can easily rectify	Possible cause	Remedy
<b>Rattling, vibrating</b>	The appliance is uneven.	Realign the appliance using a spirit level, by raising or lowering the screw feet underneath the appliance.
	The appliance is touching another appliance or piece of furniture.	Move it away.
	Drawers, baskets or shelves are unstable or sticking.	Check all removable items and refit them correctly.
	Are any bottles or containers unstable or knocking against each other?	Separate them.
	The transport cable clips are hanging loose at the back of the appliance.	Remove the clips.

In the event of any faults which you cannot remedy yourself, or if the appliance is under guarantee, please contact

– your Miele Dealer

or

– The Miele service department.

See the end of this booklet for contact details.

When contacting your Dealer or Miele, please quote the model and serial number of your appliance.

This information is given on the data plate inside the appliance.

Please note that telephone calls may be monitored and recorded for training purposes.

N.B. A call-out charge will be applied to service visits where the problem could have been resolved as described in these instructions.

### Guarantee

For further information on the appliance guarantee specific to your country please contact Miele. See the end of this booklet for contact details.

In the U.K. your appliance is guaranteed for 2 years from the date of purchase. However, you must activate your cover by calling 0845 365 6640 or registering online at [www.miele.co.uk](http://www.miele.co.uk).

## Note for test institutes

---

Testing must be carried out in accordance with the **relevant Norms and Directives**.

In addition, the following manufacturer's instructions should be observed when preparing and carrying out tests:

- **Loading plans,**
- Instructions in the **Operating and installation instructions.**

## Electrical connection U.K.

All electrical work should be carried out by a suitably qualified and competent person in strict accordance with current local and national safety regulations (BS 7671 in the UK).

The appliance is supplied with a mains cable and moulded plug ready for connection to an a.c. single phase 220-240 V 50 Hz supply.

Please ensure that the connection data quoted on the data plate match the household mains supply.

Connection should be made via a suitable switched socket which is easily accessible. It must not be located behind the appliance. For extra safety it is advisable to protect the appliance with a suitable residual current device (RCD).

Do not connect the appliance to the mains electricity supply by an extension lead. Extension leads do not guarantee the required safety of the appliance (e.g. danger of overheating).

This appliance must not be connected to the inverter of an autonomous power supply, e.g. a solar power system. When switching the appliance on, a surge in power could trigger the safety cut-out mechanism. This could damage the electronic unit.

The appliance must not be used with so-called energy saving devices. These reduce the energy supply to the appliance which could then become too warm. Using such devices could alter the specification of the product.

If the connection cable has to be replaced, this must be done by a suitably qualified and competent person.

Do not plug other appliances in behind this appliance

## Non-rewireable plugs (BS 1363)

The fuse cover must be re-fitted when changing the fuse, and if the fuse cover is lost, the plug must not be used until a suitable replacement is obtained. The colour of the correct replacement cover is that of the coloured insert in the base of the plug, or the colour that is embossed in words in the base of the plug (as applicable to the design of the plug fitted).

Replacement fuses should be ASTA approved to BS 1362 and have the correct rating. Replacement fuses and fuse covers may be purchased from your local electrical supplier.

**WARNING**  
**THIS APPLIANCE MUST BE**  
**EARTHED**

# Installation advice

---

## Location

This appliance should not be installed where it is exposed to direct sunlight or directly adjacent to a heat-producing appliance such as an oven or a radiator. The higher the ambient temperature of the room, the more energy the appliance requires to operate. The appliance should be installed in a dry, well-ventilated room.

If installation near a heat source is unavoidable, use a suitable insulation panel and observe the following distances between the appliance and the heat source:

- 3 cm away from an electric oven or cooker
- 30 cm away from an oil- or coal-fired range.

When installing the appliance please be aware:

- The socket must be easily accessible in an emergency, not concealed behind the appliance.
- The plug and cable must not touch the rear of the appliance as they could be damaged by vibrations from the appliance.
- Do not plug in other appliances behind this appliance.

## Climate range

The appliance is designed for use within certain climate ranges (ambient temperatures) and should not be used outside this range. The climate range of the appliance is stated on the data plate inside the appliance.


---

<b>Climate range</b>	<b>Ambient room temperature</b>
SN	+10 °C to +32 °C
N	+16 °C to +32 °C
ST	+16 °C to +38 °C
T	+16 °C to +43 °C

---

Operating in a room which is too cold will cause the compressor to switch off for too long, causing the internal temperature in the appliance to rise with the risk of food deteriorating and going off.



 In regions with a tropical climate, where the temperature is over 38°C and the humidity greater than 70%, the appliance must be installed in an air-conditioned room. Otherwise trouble-free operation is not guaranteed.

Safe operation of the appliance is only assured if it has been installed and connected in accordance with these operating and installation instructions.

**Warning!**  
This appliance is very heavy and can tip forwards when the door is open. Keep the door shut until the appliance has been built in and secured within the building-in niche in accordance with these instructions.  
Due to the size and weight of the appliance, installation must be carried out by two people.

The weight of the appliance when empty is:

**KWT 1602 Vi, KWT 1612 Vi. . . . 153 kg**

# Installation advice

---

## Floor

To ensure the safe installation of the appliance and to guarantee its correct functioning, the floor to the niche where the appliance is to be installed must be smooth and even.

It must be made from strong, rigid material.

The appliance is extremely heavy when fully loaded, and for this reason it is imperative that the floor it stands on is able to bear its weight. If necessary, the advice of an architect or structural engineer should be sought.

When fully loaded, the approx. weight of the appliance is:

**KWT 1602 Vi, KWT 1612 Vi. . . . 319 kg**

## Door hinging

The appliance is supplied with fixed hinges. If you need to change the door hinging to the other side, please contact the Service Department.

On no account should you attempt to change the door hinging yourself. (N.B. Door hinge change not available in all countries).

## Adjoining furniture/units

The appliance is screwed to the adjoining furniture/units to the side and above.

For this reason, it is essential that all furniture/units be fixed to the ground and/or wall.

## Ventilation

The ventilation gaps must not be covered or blocked in any way. They should be dusted on a regular basis.

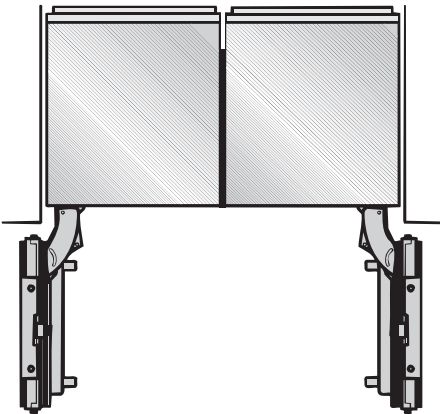
## Side-by-side installation

This appliance may be installed "side-by-side" with another suitable refrigerator or freezer.

A side-by-side installation kit, available from Miele, is required. Ask your dealer which appliances are suitable for side-by-side installation with this appliance.

See the instructions supplied with the side-by-side installation kit for how to fix the appliances together.

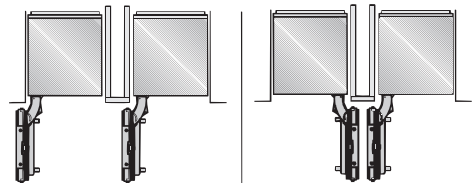
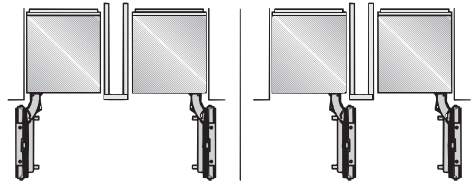
### Joining two appliances together using the side-by-side installation kit



If the appliances are to be installed next to each other without a partition wall between them, they will need to be joined together using the side-by-side installation kit.

### Installation with a partition wall using the side-by-side installation kit

The partition wall must be at least 16 mm thick.



If the partition wall between the two appliances is **between 16 mm and 160 mm** thick, each appliance must be built into its own niche using the assembly parts supplied. The side-by-side installation kit is also required.

### Installation with a partition wall without the side-by-side installation kit

If the partition wall between the two appliances is **more than 160 mm**, each appliance must each be built into its own niche using the assembly parts supplied (without using the side-by-side installation kit).

## Installation advice

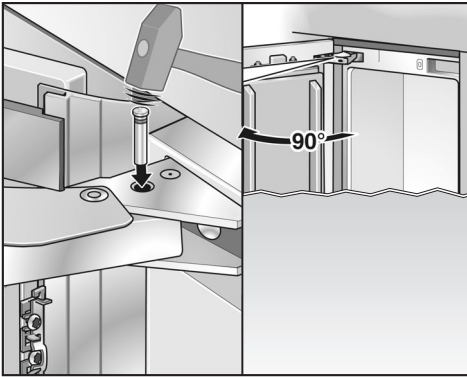
---

### To limit the opening angle of the door

The door hinges are set ex-works to enable the door to be opened wide.

If the appliance door hits an adjacent wall when opened, for example, the opening angle can be limited to 90°.

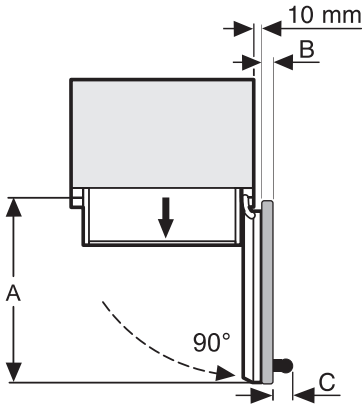
- Open the appliance door.



- Insert the pin into the hinge from above, as shown.

The door opening angle is now limited to 90°.

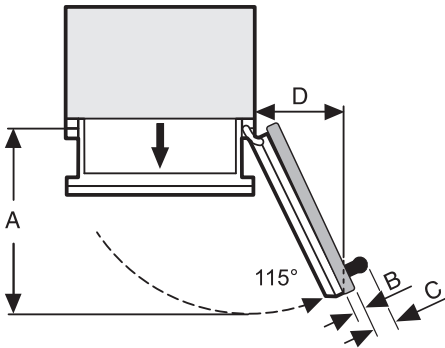
## Appliance door dimensions (opening angle 90°)



\*The dimensions for the door fronts and handles will vary according to the individual kitchen.

	<b>A</b>	<b>B</b>	<b>C</b>
<b>KWT 1602 Vi, KWT 1612 Vi</b>	677 mm	Door front (max. 38 mm)*	Door handle*

## Appliance door dimensions (opening angle 115°)

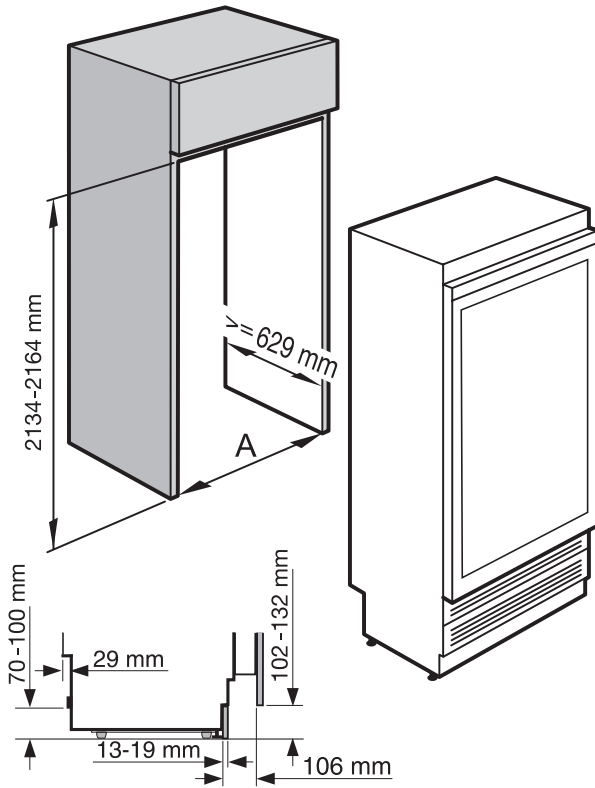


\*The dimensions for the door fronts and handles will vary according to the individual kitchen.

	<b>A</b>	<b>B</b>	<b>C</b>	<b>D</b>
<b>KWT 1602 Vi, KWT 1612 Vi</b>	677 mm	Door front (max. 38 mm)*	Door handle*	299 mm

# Building-in dimensions

---



Niche width

**A**

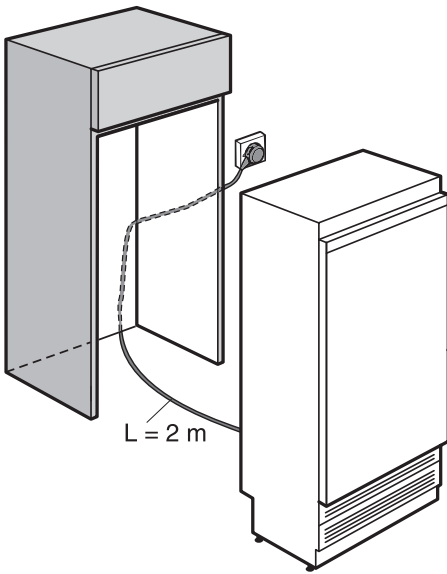
---

**KWT 1602 Vi, KWT 1612 Vi**

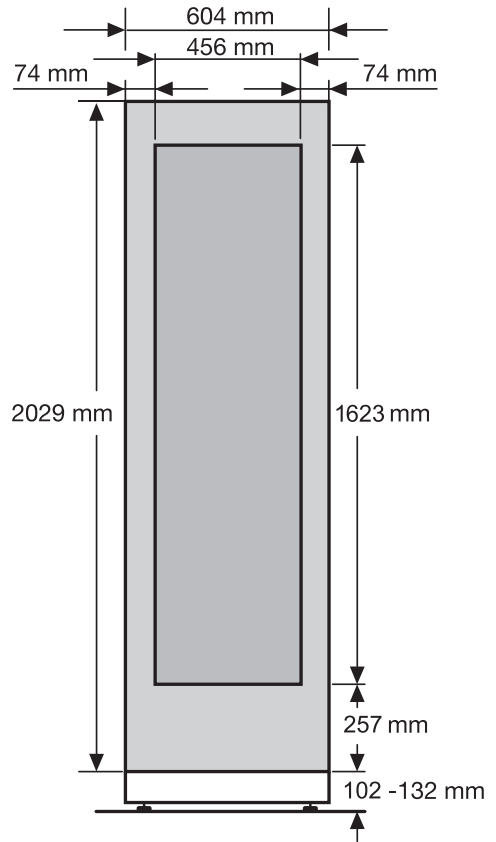
610 mm – 613 mm

# Building-in dimensions

## Laying the electrical cabling



## Door front dimensions



# Installation

---

Due to the size and weight of the appliance, it is essential that installation is carried out by two people.

## Tools and accessories required

- Cordless screwdriver
- TX screwdriver (e.g. TORX)
- Hammer drill
- Drill bits in various sizes, depending on materials
- Hammer
- Socket wrench with: hexagonal bit (8 mm)
- Adhesive tape
- Pipe wrench
- Spirit level
- Try-square

To secure the building-in niche to a wall behind:

- suitable wall plugs/fixing screws depending on the type of wall.

## Other

- Step ladder
- Sack barrow
- Wooden beams (min. 75 mm x 100 mm) if required, to prevent tipping; length depends on width of building-in niche
- Wood screws in various sizes

## Optional accessories

- Side-by-side installation kit for side-by-side installation of two appliances



## Stainless steel fronts

Stainless steel fronts and stainless steel look plinth grilles are available from your dealer or the Miele Spare Parts Department.

## Weight of the door front

Before fitting the door front, ensure that the weight of the front does not exceed the maximum permitted:

Appliance	Max. weight of door front in kg
KWT 1602 Vi, KWT 1612 Vi	62

Fitting a door front which is heavier than the maximum permitted could damage the hinges.

## Building into a peninsular run

When built into a peninsular run, the rear of the building-in niche must be fitted with a kitchen furniture panel.

## Building-in at the end of a run of units

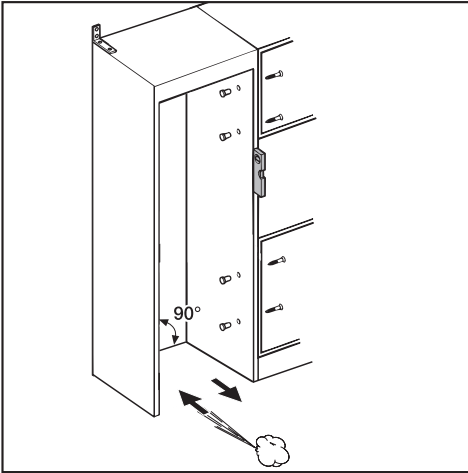
If one side of the appliance is visible, a side panel is required.

The side panel must be fixed to the wall, the floor and any furniture/units above before the appliance is placed in the niche.

The size of the side panel must match that of the furniture panel opposite.

# Installation

## Aligning the building-in niche



The building-in niche must be carefully aligned using a spirit level before installing the appliance. The corners must be at right angles, as otherwise the furniture door will not align correctly with the 4 corners of the building-in niche.

- The side panels of the building-in niche must be even.
- The niche panels must be at least 16 mm thick.
- The plinth facing must be at least 13 mm thick (or preferably 19 mm).

## Checking the building-in niche

- The building-in dimensions now need to be checked.
- Check the position of the electrical connections (see "Electrical connection").

- Check that all surrounding furniture/units are securely fixed to the wall.
- Check the surrounding furniture/units for possible clashes when opening doors.

## Before installation

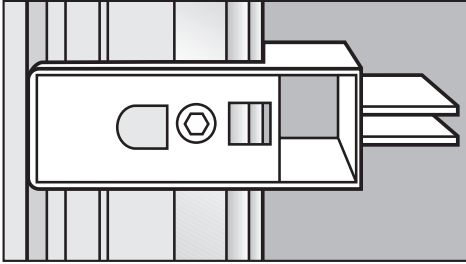
### Warning!

This appliance is very heavy and can tip forwards when the door is open.

- Before installation, take any accessories out of the appliance and/or from the back of the appliance.
- Remove any cable clips from the back of the appliance.
- Check that all parts at the back of the appliance are unhindered. Carefully remove any hindrance.


To protect the floor from damage when installing the appliance,

- secure an off-cut of flooring (e.g. lino) to the floor in front of the installation area.



The appliance can be rolled along the floor using the wheels at the back.

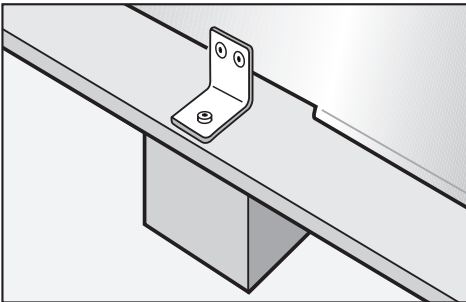
## Preparing the niche

 Keep the door to the appliance closed until it is fixed inside the building-in niche.


Due to the size and weight of the appliance, please ensure that once secured in the niche, it can no longer tip forwards.

- Do **not** remove the installation aids from the appliance door. These will be required later when the appliance is installed in the building-in niche.
- Check the appliance for damage during transportation.

Do not install a damaged appliance!



- Unscrew the bracket that is holding the appliance to the delivery pallet.

 **Warning!**  
Please bear in mind that the appliance is no longer secured to the pallet!

- With the help of several people as required, carefully lift the appliance from the pallet, starting with the back of the appliance.

## Installation accessories

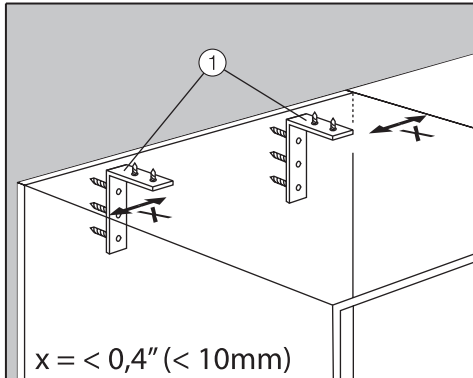
All the fixings required for installation are supplied with the appliance. The plastic bags are marked with letters for easy identification.

Each fitting stage is indicated by the letter on the bag needed for that stage.

# Installation

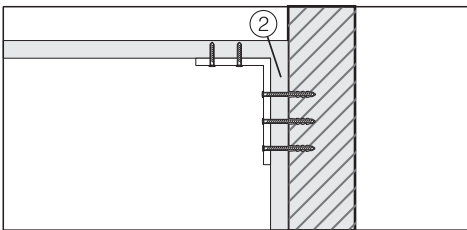
## Anti-tipping mechanism

The anti-tipping mechanism supplied ① is used to secure the building-in niche ② to the wall, preventing the appliance from tipping forwards.



**Danger of tipping.**

The building-in niche must be securely fixed to the wall behind using a number of screws to avoid the appliance tipping when it is fixed into the niche later.



Use two anti-tipping mechanisms for each appliance or four for each side-by-side pair of appliances.



- Place the anti-tipping mechanisms ① on the left- and right-hand sides of the building-in niche, leaving  $< 10$  mm distance to the side walls.
- Mark the drilling position onto the niche back walls and top panel through the holes in the anti-tipping mechanisms.
- Put the anti-tipping mechanisms in a safe place - they will be required later.

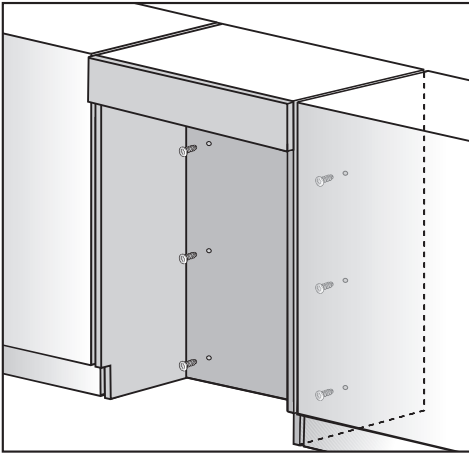
Fixing screws for different uses and types of material are supplied in the accompanying pack.

If these are not suitable for the anti-tipping mechanism in your installation, you will need to secure it by alternative means.



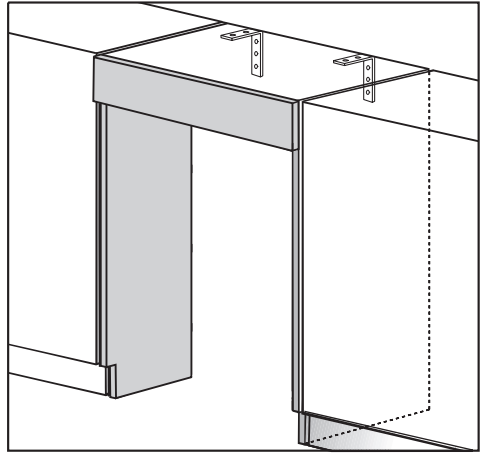
- Secure the building-in niche to the wall.

For a building-in niche **with** a back panel



- screw the back panel directly onto the wall behind in a number of places. Use suitable wall plugs/fixing screws depending on the type of wall.

For a building-in niche **without** a back panel

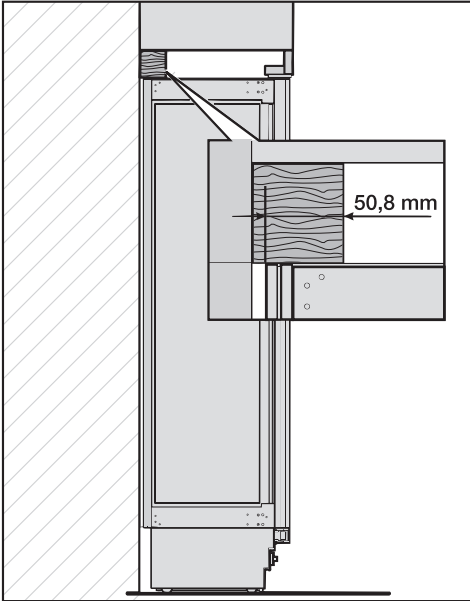


- screw the building-in niche to the wall behind using a number of suitable angled fixing brackets. Use suitable wall plugs/fixing screws depending on the type of wall.

# Installation

## An alternative anti-tipping mechanism

The appliance can alternatively be secured with a wooden beam across the top of the appliance. If this method is used, then there must not be any gap between the appliance and the wooden beam.



- The wooden beam must be at least 75 mm x 100 mm thick.
- The length must be the same as the width of the building-in niche.
- If the building-in niche is deeper than the appliance, a thicker wooden beam should be used.
- The wood must cover the appliance to a depth of at least 50.8 mm (see diagram).

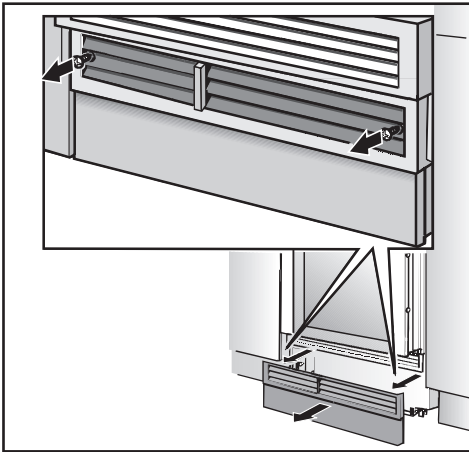
- Mark the position of the lower edge of the wooden beam on the rear wall of the building-in niche.
- Select screws of a length depending on the thickness of the wood.

Use the number of screws appropriate to the niche width to ensure that the wooden beam is securely fixed.

- Check where the upright wall supports are in the back of the niche, and mark the drill holes in the wooden beam accordingly.
- Drill the holes in the wooden beam.
- Secure the wooden beam to the back wall of the niche.

## Placing the appliance in the niche

If you are installing two appliances side by side, now secure the appliances to one another (see the instructions for the side-by-side installation kit).

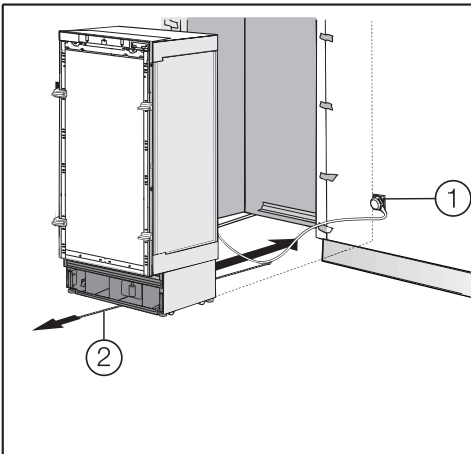


Connection should be made via a suitable switched socket. The socket should be close to the appliance and easily accessible. Otherwise the appliance should be connected via an external all-pole switch with a sufficient contact gap in the open position.

When installing two appliances side by side, each appliance must have its own separate socket.

- Secure the cable to prevent it becoming caught:  
Tie a piece of string to the middle of the cable, and as the appliance is being pushed into the niche, pull the cable forward underneath the appliance ②.
- Push the appliance into the niche.

- Unscrew the plinth facing.



If the appliance does not slide easily into the niche (e.g. if the floor is uneven),

- adjust the rear feet slightly (see "Aligning the appliance").

Then push the appliance into the niche, taking care not to damage the electrical cable.

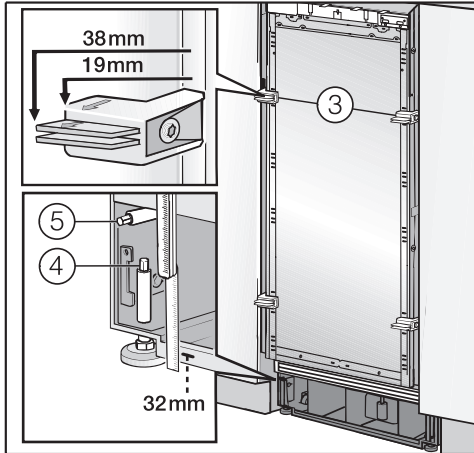
- Remove the edge protector from the adjacent furniture fronts.

- Protect the adjacent furniture fronts.
- Plug in the appliance ①.

# Installation

## Aligning the appliance

- Align the appliance with neighbouring furniture fronts.



The installation aids ③ on the appliance door are suitable for 19 mm or 38 mm furniture door fronts.

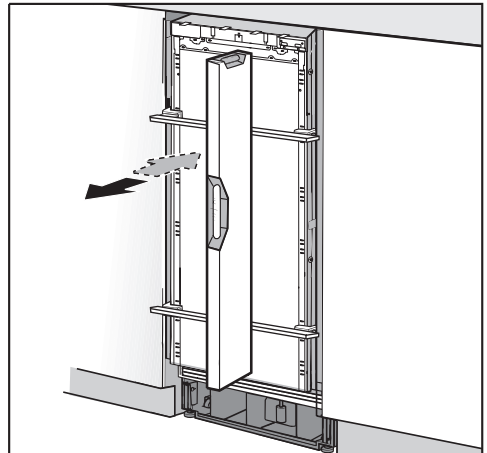
The adjustable feet at the front and back of the appliance can be adjusted from the front.

- Front feet:  
Adjust from the top with a socket wrench with hexagonal bit (8 mm) ④.
- Rear feet:  
Adjust with a (cordless) screwdriver or a socket wrench with hexagonal bit (8 mm) ⑤.
- Place a spirit level on the installation aids ③ on the appliance door to check the appliance's alignment.

Important:  
work methodically when adjusting the feet: always alternately left, right, etc.

- A mark is located on the appliance base. When adjusting the height, this mark needs to be aligned at 32 mm from the floor. Unscrew the feet until the mark on the base has reached 32 mm. The 32 mm mark is for aligning the appliance in a niche height of 2134 mm.

Important:  
Adjust the feet **only until** the marking on the base has reached the 62 mm point (max. niche height 2164 mm).  
Otherwise the rear foot adjustment mechanism will get damaged.

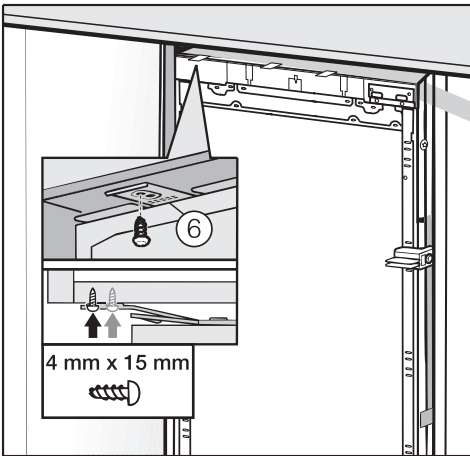


- Check the alignment of the appliance again using the spirit level.



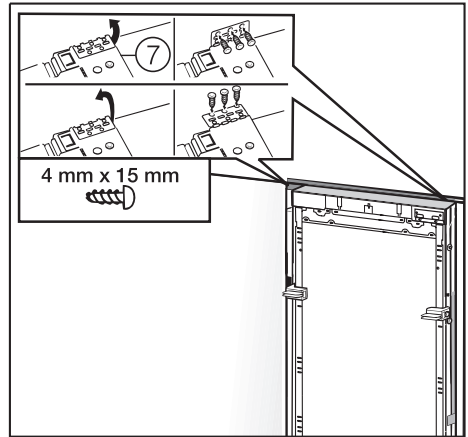
- If a wooden beam has been fitted above the appliance to prevent tipping, the appliance height needs to be adjusted to fit snugly under the wooden beam.

## Securing the appliance in the niche



- Screw the lugs for the fixing plates ⑥ into the furniture/units above the appliance.

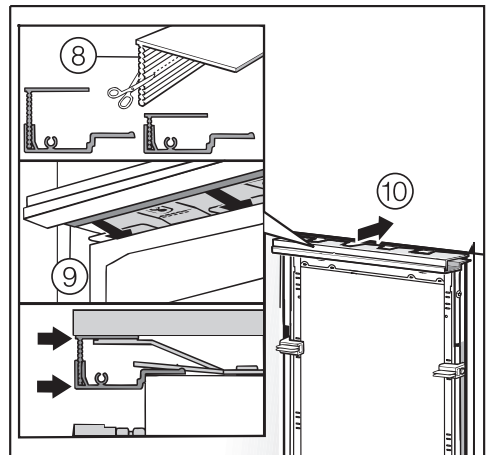
If it is not possible to secure the appliance above, it can be attached to the niche at the sides only.



- Pull out the lugs for the side fixing plates ⑦.



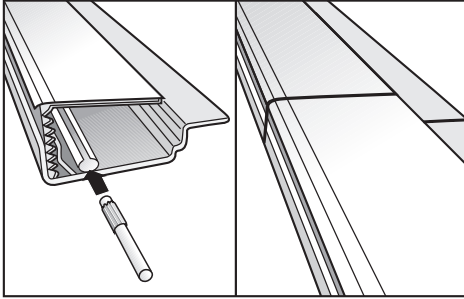
- Screw on the lugs for the side plates.



- If necessary, cut trim ⑧ to the necessary depth.
- Join the two pieces of trim together ⑨.
- Click them into position ⑩.

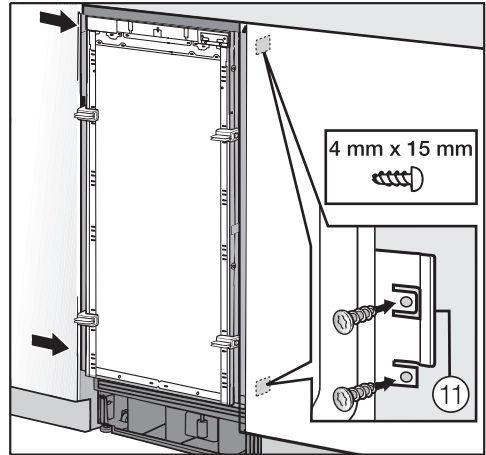
# Installation

When installing two appliances **side by side**, the filler strips for the two appliances need to be joined together to form one long strip.



- Insert the joining peg from the side-by-side kit halfway into the channel in the filler strip for the left-hand appliance.
- Then insert the free half of the joining peg into the channel on the other strip, and press the two strips together.
- Click the two filler strips into place above the appliances.

- Open the appliance door.

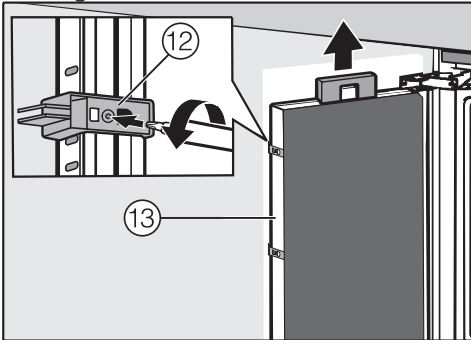


- Screw the lugs for the fixing plates ⑪ into the furniture/units adjacent to the appliance.

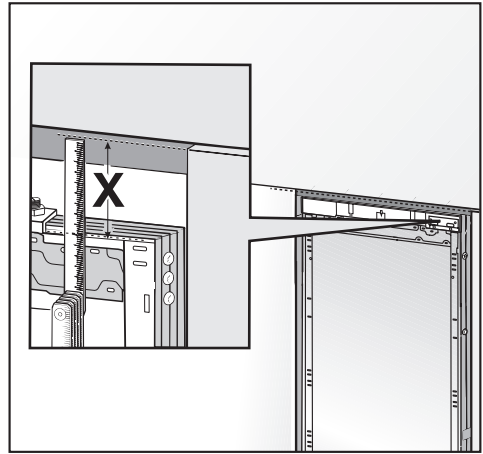
In a side-by-side combination, only the external panels of the two appliances can be secured to the furniture wall.

## Preparing the furniture front

- Open the appliance door as far as it will go.

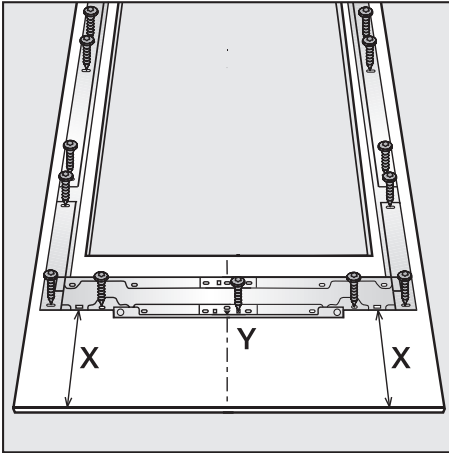


- Unscrew the installation aids (12) and angle trim (13) from the door.
- Put the angle trim (13) and screws in a safe place - they will be required later.
- Take the cover off the light contact switch.
- Close the appliance door.



- Measure gap X between the adjusting bar and the upper edge of the adjacent furniture front.
- Remove the two nuts from the appliance door, and place them in a safe place - they will be required later.
- Place the furniture front on a firm surface, with the external side facing downwards (place on a blanket or similar to avoid it becoming scratched).

# Installation

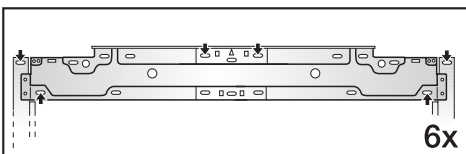


- The fixing frame has several different types of holes to take account of a variety of furniture fronts.
- When securing the frame, always screw into the strongest part of the furniture door.
- To do this, select screws which are slightly shorter than the thickness of the furniture door.
- Screw the appliance handle to the furniture door from the inside.

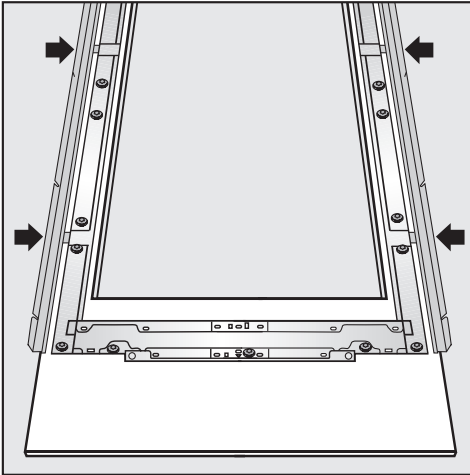
- Mark gap **X** on the inside of the furniture front.
- Similarly, locate and mark the midpoint **Y** on the furniture front.
- Remove the fixing frame from the appliance door and position it corresponding to the markings on the furniture front.
- Pre-drill the holes.
- Screw the fixing frame to the furniture front, using at least one screw for each fixing point.



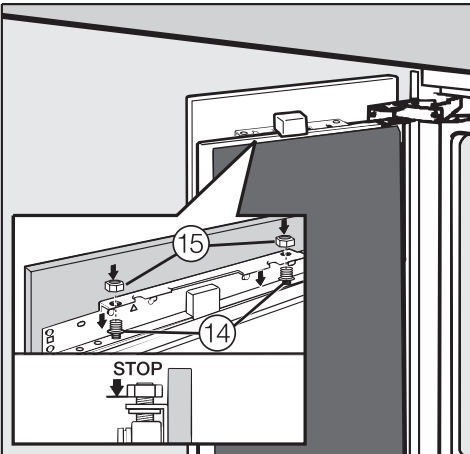
- Secure the fixing frame to the top of the furniture front, using at least 6 screws:



## Securing and aligning the furniture door



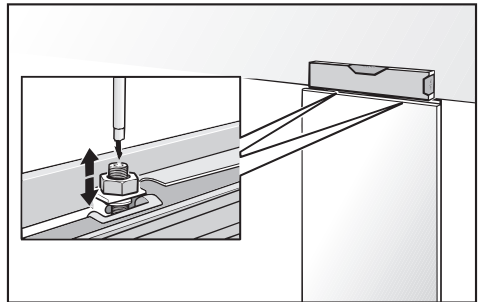
- Insert the angle trim as far as it will go into the spaces in the frame, as shown.



- Open the appliance door and hang the furniture front on its frame onto the threaded bolts, as shown (14)



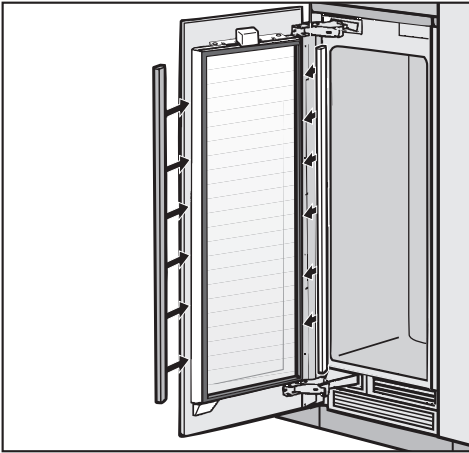
- Press the angle trim on both sides into the white plastic frame, and screw them down securely. Replacement screws for this can be found in the plastic bag marked with the letter E.
- Screw the nuts (15) loosely onto the threaded bolts - but do not tighten yet.
- Close the appliance door and check the distance between the door and neighbouring furniture doors.



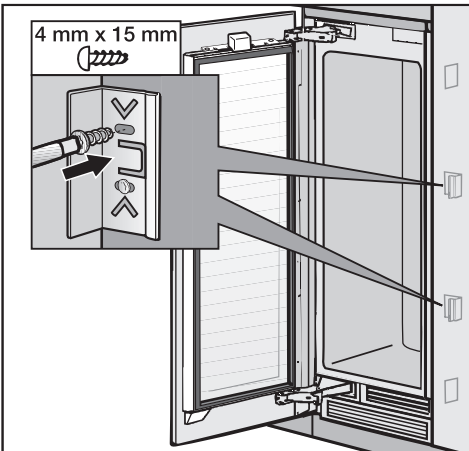
- Align the door to the side by sliding it over the threaded bolts (14).
- Align the depth of the door via the gaps in the angle trim. Then screw the angle trims into position.
- Now tighten the top nuts (15). The door is now fixed.

# Installation

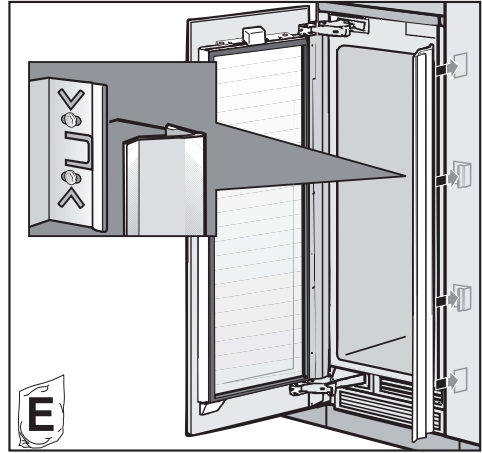
## Securing the covers



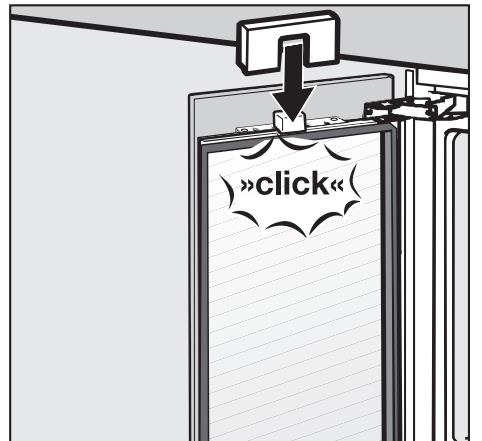
- Fit the two plastic cover strips to the sides of the appliance door, clicking them into the space between the appliance door and the furniture front, starting at the bottom and working up to the top.



- Secure the retaining clips for the space covers on both sides.



- Now attach the covers onto the retaining clips on both sides. In the case of side-by-side installation, the cover strips are only required on the outer side.

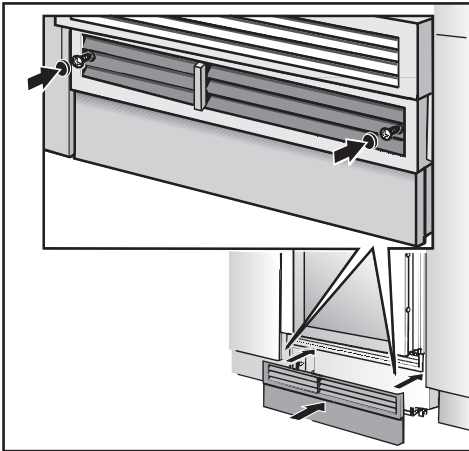


- Fit the cover to the light contact switch so that it clicks into place as shown.

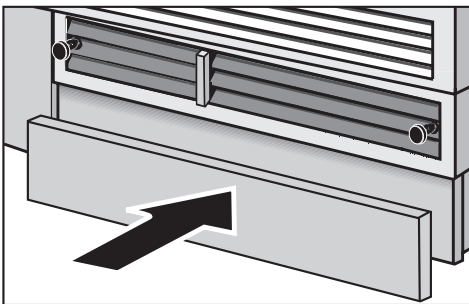
## Fitting the plinth facing

Do not cover the vents in the plinth. This could result in damage to the appliance.

- Trim the plinth facing to the required length and height (cut along the lower edge of the plinth facing where it touches the floor).



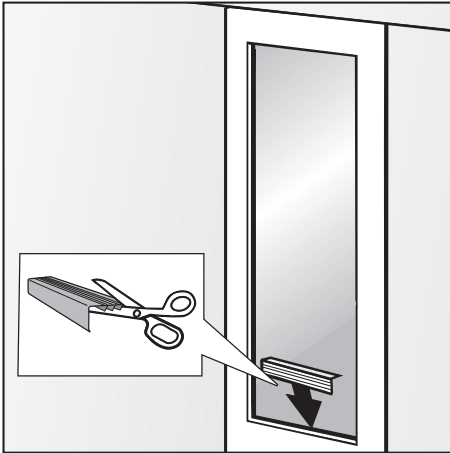
- Secure the plinth to the appliance, and attach the cover caps supplied.



- Now fit the plinth facing.

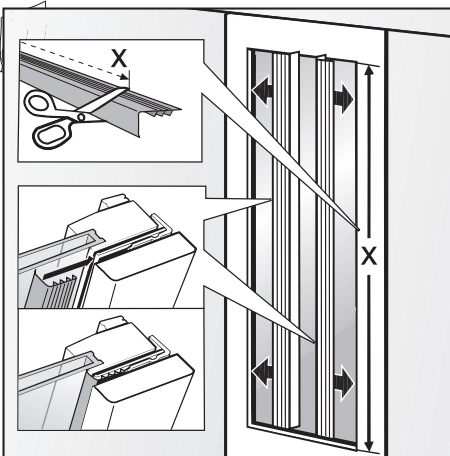
# Installation

## Fitting the door trim



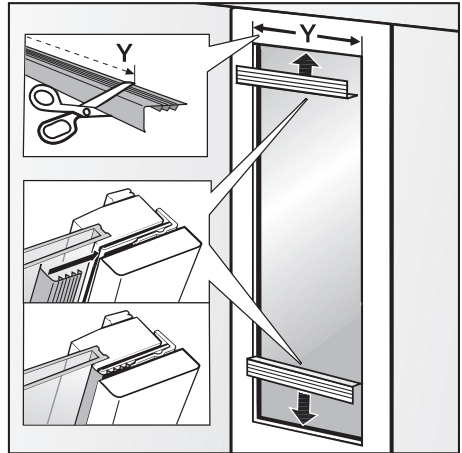
Cut the door trim to the width of the cut-out in the furniture front as required.

An extra length of trim is supplied to help calculate the length required.



- Trim the long pieces of door trim for the right and left sides to the length required **X**.

- Fix the door trim into the gap between the furniture front and the glass panel.

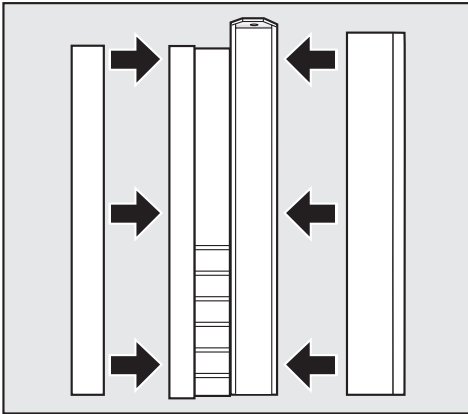


- Cut the short pieces of door trim for the top and bottom of the door to the length required **Y**.
- Fix the door trim into the gap between the furniture front and the glass panel.

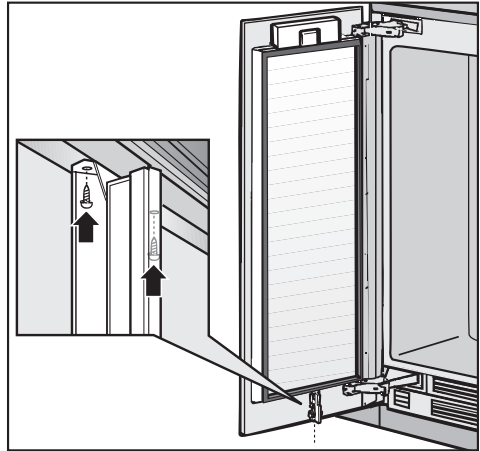


## Fitting the air separator

The air separator in the bottom of the ventilation grille separates air entering the appliance from that leaving it. It also stops warm air flowing into the appliance, which would cause a short circuit.



- If necessary the three parts of the air separator can be shortened to the correct height.
- Replace the foam parts in the sides.



- Screw the air separator to the middle of the appliance door using two screws.



## United Kingdom

Miele Co. Ltd.

Fairacres, Marcham Road

Abingdon, Oxon, OX14 1TW

Tel: 0845 365 0555

Customer Contact Centre Tel: 0845 365 6600

E-mail: [info@miele.co.uk](mailto:info@miele.co.uk)

Internet: [www.miele.co.uk](http://www.miele.co.uk)

## Australia

Miele Australia Pty. Ltd.

ABN 96 005 635 398

1 Gilbert Park Drive, Knoxfield, VIC 3180

Tel: 1300 464 353, Fax: (03) 9764 7149

Internet: [www.miele.com.au](http://www.miele.com.au)

## China

Miele (Shanghai) Trading Ltd.

1-3 Floor, No. 82 Shi Men Yi Road

Jing' an District

200040 Shanghai, PRC

Tel: +86 21 6157 3500, Fax: +86 21 6157 3511

E-mail: [info@miele.cn](mailto:info@miele.cn)

Internet: [www.miele.cn](http://www.miele.cn)

## Miele (Hong Kong) Limited

41/F - 4101, Manhattan Place

23 Wang Tai Road

Kowloon Bay

Hong Kong

Tel: (852) 2610 1331, Fax: (852) 2610 1013

Email: [mielehk@miele.com.hk](mailto:mielehk@miele.com.hk)

## India

Miele India Pvt. Ltd.

Ground Floor, Copia Corporate Suites

Plot No. 9, Jasola

New Delhi – 110025

Tel: 011-46 900 000, Fax: 011-46 900 001

E-mail: [customercare@miele.in](mailto:customercare@miele.in), Internet: [www.miele.in](http://www.miele.in)

## Ireland

Miele Ireland Ltd.

2024 Bianconi Avenue

Citywest Business Campus, Dublin 24

Tel: (01) 461 07 10, Fax: (01) 461 07 97

E-Mail: [info@miele.ie](mailto:info@miele.ie), Internet: [www.miele.ie](http://www.miele.ie)

**Manufacturer:** Miele & Cie. KG

Carl-Miele-Straße 29, 33332 Gütersloh, Germany

# Miele

## Malaysia

Miele Sdn Bhd

Suite 12-2, Level 12

Menara SapuraKencana Petroleum

Solaris Dutamas No. 1, Jalan Dutamas 1

50480 Kuala Lumpur, Malaysia

Phone: +603-6209-0288

Fax: +603-6205-3768

## New Zealand

Miele New Zealand Limited

8 College Hill

Freemans Bay, Auckland 1011, NZ

Tel: 0800 264 353, Fax: 0800 463 453

Internet: [www.miele.co.nz](http://www.miele.co.nz)

## Singapore

Miele Southeast Asia

Miele Pte. Ltd.

163 Penang Road

# 04 - 02/03 Winsland House II

Singapore 238463

Tel: +65 6735 1191, Fax: +65 6735 1161

E-Mail: [infosea@miele.com.sg](mailto:infosea@miele.com.sg)

Internet: [www.miele.sg](http://www.miele.sg)

## South Africa

Miele (Pty) Ltd

63 Peter Place, Bryanston 2194

P.O. Box 69434, Bryanston 2021

Tel: (011) 875 9000, Fax: (011) 875 9035

E-mail: [info@miele.co.za](mailto:info@miele.co.za)

Internet: [www.miele.co.za](http://www.miele.co.za)

## United Arab Emirates

Miele Appliances Ltd.

P.O. Box 11 47 82

Gold & Diamond Park

Sheikh Zayed Road

Building 6 / Offices Nos. 6-214 to 6-220

Dubai

Tel: +971-4-341 84 44

Fax: +971-4-341 88 52

E-Mail: [info@miele.ae](mailto:info@miele.ae), Internet: [www.miele.ae](http://www.miele.ae)

KWT 1602 Vi  
KWT 1612 Vi