

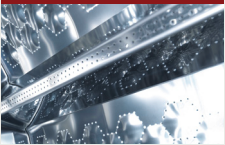


PWM 520 | 45 lbs. PERFORMANCE

Features

- M Touch Pro color display
- Short program cycles
- Patented Honeycomb Drum 2.0
- 3D imbalance monitoring
- G-force of 361
- High durability: tested for 30,000 operating hours
- Simple and safe operation with automatic door lock
- Low consumption values

Exclusive to Miele



Patented Honeycomb Drum 2.0

The scoop rib perforations in the Honeycomb Drum 2.0 cause water to shower down on the load, guaranteeing thorough soaking.



Short Program Cycles

Premium commercial technology allows you to benefit from quick and efficient program cycles.



EcoSpeed Patented Wash Process

The EcoSpeed washing process features an optimized drum rhythm and enhanced washing action, allowing intensive cleaning performance with reduced water usage.



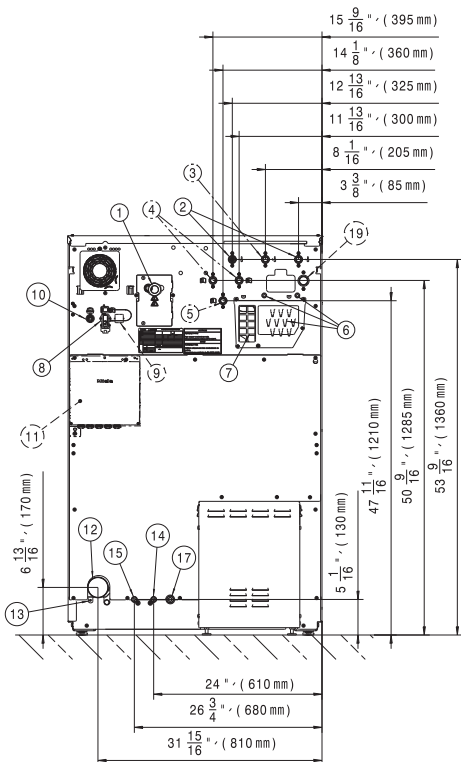
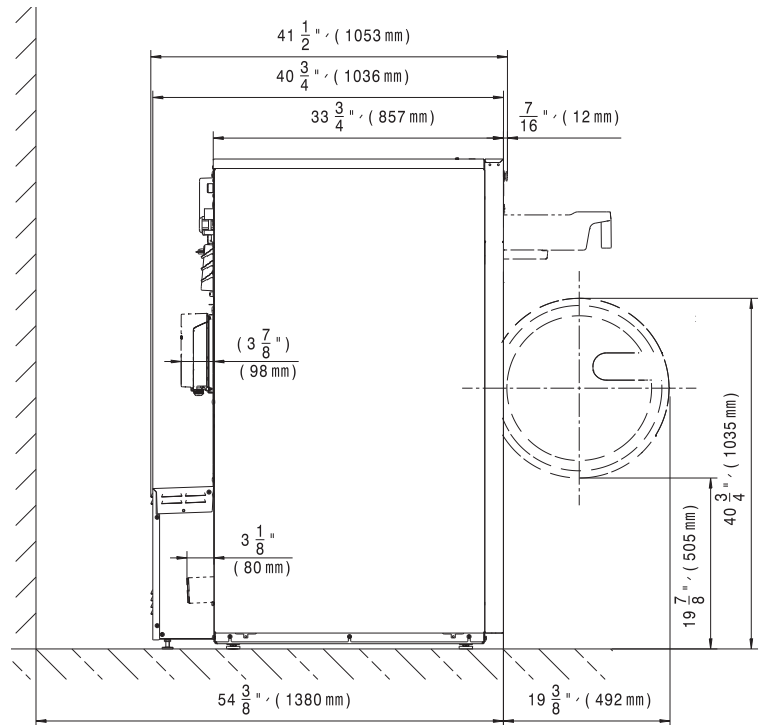
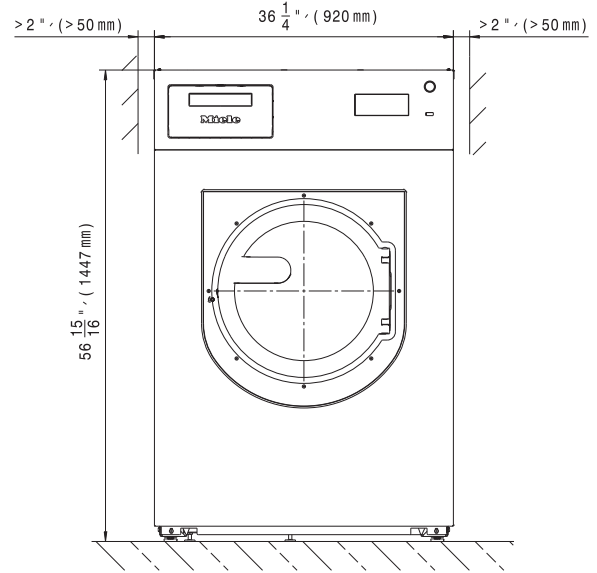
Automatic Door Lock

Easy to open and close. A light touch and the door locks on its own at the beginning of the program. The door opens automatically at the end of the program.

Model	Heat Type	Electrical Specification Voltage/Hz/Phase (Amp)	Color	Material No.	Article No.
PWM 520	No Heater	240/60/1 (2 x 20 A)	Iron Grey	11803290	51520026NAM

Specifications

Capacity	45 lbs. (20 kg)
Cylinder Diameter	16 ^{5/16} in. (415 mm)
Cylinder Depth	18 ^{1/8} in. (461 mm)
Cylinder Volume	6.4 cu.ft. (180 l)
Machine Dimensions (WxDxH)	36 ^{3/8} x 41 ^{1/2} x 57 ^{1/16} in. (924 x 1,053 x 1,450 mm)
Door Opening	15 ^{5/16} in. (415 mm)
Floor to Door	30 ^{1/16} in. (763 mm)
Reversible Door	No
Shipping Dimensions (WxDxH)	43 x 44 ^{1/2} x 62 ^{3/8} in. (1,090 x 1,130 x 1,585 mm)
Net Weight	886.3 lbs. (402 kg)
Crated Weight	939.2 lbs. (426 kg)
Wash Speed	38 rpm
Extract Speed	950 rpm
G-force	361
Water Inlets	7 x 3/4 in. (178 x 19 mm)
Hot Water (No Heater version)	1 x 1 in. (26 x 26 mm)
Drain Diameter	2 ^{3/4} in. (70 mm)
Recommended Water Pressure	14.5 -145 psi
Water Flow	52.8 gal/min. (200 l/min.)
Min. Recommended Distance Between Machines	2 in. (50 mm)
Agency Approvals	Intertek



Heating	Voltage (Voltage/Hz/Phase)	Wire	Circuit Breaker Amps	Running Amps	Total Power (kW)
No Heater	240/60/1	2 Wire + Ground	20	17	3.1

Specifications subject to change without notice or obligation.
 Contact Miele USA at (800) 991-9380 or Miele Canada at
 (888) 325-3957 for dimensions not shown or for clarification.