

THE BENCHMARK MACHINES

OPL ON-PREMISE LAUNDRY



No Heater



Electric Heating

Up to **7** Years Warranty



PWM 912 | 25 lbs. PERFORMANCE PLUS

FEATURES

- M Touch Pro Plus freely programmable color display
- Short program cycles
- Patented Honeycomb Drum 2.0
- 3D imbalance monitoring
- G-force of 458
- High durability: tested for 30,000 operating hours
- Safe disinfection
- Low consumption values

Exclusive to Miele



Patented Honeycomb Drum 2.0

The scoop rib perforations in the Honeycomb Drum 2.0 cause water to shower down on the load, guaranteeing thorough soaking.



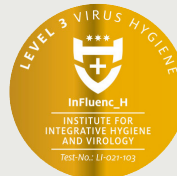
Short Program Cycles

Premium commercial technology allows you to benefit from quick and efficient program cycles.



EcoSpeed Patented Wash Process

The EcoSpeed washing process features an optimized drum rhythm and enhanced washing action, allowing intensive cleaning performance with reduced water usage.



Proven Hygiene

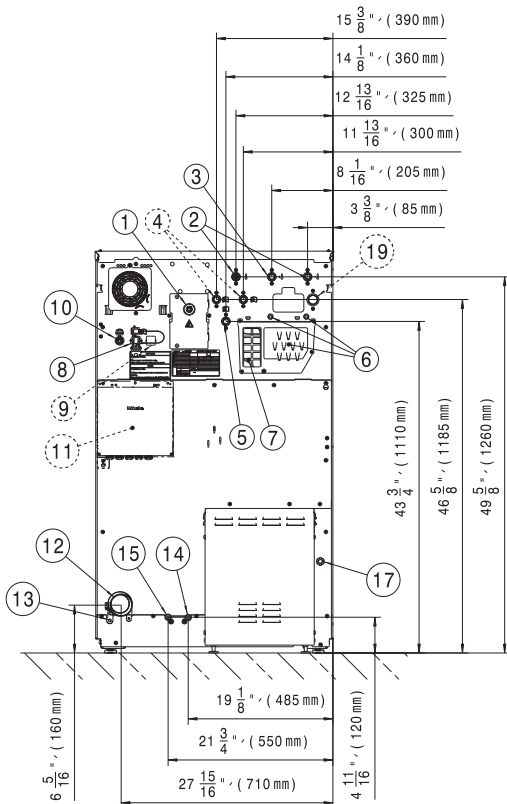
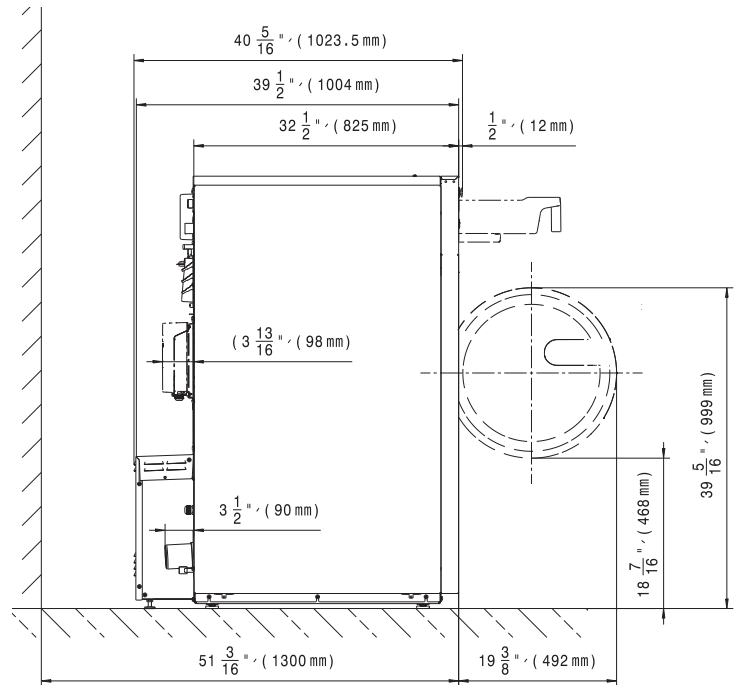
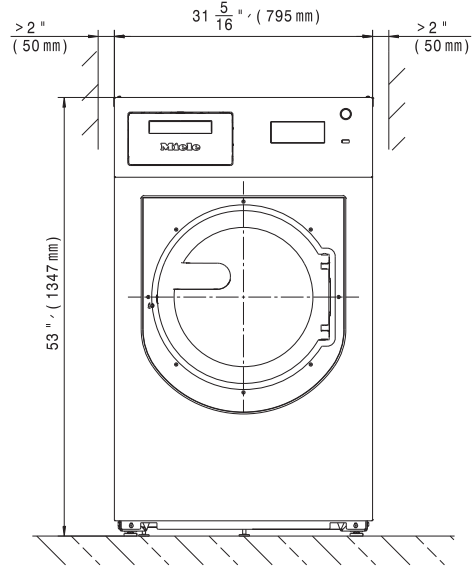
Our washing machines in the Benchmark series remove more than 99.9% of all viruses (including coronaviruses).*

*May not apply for No Heater version.

Model	Heat Type	Electrical Specification Voltage/Hz/Phase (Amp)	Color	Material No.	Article No.
PWM 912	No Heater	240/60/1 (2 x 20 A)	Iron Grey	11803090	51912009NAM
PWM 912	No Heater	240/60/1 (2 x 20 A)	Stainless Steel	11803080	51912059NAM
PWM 912	Electric	208, 240/60/3 (3 x 30 A)	Stainless Steel	11803070	51912017NAM

Specifications

Capacity	25 lbs. (11 kg)
Cylinder Diameter	16 ⁵ / ₁₆ in. (415 mm)
Cylinder Depth	15 ³ / ₈ in. (391 mm)
Cylinder Volume	3.9 cu.ft. (110 l)
Machine Dimensions (WxDxH)	31 ⁷ / ₁₆ x 40 ¹⁵ / ₁₆ x 53 ¹ / ₈ in. (799 x 1,023.5 x 1,350 mm)
Door Opening	16 ⁵ / ₁₆ in. (415 mm)
Floor to Door	18 ⁷ / ₁₆ in. (468 mm)
Reversible Door	No
Shipping Dimensions (WxDxH)	42 ¹⁵ / ₁₆ x 44 ¹ / ₂ x 58 ¹ / ₄ in. (1,090 x 1,130 x 1,480 mm)
Net Weight	626 - 668 lbs. (284-303 kg)
Crated Weight	677-939 lbs. (307-426 kg)
Wash Speed	43 rpm
Extract Speed	1,150 rpm
G-force	458
Water Inlets	7 x ³ / ₄ in. (178 x 19 mm)
Hot Water (No Heater version)	1 x 1 in. (26 x 26 mm)
Drain Diameter	2 ³ / ₄ in. (70 mm)
Recommended Water Pressure	14.5 - 145 psi
Water Flow	52.8 gal/min. (200 l /min.)
Min. Recommended Distance Between Machines	2 in. (50 mm)
Agency Approvals	Intertek



Heating	Voltage (Voltage/Hz/Phase)	Wire	Circuit Breaker Amps	Running Amps	Total Power (kW)
No Heater	240/60/1	2 Wire + Ground	20	16	2.3
Electric	208, 240/60/3	3 Wire + Ground	30	24.6	10.4

Specifications subject to change without notice or obligation.
Contact Miele USA at (800) 991-9380 or Miele Canada at (888) 325-3957 for dimensions not shown or for clarification.