

## THE BENCHMARK MACHINES

OPL ON-PREMISE LAUNDRY



Gas Heating



Electric Heating



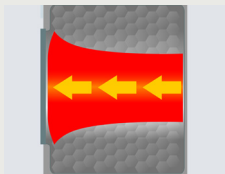
Up to **7** Years Warranty



## PDR 528 ROP | 60 lbs. PERFORMANCE

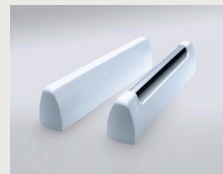
### Features

- M Select ROP residual moisture control
- Short program cycles
- Patented Honeycomb Drum
- PerfectDry system – residual moisture sensors
- Intelligent dryers – gentle and uniform
- Perfect anti-crease
- Economical and efficient
- LAN/WiFi capable (accessory required)



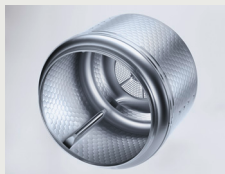
### Axial airflow

For perfect drying results, air is passed through the drum according to the principle of longitudinal air flow.



### SoftLift drum ribs ensure gentle fabric care

The SoftLift drum ribs allow laundry to be dried gently and evenly.



### Honeycomb Drum

Less folding, easy finishing: laundry is dried very gently and evenly in the Honeycomb Drum.



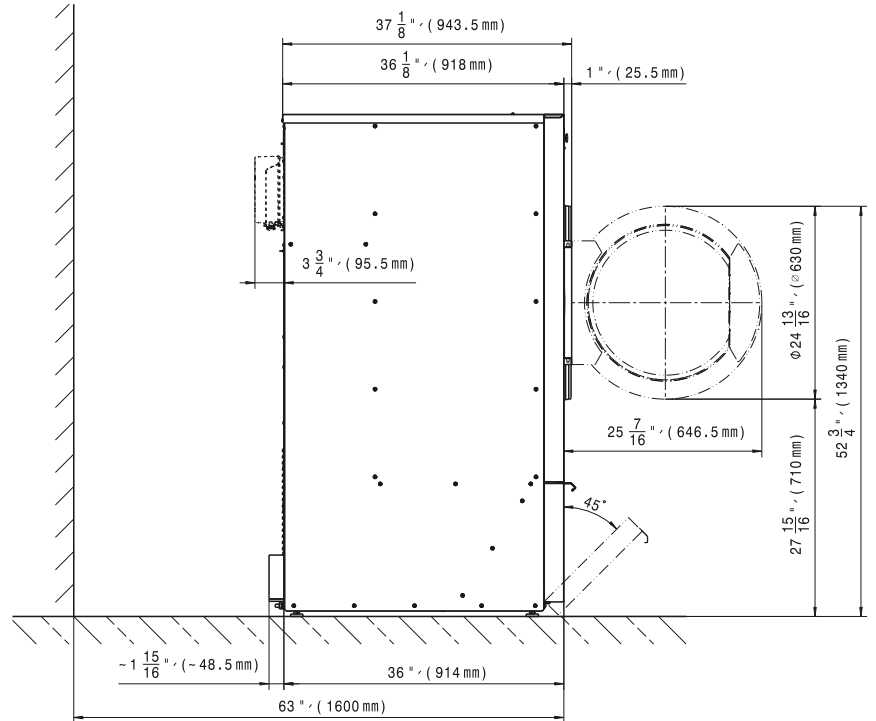
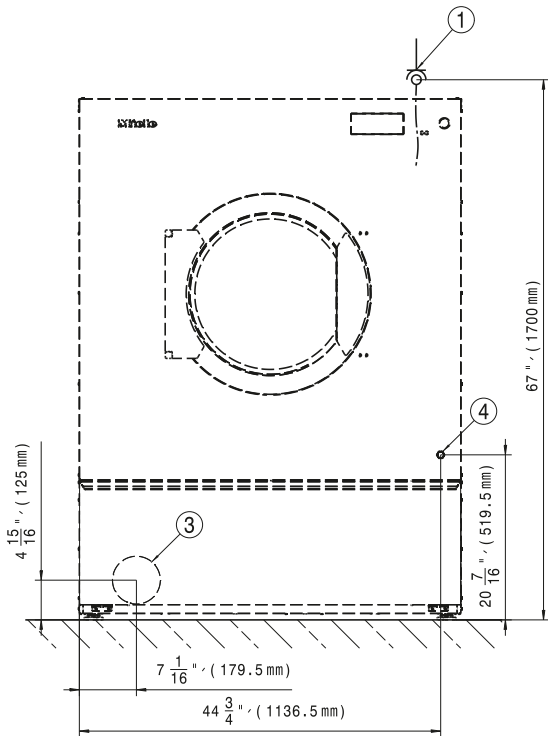
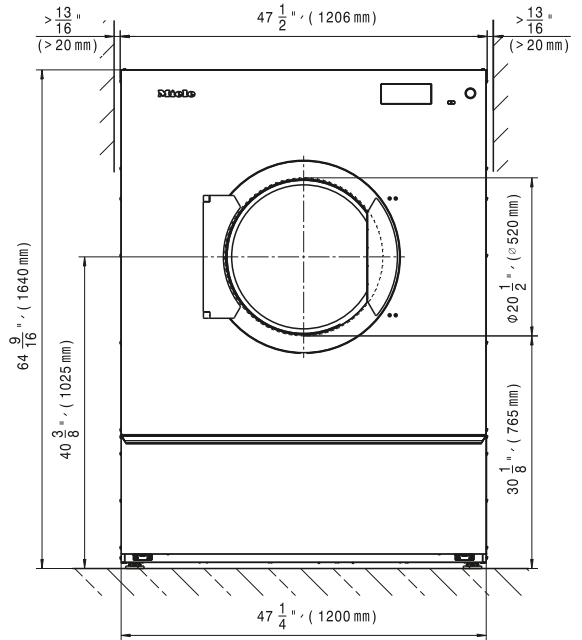
### Large fluff filter

The very large filter surface is particularly easy to clean.

Model	Heat Type	Electrical Specification Voltage/Hz/Phase (Amp)	Color	Material No.	Article No.
PDR 528 ROP	Gas	208, 240/60/1 (2 x 15 A)	Iron Grey	12012370	52528010NAM
PDR 528 ROP	Gas	208, 240/60/1 (2 x 15 A)	Stainless Steel	12012360	52528009NAM
PDR 528 ROP	Electric	208, 240/60/3 (3 x 100 A)	Iron Grey	12012350	52528008NAM
PDR 528 ROP	Electric	208, 240/60/3 (3 x 100 A)	Stainless Steel	12012340	52528007NAM

## Specifications

Capacity	60 lbs. (27 kg)
Cylinder Diameter	43 <sup>5</sup> / <sub>16</sub> in. (1,100 mm)
Cylinder Depth	22 <sup>1</sup> / <sub>16</sub> in. (561 mm)
Cylinder Volume	17.7 cu.ft. (500 l)
Machine Dimensions (WxDxH)	47 <sup>1</sup> / <sub>2</sub> x 40 <sup>1</sup> / <sub>8</sub> x 64 <sup>9</sup> / <sub>16</sub> in. (1,206 x 1,019 x 1,640 mm)
Door Opening	20 <sup>1</sup> / <sub>2</sub> in. (520 mm)
Floor to Door	27 <sup>15</sup> / <sub>16</sub> in. (710 mm)
Reversible Door	Yes
Shipping Dimensions (WxDxH)	54 <sup>3</sup> / <sub>4</sub> x 43 <sup>5</sup> / <sub>8</sub> x 69 <sup>1</sup> / <sub>2</sub> in. (1,390 x 1,108 x 1,766 mm)
Net Weight Gas   EL	543 lbs. (246 kg)   537 lbs. (243 kg)
Crated Weight Gas   EL	576 lbs. (261 kg)   569 lbs. (258 kg)
Min. Recommended Distance Between Machines	13/16 in. (20 mm)
Agency Approvals	Intertek



Heating	Voltage (Voltage/Hz/Phase)	Wire	Circuit Breaker Amps	Running Amps	Total Power (kW)
Gas	208, 240/60/1	2 Wire + Ground	15	7	1.2
Electric	208, 240/60/3	3 Wire + Ground	100	77	30.6

Specifications subject to change without notice or obligation. Contact Miele USA at (800) 991-9380 or Miele Canada at (888) 325-3957 for dimensions not shown or for clarification.