

**Miele**



Quick Start Guide  
Commercial tumble dryer  
PDR 910 G  
Gas-heated

---




To avoid the risk of accidents or damage to the machine, it is **essential** to read these instructions before it is installed and used for the first time.

en-GB

M.-Nr. 12 431 150

# Contents

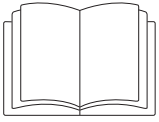
---

<b>Warning and Safety instructions</b> .....	<b>4</b>
Extended documentation .....	4
Take these safety precautions if you smell gas .....	5
Installation site .....	5
Appropriate use .....	5
Foreseeable misuse .....	6
Technical safety .....	7
Correct use .....	9
Accessories .....	10
<b>Description of the machine</b> .....	<b>11</b>
<b>Operating the tumble dryer</b> .....	<b>12</b>
Control panel.....	12
Sensor controls and touch display with sensor controls.....	13
Main menu .....	13
“  Programmes” menu.....	13
“  Favourites” menu.....	13
“  Supervisor” menu .....	13
Operating examples .....	13
Selection lists.....	13
Setting numerical values .....	14
Pull-down menu.....	15
Exiting the menu .....	15
Help display.....	16
<b>Drying</b> .....	<b>17</b>
1. Notes on correct laundry care .....	17
Washing before drying .....	17
Removing foreign objects .....	17
Care symbols.....	17
2. Loading the tumble dryer.....	18
3. Selecting a programme .....	18
Switching on the tumble dryer .....	18
4. Selecting programme settings.....	19
Select the drying level.....	19
Selecting extra options .....	19
5. Starting a programme .....	21
Payment device (optional).....	21
Calling up current programme parameters .....	21
Programme running time/Time left estimation .....	21
End of the programme .....	22
End of programme .....	22
Removing the laundry .....	22
Care notes .....	22
Timer .....	23
Prerequisite for setting the timer .....	23
Setting the timer.....	23
<b>Problem solving guide</b> .....	<b>24</b>
Fault diagnosis .....	24

<b>Installation</b> .....	<b>26</b>
Installation locations.....	26
Front view .....	26
Side view.....	26
Rear view .....	26
View from above .....	27
Installation on a plinth.....	27
Installation.....	28
Transporting the tumble dryer .....	28
Levelling .....	29
Securing the tumble dryer against slipping .....	29
Electrical connection .....	30
Supply air and exhaust air management.....	31
Ventilation.....	31
Design of the exhaust air management system.....	31
Calculating the total ducting length .....	32
Exhaust duct dimensions .....	33
Exhaust air management with plug-in pipes.....	34
Exhaust air management with flexible aluminium hose.....	35
Shared exhaust air ducts .....	35
Gas .....	37
Connection and conversion instructions .....	37
Tables.....	38
<b>Connectivity</b> .....	<b>42</b>
Pairing instructions .....	42
Opening the supervisor level .....	42
Establishing the network connection via WPS .....	42
Establishing the network connection via soft AP .....	42
Establishing the network connection using a LAN cable.....	42
Technical data .....	43
<b>Technical data</b> .....	<b>44</b>
UK declaration of conformity.....	44

## Warning and Safety instructions

---



- It is essential to read these instructions.

### Extended documentation

This document contains essential information. You can access the full operating instructions and other up-to-date documentation for your appliance on the Miele website:

<https://www.miele.co.uk/professional/user-manuals-177.htm>



In order to access the documentation, you will need the model number or serial number for your appliance. This information can be found on the appliance's data plate.

This tumble dryer complies with all current local and national safety requirements. However, inappropriate use can lead to personal injury and damage to property.

Read the operating instructions carefully before using the tumble dryer. They contain important information on safety, installation, use and maintenance. This prevents both personal injury and damage to the tumble dryer.

In accordance with standard IEC 60335-1, Miele expressly and strongly advises that you read and follow the instructions in the chapter on installing the tumble dryer as well as the safety instructions and warnings.

Miele cannot be held liable for damage caused by non-compliance with these instructions.

Keep these operating instructions in a safe place and pass them on to any future owner.

When instructing other people how to use the tumble dryer, they must be made aware of these safety and warning instructions.

During installation, the technical regulations for gas installations as well as national and regional building regulations, fire regulations and specifications from the relevant gas supply companies must be adhered to.

When planning a gas-heated system, contact the relevant gas supply company and a building regulations inspector.

- In the event of a fault or when carrying out cleaning and maintenance, the on-site manual gas shut-off valve and the shut-off device on the gas meter must be closed.
- Before completing commissioning, maintenance, conversion and repair work, all gas-conducting components – from the manual shut-off valve to the burner jet – must be checked for leaks. Particular attention must be paid to the measurement connections on the gas valve and on the burner. Checks must be performed when the burner is both switched on and switched off.
- Carry out an annual visual inspection of the gas supply and gas products in the property. This inspection must comply with applicable national regulations.

### Take these safety precautions if you smell gas

- Extinguish all flames immediately.
- Close the on-site gas shut-off device, the gas shut-off device on the gas meter or the main gas shut-off device immediately.
- Open all windows and doors immediately.
- Do not light any naked flames (e.g. matches or lighters).
- Do not smoke.
- If there is the smell of gas in a room, never enter the room with a naked flame.
- Do not carry out any actions that will create electrical sparks (such as pulling out electrical plugs or pressing electrical switches or bells).
- If you cannot find the cause of the gas smell and all gas valves have been shut off, please call the gas supply company immediately.

If other persons are being shown how to operate the appliance, they must be given and/or made aware of these important safety precautions.

### Installation site

Gas-heated tumble dryers must **not** be operated in a room where cleaning machines operate with solvents containing perchloroethylene or CFCs. During combustion, any vapours that are emitted will break down into hydrochloric acid, leading to consequential damage affecting laundry and the appliance. Air exchange must not take place if appliances are set up in separate rooms.

Rooms with fuel-burning installations must be adequately aerated and ventilated. Any gas-heated appliance must be considered to be a fuel-burning installation (regardless of its gas flow rate).

If no low pressure occurs when a full fire is burning in all fuel-burning installations, this means that the room ventilation is working properly, even if the exhaust gases from the installations are being extracted mechanically. This ensures that the gas is being combusted correctly and that the exhaust gases are being evacuated completely.

It must not be possible to seal off aeration and ventilation openings.

⚠ Before completing commissioning, maintenance, conversion and repair work, all gas-conducting components – from the manual shut-off valve to the burner jet – must be checked for leaks.

Particular attention must be paid to the measuring stubs on the gas valve. Checks must be performed when the burner is both switched on and switched off.

### Appropriate use

- ▶ The tumble dryer is intended for installation in a commercial environment.
- ▶ This tumble dryer is only intended for drying fabrics which have been washed in a water solution, and marked on the manufacturer's care label as being suitable for tumble drying. "Dry cleaning kits" for freshening up garments in a tumble dryer are increasingly available on the market. If using, do so at your own risk, and follow the instructions provided on the packaging. Any other applications may be dangerous. Miele cannot be held liable for damage resulting from incorrect or improper use or operation.
- ▶ The tumble dryer is not intended for outdoor use.
- ▶ The tumble dryer must not be used in a non-stationary location (e.g. on a ship).
- ▶ Do not install the tumble dryer in a room where there is a risk of frost. At temperatures around freezing point, the tumble dryer may not be able to operate properly. The permitted room temperature is between 2 °C and 40 °C.

## Warning and Safety instructions

---

- ▶ If the machine is used in a commercial environment it may only be operated by instructed/trained personnel. If the machine is used in a publicly accessible area, the supervisor must ensure that it can be operated safely without risk of danger.
- ▶ This appliance can only be used by people with reduced physical, sensory or mental capabilities, or lack of experience or knowledge, if they are supervised whilst using it or have been shown how to use it in a safe way and understand and recognise the consequences of incorrect operation.
- ▶ Children under 8 years of age must be kept away from the tumble dryer unless they are constantly supervised.
- ▶ Children 8 years and older may only use the tumble dryer unsupervised if they have been shown how to use it safely and recognise and understand the consequences of incorrect operation.
- ▶ Children must not be allowed to clean or maintain the tumble dryer unsupervised.
- ▶ Please supervise children in the vicinity of the tumble dryer and do not let them play with it.
- ▶ This tumble dryer may also be operated in public areas.
- ▶ Any uses other than those listed above are prohibited. The manufacturer accepts no liability in such cases.

### Foreseeable misuse

- ▶ Do not make any alterations to the tumble dryer, unless authorised to do so by Miele.
- ▶ In the case of parts that have been sealed by Miele, the seals must not be broken. If these seals need to be broken in order to carry out a repair or conversion, they must be replaced following the inspection.
- ▶ Do not lean on the tumble-dryer door. Otherwise, the tumble dryer may tip over, causing injury to yourself or others.
- ▶ Do not use a pressure washer or water jet to clean the tumble dryer.
- ▶ The tumble dryer must be serviced in a timely and professional manner. Otherwise, there is a potential risk of loss in performance, faults and fire.
- ▶ Benzine, petrol, paraffin, or any easily flammable liquid must not be stored or used near the machine. Danger of explosion.
- ▶ Do not expose the dryer to air which is contaminated with vapour of chlorine, fluorine or other solvents. Danger of fire.
- ▶ To prevent the risk of fire, the following items must not be dried in this tumble dryer:
  - Items which have not been washed.
  - Items which have not been thoroughly cleaned and are still soiled with grease, oil or other deposits (such as kitchen linens or cosmetics cloths with cooking oils, grease, lotions, etc). If items have not been thoroughly cleaned, there is a danger that they might ignite when heated, even after they have been removed from the tumble dryer at the end of the programme.
  - Items (e.g. mops and floor cloths) that have been treated with inflammable cleaning agents or which contain residues of acetone, alcohol, benzene, petrol, kerosene, stain remover, turpentine, wax and wax remover or other chemicals.
  - Items which have been splashed with hair lacquer, hair spray, nail varnish remover or similar substances.

Wash heavily soiled items thoroughly by increasing the amount of detergent and selecting a high washing temperature. If in doubt, wash the items several times.

- ▶ Danger of squashing or cutting fingers etc. around the drum door hinges and the fluff filter cover. Use the appropriate handles and release catches only.

## Warning and Safety instructions

---

- ▶ Always make sure that the drum is stationary before reaching in to remove laundry. Do not touch the drum whilst it is still rotating.
- ▶ In many programmes, the heating phase is followed by a cooling down phase to ensure that the items are not too hot to handle when you remove them (this also avoids the danger of the laundry self-igniting). The programme is not finished until the cooling down phase is complete. Ensure that you always wait until the end of the programme before removing the laundry.

### Technical safety

- ▶ This tumble dryer must only be set up and commissioned by a Miele Service technician or authorised Miele Service Dealer.
- ▶ Before installation check the tumble dryer for any obvious damage. A damaged tumble dryer must not be installed and/or used.
- ▶ Do not make any alterations to the tumble dryer, unless authorised to do so by Miele.
- ▶ Do not connect the tumble dryer to the power supply by an extension lead (fire hazard due to overheating).
- ▶ Do not operate the tumble dryer in a room where cleaning machines operate with solvents containing CFCs. During combustion, any vapours that are emitted will break down into hydrochloric acid, leading to consequential damage affecting laundry and the machine. Air exchange must not take place between rooms if machines are set up in separate rooms.
- ▶ Fire hazard due to controllable socket. This tumble dryer must not be connected to a controllable socket (e.g. a timer). There is a risk of the laundry self-igniting if the tumble dryer's cooling phase is interrupted.
- ▶ The electrical safety of this tumble dryer can only be guaranteed when correctly earthed. It is essential that this standard safety requirement is met. If in any doubt, please have the on-site wiring system tested by a qualified electrician. Miele cannot be held liable for the consequences of an inadequate earthing system (e.g. electric shock).
- ▶ The tumble dryer is only electrically disconnected from the power supply, if
  - the plug has been disconnected from the socket.
  - it is switched off at the main switch, or the mains electrical fuse is disconnected (on site).
- ▶ The plug must be easily accessible so that the tumble dryer can be disconnected from the power supply at any time. The operator must be able to check from any access point that the plug is still removed.
- ▶ If the appliance is hard wired, adequate provision must be made on site to switch off all poles to disconnect the tumble dryer from the power supply.
- ▶ If the mains connection cable is faulty it must always be replaced by a Miele authorised technician to protect the user from danger.
- ▶ Tumble dryers with damage to the control panel or wire insulation must not be used until they have been repaired.
- ▶ Unauthorised repairs could result in unforeseen dangers for the user, for which Miele cannot accept liability. Repairs should only be undertaken by a Miele authorised technician, otherwise any subsequent damage will not be covered by the warranty.
- ▶ Faulty components may only be replaced by genuine Miele spare parts. Miele can only guarantee the safety standards of the appliance when Miele replacement parts are used.
- ▶ Only operate the tumble dryer when all removable outer panels are in place so that it is impossible to touch an electrical component or moving part.

## Warning and Safety instructions

---

- ▶ During the drying process, the door glass and the frame around the drum door will get hot. Please be aware that the laundry may also be hot if it is removed from the tumble dryer before the end of the drying programme.
- ▶ To ensure the correct performance of the tumble dryer and to prevent the risk of faults and fire, it is important to carry out maintenance on a regular basis.
- ▶ In the event of a fault and for cleaning and maintenance purposes, the tumble dryer must be disconnected from the power supply. The tumble dryer is only disconnected from the power supply, if:
  - It is switched off at the wall socket or the plug is withdrawn.
  - The mains fuse is disconnected.
  - The mains fuses have been completely removed.
- ▶ The tumble dryer must not be used in non-stationary installation sites (e.g. on a ship).
- ▶ Follow the instructions in “Installation” and “Technical data”.
- ▶ The tumble dryer may only be operated when the ducting has been installed and the room is sufficiently ventilated.
- ▶ The vent ducting must never be installed in any of the following flues or shafts:
  - Chimneys or smokestacks that are in use.
  - Shafts that are used to ventilate installation rooms with fireplaces.
  - Flues that are used by third parties.

Smoke or exhaust gas that is fed back into the flue or shaft may be toxic.

▶ Regularly check all components in the vent ducting (e.g. wall pipe, external grille, bends, elbows, etc.) to make sure air can move through them and to ensure that they are working properly. Clean components when necessary. Fluff deposits in the vent ducting system will prevent the air from being extracted properly and, as a result, will stop the tumble dryer from working properly.

If existing vent ducting is due to be used, it must be checked before being connected to the tumble dryer.

Low pressure must not occur in the vent ducting.

▶ There is a risk of suffocation and poisoning due to exhaust gases being sucked back if gas-powered flow heaters, gas-powered room heaters, coal-burning stoves with a flue connection, etc., are installed in the same room, in the same flat or in neighbouring rooms and the negative pressure is 4 Pa or more.

The following measures for suitable room ventilation (examples) can help to prevent negative pressure in the installation area:

- Install suitably sized vents that cannot be closed in the exterior walls.

Please always seek approval from your building regulations inspector to confirm that the appliance can be operated without risk and that negative pressure of over 4 Pa can be prevented.

▶ If multiple tumble dryers are to be connected to one vent ducting, a non-return flap must be installed directly on the duct for each tumble dryer.

If this requirement is not observed, the tumble dryers may be damaged and their electrical safety could be affected.

▶ Follow the instructions in “Installation of the ducting”.

▶ Do not block the gap between the bottom of the tumble dryer and the floor with plinth facings, deep pile carpet etc.

▶ Ensure that no closeable door, sliding door or an oppositely hinged door is installed that would hinder the drum door being opened in any way.



## Warning and Safety instructions

---

- ▶ This tumble dryer is supplied with a special lamp to cope with particular conditions (e.g. temperature, moisture, chemical resistance, abrasion resistance and vibration). This special lamp must only be used for the purpose for which it is intended. It is not suitable for room lighting. Replacement lamps may only be fitted by a Miele authorised technician or by the Miele Customer Service Department.
- ▶ Installing thermal shut-off equipment on site is recommended.
- ▶ If gas-heated appliances are accessible to anyone, it is also necessary to check whether a gas flow monitor needs to be used.

### Correct use

- ▶ Do not lean on the tumble-dryer door. Otherwise, the tumble dryer may tip over, causing injury to yourself or others.
- ▶ Always close the drum door after each drying cycle. This will prevent:
  - Children climbing into the tumble dryer or hiding things in it.
  - Pets or other small animals climbing into the tumble dryer.
- ▶ Do not use a pressure washer or water jet to clean the tumble dryer.
- ▶ Keep the room where the tumble dryer is located free from dust and fluff. If the air that is taken into the machine contains dirt particles, this can cause blockages. A fault may then occur and there is a risk of fire.
- ▶ Never operate the tumble dryer without the fluff filter or with a damaged fluff filter. This could lead to malfunctions. Fluff can clog the air channels, heating elements and vent ducting, which could result in a fire. In this case, stop the tumble dryer immediately and replace the damaged fluff filter.
- ▶ The fluff filter must be cleaned on a regular basis.
- ▶ To ensure problem-free operation of the tumble dryer:
  - Clean the surface of the fluff filter after each drying cycle.
  - In addition, the fluff filter and the air passages must be cleaned when prompted by the display.
- ▶ To prevent the risk of fire, the following items must not be dried in this tumble dryer:
  - Items which have not been washed.
  - Items which have not been thoroughly cleaned and are still soiled with grease, oil or other deposits (such as kitchen linens or cosmetics cloths with cooking oils, grease, lotions, etc). If items have not been thoroughly cleaned, there is a danger that they might ignite when heated, even after they have been removed from the tumble dryer at the end of the programme.
  - Items (e.g. mops and floor cloths) that have been treated with inflammable cleaning agents or which contain residues of acetone, alcohol, benzene, petrol, kerosene, stain remover, turpentine, wax and wax remover or other chemicals.
  - Items which have been splashed with hair lacquer, hair spray, nail varnish remover or similar substances.

Wash heavily soiled items thoroughly by increasing the amount of detergent and selecting a high washing temperature. If in doubt, wash the items several times.

- ▶ Do not install the tumble dryer in a room where there is a risk of frost. At temperatures around freezing point, the tumble dryer may not be able to operate properly. The permitted room temperature is between 2 °C and 40 °C.
- ▶ Remove all items from the pockets of the laundry to be dried (e.g. lighters, matches, keys).


## Warning and Safety instructions

---

- ▶ In many programmes, the heating phase is followed by a cooling down phase to ensure that the items are not too hot to handle when you remove them (this also avoids the danger of the laundry self-igniting). The programme is not finished until the cooling down phase is complete. Ensure that you always wait until the end of the programme before removing the laundry.
- ▶ Fire hazard due to controllable socket. This tumble dryer must not be connected to a controllable socket (e.g. a timer). There is a risk of the laundry self-igniting if the tumble dryer's cooling phase is interrupted.
- ▶ The programme ends when the cooling phase starts. Many programmes are followed by the cooling phase to ensure that the items of laundry are kept at a temperature that will not cause them damage (for instance to prevent the risk of the laundry self-igniting). Always remove all items of laundry from the tumble dryer immediately after the cooling phase.
- ▶ Fabric conditioner and similar products must be used according to the instructions on the manufacturer's packaging.
- ▶ Benzene, petrol, paraffin, or any easily flammable liquid must not be stored or used near the machine. Danger of explosion.
- ▶ Do not expose the dryer to air which is contaminated with vapour of chlorine, fluorine or other solvents. Danger of fire.
- ▶ For tumble dryers with stainless steel surfaces:  
The stainless steel surfaces must not come into contact with liquid cleaning and disinfecting agents which contain chlorine or sodium hypochlorite. These agents can have a corrosive effect on stainless steel.  
Aggressive vapours containing chlorine can also be corrosive.  
Do not store containers of these agents near the tumble dryer.

### Accessories

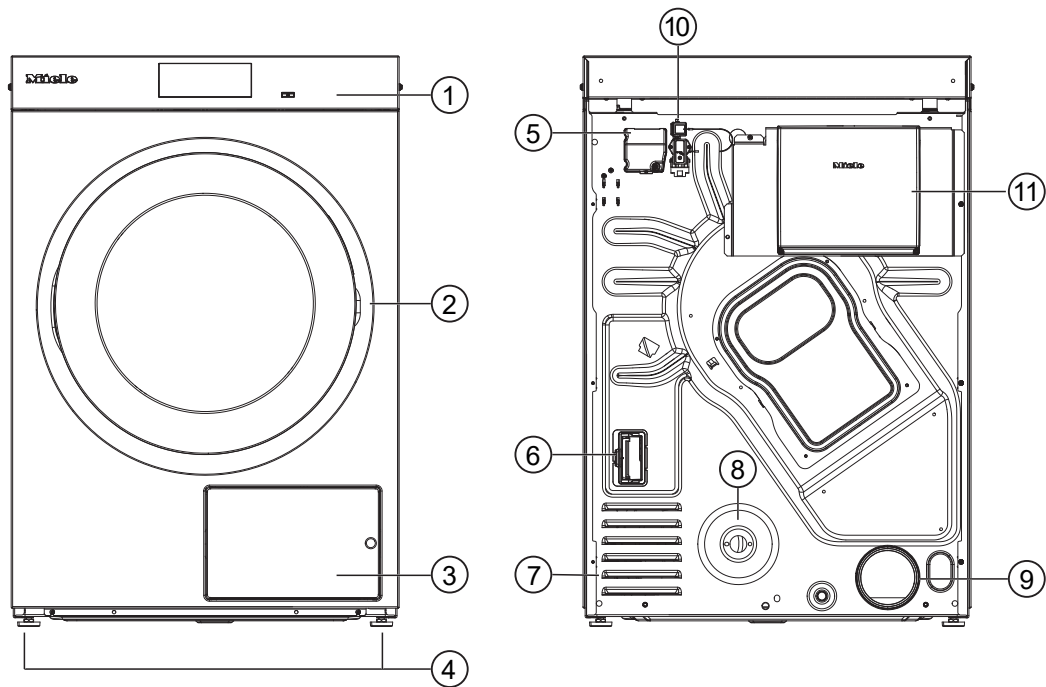
- ▶ Accessory parts may only be fitted when expressly approved by Miele. If other parts are used, warranty, performance and product liability claims will be invalidated.
- ▶ Make sure that you order the correct plinth for this tumble dryer (available from Miele as an optional accessory).

 Miele cannot be held liable for damage caused by non-compliance with these Warning and Safety instructions.

### Decommissioning the tumble dryer

- ▶ Before disposing of a tumble dryer, render the door lock inoperable so that children cannot lock themselves in the machine by mistake and endanger their lives.

### PDR 910 (gas-heated)

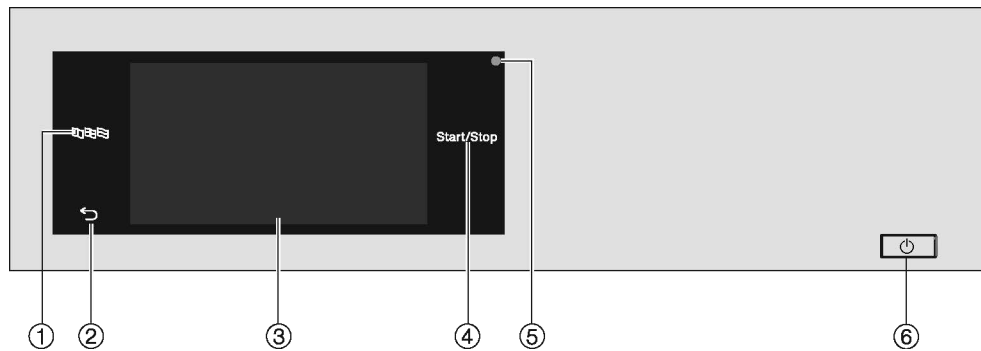


- ① Control panel with touch display
- ② Door
- ③ Fluff filter flap
- ④ 4 height-adjustable screw feet
- ⑤ Electrical connection
- ⑥ Communication module slot
- ⑦ Intake vents for drying air
- ⑧ Gas connection 1/2" acc. to ISO 7-1
- ⑨ Exhaust duct Ø 100 mm
- ⑩ Connection for communication box
- ⑪ Communication box (optional)  
For setting up a connection with external systems

# Operating the tumble dryer

---

## Control panel



①  **Language sensor control**

For selecting the current user language

At the end of the programme, the language is automatically reset to the language set at the supervisor level.

② **Back sensor control** 

Takes you back one level in a menu.

③ **Touch display**

④ **Start/Stop sensor control**

For starting the selected drying programme and cancelling a programme once it has started. The programme selected can be started as soon as the sensor control starts flashing.



⑤ **Optical interface**

Used for data transfer by the Customer Service Department.

⑥  **button**

For switching the tumble dryer on and off. Depending on the programming at supervisor level, the tumble dryer switches off automatically to save energy. It is switched off an adjustable time after the end of the programme/Anti-crease phase, or after being switched on if no further selection is made.


## Sensor controls and touch display with sensor controls

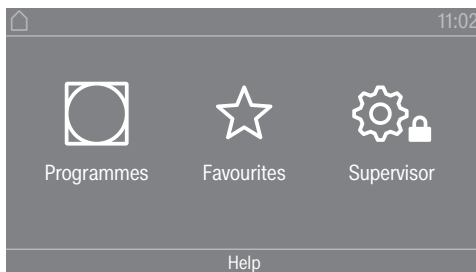
The sensor controls , , and *Start/Stop* and the sensor controls in the display respond to finger tip contact. Every touch of a sensor control is confirmed with an audible keypad tone. You can adjust the volume of the keypad tone or switch it off (see “Supervisor level”).

The control field with sensor controls and the touch display can be scratched by pointed or sharp objects, e.g. pens.  
Only touch the control field with your fingers.

## Main menu

After switching on the tumble dryer, the main menu will appear in the display. You can access all the important submenus from the main menu.

Touch the sensor control  at any time to return to the main menu. Values set previously are not saved.



Main menu

### “ Programmes” menu

In this menu, you can select the drying programmes.

### “ Favourites” menu

In this menu, you can select 1 favourite programme from a total of 12 favourite programmes. The drying programmes can be set up and saved by the supervisor in the Favourites menu (see “Favourite programmes” under “Supervisor level”).

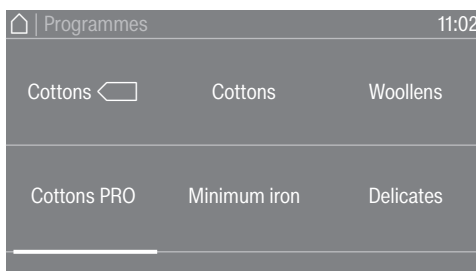
### “ Supervisor” menu

You can alter the tumble dryer’s electronic module to suit changing requirements in the supervisor level (see “Supervisor level”).

## Operating examples

### Selection lists

Scrolling through the “ Programmes” menu (single selection)



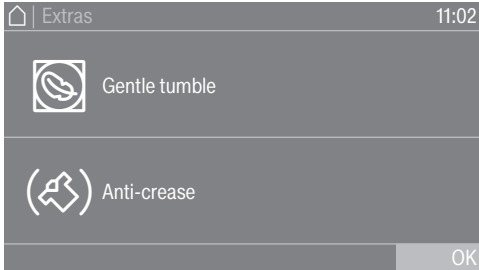
- To scroll through the menu, place your finger on the touch display and move it left or right.

# Operating the tumble dryer

The orange scroll bar in the bottom display area shows that there are further options to choose from.

- To select the required drying programme, touch the programme name with your finger. The display will now change to the standard menu for that programme.

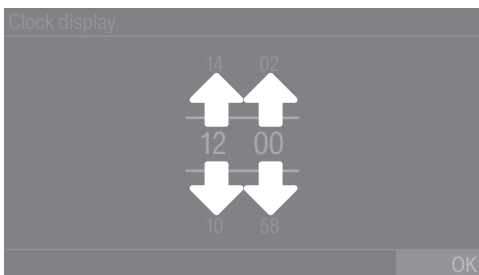
“Extras” menu (multiple selection)



To select one or more *Extras*, touch the required *Extras* with your finger. Currently selected *Extras* are marked orange. To deselect an *Extra* simply touch the *Extra* again.

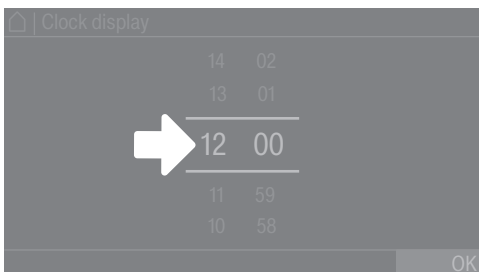
## Setting numerical values

You can set numerical values in some menus. You can set the numerical values by swiping your finger up and down on the display.

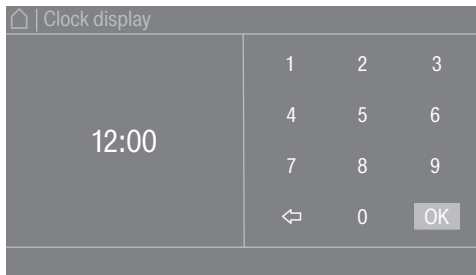


- Place your finger on the number that you want to change.
- To set the required number, swipe your finger up or down on the display.
- Confirm the set numerical value by touching the OK sensor control.

**Tip:** For some settings, depending on the value range and increments, the value can also be set using a numerical keypad. Briefly touching the numbers will bring up the numerical keypad. Once a valid number has been entered, the OK sensor control will be highlighted green.



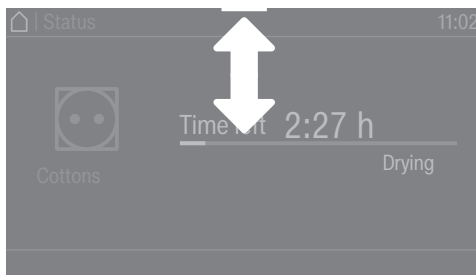
- Briefly touch a number between the two lines with your finger. The numeric block will appear.



- To enter the numerical value, touch the numbers on the right-hand side and then confirm with OK.

### Pull-down menu

The pull-down menu can be used to display information (e.g. about a drying programme).



If an orange bar appears at the top of the screen in the middle of the display, you can open the pull-down menu. Touch the bar and drag it down with your finger on the display.

To close the pull-down menu again, touch the orange bar and drag it up with your finger on the display.

### Exiting the menu

- Touch the ↶ sensor control to return to the previous screen.

Entries made before this which have not been confirmed with OK will not be saved.

## Operating the tumble dryer

---

### Help display

With some menus, Help appears along the bottom line of the display.

- If you need more information about the current menu, touch the Help sensor control. The additional information is shown in the display.
- Touch the ↩ sensor control to return to the previous screen.



**1. Notes on correct laundry care**

**Washing before drying**

Heavily soiled laundry must be washed particularly thoroughly. Use sufficient detergent and select a high wash temperature. If in doubt, wash the items several times.

The tumble dryer must not be used for drying items of laundry which have been cleaned using industrial chemicals.

New and coloured items must be washed thoroughly and separately. Do not dry new and coloured items with light coloured garments. There is the risk of colours running and discolouring other garments or even plastic components in the tumble dryer. Dark coloured fluff can also settle on light coloured garments and vice versa.

**Removing foreign objects**

Before drying, ensure that there are no foreign objects in the laundry.

 Damage due to foreign objects which were not removed from the laundry.

Foreign objects in the laundry can melt, burn or explode.

Ensure that any foreign objects (e.g. detergent dispensing aids, lighters, etc.) have been removed from the laundry.








Check seams and stitching to ensure that the items of laundry are intact. This way you will avoid the danger of fillings coming out and causing a fire. Sew in or remove underwiring from bras.

 Risk of fire due to incorrect use and operation.

The laundry can burn and destroy the tumble dryer and the surroundings.

See the section on “Warnings and safety notes” for further information.

**Care symbols**

Drying	
	Normal/higher temperature
	Low temperature*
* Select Low temperature.	
	Do not tumble dry
Ironing	
	Very hot
	Hot
	Warm
	Do not iron

## Loading laundry into the tumble dryer

### 2. Loading the tumble dryer

Textiles may be damaged.  
Before loading, read chapter “1. Notes on correct laundry care” first.

- Open the door.
- Load laundry into the tumble dryer.

Risk of damage with laundry getting trapped.  
Laundry can be damaged by getting trapped when closing the door.  
When closing the door, make sure that laundry does not get trapped in the door opening.

Do not overload the drum. Overloading can cause unnecessary wear and tear to the laundry and cause a disappointing drying result. It can also cause more creasing.

## Closing the door

⚠ Damage caused by laundry getting trapped.  
Laundry can be damaged by getting trapped when closing the door.  
When closing the door, make sure that laundry does not get trapped in the door opening.

- Shut the door gently.

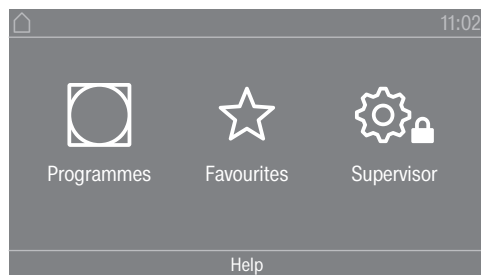
## Switching on the tumble dryer


### 3. Selecting a programme

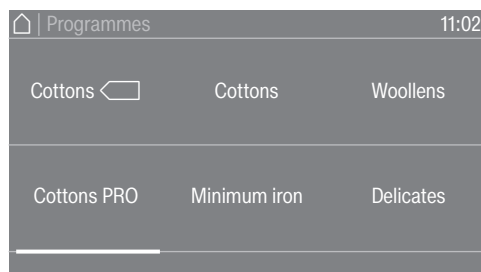
- Press the  button.

The welcome screen will light up.

There are different ways to select a drying programme in the main menu.



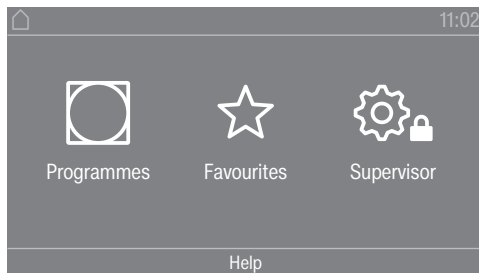
- Touch the  Programmes sensor control.



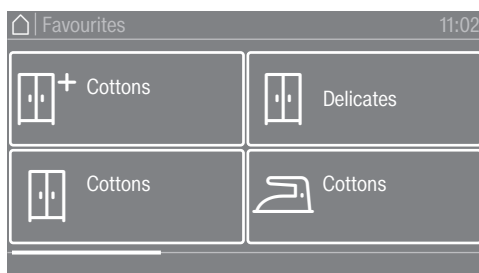
- With your finger, swipe to the left until you reach the required programme.
- Touch the sensor control for that programme.

The display will change to the standard menu for that drying programme.

Alternatively, you can select a programme from the Favourites list. The preset programmes under ☆ Favourites cannot be changed via the Supervisor level.



- Touch the ☆ Favourites sensor control.



- With your finger, swipe to the left until you reach the required programme.
- Touch the required programme.

The display will change to the standard menu for that drying programme.

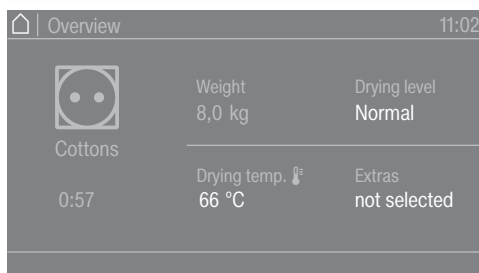
## 4. Selecting programme settings

### Select the drying level

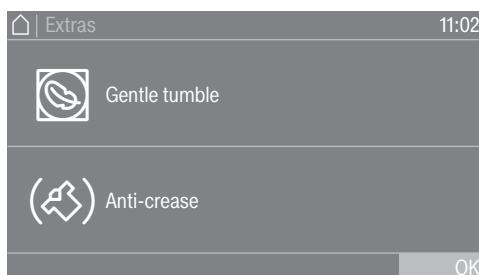
With many programmes, you can change the preset drying level. Depending on the programme, you can select different drying levels.

### Selecting extra options

The drying programmes can be augmented with various Extras. Some Extras can only be selected for certain drying programmes.



- Touch the Extras sensor control.



- Touch the sensor control for the extra you want.

## Drying

---

- Only press OK when the extra appears on the display.

The relevant symbol for the required extra (☉ or ☼) lights up.

☉ Low temperature

Delicate fabrics (with the ☉ symbol on the care label, e.g. acrylic garments) are dried at a lower temperature. The programme duration is also longer.

☼ Gentle tumble

Sensitive items are dried with fewer drum rotations and a lower drying temperature.

☼ Anti-crease

At the end of the programme, the drum will continue to rotate in a certain rhythm, depending on the selected programme. This helps to prevent creasing at the end of the programme.

The Anti-crease function is switched off as the factory default setting. The Anti-crease function can be switched on in the supervisor level with a variable duration of up to 12 hours. You can find this setting in the supervisor level under the Process technology/Anti-crease menu.

## 5. Starting a programme

### Payment device (optional)

If your machine is connected to a payment device, the amount of payment required will appear in the display.

Money may be lost if the drum door is opened or the programme is cancelled.

Depending on the settings, money may be lost in the payment device if the drum door is opened or the programme is cancelled.

Do not open the door once the programme has started.

Do not cancel a drying programme while it is running.

### Starting the programme

The programme can be started as soon as the *Start/Stop* sensor control is flashing on and off.

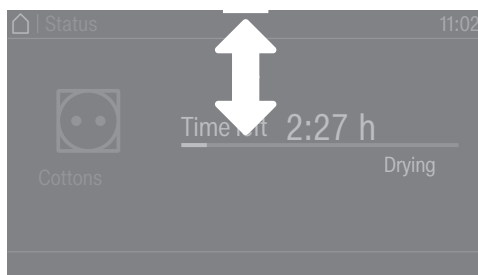
- Touch the *Start/Stop* sensor control.

If a delay start period has been selected, this will appear in the display.

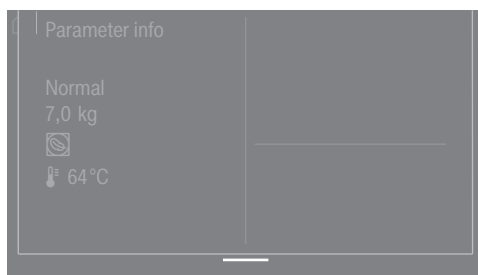
The drying programme will start either straight away or once the delay start period has elapsed. The programme time left is shown in the display.

### Calling up current programme parameters

During the programme running time, you can use the pull-down menu to view the parameters of the current drying programme (e.g. drying level, load size, selected extras, drying temperature).



- To call up the pull-down menu, swipe your finger from top to bottom during the programme running time.



The pull-down menu displays the parameters of the drying programme.

- To close the pull-down menu again, swipe your finger from bottom to top or press the ↶ sensor control.

### Programme running time/Time left estimation

The programme running time depends on the quantity of laundry, the type of fabric and the residual moisture in the laundry. The displayed programme running time for drying level programmes can therefore vary or “jump”. The tumble dryer’s electronic module adapts during the ongoing drying programme. The displayed programme running time becomes more and more accurate.

# Drying

When using the programmes for the first time, the displayed time sometimes deviates significantly from the real time left. The difference between the estimated and achieved time becomes smaller if the corresponding programme is run more often. If different load sizes are dried in one programme, the time left display can only show an approximate time.

## End of the programme

**End of programme** The laundry will be cooled down after the end of the programme. The message *Finish/Cool down* will appear on the display during the cooling phase. The laundry can now be removed.

If necessary, the control can be programmed so that a message indicating the end of the programme is only displayed once the cooling phase has ended (Supervisor level/Process technology/Cooling phase status).

After the cooling phase and the drying programme are completed, the message *Finish* is displayed.

The tumble dryer will switch off automatically after the set time after the end of the programme.

If the Anti-crease (🌀)\* extra has been selected, the drum continues to rotate in intervals after the end of the programme. This reduces creasing if the laundry cannot be removed straight away.

\* The Anti-crease function is switched off as the factory default setting and can be activated in the supervisor level.

## Removing the laundry

- Open the door.
- Remove everything from the drum.

Items left in the tumble dryer could be damaged by overdrying when the tumble dryer is used the next time.  
Always remove all items from the drum.

- Switch the tumble dryer off by pressing the ⏻ button.

## Care notes

This tumble dryer requires regular maintenance, particularly if it is used on a continuous basis. Please see “Cleaning and care” for details.

## Timer

### Prerequisite for setting the timer

The Delay start must be activated in the Supervisor level in the Controls / Display menu so that the Timer can be selected. Before the programme starts, the Timer can be used to select a programme start time or programme end time.

### Setting the timer

- Touch the Timer sensor control.
- Select the Finish at, Start in or Start at option.
- Set the hours and the minutes and confirm your entry with the OK sensor control.

# Problem solving guide

## Fault diagnosis

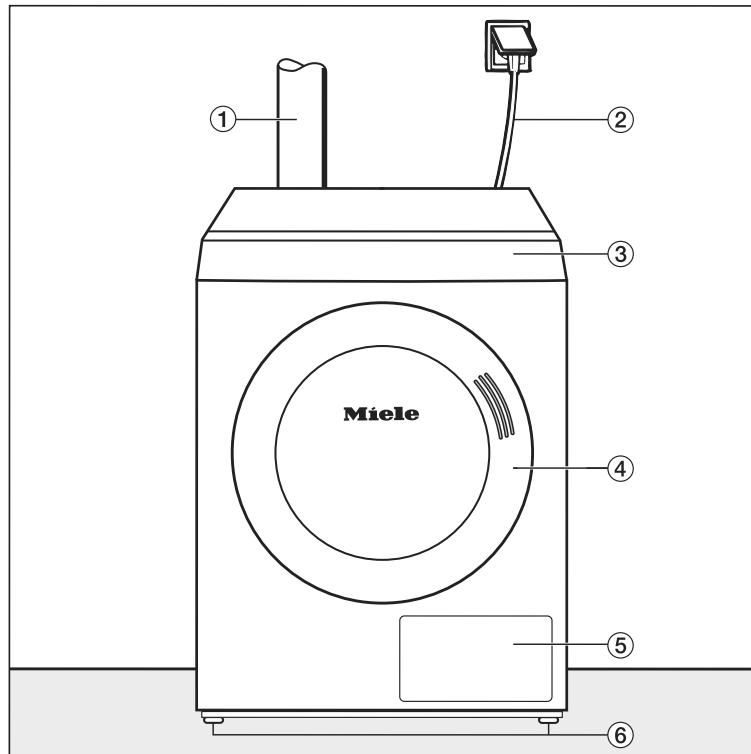
Message	Cause and remedy
<b>The display remains dark.</b>	There is no power to the tumble dryer. <ul style="list-style-type: none"> <li>■ Check the mains plug, main switch and fuses (on site).</li> </ul>
Problem	Cause and remedy
<b>Condensate is escaping from an unexpected location.</b>	The drain is dirty. <ul style="list-style-type: none"> <li>■ Inspect the drain and remove any soiling if necessary. The drain can be accessed via the rear service panel in the floor area.</li> </ul>
<b>The efficiency of the tumble dryer decreases.</b>	The fluff filter in the tumble dryer is dirty. <ul style="list-style-type: none"> <li>■ Check the fluff filter in the tumble dryer for contamination and clean it if necessary.</li> </ul>
	Insufficient ventilation <ul style="list-style-type: none"> <li>■ Make sure that the air intake vent and the tumble dryer ducting are not covered or blocked by objects.</li> </ul>
	Room temperature too high (>45 °C) <ul style="list-style-type: none"> <li>■ Ensure adequate ventilation of the installation site.</li> <li>■ If necessary, connect the tumble dryer to external fresh air and exhaust air ducting.</li> </ul>
<b>Feather-filled pillows smell after drying.</b>	Feathers tend to develop a build-up of their own smell or smells from other sources when they are heated. <ul style="list-style-type: none"> <li>■ Smells can be reduced through natural ventilation after drying.</li> </ul>
<b>Items made of synthetic fibres are charged with static electricity after drying.</b>	Synthetic fibres tend to attract static charge. <ul style="list-style-type: none"> <li>■ Static charge can be reduced by adding a fabric softener to the final rinse in the washing programme.</li> </ul>
<b>There is a build-up of fluff.</b>	Fluff is principally the result of friction when garments are being worn and to some extent when they are being washed. Machine drying hardly causes any fluff to form and has no appreciable effect on the lifetime of the fabric. Fluff is collected by the fluff filters and fine filter and can be easily removed <ul style="list-style-type: none"> <li>■ (see “Cleaning and care”).</li> </ul>
<b>The drying process goes on too long or even switches off.</b>	In some circumstances, you may be asked to clean the air channels/air guide. <ul style="list-style-type: none"> <li>■ Please check all the possible causes described below.</li> </ul>
	The fluff filter is clogged with fluff. <ul style="list-style-type: none"> <li>■ Remove the fluff.</li> </ul>
	The air guide area is clogged with hair and fluff, for example. <ul style="list-style-type: none"> <li>■ Clean the air guide area.</li> <li>■ You can remove the cover in the loading area to clean the air guide area underneath.</li> </ul>
	The vent ducting or its openings are clogged with hair and fluff, for example.



Problem	Cause and remedy
	<ul style="list-style-type: none"> <li>■ Check and clean all components in the vent ducting (e.g. wall pipe, external grille, bends, elbows, etc.).</li> </ul>
	<p>The flow of air is insufficient (e.g. because it is installed in a small room).</p> <ul style="list-style-type: none"> <li>■ When drying, open a door or window to ensure sufficient ventilation.</li> </ul>
	<p>The laundry has not been spun sufficiently.</p> <ul style="list-style-type: none"> <li>■ Make sure that your laundry is thoroughly spun at the appropriate spin speed in the washing machine.</li> </ul>
	<p>The tumble dryer has been overloaded.</p> <ul style="list-style-type: none"> <li>■ Do not exceed the maximum load size for the drying programme selected.</li> </ul>
	<p>Metallic components, e.g. zips, have prevented the tumble dryer from registering the correct laundry moisture level.</p> <ul style="list-style-type: none"> <li>■ Open any zips next time.</li> <li>■ If the problem occurs again, dry garments with long zips using the hot air drying programme.</li> </ul>
<b>Condensation is forming in the drum.</b>	<p>The tumble dryer is installed on a shared exhaust air duct.</p> <ul style="list-style-type: none"> <li>■ The tumble dryer must always be installed with a non-return flap when using a combined line.</li> <li>■ Check the non-return flap for possible defects on a regular basis and replace the flap if necessary.</li> </ul>

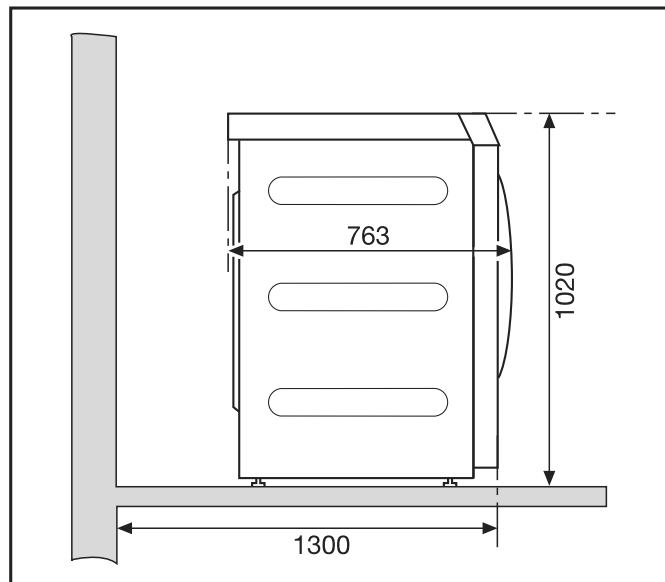
## Installation locations

### Front view

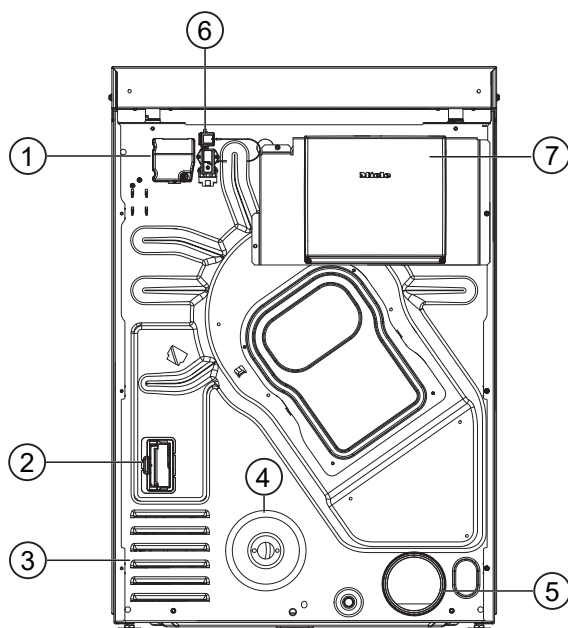


- |                                    |                                     |
|------------------------------------|-------------------------------------|
| ① Vent ducting                     | ④ Door                              |
| ② Electrical connection cable      | ⑤ Fluff filter flap                 |
| ③ Control panel with touch display | ⑥ Four height-adjustable screw feet |

### Side view

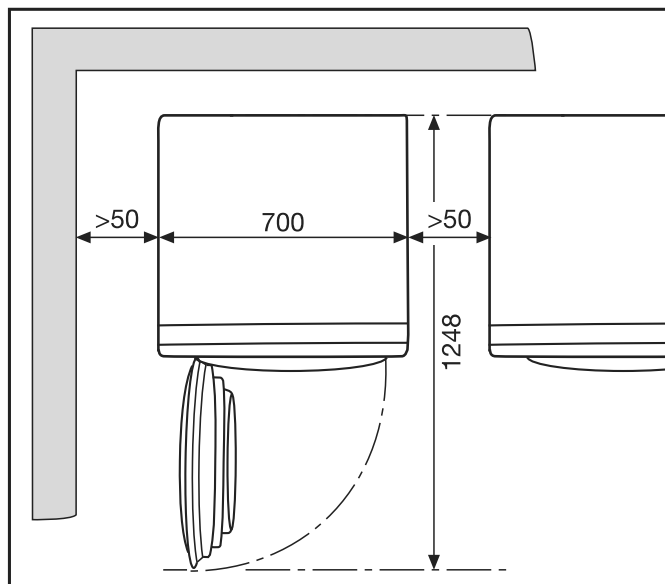


## Rear view



- ① Electrical connection
- ② Communication module slot
- ③ Intake vents for drying air
- ④ Gas connection 1/2" acc. to ISO 7-1
- ⑤ Exhaust duct Ø 100 mm
- ⑥ Connection for communication box
- ⑦ Communication box (optional)  
For setting up a connection with external systems

## View from above



## Installation on a plinth

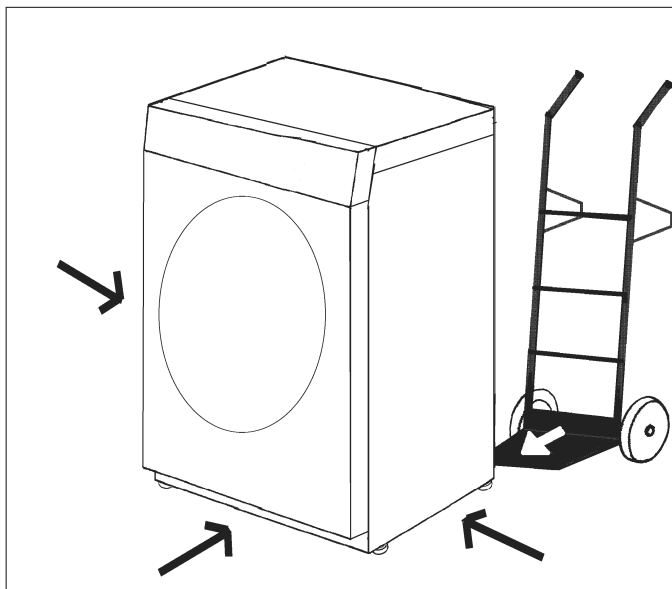
Various Miele plinths are available as optional accessories.

## Installation

⚠ Risk of injury and damage due to missing tumble dryer fastenings.  
When installing on a plinth, an unsecured tumble dryer can slip and fall off the plinth.  
If the tumble dryer is installed on a plinth, it must be secured.  
The plinth must be secured to the floor.

### Installation

#### Transporting the tumble dryer



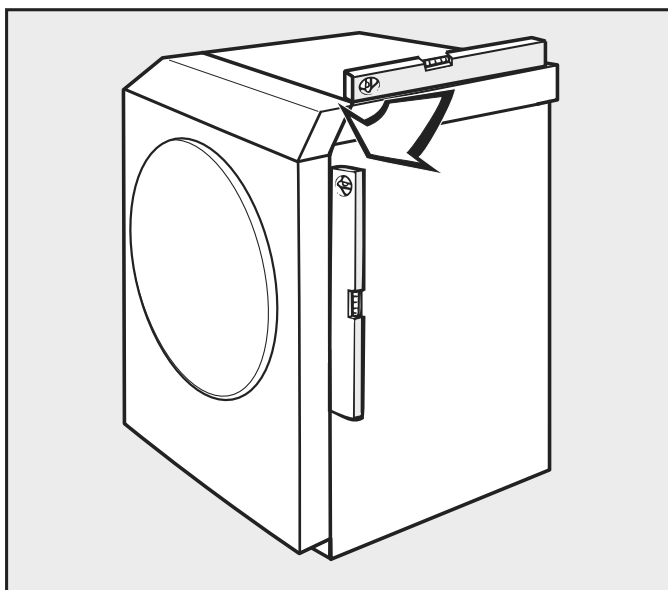
Transport the tumble dryer to its installation site using a suitable transport base (e.g. sack truck).

⚠ Risk of injury caused by the tumble dryer tipping over.  
When transporting the tumble dryer, there is the risk of the tumble dryer tipping over.  
Ensure that the tumble dryer is stable during transportation.

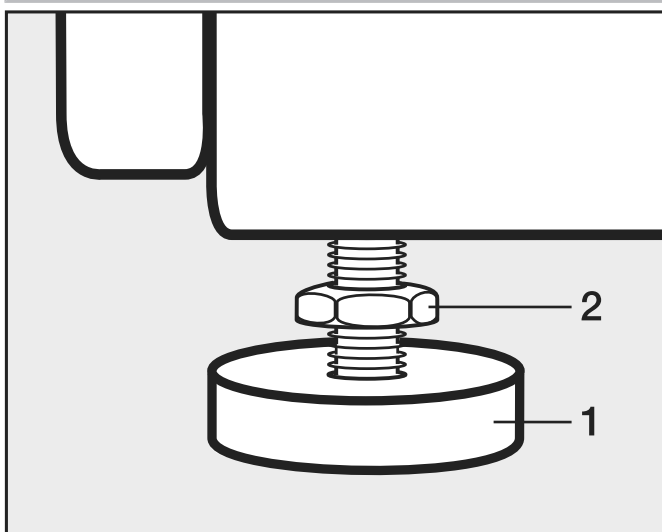
## Levelling



Ensure that no closeable door, sliding door or oppositely hinged door is installed that could hinder opening of the tumble dryer door in any way.



The tumble dryer must stand perfectly level on all four feet to ensure safe and proper operation.

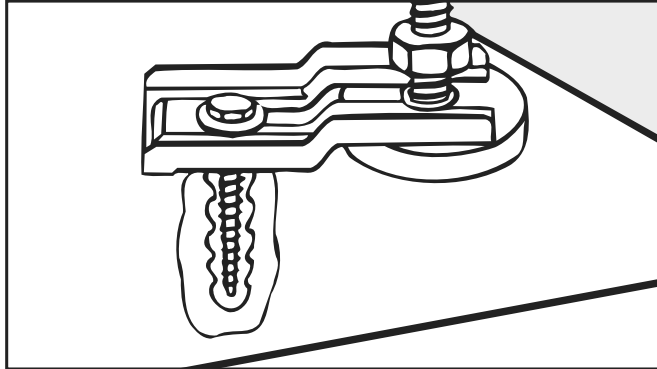


- Undo the screws (2).
- The screw feet (1) can be adjusted to compensate for any unevenness in the floor.
- Tighten the screws (2) against the housing.

## Installation

### Securing the tumble dryer against slipping

⚠ Danger of gas leakage from gas-heated tumble dryers due to lack of floor fastening.  
Accidental displacement of a gas-heated tumble dryer can damage the gas line and cause gas to leak.  
After installation, always secure gas-heated tumble dryers to the floor using suitable fastening material.



The screw feet of the tumble dryer must be secured with tensioning strips (accessories).

### Electrical connection

The tumble dryer has a mains cable without a plug.

⚠ The data plate indicates the nominal power consumption and the appropriate fuse rating. Compare the specifications on the data plate with those of the electricity supply and make sure that they match.

The appliance may only be connected to an electrical system designed in accordance with VDE 0100 and that conforms to the national and local codes and regulations.

This connection process must be performed by a qualified electrician.

**Tip:** We recommend connecting the tumble dryer to the power supply via a plug and socket so that it is easier to conduct electrical safety checks (e.g. during maintenance or repair work).

It is advisable to connect the product via a suitably rated plug and socket in accordance with IEC-60309, otherwise for a hardwired connection an all pole means of isolation must be installed at the site.

If the appliance is hard-wired, a dual circuit breaker must be provided on site. When switched off there must be an all-pole contact gap of at least 3 mm in the isolator switch (e.g. circuit breakers, fuses and relays according to IEC/EN 60947).

When connecting to the mains electricity supply, phase L of the tumble dryer must be connected to phase L of the mains. The neutral conductor N of the tumble dryer must be connected to the neutral conductor N of the mains.

If the connections are mixed up, the flame detection function will not work. When heating, the tumble dryer issues fault message *F98*.

The plug connector or isolator switch should be easily accessible at all times.

⚠ If the tumble dryer is disconnected from the electricity supply, the isolator must be lockable or the point of disconnection must be monitored at all times.

New connections, modifications to the system or servicing of the earthing conductor, (including determining the correct fuse rating), must only be carried out by a qualified electrician.

If more than one voltage is specified on the data plate, the tumble dryer can be converted for connection to the relevant input voltage. This conversion must be performed by the Miele Customer Service Department or by an authorised dealer. During the conversion, the wiring instructions given on the wiring diagram must be followed.

► If it is necessary to install a residual current device (RCD) in accordance with local regulations, a residual current device type B (sensitive to universal current) must be used.

## Supply air and exhaust air management

### Ventilation

The air required for drying is taken from the room where the tumble dryer is installed.

Ensure sufficient room ventilation, e.g. by means of ventilation openings that cannot be closed in the exterior wall.

- It must not be possible to seal off ventilation openings.
- The room ventilation is only working properly if no low pressure occurs. Avoid low pressure, e.g. by means of ventilation openings in the exterior wall. This will ensure that:
  - The exhaust air is fully discharged from this tumble dryer.
  - The gas demonstrates the required combustibility.
- For each tumble dryer, there must be a minimum cross section of  $237 \text{ cm}^2$  per ventilation opening.

The tumble dryer draws in air at the back. Therefore, there must be a sufficiently large gap between the back of the machine and the wall.

This would otherwise hinder a sufficient flow of air as well as the operational performance of the tumble dryer.

Observe the necessary spacing between the machine and the wall. Do not reduce the gap between the bottom of the tumble dryer and the floor (e.g. plinth facings, deep pile carpet).

This tumble dryer is classified as a type B22 gas fuel-burning installation without flow safeguarding equipment, and with a fan behind the heater.

# Installation

## Design of the exhaust air management system

The mixtures of exhaust gas and air that are emitted by gas-heated tumble dryers must be discharged into the atmosphere individually via the roof.

In the case of combined lines, each gas-heated dryer must have a non-return flap.

Exceptions regarding the design of the exhaust air management system must be designed in accordance with the applicable local building regulations. Seek approval from the relevant building inspector.

- The connections between exhaust air ducts and the exhaust gas system must be kept as short as possible.
- When connecting the vent ducting to the exhaust duct on a machine, particular care must be taken to make sure the connection is secure and air-tight.
- Only use heat-resistant materials with a temperature resistance of at least 80 °C.
- Condensation will form in the exhaust air management system. A condensate drain must therefore be placed at the lowest point in the system.

## Calculating the total ducting length

The friction of the vent ducting with its bends and various components provides resistance to the flow of air. This friction resistance is expressed as a relative pipe length. The **relative pipe length** indicates how much greater the resistance of a bend is, for example, when compared to 1 metre of a straight plastic waste water pipe (table I).

Adding together the relative pipe lengths for all of the components gives the **total ducting length**. The total ducting length expresses the resistance of the entire exhaust air system.

As a larger **duct diameter** has a lower flow resistance, a longer duct requires a greater duct diameter (table II).

## Procedure

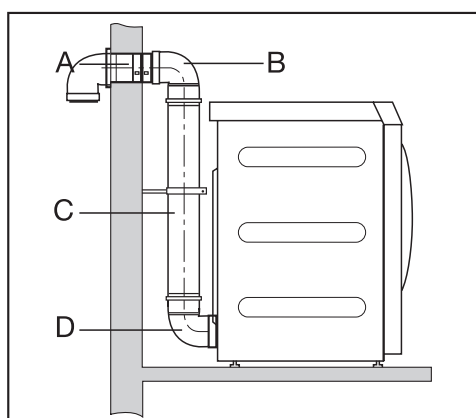
1. Measure the length needed for the straight sections of ducting. Multiply this value by the corresponding relative pipe length from **table I**.
2. Calculate the number of bends and components needed. Use **Table I** to help you add together their relative pipe lengths.
3. Add together all of the relative pipe lengths calculated above in order to calculate the total ducting length.
4. Refer to **Table II** for the pipe diameter needed for the total ducting length.



Table I	
Components	Relative pipe length
<b>Exhaust air hose (flexible aluminium)* / pipe (temperature resistance min. 80 °C)</b>	
– 1 m laid straight or 1 m straight pipe	1.0 m
– 45° bend (radius of bend = 0.25 m)	0.6 m
– 90° bend (radius of bend = 0.25 m)	0.8 m
<b>Non-return flap*</b>	14.3 m
* optional accessories	

Table II	
Maximum permissible total ducting length	Required diameter
20 m	100 mm
40 m	125 mm
80 m	150 mm

Sample calculation



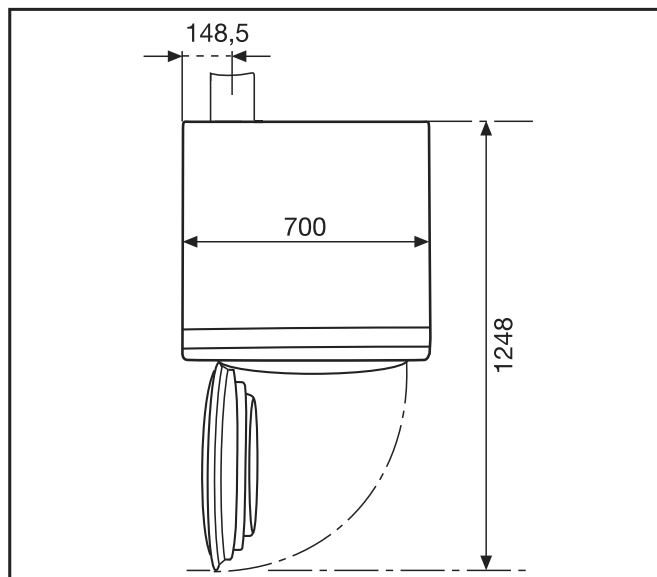
<b>A</b>	<b>1 bend, 90°</b> = 1 x 0.8 m relative pipe length	= 0.8 m
<b>B/D</b>	<b>2 bends, 90°</b> = 2 x 0.8 m relative pipe length	= 1.6 m
<b>C</b>	<b>0.5 m pipe</b> = 0.5 x 1 m relative pipe length	= 0.5 m
Total ducting length		= 2.9 m

**Result:** the total ducting length is less than 20 m (as per Table II). A pipe diameter of 100 mm will therefore suffice.

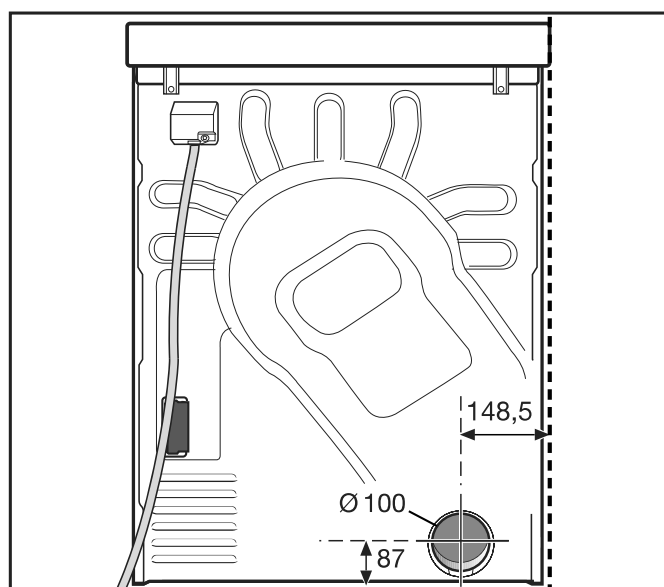
**Exhaust duct dimensions**

**View from above**

# Installation



Rear view

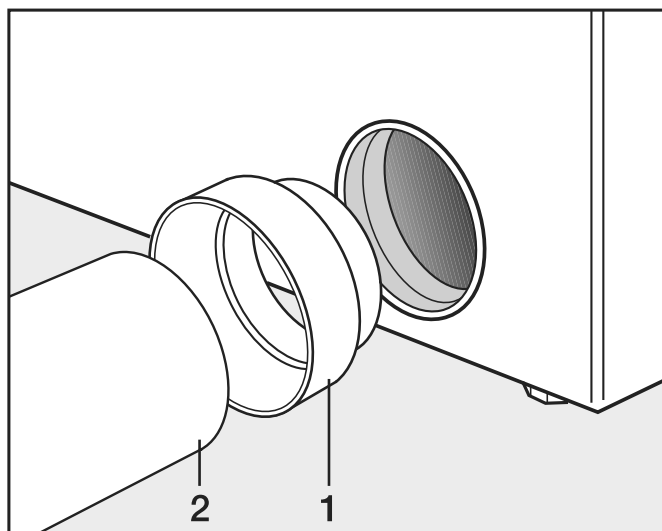


## Exhaust air management with plug-in pipes

You will need

- the connector (supplied).
- pipes and connecting pieces from a suitable retailer.

Only use heat-resistant materials with a temperature resistance of at least 80 °C.



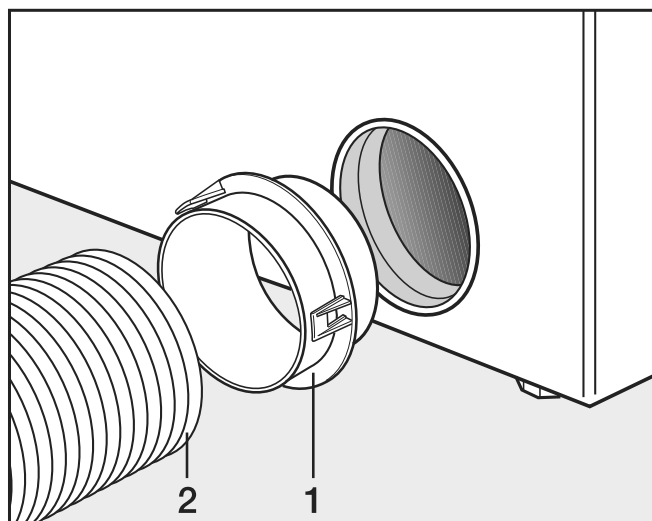
- Install the connector (1) and the pipe (2).

⚠ Wrap heat-resistant metallic tape around plug connections.

## Exhaust air management with flexible aluminium hose

You will need

- the adapter (supplied).
- Flexible aluminium exhaust air hose (optional accessory).



- Install the adapter (1) and the flexible aluminium exhaust air hose (2).

⚠ Wrap heat-resistant metallic tape around plug connections.

## Shared exhaust air ducts

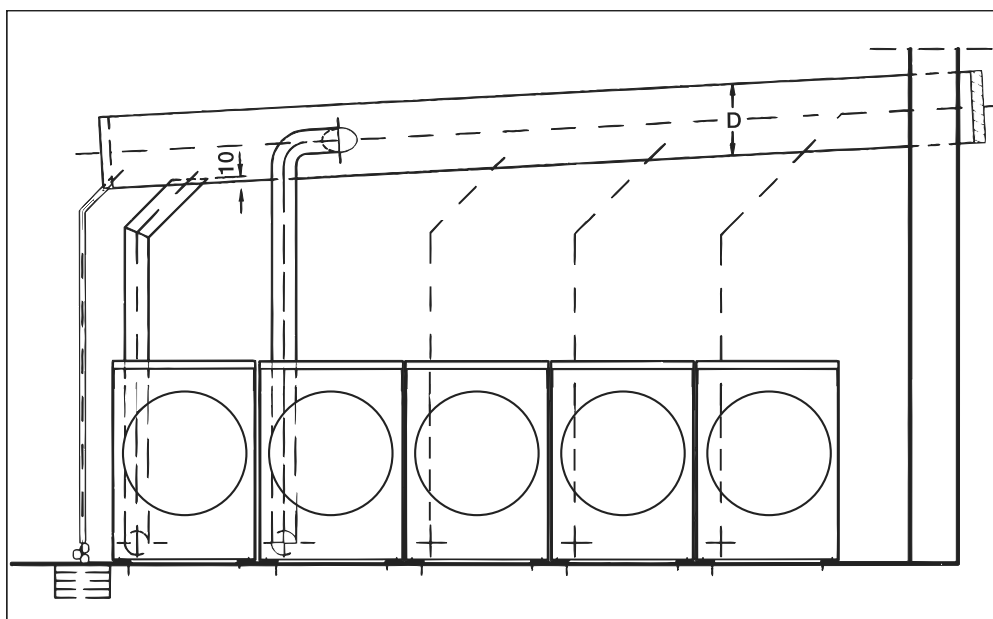
A shared exhaust air duct is only permitted in exceptional cases. The shared exhaust air duct must be approved by the relevant building inspector.

⚠ A non-return flap must be installed for each tumble dryer. Otherwise, the tumble dryers may be damaged by a backflow of condensation and their electrical safety could be affected.

# Installation

If 3–5 tumble dryers are installed on one shared exhaust air duct, the pipe diameter **D** must be increased.

Number of tumble dryers	Factor for increasing the pipe diameters from Table II
3	1.25
4–5	1.5




## Gas

### Connection and conversion instructions

Shut-off equipment and connection hose for the gas connection must be fitted by the customer on site.  
A suitable connection hose can be purchased from Miele as an optional accessory.

### Initial connection

The initial connection must be carried out by a licensed specialist company according to specific national regulations.


 The configuration ex works must allow the tumble dryer to be operated with the relevant gas family, gas group and connection pressure.

This tumble dryer is configured ex works for operation with **natural gas E (H), G 20**.


The data plate provides information about the gas inlet pressure and the corresponding jet pressure. Compare the specifications on the data plate with those of the gas network operator.

The required gas valve settings are described in the accompanying setting and conversion instructions.


### Converting to another gas type

 Danger if conversion work is not performed correctly.  
Conversion work must be performed by authorised specialists only.

If the dryer is to be converted to a gas type other than the one specified on the data plate, refer to the accompanying setting and conversion instructions.

 Risk of explosion if gas-heated tumble dryers have leaks.  
Once the work has been completed, there is a risk that the gas-heated tumble dryer may have a leak and gas may escape.  
After completing any commissioning, maintenance, conversion or repair work, check the tumble dryer for leaks. Particular attention must be paid to the measurement connections on the gas valve. Checks must be performed when the burner is both switched on and switched off.

### Order of steps for commissioning or conversion work

 Check that the points listed in “Supply air and exhaust air management” have been taken into consideration.

The steps below should be followed in the given order when commissioning or converting the machine.

1. Ask the gas supply company what the gas family, gas group and connection pressure are. Compare this information with the values specified on the machine (see data plate).
2. Check and correct the factory-set jet pressure based on the tables “Settings with natural gas” and “Settings with liquid gas”.

# Installation

3. If the gas family, gas group or connection pressure is different, it must be converted as instructed in the connection and conversion instructions (“Setting and conversion instructions for gas”). You must then change the data plate.

Follow the accompanying setting and conversion instructions when changing the gas family. If there is no setting and conversion kit available, you can request one from the Miele Customer Service Department. Please quote the following:

- the model
- the number of the tumble dryer
- the gas family
- the gas group
- the gas connection pressure
- the country where the machine has been installed

Set the jet pressure at the machine’s gas regulating valve (see “Settings with natural gas/liquid gas” section and the accompanying setting and conversion instructions).

4. Switch on all gas consumers that are present, including the installed tumble dryer.
5. Measure the connection pressure. **The connection pressure must correspond to the data plate information and the accompanying setting and conversion instructions.**

## Tables

Required flow rate

	Rated heat load Hi	Flow rate
<b>Natural gas E</b>	8 kW	0.847 m <sup>3</sup> /h
<b>Natural gas LL</b>	8 kW	0.985 m <sup>3</sup> /h
<b>Liquid gas</b>	7.5 kW	0.571 kg/h

Consumption cal-  
orific values

The rated load is based on the following calorific values (gas reference values: temperature 15 °C; absolute pressure: 1013 mbar):

<b>Natural gas E (G 20)</b>	34.02 MJ/m <sup>3</sup> (Hi)
<b>Natural gas LL (G 25)</b>	29.25 MJ/m <sup>3</sup> (Hi)
<b>Liquid gas (G 31)</b>	46.3 MJ/kg (Hi) Density ratio: 1.55 Air density: 1.2 kg/m <sup>3</sup>

## Gas connection pressures

With natural gas, if the connection pressure is less than 17 mbar (due to pressure loss in the supply network, for example), the gas supply company must be informed.

Country	Gas category	Connection pressure for natural gas (mbar)			Connection pressure for liquid gas (mbar)		
		n <sub>p</sub>	min <sub>p</sub>	max <sub>p</sub>	n <sub>p</sub>	min <sub>p</sub>	max <sub>p</sub>
AT	II <sub>2</sub> H3B/P	20	17	25	50	42,5	57,5
BE	I <sub>2</sub> E(R)	20	17	25 (Es)	-	-	-
		25	20	30 (Ei)	-	-	-
BG	II <sub>2</sub> H3B/P	20	17	25	29	25	35
CH	II <sub>2</sub> H3B/P	20	17	25	50	42,5	57,5
CY	II <sub>2</sub> H3B/P	20	17	25	29	25	35
CZ	II <sub>2</sub> H3B/P	20	17	25	29	25	35
DE	II <sub>2</sub> ELL3B/P	20	18	25	50	42,5	57,5
DK	II <sub>2</sub> H3B/P	20	17	25	29	25	35
EE	II <sub>2</sub> H3B/P	20	17	25	29	25	35
ES	II <sub>2</sub> H3P	20	17	25	37	25	45
FI	II <sub>2</sub> H3B/P	20	17	25	29	25	35
FR	II <sub>2</sub> H3P	20	17	25	37	25	45
GB	II <sub>2</sub> H3P	20	17	25	37	25	45
GR	II <sub>2</sub> H3B/P	20	17	25	29	25	35
HR	II <sub>2</sub> H3B/P	20	17	25	29	25	35
HU	II <sub>2</sub> H3B/P	25	18	33	50	42,5	57,5
IE	II <sub>2</sub> H3P	20	17	25	37	25	45
IS	II <sub>2</sub> H3P	20	17	25	30	25	35
IT	II <sub>2</sub> H3B/P	20	17	25	30	25	35
LT	II <sub>2</sub> H3B/P	20	17	25	29	25	35
LU	II <sub>2</sub> E3B/P	20	17	25	29	25	35
LV	II <sub>2</sub> H3B/P	20	17	25	29	25	35
MT	I <sub>3</sub> B/P	-	-	-	29	25	35

# Installation


Country	Gas category	Connection pressure for natural gas (mbar)			Connection pressure for liquid gas (mbar)		
		n <sub>p</sub>	min <sub>p</sub>	max <sub>p</sub>	n <sub>p</sub>	min <sub>p</sub>	max <sub>p</sub>
NL	H <sub>2</sub> EK3B/P	20 (E)	17 (E)	25 (E)	29	25	35
		25 (K)	20 (K)	30 (K)			
	H <sub>2</sub> L3B/P	25	20	30	29	25	35
NO	H <sub>2</sub> H3B/P	20	17	25	29	25	35
PL	H <sub>2</sub> E3P	20	17	25	37	25	45
PT	H <sub>2</sub> H3P	20	17	25	37	25	45
RO	H <sub>2</sub> H3B/P	20	17	25	29	25	35
SE	H <sub>2</sub> H3B/P	20	17	25	29	25	35
SI	H <sub>2</sub> H3B/P	20	17	25	29	25	35
SK	H <sub>2</sub> H3B/P	20	17	25	29	25	35
TR	H <sub>2</sub> H3B/P	20	17	25	29	25	35

## Gas settings

Model	Heater rating	Nozzle diameter	Nozzle pressure in mbar				
			2E/2H (AT, BE, BG, CH, CY, CZ, DE, DK, EE, ES, FI, FR, GB, GR, HR, HU, IE, IT, IS, LT, LU, LV, NL, NO, PL, PT, RO, SE, SI, SK, TR)	2LL/2L (DE, NL)	2K* (NL)	3B/P (AT, BG, CH, CY, CZ, DE, DK, EE, ES, FI, GR, HR, HU, LT, LU, LV, MT, NL, NO, RO, SE, SI, SK, TR)	3P (FR, GB, IE, IS, IT, PL, PT)
Natural gas PDR 910	6.6/8.0 kW	2.6 mm	4.9/8.3	7.1/12.0	7.1/12.0	-	-
Liquid gas PDR 910	6.0/7.5 kW	1.8 mm	-	-	-	6.0/9.0	8.0/12.0

\* Netherlands only



 Risk of electric shock and injury due to using the tumble dryer without the complete casing.  
If the casing is dismantled, it is possible to come into contact with live or rotating machine parts.  
Once the tumble dryer has been installed, replace all the casing parts that were removed.

# Connectivity

---

## Pairing instructions

Follow the steps below to connect the tumble dryer to your network.

### Opening the supervisor level

- Select the Supervisor menu option in the appliance display.
- Select the Access via code menu option.
- Enter the 3-digit supervisor code.

### Establishing the network connection via WPS

- Select the Supervisor level menu option from the External applications menu.
- Then select the COM module selection menu option.
- If you are using an external communication module, select the External mod. Professional menu option.  
Otherwise, select the Internal mod. Domestic menu option.
- Select WiFi.
- Select Set up.
- Select the connection method Via WPS.
- Now press the WPS button on your router and confirm with OK in the appliance display. A timer starts. The network connection via WPS is being established. The appliance is now successfully connected.
- Touch OK to confirm.

### Establishing the network connection via soft AP

- Select the External applications menu option from the Supervisor level menu.
- Then select the COM module selection menu option.
- If you are using an external communication module, select the External mod. Professional menu option.  
Otherwise, select the Internal mod. Domestic menu option.
- Select WiFi.
- Select Set up.
- Select the connection method Via Soft AP.
- Confirm pressing OK and follow the instructions in the external application.

### Establishing the network connection using a LAN cable

- Select the External applications menu option from the Supervisor level menu.
- Then select the COM module selection menu option.
- If you are using an external communication module, select the External mod. Professional menu option.  
Otherwise, select the Internal mod. Domestic menu option.
- Connect the appliance to your router/switch using the network cable. The router/switch must be connected to the Internet.

The appliance is now successfully connected.

## Technical data

### System requirements for WiFi

- WiFi 802.11b/g/n
- 2.4 GHz band
- WPA/WPA2 encryption
- DHCP activated
- Multicast DNS / Bonjour / IGMP snooping activated
- Ports 443, 80, 53 and 5353 open
- IP DNS server = IP standard gateway/router
- Mesh/repeater use: same SSID and password as standard gateway/router
- SSID must be permanently visible



### System requirements for LAN

- DHCP activated
- Multicast DNS / Bonjour / IGMP snooping activated
- Ports 443, 80, 53 and 5353 open
- IP DNS server = IP standard gateway/router


### WiFi signal strength – Guide values

The WiFi signal strength is only a rough guide. These details do not provide absolute certainty.

The WiFi signal strength can be read via the MDU or directly on the appliance.

WiFi signal strength		Meaning
MDU	 *	
76–100 %	3/3**	Generally, reliable operation possible
51–75 %	2/3	
26–50 %	1/3	Generally, operation possible
1–25 %	0/3	Generally, reliable operation not possible
0 %		Operation not possible

\* Displayed on the appliance

\*\* Number of bars  3/3–0/3

The signal strength can be adversely affected by many factors:

- People in the room
- Open or closed doors
- Moved objects
- Varying radio signal sources or interference
- Other appliances with Bluetooth or WiFi wireless technology

## Technical data

Height	1020 mm
Width	700 mm
Depth	763 mm
Depth with door open	1248 mm
Weight	75 kg
Drum volume	180 l
Maximum load size	10 kg (weight of dry laundry)
Length of supply lead	1600 mm
Supply voltage	See data plate
Rated load	See data plate
Fuse rating	See data plate
Lamp wattage	See data plate
Test certifications awarded	See data plate
Max. floor load in operation	883 N
Product safety standard	EN 10472, EN 60335
Emission sound pressure level in accordance with EN ISO 11204/11203	< 70 dB re 20 µPa
Frequency range	2.4000–2.4835 GHz
Maximum transmission power	< 100 mW

## UK declaration of conformity

UKCA mark (UK only)


The Supply of Machinery (Safety) Regulations 2008

Miele hereby declares that this washing machine complies with UK Radio Equipment Regulations 2017, as amended.

The complete text of the UK declaration of conformity is available from one of the following internet addresses:

- Products, Downloads from [www.miele.co.uk](http://www.miele.co.uk)
- For service, information, operating instructions etc: go to [www.miele.co.uk](http://www.miele.co.uk) and enter the name of the product or the serial number

This **Statement of Compliance** confirms this Miele product fully complies with the **Product Security and Telecommunications Infrastructure (Security Requirements for Relevant Connectable Products) Regulations 2023**.

- 1) Professional Appliance – *Tumble Dryer, commercial PT011, PT012, PT016, PT018*
- 2) Manufactured by: Miele & Cie KG, *PT013, PT014, PT015, PT017*  
Carl Miele Street 29, 33332 Gutersloh Germany  
Imported by and contact point: Miele Company Ltd, Fairacres, Marcham Road, Abingdon, Oxon, OX14 ITW Great Britain
- 3) The defined support period at the time of first supply is 10 years
- 4) To report vulnerabilities and cybersecurity issues please contact: [psirt@miele.com](mailto:psirt@miele.com)
- 5) Signature   
Name: **Paul Wright**  
Company Position: **Head of Technical Management**  
Date of signature: **19th March 2024**  
Place of signature: **Abingdon, Oxfordshire**



## United Kingdom

Miele Co. Ltd., Fairacres, Marcham Road  
Abingdon, Oxon, OX14 1TW  
Professional Sales, Tel: 0845 365 6608  
E-mail: professional@miele.co.uk  
Internet: www.miele.co.uk/professional

## Australia

Miele Australia Pty. Ltd.  
ACN 005 635 398, ABN 96 005 635 398  
Level 4, 141 Camberwell Road, Hawthorn East, VIC 3123  
Tel: 1300 731 411  
Internet: www.miele.com.au/professional  
E-mail: professional.sales@miele.com.au

## China Mainland

Miele Electrical Appliances Co. Ltd.  
No. 82, Shimenyi Road, JingAn District,  
Shanghai, China, P.R.C, Post Code: 200040  
Phone: +86 21 6157 3500, Fax: +86 21 6157 3511  
E-mail: info@miele.cn, Internet: www.miele.cn

## Hong Kong, China

Miele (Hong Kong) Ltd.  
41/F - 4101, Manhattan Place  
23 Wang Tai Road, Kowloon Bay, Hong Kong  
Tel: (852) 2610 1025, Fax: (852) 3579 1404  
Email: customerservices@miele.com.hk  
Website: www.miele.hk

## India

Miele India Pvt. Ltd.  
1st Floor, Copia Corporate Suites,  
Commercial Plot 9, Mathura Road, Jasola,  
New Delhi - 110025  
E-mail: customercare@miele.in, Website: www.miele.in

## Ireland

Miele Ireland Ltd.  
2024 Bianconi Ave., Citywest Business Campus,  
Dublin 24  
Tel: (01) 461 07 10, Fax: (01) 461 07 97  
E-Mail: info@miele.ie, Internet: www.miele.ie

## Malaysia

Miele Sdn Bhd  
Suite 12-2, Level 12  
Menara Sapura Kencana Petroleum  
Solaris Dutamas No. 1, Jalan Dutamas 1  
50480 Kuala Lumpur, Malaysia  
Phone: +603-6209-0288  
Fax: +603-6205-3768

## New Zealand

Miele New Zealand Limited  
IRD 98 463 631  
8 College Hill  
Freemans Bay, Auckland 1011, NZ  
Tel: 0800 464 353  
Internet: www.miele.com.au/professional  
E-mail: professional.sales@miele.com.au

## Singapore

Miele Pte. Ltd.  
29 Media Circle, #11-04 ALICE@Mediapolis  
Singapore 138565  
Tel: +65 6735 1191, Fax: +65 6735 1161  
E-Mail: info@miele.com.sg  
Internet: www.miele.sg

## South Africa

Miele (Pty) Ltd  
63 Peter Place, Bryanston 2194  
P.O. Box 69434, Bryanston 2021  
Tel: (011) 875 9000, Fax: (011) 875 9035  
E-mail: info@miele.co.za  
Internet: www.miele.co.za

## United Arab Emirates

Miele Appliances Ltd.  
Showroom 1, Eiffel 1 Building  
Sheikh Zayed Road, Umm Al Sheif  
P.O. Box 114782 - Dubai  
Tel. +971 4 3044 999, Fax. +971 4 3418 852  
800-MIELE (64353)  
E-Mail: info@miele.ae  
Website: www.miele.ae



Manufacturer: Miele & Cie. KG, Carl-Miele-Straße 29, 33332 Gütersloh, Germany