

---

427001362

EN Drying cabinet

Installation

---

Dear NIMO customer,

Congratulations on your excellent product selection and welcome to the NIMO family, a global family with roots in Sweden.

We at NIMO thank you for your trust and wish you a lot of fun with your new drying cabinet.

A good drying cabinet should be well designed, dry the laundry well, have little impact on the environment, be user-friendly, save time and energy, be durable and reliable. NIMO offers you all these functions.

When you buy a NIMO product, you can be sure that the inside is just as good as the exterior and that the ethics and morals that go into making that product are just as high as the quality and function you get. This is Swedish quality.

Please read the instructions for the use and care of the product before using the product for the first time. This will help you get the best possible results out of your product and all its features.

If you have any questions, do not hesitate to call us or contact us through our website.

Best wishes from Sweden and the NIMO team.

**Manufacturer:** NIMO-VERKEN AB  
Box 288  
542 23 Mariestad  
Sweden  
info@nimoverken.com  
www.nimoverken.com



We reserve the right to make changes without prior notice.

Dokumentnummer: 427001362 / 02

# Content

---

1	Safety .....	4
1.1	Symbols .....	5
2	Specifications .....	6
3	Installation .....	7
3.1	Unpack .....	7
3.2	Mechanical installation .....	8
4	Evacuation system .....	10
4.1	Fresh air .....	10
4.2	Exhaust air adjustment .....	11
5	Electrical connection .....	13
6	Language settings .....	14
7	Audit .....	15
8	Information about scrapping .....	16
8.1	Disposal of the disused device .....	16
8.2	Handling the packaging .....	16
8.3	Handling of packaging GERMANY .....	18

Keep this guide so that you always have it at hand for future use

## 1 Safety

---

**These notes on safe operation have been compiled, to operate incorrectly and unnecessary accident risks and should be avoided before installation and commissioning of the drying cabinet read become.**

**DO NOT MODIFY THIS PRODUCT.**

The drying cabinet must be installed and be kept indoors.

**CAUTION** This device is only for drying with water washed textiles. Remove all items out of the pockets, such as lighters and matches, before drying.

Maintenance may only be carried out by the manufacturer. The customer service is carried out by the manufacturer or similarly qualified persons.

Only approved spare parts may be used. Make sure the power is turned off is before you service or replace parts.

### **Applies to installation in the EU**

This drying cabinet can be used by children over 8 years of age and persons (including children) with different disabilities or insufficient experience, provided that it is supervised or instructions for safe usage is received and understood.

Children are not allowed to play with the device.




---

## Applies to installation in countries outside the EU

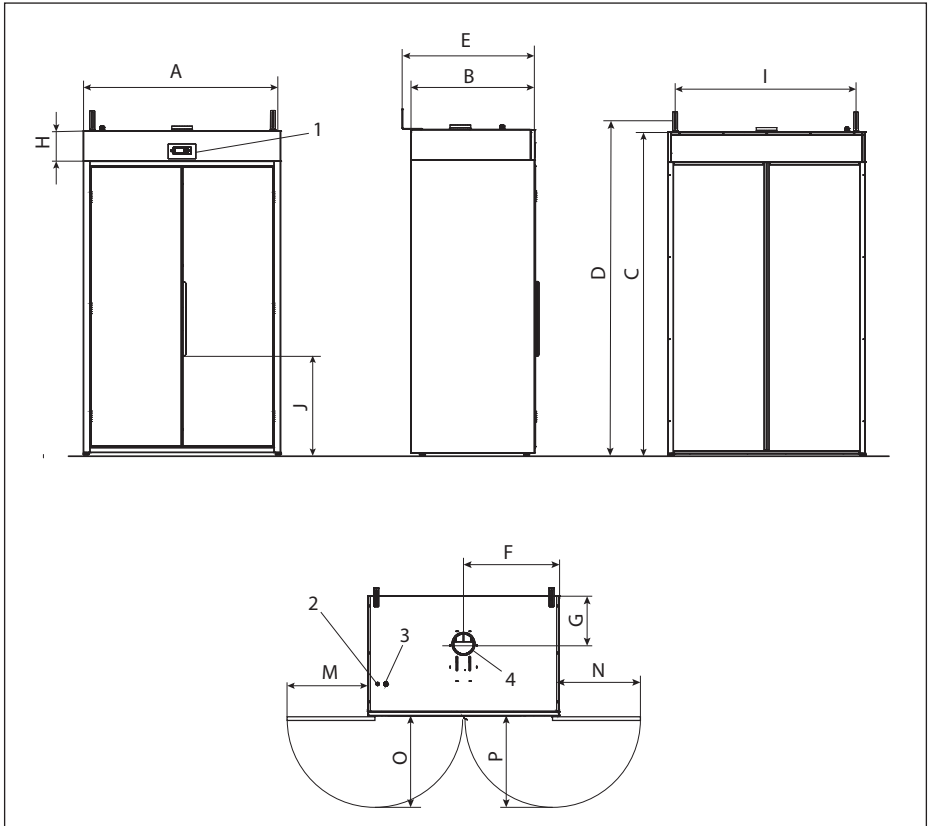
The device is not intended for use by persons (including children) with various disabilities or insufficient experience and knowledge.

They may only use the device under supervision or if they have received instructions on the use of the device from a person responsible for their safety. Children must be supervised to ensure they are not playing with the device.

### 1.1 Symbols

	Caution
	Read the instructions before using the machine
	Be careful as the drying cabinet is top-heavy and can easily tip over.

## 2 Specifications



1	Control panel
2	Electrical connection for external fans
3	Electrical connection to the power grid
4	Exhaust air connection $\varnothing 125$ mm. Permanently connected to separate duct or general ventilation.

	A	B	C	D	E	F	G	H	I	J	M	N	O	P
mm	1200	750	1970	2035	820	600	300	185	1100	600	535	510	580	535

Exhaust air connection  $\varnothing 125$  mm, maximum permissible pressure drop 70 Pa, which corresponds to a straight pipe with a length of approx. 23 m.  $\varnothing 160$  mm corresponds to a straight length of approx. 70 m.

Net weight: 134 kg.

### 3 Installation

Position the drying cabinet where you want it to be placed.

The carrying straps around the adjustable feeder can be used to lift the drying cabinet.

Adjust the drying cabinet by the adjustable feet. Make sure that the top edges of the doors are in line.



Be careful as the drying cabinet is top-heavy and can easily tip over. Do not move the cabinet alone, this must be done by two people.

#### 3.1 Unwrap

Remove all packaging material; Do not use sharp tools that could damage the product.

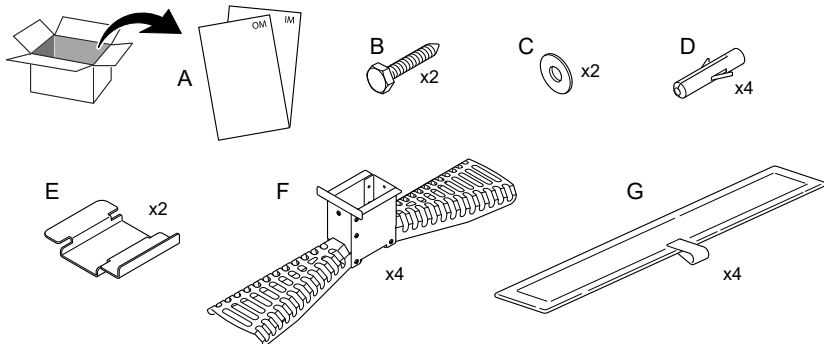
Check if the product has been damaged during transport. Any transport damage must be reported to the dealer within 7 days.

After unpacking, check that the product is intact. Damage, defects and missing parts must be reported to the dealer immediately.

#### A full delivery must include:

- Cabinet with mounted top.
- Kit
- Directions for use
- Installation

#### Kit



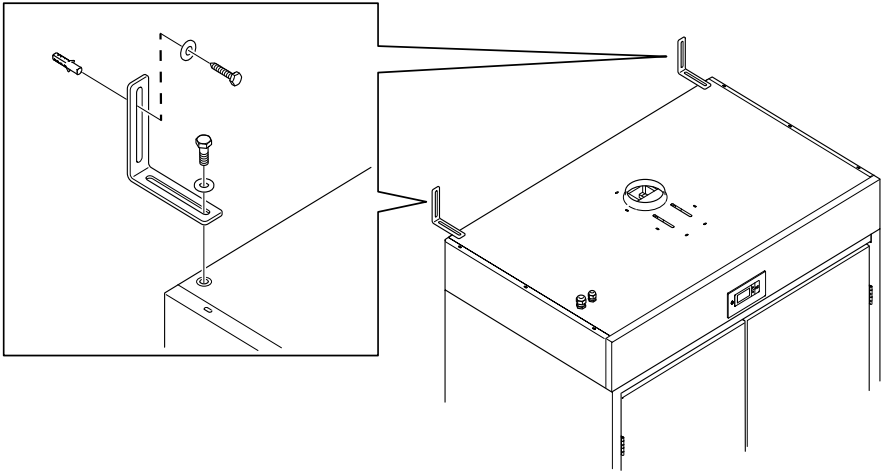
A	Instructions for use/installation instructions	E	Cover plate made of stainless steel
B	Screw T6S 8x75	F	Stainless steel hanger
C	Washer 8.4x17x1.6	G	Lint filter
D	Nylon plug Ø10		

## 3.2 Mechanical installation



The drying cabinet must be fixed in the wall so that it cannot tip over.

The wall brackets are attached to the top of the drying cabinet on delivery. Remove the wall brackets, rotate them and mount them as shown. (Screws and plastic plugs are included.)





### 3.3 Tight spaces

To facilitate transport, slings are hooked around the adjusting feet.

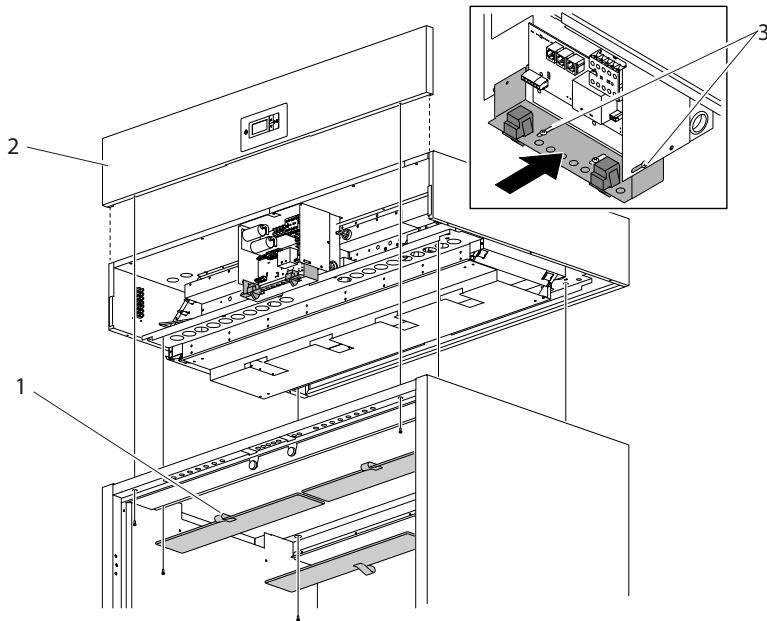
The upper part of the drying cabinet has a weight of 49 kg and can be removed to reduce the height and weight for transport in the tightest of spaces. The height of the cabinet base is then 1785 mm.

To get the drying cabinet off the pallet. Lift one side of the drying cabinet on the slings and slide the drying cabinet on the opposite side of the pallet. If the drying cabinet touches the floor, lift the drying cabinet slightly higher so that the pallet can be removed.

#### Loosen **the top section.**

The upper part is screwed to the lower part with four screws.

- Open the doors, lift out the hangers and remove the four filters (1).
- Loosen the two screws (Torx T20) under the front panel (2). Square holes in the frame.
- Slide the front panel upwards until it detaches from the guide flanges.
- Carefully detach the modular cable attached to the board and lift off the front panel.
- Carefully detach the modular cable attached to the board and lift off the front panel.



- Loosen the four mounting screws that hold the entire top in place. The screws are recessed in two mounting rails, two on the back of the cabinet and two in the doors. See marker in figure.
- Gently lift the upper part downwards.

## 4 Evacuation system

---

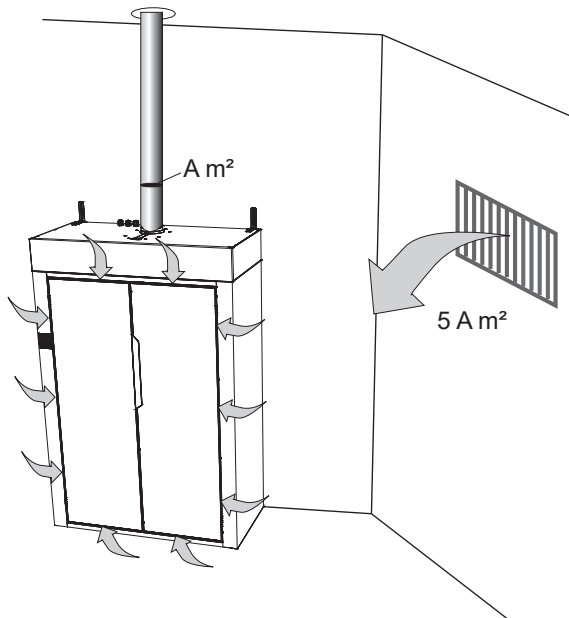
### 4.1 Fresh air

The drying cabinet must be connected directly to the ventilation duct (not via intermediate pipes or hoses).

The drying cabinet has an exhaust air volume flow of up to 250 cubic meters per hour. This air is first taken from the room where the drying cabinet is located.

Care must be taken to ensure that fresh air from the outside can enter the room at the same flow velocity as the air that is discharged from the room.

The area of the air intake must be five times larger than the area of the exhaust air pipe. The resistance in the grille/flap must not exceed 10 Pa (0.1 mbar).



The cabinet works in the drying room with negative pressure.

The air is sucked in by two fans through an air intake in the upper part of the cabinet and through the door gap of the cabinet.

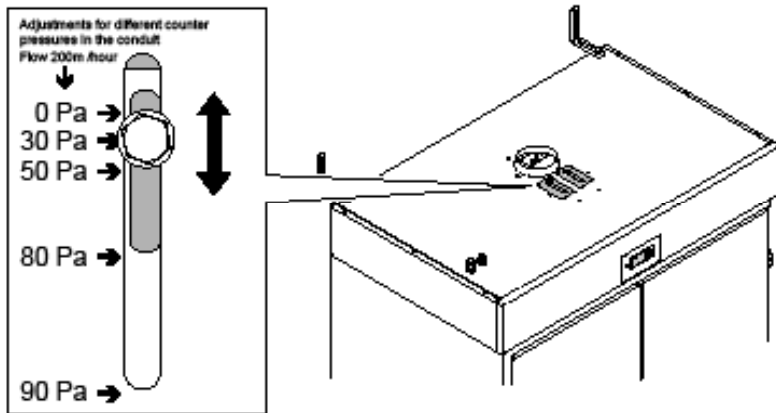
---

## 4.2 Adjustment of the exhaust air

The drying cabinet works most effectively when the airflow is optimal, about 200 m<sup>3</sup>/h.

On the top of the drying cabinet there is a flap that can be set to a value that corresponds to the pressure drop in the duct. The maximum permissible pressure drop is 70 Pa. If the pressure drop is greater, a third-party fan must be installed. The drying cabinet has an electrical connection for a third-party fan.

A straight smooth ventilation duct at 23m, connected to the cabinet, results in a pressure drop of 70Pa.



### Measure the airflow in the duct

The airflow in the duct can be measured with an airflow meter.

The measuring point should be placed as close as possible to the top of the cabinet in the evacuation channel.

### Reduce runoff

If the duct is dimensioned in such a way that the evacuated air volume exceeds 200 m<sup>3</sup>/h, the evacuation can be limited by the outlet flap mounted on top of the cabinet.

### Calculation of the pressure drop

To estimate the pressure drop without a measuring instrument, the following table can be used.

The following procedural rules are recommended:

- Identify the components of the ventilation duct in the airflow direction.
- Read the partial pressure drop for each component in the table.
- Calculate the total pressure drop by adding each partial pressure drop.

- 
- Adjust the outlet flap at the top of the cabinet to the calculated pressure drop.

The table shows common components in a ventilation system.

The information in the table is to be understood as a guideline.

For more information, please contact the manufacturer of the current system.

NOTE: The values apply to an airflow of 200m<sup>3</sup>/h.

Components	Diameter/mm	Pa/m
Round channel	125	3
Elbow 90°	125	6,4
Elbow 45°	125	3

**Example:**

A 10 m long 125 mm channel with 3 90° arcs gives an approximate pressure drop of  $(10 \times 3) + (3 \times 6.4) = 49,2$  Pa.

Set the outlet flap at the top of the cabinet to 50 Pa.

**Increase drain**

If the maximum pressure drop is exceeded, a support fan (external duct fan) may be required.

The drying result is negatively affected if the flow becomes too low.

## 5 Electrical connection

The drying cabinet is connected to 400V 3N AC 50Hz via an all-pole switch.

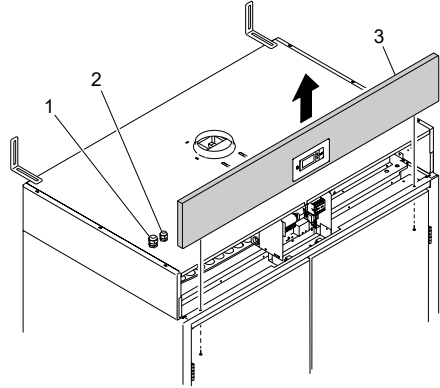
Total power 6.2 kW.

Fuse 10A sluggish, 13A automatic fuse.

Check that the connecting current matches the information on the type plate and that the power cord is properly grounded in accordance with the applicable standard. We recommend equipping the power cord with a residual current circuit breaker (RCD).

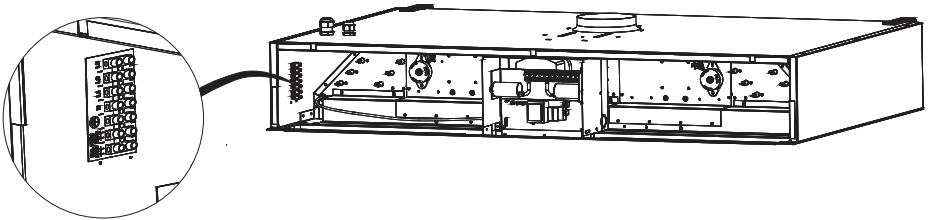
The manufacturer disclaims any liability if the electrical connection has not been designed as described in this instruction manual.

The electrical connection of the device must be carried out in accordance with the applicable electrical safety regulations.



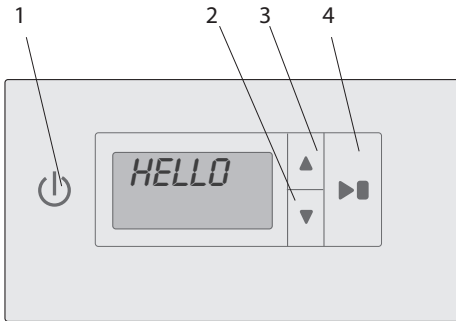
1	Connection for external fans
2	Connection to the power grid
3	Bezel

- Loosen the two screws (Torx T20) under the front panel (3). Square holes in the frame.
- Slide the front panel upwards until it detaches from the guide flanges.
- Carefully loosen the modular contact attached to the board.
- Lift off the front panel.
- Connect the power cord to the terminal block.



## 6 Language setting

- Make sure that the main **ON/OFF** switch on the drying cabinet is turned off. The display is unlit.
- Hold down the **UP ARROW** and **DOWN ARROW BUTTONS** and press the **ON/OFF** switch to the 'ON' position. The display lights up and on the top row shows 'P105' flashing, which is the parameter for language setting. If a different value is shown, use the **UP ARROW** or **DOWN ARROW** buttons to step through to the correct parameter.
- Press **START/STOP** to confirm.  
The row for current language now flashes. The languages have a numerical symbol as shown in the list below.
- Step through to the desired language with the **UP ARROW** or **DOWN ARROW** buttons.
- To save the set value, press **START/STOP**.
- To return to operating mode, press **DOWN ARROW**.



1	ON / OFF
2	DOWN ARROW
3	UP ARROW
4	START / STOP

Language symbol	Display language
0	English
1	Swedish
2	Norwegian
3	Danish
4	Finnish
5	Italian
6	French
7	German
8	Spanish
9	Portuguese
10	Dutch

## 7 Audit

---



May only be carried out by authorized personnel.

After complete installation of the machine and before its use, a functional test must be carried out. Before the machine can be used again after a repair, a functional check must always be carried out.

- Select the desired program and check whether the drying cabinet warms up and no unusual noises are audible.

### **Operational**

Once all tests have been passed, the machine is ready for operation.

If tests have not been passed or defects or defects have been detected, contact your local service organization or supplier.

## 8 Information on scrapping

### 8.1 Disposal of the disused device


Before scrapping the machine, carefully check its physical condition and whether there is a risk of parts of the construction starting to crumble or break.

The disposal of the equipment parts depends on their specific properties (e.B metals, oils, greases, plastics, rubber, etc.).

Legislation varies from country to country. Follow the legal and regulatory requirements of the country where the device is to be scrapped.

In general, the device must be taken to a specialized center for recycling/scrap.

Disassemble the device and separate the components according to their chemical properties. The compressor contains lubricating oil and coolant that can be recovered and reused, and the components of the cooler are hazardous waste that can be equated with mixed household waste.




	The symbol on the device means that this device is not to be considered household waste, but must be disposed of properly to avoid negative effects on the environment and health. For more information on recycling this device, contact your local representative, distributor, customer service or local recycling authorities.
---	--

**Note: At the time of scrapping the device, all labels, these instructions and other documents relating to the device must be destroyed.**

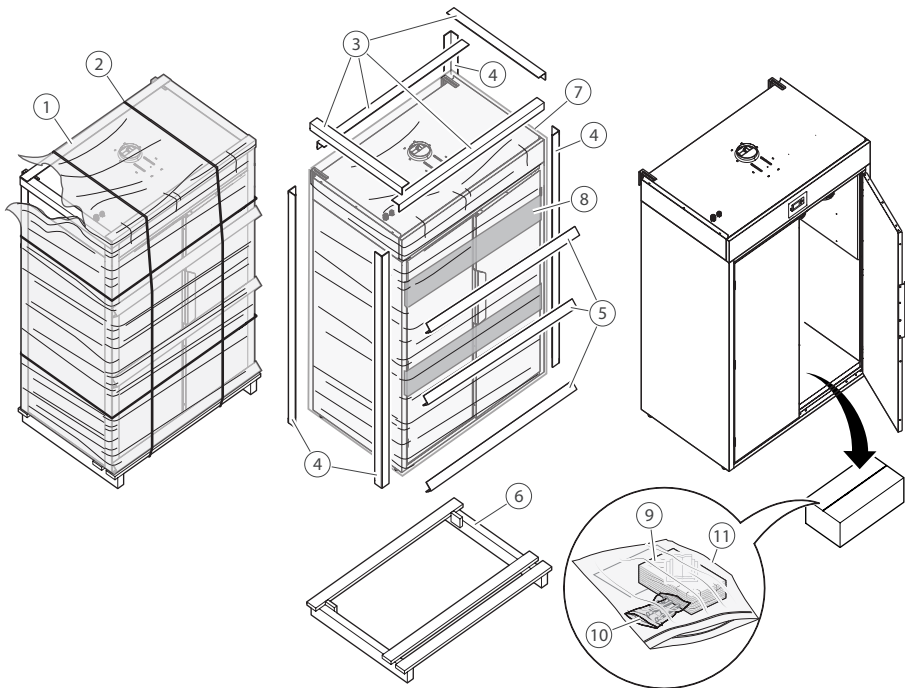
### 8.2 Handling the packaging

The packaging must be disposed of in accordance with the regulations of the country where the device is used. All materials used for packaging are environmentally friendly.

It can be stored, recycled or incinerated in a suitable waste incineration plant. Recyclable plastic parts are marked as in the following examples.

	Polyethylene: <ul style="list-style-type: none"><li>• Packaging</li><li>• Plastic bag with instructions</li></ul>
	Polypropylene: <ul style="list-style-type: none"><li>• Adhesive tape</li></ul>
	Expandiertes Polystyrol: <ul style="list-style-type: none"><li>• Expanded polystyrene</li></ul>





Pos.	Description	Code	Type
1	Packaging film	LDPE 4	Synthetics
2	Plastic tape	PET 1	Synthetics
3	Cardboard protective bar on top	PAP 20	Paper
4	Cardboard protective strip corner	PAP 20	Paper
5	Cardboard protective bar	PAP 20	Paper
6	Chassis protection	FOR 50	Wood
7	Plastic cover	LDPE 4	Synthetics
8	Green Belt	LDPE 4	Synthetics
9	Packaging film	LDPE 4	Synthetics
10	Plastic bag	LDPE 4	Synthetics
11	Plastic bag	LDPE 4	Synthetics

---

## 8.3 Handling of packaging GERMANY

Updated information on the disposal of waste equipment

The Electrical and Electronic Equipment Act (ElektroG) contains many requirements for the handling of electrical and electronic equipment. The most important ones are compiled here.

### 1. Separate collection of WASTE equipment

Electrical and electronic equipment that has become waste is referred to as waste. Owners of old equipment must collect it separately from unsorted municipal waste. Old appliances do not belong in household waste, but in special collection and return systems.

### 2. Batteries and accumulators and light bulbs

As a rule, owners of waste equipment must separate waste batteries and accumulators that are not enclosed by the old appliance and incandescent lamps that can be removed non-destructively from the old appliance before they are handed over to a collection point. This does not apply if waste equipment is prepared for reuse with the participation of a public waste disposal provider.

### 3. Return options for old equipment

Owners of waste equipment from private households may hand it in free of charge to the collection points of the public waste disposal providers or to the collection points set up by manufacturers or distributors in the interests of the voter.

It assumes that shops with a sales area of at least 400 m<sup>2</sup> for electrical and electronic equipment and grocery stores with a total sales area of at least 800 m<sup>2</sup>, which offer electrical and electronic equipment several times a year or on a permanent basis and provide on the market with the obligation to take back electrical and electronic equipment. This also applies to sales by means of distance communication if the storage and dispatch areas for electrical and electronic equipment are at least 400 m<sup>2</sup> or the total storage and dispatch areas are at least 800 m<sup>2</sup>.

In principle, distributors must ensure that they provide suitable take-back options at a reasonable distance from the respective end user.

The possibility of returning an old device free of charge exists in the case of distributors subject to take back, among other things, if a similar new device with the same functions is handed over to an end user. If a new appliance is delivered to a private household, the old appliance of the same type can also be handed in there free of charge for collection; This applies to sales via means of distance communication for devices of categories 1, 2 or 4 in accordance with § 2 para. 1 ElektroG, namely "heat exchangers", "display screen devices" or "large devices" (the latter with at least an external dimension of more than 50 centimeters). End consumers are asked for a corresponding return intention when concluding a purchase contract. In addition, it is possible to return old equipment that is not larger than 25 centimeters in any external dimension free of charge to the collection points of the dealers, regardless of the purchase of a new device, limited to three old devices per device type.

### 4. Privacy policy

Waste equipment often contains sensitive personal data. This applies to information and telecommunications equipment such as computers and smartphones. Please note in your own interest that each end user is responsible for the deletion of the data on the old devices.

### 5. Meaning of the symbol of the crossed-out garbage can

The symbol of a crossed-out garbage can, which is regularly depicted on electrical and electronic equipment, indicates that the device in question must be collected separately from unsorted municipal waste at the end of its service life.

