

Operating and installation instructions Cooker hood



To prevent the risk of accidents or damage to the appliance, it is **essential** to read these instructions before it is installed and used for the first time.

Contents

| | |
|------------------------------------------------------------------|----|
| Warning and Safety instructions | 4 |
| Caring for the environment | 13 |
| Guide to the appliance | 14 |
| Modes of operation | 16 |
| Operation | 17 |
| Switching the fan on and off | 17 |
| Switching the fan off | 17 |
| Switching the hob lighting on/off | 17 |
| Energy saving tips | 18 |
| Cleaning and care | 19 |
| Housing | 19 |
| Important information for appliances with lacquered casing | 19 |
| Grease filters | 20 |
| Replacing the grease filters | 21 |
| Charcoal filter | 22 |
| Disposing of charcoal filters | 22 |
| Changing a bulb | 23 |
| Service | 24 |
| Contact in the event of a fault | 24 |
| Position of the data plate | 24 |
| Warranty | 24 |
| Installation | 25 |
| Before installation..... | 25 |
| Assembly parts..... | 26 |
| Appliance dimensions | 28 |
| Safety distance between hob and cooker hood (S) | 29 |
| Installation recommendations | 30 |
| Protective foil..... | 30 |
| Deflector | 30 |
| Installation under a wall unit..... | 32 |
| Wall installation..... | 34 |
| For air extraction mode | 36 |
| For recirculation mode..... | 37 |
| Electrical connection | 37 |
| Functional check | 37 |
| Electrical connection | 38 |

Contents

| | |
|-------------------------------------|-----------|
| Connection for air extraction | 39 |
| Non-return flap | 39 |
| Condensation | 40 |
| Silencer..... | 41 |
| Technical data | 42 |

Warning and Safety instructions

This cooker hood complies with all relevant local and national safety requirements. Inappropriate use can, however, lead to personal injury and material damage.

Read the operating and installation instructions carefully before using the cooker hood. They contain important information on its safety, installation, use and maintenance. This prevents both personal injury and damage to the cooker hood.

In accordance with standard IEC 60335-1, Miele expressly and strongly advises that you read and follow the instructions in the chapter on installing the appliance as well as the safety instructions and warnings.

Miele cannot be held liable for injury or damage caused by non-compliance with these instructions.

Keep these instructions in a safe place and pass them on to any future owner.

Correct application

▶ This cooker hood is intended for use in domestic households and similar working and residential environments.

▶ The cooker hood is not intended for outdoor use.

▶ It must only be used as a domestic appliance to extract vapours and remove odours from cooking.

Any other usage is not supported by the manufacturer and could be dangerous.

▶ Where a recirculation cooker hood is fitted above a gas hob, please ensure that there is an adequate supply of fresh air into the room in which it is installed. Please seek the advice of a qualified gas fitter (e.g. GasSafe in the UK) for more information if necessary.

Warning and Safety instructions

▶ The cooker hood can only be used by people with reduced physical, sensory or mental capabilities, or lack of experience and knowledge, if they are supervised whilst using it, or have been shown how to use it in a safe way and recognise and understand the consequences of incorrect operation.

Safety with children

- ▶ Children under 8 years of age must be kept away from the cooker hood unless they are constantly supervised.
- ▶ Children aged 8 and older may only use the cooker hood without supervision if they have been shown how to use it and are able to do so in a safe manner. Children must be able to understand and recognise the possible dangers caused by incorrect operation.
- ▶ Children must not be allowed to clean or maintain the cooker hood unsupervised.
- ▶ Please supervise children in the vicinity of the cooker hood and do not let them play with it.
- ▶ The hob lighting is very intensive.
Ensure, in particular, that babies/small children do not look at the light.
- ▶ Danger of suffocation! Whilst playing, children may become entangled in packaging material (such as plastic wrapping) or pull it over their head with the risk of suffocation. Keep packaging material away from children.

Warning and Safety instructions

Technical safety

- ▶ Unauthorised installation, maintenance and repairs can cause considerable danger for the user. Installation, maintenance and repairs must only be carried out by a Miele authorised technician.
- ▶ A damaged appliance can be dangerous. Check it for visible signs of damage. Do not use a damaged appliance.
- ▶ The electrical safety of this appliance can only be guaranteed when correctly earthed. It is essential that this standard safety requirement is met. If in any doubt please have the electrical installation tested by a qualified electrician.
- ▶ Temporary or permanent operation on an autonomous power supply system or a power supply system that is not synchronised with the mains power supply (e.g. island networks, back-up systems) is possible. A prerequisite for operation is that the power supply system complies with the specifications of EN 50160 or an equivalent standard.

The function and operation of the protective measures provided in the domestic electrical installation and in this Miele product must also be maintained in isolated operation or in operation that is not synchronised with the mains power supply, or these measures must be replaced by equivalent measures in the installation. As described, for example, in the current version of BS OHSAS 18001–2 ISO 45001.

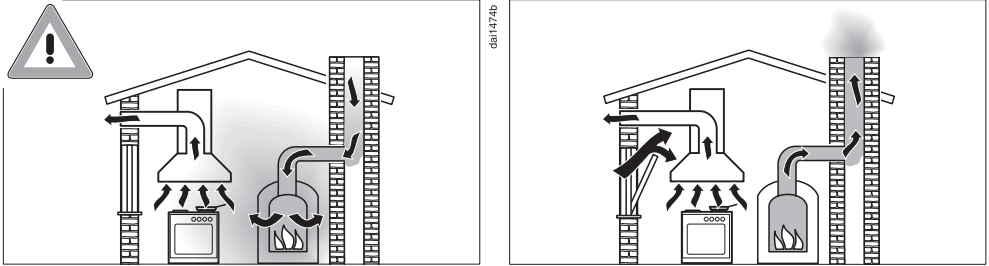
- ▶ The connection data (voltage and frequency) on the data plate of the cooker hood must match the mains electricity supply in order to avoid the risk of damage to the cooker hood
Compare this before connecting the appliance to the mains. Consult a qualified electrician if in any doubt.
- ▶ Do not connect the appliance to the mains electricity supply by a multi-socket unit or an extension lead. These are a fire hazard and do not guarantee the required safety of the appliance.

Warning and Safety instructions

- ▶ For safety reasons, this appliance may only be used after it has been built in.
- ▶ The cooker hood must not be used in a non-stationary location (e.g. on a ship).
- ▶ Touching electrical components and tampering with electrical and mechanical parts is highly dangerous to the user and can cause operational faults.
Only open the housing as described in the instructions given in the installation sheet and in the Cleaning and care section of this booklet. Under no circumstances should any other parts of the housing be opened.
- ▶ The manufacturer's warranty will be invalidated if the appliance is not repaired by a Miele authorised technician.
- ▶ If the electrical connection cable is faulty it must only be replaced by a Miele authorised technician to protect the user from danger.
- ▶ During installation, maintenance and repair work, the appliance must be disconnected from the mains electricity supply.

Warning and Safety instructions

Using at the same time as another heating appliance that depends on the air from the room



Danger of toxic fumes!

Great care should be taken when using the cooker hood in the same room or the same area of the house at the same time as another heating appliance that depends on the air from the room. Such heating appliances draw in air from the room and duct exhaust gases out to the open air through a chimney or extraction ducting. They include gas, oil, wood and coal-fired boilers and heaters, continuous flow or other water heaters, gas hobs and ovens.

The cooker hood draws in air from the kitchen and from neighbouring rooms. This applies to the following modes of operation:

- extraction mode,
- recirculation mode with a recirculation box installed outside the room.

If there is insufficient air, an underpressure will occur. The heating appliance may be starved of oxygen. This impairs combustion. Harmful gases could be drawn from the chimney or extraction ducting back into the room.

Risk of death!

Warning and Safety instructions

In order to ensure safe operation and to prevent gases given off by the heating appliance from being drawn back into the room, when the cooker hood and the heater are both operated simultaneously, an underpressure in the room of 0.04 mbar (4 Pa) is the maximum permissible.

Sufficient ventilation can be maintained by air inlets which cannot be blocked, e.g. in windows, doors and outside wall vents. The cross-section of the inlet openings must enable sufficient ventilation. A ventilation brick alone is not generally sufficient to ensure safe ventilation.

The overall ventilation condition of the dwelling must be taken into account. If in any doubt, the advice of a competent builder, or for gas, a qualified gas fitter should be sought.

If the cooker hood is being operated in recirculation mode, whereby the air is redirected into the room in which it is installed, the above restrictions do not apply.

Warning and Safety instructions

Correct use

▶ Open flames are a fire hazard.

The use of an open flame under the cooker hood is not permitted. To avoid the danger of fire, do not flambé or grill over an open flame.

When switched on, the cooker hood could draw flames into the filter. Fat deposits could ignite, presenting a fire hazard.

▶ The cooker hood can become damaged when exposed to excessive heat.

- When using the cooker hood over a gas hob, ensure that any burners in use are always covered by a pan. Switch the cooking zone off when a pan is removed, even for a short time.
- Select a pan which is suitable for the size of the burner.
- Regulate the flame so that it does not burn up the sides of the pan.
- Avoid overheating the pan (e.g. when cooking with a wok).

▶ Always switch the cooker hood on when a cooking zone is in use, otherwise condensation may collect in the hood, which could cause corrosion.

▶ Overheated oil and fat can ignite, causing fire damage to the cooker hood.

When cooking with oil or fat, chip pans and deep fat fryers, etc, do not leave the pans unattended. Similarly, never leave an open grill unattended when grilling.

Warning and Safety instructions

- ▶ Do not use the cooker hood without the filters in place. This way you will avoid the risk of grease and dirt getting into the appliance and hindering its smooth operation.
- ▶ The cooker hood can get very hot during cooking due to heat rising from the hob.
Do not touch the housing or the grease filters until the cooker hood has cooled down.
- ▶ This cooker hood is not suitable for placing objects on.

Proper installation

- ▶ To determine whether a cooker hood may be operated above your cooking appliance, please refer to the information provided by the appliance's manufacturer.
- ▶ Safety regulations prohibit the fitting of a cooker hood over solid fuel stoves.
- ▶ An insufficient safety distance between the hob and the cooker hood can result in damage to the cooker hood.
The minimum safety distances between the top of the hob and the bottom of the cooker hood given in the "Installation" section of this manual must be observed, unless the hob manufacturer states that a greater safety distance is required.
If more than one cooking appliance is fitted beneath the cooker hood, and they have different minimum safety distances to the cooker hood, select the greater distance.
- ▶ The information provided in "Installation" must be observed when fixing the ventilation hood.
- ▶ Components can have sharp edges which may cause injury.
Wear gloves to protect your hands from being cut.

Warning and Safety instructions

- ▶ Exhaust ducting must be of non-inflammable material. Suitable material is available from Miele specialist dealers or the Miele Spares Dept.
- ▶ The appliance must not be connected to a chimney or flue which is in use. Neither should it be connected to ducting which ventilates rooms with fireplaces.
- ▶ If exhaust air is to be extracted into a chimney or ventilation duct no longer used for other purposes, seek professional advice.

Cleaning and care

- ▶ There is a risk of fire if the cooker hood is not cleaned as described in these operating instructions.
- ▶ Do not use a steam cleaning appliance to clean this appliance. The steam could reach electrical components and cause a short circuit.

Accessories and spare parts

- ▶ Only use genuine original Miele accessories and spare parts with this appliance. Using accessories or spare parts from other manufacturers will invalidate the warranty and Miele cannot accept liability.
- ▶ Miele can only guarantee the safety of the appliance when genuine original Miele replacement parts are used. Faulty components must only be replaced by Miele spare parts.
- ▶ Miele will guarantee to supply functional spare parts for a minimum of 10 years and up to 15 years following the discontinuation of your vapour extraction unit.

Disposing of the packaging material

The packaging material is used for handling and protects the appliance from transport damage. The packaging material used is selected from materials which are environmentally friendly for disposal and can generally be recycled.

Recycling the packaging material reduces the use of raw materials. Use material-specific collection points for valuable materials and take advantage of return options. Your Miele dealer will take the packaging material away.

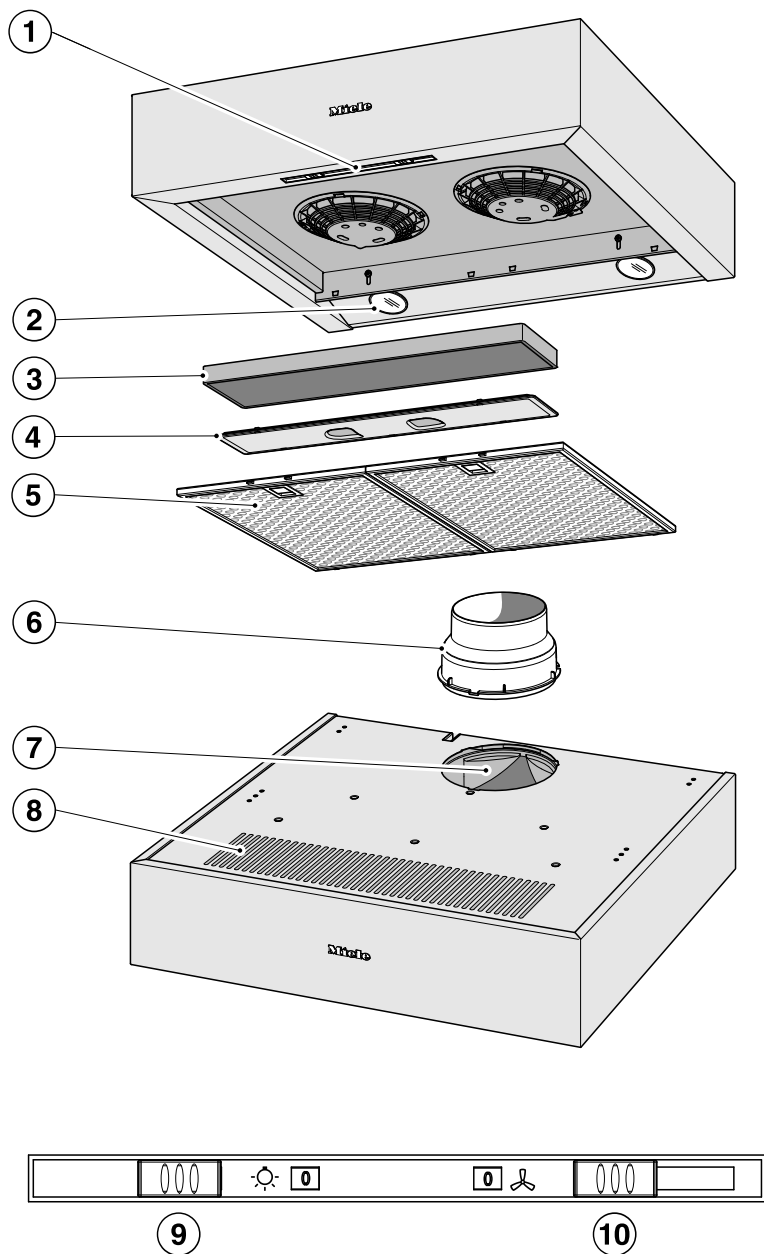
Disposing of your old appliance

Electrical and electronic appliances contain many valuable materials. They also contain certain materials, compounds and components which were essential for their correct functioning and safety. These could be hazardous to human health and to the environment if disposed of with household waste or if handled incorrectly. Please do not, therefore, dispose of your old appliance with household waste.



Instead, please make use of officially designated collection and disposal points to dispose of and recycle electrical and electronic appliances in your local community, with your dealer or with Miele, free of charge. By law, you are solely responsible for deleting any personal data from the old appliance prior to disposal. You are legally obliged to remove any old batteries which are not securely enclosed by the appliance and to remove any lamps without destroying them, where this is possible. These must be taken to a suitable collection point where they can be handed in free of charge. Please ensure that your old appliance poses no risk to children while being stored for disposal.

Guide to the appliance



dai3736

- ① Control elements
- ② Hob lighting
- ③ Charcoal filter
Optional accessories for recirculation mode
- ④ Cover for the charcoal filter compartment
- ⑤ Grease filter
- ⑥ Exhaust duct
(Ø 150 mm, or Ø 125 mm with reducing collar).
- ⑦ Exhaust outlet
- ⑧ Recirculation grille
- ⑨ Sliding switch for the hob lighting
- ⑩ Sliding switch for the fan

Modes of operation

Depending on the model of the cooker hood, the following options are available:

Extraction mode



da104184a

The air is drawn in and cleaned by the grease filters and directed outside.

Recirculation mode

(recirculation mode cooker hoods require a conversion kit and charcoal filter, see “Technical Data”)



da104184b

The air is drawn in and cleaned first by the grease filters and then by a charcoal filter. The cleaned air is then recirculated back into the kitchen.


Switching the fan on and off

Switch the fan on as soon as you start cooking. This is to ensure that vapours are captured right from the start.

Select power levels **1** to **3** for light to heavy cooking vapours, odours or heating.

Increase the power level as the level of vapours, odours or heat increases.

For short periods of cooking food with intensive vapours, odours or heat, e.g. when searing meat, select Booster level **B**.

- Switch the fan on with the fan switch  and select the power level you want.

Switching back the Booster level

In Booster level **B**, the fan power is reduced automatically after 5 minutes.


Switching the fan off

It is advisable to run the fan for a few minutes after cooking has finished to neutralise any lingering vapours and odours in the air.

- Turn the fan switch to **0**.

Switching the hob lighting on/off


The hob lighting can be switched on and off independently of the fan.

- Use the lighting switch  to switch the hob lighting on (**1**) or off (**0**).

Energy saving tips

This cooker hood operates very efficiently and economically. The following will help you to save even more energy when using it:

- Ensure that there is sufficient ventilation in the kitchen when cooking. In extraction mode, if there is insufficient air flow the cooker hood cannot operate efficiently and this causes increased operating noise levels.
- Always cook with the lowest possible setting. This produces fewer cooking vapours, so you can use a lower cooker hood power level and therefore benefit from reduced energy consumption.
- Check the power level selected on the cooker hood. A lower power level is generally sufficient for the majority of cooking. Only use the Booster setting when necessary.
- When a large volume of cooking vapours is being produced, switch to a high power level in good time. This is more efficient than operating the cooker hood for longer to try to capture cooking vapours which have already been distributed throughout the kitchen.
- Make sure that you switch the cooker hood off after use.
- Clean or change the filters at regular intervals. Heavily soiled filters reduce performance, increase the risk of fire and are unhygienic.

 Before proceeding with any maintenance or cleaning task, the cooker hood must be disconnected from the power supply (see “Warning and Safety instructions”).


Housing

General information

Unsuitable cleaning agents can damage the surfaces and control elements.

Do not use any cleaning agents containing soda, acid, chloride or solvent.

Do not use any abrasive cleaning agents, e.g. powder cleaners or cream cleaners and abrasive sponges, as well as pot scourers or sponges which have been used previously with abrasive cleaning agents.

 Moisture in the cooker hood can cause damage.
Make sure that water does not get into the cooker hood.

- All external surfaces and control elements can be cleaned using hot water with a small amount of washing-up liquid applied with a well wrung-out soft sponge or cloth.
- After cleaning, wipe the surfaces dry using a soft cloth.

Important information for appliances with stainless steel surfaces

This information does not apply to the control buttons.

Stainless steel surfaces can be cleaned with a non-abrasive cleaning agent designed specifically for use on stainless steel.

To prevent the surfaces from quickly becoming dirty again, we recommend treating them with a stainless steel care product (available from Miele).

Important information for appliances with lacquered casing

Minor scratches on the surface are inevitable when cleaning the casing; they may be visible depending on the lighting in the kitchen.

Cleaning and care

Important information for the control elements

If soiling is not removed promptly, it could cause the control elements to alter or discolour.

Remove any soiling immediately.

The surface of the control elements can become damaged if they are cleaned using stainless steel cleaning agents.

Do not use stainless steel cleaning agents on the control elements.

Grease filters

 Fire hazard

Oversaturated grease filters are a fire hazard.

Clean the grease filters at regular intervals.

The re-usable metal grease filters in the appliance remove solid particles (grease, dust, etc.) from the kitchen vapours, preventing soiling of the cooker hood.


The grease filters must be cleaned at regular intervals.

Heavily soiled grease filters hinder air extraction and will lead to increased levels of soiling in the cooker hood and in the kitchen.

Cleaning interval

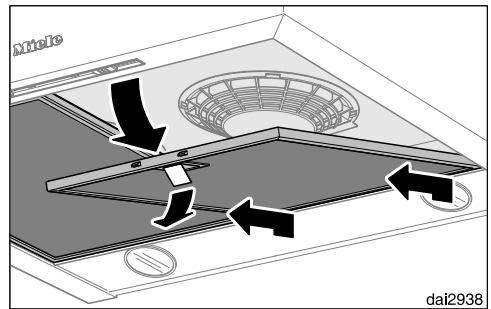
Accumulated grease solidifies over a longer period of time and makes cleaning more difficult. The grease filters should therefore be cleaned every 3 to 4 weeks.

Removing a grease filter

 When handling a grease filter, be careful not to drop it.

This can result in damage to the filter and the hob below.

Make sure you hold the filter securely at all times when handling it.



- To take out a grease filter, release the locking clip on the filter, lower the filter approx. 45°, unhook it at the back and remove it.

Cleaning the grease filters by hand

- Clean the filters with a soft nylon brush in a mild solution of hot water and a small amount of washing-up liquid. Do not use “neat” washing up liquid.

Unsuitable cleaning agents

Unsuitable cleaning agents can cause damage to the surface of the filters if used regularly.

Do not use:

- cleaning agents containing descaling agents
- powder cleaners, cream cleaners
- aggressive multi-purpose cleaning agents or spray cleaners for grease
- oven sprays

Cleaning the grease filters in the dishwasher

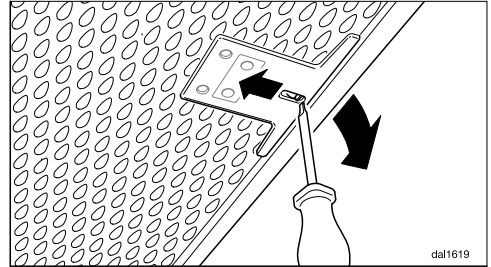
- Place the grease filters upright or slightly inclined in the lower basket. Ensure the spray arm is not obstructed.
- Use a commercially available household dishwasher detergent.
- Select a dishwasher programme with a wash temperature between 50 °C and 65 °C.

Depending on the detergent used, cleaning the filters in a dishwasher may cause the inside filter surfaces to become discoloured. This will not affect the functioning of the grease filters in any way.

After cleaning

- After cleaning, leave the filters to dry on an absorbent surface before replacing them.

- When removing the filters for cleaning, also clean off any residues of oil or fat from the now accessible housing to prevent the risk of these catching fire.
- Refit the grease filters, making sure that the latch faces outwards.



- If a grease filter is inadvertently fitted upside down, insert a small screwdriver blade into the slit to disengage the clip.

Replacing the grease filters

Regular usage and cleaning can cause the filter surfaces to become worn.

If you identify any damage, replace the grease filters.

Grease filters are available to order via the Miele Customer Service Department (see end of these operating instructions for contact details) or from your Miele dealer.

Cleaning and care

Charcoal filter

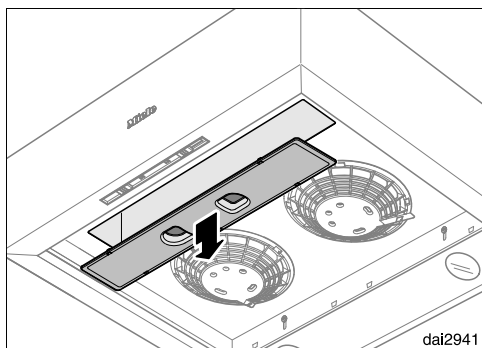
With recirculation mode, a charcoal filter must be fitted in addition to the grease filters. The charcoal filter is designed to absorb cooking odours.

The charcoal filter is fitted in the canopy above the grease filters.

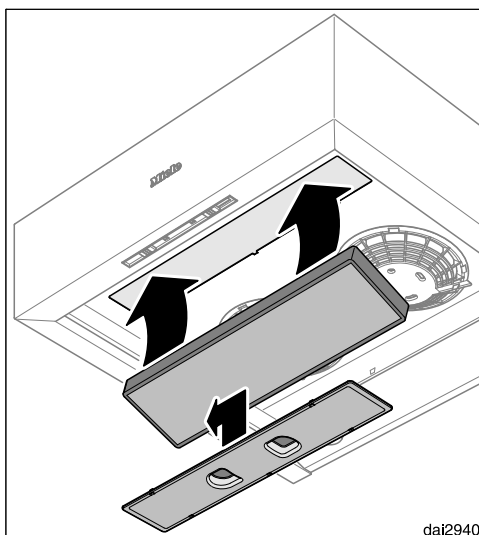
Charcoal filters are available to order via the Miele online shop, the Miele Customer Service Department (see end of these operating instructions for contact details) or from your Miele dealer. The model designation required is listed under “Technical data”.

Fitting/replacing the charcoal filter

- Before fitting or replacing a charcoal filter, the grease filters must first be taken out (see previous section for instructions on how to do this).



- Push the cover for the charcoal filter compartment slightly to the right and then lower it to remove it.
- Take the charcoal filter out of its packaging.



- Insert the charcoal filter in its compartment and push it up against the recirculation grille.
- Refit the cover and the grease filters.

When to change the charcoal filter

- Replace the charcoal filter when it no longer absorbs kitchen odours effectively. It should, however, be replaced at least every 6 months.

Disposing of charcoal filters

- Used charcoal filters can be disposed of with normal household waste.

Changing a bulb

Bulbs should be replaced with bulbs of the same type:

Manufacturer EGLO
Bulb type GU10
Specification..... 12981
Wattage 3 W
ILCOS D Code..... DR-3-H-GU10-50/56

Alternatively, the following bulbs can be used:

Manufacturer EGLO
Bulb type GU10
Specification..... 11511
Wattage 5 W
ILCOS D Code..... DR-5-H-GU10-50/54

These bulbs have a different luminosity. Only use bulbs of the same type in the cooker hood.

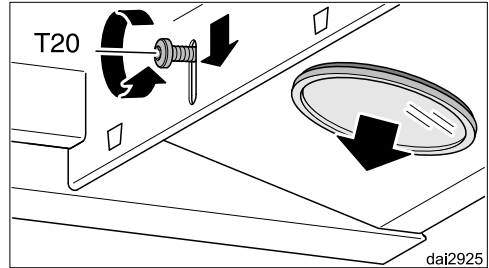
These bulbs are available from Miele or from dealers.

- Switch off the fan and the lighting.
- Remove the grease filters.
- Disconnect the cooker hood from the mains power supply (see “Warnings and safety notes”).

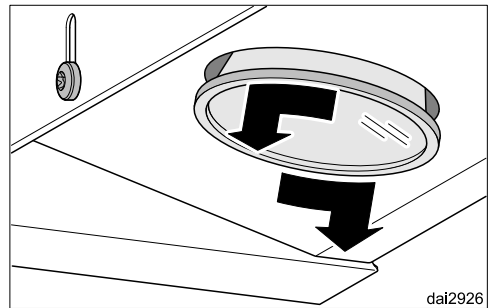


The bulbs can get very hot when in use.

Allow the bulbs to cool down for a few minutes before changing them.



- Loosen the bulb's securing screw a little.
- Slide the screw and the bulb downwards.
- Then tighten the screw again.



- Turn the bulb anticlockwise and pull it out.
- Screw the new bulb into the socket. Please follow the manufacturer's instructions.
- Loosen the screw slightly again, push the bulb up and tighten the screw.
- Refit the grease filters.

Service

Information to help you rectify faults yourself and about Miele spare parts can be found at www.miele.com/service.

In the UK, your appliance warranty is valid for 2 years from the date of purchase. However, you must activate your cover by calling 0330 160 6640 or registering online at www.miele.co.uk.

Contact in the event of a fault

In the event of any faults which you cannot remedy yourself, please contact your Miele dealer or the Miele Customer Service Department.

You can book a Miele Customer Service Department call-out online at www.miele.com/service.

Contact information for the Miele Customer Service Department can be found at the end of this document.

Please quote the model identifier and serial number of your appliance (Fabr./SN/Nr.) when contacting the Miele Customer Service Department. This information can be found on the data plate.

Please note that telephone calls may be monitored and recorded for training purposes and that a call-out charge will be applied to service visits where the problem could have been resolved as described in this booklet.


Position of the data plate

The data plate is visible after removing the grease filter(s).

Warranty

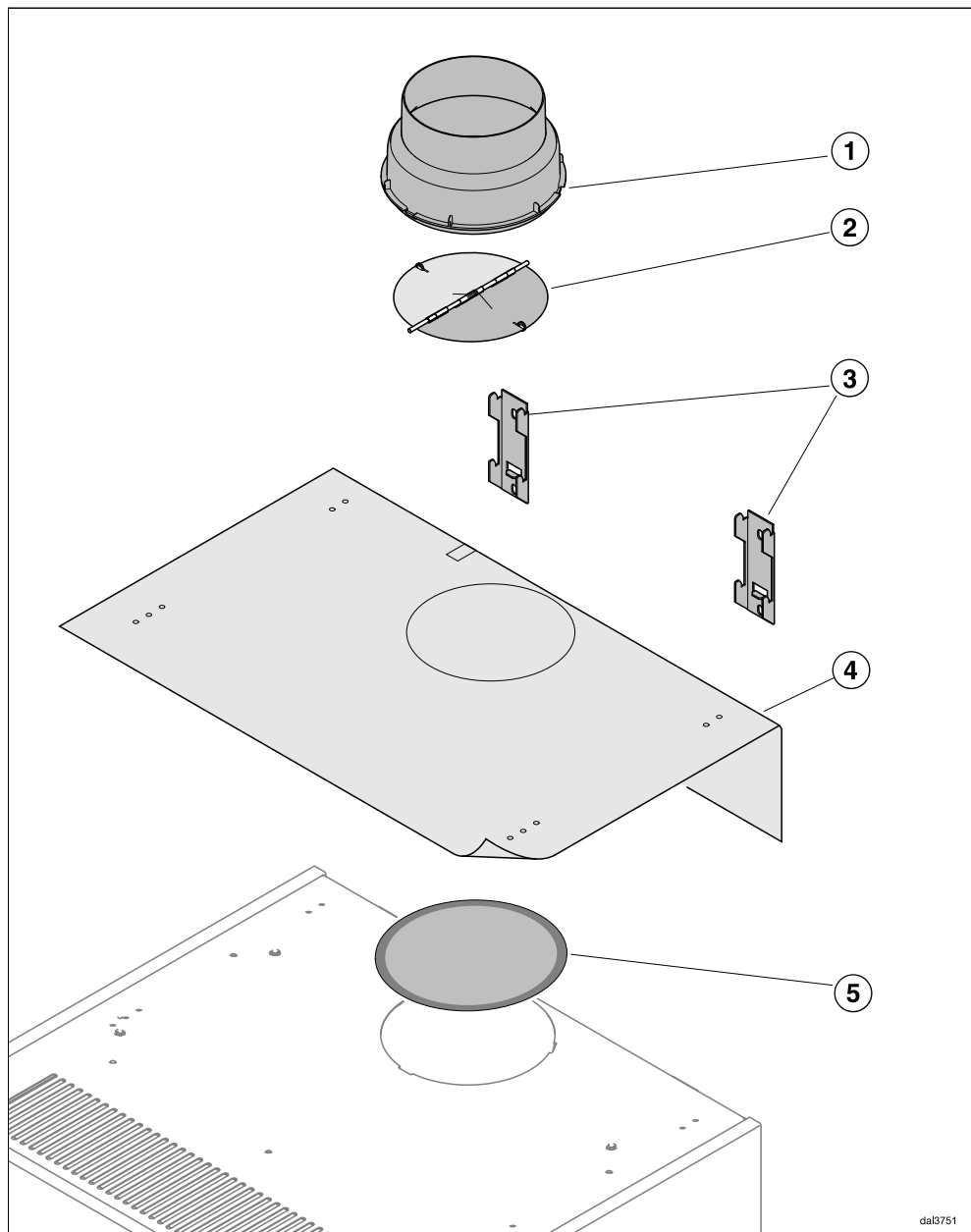
For information on the appliance warranty specific to your country please contact Miele. See back cover for address.

Before installation

 Before installation, it is important to read the information given on the following pages as well as the “Warning and Safety instructions” at the beginning of this booklet.

Installation

Assembly parts



dal3751

- ① **1 exhaust socket**
for \varnothing 150 mm or \varnothing 125 mm exhaust ducting (not to be used with recirculation mode).
- ② **1 non-return flap**
for fitting into the exhaust socket (not to be used with recirculation mode).
- ③ **2 brackets**
for securing the cooker hood to the wall (not required when installed underneath the wall unit).
- ④ **1 drilling template**
- ⑤ **1 cover foil**
for rear exhaust opening when using recirculation mode. The foil is included with the charcoal filter (optional accessory).




560new-0100x8x50

4 screws, 5 x 60 mm and

4 plugs, 8 x 50 mm

for securing to the wall.

 The screws and plugs are designed for use in solid walls only. For other types of wall construction, alternative fixings will be required. Make sure the wall is able to take the weight of the cooker hood.



9102000

4 self-tapping screws 4.2 x 30 mm

for securing the cooker hood to a wall unit (from above).



09679120

4 wood screws 4 x 30 mm

for securing the cooker hood to the wall unit (from below).

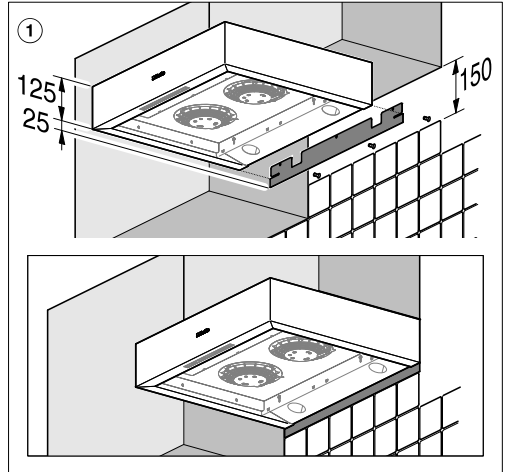
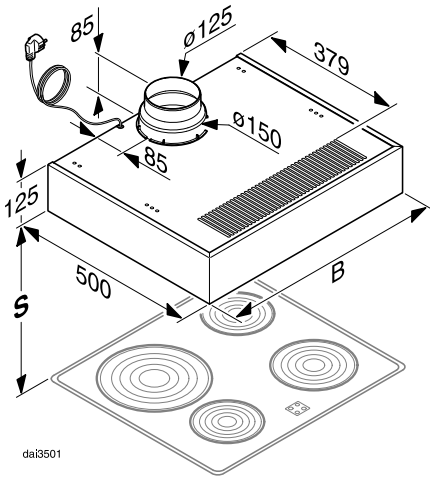


00040035

4 cover caps

Installation

Appliance dimensions



DA 1255: B = 548 mm

DA 1260: B = 598 mm

DA 1200: B = 998 mm

Connection for air extraction \varnothing 150 mm, or \varnothing 125 mm with reducing collar.

- ① If the cooker hood is replacing another cooker hood which had a construction height of 150 mm, a filler panel can be used to cover the aperture left by the previous cooker hood.

The filler panel can be ordered as an accessory in various widths:

- Miele DAB 55 for DA 1255
- Miele DAB 60 for DA 1260
- Miele DAB 100 for DA 1200

Safety distance between hob and cooker hood (S)

When planning the installation height of your cooker hood, the minimum safety distance between the top of a cooker or hob and the bottom of the cooker hood is as follows, unless a greater distance is specified by the manufacturer of your cooking appliance.

See “Warning and Safety” instructions for further information.

| Cooking appliance | Minimum distance S |
|------------------------------------------------------------------------------------------------------------|--------------------|
| Electric hob | 450 mm |
| Electric grill, deep fat fryer (electric) | 650 mm |
| Multi-burner gas hob, total output ≤ 12.6 kW, no burner > 4.5 kW | 650 mm |
| Multi-burner gas hob, total output > 12.6 kW and ≤ 21.6 kW, no burner > 4.8 kW. | 760 mm |
| Multi-burner gas hob, total output > 21.6 kW, or multi-burner gas hob where one burner > 4.8 kW. | Not possible |
| Single burner gas hob, output ≤ 6 kW. | 650 mm |
| Single burner gas hob, output > 6 kW and ≤ 8.1 kW. | 760 mm |
| Single burner gas hob, output > 8.1 kW | Not possible |

Installation

Installation recommendations

- To achieve optimum vapour extraction, the cooker hood must be positioned centrally over the hob, not to the side.
- The hob should be no wider than the cooker hood, and if possible, it should be narrower.
- The installation area must be easily accessible. The cooker hood should be easily accessible and easy to dismantle in the event that service is required. This should be taken into consideration when planning the position of cupboards, shelves, ceilings or features in the vicinity of the cooker hood.

Protective foil

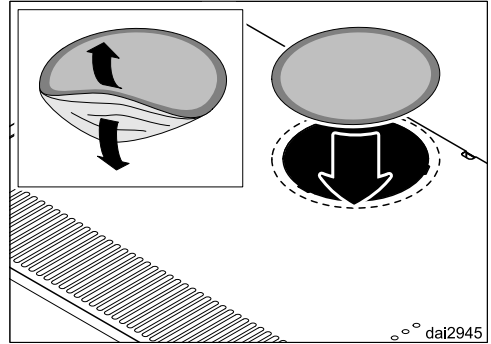
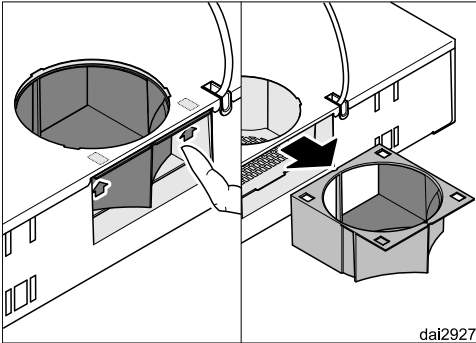
The housing components of stainless steel models have protective foil around them to protect them from transport damage.

- Please remove the grease filters from the appliance and remove this foil from the housing components and the frames of the grease filters before installing the cooker hood. The foil can be peeled off easily.

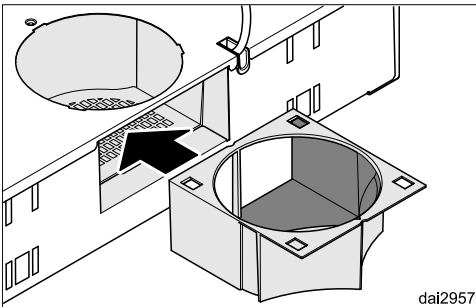
Deflector

A deflector is installed in the rear of the cooker hood. Its position depends on operating mode. With extraction the air is directed upwards and out of the housing at the back. With recirculation the opening is closed and the air is directed forwards through the recirculation grille.

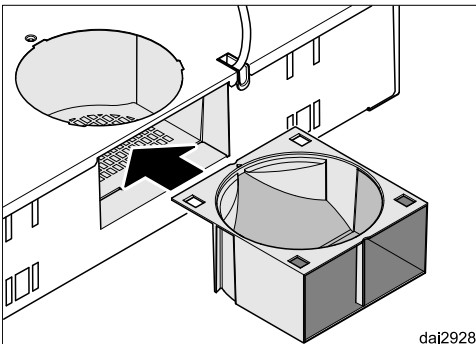
- Check the position of the deflector.



- For operation in recirculation mode, cover the opening at the back of the cooker hood with the protective foil supplied with the charcoal filter (optional accessory).



Extraction

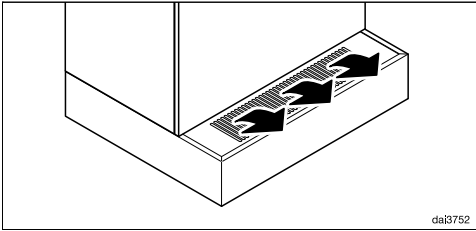


Recirculation

- Remove the deflector if necessary and turn it as appropriate for the operating mode required. To do this press the two hooks, remove the deflector, turn it and push it back in until it clicks into position.

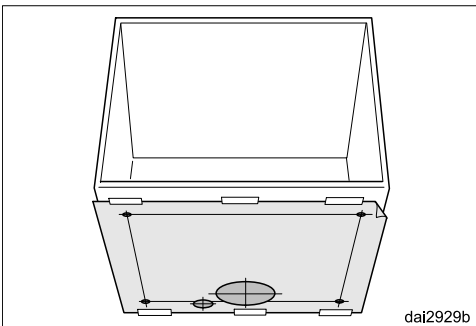
Installation

Installation under a wall unit




When selecting the installation position, ensure that the recirculation grille at the front of the appliance will not be covered by the wall unit.

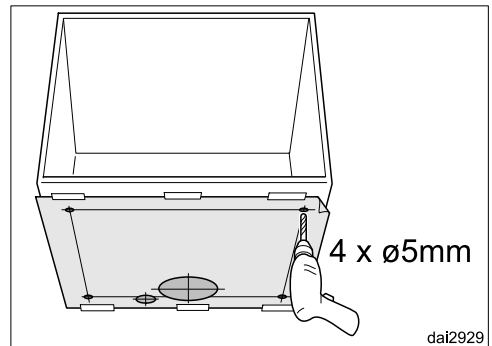
Cut-out for mains cable and extraction ducting



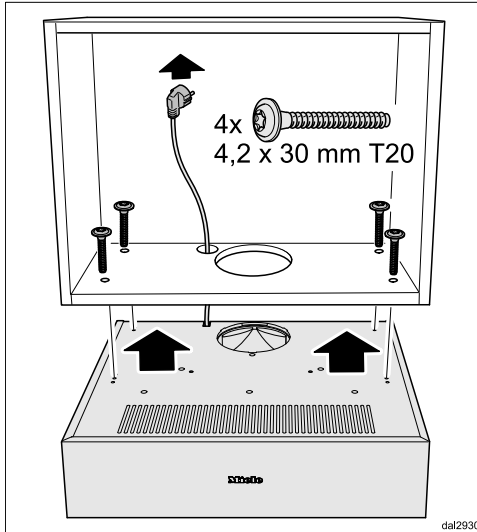
- Cut the drilling template to size and secure to the bottom of the wall unit.
- For extraction mode make a cut-out of at least $\varnothing 170$ mm in the bottom of the unit.
- If the mains connection cable is to be fed through the unit, a hole will also need to be made in the unit for it.

Securing from above

 Use only the fixing points as shown on the drilling template and the screws supplied. Incorrect fitting can lead to damage to the cooker hood and could compromise electrical safety (e.g. electric shock).



- Use the drilling template to drill four $\varnothing 5$ mm fixing holes through the bottom of the cabinet.
- Remove the drilling template.



dal2930

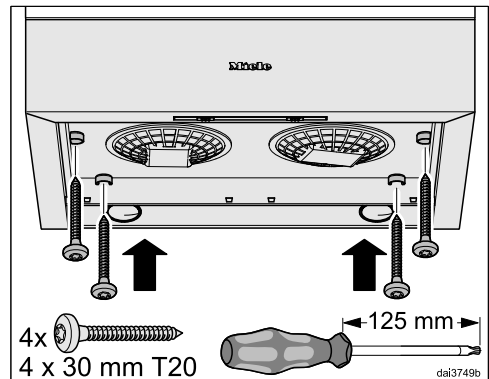
- Lift the cooker hood up under the wall unit and feed the connection cable through the base of the unit.
- Use the self-tapping screws (supplied) to attach the cooker hood from the inside of the cabinet.

Securing from below

Miele recommends securing from above as described above. Should it not be possible to do so, the cooker hood can also be secured from below to the base of the unit.

The screws supplied are intended for securing the cooker hood to a solid wooden cabinet floor with a minimum thickness of 16 mm. Ensure the floor can permanently support the weight of the appliance.

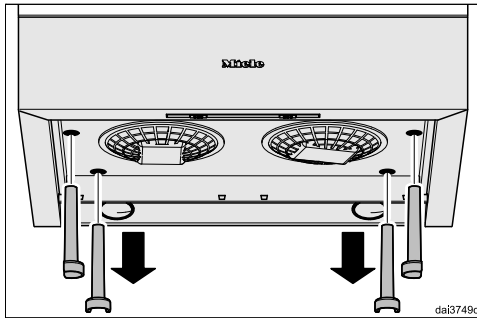
- Lift the cooker hood underneath the wall unit.



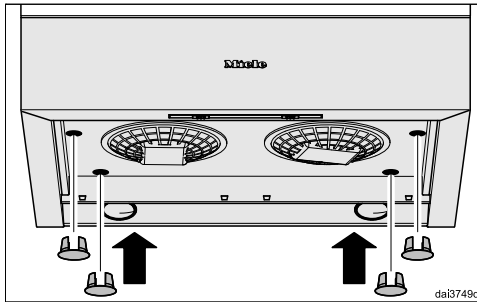
dal3749b

- Insert the wood screws (supplied) into the guide plugs and screw the cooker hood to the base of the unit.

Installation



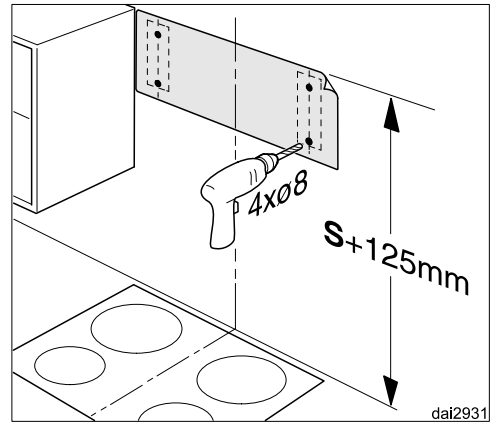
- Remove the guide plugs from the housing.



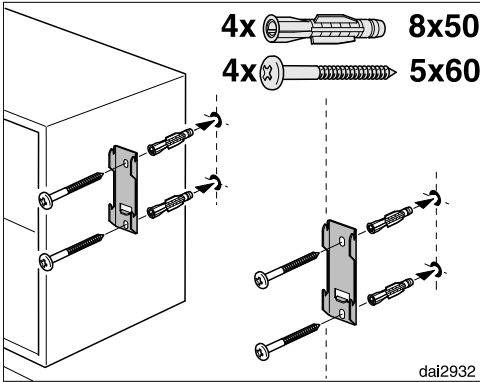
- Use the cover caps to close the holes (this also applies when securing the cooker hood from above).
- Replace the grease filters.

Wall installation


You also have the option of securing the cooker hood to the wall using two fixing brackets.

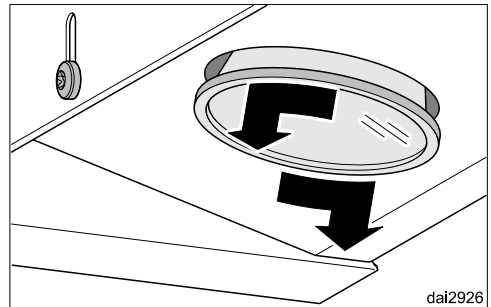
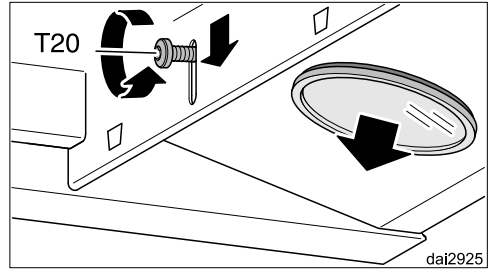


- Cut the drilling template to size and position against the wall. The top edge of the template indicates the top edge of the cooker hood. Please observe the safety distance (S) to the hob (see "Appliance dimensions").
- Mark and drill four holes for the fixing brackets (Ø 8 mm).
- Remove the drilling template.



- Secure the fixing brackets to the wall using the plugs and screws supplied.

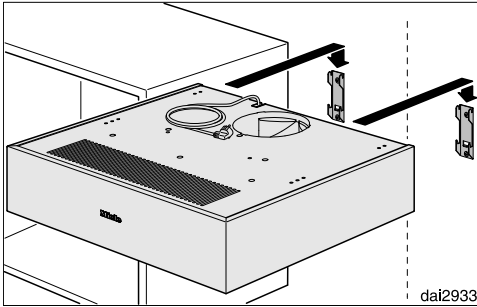
 The screws and plugs are designed for use in solid walls only. For other types of wall construction, alternative fixings will be required. Make sure the wall is able to take the weight of the cooker hood.



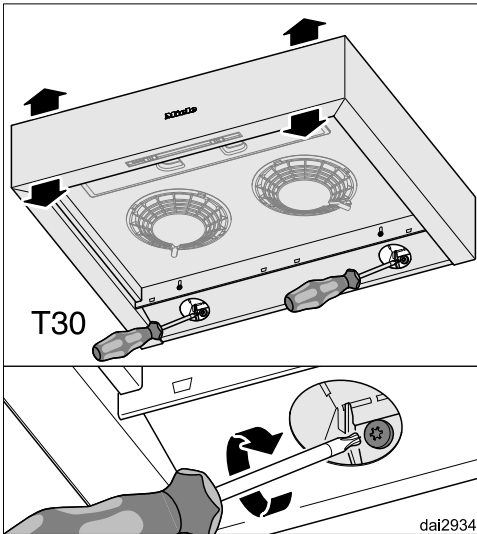
- Remove the lamps:

- Loosen the halogen lamp's securing screw a little.
- Slide the screw and the lamp downwards.
- Then tighten the screw again.
- Turn the halogen lamp anti-clockwise and pull it out.

Installation

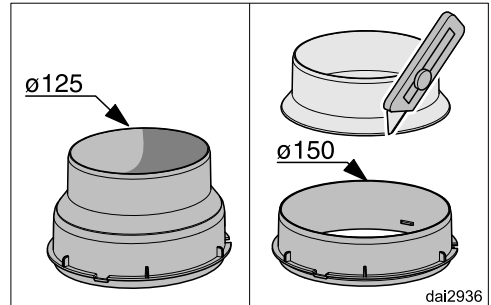


- Hang the cooker hood on the brackets.

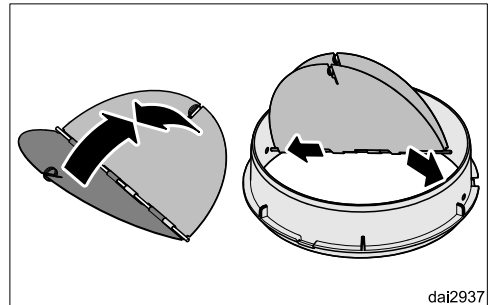


- Tighten both screws at the back of the cooker hood on the left and right. This adjusts the alignment of the cooker hood to prevent it being lifted off the fixing brackets.
- Replace the lamps.
- Replace the grease filters.

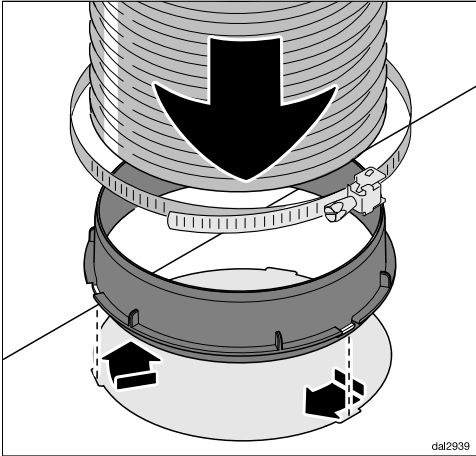
For air extraction mode



- For Ø 150 mm exhaust ducting, cut the exhaust socket to size with a sharp knife. For Ø 125 mm exhaust ducting the exhaust socket is installed as it is.



- Insert the non-return flap, if required. Make sure that it opens easily and closes again by itself.



Electrical connection

Refer to the notes in “Electrical connection” and “Warning and Safety instructions” before connecting to the electricity supply.

- Connect the cooker hood to the electricity supply.

Functional check

- To do this, switch the fan on.
 - In air extraction mode air should not come out of the recirculation grille at the front of the cooker hood.
 - In recirculation mode the air should come out of the recirculation grille at the front of the cooker hood.

If this does not happen, the deflector is not installed correctly (see “Deflector”).

- Attach the exhaust ducting, e.g. flexible hose, to the exhaust socket using a hose clip (available as an optional accessory).
- Insert the exhaust socket into the exhaust opening and secure it by turning it slightly clockwise.
- See “Connection for air extraction” for further instructions on fitting the ducting.

For recirculation mode


- Fit the charcoal filter (see “Cleaning and care”).

Installation


Electrical connection

The cooker hood is supplied with a mains cable with moulded plug ready for connection to a suitable earthed socket.

If the socket is not easily accessible or a fixed connection is envisaged, ensure that a suitable means of disconnection is provided on the installation side for each pole.

 Risk of fire from overheating. Connecting the cooker hood to multi-socket adapters or extension cables can overload the cables. For safety reasons, do not use an extension cable or multi-socket adapter.

The electrical system must comply with local and national safety regulations (BS 7671 in the UK).

For safety reasons, we recommend using a type  residual current device (RCD) in the relevant electrical installation for connecting the cooker hood.

If the mains connection cable is damaged, it must only be replaced with a specific mains connection cable of the same type (available from the Miele Customer Service Department). For safety reasons, such replacement may only be carried out by a qualified specialist or the Miele Customer Service Department.

These operating instructions and the data plate indicate the nominal power consumption and the appropriate fuse rating. Compare this information with the data of the on-site electrical

connection.

If in any doubt, consult a qualified electrician.

Temporary or permanent operation on an autonomous power supply system or a power supply system that is not synchronised with the mains power supply (e.g. island networks, back-up systems) is possible. A prerequisite for operation is that the power supply system complies with the specifications of EN 50160 or an equivalent standard. The function and operation of the protective measures provided in the domestic electrical installation and in this Miele product must also be maintained in isolated operation or in operation that is not synchronised with the mains power supply, or these measures must be replaced by equivalent measures in the installation. As described, for example, in the current version of VDE-AR-E 2510-2.

Connection for air extraction

⚠ If the cooker hood is used at the same time as a heating appliance that relies on oxygen from the same room, there is a risk in certain circumstances of toxic fumes building up.

It is essential that the “Warning and Safety” instructions are observed. The cooker hood should be installed according to local and national building regulations. Seek approval from the building inspector where necessary.

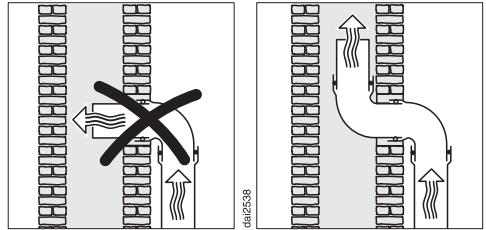
Only use smooth pipes or flexible exhaust ducting made from approved non-flammable materials for exhaust ducting.

To achieve the most efficient air throughput with the lowest noise levels, please note the following:

- The diameter of the exhaust ducting must not be smaller than the cross-section of the exhaust duct (see “Appliance dimensions”). This applies in particular when using flat ducting.
- The exhaust ducting should be as short and straight as possible.
- Only use wide radius bends.
- The exhaust ducting must not be kinked or compressed.
- All connections must be strong and airtight.
- If the exhaust ducting has flaps, these must be opened whenever the cooker hood is switched on.

Any constriction of the air throughput will reduce extraction performance and increase operating noise.

Flue



If the exhaust air is to be ducted into a flue, the ducting must be directed in the flow direction of the flue.

If the flue is used by several ventilation units, the cross-section of the flue must be large enough.

Non-return flap

- Use a non-return flap in the exhaust system.

A non-return flap ensures that when the cooker hood is not in operation, the duct is closed to prevent unwanted exchange of room air and outside air.

If the exhaust is ducted through an outside wall, a Miele wall vent or roof vent (available as an optional accessory) is recommended. Both of these have a built-in non-return flap.

If the on-site ventilation system does not have a non-return flap, one is supplied with the cooker hood.

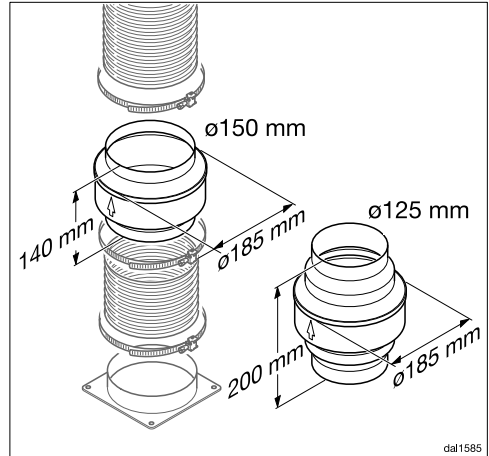
The non-return flap is fitted in the exhaust socket of the fan.

Installation

Condensation

If the exhaust ducting is to run through cool rooms or ceiling space, for example, the significant variations in temperature between the different areas can cause condensation to form. Insulate the exhaust ducting to reduce temperature variations.

If the exhaust ducting is to be laid horizontally, it must be laid with a downwards sloping gradient of at least 1 cm per meter. This is to ensure that condensation cannot drain back into the cooker hood.



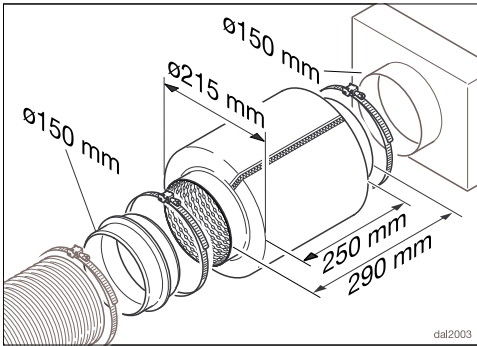
In addition to insulating the exhaust ducting, it is advisable to also install a condensate trap for collecting and evaporating any potential condensation.

Condensate traps for 125 mm or 150 mm diameter exhaust ducting are available as optional accessories.

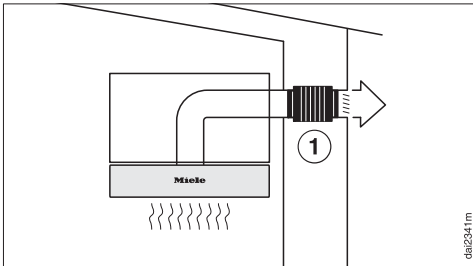
When installing a condensate trap, ensure that it is positioned vertically and as closely as possible to the cooker hood above the exhaust connection. The arrow on the casing indicates the direction of airflow.

Miele shall not accept warranty claims for any functional defects or damage caused by inadequate exhaust ducting.

Silencer



To reduce noise levels even further, a silencer (optional accessory) can be installed in the exhaust ducting.



In extraction mode, the silencer not only reduces noise from the fan outside the house, but also sounds originating outside reaching the kitchen through the exhaust ducting (e.g. traffic noise). For this reason, the silencer must be positioned as close as possible to the ducting exit ①.

Technical data

| | |
|----------------------------------|-----------------|
| Fan motor | 2 x 115 W |
| Hob lighting | 2 x 3 W |
| Total rated load | 236 W |
| Mains voltage, frequency | AC 230 V, 50 Hz |
| Fuse rating | 10 A |
| Length of mains connection cable | 1.5 m |
| Weight | |
| DA 1255 | 11 kg |
| DA 1260 | 11.2 kg |
| DA 1200 | 14.6 kg |

Optional accessories for recirculation mode

1 charcoal filter DKF 18-P

Data sheet for household cooker hoods

In acc. with delegated regulation (EU) No. 65/2014 and regulation (EU) No. 66/2014

| MIELE | |
|-----------------------------------------------------------------------------------|-------------------------|
| Model name/identifier | DA 1260 |
| Annual Energy Consumption (AEC_{hood}) | 91,6 kWh/year |
| Energy efficiency class | C |
| Energy efficiency index (EEL_{hood}) | 82,1 |
| Fluid Dynamic Efficiency (FDE_{hood}) | 16,3 |
| Fluid Dynamic Efficiency class | |
| A (most efficient) to G (least efficient) | D |
| Lighting Efficiency (LE_{hood}) | 55,0 lx/W |
| Lighting Efficiency class | |
| A (most efficient) to G (least efficient) | A |
| Grease Filtering Efficiency | 95,1% |
| Grease Filtering Efficiency class | |
| A (most efficient) to G (least efficient) | A |
| Airflow at best efficiency point | 317,1 m ³ /h |
| Air flow (min. speed) | 275 m ³ /h |
| Air flow (max. speed) | 355 m ³ /h |
| Air flow (intensive or boost setting) | 545 m ³ /h |
| Max. air flow (Q_{max}) | 545 m ³ /h |
| Air pressure at best efficiency point | 313 Pa |
| Airborne acoustical A-weighted sound power emissions (min. speed) | 57 dB |
| Airborne acoustical A-weighted sound power emissions (max. speed) | 64 dB |
| Airborne acoustical A-weighted sound power emissions (intensive or boost setting) | 74 dB |
| Electrical power input at best efficiency point | 169,0 W |
| Power consumption in off mode (P_o) | 0,00 W |
| Power consumption in standby mode (P_s) | W |
| Nominal power of lighting system | 6,0 W |
| Average illumination of the lighting system on the cooking surface | 330 lx |
| Time increase factor | 1,4 |

Technical data

Data sheet for household cooker hoods

In acc. with delegated regulation (EU) No. 65/2014 and regulation (EU) No. 66/2014

| MIELE | |
|-----------------------------------------------------------------------------------|-------------------------|
| Model name/identifier | DA 1200 |
| Annual Energy Consumption (AEC_{hood}) | 90,4 kWh/year |
| Energy efficiency class | C |
| Energy efficiency index (EEL_{hood}) | 81,1 |
| Fluid Dynamic Efficiency (FDE_{hood}) | 16,8 |
| Fluid Dynamic Efficiency class | |
| A (most efficient) to G (least efficient) | D |
| Lighting Efficiency (LE_{hood}) | 45,8 lx/W |
| Lighting Efficiency class | |
| A (most efficient) to G (least efficient) | A |
| Grease Filtering Efficiency | 95,1 % |
| Grease Filtering Efficiency class | |
| A (most efficient) to G (least efficient) | A |
| Airflow at best efficiency point | 326,8 m ³ /h |
| Air flow (min. speed) | 275 m ³ /h |
| Air flow (max. speed) | 355 m ³ /h |
| Air flow (intensive or boost setting) | 545 m ³ /h |
| Max. air flow (Q_{max}) | 545 m ³ /h |
| Air pressure at best efficiency point | 313 Pa |
| Airborne acoustical A-weighted sound power emissions (min. speed) | 57 dB |
| Airborne acoustical A-weighted sound power emissions (max. speed) | 64 dB |
| Airborne acoustical A-weighted sound power emissions (intensive or boost setting) | 74 dB |
| Electrical power input at best efficiency point | 169,0 W |
| Power consumption in off mode (P_o) | 0,00 W |
| Power consumption in standby mode (P_s) | W |
| Nominal power of lighting system | 6,0 W |
| Average illumination of the lighting system on the cooking surface | 275 lx |
| Time increase factor | 1,4 |

United Kingdom

Miele Co. Ltd., Fairacres, Marcham Road, Abingdon, Oxon, OX14 1TW

Tel: 0330 160 6600, Internet: www.miele.co.uk/service, E-mail: info@miele.co.uk

Australia

Miele Australia Pty. Ltd.

ACN 005 635 398

ABN 96 005 635 398

Level 4, 141 Camberwell Road

Hawthorn East, VIC 3123

Tel: 1300 464 353

Internet: www.miele.com.au

China Mainland

Miele Electrical Appliances Co., Ltd.

1-3 Floor, No. 82 Shi Men Yi Road

Jing' an District

200040 Shanghai, PRC

Tel: +86 21 6157 3500

Fax: +86 21 6157 3511

E-mail: info@miele.cn,

Internet: www.miele.cn

Hong Kong, China

Miele (Hong Kong) Ltd.

41/F - 4101, Manhattan Place

23 Wang Tai Road

Kowloon Bay, Hong Kong

Tel: (852) 2610 1025

Fax: (852) 3579 1404

Email:

customerservices@miele.com.hk

Website: www.miele.hk

India

Miele India Pvt. Ltd.

1st Floor, Copia Corporate Suites,

Commercial Plot 9,

Mathura Road, Jasola,

New Delhi - 110025

E-mail: customercare@miele.in

Website: www.miele.in

Manufacturer: Miele & Cie. KG, Carl-Miele-Straße 29, 33332 Gütersloh, Germany

Ireland

Miele Ireland Ltd.

2024 Bianconi Avenue

Citywest Business Campus

Dublin 24

Tel: (01) 461 07 10

Fax: (01) 461 07 97

E-Mail: info@miele.ie

Internet: www.miele.ie

Kuwait

Miele Kuwait

Al Wazzan United Trading Co.

P. O. Box : 3379

Hawally, 32034 Kuwait

Tel.: 00965-22001010

Fax: 00965-24838292

E-mail: mail@alwazzanunited.com

Website: www.alwazzanunited.com

Malaysia

Miele Sdn Bhd

Suite 12-2, Level 12

Menara Sapura Kencana

Petroleum

Solaris Dutamas No. 1

Jalan Dutamas 1

50480 Kuala Lumpur, Malaysia

Phone: +603-6209-0288

Fax: +603-6205-3768

New Zealand

Miele New Zealand Limited

IRD 98 463 631

8 College Hill

Freemans Bay, Auckland 1011

New Zealand

Tel: 0800 464 353

Internet: www.miele.co.nz

Singapore

Miele Pte. Ltd.

29 Media Circle

#11-04 ALICE@Mediapolis

Singapore 138565

Tel: +65 6735 1191

Fax: +65 6735 1161

E-Mail: info@miele.com.sg

Internet: www.miele.sg

South Africa

Miele (Pty) Ltd.

63 Peter Place, Bryanston 2194

P.O. Box 69434, Bryanston 2021

Tel: (011) 875 9000

Fax: (011) 875 9035

E-mail: info@miele.co.za

Internet: www.miele.co.za

Thailand

Miele Appliances Ltd.

BHIRAJ TOWER at EmQuartier

43rd Floor Unit 4301-4303

689 Sukhumvit Road

North Klongton Sub-District

Vadhana District

Bangkok 10110, Thailand

United Arab Emirates

Miele Appliances Ltd.

Showroom 1, Eiffel 1 Building

Sheikh Zayed Road, Umm Al Sheif

P.O. Box 114782 - Dubai

Tel. +971 4 3044 999

Fax. +971 4 3418 852

800-MIELE (64353)

E-Mail: info@miele.ae

Website: www.miele.ae

DA 1255, DA 1260, DA 1200

en-GB

M.-Nr. 12 407 060 / 00