

Operating and installation instructions Induction hobs



To avoid the risk of accidents or damage to the appliance it is **essential** to read these instructions before it is installed and used for the first time.

Contents

Warning and Safety instructions	7
Sustainability and environmental protection	20
Familiarisation	21
Hob	21
Controls and display	23
Cooking zones.....	25
Power management.....	26
Operating principles.....	27
Networking.....	28
Miele@home.....	28
Functions	29
Con@ctivity.....	29
Permanent pan recognition.....	29
Pan and pan size recognition	29
PowerFlex XL cooking area.....	29
Booster.....	29
Stop&Go.....	29
Additional power levels.....	29
Auto heat-up.....	29
Timer.....	29
System lock	30
Safety lock	30
Recall	30
Keeping warm.....	30
Wipe protection	30
Vapour extraction.....	30
Programming	30
Demo mode.....	30
Residual heat indicator	30
Safety switch-off.....	31
Overheating protection	32
Commissioning	33
Unpacking the hob	33
Cleaning the hob for the first time	33
Switching on the hob for the first time.....	33
Using the vapour extraction for the first time	33
Miele@home	34
Installing the Miele app	34
Setting up Miele@home	34

Operation	38
Safety notes for operation.....	38
Switching the hob on	39
Switching off a cooking zone/the hob	39
Positioning cookware.....	39
Power level	40
Setting the power level	40
Setting the power level – extended setting range	40
Changing the power level	40
Manually connecting/disconnecting PowerFlex XL cooking zones	40
Booster	41
Activating the Booster	41
Deactivating the Booster.....	41
Stop&Go	41
Activating Stop&Go	41
Deactivating Stop&Go.....	41
Auto heat-up	42
Activating auto heat-up.....	42
Deactivating auto heat-up.....	42
Timer	43
Setting timer durations	43
Setting the minute minder	43
Changing the minute minder duration.....	43
Deleting the minute minder duration.....	43
Setting the switch-off time	44
Changing the switch-off time	44
Deleting the switch-off time	44
Setting multiple switch-off times.....	44
Displaying switch-off times.....	44
Using both timer functions at the same time.....	45
System lock.....	46
Activating the system lock	46
Deactivating the system lock.....	46
Safety lock.....	46
Activating the safety lock.....	46
Deactivating the safety lock.....	46
Activating the Recall function.....	47
Activating/deactivating the Keeping warm function	47
Wipe protection.....	47
Activating wipe protection	47
Deactivating wipe protection.....	47

Contents

Vapour extraction	48
Setting the power level	48
Switching off the vapour extraction	48
Activating the Booster	48
Deactivating the Booster	48
Deactivating Con@ctivity temporarily	48
Activating run-on	49
Deactivating run-on	49
Hob data	50
Displaying the model identifier/serial number	50
Displaying the software version	50
Activating/deactivating demo mode	50
Setting ranges	51
Good to know	52
Hob	52
How induction hobs work	52
Noises	52
Pans	53
Vapour extraction	55
How the vapour extraction works	55
Operating hours counter	56
Air extraction tips	56
Adjusting settings	57
Cleaning and care	61
Cleaning the ceramic glass surfaces	62
Dishwasher-safe components	62
Cover grille	63
Removing the cover grille	63
Cleaning the cover grille by hand	63
Cleaning the cover grille in the dishwasher	63
Grease filter	63
Removing the grease filter	63
Cleaning the grease filter by hand	63
Cleaning the grease filter in the dishwasher	64
Fitting the grease filter	64
Resetting the grease filter operating hours counter	64
Charcoal filter (only KMDA 7876 FL-U)	64
Replacing the charcoal filter (only KMDA 7876 FL-U)	64
Resetting the charcoal filter operating hours counter (only KMDA 7876 FL-U)	65

Cleaning the vapour extraction drip tray	65
Cleaning inside the vapour extraction casing	65
Cleaning the inside of the fan unit	66
Troubleshooting	67
Messages in the display	67
Unexpected behaviour	69
Unsatisfactory results	70
General problems or technical faults	70
After sales service	72
Contact in the event of a fault	72
Data plate	72
Warranty	72
Note for test institutes	73
Optional accessories	74
Installation	75
Safety notes for installation	75
Additional safety notes for extraction mode	77
Additional safety notes for Plug&Play mode	78
Additional safety notes for surface-mounted installation	79
Additional safety notes for flush-fit installation	80
Safety distances	81
Operating options	84
Installation examples	85
Building-in dimensions for surface-mounted installation	87
KMDA 7876 FL-A, KMDA 7876 FL-U	87
Extraction and guided recirculation mode with surface-mounted installation	88
Plug&Play with surface-mounted installation	89
Installation dimensions for flush-fit installation	90
KMDA 7876 FL-A, KMDA 7876 FL-U	90
Extraction and guided recirculation mode with flush-fit installation	91
Plug&Play with flush-fit installation	92
Connection to window contact	93
Installing a surface-mounted hob with extraction and guided recirculation mode	95
Installing a surface-mounted hob with Plug&Play	96
Installing a flush-fit hob with extraction and guided recirculation mode	98
Installing a flush-fit hob with Plug&Play	99

Contents

Rear wall cut-out without drilling template	102
Creating the rear wall cut-out with surface-mounted installation and an installation depth of 23,8 cm	102
Creating the rear wall cut-out with flush-fit installation and an installation depth of 23,8 cm	103
Creating the rear wall cut-out with surface-mounted installation and an installation depth of 24,8 cm	104
Creating the rear wall cut-out with flush-fit installation and an installation depth of 24,8 cm	105
Electrical connection	106
Product data sheets	109
UK Conformity declaration	111

Warning and Safety instructions

This hob complies with all relevant local and national safety requirements. Inappropriate use can, however, lead to personal injury and material damage.

Read the operating and installation instructions carefully before using the hob. They contain important information on safety, installation, use and maintenance. This prevents both personal injury and damage to the hob.

In accordance with standard IEC 60335-1, Miele expressly and strongly advises that you read and follow the instructions in the chapter on installing the hob as well as the safety instructions and warnings.

Miele cannot be held liable for injury or damage caused by non-compliance with these instructions.

Keep these instructions in a safe place and pass them on to any future owner.

Warning and Safety instructions

Correct application

- ▶ This hob is intended for domestic use and use in other similar environments.
- ▶ This hob is not intended for outdoor use.
- ▶ It is intended for domestic use only to cook food and keep it warm. Any other use is not supported by the manufacturer and could be dangerous.
- ▶ This hob is not intended for use by people with reduced physical, sensory or mental capabilities or lack of experience and knowledge, unless they have been given supervision and instruction concerning its use by a person responsible for their safety. They may only use the hob unsupervised if they have been shown how to use it in a safe way. They must be able to recognise and understand the dangers of misuse.

Safety with children

- ▶ Children under 8 years of age must be kept away from the hob unless they are constantly supervised.
- ▶ Children over 8 years of age may use the hob without supervision if its operation has been clearly explained to them and they are able to use it safely. Children must be able to understand and recognise the possible dangers caused by incorrect operation.
- ▶ Children must not be allowed to clean the hob unsupervised.
- ▶ Please supervise children in the vicinity of the hob and do not let them play with it.
- ▶ The hob gets hot when in use and remains hot for a while after being switched off. Keep children well away from the hob until it has cooled down and there is no danger of burning.
- ▶ Danger of burning. Do not store anything which might arouse a child's interest in storage areas above or behind the hob. Otherwise they could be tempted to climb onto the hob.
- ▶ Risk of burning and scalding. Place pots and pans on the cooking zone in such a way that children cannot pull them down and burn themselves.
- ▶ Danger of suffocation! Whilst playing, children may become entangled in packaging material (such as plastic wrapping) or pull it over their head with the risk of suffocation. Keep packaging material away from children.
- ▶ Activate the system lock to ensure that children cannot switch on the hob inadvertently. Use the safety lock when the hob is in use to prevent children from altering the settings selected.

Warning and Safety instructions

Technical safety

- ▶ Unauthorised installation, maintenance and repairs can cause considerable danger for the user. Installation, maintenance and repairs must only be carried out by a Miele authorised technician.
- ▶ Damage to the hob can compromise your safety. Check the hob for visible signs of damage. Do not use the hob if it is damaged.
- ▶ Temporary or permanent operation on an autonomous power supply system or a power supply system that is not synchronised with the mains power supply (e.g. island networks, back-up systems) is possible. A prerequisite for operation is that the power supply system complies with the specifications of EN 50160 or an equivalent standard.

The function and operation of the protective measures provided in the domestic electrical installation and in this Miele product must also be maintained in isolated operation or in operation that is not synchronised with the mains power supply, or these measures must be replaced by equivalent measures in the installation. As described, for example, in the current version of BS OHSAS 18001–2 ISO 45001.

- ▶ The electrical safety of this hob can only be guaranteed when correctly earthed. It is essential that this standard safety requirement is met. If in any doubt please have the electrical installation tested by a qualified electrician.
- ▶ To avoid the risk of damage to the hob, make sure that the connection data on the data plate (voltage and frequency) match the mains electricity supply before connecting it to the mains. Consult a qualified electrician if in doubt.
- ▶ Do not connect the hob to the mains electrical supply by a multi-socket adapter or extension lead. These are a fire hazard and do not guarantee the required safety of the appliance.
- ▶ For safety reasons, this hob may only be used after it has been built in.

Warning and Safety instructions

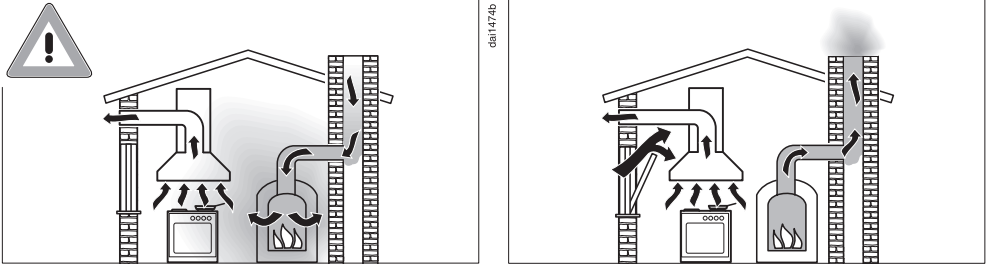
- ▶ This hob must not be used in a non-stationary location (e.g. on a ship).
- ▶ Never open the casing of the hob.
Touching or tampering with electrical connections or components and mechanical parts is highly dangerous to the user and can cause operational faults.
- ▶ While the hob is under warranty, repairs should only be undertaken by a Miele authorised service technician. Otherwise the warranty is invalidated.
- ▶ Miele can only guarantee the safety of the appliance when genuine original Miele replacement parts are used. Faulty components must only be replaced by Miele spare parts.
- ▶ The hob is not intended for use with an external timer switch or a remote control system.
- ▶ The hob must be connected to the electricity supply by a qualified electrician (see “Installation – Electrical connection”).
- ▶ If the mains connection cable is damaged, it must be replaced with a special mains connection cable by a qualified electrician (see “Installation – Electrical connection”).
- ▶ The hob must be disconnected from the mains electricity supply during installation, maintenance and repair work. Ensure that power is not supplied to the appliance until after it has been installed or until any maintenance or repair work has been carried out.
- ▶ Danger of electric shock. Do not use the hob if it is faulty, or if the ceramic surface is cracked, chipped or damaged in any way. Switch it off immediately. Disconnect the hob from the mains electricity supply. Contact Miele Service.
- ▶ If the hob is installed behind a cabinet door, do not close the door while the hob is in use. Heat and moisture can build up behind the closed door. This can result in damage to the hob, the housing unit and the floor. Do not close the door until the residual heat indicators go out.

Warning and Safety instructions

▶ In areas which may be subject to infestation by cockroaches or other vermin, pay particular attention to keeping the appliance and its surroundings clean at all times. Any damage caused by cockroaches or other vermin will not be covered by the warranty.

Warning and Safety instructions

Using at the same time as other heating appliances that depend on the air from the room



Danger of toxic fumes!

Great care should be taken when using the cooker hood in the same room or the same area of the house as another heating appliance that depends on the air from the room.

Such heating appliances draw in air from the room and duct exhaust gases out through a chimney or extraction ducting. They include gas, oil, wood and coal-fired boilers and heaters, continuous flow or other water heaters, gas hobs and ovens.

The cooker hood draws in air from the kitchen and from neighbouring rooms. This applies to the following modes of operation:

- extraction mode,
- recirculation mode with a recirculation box installed outside the room.

If there is insufficient air, an underpressure will occur. The heating appliance may be starved of oxygen. This impairs combustion. Harmful gases could be drawn from the chimney or extraction ducting back into the room, with potentially fatal consequences. Risk of death!

Warning and Safety instructions

In order to ensure safe operation and to prevent gases given off by the heating appliance from being drawn back into the room, when the cooker hood and the heater are both operated simultaneously, an underpressure in the room of 0.04 mbar (4 Pa) is the maximum permissible.

Sufficient ventilation can be maintained by air inlets which cannot be blocked, e.g. in windows, doors and outside wall vents. The diameter of the inlet openings must enable sufficient ventilation. A ventilating brick alone is not generally sufficient to ensure safe ventilation.

The overall ventilation condition of the dwelling must be taken into account. If in any doubt, the advice of a competent builder, or for gas, a qualified gas fitter should be sought.

If the cooker hood is being operated in recirculation mode, where the air is passed back into the room in which the extractor is installed, the above restrictions do not apply.

Correct use

- ▶ The hob gets hot when in use and remains hot for a while after being switched off. There is a danger of burning until the residual heat indicators go out.
- ▶ Oil and fat can overheat and catch fire. Do not leave the hob unattended when cooking with oil and fat. If it does ignite do not attempt to put the flames out with water.
Disconnect the hob from the mains and use a suitable fire blanket, saucepan lid, damp towel or similar to smother the flames.
- ▶ Do not leave the hob unattended whilst it is being used. It should be continually monitored whilst boiling and flash frying.
- ▶ Open flames are a fire hazard.
Do not flambé food. When switched on, the cooker hood could draw flames into the filter. Kitchen grease deposits could ignite.
- ▶ Spray canisters, aerosols and other inflammable substances can ignite when heated. Therefore do not store such items or substances in a drawer under the hob. Cutlery inserts must be heat-resistant.
- ▶ Do not heat an empty pan.
- ▶ Do not heat up food in closed containers e.g. tins or sealed jars on the hob, as pressure can build up in the container, causing it to explode.
- ▶ Do not cover the hob, e.g. with a hob cover, a cloth or protective foil. The material could catch fire, shatter or melt if the hob is switched on by mistake or if residual heat is still present.
- ▶ When the appliance is switched on either deliberately or by mistake, or when there is residual heat present, there is the risk of any metal items left on the hob heating up, with the danger of burning. Depending on the material, other items left on the hob could also melt or catch fire. Damp pan lids might adhere to the ceramic surface and be difficult to dislodge. Do not use the appliance as a resting place. Switch the cooking zones off after use.

Warning and Safety instructions

- ▶ You could burn yourself on the hot hob. Protect your hands with heat-resistant pot holders or gloves when handling hot pots and pans. Do not let them get wet or damp, as this causes heat to transfer through the material more quickly with the risk of scalding or burning yourself.
- ▶ Hot cooking vapours during cooking can cause the cooker hood to get hot.
Do not touch the casing or the grease filters until the cooker hood has cooled down.
- ▶ When using an electrical appliance, e.g. a hand-held food blender, near the hob, ensure that the cable of the electrical appliance cannot come into contact with the hot hob. The insulation on the cable could become damaged.
- ▶ Grains of salt, sugar and sand (e.g. from cleaning vegetables) can cause scratches if they get under pan bases. Make sure that the ceramic surface is clean before placing pans on it.
- ▶ Even a light object can cause damage in certain circumstances. Do not drop anything on the ceramic surface.
- ▶ Placing hot pans on the sensors and indicators could damage the electronics underneath. Do not place hot pans on the sensors or indicators.
- ▶ Do not allow solid or liquid sugar, or pieces of plastic or aluminium foil to get onto the hob when it is hot, as they can damage the ceramic surface when it cools down. If this should occur, switch off the appliance and scrape off all the sugar, plastic or aluminium residues whilst still hot, using a shielded scraper blade suitable for use on glass. Wear oven gloves when doing this. Allow the ceramic surface to cool down and then clean it with a suitable ceramic hob cleaning agent.
- ▶ Pans which boil dry can cause damage to the ceramic glass. Do not leave the hob unattended whilst it is being used.

Warning and Safety instructions

- ▶ Only use pots and pans with smooth bases. Rough bases will scratch the ceramic glass.
- ▶ Lift pans into position on the hob. Sliding them into place can cause scuffs and scratches.
- ▶ Because induction heating works so quickly, the base of the pan could, under certain circumstances, heat up to the temperature at which oil or fat self-ignites within a very short time. Never leave the hob unattended during use!
- ▶ Heat oil or fat for a maximum of one minute. Never use the Booster function to heat oil or fat.
- ▶ For people fitted with a heart pacemaker: Please note that the area immediately surrounding the hob is electromagnetically charged. It is very unlikely to affect a pacemaker. However, if in any doubt, consult the manufacturer of the pacemaker or your doctor.
- ▶ To prevent damage to items which are susceptible to electromagnetic fields, e.g. credit cards, digital storage devices, pocket calculators, etc, do not leave them in the immediate vicinity of the hob.
- ▶ Metal utensils stored in a drawer under the hob can become hot if the appliance is used intensively for a long time.
- ▶ The hob is fitted with a cooling fan. If a drawer is fitted directly underneath the hob, ensure that there is sufficient space between the drawer and its contents and the underside of the hob in order to ensure sufficient ventilation for the hob.
- ▶ If a drawer is fitted directly underneath the hob, do not store any pointed or small items, paper, serviettes, etc. in the drawer. They could get in through the ventilation slots or be sucked into the casing by the fan and damage the fan or impair cooling.
- ▶ Never use two items of cookware on a cooking zone, extended zone or Flex cooking area at the same time.

Warning and Safety instructions

- ▶ If the cookware only partially covers a cooking or extended zone, the handle could become very hot.
Always place cookware in the middle of a cooking or extended zone!
- ▶ Only use the Flex cooking area for rectangular or oval oven dishes.
- ▶ Deposits of grease and dirt will prevent the cooker hood from working properly.
Do not use the cooker hood without the grease filters in place. Otherwise cooking vapours will not be cleaned.
- ▶ There is a risk of fire if cleaning is not carried out as described in these operating instructions.
- ▶ Do not cover the vapour extraction cover grille when in use.
- ▶ Do not place hot cookware on the vapour extraction cover grille.
This will impair the function of the vapour extraction and may damage the cover grille.
- ▶ Liquids can damage the cooker hood if they get into it. Keep liquids away from the cooker hood.
- ▶ Light objects can be drawn into the cooker hood and impair its operation. Do not place any light objects (e.g. paper towels) within close proximity of the cooker hood.
- ▶ The induction generators could be damaged or even destroyed if you use an induction adapter plate for cookware. Do not use induction adapter plates.

Cleaning and care

- ▶ Do not use a steam cleaning appliance to clean this hob. The steam could reach electrical components and cause a short circuit.
- ▶ If the hob is installed above a pyrolytic oven or cooker, do not use the hob during a pyrolytic cleaning programme as this could trigger the overheating protection device on the hob (see “Familiarisation – Safety switch-off”).
- ▶ Cosmetic products, especially sunscreen, and hand disinfectants can leave stains on matt glass surfaces. If cosmetic products come into contact with a matt glass surface, remove the residue immediately with hot water, washing-up liquid and a clean microfibre cloth.

Accessories

- ▶ Only use genuine original Miele accessories and spare parts with this appliance. Using accessories or spare parts from other manufacturers will invalidate the warranty and Miele cannot accept liability.
- ▶ Miele will guarantee to supply functional spare parts for a minimum of 10 years and up to 15 years following the discontinuation of your hob.

Sustainability and environmental protection

Energy saving tips

- Cook in covered pots and pans if possible. This prevents heat escaping unnecessarily.
- Cook with as little water as possible.
- Once food has come to the boil or the pan is hot for frying, reduce the heat to a lower power level.
- Use a pressure cooker to reduce cooking durations.

Disposing of the packaging material

The packaging material is used for handling and protects the appliance from transport damage. The packaging material used is selected from materials which are environmentally friendly for disposal and can generally be recycled.

Recycling the packaging material reduces the use of raw materials. Use material-specific collection points for valuable materials and take advantage of return options. Your Miele dealer will take the packaging material away.

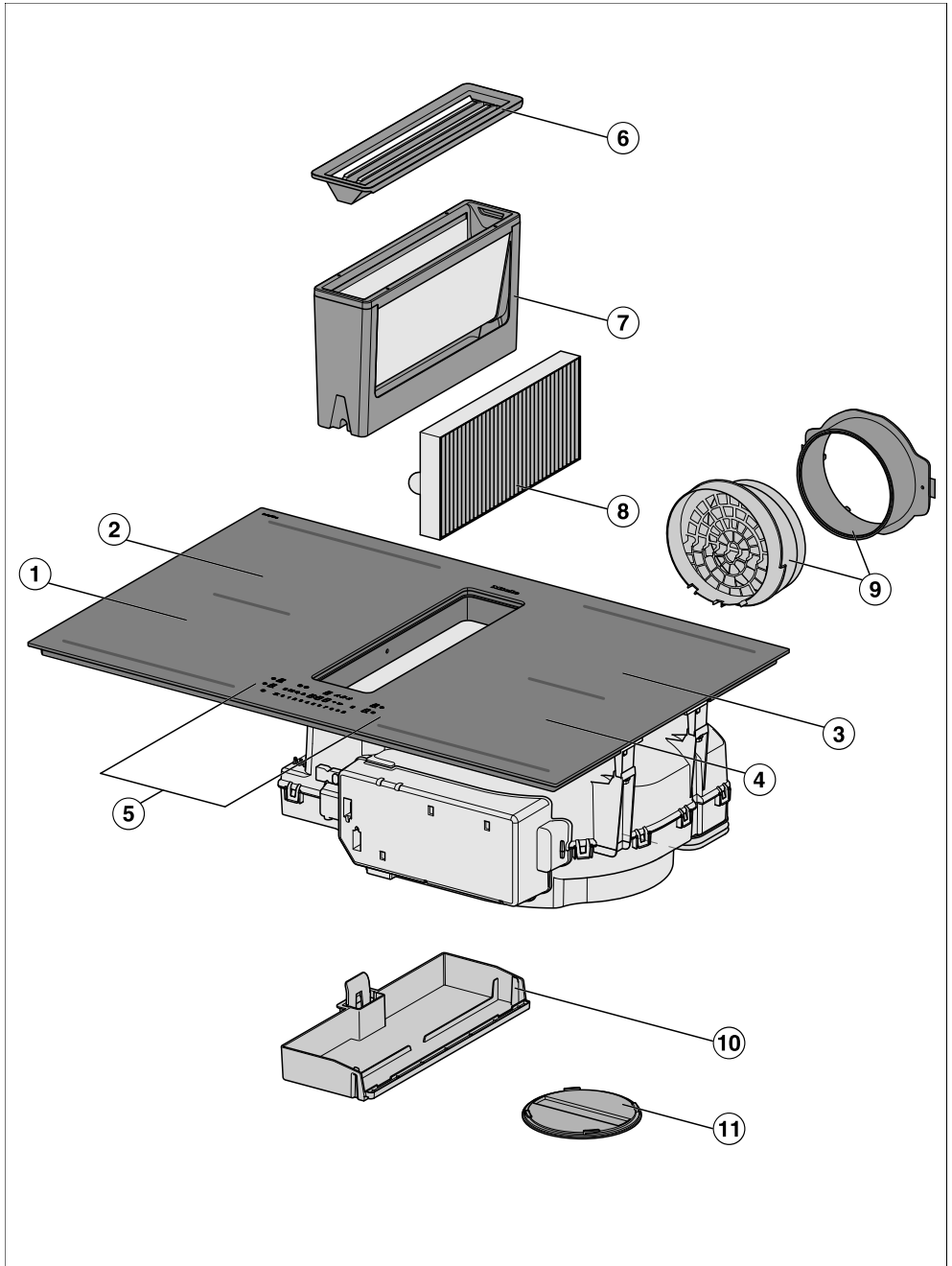
Disposing of your old appliance

Electrical and electronic appliances contain many valuable materials. They also contain certain materials, compounds and components which were essential for their correct functioning and safety. These could be hazardous to human health and to the environment if disposed of with household waste or if handled incorrectly. Please do not, therefore, dispose of your old appliance with household waste.



Instead, please make use of officially designated collection and disposal points to dispose of and recycle electrical and electronic appliances in your local community, with your dealer or with Miele, free of charge. By law, you are solely responsible for deleting any personal data from the old appliance prior to disposal. You are legally obliged to remove any old batteries which are not securely enclosed by the appliance and to remove any lamps without destroying them, where this is possible. These must be taken to a suitable collection point where they can be handed in free of charge. Please ensure that your old appliance poses no risk to children while being stored for disposal.

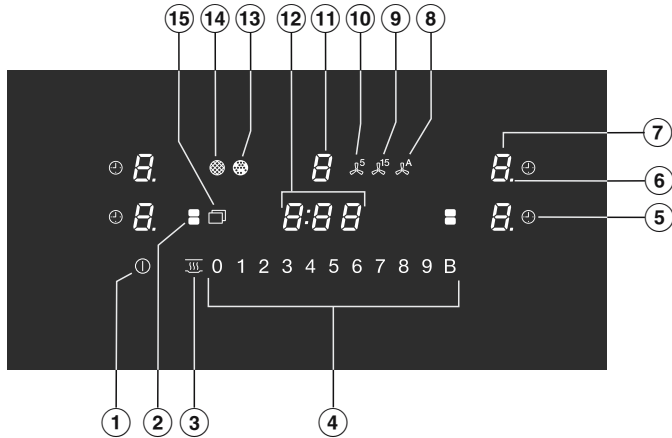
Hob



Familiarisation



- ① PowerFlex XL cooking zone with TwinBooster
- ② PowerFlex XL cooking zone with TwinBooster can be combined with PowerFlex XL cooking zone ① to form PowerFlex XL cooking area
- ③ PowerFlex XL cooking zone with TwinBooster can be combined with PowerFlex XL cooking zone ④ to form PowerFlex XL cooking area
- ④ PowerFlex XL cooking zone with TwinBooster
- ⑤ Controls and indicators
- ⑥ Cover grille
- ⑦ Grease filter
- ⑧ Charcoal filter
KMDA 7876 FL-U only
- ⑨ Plug&Play adapter
KMDA 7876 FL-U only
- ⑩ Removable drip tray
- ⑪ Cleaning flap

Controls and display




- ① Hob On/Off sensor control
- ② PowerFlex XL cooking zones sensor control
For manual connection/disconnection of PowerFlex XL cooking zones
- ③ Keeping warm sensor control
To activate/deactivate the Keeping warm function
- ④ Numerical display sensor controls
– To set the power level
– To set the times
- ⑤ Auto switch off sensor control
Switches the cooking zones off automatically
- ⑥ Power level display – extended setting range
- ⑦ Cooking zone selection and display sensor control
 - Cooking zone is ready for operation
 - Power level
 - Residual heat
 - Auto heat-up
 - Cookware missing or unsuitable
 - TwinBooster level 1
 - TwinBooster level 2
 - Keeping warm

Familiarisation

- ⑧ Con@ctivity sensor control
For activating/deactivating the Con@ctivity function of the built-in vapour extraction
- ⑨ Sensor control for the 15 minute run-on option
- ⑩ Sensor control for the 5 minute run-on option
- ⑪ Vapour extraction selection and display sensor control
 - 0* Vapour extraction is ready for operation
 - 1 to 9* Power level
(can be changed to 3 levels)
 - „* Booster function is activated
- ⑫ Timer display
 - 0:00 to 9:59* Time
 - LOC* System lock/safety lock is activated
 - dE* Demo mode is activated
- ⑬ Charcoal filter indicator
The charcoal filter must be cleaned
- ⑭ Grease filter indicator
Grease filter must be cleaned
- ⑮ Menu sensor control for displaying the following sensor controls
 -  Wipe protection sensor control
For locking the sensor controls
 -  Minute minder sensor control
 - +** Entry sensor control
 - For changing the programming
 - For amending the times
 - II▶** Stop&Go sensor control
For stopping/starting a cooking process in progress

Cooking zones

Cooking zone	Size in cm ¹		Max. rating in watts for 230 V ²		Linked cooking zone ³
	∅				
①	15–23	15 x 15 – 23 x 23	Normal TwinBooster, level 1 TwinBooster, level 2	2100 3000 3650	③
②	15–23	15 x 15 – 23 x 23	Normal TwinBooster, level 1 TwinBooster, level 2	2100 3000 3650	④
③	15–23	15 x 15 – 23 x 23	Normal TwinBooster, level 1 TwinBooster, level 2	2100 3000 3650	①
④	15–23	15 x 15 – 23 x 23	Normal TwinBooster, level 1 TwinBooster, level 2	2100 3000 3650	②
① + ② ③ + ④	–	15 x 25 – 23 x 46	Normal TwinBooster, level 1 TwinBooster, level 2	3400 4800 7300	-
			Total	7300	

¹ Cookware with a base diameter/surface (width x depth) within the given range may be used.

² The power given may vary depending on the size and material of the cookware used.

³ The cooking zone is linked to this cooking zone electrically so that the rating can be increased (see “Familiarisation – Power management”).

Familiarisation

Power management

Total power

The hob has a maximum total permitted power consumption which cannot be exceeded for safety reasons. You can reduce the maximum total permitted power consumption (see “Adjusting settings”).

The higher the total permitted power consumption of the hob, the more power levels/functions can be used on all cooking zones at the same time.

If the set power levels/functions require more power than can be provided in accordance with the total permitted power consumption, the hob will distribute the maximum permitted power between the cooking zones.

Distribution of power

Cooking zones can be linked together in pairs on the hob. This allows power to be transferred from one cooking zone (A) to another (B). As a result, the power of cooking zone (A) is reduced.

Example: the Booster function for cooking zone (B) is activated.

Cooking zone (B) which requires additional power is determined by the most recent setting on the hob.

The values for the maximum total permitted power consumption and which cooking zones are linked together can be found in “Familiarisation – Cooking zone data”.

You can reduce the maximum total permitted power consumption (see “Adjusting settings”).

Effects of power distribution

If a cooking zone gives power to another zone, this can have the following effects on the zone giving the power:

- The power level is reduced.
- Auto heat-up is deactivated. Cooking continues at the set level. If the power is not sufficient, the power level will be reduced again.
- The Booster function is deactivated.
- The cooking zone is switched off.

When the cooking zone stops transferring power to the other zone, the power level can be increased again.

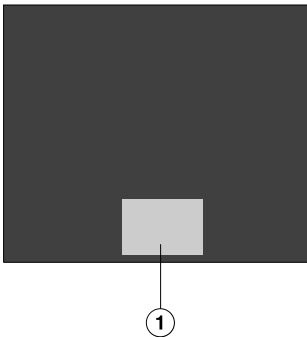
Tip: If you wish to cook a large quantity of food on one cooking zone, switch the other cooking zones to lower power levels.

Operating principles

Hob when switched off

Only the printed symbol for the On/Off ① sensor control is visible when the hob is switched off. More sensor controls light up when the hob is switched on.

Operation



① Sensor controls and indicators

This ceramic glass hob is equipped with sensor controls which react to finger contact.

Each time a sensor control is activated, an audible signal sounds.

For safety reasons, in order to switch the appliance on, the On/Off ① sensor control needs to be touched for a little longer than the other sensors.

Selecting a cooking zone

If you want to configure settings for a cooking zone, the cooking zone must be selected first.

To select a cooking zone, touch the relevant cooking zone indicator. The relevant cooking zone indicator will appear brighter when touched.

When the cooking zone indicator appears brighter, the cooking zone is selected and you can configure settings for the cooking zone.

Exception: if only one of the cooking zones is in operation, you can configure settings without selecting the cooking zone.

Familiarisation

Networking

Your hob is equipped with an integrated WiFi module. The hob can be connected to your home WiFi network or simply to your Miele cooker hood.

Miele@home

After installing the Miele app on a mobile device, you can do the following:

- Call up information on the operating status of your hob
- Call up information on the programme sequence of your hob
- Set up a Miele@home network with other WiFi-enabled Miele domestic appliances

Functions

Con@ctivity

The vapour extraction will switch itself on automatically if there is an item of cookware on the cooking zone and a power level has been set for that zone. The power level for vapour extraction is set to suit the power level of the cooking zone. The run-on time and level depend on the power level of the vapour extraction.

You can deactivate Con@ctivity temporarily or permanently.

Permanent pan recognition

When you place cookware on a cooking zone, the numerical display for the cooking zone is activated automatically.

Pan and pan size recognition

The cookware and its size are detected within a cooking zone. The release of energy is adapted to the size of the pan.

PowerFlex XL cooking area

A PowerFlex XL cooking area joins together 2 PowerFlex XL cooking zones, making it possible to use larger cookware.

The PowerFlex XL cooking zones combine automatically to form a PowerFlex XL cooking area when you place sufficiently large items of cookware on them (see "Familiarisation – Cooking zone data"). The PowerFlex XL cooking zones can also be combined manually.

Booster

When the Booster function is activated, the power is boosted so that large quantities can be heated up quickly, e.g. when boiling water for cooking pasta.

Stop&Go

When Stop&Go is activated, all power levels are reduced to 1.

When the function is deactivated, the appliance switches back to the power level that was set last.

Tip: Use this function if there is a danger of food boiling over.

Additional power levels

You can activate additional levels between the existing power levels.

These intermediate levels allow you to adjust the power more precisely for the cookware.

Auto heat-up

When auto heat-up has been activated, the cooking zone switches on automatically at the highest setting and then switches to the power level (continued cooking setting) which you have previously selected.

Timer

The timer can be used for the following two functions:

- For setting the minute minder
- For automatically switching a cooking zone off

You can use the functions simultaneously.

Minute minder

You can set an alarm for activities that are independent of the hob.

Auto switch off

You can set a time after which a cooking zone will switch off automatically. This function can be used for all cooking zones at the same time.

Familiarisation

System lock

If the system lock is activated, then the hob cannot be switched on.

Safety lock

The safety lock is activated when the hob is switched on. When the lock is activated, the hob can be operated only under certain conditions.

Recall

If the hob is switched off by mistake during use, this function can be used to reset all settings. For this to work, the hob must be switched on again within 10 seconds of being switched off.

Keeping warm

This function enables food to be kept warm after it has finished cooking.

The maximum duration for keeping food warm is 2 hours.

Wipe protection

The hob sensor controls can be locked for 20 seconds, e.g. to remove soiling. The ⓘ sensor control is not locked.

Vapour extraction

Air close to the cookware is drawn in and cleaned by a grease filter. Depending on the type of operation, the air is then conveyed out of the building or cleaned further by a charcoal filter and conveyed back into the room.

Programming

You can adapt the programming of the hob to your personal needs.

Demo mode

This function enables dealers to demonstrate the hob without it heating up.

Residual heat indicator

If the cooking zone is still hot, the residual heat indicator will light up after it has been switched off.

The bars of the residual heat indicator go out one after the other as the cooking zone cools down. The last bar only goes out when the cooking zone is safe to touch.

Safety switch-off

Sensor controls are covered

Your hob will turn off automatically if one or several of the sensor controls remain covered for longer than 10 seconds; for example, by finger contact, food boiling over or by an object such as an oven glove or tea towel. ζ will flash briefly in the timer display and a tone will sound.

ζ will go out once you have removed the object and/or cleaned the hob and the hob will be ready to use again.

Excessive operating time

The safety switch-off mechanism is triggered automatically if a cooking zone is heated for an unusually long period of time. This time depends on the power level selected. If it has been exceeded, the cooking zone switches off and the residual heat indicator appears. If you switch the cooking zone off and on again, it is ready for operation again.

You can adjust the safety switch-off by changing the safety setting (see “Adjusting settings”).

Power level*	Maximum operating time [h:min]		
	Safety setting		
	0**	1	2
1	10:00	8:00	5:00
1.	10:00	7:00	4:00
2/2.	5:00	4:00	3:00
3/3.	5:00	3:30	2:00
4/4.	4:00	2:00	1:30
5/5.	4:00	1:30	1:00
6/6.	4:00	1:00	0:30
7/7.	4:00	0:42	0:24
8	4:00	0:30	0:20
8.	4:00	0:30	0:18
9	1:00	0:24	0:10

* The power levels with a dot after the number are only available if the power level range has been extended (see “Setting ranges”).

** Factory default setting

Familiarisation

Overheating protection

In order to prevent the hob from being damaged by excessive temperatures, the overheating protection mechanism intervenes in one of the following ways:

Overheating protection measures

- If the Booster function is switched on, it will stop.
- The set power level will be reduced.
- A cooking zone will switch off. *Err* will flash alternately with *044* in the timer display.
- All cooking zones will switch off.

Triggering the overheating protection mechanism

The overheating protection may be activated under the following circumstances:

- The cookware being heated is empty.
- Fat or oil is being heated on a high power level.
- There is insufficient ventilation to the underside of the hob.
- A hot cooking zone is switched back on after an interruption to the power supply.

Unpacking the hob

- Please stick the data plate for the appliance, supplied with this documentation, in the space provided in the “Customer Service Department” section of this booklet.
- Remove any protective foil and stickers.

Cleaning the hob for the first time

- Before using for the first time, clean the hob with a damp cloth.
- Wipe the hob dry.

Switching on the hob for the first time

The metal components have a protective coating. When the hob is used for the first time, this causes a smell and possibly also vapour. The heating of the induction coils also causes odours in the first few hours of operation. With each subsequent use, the odour is reduced until it disappears completely.

The smell and any vapours given off do not indicate a faulty connection or appliance and they are not hazardous to health.

Using the vapour extraction for the first time

Only: KMDA 7876 FL-U

- Insert the charcoal filter (see “Cleaning and care – Replacing the charcoal filter”).

Commissioning

Miele@home

Installing the Miele app

The ability to use the Miele app depends on the availability of the Miele@home service in your country. For information about availability, please visit www.miele.com.

The Miele app is available free of charge from the Apple App Store® or from the Google Play Store™.



- Install the Miele app on your mobile device.

Setting up Miele@home

The WiFi connection shares a frequency range with other appliances (including microwave ovens and remote control toys). This can give rise to sporadic or even complete connection failures. Therefore, the availability of featured functions cannot be guaranteed.

The hob requires max. 2 W in networked standby.

There are a number of ways of connecting your hob to your WiFi network.

Connecting via the Miele app

- A home WiFi network is available.
- The signal of your WiFi network is sufficiently strong in the place where your hob is installed.
- There is no direct WiFi connection between the hob and a Miele cooker hood (Con@ctivity).
- The Miele app is installed on your mobile device.

- Start the Miele app.
- Switch the hob on.
- Touch any cooking zone indicator.
- Touch the 0 and 5 sensor controls at the same time for 6 seconds.

The seconds can be seen counting down in the timer display. After this time has elapsed, the code `£:01` is displayed in the timer display for 10 seconds.

You now have 10 minutes to configure the WiFi.

- Follow the user navigation in the app.

You can use all Miele@home functions.

Commissioning

Connecting via WPS

- A home WiFi network is available.
- The signal of your WiFi network is sufficiently strong in the place where your hob is installed.
- There is no direct WiFi connection between the hob and a Miele cooker hood (Con@ctivity).
- You must have a WPS (WiFi protected setup) compatible router.

- Touch any cooking zone indicator.
- Touch the 0 and 6 sensor controls at the same time for 6 seconds.

The seconds can be seen counting down in the timer display. After the time has elapsed, a progress light appears in the timer display during the connection attempt (for max. 120 seconds).

The WPS login is active during these 120 seconds.

- Activate the WPS function on your WiFi router.

If the connection was successful, the code `🔒:02` appears in the timer display. If the connection could not be established, the timer display will show the code `🔒:01`. You have probably not activated WPS on your router quickly enough. Repeat the steps above.

- Install the Miele app.
- Follow the user navigation in the app.

You can use all Miele@home functions.

Tip: If your WiFi router does not support WPS, please connect via the Miele app.

Canceling the process

- Touch any sensor control.

Resetting settings

Reset the settings if you are disposing of your hob, selling it or putting a used hob into operation. This is the only way to ensure that all personal data has been removed and the previous owner will no longer be able to access the hob.

Resetting is not required when replacing the router.

- Switch the hob on.
- Touch any cooking zone indicator.
- Touch the 0 and 9 sensor controls at the same time for 6 seconds.

The seconds can be seen counting down in the timer display.

After this time has elapsed, the code `∞:00` is displayed in the timer display for 10 seconds.

Operation

Safety notes for operation

 Risk of fire with overheated food.

Unattended food can overheat and catch alight.

Do not leave the hob unattended whilst it is being used.

 Risk of burning due to hot cooking zones.

The cooking zones will be hot after use.


Do not touch the cooking zones while the residual heat indicators are on.

 Risk of burning due to hot items.

When the hob is switched on either deliberately or by mistake, or when there is residual heat present, there is the risk of metal items placed on the hob heating up.

Do not use the hob as a resting place for anything.

After use, switch the hob off with the  sensor control.

 Placing hot cookware on the sensor controls and displays can damage the electronic module underneath.

The sensor controls do not respond.

They may be switched on or off unintentionally.

The hob will switch itself off (see “Familiarisation – Safety switch-off”).

Do not place hot cookware over the sensor controls or displays.

Switching the hob on

- Touch the ① sensor control.

Further sensor controls will light up.

If no further entry is made, the hob will switch itself off after a few seconds for safety reasons.

Switching off a cooking zone/ the hob

Switching the hob off

- To switch off the hob and all the cooking zones, touch the ① sensor control.

Switching off a cooking zone

- Touch and hold the relevant cooking zone indicator until the cooking zone switches off.

or

- Touch the relevant cooking zone indicator.

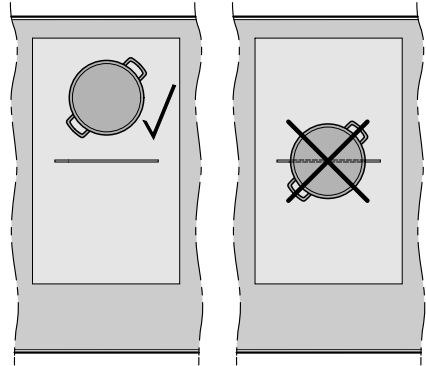
The cooking zone indicator appears brighter.

- Touch the 0 sensor control on the numerical display.

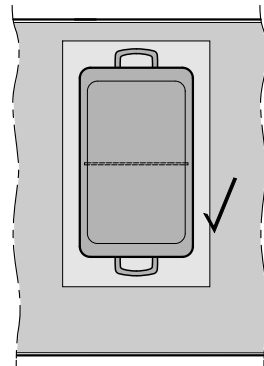
Positioning cookware

Refer to the cooking zone data for your hob model for information about cookware sizes and the corresponding positions (see “Familiarisation – Cooking zone data”).

- Position the cookware as shown below:



PowerFlex XL cooking zone



PowerFlex XL cooking area

Operation

Power level

Setting the power level

Permanent pan recognition is activated as standard (see “Adjusting settings”). When the hob is switched on and you place an item of cookware on a cooking zone, the cooking zone indicator starts to flash.

- Place the cookware on the cooking zone you want to use.
- Touch the appropriate sensor control for the power level you want on the numerical display.

Setting the power level – extended setting range

- Press the numerical display between the sensor controls.

A dot appears after the power level in the cooking zone selection.

The sensor controls to the left of the interim level light up brighter than the other sensor controls.

Example:

If you have set power level 7., the cooking zone selection will show 7..

The number 7 on the numerical display will light up brighter than the other sensor controls.


Changing the power level

- Touch the relevant cooking zone indicator.

The cooking zone indicator appears brighter.

- Touch the appropriate sensor control for the power level you want on the numerical display.

Manually connecting/disconnecting PowerFlex XL cooking zones

- To manually connect or disconnect the PowerFlex XL cooking zones, touch the  sensor control.

Booster

Activating the Booster

When the Booster function is activated, the settings for the linked cooking zone may be changed (see “Familiarisation – Power management”).

You can use the Booster:

- On any cooking zone on either side
or
- On both cooking zones on one side
or
- On a PowerFlex XL cooking area

The Booster function is active for a maximum of 15 minutes.

TwinBooster level 1

- Place the cookware on the cooking zone you want to use.
- Select a power level if necessary.
- Touch the **B** sensor control.

, will appear in the cooking zone indicator.

TwinBooster level 2

- Place the cookware on the cooking zone you want to use.
- Select a power level if necessary.
- Touch the **B** sensor control twice.

// will appear in the cooking zone indicator.

Deactivating the Booster

- Touch the **B** sensor control.

or

- Set another power level.

If you deactivate the Booster function or the Booster time comes to an end and

- no power level was selected before activating the Booster, the cooking zone will revert automatically to level 9.
- a power level was selected before activating the Booster, the cooking zone will revert automatically to the previously selected level.

Stop&Go

Activating Stop&Go

The cooking zone power levels and the timer settings cannot be altered; the hob can only be switched off. The minute minder, switch-off, Booster and heat-up times continue to run.

If the function is not deactivated within 1 hour, the hob will switch off.

- Touch the  sensor control.
- Touch the **II/▶** sensor control.

Deactivating Stop&Go

- Touch the **II/▶** sensor control.

Operation

Auto heat-up

The heat-up time depends on which continued cooking setting has been chosen:

Continued cooking setting*	Heat-up time [min:sec]
1	Approx. 0:15
1.	Approx. 0:15
2	Approx. 0:15
2.	Approx. 0:15
3	Approx. 0:25
3.	Approx. 0:25
4	Approx. 0:50
4.	Approx. 0:50
5	Approx. 2:00
5.	Approx. 5:50
6	Approx. 5:50
6.	Approx. 2:50
7	Approx. 2:50
7.	Approx. 2:50
8	Approx. 2:50
8.	Approx. 2:50
9	—

* The continued cooking settings with a dot after the number are only available if the power level range has been extended (see “Adjusting settings”).

Activating auto heat-up

- Briefly touch the indicator for the required cooking zone.
- Touch the sensor control for the continued cooking setting you want until a tone sounds and *H* lights up in the cooking zone indicator.

The *H* symbol flashes alternately with the power level selected in the cooking zone indicator during the heat-up time (see chart).

Deactivating auto heat-up

- Briefly touch the indicator for the required cooking zone.

- Touch the continued cooking setting you have set until the *H* switches off.

or

- Set another power level.

Timer

Setting timer durations

A duration of between 1 minute (0:01) and 9 hours 59 minutes (9:59) can be set.

Durations of up to 59 minutes are shown in minutes (00:59) and durations of more than 60 minutes are shown in hours and minutes.

Durations are entered using the numerical display and can be adjusted with the + sensor control.

- Enter durations in the order of hours, followed by minutes in tens and then units.

Example:

59 minutes = 00:59 hours,

Enter: 5-9

80 minutes = 1:20 hours,

Enter: 1-2-0

After the first number has been entered, the timer display will light up constantly. After the second number has been entered, the first number will move to the left. After the third number has been entered, the first and second numbers will move to the left.

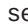
Setting the minute minder

- Touch the  sensor control.

- Touch the  sensor control.

The timer display flashes.

- Set the required duration (see “Timer – Setting timer durations”).


Touch the  sensor control or wait 10 seconds to start the minute minder.

Changing the minute minder duration

- Touch the  sensor control.

The timer display flashes.

- Set the required duration (see “Timer – Setting timer durations”).

Touch the  sensor control or wait 10 seconds to start the minute minder.

Deleting the minute minder duration

- Touch the  sensor control.

- Touch  on the numerical display.

Operation

Setting the switch-off time

A cooking zone will switch off when the maximum operating time has elapsed, independently of a set switch-off time (see “Familiarisation – Safety switch-off”).

A power level is set for the desired cooking zone.

- Touch the ⌚ sensor control next to the relevant cooking zone indicator.

The timer display flashes.

- Set the required duration (see “Timer – Setting timer durations”).

Touch the ⌚ sensor control or wait 10 seconds to start the switch-off time.

The switch-off time for the cooking zone will count down and the ⌚ sensor control will light up constantly.

Changing the switch-off time

- Touch the required cooking zone indicator.
- Touch the ⌚ sensor control next to the relevant cooking zone indicator.

The timer display flashes.

- Set the required duration (see “Timer – Setting timer durations”).

Touch the ⌚ sensor control or wait 10 seconds to start the switch-off time.

The switch-off time for the cooking zone will count down and the ⌚ sensor control will light up constantly.

Deleting the switch-off time

- Touch the required cooking zone indicator.
- Touch the ⌚ sensor control of the required cooking zone until the $\bar{0}:00$ symbol appears in the timer display.

or

- Touch the ⌚ sensor control next to the relevant cooking zone indicator.

The timer display flashes.

- Touch the $\bar{0}$ sensor control on the numerical display.

Setting multiple switch-off times

- To set a switch-off time for another cooking zone, follow the steps described in “Operation – Setting the switch-off time”.

If multiple switch-off times are programmed, the timer display for the most recently selected cooking zone is displayed. The ⌚ sensor control next to the relevant cooking zone indicator lights up brighter.


Displaying switch-off times

- If you want to show the time left for another cooking zone which is counting down in the background, touch the ⌚ sensor control for the desired cooking zone.

The **rounded up** time left is displayed for the required cooking zone.

Using both timer functions at the same time

If you use both functions at the same time, the time of the last selected function is always displayed.

- Touch the  sensor control or the relevant cooking zone indicator if you want to show the times left counting down in the background.

Operation

System lock

Activating the system lock

All sensor controls are locked. A set minute minder time will continue to count down.

- Touch the ① sensor control for 6 seconds.

The seconds can be seen counting down in the timer display. When this time has elapsed, *LDC* will appear in the timer display. The system lock is activated.

If a disallowed sensor control is touched whilst the system lock is activated, *LDC* will appear in the timer display for a few seconds and a buzzer will sound.

The system lock can be programmed to be activated automatically 5 minutes after the hob has been switched off (see “Adjusting settings”).

Deactivating the system lock

- Touch the ① sensor control for 6 seconds.

LDC will appear briefly in the timer display and then the seconds will count down. The system lock is deactivated once the time has elapsed.

Safety lock

Activating the safety lock

When the safety lock is activated:

- The cooking zones, the hob and the vapour extraction can only be switched off
- A set minute minder time can be modified
- The □ sensor control can be activated

- Touch the □ sensor control.

- Touch and hold the II/▶ and △ sensor controls at the same time for 6 seconds.

The seconds can be seen counting down in the timer display. When this time has elapsed, *LDC* will appear in the timer display. The safety lock is activated.

If a disallowed sensor control is touched while the safety lock is activated, *LDC* will appear in the timer display for a few seconds and a buzzer will sound.

Deactivating the safety lock

- Touch and hold the II/▶ and △ sensor controls at the same time for 6 seconds.

LDC will appear briefly in the timer display and then the seconds will count down. Once the time has elapsed, the safety lock function is deactivated.

Activating the Recall function


- Switch the hob on again.
- Immediately after switching the hob on, touch one of the flashing cooking zone indicators.

Activating/deactivating the Keeping warm function

The Keeping warm function cannot be used to reheat food that has gone cold.

- Touch the cooking zone indicator for the required cooking zone.

The cooking zone indicator appears brighter.



- Touch the  sensor control.

Tips for keeping food warm

- Only use cookware (pots/pans) for keeping food warm. Cover the cookware with a lid.
- Stir firm or viscous food (mashed potatoes, stew) occasionally.
- Nutrients are lost when food is cooked, and continue to diminish when food is kept warm. The longer food is kept warm, the greater the loss of nutrients. Try to ensure that food is kept warm for as short a time as possible.


Wipe protection

Activating wipe protection

- Touch the  sensor control.
- Touch the  sensor control.

The time counts down in the timer display.

Deactivating wipe protection

- Touch the  sensor control until the timer display goes out.

Operation

Vapour extraction

Setting the power level

Power levels 1 to 3 and a Booster level are set as standard. The power levels can be extended to 1 to 9 and a Booster level (see “Adjusting settings”).

If the vapour extraction is not switched off manually, it will switch itself off automatically 12 hours after last being used.

If the cooker hood starts at power level 1, the power is automatically increased to level 2 for 20 seconds.

The increase in power is necessary in order to ensure that the flap opens in extraction mode. If you are using the cooker hood in recirculation mode, you can deactivate this automatic function (see “Adjusting settings”).

- Touch the vapour extraction display.
- Touch the appropriate sensor control for the power level you want.

Switching off the vapour extraction

- Touch the vapour extraction display.
- Touch the **O** sensor control.

Activating the Booster

The Booster function is active for a maximum of 10 minutes.

- Touch the vapour extraction display.
- Touch the **B** sensor control.

Deactivating the Booster

- Touch the vapour extraction display.
- Set another power level.

Deactivating Con@ctivity temporarily



If you want to deactivate Con@ctivity permanently, you will need to change the Con@ctivity programming (see “Adjusting settings”). If Con@ctivity is permanently deactivated, the \mathcal{L}^A sensor control will no longer be visible.

- You can deactivate Con@ctivity in various ways:
 - Touch the \mathcal{L}^A sensor control
 - Touch the **O** sensor control
 - Select a different power level
- Set the power level you want.



Depending on the programming, Con@ctivity will be reactivated when you switch the hob off and back on again (see “Adjusting settings”).

Activating run-on


The run-on helps to remove any lingering vapours and odours from the air in the kitchen. There are two run-on times available:




-  (5 minutes)
-  (15 minutes)

The run-on duration will be carried out using the power level set during activation. You can change the power level during the run-on period.

- Touch the  or  sensor control to activate the run-on period.

Deactivating run-on

If you switch the hob off with the  sensor control, the run-on period will continue through to the end.

- Touch the ,  or  sensor control to deactivate the run-on period.

Operation

Hob data

Displaying the model identifier/serial number

There is cookware on the hob.

- Switch the hob on.
- Press the 0 and 4 sensor controls on the numerical display at the same time for 6 seconds.

Numbers will appear in the timer display one after another, separated by a dash.

Example: *12 34* (model identifier KMDA 1234) – *1 23 45 67 89* (serial number)

Displaying the software version

There is cookware on the hob.

- Switch the hob on.
- Press the 0 and 3 sensor controls on the numerical display at the same time for 6 seconds.

3 numbers appear in the timer display:

Example: *123* = software version 1.23.

Activating/deactivating demo mode

There is cookware on the hob.

- Switch the hob on.
- Press the 0 and 2 sensor controls on the numerical display at the same time for 6 seconds.

The following will flash in the timer display for a few seconds:

- *dE* alternating with *On* (demo mode activated)
or
- *dE* alternating with *OFF* (demo mode deactivated)

Setting ranges

The hob is programmed with 9 power levels at the factory. If you wish to fine-tune a setting, you can extend the power level range to 17 power levels (see “Adjusting settings”).

	Setting range	
	Factory setting (9 power levels)	Extended setting (17 power levels)
Melting butter Melting chocolate Dissolving gelatine	1–2	1–2.
Warming up small quantities of liquid Keeping warm food which sticks easily Cooking rice or porridge Defrosting vegetables frozen in a block	2–4	2–3.
Warming up liquid and semi-solid food Steaming fruit Simmering potatoes (cookware with lids)	4–6	3.–5.
Making omelettes or lightly fried eggs Gently frying meat patties Steaming fish and vegetables Cooking dumplings and dried pulses Defrosting and reheating frozen food Thickening sauces, e.g. Hollandaise Pancakes	5–7	4.–7.
Gently frying (without overheating the fat) fish, escalopes, sausage, fried eggs, etc.	6–8	6–7.
Cooking hash browns, pancakes, etc.	7–8	7–8.
Frying, e.g. chips	9	8.–9
Boiling large quantities of water Bringing to the boil Searing large quantities of meat	9–Booster	8.–Booster

These settings should only be taken as a guide. The power of the induction coils will vary depending on the size and material of the cookware. For this reason, the power levels may need to be adjusted slightly to suit your cookware. As you use the hob, you will get to know which settings suit your cookware best. When using new cookware that you are not familiar with, set the power to one level below the one specified.

Good to know

Hob

How induction hobs work

An induction coil is located under each induction cooking zone. The coil creates a magnetic field that reacts directly with the base of the pan and heats it up. The cooking zone itself is heated up indirectly by the heat given off by the pan.

An induction cooking zone only works when a piece of cookware with a magnetic base is placed on it (see “Good to know – Cookware”). The hob automatically recognises the size of the cookware.

Noises

When using induction cooking zones, the following noises can occur in the cookware, depending on what it is made of and how it has been constructed:

Buzzing on the higher power levels. This will decrease or cease altogether when the power level is reduced.

If the cookware base is made of layers of different materials (e.g. in a sandwiched base), it might emit a crackling sound.

Whistling might occur if linked cooking zones (see “Operation – Booster”) are being used at the same time, and the cookware items also have bases made of layers of different materials (e.g. sandwiched base).

You might hear a clicking sound from the electronic switches, especially at lower power levels.

A whirring sound, when the cooling fan comes on. This switches on to protect the electronic module when the hob is being used intensively. The cooling fan may continue to run after the hob has been switched off.

Pans

Suitable cookware

- Stainless steel cookware with a magnetic base
- Enamelled steel cookware
- Cast iron

Please be aware that the properties of the cookware base can affect the evenness with which the food heats up (e.g. when making pancakes). The base of the pan must be able to distribute the heat evenly. Cookware with a base made from multilayer material (sandwich or encapsulated base) is ideal in this case.

Unsuitable pans.

- stainless steel pans without a magnetic base
- aluminium or copper pans
- glass, ceramic or earthenware pots and pans

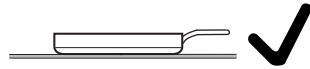
Testing pans

To test whether a pan is induction-compatible, hold a magnet to the base of the pan. If the magnet sticks, the pan is generally suitable.

Good to know

Cookware tips

- Position the cookware as centrally as possible on the relevant cooking zone/cooking area.
 - To make optimum use of the cooking zones, choose cookware with a suitable base diameter (see “Familiarisation – Cooking zone data”). If a pan is too small, it will not be recognised.
 - Use only pots and pans with smooth bases. Rough bases can scratch the ceramic glass.
 - Always lift cookware to move it. This will help prevent scratching. If any scratches do appear as a result of cookware being pushed around, this will not affect the function of the hob. These scratches are normal signs of use and are not grounds for making a complaint.
- Please note that the cookware diameter quoted by manufacturers often refers to the maximum diameter or diameter of the top rim. The diameter of the base (generally smaller) is more important.



- Where possible, use cookware with vertically straight sides. If an item of cookware has angular sides, induction also acts on the sides of the item of cookware. The sides of the item of cookware may discolour or the coating may peel off.

Vapour extraction

How the vapour extraction works

What happens to the air after extraction varies depending on the type of operation selected:

Air guidance	Grease filter	Duct	Charcoal filter	Out of the building	Back into the kitchen
Extraction mode	x	x	-	x	-
Guided recirculation mode	x	x	x	-	x
Plug&Play mode	x	-	x	-	x

Extraction mode

The air drawn in is cleaned by the grease filter and directed outside through a ventilation gap. The necessary accessories are available from Miele.

Guided recirculation mode

The air is drawn in and cleaned first by the grease filter and then by a charcoal filter. It is then directed into the recirculation box via a duct. The recirculation box feeds the air back into the kitchen. The necessary accessories are available from Miele.

Plug&Play mode



The air is drawn in and cleaned first by the grease filter and then by a charcoal filter. The air is then routed through the base unit via a cut-out in the plinth and back into the kitchen.

A summary of the operating options and the KMDA variants that offer them can be found in "Installation – Operating options".

Good to know

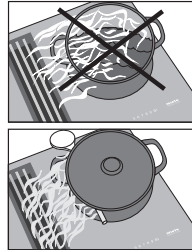
Operating hours counter

The number of hours that the vapour extraction has been used for is stored in memory.

When the grease filter symbol  or the charcoal filter symbol  (KMDA 7876 FL-U only) lights up, the operating hours counters are signalling that the filters need to be cleaned or replaced. Further information about cleaning and changing the filters and resetting the operating hours counters can be found under “Cleaning and care”.

Air extraction tips

Tip: For light to heavy cooking vapours and odours, select from power levels **1** to **3** (9 with the extended power levels). For short periods of very strong vapours and odours, e.g. whilst searing meat, select the **B** Booster setting.



Tip: To help extract air effectively with pans over 15 cm high, place a wooden spoon between the lid and the pan.

Accessing programming mode

The hob is switched off.

- Touch and hold the ⓪ and Ⓜ sensor controls until the + sensor control lights up and PC appears in the timer display.

After a few seconds P:01 (Programme 01) will flash alternately with C:01 (Code) in the timer display.

Setting the programme

For a two-digit programme number you need to first set the tens position.

- While the programme is visible in the display (e.g. P:01), press the + sensor control repeatedly until the number for the programme you want appears in the display or touch the appropriate number on the numerical display.

Setting the code

- While the code is visible in the display (e.g. C:01), press the + sensor control repeatedly until the number for the code you want appears in the display or touch the appropriate number on the numerical display.

Saving the settings

- Whilst the programme is visible in the display (e.g. P:01), touch the ⓪ sensor control until the displays go out.

To avoid saving the settings

- While the code is showing in the display (e.g. C:01) touch the ⓪ sensor until the indicators go out.

Adjusting settings

Programme ¹		Code ²	Settings
P:01	Demo mode	C:00	Demo mode off
		C:01	Demo mode on ³
P:02	Power management ⁴	C:00	Off
		C:01	3680 W
		C:02	3000 W
		C:03	2000 W
		C:04	1000 W
P:03	Factory default settings	C:00	Do not restore factory default settings
		C:01	Restore factory default settings ⁵
P:04	Power level setting range	C:00	9 power levels + Booster
		C:01	17 power levels + Booster ⁶
P:06	Audible tone when a sensor control is touched	C:00	Off ⁷
		C:01	Quiet
		C:02	Medium
		C:03	Loud
P:07	Timer buzzer	C:00	Of
		C:01	Quiet
		C:02	Medium
		C:03	Loud
		C:04	Maximum volume

Adjusting settings

Programme ¹		Code ²	Settings
P:08	System lock	C:00	System lock can only be activated manually
		C:01	System lock activated automatically
P:09	Maximum operating time	C:00	Safety setting 0
		C:01	Safety setting 1
		C:02	Safety setting 2
P:10	WiFi registration	C:00	Not active/deactivated
		C:01	Active but not configured
		C:02	Active and configured (cannot be selected; displays whether connection was successful)
		C:03	Connection possible via WPS push button
		C:04	WiFi reset to default (C:00)
		C:05	Direct WiFi connection of hob and external cooker hood without Miele app (Con@ctivity)
P:12	Sensor controls reaction speed	C:00	Slow
		C:01	Normal
		C:02	Fast
P:15	Permanent pan recognition	C:00	Permanent pan recognition off
		C:01	Permanent pan recognition on
P:16	Con@ctivity of built-in vapour extraction	C:00	Con@ctivity off ⁸
		C:01	Con@ctivity on

Adjusting settings

Programme ¹		Code ²	Settings
P:17	Vapour extraction operating mode	C:00 ⁹	Recirculation mode
		C:01 ⁹	Extraction mode
P:18	Start settings of Con@ctivity ¹⁰	C:00	Always start with Con@ctivity deactivated
		C:01	Always start with Con@ctivity activated
		C:02	Start with the most recently set Con@ctivity state
P:19	Number of vapour extraction power levels	C:00	3 power levels + Booster
		C:01	9 power levels + Booster

¹ Programmes not shown here have no allocation.

² The factory default setting is shown in bold.

³ After the hob has been switched on, *dE* appears in the timer display for a few seconds.

⁴ The total output of the hob may be reduced in order to meet the local network provider's requirements.

⁵ The settings for the P:17 operating mode of the vapour extraction will not be reset to the factory default settings.

⁶ In the text and tables, the extended power levels are shown with a dot after the number.

⁷ The confirmation tone of the On/Off sensor control cannot be switched off.

⁸ Plug&Play mode: Con@ctivity is required for correct operation.

⁹ Factory-set code:

KMDA 7876 FL-U: C:00

KMDA 7876 FL-A: C:01

¹⁰ The settings only take effect if Con@ctivity has been activated in the P:16 programme.

Safety notes on cleaning and care

 Risk of burns due to hot surfaces.

All parts of the hob may be hot after use.

Switch the hob off.

Allow the hob to cool down before cleaning it.

All surfaces could be discoloured or damaged if unsuitable cleaning agents are used or if residues from suitable cleaning agents are heated on the hob. All surfaces are susceptible to scratching.

Allow the surfaces to cool down before cleaning the hob.

Remove all cleaning agent residues immediately.

Never use abrasive sponges or cleaning agents.

 Risk of fire due to soiled grease filter.

Grease collected in the grease filter can ignite.

Clean the grease filter regularly.

 Risk of injury due to the fan motor.

The fan motor rotates while the vapour extraction is active.

Switch the hob off.

Wait until the run-on cycle is finished, if applicable.

▶ Do not use a steam cleaner to clean the hob.

▶ Do not use pointed objects for cleaning.

Cosmetic products, especially sunscreen, and hand disinfectants can leave stains on matt glass surfaces.

If cosmetic products come into contact with a matt glass surface, remove the residue immediately with hot water, washing-up liquid and a clean microfibre cloth.

Cleaning and care

When to clean

- Clean the hob after every use.

Cleaning the ceramic glass surfaces

Removing light soiling

- Clean the entire ceramic surface of the hob with a damp, soft cloth and a solution of water and a little washing-up liquid. Please follow the cleaning agent manufacturer's instructions.

Removing stubborn soiling

- Remove any coarse soiling with a damp cloth and more stubborn soiling with a scraper suitable for use on glass.
- Clean the ceramic glass surface with the Miele ceramic and stainless steel cleaner (see "Optional accessories – Cleaning and care products"), with a proprietary ceramic glass cleaner or scouring liquid. Please follow the cleaning agent manufacturer's instructions.

Finishing the cleaning process

- Remove all cleaning agent residues with a damp cleaning cloth.
- Dry the ceramic surface of the hob after cleaning.

Dishwasher-safe components

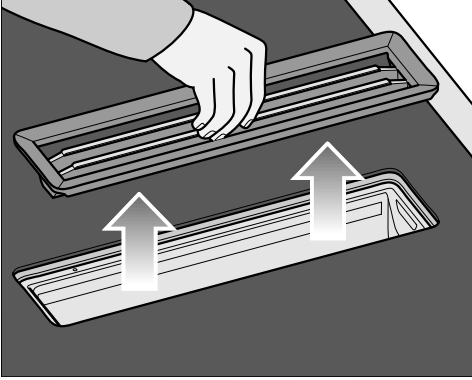
You can clean the removable components of your hob as follows:

	Dish-washer	By hand
Cover grille	X	X
Grease filter	X	X
Drip tray	X	X
Cleaning flap	X	X

Cover grille

Removing the cover grille

The cover grille could be damaged. Pull the cover grille vertically out of the top of the KMDA.



- Take hold of the cover grille in the centre of the bars.
- Pull the cover grille vertically upwards.

Cleaning the cover grille by hand

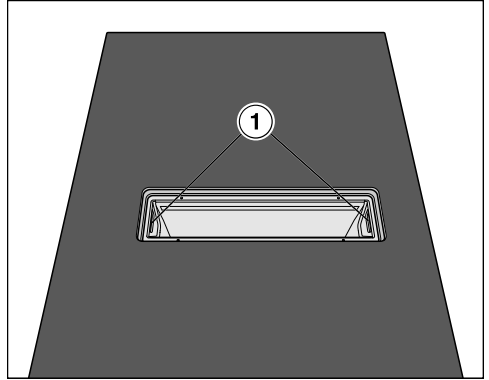
- Clean the cover grille with a soft nylon brush in a mild solution of hot water and a little washing-up liquid. Do not use concentrated washing-up liquid.

Cleaning the cover grille in the dishwasher

- Place the cover grille upright in the lower basket.
- Use a standard household dishwasher detergent.
- Select a dishwasher programme with a maximum wash temperature of 55 °C.

Grease filter

Removing the grease filter



- Remove the cover grille (see “Cleaning and care – Removing the cover grille”).
- Carefully remove the grease filter using the recessed grips (1). Ensure that you do not tilt the grease filter.
- Pour out any liquid which has collected at the bottom of the grease filter.

Cleaning the grease filter by hand

- Clean the grease filter with a soft nylon brush in a mild solution of hot water and a little washing-up liquid. Do not use concentrated washing-up liquid.

Cleaning and care

Cleaning the grease filter in the dishwasher

Depending on the detergent used, cleaning the grease filter in a dishwasher can cause permanent discolouration to the internal surfaces of the filter. However, this will not affect the functioning of the grease filter in any way.

- Place the grease filter with its base facing upwards in the lower basket. Ensure the spray arm is not obstructed.
- Use a standard household dishwasher detergent.
- Select a dishwasher programme with a maximum wash temperature of 65 °C.

Fitting the grease filter



The grease filter has a symbol on the front.

- Insert the grease filter so that the symbol is pointing towards the front of the worktop.

Resetting the grease filter operating hours counter


After cleaning the grease filter, the operating hours counter needs to be reset.

- Touch the  sensor for 3 seconds.

The sensor will go out.

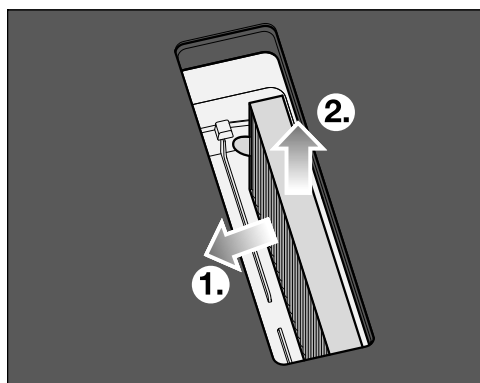
Charcoal filter (only KMDA 7876 FL-U)

Replacing the charcoal filter (only KMDA 7876 FL-U)

The charcoal filter must be replaced after 120 operating hours. The  sensor control will light up.

The charcoal filters listed here are suitable for the KMDA variants covered by these operating instructions:


- DKF 35-P
- DKF 35-S
- Remove the cover grille (see “Cleaning and care – Removing the cover grille”).
- Remove the grease filter (see “Cleaning and care – Removing the grease filter”).




- Remove the charcoal filter.

Resetting the charcoal filter operating hours counter (only KMDA 7876 FL-U)

The operating and installation instructions supplied with the recirculation box state that the operating hours counter for the charcoal filter needs to be activated. This is not necessary here.

The charcoal filter symbol  also appears when the vapour extraction is operated using extraction mode.

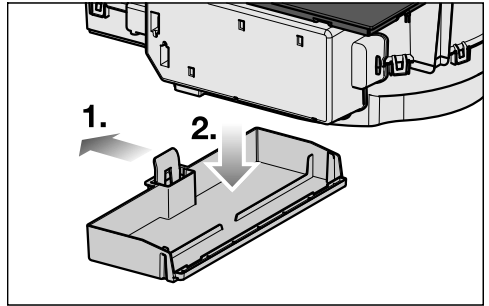
- Touch the  sensor control for 3 seconds.

The sensor control will go out.

Cleaning the vapour extraction drip tray

Clean the drip tray if liquid from food being spilled or boiling over has got into the vapour extraction unit.

- Remove and clean the grease filter as described in “Cleaning and care – Grease filter”.



- Push the plastic bracket to the left ① until the drip tray can be pulled downwards ②.
- Pour out the liquid.
- Clean and dry the drip tray.
- Also clean and dry accessible areas inside of the vapour extraction unit.
- Fasten the drip tray back onto the casing.
- Replace the grease filter and refit the cover grille.

Cleaning inside the vapour extraction casing

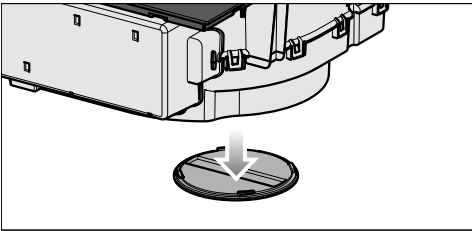
- Remove the grease filter (see “Cleaning and care – Removing the grease filter”).
- Clean off any accessible oil or fat build-up from the casing.

Cleaning and care

Cleaning the inside of the fan unit

Clean the inside of the fan unit if liquid from food being spilled or boiling over has got into the vapour extraction unit.

- Clean the vapour extraction drip tray (see “Cleaning and care – Cleaning the vapour extraction drip tray”).
- Place a container under the cleaning flap to catch the liquid.



- Turn the cleaning flap to the left.
- Let the liquid run out.
- Turn the cleaning flap to the right as far as it will go.

Unsuitable cleaning agents

To avoid damaging the surfaces of the appliance, do not use:

- Cleaning agents containing soda, alkalines, ammonia, acids or chlorides
- Stain and rust removers
- Powder cleaners and cream cleaners
- Cleaning agents containing solvents
- Dishwasher cleaning agents
- Grill and oven sprays
- Hard, abrasive brushes
- Eraser stain remover blocks

Messages in the display

Problem	Cause and remedy
<p><i>Err</i> will flash alternately with 30 in the timer display and a tone will sound.</p>	<p>The hob is incorrectly connected.</p> <ul style="list-style-type: none"> ■ Disconnect the hob from the mains electricity supply. ■ Contact the Customer Service Department. The hob must be connected to the mains according to the wiring diagram.
<p>The \cup symbol lights up or flashes alternately with the set power level or <i>R</i> in one of the cooking zone indicators.</p>	<p>No cookware is present on the cooking zone. Unsuitable cookware is present on the cooking zone. The diameter of the base of the cookware is too small Suitable cookware has been removed from the cooking zone.</p> <p>If no cookware or unsuitable cookware is placed on the cooking zone, the cooking zone will switch off automatically after 3 minutes.</p> <ul style="list-style-type: none"> ■ Place a suitable item of cookware on the cooking zone within 3 minutes. <p>\cup will go out. The cooking process starts/continues with the previously selected settings.</p> <ul style="list-style-type: none"> ■ If you are using a different item of cookware and/or food, modify the settings.
<p>After the hob has been switched on, or after touching a sensor control, <i>LDC</i> appears in the timer display for a few seconds.</p>	<p>The system lock is activated.</p> <ul style="list-style-type: none"> ■ Deactivate the system lock (see “Operation – Deactivating the system lock”).
	<p>The safety lock is activated.</p> <ul style="list-style-type: none"> ■ Deactivate the safety lock (see “Operation – Deactivating the safety lock”).
<p>After the hob has been switched on, <i>dE</i> appears briefly in the timer display. The cooking zones do not heat up.</p>	<p>The hob is in demo mode.</p> <p>There is cookware on the hob.</p> <ul style="list-style-type: none"> ■ Switch the hob on. ■ Then touch the \cup and \cup sensor controls at the same time until <i>dE</i> flashes alternately with <i>OFF</i> in the timer display.
<p>The hob has switched off automatically. When the hob is switched back on, \cup appears above the On/Off sensor control ①.</p>	<p>One or more of the sensor controls are covered, e.g. by finger contact, food boiling over or an object.</p> <ul style="list-style-type: none"> ■ Clean off any soiling and/or remove the object (see “Familiarisation – Safety switch-off”).

Troubleshooting

Problem	Cause and remedy
A message not listed in this table is appearing in the timer display.	There is an electronic module fault. <ul style="list-style-type: none"><li data-bbox="398 236 1044 295">■ Disconnect the power supply to the hob for approx. 1 minute.<li data-bbox="398 300 1044 384">■ If the problem persists after the power supply has been restored, please contact the Customer Service Department.

Unexpected behaviour

Problem	Cause and remedy
<p>Power level 9 is automatically reduced if you also set power level 9 for the connected cooking zone.</p>	<p>Operating both zones at power level 9 exceeds the permitted maximum power for the two zones.</p> <ul style="list-style-type: none"> ■ Use a different cooking zone.
<p>A cooking zone switches off automatically.</p>	<p>It has been operated for too long.</p> <ul style="list-style-type: none"> ■ Switch the cooking zone back on (see “Familiarisation – Safety switch-off”).
<p>The cooking zone is not working in the usual way with the set power level.</p>	<p>The overheating protection mechanism has been activated.</p> <ul style="list-style-type: none"> ■ Allow the hob to cool down. ■ Rectify the causes of the overheating (see “Familiarisation – Overheating protection”). ■ Check that the hob is working. ■ If the problem occurs again, contact the Customer Service Department.
<p>A cooking zone or the whole hob switches off automatically.</p>	<p>The overheating protection mechanism has been activated.</p> <ul style="list-style-type: none"> ■ Allow the hob to cool down. ■ Rectify the causes of the overheating (see “Familiarisation – Overheating protection”). ■ Check that the hob is working. ■ If the problem occurs again, contact the Customer Service Department.
<p>The Booster level has deactivated early automatically.</p>	<p>The overheating protection mechanism has been activated.</p> <ul style="list-style-type: none"> ■ Allow the hob to cool down. ■ Rectify the causes of the overheating (see “Familiarisation – Overheating protection”). ■ Check that the hob is working. ■ If the problem occurs again, contact the Customer Service Department.




Troubleshooting

Unsatisfactory results

Problem	Cause and remedy
The food in the pan does not heat up when the Auto heat-up function is switched on.	A large amount of food is being heated up. <ul style="list-style-type: none"> ■ Start cooking at the highest power level and then turn down to a lower one manually later on.
	The pan is not conducting heat properly. <ul style="list-style-type: none"> ■ Use a different pot or pan which conducts heat properly.

General problems or technical faults

Problem	Cause and remedy
The hob or cooking zones will not switch on.	There is no power to the hob. <ul style="list-style-type: none"> ■ Check whether the circuit breaker has tripped. Contact a qualified electrician or the Miele Customer Service Department (for the minimum fuse rating, see data plate).
	There may be a technical fault. <ul style="list-style-type: none"> ■ Disconnect the hob from the electricity supply for approx. 1 minute. To do this: <ul style="list-style-type: none"> – tripping the relevant mains fuse or screwing the fine-wire fuse out completely, or – switching off at the residual current device. ■ If the hob will still not turn on after resetting the trip switch in the fuse box or the residual current device, contact a qualified electrician or the Miele Customer Service Department.
A smell and vapours are given off when the new appliance is being used.	The metal components have a protective coating. When the appliance is used for the first time, this causes a smell and possibly also vapour. The material from which the induction coils are made also gives off a smell in the first few hours of operation. With each subsequent use, the odour is reduced until it disappears completely. The smell and any vapours given off do not indicate a faulty connection or appliance and they are not hazardous to health.
An operating noise can be heard after the appliance has been switched off.	The cooling fan runs until the hob has cooled down and then switches off automatically.

Problem	Cause and remedy
<p>Liquid has got into the vapour extraction.</p>	<p>Due to boiling over or spillage, liquid has made its way through the cover grille into the vapour extraction.</p> <p>The base of the grease filter and the drip tray can hold approx. 800 ml of liquid in total.</p> <ul style="list-style-type: none"> ■ Switch the vapour extraction off. ■ Clean the grease filter, the drip tray, the inside of the casing and the fan motor compartment (see “Cleaning and care”). ■ KMDA 7876 FL-U only: replace the charcoal filter (see “Cleaning and care – Replacing the charcoal filter”).
<p>Extraction power has decreased. Extraction noise has increased.</p>	<p>Objects (e.g. a cloth) have been drawn into the vapour extraction.</p> <ul style="list-style-type: none"> ■ Switch the vapour extraction off. ■ Remove the grease filter (see “Cleaning and care – Removing the grease filter”). ■ Remove any objects from the grease filter.
<p>The  sensor control is lit up.</p>	<p>The charcoal filter must be replaced.</p> <ul style="list-style-type: none"> ■ Replace the charcoal filter (see “Cleaning and care – Replacing the charcoal filter”). ■ Reset the operating hours counter (see “Cleaning and care – Resetting the charcoal filter operating hours counter”).
<p>The  sensor control is lit up.</p>	<p>The grease filter must be cleaned.</p> <ul style="list-style-type: none"> ■ Clean the grease filter as described in “Cleaning and care – Grease filter”.
<p>The  sensor control does not light up.</p>	<p>The Con@ctivity function of the integrated vapour extraction is permanently deactivated.</p> <ul style="list-style-type: none"> ■ Activate the Con@ctivity function of the integrated vapour extraction in the programming (see “Adjusting settings”).

After sales service

Information to help you rectify faults yourself and about Miele spare parts can be found at www.miele.com/service.

Contact in the event of a fault

In the event of a fault which you cannot remedy yourself, please contact your Miele dealer or Miele Customer Service.

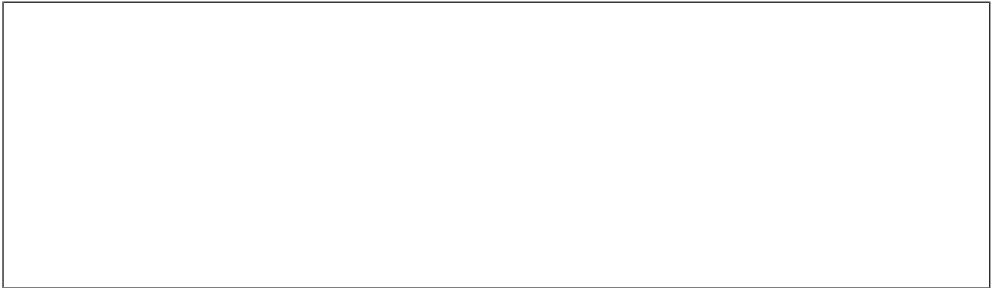
You can book a Miele Customer Service call-out online at www.miele.com/service.

Contact information for Miele Customer Service can be found at the end of this document.

Please quote the model identifier and serial number of your appliance (SN) when contacting Miele Customer Service. These can be found on the data plate or see “Operation – Hob data”.

Data plate

Stick the extra data plate supplied with the appliance here. Make sure that the model number matches the one specified on the back cover of this document.



Warranty

For information on the appliance warranty specific to your country please contact Miele. See back cover for address.

In the UK, your appliance warranty is valid for 2 years from the date of purchase. However, you must activate your cover by calling 0330 160 6640 or registering online at www.miele.co.uk.

Note for test institutes

Test food acc. to EN 60350-2

9 power levels are programmed at the factory.

For testing in accordance with the above standard, programme the hob to the extended power level setting (see “Adjusting settings”).

Test food	Ø Pan base (mm)	Lid	Power level	
			Pre-heat	Cook
Heating oil up	150	No	–	1–2
Pancakes	180 (Sandwich base)	No	9	5.–7.
Frying deep frozen chips	According to the standard	No	9	9

Optional accessories

Cookware

Miele offers a wide range of cookware. These have all been optimised for Miele appliances in terms of functionality and dimensions. Detailed information is provided on the Miele website.

Charcoal filter

Only the Miele charcoal filters listed here are suitable for the KMDA variants covered by these operating instructions:

- DKF 35-P
- DKF 35-S

Further accessories for vapour extraction

Further accessories, e.g. for air guidance, can be ordered from the Miele online shop. Detailed information is provided on the Miele website.

Cleaning and care products


Ceramic and stainless steel hob cleaner 250 ml


Removes heavy soiling, limescale deposits and aluminium residues.


Microfibre cloth

For removing finger marks and light soiling.

Safety notes for installation

 Risk of damage from incorrect installation.
Incorrect installation can cause damage to the hob.
The hob must only be installed by a qualified specialist.

 Risk of electric shock from mains voltage.
Incorrect connection to the mains supply may result in an electric shock.
The hob must be connected to the electrical supply by a qualified electrician only.

 Damage from falling objects.
Take care not to damage the hob when fitting wall units or a cooker hood above it.
Fit the wall units and the cooker hood before the hob.

Dismantling the hob for service purposes may damage the sealing strip underneath the edge of the hob.
Always replace the sealing strip before reinstalling.

- ▶ The hob must not be installed over a fridge, fridge-freezer, freezer, dishwasher, washing machine, washer-dryer or tumble dryer.
- ▶ This hob may only be installed above a cooker or oven if they have a built-in cooling fan.
- ▶ A gas hob must not be installed next to this hob.
- ▶ After installation, ensure that nothing can come into contact with the connection cable and that it is without hindrance.
- ▶ The electrical cable may not come into contact with any moving kitchen component (e.g. a drawer) or be subject to mechanical obstruction which could damage it.

Installation

- ▶ The veneer or laminate coatings of worktops (or adjacent kitchen units) must be treated with 100 °C heat-resistant adhesive which will not dissolve or distort. Any backmoulds must be of heat-resistant material.
- ▶ The crossbeams in front of the top area of the housing unit rear wall must be removed for installation.
- ▶ The hob must be installed such that the drip tray and the cleaning flap are easily accessible and can be removed for cleaning.
- ▶ The air duct is laid behind the housing unit rear wall. The rear wall must be removable for maintenance purposes.
- ▶ The minimum plinth height of the KMDA 7876 FL-U is:
 - Extraction mode: no minimum plinth height required
 - Guided recirculation mode: 100 mm
 - Plug&Play mode: 25 mm
- ▶ The exhaust air drawn into the vapour extraction may only be routed through the base unit and back into the room in Plug&Play mode. In extraction mode and in guided recirculation mode, the exhaust air must be routed outside through ducting (extraction mode) or back into the room through the recirculation box (guided recirculation mode).
- ▶ Remember to maintain the minimum safety distances (see “Installation – Safety distances”).

Additional safety notes for extraction mode

- ▶ The appliance must not be connected to a chimney or flue which is in use. Neither should it be connected to ducting which ventilates rooms with fireplaces.
- ▶ If exhaust air is to be extracted into a chimney or ventilation duct no longer used for other purposes, seek professional advice.
- ▶ Exhaust ducting must be of non-inflammable material. Suitable material is available from Miele specialist dealers or the Miele Spares Dept.

Installation

Additional safety notes for Plug&Play mode

U value

Plug&Play operation is possible in younger or renovated buildings. If the adjacent wall or the floor is in contact with the ground or the outside air, it must have a heat transfer coefficient (U value) of $\leq 0.5 \text{ W}/(\text{m}^2\text{K})$.

Material	Material thickness	U value _(as of 1995)
Solid wall <small>(vertical coring brick, floating brick or comparable porous or highly perforated materials)</small>	$\geq 30 \text{ cm}$	0.5
Solid timber wall <small>(e.g. log cabin/prefabricated house). Timber frame or timber panel wall with insulating filling</small>	—	0.4
Passive house <small>(KfW 55, 40, 40 Plus)</small>	—	0.15–0.2

The U values for other materials can be found on the websites of the German Federal Ministry for Economic Affairs and Climate Action and the German Federal Ministry of the Interior and Community.

If you have any other questions about your building, please contact a construction expert or energy adviser.

► The cross-section of the ventilation opening must be at least 425 cm^2 .

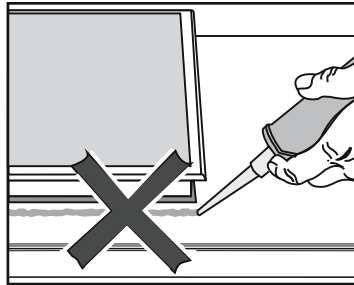
If ventilation grilles are to be inserted into the ventilation gaps, the ventilation gaps must be larger than 425 cm^2 . The unobstructed airflow of 425 cm^2 is calculated by adding up the total area of ventilation openings in the grilles.

The ventilation gaps must not be covered or blocked in any way. They must also be regularly dusted.

► The Plug&Play adapter included with the hob is required for operation in Plug&Play mode.

► A template is required when installing the hob.

Additional safety notes for surface-mounted installation

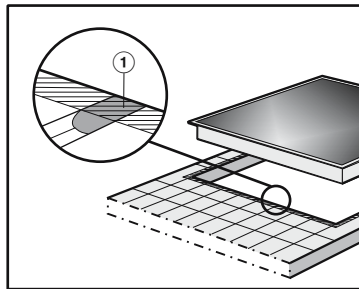


⚠ Damage caused by incorrect installation.

Using sealant under the hob could result in damage to the hob and the worktop if the hob ever needs to be removed.

Do not use sealant between the hob and the worktop.


The sealing strip under the edge of the hob provides a sufficient seal for the worktop.



► Grout lines ① and the hatched area underneath the hob frame must be smooth and even. If they are not, the hob will not sit flush with the worktop and the sealing strip underneath the hob will not provide a good seal between the hob and the worktop.

Installation

Additional safety notes for flush-fit installation

 Damage from unsuitable sealant.

Unsuitable sealant can damage natural stone.

For natural stone worktops and natural stone tiles, only use silicone sealant that is specially formulated for natural stone. Follow the manufacturer's instructions.

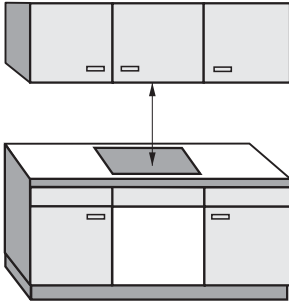
► The internal width of the base unit underneath the appliance must be at least as wide as the inner worktop cut-out (see “Installation – Building-in dimensions for flush-fit installation”), so that the hob is easily accessible from underneath after installation and the casing can be removed for maintenance. If the underside of the hob is not freely accessible after installation, any sealant used must be removed to enable the hob to be lifted out of the cut-out should this be necessary.

► A flush-fit hob is suitable only for installation in natural stone (granite, marble), solid wood and tiled worktops. When using a worktop made from any other material, please check first with the worktop manufacturer that it is suitable for installing a flush-fit hob.

- Natural stone worktops: the hob is set directly in the cut-out.
- Solid wood worktops, tiled worktops: the hob is secured inside the cut-out with wooden battens. The battens must be provided on site and are not included in the scope of delivery.

Safety distances

Safety distance above the hob



The safety distance specified by the manufacturer of the cooker hood must be maintained between the hob and the cooker hood above it.

When two or more appliances which have different safety distances are installed together below a cooker hood, you should observe the greatest safety distance.

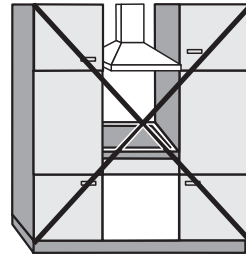
If combustible objects are installed above the hob (e.g., cabinets, utensil rail, etc.), a minimum safety distance of 500 mm must be maintained.

Installation

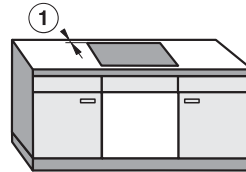
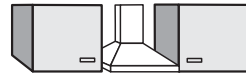
Safety distance behind and to the side of the hob

The minimum safety distances shown below must be maintained between the appliance and a tall cabinet or wall:

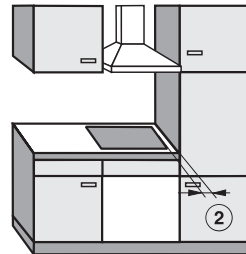
- Between the **back** ① of the worktop cut-out and the rear edge of the worktop:
50 mm
- and
- On the **right side** ② between the worktop cut-out and the closest adjacent piece of furniture (e.g. tall unit) or a room wall:
50 mm and on the opposite side a minimum safety distance of 200 mm
- or
- On the **left side** ③ between the worktop cut-out and the closest adjacent piece of furniture (e.g. tall unit) or a room wall:
50 mm and on the opposite side a minimum safety distance of 200 mm



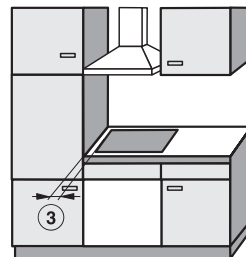
Not allowed



Highly recommended



Not recommended



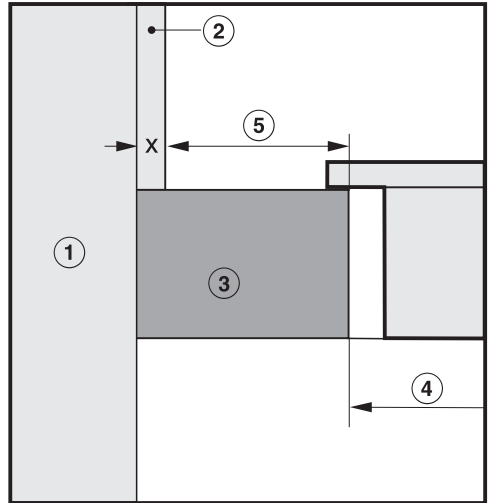
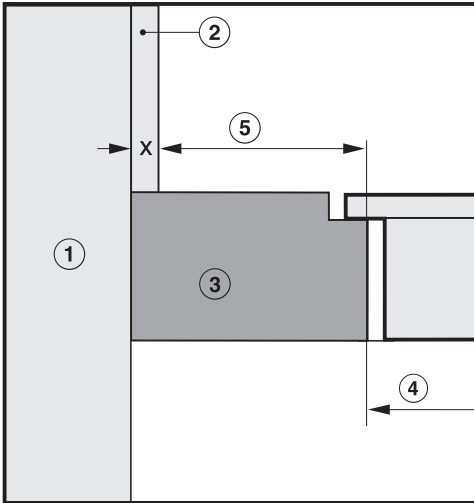
Not recommended

Safety distance from the niche cladding

If niche cladding is installed, a minimum safety distance must be maintained between the worktop cut-out and the cladding. High temperatures can alter or damage these materials.

Flush-fit installation

Surface-mounted installation



- ① Masonry
- ② Dimension x = thickness of the niche cladding material
- ③ Worktop
- ④ Worktop cut-out
- ⑤ Minimum safety distance to
 - combustible** materials (e.g. wood) 50 mm
 - non-combustible** materials (e.g. metal, natural stone, ceramic tiles) 50 mm – dimension x

Example: 15 mm thick non-combustible niche cladding
50 mm – 15 mm = minimum safety distance of 35 mm

Installation

Operating options

	Extraction mode	Guided recirculation mode	Plug&Play mode
KMDA 7876 FL-A	✓	–	–
KMDA 7876 FL-U	–	✓	✓✓

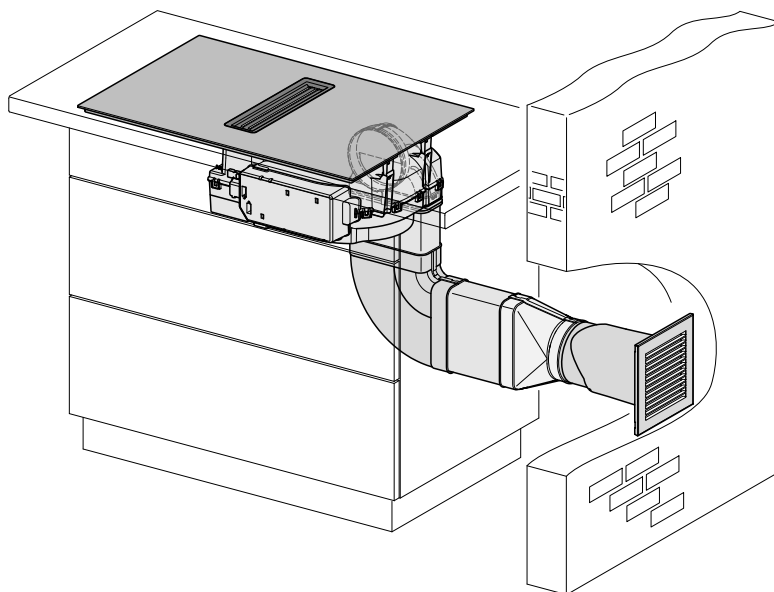
✓✓ Possible

✓ Possible – additional accessories required

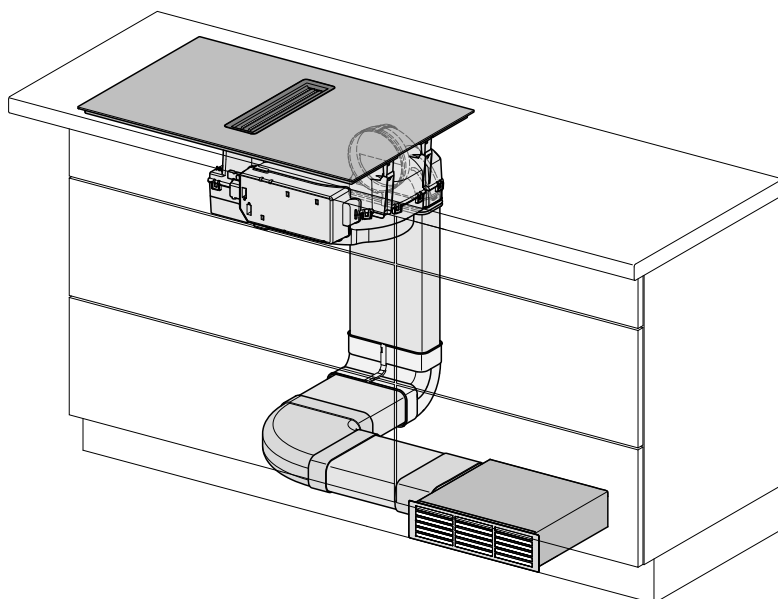
– Programming has to be adjusted – additional accessories required

Installation examples

Extraction mode

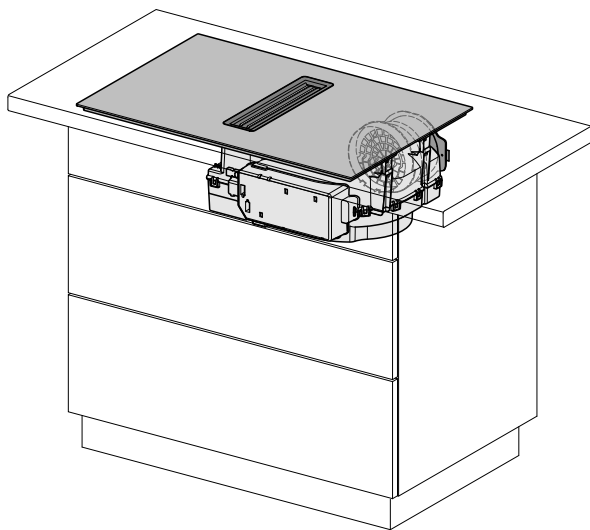


Guided recirculation mode



Installation

Plug&Play mode

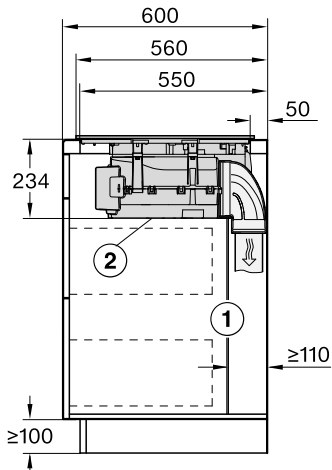


Installation

Extraction and guided recirculation mode with surface-mounted installation

Worktop depth 600 mm

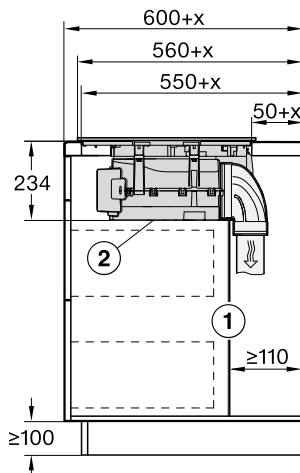
KMDA 7876 FL-A, KMDA 7876 FL-U



- ① For maintenance work it must be possible to remove the rear cabinet wall. The cabinet wall and an adjoining room wall or a piece of furniture must be at least 110 mm apart to ensure sufficient room for the ducting.
- ② The removable drip tray and the cleaning flap must be accessible after installation.

Worktop depth greater than 600 mm

KMDA 7876 FL-A, KMDA 7876 FL-U

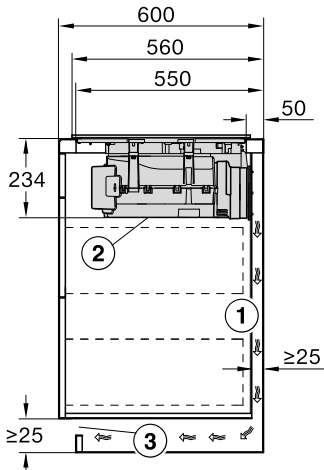


- ① For maintenance work it must be possible to remove the rear cabinet wall. The cabinet wall and an adjoining room wall or a piece of furniture must be at least 110 mm apart to ensure sufficient room for the ducting.
 - ② The removable drip tray and the cleaning flap must be accessible after installation.
- x Dimension of which the worktop is deeper than 600 mm.

Plug&Play with surface-mounted installation

Worktop depth 600 mm

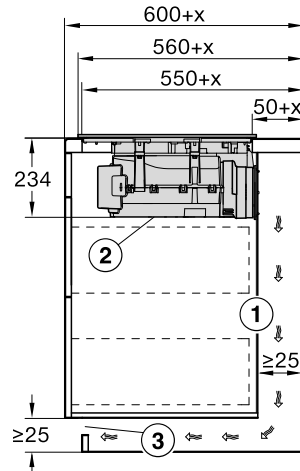
KMDA 7876 FL-U



- ① The housing unit wall and an adjoining room wall or a piece of furniture must be at least 25 mm apart to ensure sufficient room for the exhaust air ducting.
- ② The removable drip tray and the cleaning flap must be accessible after installation.
- ③ The cross-section of the ventilation opening must be at least 425 cm².

Worktop depth greater than 600 mm

KMDA 7876 FL-U

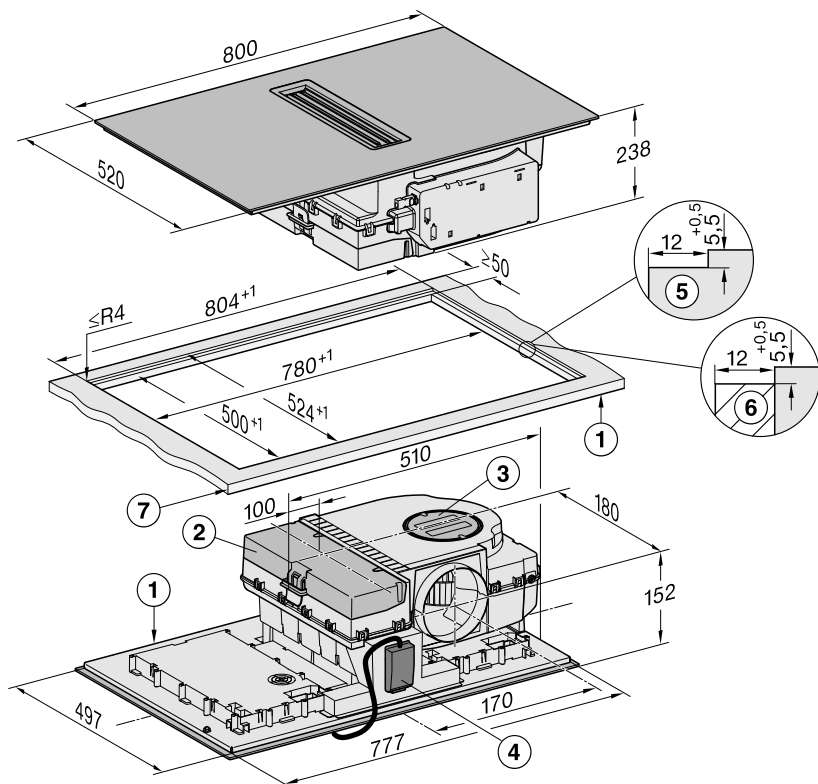


- ① The housing unit wall and an adjoining room wall or a piece of furniture must be at least 25 mm apart to ensure sufficient room for the exhaust air ducting.
If the housing unit rear wall is > 555 mm away from the front of the worktop, the Plug&Play adapter must be combined with an expansion set from Miele.
 - ② The removable drip tray and the cleaning flap must be accessible after installation.
 - ③ The cross-section of the ventilation opening must be at least 425 cm².
- x Dimension of which the worktop is deeper than 600 mm.

Installation

Installation dimensions for flush-fit installation

KMDA 7876 FL-A, KMDA 7876 FL-U



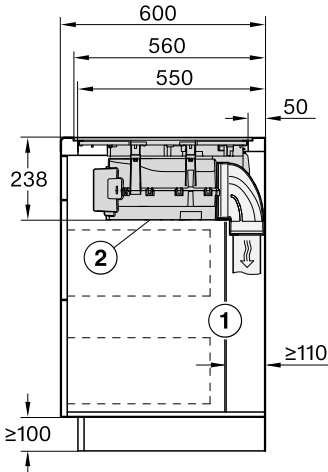
All dimensions are given in mm.

- ① Front
- ② Removable drip tray
- ③ Cleaning flap
- ④ Mains connection box with mains connection cable
Mains connection cable L = 2000 mm
- ⑤ Stepped cut-out, natural stone worktop
- ⑥ Wooden batten 12 mm (not supplied)
- ⑦ Worktop thickness
Extraction and guided recirculation mode: ≥ 10 mm
Plug&Play mode: ≥ 10 mm – ≤ 40 mm

Extraction and guided recirculation mode with flush-fit installation

Worktop depth 600 mm

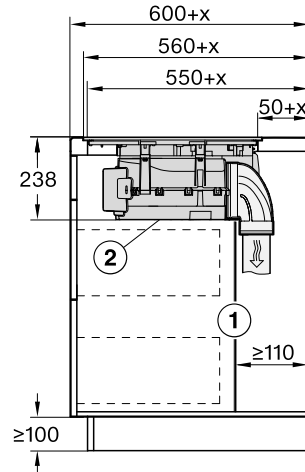
KMDA 7876 FL-A, KMDA 7876 FL-U



- ① For maintenance work it must be possible to remove the rear cabinet wall. The cabinet wall and an adjoining room wall or a piece of furniture must be at least 110 mm apart to ensure sufficient room for the ducting.
- ② The removable drip tray and the cleaning flap must be accessible after installation.

Worktop depth greater than 600 mm

KMDA 7876 FL-A, KMDA 7876 FL-U



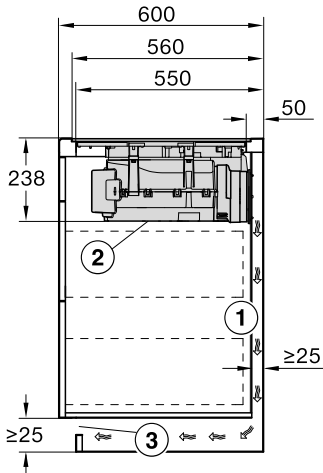
- ① For maintenance work it must be possible to remove the rear cabinet wall. The cabinet wall and an adjoining room wall or a piece of furniture must be at least 110 mm apart to ensure sufficient room for the ducting.
 - ② The removable drip tray and the cleaning flap must be accessible after installation.
- x Dimension of which the worktop is deeper than 600 mm.

Installation

Plug&Play with flush-fit installation

Worktop depth 600 mm

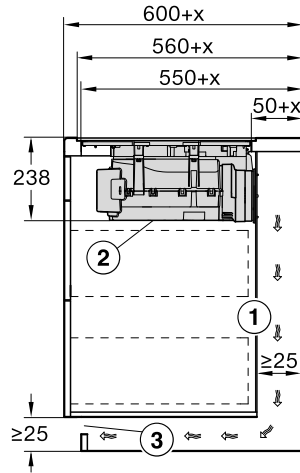
KMDA 7876 FL-U



- ① The housing unit wall and an adjoining room wall or a piece of furniture must be at least 25 mm apart to ensure sufficient room for the exhaust air ducting.
- ② The removable drip tray and the cleaning flap must be accessible after installation.
- ③ The cross-section of the ventilation opening must be at least 425 cm².


Worktop depth greater than 600 mm

KMDA 7876 FL-U



- ① The housing unit wall and an adjoining room wall or a piece of furniture must be at least 25 mm apart to ensure sufficient room for the exhaust air ducting.
If the housing unit rear wall is > 555 mm away from the front of the worktop, the Plug&Play adapter must be combined with an expansion set from Miele.
 - ② The removable drip tray and the cleaning flap must be accessible after installation.
 - ③ The cross-section of the ventilation opening must be at least 425 cm².
- x Dimension of which the worktop is deeper than 600 mm.

Connection to window contact

 The window contact connection is live.

Danger of electric shock.

Disconnect the hob from the mains electricity supply before connecting the switching system.

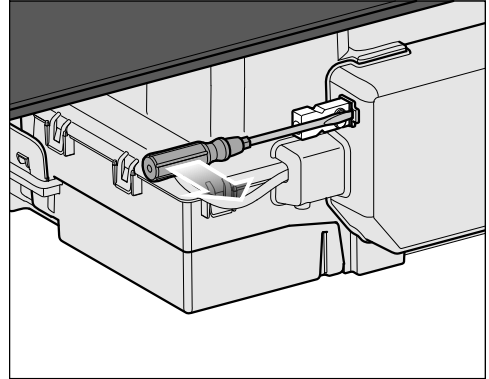
The connection cable for the switching system must only be connected by a suitably qualified electrician.

The connection cable for the switching system must comply with type H03VV-F 2 x 0.75 mm² and must not exceed 2.0 m in length.

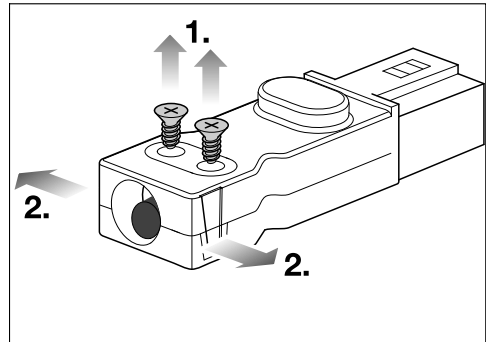
The switching system must be equipped with a potential-free contact suitable for 230 V, 1 A. The vapour extraction is switched off when the switch is open.

Only use DIBt-approved and tested radio switching systems (e.g. window contact switches, pressure switches) and have them approved by authorised specialists (e.g. building regulations inspector).

You will need the appropriate external switching system documents to safely connect and operate the switch.

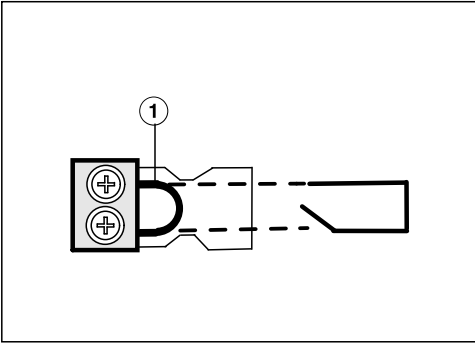


- Loosen the latch and pull the plug out.



- Loosen the strain relief screws ① and unlock the casing on both sides ②.
- Open the casing.
- Remove the stopper.

Installation



- Exchange the bridge ① for the connection cable of the switching system.
- Close the casing.
- Tighten the strain relief screw.
- Reinsert the plug.

Installing a surface-mounted hob with extraction and guided recirculation mode

- Create the worktop cut-out. Remember to maintain the minimum safety distances (see “Installation – Safety distances”).
- Seal any cut surfaces on **wooden worktops** with a special varnish, silicone sealant or resin to prevent the wood from swelling as a result of moisture ingress. The sealant must be heat-resistant.

Make sure that the sealant does not come into contact with the top of the worktop.

- Attach the sealing strip provided underneath the edge of the hob. Do not apply the sealing strip under tension.
- Feed the mains connection cable for the hob down through the worktop cut-out.
- Place the hob centrally in the cut-out. When doing this, make sure that the seal of the appliance sits flush with the worktop on all sides. This is important to ensure an effective seal all round.
- If the seal does not sit flush with the worktop in the corners, the corner radius ($\leq R4$) can be carefully cut to fit using a jigsaw.
- Connect the hob to the mains electricity supply.
- Check that the hob works.

Installation

Installing a surface-mounted hob with Plug&Play

- Create the worktop cut-out. Remember to maintain the minimum safety distances (see “Installation – Safety distances”).
- Cut the top of the drilling template to the thickness of your worktop. Depending on the installation depth, place the correct drilling template on top of the housing unit rear wall. Use the drilling template to create a cut-out for the Plug&Play adapter.

Installation depth	Drilling template number	Adapter position
23,8 cm ¹	2	2
24,8 cm ²	3a	3

¹ The template is supplied with the appliance.

² The templates can be found on the Miele homepage.

- If you do not have a drilling template, see “Installation – Rear wall cut-out without drilling template”.
- Seal any cut surfaces on **wooden worktops** with a special varnish, silicone sealant or resin to prevent the wood from swelling as a result of moisture ingress. The sealant must be heat-resistant.

Make sure that the sealant does not come into contact with the top of the worktop.

- Attach the sealing strip provided underneath the edge of the hob. Do not apply the sealing strip under tension.

The Plug&Play adapter may break off.

When placing the hob on the worktop, make sure that it is not placed on top of the Plug&Play adapter.

- Connect the Plug&Play adapter to the hob and set the adapter position.
- Feed the mains connection cable for the hob down through the worktop cut-out.
- Remove the protective foil from the adhesive tape at the end of the Plug&Play adapter.
- Place the hob centrally in the cut-out. When doing this, make sure that the seal of the appliance sits flush with the worktop on all sides. This is important to ensure an effective seal all round.
- If the seal does not sit flush with the worktop in the corners, the corner radius ($\leq R4$) can be carefully cut to fit using a jigsaw.

- Align the Plug&Play adapter with the predrilled hole. Press the adapter onto the rear wall until it sticks in place.
- Connect the hob to the mains electricity supply.
- Check that the hob works.

Installation

Installing a flush-fit hob with extraction and guided recirculation mode

- Create the worktop cut-out. Remember to maintain the minimum safety distances (see “Installation – Safety distances”).
- Solid wood, tiled and glass worktops:
Fix a wooden frame 5,5 mm below the top edge of the worktop (see “Installation – Building-in dimensions for flush-fit installation”).
- Attach the sealing strip provided underneath the edge of the hob. Do not apply the sealing strip under tension.
- Feed the mains connection cable for the hob down through the worktop cut-out.
- Centre the hob in the cut-out.

The gap between the ceramic glass surface and the worktop must be at least 2 mm wide. This is required so that the hob can be sealed.

- Connect the hob to the mains electricity supply.
- Check that the hob works.
- Seal the gap between the hob and worktop with a silicone sealant that is heat-resistant to at least 160 °C.

Installing a flush-fit hob with Plug&Play

- Create the worktop cut-out. Remember to maintain the minimum safety distances (see “Installation – Safety distances”).
- Cut the top of the drilling template to the thickness of your worktop. Depending on the installation depth, place the correct drilling template on top of the housing unit rear wall. Use the drilling template to create a cut-out for the Plug&Play adapter.

Installation depth	Drilling template number	Adapter position
23,8 cm ¹	1	1
24,8 cm ²	3b	3

¹ The template is supplied with the appliance.

² The templates can be found on the Miele homepage.

- If you do not have a drilling template, see “Installation – Rear wall cut-out without drilling template”.
- Solid wood, tiled and glass worktops:
Fix a wooden frame 5,5 mm below the top edge of the worktop (see “Installation – Building-in dimensions for flush-fit installation”).
- Attach the sealing strip provided underneath the edge of the hob. Do not apply the sealing strip under tension.

The Plug&Play adapter may break off.

When placing the hob on the worktop, make sure that it is not placed on top of the Plug&Play adapter.

- Connect the Plug&Play adapter to the hob and set the adapter position.
- Feed the mains connection cable for the hob down through the worktop cut-out.
- Plug&Play mode: remove the protective foil from the adhesive tape at the end of the Plug&Play adapter.
- Centre the hob in the cut-out.

The gap between the ceramic glass surface and the worktop must be at least 2 mm wide. This is required so that the hob can be sealed.

- Plug&Play mode: align the Plug&Play adapter with the predrilled hole. Press the adapter onto the rear wall until it sticks in place.
- Connect the hob to the mains electricity supply.
- Check that the hob works.

Installation

- Seal the gap between the hob and worktop with a silicone sealant that is heat-resistant to at least 160 °C.

Installing exhaust ducting

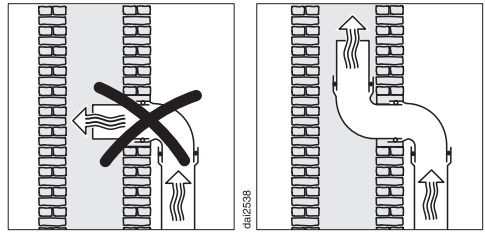
⚠ If the vapour extraction is used at the same time as a heating appliance that relies on oxygen from the same room, there is a risk of toxic fumes. It is essential that the “Warnings and safety notes” are observed.

The vapour extraction should be installed according to local and national building regulations. Seek approval from the building regulations inspector where necessary.

Remember that any constriction of the air flow will reduce air throughput and increase operating noise.

The vapour extraction has an exhaust duct of \varnothing 150 mm.

- Only use smooth pipes or flexible exhaust hoses made from non-flammable materials for exhaust ducting.
- To achieve the most efficient air throughput with the lowest noise levels, please note the following:
 - The cross-section of the exhaust ducting must not be smaller than the cross-section of the exhaust connection (see the appliance dimensions).
 - The ducting should be as short and straight as possible.
 - Only use wide radius bends.
 - The exhaust ducting must not be kinked or compressed.
 - Ensure that all connections are strong and airtight.



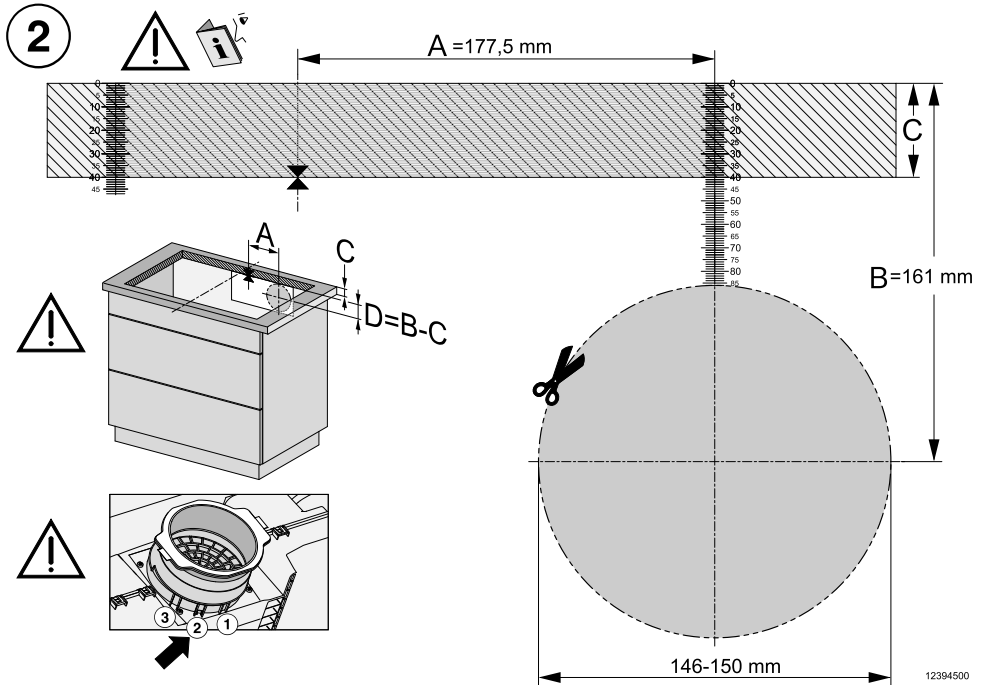
- If the exhaust air is to be ducted into a flue, the ducting must be directed in the flow direction of the flue.
- If ducting is to be laid horizontally it must be laid with a downwards sloping gradient. This is to ensure that condensate cannot drain back into the fan.
- If the ducting is to run through cool rooms, ceiling space, etc., there may be great variations in temperature between the different areas. The problem of condensation will need to be addressed. The ducting will need to be suitably insulated.

Installation

Rear wall cut-out without drilling template

Creating the rear wall cut-out with surface-mounted installation and an installation depth of 23,8 cm

Ideally, the drilling template supplied with the appliance should be used. The following instructions should only be used if the drilling template is not available.

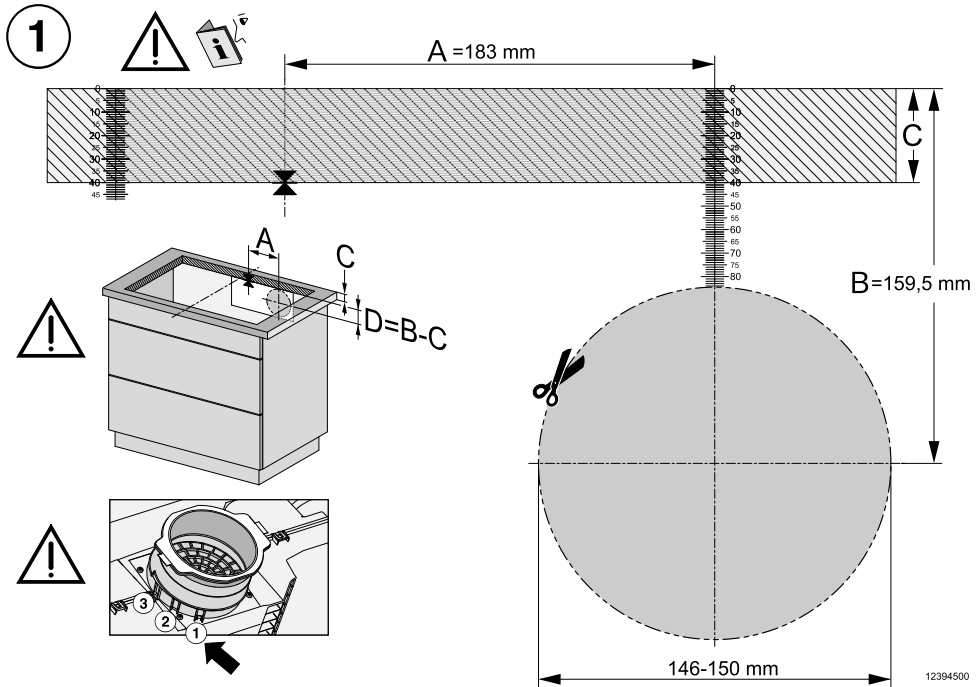


View of the drilling template side 2. Not to scale.

- Measure the thickness of your worktop (C).
- Locate the centre of the long axis of the cut-out.
- Mark the point that is 177.5 mm (A) to the right of the midpoint.
- Mark the point (D) that is $(B [161 \text{ mm}] - C [\text{thickness of the worktop}])$ below the right end of distance A.
- Saw a hole with a diameter of 146–150 mm around this point.
- Plug&Play mode only: engage the Plug&Play adapter in position 2.

Creating the rear wall cut-out with flush-fit installation and an installation depth of 23,8 cm

Ideally, the drilling template supplied with the appliance should be used. The following instructions should only be used if the drilling template is not available.



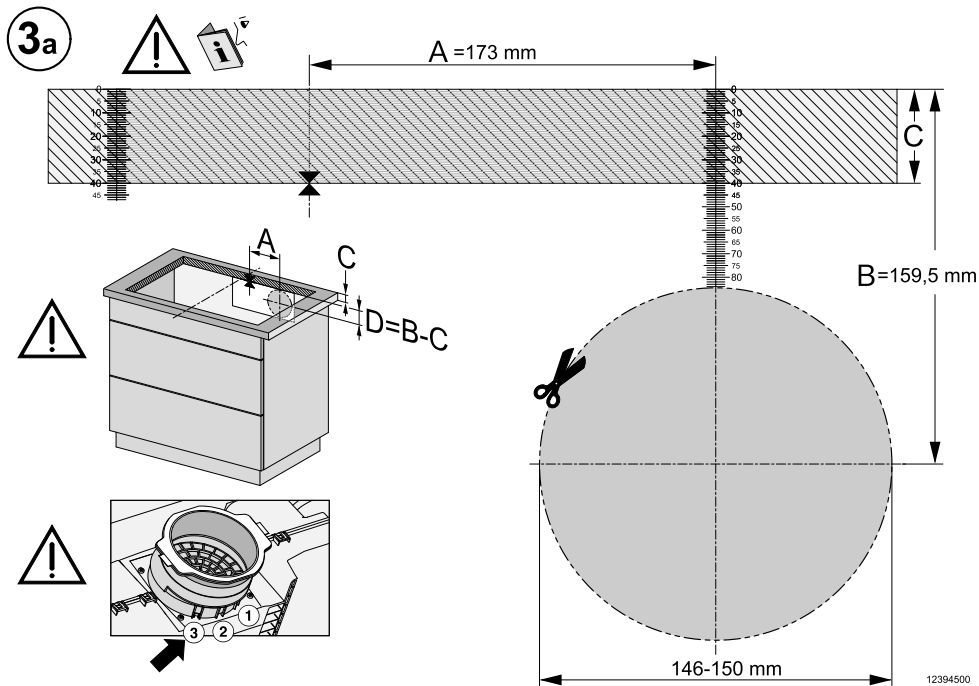
View of the drilling template side 1. Not to scale.

- Measure the thickness of your worktop (C).
- Locate the centre of the long axis of the cut-out.
- Mark the point that is 183 mm (A) to the right of the midpoint.
- Mark the point (D) that is $(B [159.5 \text{ mm}] - C [\text{thickness of the worktop}])$ below the right end of distance A.
- Saw a hole with a diameter of 146–150 mm around this point.
- Plug&Play mode only: engage the Plug&Play adapter in position 1.

Installation

Creating the rear wall cut-out with surface-mounted installation and an installation depth of 24,8 cm

Ideally, the drilling template supplied with the appliance should be used. The following instructions should only be used if the drilling template is not available.

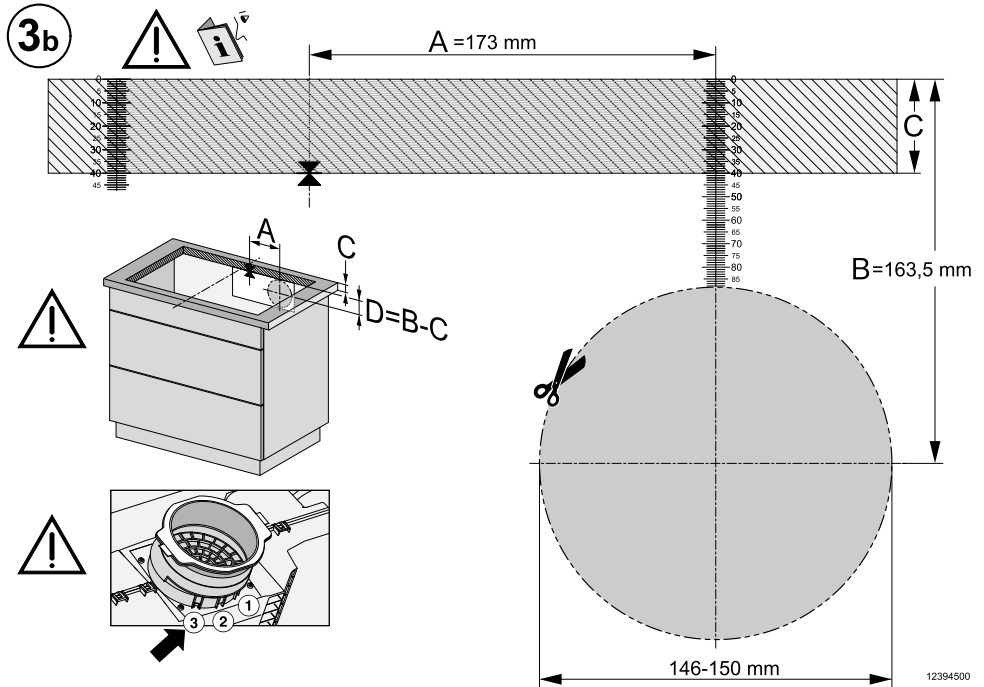


View of the drilling template side 3a. Not to scale.

- Measure the thickness of your worktop (C).
- Locate the centre of the long axis of the cut-out.
- Mark the point that is 173 mm (A) to the right of the midpoint.
- Mark the point (D) that is (B [159.5 mm] – C [thickness of the worktop]) below the right end of distance A .
- Saw a hole with a diameter of 146–150 mm around this point.
- Plug&Play mode only: engage the Plug&Play adapter in position 3.

Creating the rear wall cut-out with flush-fit installation and an installation depth of 24,8 cm

Ideally, the drilling template supplied with the appliance should be used. The following instructions should only be used if the drilling template is not available.



View of the drilling template side 3b. Not to scale.

- Measure the thickness of your worktop (C).
- Locate the centre of the long axis of the cut-out.
- Mark the point that is 173 mm (A) to the right of the midpoint.
- Mark the point (D) that is $(B [163.5 \text{ mm}] - C [\text{thickness of the worktop}])$ below the right end of distance A.
- Saw a hole with a diameter of 146–150 mm around this point.
- Plug&Play mode only: engage the Plug&Play adapter in position 3.

Installation

Electrical connection



Risk of damage from incorrect connection.

Unauthorised installation, maintenance and repairs can cause considerable danger for the user.

Miele cannot be held liable for damage or injury caused by unauthorised installation, maintenance or repair work, or by an inadequate or faulty on-site earthing system (e.g. electric shock).

This hob must be connected to the electrical supply by a qualified electrician.

The electrician must be familiar with and comply with the national regulations and any additional regulations of the local electricity provider (e.g. BS 7671 in the UK).

After installation, ensure that all electrical components are shielded and cannot be accessed by users.

Total power rating

See data plate

Connection data

The connection data is quoted on the data plate. Please ensure these match the household mains supply.

Please see wiring diagrams for connection. (N.B. This appliance is supplied single phase only in the UK / AUS / NZ).

Residual current device

For extra safety, it is advisable to protect the appliance with a suitable residual current device (RCD) with a trip range of 30 mA.

WARNING
THIS APPLIANCE MUST BE EARTHED

Disconnecting devices

It must be possible to disconnect the hob from the mains at all poles using disconnecting devices. A contact distance of at least 3 mm must be observed in the switched-off state. The disconnecting devices are overcurrent protection devices and residual current protection devices.

Disconnecting from the mains



Risk of electric shock.

There is a risk of electric shock if the appliance is connected to the mains supply during repair or service work.

After disconnection, ensure the appliance cannot be switched back on by mistake.

To disconnect the appliance from the mains power supply, do one of the following depending on installation:

Safety fuses

- Completely remove fuses.

Automatic circuit breakers

- Press the (red) test button until the middle (black) button springs out.

Built-in circuit breakers

- Circuit breakers at least type B or C:
Switch the lever from 1 (on) to 0 (off).

Residual current device (RCD)

- Switch the main switch from 1 (on) to 0 (off) or press the test button.

Mains connection cable

The hob must be connected to the electrical supply with a special connection cable, type H 05 VV-F (PVC insulated) with a suitable diameter.

Please see wiring diagrams for connection. (N.B. This appliance is supplied single phase only in the UK / AUS / NZ).

See the data plate on the hob for the correct voltage and rated load.

Replacing the mains connection cable



Risk of electric shock.

Incorrect connection to the power supply may result in an electric shock.

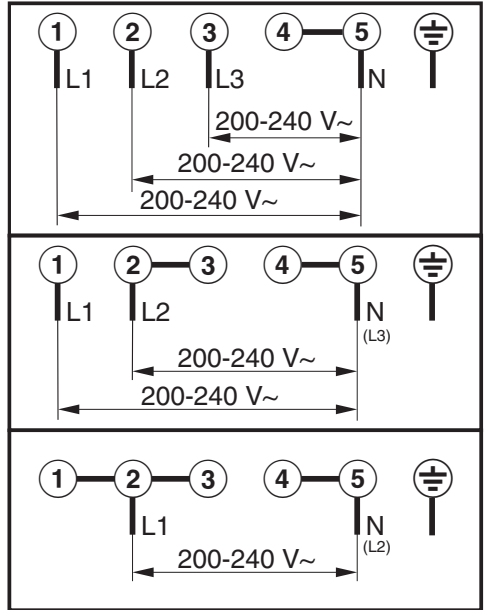
The mains cable must only be replaced by a qualified electrician.

When replacing the mains cable only use cable type H 05 VV-F (PVC insulated) with a suitable cross section. A suitable connection cable is available to order from Miele.

Installation

Wiring diagram

Some connection methods are not permitted in all installation locations. Ensure compliance with national regulations and any additional regulations issued by the local electricity provider.



Product data sheets

The following data sheets apply to the models described in this operating instruction manual.

Information for domestic electric hobs

In acc. with regulation (EU) No. 66/2014

MIELE	
Model name/identifier	KMDA 7676 FL-A, KMDA 7676 FL-U
Number of cooking zones and/or areas	4
For circular cooking zones: diameter of useful surface area/cooking zone For non-circular cooking zones or areas: length and width of useful surface area per electric cooking zone or area	1. = 230x460 mm 2. = 230x460 mm 3. = 4. =
Energy consumption per cooking zone or area calculated per kg ($EC_{\text{electric cooking}}$)	1. = 180,1 Wh/kg 2. = 180,7 Wh/kg
Energy consumption for the hob calculated per kg ($EC_{\text{electric hob}}$)	180,4 Wh/kg

Installation

Data sheet for household cooker hoods

In acc. with delegated regulation (EU) No. 65/2014 and regulation (EU) No. 66/2014

MIELE	
Model name/identifier	KMDA 7676 FL-A
Annual Energy Consumption (AEC _{hood})	kWh/year
Energy efficiency class	A+
Energy efficiency index (EEI _{hood})	38,1
Fluid Dynamic Efficiency (FDE _{hood})	35,0
Fluid Dynamic Efficiency class	
A (most efficient) to G (least efficient)	A
Lighting Efficiency (LE _{hood})	lx/W
Lighting Efficiency class	
A (most efficient) to G (least efficient)	-
Grease Filtering Efficiency	95,1%
Grease Filtering Efficiency class	
A (most efficient) to G (least efficient)	A
Airflow at best efficiency point	318,3 m ³ /h
Air flow (min. speed)	196 m ³ /h
Air flow (max. speed)	530 m ³ /h
Air flow (intensive or boost setting)	605 m ³ /h
Max. air flow (Q _{max})	605,0 m ³ /h
Air pressure at best efficiency point	502 Pa
Airborne acoustical A-weighted sound power emissions (min. speed)	41 dB
Airborne acoustical A-weighted sound power emissions (max. speed)	65 dB
Airborne acoustical A-weighted sound power emissions (intensive or boost setting)	68 dB
Electrical power input at best efficiency point	126,9 W
Power consumption in off mode (P _o)	W
Power consumption in standby mode (P _s)	W
Nominal power of lighting system	0,0 W
Average illumination of the lighting system on the cooking surface	0 lx
Time increase factor	0,7

UK Conformity declaration

Miele hereby declares that this ceramic induction hob complies with UK Radio Equipment Regulations 2017, as amended.

The complete text of the UK declaration of conformity is available from one of the following internet addresses:

- Products, Download from www.miele.co.uk
- For service, information, operating instructions etc: go to <https://miele.co.uk/manuals> and enter the name of the product or the serial number

Frequency band of the WiFi module	2.4000 GHz – 2.4835 GHz
Maximum transmitting power of the WiFi module	< 100 mW

United Kingdom

Miele Co. Ltd., Fairacres, Marcham Road, Abingdon, Oxon, OX14 1TW
Tel: 0330 160 6600, Internet: www.miele.co.uk, E-mail: info@miele.co.uk

Australia

Miele Australia Pty. Ltd.
ACN 005 635 398
ABN 96 005 635 398
Level 4, 141 Camberwell Road
Hawthorn East, VIC 3123
Tel: 1300 464 353
E-mail: info@miele.com.au
Internet: www.miele.com.au

China Mainland

Miele Electrical Appliances Co., Ltd.
1-3 Floor, No. 82 Shi Men Yi Road
Jing' an District
200040 Shanghai, PRC
Tel: +86 21 6157 3500
Fax: +86 21 6157 3511
E-mail: info@miele.cn
Internet: www.miele.cn

Hong Kong, China

Miele (Hong Kong) Ltd.
41/F - 4101, Manhattan Place
23 Wang Tai Road
Kowloon Bay, Hong Kong
Tel: (852) 2610 1025
Fax: (852) 3579 1404
E-mail:
customerservices@miele.com.hk
Website: www.miele.hk

India

Miele India Pvt. Ltd.
1st Floor, Copia Corporate Suites,
Commercial Plot 9, Mathura Road,
Jasola, New Delhi - 110025
E-mail: customercare@miele.in
Website: www.miele.in

Ireland

Miele Ireland Ltd.
2024 Bianconi Avenue
Citywest Business Campus
Dublin 24
Tel: (01) 461 07 10
Fax: (01) 461 07 97
E-mail: info@miele.ie
Internet: www.miele.ie

Malaysia

Miele Sdn Bhd
Suite 12-2, Level 12
Menara Sapura Kencana
Petroleum
Solaris Dutamas No. 1
Jalan Dutamas 1
50480 Kuala Lumpur, Malaysia
Phone: +603-6209-0288
Fax: +603-6205-3768

New Zealand

Miele New Zealand Limited
IRD 98 463 631
8 College Hill
Freemans Bay, Auckland 1011
Tel: 0800 464 353
E-mail: customercare@miele.co.nz
Internet: www.miele.co.nz

Singapore

Miele Pte. Ltd.
29 Media Circle
#11-04 ALICE@Mediapolis
Singapore 138565
Tel: +65 6735 1191
Fax: +65 6735 1161
E-mail: info@miele.com.sg
Internet: www.miele.sg

South Africa

Miele (Pty) Ltd.
63 Peter Place, Bryanston 2194
P.O. Box 69434, Bryanston 2021
Tel: (011) 875 9000
Fax: (011) 875 9035
E-mail: info@miele.co.za
Internet: www.miele.co.za

Thailand

Miele Appliances Ltd.
BHIRAJ TOWER at EmQuartier
43rd Floor Unit 4301-4303
689 Sukhumvit Road
North Klongton Sub-District
Vadhana District
Bangkok 10110, Thailand

United Arab Emirates

Miele Appliances Ltd.
Showroom 1, Eiffel 1 Building
Sheikh Zayed Road, Umm Al Sheif
P.O. Box 114782 - Dubai
Tel. +971 4 3044 999
Fax. +971 4 3418 852
800-MIELE (64353)
E-mail: info@miele.ae
Website: www.miele.ae

Manufacturer: Miele & Cie. KG, Carl-Miele-Straße 29, 33332 Gütersloh, Germany

KMDA 7676 FL-A, KMDA 7676 FL-U

en-GB

M.-Nr. 12 645 300 / 00