

Operating and installation instructions Vented dryer



Always read the operating instructions before assembly, installation and commissioning of the machine. This prevents both personal injury and damage to the machine.

Contents

Caring for the environment	7
Warning and Safety instructions	8
Operating the tumble dryer	17
Fascia panel.....	17
Sensors and touch display with sensors	18
Main menu	18
Examples of how to operate the appliance	19
Operating a launderette machine	21
Initial commissioning	23
Switch on the tumble dryer	23
Reference to external appliances.....	24
Setting the display brightness.....	24
Setting the date	24
Selecting programme packages.....	25
Completing the commissioning process	27
1. Notes on correct laundry care	28
Washing.....	28
Drying.....	28
Care label symbols.....	28
2. Load the tumble dryer	29
3. Selecting a programme	30
Switch on the tumble dryer	30
Selecting a programme	30
4. Selecting programme settings	31
Main menu for a programme	31
Select the drying level.....	31
Selecting the duration (timed programmes)	31
Selecting extra options.....	32
Low temperature.....	32
Anti-crease	32
5. Starting the programme	33
6. End of programme – unloading the drum	34
End of programme.....	34
Unloading the drum	34
Observe any maintenance notes	34
Timer	35
Programme overview	36
Label	36

Programme packages	37
Standard	37
Sport.....	41
Soft furnishings.....	42
Hygiene	43
WetCare.....	44
Flatwork	44
Special programmes	45
Changing the programme sequence	46
Changing a programme once it has started	46
Cancelling a programme.....	46
Reselecting a cancelled programme.....	46
Adding laundry	46
Cleaning and care	47
When to clean.....	47
Cleaning the fluff filters	47
Removing the fluff filter.....	47
Dismantling the fluff filter.....	48
Cleaning the fluff filter components when dry	48
Cleaning the fluff filter components when wet	48
Cleaning the air supply area	49
Assembling and fitting the fluff filter.....	50
Cleaning the tumble dryer.....	51
Problem solving guide.....	52
Programme cancellation and fault message in the display	52
Messages in the display	54
Unsatisfactory drying results.....	56
The drying cycle duration is very long	57
General problems with the tumble dryer.....	58
Service.....	59
Contact in the event of a fault	59
Optional accessories	59

Contents

Installation	60
Front view	60
Rear view	61
Locations	62
Side view	62
Steel plinth	62
View from above	62
Washer-dryer stack	62
Transporting the tumble dryer to its installation site	63
Installation	64
Installing the tumble dryer on boats	64
Levelling the tumble dryer	64
External control equipment	65
Electrical connection	66
Installation of the ducting	67
General principles concerning exhaust air management/the air supply for marine applications	67
General principles concerning exhaust air management	67
General principles concerning the air supply	67
Calculating the total ducting length	68
Exhaust air outlets on the back of the tumble dryer	69
Sealing the air outlets	69
Dimensions of the exhaust air outlets	69
Installing plug-in pipes	70
Example	70
Installing flexible hoses	71
Flat ducting	71
Examples	72
Technical data	73
EU Conformity declaration	74
UK Conformity declaration	74
Supervisor level	75
Accessing supervisor level	75
Access via code	75
Change code	75
Demo programme	75
Closing the settings menu	75

Controls / Display.....	75
Language.....	75
Language entry.....	76
Set languages.....	76
Display brightness.....	76
Clock display.....	77
Date.....	77
Volume.....	77
Res. moisture display.....	77
Visibility parameters.....	77
Display off status.....	78
Machine off status.....	78
Delay start.....	78
Memory.....	79
Temperature unit.....	79
Weight unit.....	79
Logo.....	79
Supervisor code.....	79
Programme selection.....	80
Controls.....	80
Programme packages.....	81
Favourite programmes.....	81
Special programmes.....	83
Sort programmes.....	84
Prog. colour allocation.....	84
Process technology.....	84
Anti-crease.....	84
Drying levels.....	84
Further cooling.....	85
Cooling down temperature.....	85
Service.....	85
Clean out the airways.....	85
Clean the filters.....	86
Service interval.....	86

Contents

External applications.....	87
External exhaust flap	87
Additional fan	87
Pressure sensor	87
Peak load signal	88
Peak load prevention.....	88
COM module selection	88
Availability of Miele digital products.....	88
WiFi / LAN	89
Network time.....	90
Remote.....	90
Remote Update.....	90
SmartGrid.....	91
Machine parameters.....	92
Legal information	92
Payment system	92
Setting for payment systems.....	92
F-back signal to pay system.....	93
Payment system lock	93
Clear paid signal.....	93
Debounce time.....	94
Pay system override time	94
Duration Cool air.....	94
Duration Warm air	94
FOC programmes	94

Disposing of the packaging material

The packaging material is used for handling and protects the appliance from transport damage. The packaging material used is selected from materials which are environmentally friendly for disposal and can generally be recycled.

Recycling the packaging material reduces the use of raw materials. Use material-specific collection points for valuable materials and take advantage of return options. Your Miele dealer will take the packaging material away.

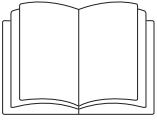
Disposing of your old appliance

Electrical and electronic appliances contain many valuable materials. They also contain certain materials, compounds and components which were essential for their correct functioning and safety. These could be hazardous to human health and to the environment if disposed of with household waste or if handled incorrectly. Please do not, therefore, dispose of your old appliance with household waste.



Instead, please make use of officially designated collection and disposal points to dispose of and recycle electrical and electronic appliances in your local community, with your dealer or with Miele, free of charge. By law, you are solely responsible for deleting any personal data from the old appliance prior to disposal. You are legally obliged to remove any old batteries which are not securely enclosed by the appliance and to remove any lamps without destroying them, where this is possible. These must be taken to a suitable collection point where they can be handed in free of charge. Please ensure that your old appliance poses no risk to children while being stored for disposal.

Warning and Safety instructions



- ▶ It is essential to read these instructions.

This tumble dryer complies with all current local and national safety requirements. However, inappropriate use can lead to personal injury and damage to property.

Read the operating instructions carefully before using the tumble dryer. They contain important information on safety, installation, use and maintenance. This prevents both personal injury and damage to the tumble dryer.

In accordance with standard IEC 60335-1, Miele expressly and strongly advises that you read and follow the instructions in the chapter on installing the tumble dryer as well as the safety instructions and warnings.

Miele cannot be held liable for damage caused by non-compliance with these instructions.

Keep these operating instructions in a safe place and pass them on to any future owner.

When instructing other people how to use the tumble dryer, they must be made aware of these safety and warning instructions.

Correct application

- ▶ This tumble dryer is only intended for drying fabrics which have been washed in a water solution, and marked on the manufacturer's care label as being suitable for tumble drying. "Dry cleaning kits" for freshening up garments in a tumble dryer are increasingly available on the market. If using, do so at your own risk, and follow the instructions provided on the packaging. Any other applications may be dangerous. Miele cannot be held liable for damage resulting from incorrect or improper use or operation.
- ▶ This tumble dryer may also be operated in public areas.
- ▶ The tumble dryer is not intended for outdoor use.

Warning and Safety instructions

- ▶ Tumble dryers with a supply voltage of 208 V–240 V (see the data plate on the back of the appliance) must not be operated onshore. This instruction does not apply to tumble dryers with other supply voltages.
- ▶ This appliance can only be used by people with reduced physical, sensory or mental capabilities, or lack of experience or knowledge, if they are supervised whilst using it or have been shown how to use it in a safe way and understand and recognise the consequences of incorrect operation.
- ▶ Children under 8 years of age must be kept away from the tumble dryer unless they are constantly supervised.
- ▶ Children 8 years and older may only use the tumble dryer unsupervised if they have been shown how to use it safely and recognise and understand the consequences of incorrect operation.
- ▶ Children must not be allowed to clean or maintain the tumble dryer unsupervised.
- ▶ Please supervise children in the vicinity of the tumble dryer and do not let them play with it.

Technical safety

- ▶ Before setting up the tumble dryer, check it for any externally visible damage.
Do not install or use a damaged tumble dryer.
- ▶ Do not make any alterations to the tumble dryer, unless authorised to do so by Miele.
- ▶ Temporary or permanent operation on an autonomous power supply system or a power supply system that is not synchronised with the mains power supply (e.g. island networks, back-up systems) is possible. A prerequisite for operation is that the power supply system complies with the specifications of EN 50160 or an equivalent standard.
The function and operation of the protective measures provided in the domestic electrical installation and in this Miele product must also be maintained in isolated operation or in operation that is not synchronised with the mains power supply, or these measures must be replaced by equivalent measures in the installation. As described, for example, in the current version of BS OHSAS 18001–2 ISO 45001.

Warning and Safety instructions

▶ Do not connect the tumble dryer to the mains electricity supply by an extension lead. Extension leads are a fire hazard and do not guarantee the required safety of the tumble dryer.

▶ The appliance may only be operated when the following conditions are met:

- The ship's hull is longer than 24 metres.
- The list of the vessel is not more than 2°.
- Any external vibration is no more than 150 Hz at an amplitude of 0.35 mm.

The safe operation and correct functioning of the appliance can only be guaranteed if the above conditions are met.

▶ Appliances that do not carry the "ETL C/US" safety mark comply with European safety regulations.

These appliances must not be operated in the USA.

▶ The appliance may not be operated on an open deck.

▶ This appliance must only be installed by a qualified person who has made sure that the conditions for its safe use are met.

▶ When installing this appliance, it must be securely fixed to the floor.

Failure to do this could result in personal injury, damage to the appliance and damage to other objects and installations.

▶ If the electrical connection cable is faulty it must always be replaced by a Miele authorised service technician to protect the user from danger.

▶ The electrical safety of this tumble dryer can only be guaranteed when correctly earthed. It is essential that this standard safety requirement is met. If in any doubt, please have the on-site wiring system inspected by a qualified electrician. Miele cannot be held liable for the consequences of an inadequate earthing system (e.g. electric shock).

▶ Unauthorised repairs could result in unforeseen dangers for the user, for which Miele cannot accept liability. Repairs should only be undertaken by a Miele approved service technician, otherwise any subsequent damage will not be covered by the warranty. Ensure current is not supplied to the tumble dryer until after maintenance or repair work has been carried out.

Warning and Safety instructions

- ▶ Faulty components must only be replaced by genuine Miele original spare parts. The manufacturer can only guarantee the safety of the appliance when Miele replacement parts are used.
- ▶ To ensure the correct performance of the tumble dryer and to prevent the risk of faults and fire, it is important to carry out maintenance on a regular basis.
- ▶ In the event of a fault or for cleaning purposes, the tumble dryer is only completely isolated from the electricity supply when:
 - it is switched off at the wall socket or the plug is withdrawn, or
 - it is switched off at the mains, or the mains fuse is disconnected
 - the screw-out fuse is removed (in countries where this is applicable), or it is switched off at the isolator switch.

See “Installation - Electrical connection”.

- ▶ Please observe the instructions in “Installation”, “Installation of the ducting” and “Technical data”.
- ▶ The accessibility of the plug must be always ensured, in order to separate the tumble dryer from the mains. All electrical work should be carried out only by a suitably qualified and competent person, in strict accordance with national and local safety regulations.
- ▶ If the appliance is hard wired, adequate provision must be made on site to switch off all poles to disconnect the tumble dryer from the electrical supply.
- ▶ Do not block the gap between the bottom of the tumble dryer and the floor with plinth facings, deep pile carpet etc. This would hinder a sufficient flow of air to the dryer.
- ▶ Do not install a lockable door, a sliding door or a door which is hinged in the opposite direction to the dryer door.
- ▶ This tumble dryer is supplied with a special lamp to cope with particular conditions (e.g. relating to temperature, moisture, chemical resistance, abrasion resistance and vibration). This special lamp must only be used for the purpose for which it is intended. It is not suitable for room lighting. Replacement lamps may only be fitted by a Miele authorised person or by Miele Service.

Correct use

- ▶ The maximum load for this tumble dryer is 8 kg (dry weight). The maximum recommended loads for individual programmes are given in the Programme chart.

Warning and Safety instructions

- ▶ Do not lean on the door. Otherwise, the tumble dryer may tip over, causing injury to yourself or others.
- ▶ Always close the door after use. This way you will avoid the danger of:
 - children climbing onto or into the dryer or hiding things in it.
 - pets or other small animals climbing into it.
- ▶ Do not use a pressure washer or hose to clean the tumble dryer.
- ▶ Keep the room where the tumble dryer is located free from dust and fluff. If the air that is taken into the machine contains dirt particles, this can cause blockages. A fault may then occur and there is a risk of fire.
- ▶ The tumble dryer may only be operated when the ducting has been installed and the room is sufficiently ventilated.
- ▶ Please observe the instructions in “Installation of the ducting”.
- ▶ The ducting must never be installed in any of the following flues or shafts.
 - Chimneys or smokestacks that are in use.
 - Shafts that are used to ventilate installation rooms with fireplaces.
 - Flues that are used by third parties.

Smoke or exhaust gas that is fed back into the flue or shaft may be toxic.

- ▶ Reverse suction of exhaust gases may result in a risk of suffocation and poisoning if gas-powered flow heaters, gas-powered room heaters, coal ovens connected to the flue, etc., are installed in the same room, in the same dwelling or in neighbouring rooms and the pressure is 4 Pa or less.

The following measures for suitable room ventilation (examples) can help to prevent negative pressure in the installation area:

- Installing vents that cannot be closed in the exterior walls.
- Window switch: The tumble dryer can only be switched on when a window is open.

Please always seek approval from the appropriate authority (GasSafe engineer, chimney sweep etc.) to confirm that the appliance can be operated without risk and that negative pressure of over 4 Pa can be prevented.

Warning and Safety instructions

▶ Regularly check all components in the ducting (e.g. wall pipe, external grille, bends, elbows, etc.) to make sure air can move through them and to ensure that they are working properly. Clean components when necessary. Fluff deposits in the ducting system will prevent the air from being extracted properly and, as a result, will stop the tumble dryer from working properly.

If existing ducting is due to be used, it must be checked before being connected to the tumble dryer.

▶ If multiple tumble dryers are to be installed on one exhaust air duct, a non-return flap must be installed directly on the duct for each tumble dryer.

If this requirement is not observed, the tumble dryers may be damaged and their electrical safety could be affected.

▶ The fluff filter must be cleaned on a regular basis.

▶ Never operate the tumble dryer without the fluff filter or with a damaged fluff filter. This could lead to malfunctions. Fluff can clog the air channels, heating elements and ducting, which could result in a fire.

Stop the tumble dryer immediately and replace the damaged fluff filter.

▶ Do not install the tumble dryer in a room where there is a risk of frost. At temperatures around freezing point, the tumble dryer may not be able to operate properly.

The permitted room temperature is between 2 °C and 35 °C.

▶ To prevent the risk of fire, the following textiles must not be dried in this tumble dryer:

- items which have not been washed.
- Items, such as workwear, which have not been thoroughly cleaned and which are still soiled with grease, oil or other deposits (such as cosmetics, lotions etc). If items have not been thoroughly cleaned

Warning and Safety instructions

there is a danger that these might ignite when heated, even after they have been removed from the dryer at the end of the programme.

- Items that have been soiled with substances such as acetone, petrol, kerosene, stain removers, turpentine, waxes, wax removers and other chemicals (e.g. mops and floor cloths) should be washed in hot water with extra detergent before being dried in the tumble dryer.
- Items which have been splashed with hair lacquer, hair spray, nail varnish remover or similar substances.

When washing very heavily soiled items ensure that you use sufficient detergent and select a high temperature. If in doubt wash several times before drying.

- ▶ Remove all items from pockets (e.g. lighters, matches).
- ▶ In many programmes, the heating phase is followed by a cooling down phase to ensure that the items are not too hot to handle when you remove them (this also avoids the danger of the laundry self-igniting). The programme is not finished until the cooling down phase is complete. Ensure that you always wait until the end of the programme before removing the laundry.
- ▶ Fire hazard.
This tumble dryer must not be connected to a controllable socket (e.g. a timer or a peak-load switch-off device).
The tumble dryer may only be operated with a peak-load device if this is connected to the tumble dryer via the Miele XCI box and the relevant settings have been configured on the tumble dryer.
There is a risk of the laundry igniting itself if the drying programme is cancelled before the cooling phase has finished.

Warning and Safety instructions

- ▶ To prevent the risk of fire, the following textiles must not be dried in this tumble dryer:
 - items which have been cleaned using chemicals (e.g. professional dry-cleaning agents).
 - fabrics which contain a large proportion of rubber, foam rubber or rubber-like materials. For example, products made from latex foam rubber, shower caps, waterproof textiles, rubberised articles and items of clothing and pillows with foam rubber filling.
 - Fabrics which contain damaged padding or fillings (e.g. pillows, jackets). When damaged, the filling can get out with the risk of it igniting in the dryer.
- ▶ The programme ends when the cooling phase starts. Many programmes are followed by the cooling phase to ensure that the items are not too hot to handle when you remove them (this also reduces the risk of the laundry self-igniting).
Always remove all laundry as soon as the programme has finished.
- ▶ Fabric conditioner and similar products must be used according to the instructions on the manufacturer's packaging.
- ▶ Benzine, petrol, paraffin, or any easily flammable liquid must not be stored or used near the machine. Danger of explosion.
- ▶ Do not expose the dryer to air which is contaminated with vapour of chlorine, fluorine or other solvents. Danger of fire.
- ▶ For tumble dryers with stainless steel surfaces:
The stainless steel surfaces must not come into contact with liquid cleaning and disinfecting agents which contain chlorine or sodium hypochlorite. These agents can have a corrosive effect on stainless steel.
Aggressive vapours containing chlorine can also be corrosive.
Do not store containers of these agents near the tumble dryer.

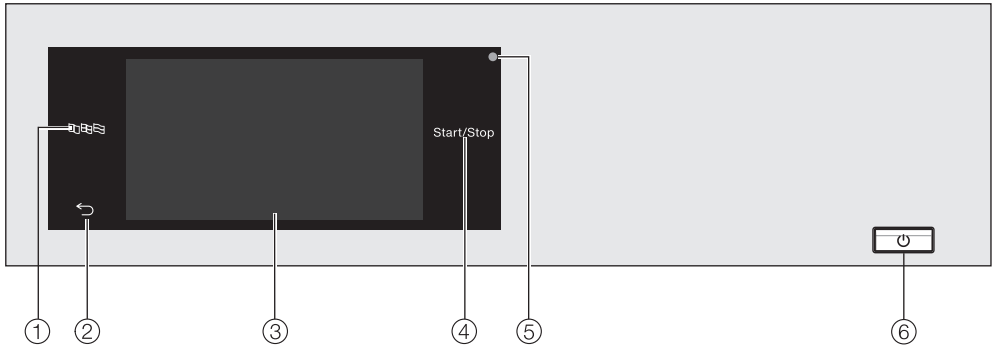
Accessories

- ▶ Only use genuine Miele original spare parts and accessories with this appliance. If spare parts or accessories from other manufacturers are used, this will invalidate the guarantee, and Miele cannot accept liability.

Warning and Safety instructions

- ▶ The tumble dryer can also be combined with a Miele washing machine in a washer-dryer stack (stacked machines cannot go on a plinth). The appropriate “APCL” stacking kit (available to order) to match your dryer is required.
- ▶ Make sure that you order the correct plinth for this tumble dryer (available from Miele as an optional accessory).

Fascia panel



① **Language sensor**

For selecting the current user language. The operating language is displayed again at the end of the programme.

② **Back sensor** ↶

For going back one level in the menu.

③ **Touch display**

④ **Sensor *Start/Stop***

For starting the selected drying programme and cancelling a programme once it has started. The programme selected can be started as soon as the sensor starts flashing.

⑤ **Optical interface**


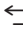
For service technicians.

⑥ **Button** ①

For switching the tumble dryer on and off. The tumble dryer switches off automatically to save energy. This occurs 15 minutes after the end of the programme/anti-crease phase, or after being switched on if no further selection is made.

Operating the tumble dryer


Sensors and touch display with sensors

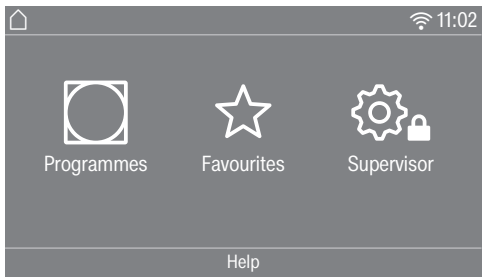
The sensors ,  and *Start/Stop* and the sensors in the display respond to finger tip contact. Every touch of a sensor is confirmed with an audible tone. You can adjust the volume of the keypad tone or switch it off (see information in “Supervisor level”).

The control panel with sensors and the touch display can be scratched by pointed or sharp objects, e.g. pens.
Only touch the display with your fingers.

Main menu

After switching on the tumble dryer, the main menu will appear in the display. You can access all the important sub-menus from the main menu.

Touch the  sensor at any time to return to the main menu. Values set previously are not saved.



Programmes

For selecting drying programmes.


Favourites

For selecting one of 12 favourite drying programmes, which can be set up and saved by the supervisor (see “Favourite programmes” in the “Supervisor level” chapter).

Supervisor

You can alter the tumble dryer electronics to suit changing requirements in the supervisor level (see “Supervisor level”).

Networking

If the tumble dryer is networked, the  symbol indicates the signal strength of the network (SSID) to which it is connected. Touch the symbol to display the name of the network.

Help

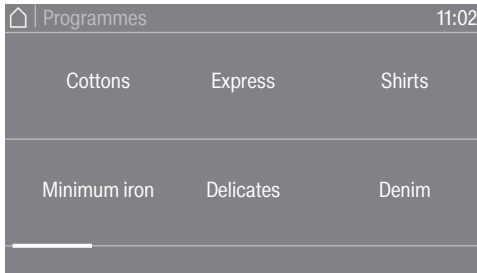
You can display help to assist you with the operation of the tumble dryer.

Operating the tumble dryer

Examples of how to operate the appliance

Option lists

Programme menu (single option list)



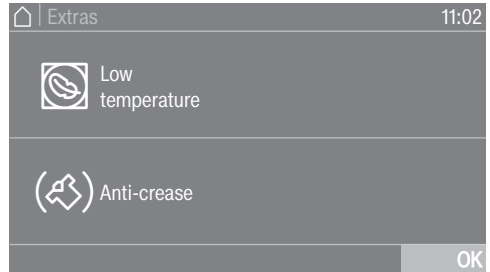
You can scroll to the right or the left by swiping your finger across the screen. To do this, place your finger on the touch display and swipe it in the direction you want.

The orange bar under the pictures shows that there are further options to choose from.

Touch a programme name to select the drying programme.

The display will change to the standard menu for that programme.

Extras menu (multiple choice)



Touch one or several *Extras* to select it/them.

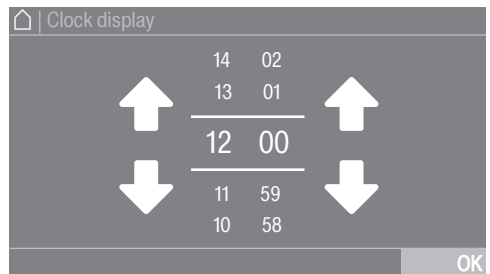
Currently selected *Extras* are marked orange.

To deselect an *Extra* simply touch the *Extra* again.

Use the OK sensor to activate all selected *Extras*.

Setting numerical values

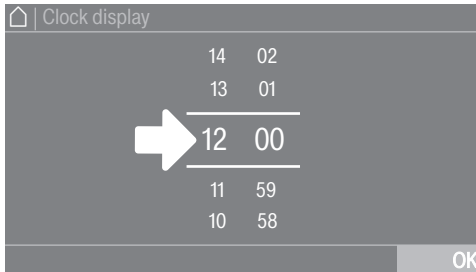
You can set numerical values in some menus.



Enter the numbers by swiping upwards or downwards. Place your finger on the number that you want to change and move your finger in the direction you want. Use the OK sensor to accept all set figures.

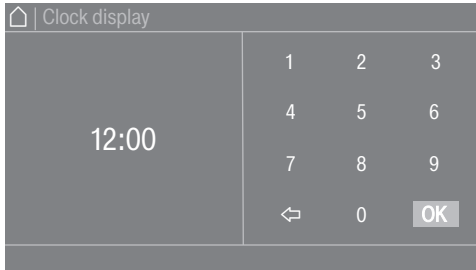
Operating the tumble dryer

Tip: For some settings, depending on the value range and increments, the value can also be set using a numerical keypad. Briefly touching a number will bring up the numerical keypad. Once a valid number has been entered, the OK sensor will be highlighted green.



- Briefly touch a number between the two lines.

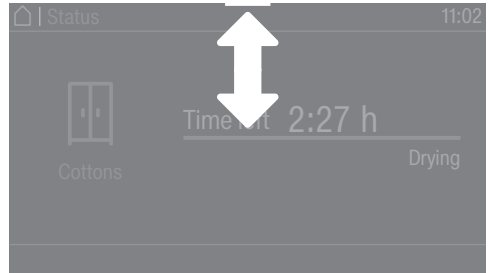
The numerical keypad will appear.



- Touch the numbers and confirm with OK.


Pull-down menu

The pull-down menu can be used to display information, e.g. about a drying programme.



If an orange bar appears at the top of the screen in the middle of the display, you can open the pull-down menu. Touch the bar and drag down with your finger.

Exiting a menu

- Touch the  sensor to return to the previous screen.

Entries made before this which have not been confirmed with OK will not be saved.

Help display

With some menus, Help appears along the bottom line of the display.

- Touch the Help sensor to display the text.
- Touch the Close sensor to return to the previous screen.

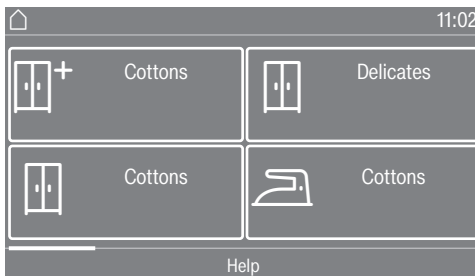
Operating the tumble dryer

Operating a launderette machine

The entry menu will vary depending on the programming status (see “Controls” under “Supervisor level”).

Shortcuts are the easiest way to operate the machine. Operating staff are unable to change pre-set programmes.

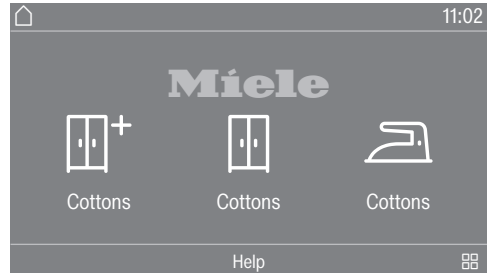
Launderette, basic




A maximum of 12 and a minimum of 4 programmes can be selected.

Depending on the setting at Supervisor level, the programmes can be displayed with or without a border.







Launderette Logo



The first 3 programmes can be selected directly. Up to 9 more programmes can be selected from the list .

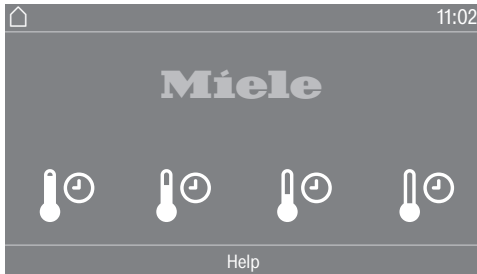
Symbols in the display

Drying levels

- + Extra dry
- + Normal plus
-  Normal
-  Hand iron plus
-  Hand iron
-  Machine iron

Operating the tumble dryer

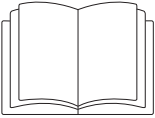
Laundrette Logo int. time / Laundrette Logo ext. time



4 time programmes with different temperature levels are available for selection.

- 🌡️🕒 Temperature level cold
- 🌡️🕒 Temperature level low
- 🌡️🕒 Temperature level medium
- 🌡️🕒 Temperature level high

Laundrette Logo ext. time: the tumble dryer only functions correctly when it is provided with external time information by an external unit.



⚠ Risk of injury or damage to property due to improper installation.

Incorrect installation of the tumble dryer can lead to personal injury or damage to property.

Before commissioning the tumble dryer for the first time, make sure it has been installed and connected correctly. Please observe the instructions in “Installation”, and “Installation of the ducting”.

Follow all the steps required for initial commissioning.

During the commissioning process, you will need to define the settings for daily use of the tumble dryer. Some of the settings can only be configured during the initial commissioning process. After that, they must be changed by Miele Service.

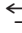
These settings are also described under “Supervisor level”.

Switch on the tumble dryer

- Press the  control.

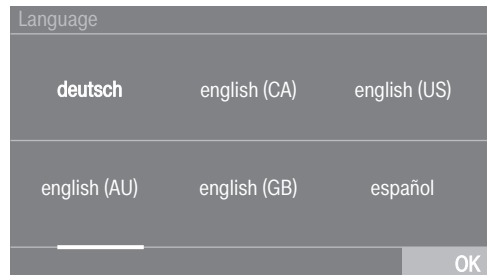
The welcome screen will light up.

Tip: During initial commissioning, you can go back to the previous screen if you need to correct an entry you have already made.

- Touch the  sensor control to return to the previous screen.

Setting the language

You will be asked to select the language you require for the display. You can change the language at any time (see “Language” under “Supervisor level”).



- Scroll to the left or the right until the language you want appears.
- Touch the sensor for the language you want.

The selected language will be highlighted in orange and the display will change to the next setting.

Initial commissioning

Reference to external appliances

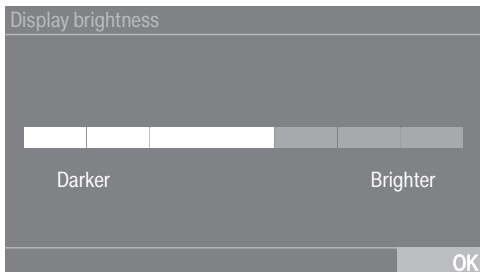
A reference to external hardware appears.

- Confirm with the OK sensor control.

Connect the XCI box or XCI-AD accessory unit before using the appliance for the first time. Alternatively, slide a communication module into the slot on the back of the tumble dryer. The tumble dryer must be disconnected from the mains for this process. Then start the commissioning process.

Setting the display brightness

You will be asked to select the brightness of the display.



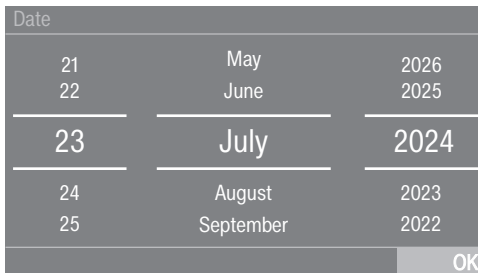
- Touch the segment bars until you reach the required level of brightness.

The selected brightness level will be highlighted orange.

- Confirm with OK.

The display will change to the next setting.

Setting the date



- Place your finger on the value that you want to change and move your finger in the direction you want.
- Once all values have been selected, confirm with the OK sensor.

The display will change to the next setting.

Confirming the time request

The following question appears in the display:

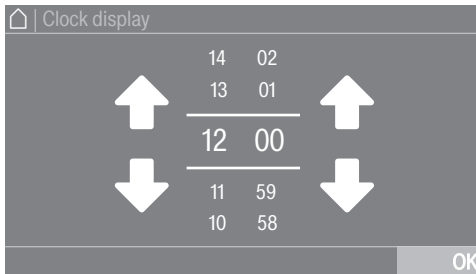
Should the time of day display not be shown?

- Touch the Yes or No sensor control.

If you select Yes, the system will skip the Clock display setting.

If you select No, the display will switch to the Clock display setting.

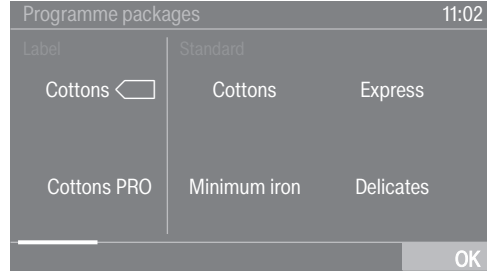
Setting the time of day



- Place your finger on the number that you want to change and move your finger in the direction you want.
- Confirm with the OK sensor.

The display will change to the next setting.

Selecting programme packages



- Scroll right until you reach a programme that is not marked in orange.
- Touch the sensor for the required programme.

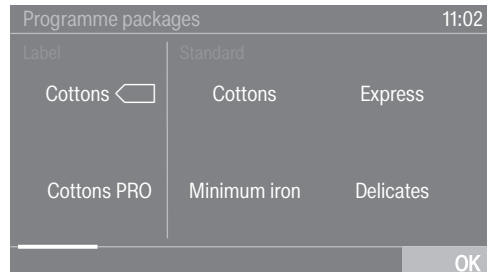
The selected programme is marked in orange; this means that the programme is active.

- You can select further programmes.

Tip: You can disable a selected programme by touching the programme's sensor again.

- If you do not want to select any more programmes, confirm with OK.

The display will change to the next setting.




- Scroll right until you reach a programme that is not marked in orange.
- Touch the sensor for the required programme.

Initial commissioning

The selected programme is marked in orange; this means that the programme is active.

■ You can select further programmes.

Tip: You can disable a selected programme by touching the programme's sensor again.

Exception: The programmes Cottons  and Cottons Pro cannot be disabled.

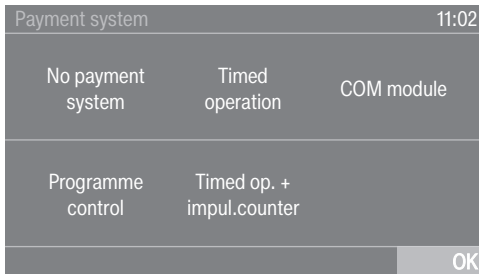
■ If you do not want to select any more programmes, confirm with OK.

The display will change to the next setting.

Setting up a payment system

If you wish to set up a payment system, read the “Payment system” section of the “Supervisor level” chapter. These settings can only be changed during the initial commissioning process. If you wish to change the settings after the commissioning process, please contact Miele Service.

If you do not wish to set up a payment system, you can skip this stage.




- Touch the No payment system sensor.

The display will change to the next setting.

Completing the commissioning process

To complete the commissioning process, you must run the Commissioning programme through to the end.

The programme takes 20 minutes to complete and must run with an empty drum.

If the mains supply is interrupted (or the appliance is shut down by pressing  before or during the Commissioning programme, commissioning will be cancelled. If this happens, the initial commissioning process must be repeated.

- Confirm with the OK sensor control.



- Touch the flashing *Start/Stop* sensor control.
- Once the programme has finished, switch the tumble dryer off briefly and then switch it back on again.


Commissioning is complete and the tumble dryer is ready for drying.

1. Notes on correct laundry care

Washing


- Heavily soiled laundry must be washed particularly thoroughly. Use sufficient detergent and select a high temperature. If in doubt, wash the items several times.
- New, coloured items must be washed thoroughly and separately. Do not dry these items with light coloured garments. There is the risk of colours running and discolouring other garments or even plastic components in the tumble dryer. Dark coloured fluff can also settle on light coloured garments and vice versa.

Drying

 Damage due to foreign objects which were not removed from the laundry.

Foreign objects can melt, burn, or explode.






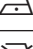

Ensure that any foreign objects, e.g. detergent dispensing balls, lighters, etc., have been removed from the laundry.

 Risk of fire due to incorrect use and operation.

The laundry can burn and destroy the tumble dryer and the surroundings. See the section on “Warning and safety” for further information.

- Check seams and stitching to ensure that the items are intact. This way you will avoid the danger of fillings coming out and causing a fire.
- Sew in or remove underwiring from bras.

Care label symbols

Drying	
	Normal/higher temperature
	Low temperature*
* Select the extra option <i>Low temperature</i> .	
	Do not tumble dry
Ironing	
	Very hot
	Hot
	Warm
	Do not iron

2. Load the tumble dryer

Loading the laundry

Preventing textile damage.
Before loading, read chapter “1.
Notes on correct laundry care.”

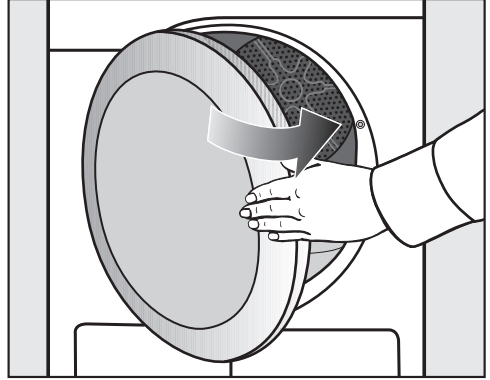


- Open the door.
- Load the laundry.

Preventing textile damage.
When closing the door, make sure
that laundry does not get trapped in
the door opening.

Do not overload the drum. Overloading
can cause unnecessary wear and tear
to the laundry and and cause a disap-
pointing drying result. It can also cause
more creasing.

Closing the door



- Shut the door with a gentle swing.

3. Selecting a programme

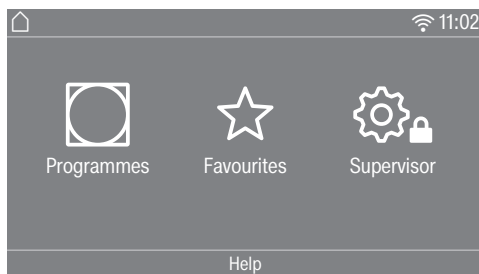
Switch on the tumble dryer

- Press the ⓘ control.

The drum lighting will come on.

The drum lighting will automatically go out after a few minutes and/or after the start of a programme to save energy.

Selecting a programme



There are different ways to select a programme.

- Touch the □ Programmes sensor.



- Scroll to the right in the display until the programme you want appears.
- Touch the sensor for that programme.

The display will change to the standard menu for that drying programme.

Alternatively, you can select a programme via: ☆ Favourites*.

* The preset programmes under Favourites cannot be changed.

- Touch the ☆ Favourites sensor control.

The programmes will appear in the display. Symbols representing the preset parameters (drying level, extra options or times) are displayed underneath the names of the programmes.



- Scroll to the right in the display until the programme you want appears.
- Touch the sensor control for that programme.

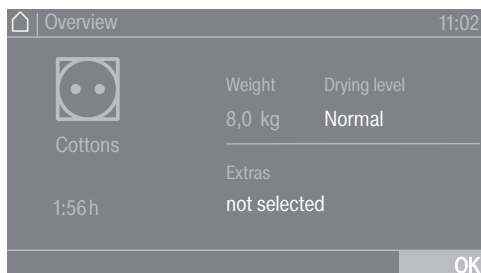
The display will change to the standard menu for that drying programme.

4. Selecting programme settings

Main menu for a programme

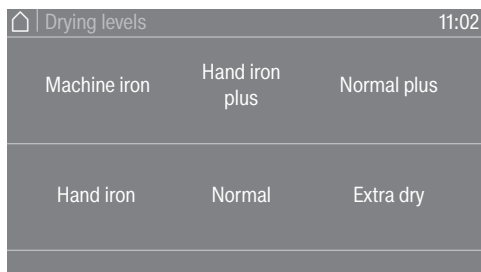
Select the drying level

With many programmes, you can change the preset drying level. Depending on the programme, you can select different drying levels.



- Touch the Drying level sensor.

The drying level selection menu opens.



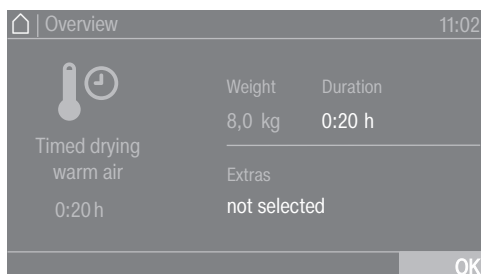
- Touch the sensor for the drying level you want.

Selecting the duration (timed programmes)

You can select the programme duration yourself.*

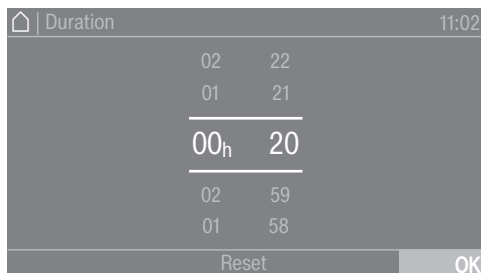
* The time frame for the selected programme duration can be limited by Miele Service.

- Timed drying warm air = 0:10–2:00 hours
- Timed drying cool air = 0:10–2:00 hours
- Basket programme/Basket -Low temperature = 0:20–1:30 hours
- Timed drying hygiene = 0:50–2:00 hours



- Touch the Duration sensor.

The duration setting menu opens.

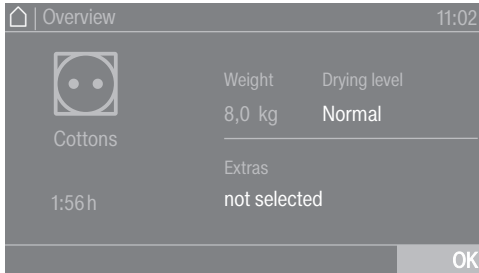


- Select a duration.
- Only press OK when the extra appears on the display.

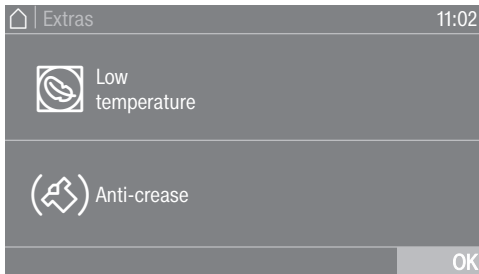
4. Selecting programme settings

Selecting extra options


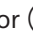
The drying programmes can be augmented with various extra options.



- Touch the Extras sensor.




- Touch the sensor for the extra you require.
- Only press OK when the extra appears on the display.

The relevant symbol for the required extra  or  lights up.

Not all extras can be selected with every programme, only those programmes for which it makes sense.

Low temperature

Delicate fabric (with the  symbol on the care label, e.g. acrylic garments) is dried at a lower temperature. The programme duration is also longer.

Anti-crease

After the programme has finished, the drum will continue to rotate in a certain rhythm, depending on the selected programme. This helps to prevent creasing after the programme has ended.

The anti-crease function is switched off as the factory default setting. It can be switched on in the supervisor level with a variable duration of up to 12 hours.

5. Starting the programme

Payment systems

Tip: If your machine is connected to a payment system, the amount of payment required will appear in the display.

Once the programme has started, do not open the door or cancel the programme.
Depending on the settings, money may be lost in the payment system.

Starting the programme

The programme can be started as soon as the *Start/Stop* sensor is flashing on and off.

■ Touch the *Start/Stop* sensor.

If a delay start period has been selected, this will appear in the display.

Once the delay start period has elapsed (if applied), the programme duration will appear in the display; otherwise, the duration will appear straight away. The programme sequence is also shown in the display.

Tip: In the pull-down menu, you can view the selected drying level or duration and the selected extras.

Programme duration/Estimated time remaining

The programme duration depends on the quantity of laundry, the type of fabric and the residual moisture in the laundry or also the water hardness. The running time for drying level programmes can therefore vary or “jump”. The tumble dryer's electronic control system adapts to these factors and then adjusts the displayed programme duration with increasing accuracy.

6. End of programme – unloading the drum

End of programme

The laundry will be cooled down shortly before the end of the programme. The laundry can be unloaded.

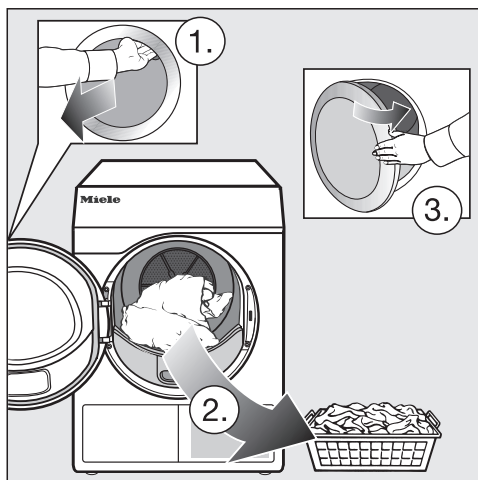
- Finish lights up

If *Anti-crease* (🌀)* was selected, the drum will rotate in intervals. This minimises creasing if the laundry cannot be removed from the machine immediately.

* The anti-crease function is deactivated as standard.

The tumble dryer will switch off automatically 15 minutes after the end of a programme.

Unloading the drum



- Open the door.
- Remove everything from the drum.

Items left in the tumble dryer could be damaged by overdrying when the tumble dryer is used the next time. Always remove all items from the drum.

- Switch the tumble dryer off.

Observe any maintenance notes


This tumble dryer requires regular maintenance, particularly if it is used on a continuous basis.

Tip: Please see “Cleaning and care” for details. In that chapter, start by reading the section “When to clean”.

The Delay start must be activated in the Supervisor level so that the timer can be selected.



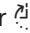
Before the programme starts, the Timer can be used to select a programme start time or programme end time.

Setting the timer

- Touch the  timer sensor.
- Select the option Finish at, Start in or Start at.
- Set the hours and the minutes with the OK sensor.



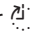
Changing the timer

The selected delay start time period can be changed before the programme start.

- Touch the ,  or  sensor.
- If required, change the specified time and confirm with the OK sensor.

Deleting the timer

The selected delay start period can be cancelled before the programme starts.

- Touch the ,  or  sensor.

The selected delay start period will appear in the display.

- Touch the Delete sensor.
- Confirm with the OK sensor.

The selected delay start period is deleted.

Starting the timer

- Touch the *Start/Stop* sensor.

The door will lock and the time until the programme starts will appear in the display.

After the programme has started, the selected delay start period can only be changed by interrupting the programme.



The programme can be started immediately at any time.

- Touch the Start immediately sensor.

Programme overview

All weights marked with * are based on the weight of dry laundry.


Label

Cottons Eco 		Max. load 8 kg*
Items	Cotton items such as those described under <i>Cottons Normal</i> with normal residual moisture.	
Note	<ul style="list-style-type: none">- Items are dried to a <i>Normal</i> level only in this programme.- The <i>Cottons</i>  programme is the most energy-efficient for drying cotton items with normal residual moisture levels.	
Note for test institutes	Test programme in accordance with Regulation 392/2012/EU, measured in accordance with EN 61121.	
Cottons PRO		Max. load 8 kg*
Items	Cotton items such as those described under <i>Cottons Normal</i> with normal residual moisture.	
Note	Items are dried to a <i>Normal</i> level only in this programme.	

Programme packages

You can select various programmes from the programme packages. The programmes will appear in the programme list.

Standard

Cottons		Max. load 8 kg*
Extra dry, Normal plus, Normal		
Items	<ul style="list-style-type: none"> - Single and multi-layered cotton items. - Towelling, T-shirts, underwear, jersey bed linen, baby clothes. - Workwear, jackets, cotton blankets, aprons, tea towels, bed linen, towels, overalls, boil-proof table linen. 	
Note	<ul style="list-style-type: none"> - Select <i>Extra dry</i> for multi-layered and very thick fabrics. - Do not use <i>Extra dry</i> for jersey fabrics (e.g. T-shirts, underwear, baby clothes) because they can shrink. 	
Hand iron plus, Hand iron, Machine iron		
Items	<ul style="list-style-type: none"> - Cotton and linen fabric. - Table linen, bed linen, starched laundry. 	
Tip	To prevent laundry from drying out, it should be rolled up until you are ready for ironing.	
Minimum iron		Max. load 4 kg*
Normal plus, Normal, Hand iron		
Items	<ul style="list-style-type: none"> - Minimum iron fabrics made of synthetic, cotton or mixed fibre. - Workwear, overalls, tops, dresses, trousers, table linen, tights. 	
Note	 is automatically selected.	
Express		Max. load 4 kg*
Extra dry, Normal plus, Normal, Hand iron plus, Hand iron, Machine iron		
Items	Garments suitable for the <i>Cottons</i> programme	
Note	Shorter programme duration	

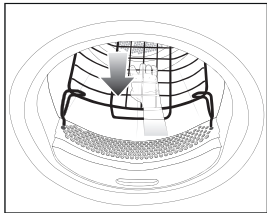
Programme overview

Delicates		Max. load 4 kg*
Normal plus, Normal, Hand iron plus		
Use for	<ul style="list-style-type: none"> - Delicate synthetic, cotton or mixed fibre fabrics. - Lightweight pullovers, dresses, trousers, overalls, table cloths, shirts and blouses. - Lingerie and appliquéd fabrics. 	
Note	Less creasing occurs in this programme.	
Tip	Reducing the load will reduce creasing even further.	
Shirts		Max. load 2 kg*
Normal, Hand iron plus		
Use for	Shirts and blouses.	
Denim		Max. load 3.5 kg*
Normal, Hand iron plus		
Use for	Denim garments, e.g. jeans, jackets, skirts, shirts.	
Woollens		Max. load 2 kg*
Items	Woollen garments and fabric containing wool blends, e.g. pullovers, cardigans, tights.	
Note	<ul style="list-style-type: none"> - Wool and wool blend items are only fluffed up for a short time; they are not dried completely. - Remove garments as soon as the programme has finished and leave to finish drying at room temperature. 	
Silks		Max. load 1 kg*
Use for	Silk garments which are suitable for tumble drying, e.g. blouses and shirts	
Note	<ul style="list-style-type: none"> - Programme for reduced creasing. - Items are not dried completely in this programme. - Remove the garments as soon as the programme has finished. 	
Towelling		Max. load 8 kg*
Use for	Large quantities of single-layered and multi-layered towelling items. These include, for example, towels, bath robes, face flannels, flannel bed linen.	
Note	Items are dried to a <i>Normal plus</i> level only in this programme.	

Programme overview

Smoothing		Max. load 1 kg*
Use for	<ul style="list-style-type: none"> - Cotton and linen fabrics. - Minimum iron items made of cotton, synthetics or mixed fibres, e.g. trousers, jackets, shirts. 	
Note	<ul style="list-style-type: none"> - Smooths out creasing caused during the spin cycle in the washing machine. - Items are not dried completely. - For extra gentle smoothing, select the <i>Low temperature</i> extra option. - Remove garments as soon as the programme has finished and leave to finish drying on a line or hangers. 	
Automatic plus		Max. load 5 kg*
Normal plus, Normal, Hand iron plus		
Use for	Mixed loads of garments suitable for the <i>Cottons</i> and <i>Minimum iron</i> programmes.	
Microfibre		Max. load 7 kg*
Normal plus, Normal		
Use for	Microfibre mops and cleaning cloths.	
Timed drying – warm air		Max. load 8 kg*
Items	<ul style="list-style-type: none"> - Jackets, pillows, sleeping bags and other padded items. - Multi-layered textiles such as thick cotton tablecloths. - Individual items, e.g. bath towels, swimwear and tea-towels. 	
Note	<ul style="list-style-type: none"> - For finishing off multi-layered fabrics or padded garments that have dried unevenly. - For drying a few items or individual garments. - Do not select the longest drying time to start with. Check the items as you are drying them to find the optimum time. 	
Timed drying – cool air		Max. load 8 kg*
Items	Any item which only needs airing.	

Programme overview

Basket programme	Basket load 3.5 kg
Basket programme, Low temperature	Basket load 3.5 kg
Fabrics/ items	<ul style="list-style-type: none">- You must follow the operating instructions for the dryer basket.- These programmes must only be used to dry or air items which are suitable for drying in a tumble dryer but which are not suitable for drying using mechanical action.
Note	<ul style="list-style-type: none">- These programmes may only be used with the Miele dryer basket (optional accessory).- A satisfactory drying result cannot be achieved without the dryer basket.- Select <i>Basket Low temperature</i> for temperature-sensitive items.- Make sure that the item (bag, boot, etc.) does not touch the drum: the tumble dryer drum will rotate, causing damage to the tumble dryer basket and drum if it is incorrectly loaded. See the operating instructions supplied with the dryer basket for further information.- You must follow the operating instructions for the dryer basket.  A technical diagram showing a Miele dryer basket positioned inside a circular drum. A large downward-pointing arrow is centered over the basket, indicating that items should be placed inside the basket and not directly on the drum. The basket is shown with its characteristic grid structure and a central support.

Sport

Sportswear		Max. load 3 kg*
Use for	Sportswear that is suitable for drying in a tumble dryer.	
Note	Items are dried to a <i>Normal</i> level only in this programme.	
Outerwear		Max. load 2.5 kg*
Normal, Hand iron plus		
Use for	Outerwear which is suitable for tumble drying.	
Proofing		Max. load 2.5 kg*
Textiles	Microfibre fabrics, skiwear, outdoor wear, fine, close-weave cotton garments (poplin), and table linen which are suitable for drying in a tumble dryer.	
Note	<ul style="list-style-type: none"> - This programme includes an additional proofing fixing phase. - Only use proofing agents that are stated by the manufacturer as being “suitable for use on membrane textiles”. These agents contain fluorochemical compounds. - Do not dry items which have been treated with proofing agents containing paraffin. This substance is a fire risk. - Items are dried to a <i>Normal</i> level only in this programme. 	
Reactivation		Max. load 2.5 kg*
Items	Outerwear which is suitable for tumble drying.	
Note	<ul style="list-style-type: none"> - The drying process revitalises the fibres, which improves the water-repelling effect. - Items are dried to a <i>Normal</i> level only. 	

Programme overview

Soft furnishings

Down bedding		Max. load 2 kg*
Use for	Bedding suitable for tumble drying (duvets or pillows filled with down or feathers).	
Note	Items are dried to a <i>Normal</i> level only in this programme.	
Tip	Feathers have a tendency of developing a strong odour when they are warm. Allow bedding to air outside the tumble dryer after tumble drying.	
Synthetic bedding		Max. load 2 kg*
Items	Bedding suitable for drying in a tumble dryer (duvets or pillows with synthetic fillings).	
Note	Items are dried to a <i>Normal</i> level only in this programme.	
Large items		Max. load 4 kg*
Normal plus, Normal, Hand iron, Machine iron		
Use for	Robust, larger items for the <i>Cottons</i> programme. These include, for example, blankets, multi-layered covers, large voluminous items.	

Hygiene

In the hygiene programmes, items will be dried with a temperature that is constant over an extended period (longer temperature holding time). This kills off micro-organisms such as germs or dust mites and reduces allergens in the laundry.

If a hygiene programme is cancelled early, micro-organisms will not be killed. Do not cancel this programme.

Cottons hygiene		Max. load 4 kg*
Use for	Cotton or linen items that come into direct contact with the skin. These include, for example, underwear, baby clothes, hand towels, bath towels, bathrobes, spa towels and flannels.	
Note	Items are dried to a <i>Normal</i> level only in this programme.	
Minimum iron hygiene		Max. load 4 kg*
Use for	<ul style="list-style-type: none"> - Minimum iron fabrics made of synthetic, cotton or mixed fibre. - Workwear, overalls, pullovers, dresses, trousers, table linen, tights. 	
Note	Items are dried to a <i>Normal</i> level only in this programme.	
Timed drying hygiene		Max. load 4 kg*
Items	<ul style="list-style-type: none"> - Jackets, pillows, sleeping bags and other padded items. - Multi-layered textiles such as thick cotton tablecloths. - Individual items, e.g. bath towels, swimwear and tea-towels. 	
Note	<ul style="list-style-type: none"> - For finishing off multi-layered fabrics or padded garments that have dried unevenly. - For drying a few items or individual garments. - Do not select the longest drying time to start with. Check the items as you are drying them to find the optimum time. 	

Programme overview

WetCare

WetCare Sensitive		Max. load 2.5 kg*
Items	Non-washable outerwear	
Note	The garment is briefly dried and fluffed up	
WetCare Silks		Max. load 2.5 kg*
Normal, Hand iron plus, Hand iron		
Items	Non-washable silk garments which crease easily	
WetCare Intensive		Max. load 2.5 kg*
Normal, Hand iron, Hand iron plus, Machine iron		
Use for	Washable outerwear	

Flatwork

Cottons 40 % residual moisture		Max. load 8 kg*
Cottons 25 % residual moisture		Max. load 8 kg*
Minimum iron 20 % residual moisture		Max. load 4 kg*
Items	<ul style="list-style-type: none">- Hotel, care home or hospital laundry that requires further processing (hand ironing, machine ironing, folding).- This includes cottons/coloureds and minimum iron fabrics, such as bedding and table linen or towels.	
Note	<ul style="list-style-type: none">- The residual moisture is absorbed by the fabric fibres, which makes them easier to smooth.- These programmes only dry to <i>Machine iron</i>.	
Tip	<ul style="list-style-type: none">- To prevent laundry from drying out, it should be rolled up until you are ready for ironing.- Shake the laundry before ironing.	

Special programmes

You can put together five special programmes and assign your own programme names. Enter these into the tables.

Load: maximum 8 kg (weight of dry items)

Example

[Special programme 1] Dry+	
Res. moisture programme	
- Final residual moisture :	- 6 %
- Extra drying time :	30 min
- Temperature :	60 °C

(1)
-
-
-
-
-
-
-

(2)
-
-
-
-
-
-
-

(3)
-
-
-
-
-
-
-

(4)
-
-
-
-
-
-
-

(5)
-
-
-
-
-
-
-

Changing the programme sequence


Payment systems

Opening the door or cancelling the programme after it has started may cause a loss of credit (depending on how the tumble dryer was set up*).

* Either during the commissioning process or subsequently, a Miele service technician can reset the payment system so that programming changes can be made.

Changing a programme once it has started

You cannot change to another programme once a programme has started (this prevents unintentional alterations). You will need to cancel the current programme before you can select a new one.

 Risk of fire due to incorrect use and operation.

The laundry can burn and destroy the tumble dryer and the surroundings. See the section on “Warning and safety” for further information.

Cancelling a programme

- Touch the *Start/Stop* sensor control.

A message will appear in the display asking if you wish to cancel the programme.


- Touch the *Yes* sensor control.

Reselecting a cancelled programme

- Open and close the door.
- Select and start a new programme.


Adding laundry

- Open the door.

 Risk of burns by touching hot laundry in the drum. You could burn yourself. Let the laundry cool down and remove it carefully.

- Add items.
- Close the door.
- Start the programme.

Interruption to the power supply

If the power supply is interrupted because the tumble dryer has been switched off with the button :

- Switch the tumble dryer on.
- Touch the *Start/Stop* sensor control.

If the power supply is interrupted by a power cut:

- When power is restored, confirm with *OK*.
- Touch the *Start/Stop* sensor control.

Time remaining

Altering the programme sequence can cause adjustments in the h min time remaining display.

When to clean

A two-piece fluff filter in the air supply area collects all fluff generated during the drying process.

Failure to clean the filter regularly could increase drying times.

⚠ Fire hazard due to irregular maintenance.

Too many fluff deposits in the fluff filter and tumble dryer will result in a risk of fire.

Check the fluff filter and air duct area on a regular basis. Always clean the filter if you find any fluff deposits.

⚠ Damage caused by a missing or damaged fluff filter.

Too many fluff deposits in the fluff filter and tumble dryer will result in a risk of appliance malfunctions and a risk of fire.

Never use the tumble dryer without the fluff filter. Always replace a damaged fluff filter immediately.

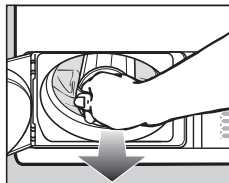
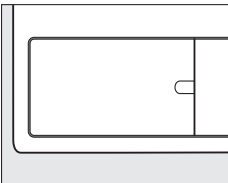
Always clean the appliance whenever prompted to do so in the display. Various messages can be displayed:

Clean the filters.

Clean the fluff filter and rinse the plinth filter.

Rinse the fluff filter and the plinth filter.

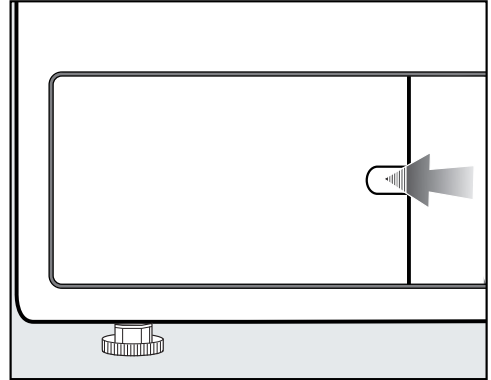
Check the airways.



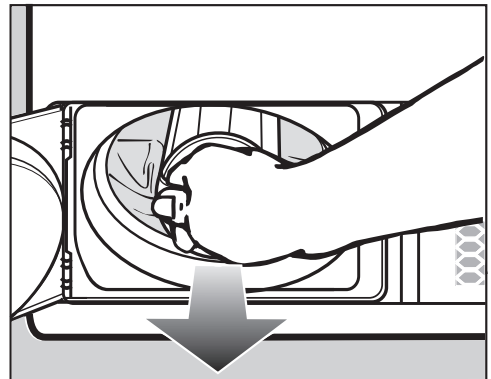
- To delete the message: open the fluff filter flap for at least 10 seconds while the tumble dryer is switched on.
- You might have to confirm with OK.

Cleaning the fluff filters

Removing the fluff filter



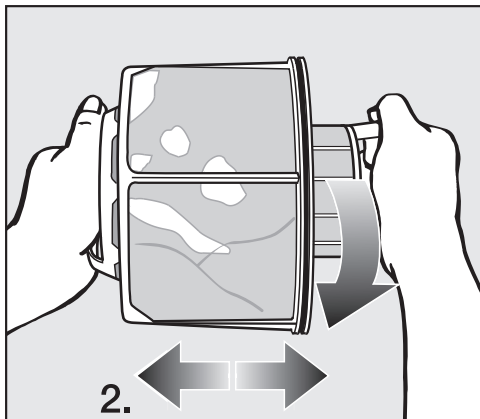
- Reach behind the catch with your finger.
- Open the fluff filter flap.



- Use the handle to pull out the fluff filter.

Cleaning and care

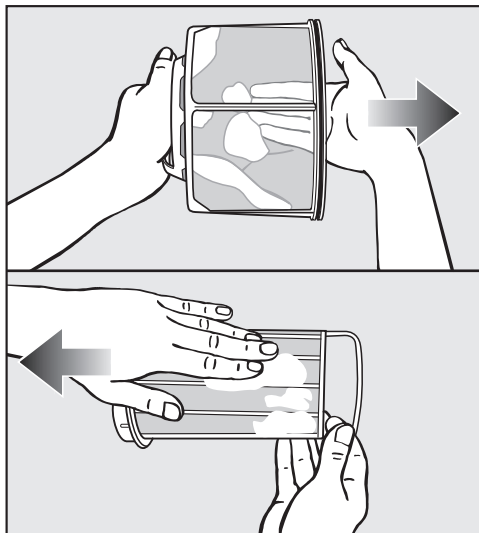
Dismantling the fluff filter



- Hold onto both handles on the fluff filter.
- Turn the inner section of the fluff filter anti-clockwise (1) slightly until you feel it engage.
- Pull apart the two parts of the fluff filter (2).

Cleaning the fluff filter components when dry

Tip: Use a vacuum cleaner to achieve the best possible cleaning results.



- Use your fingers or a vacuum cleaner to wipe fluff off the filter.

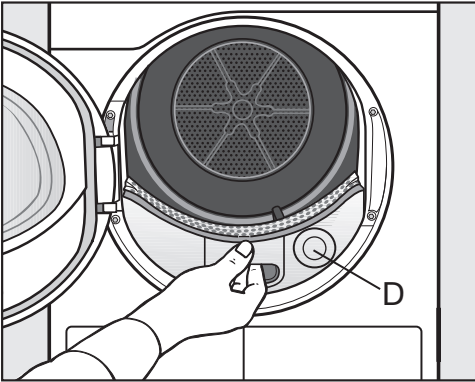
Cleaning the fluff filter components when wet

If there is a lot of compacted fluff on the fluff filter components, you should also clean them under warm running water.

If the fluff filter is wet, it could cause operational faults. Shake both parts thoroughly and then dry them carefully.

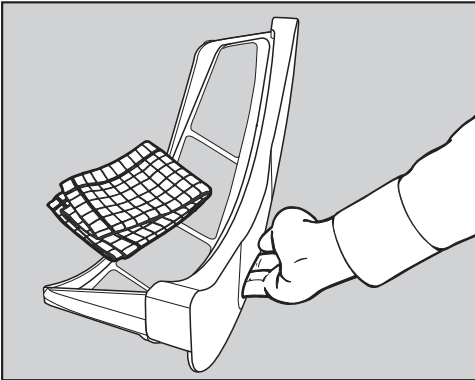
Cleaning the air supply area

- Open the door.

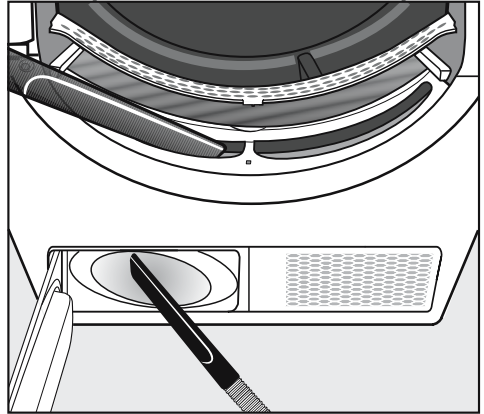


The round lid (**D**) serves no purpose and cannot be removed.

- Pull out the cover to the air supply area.

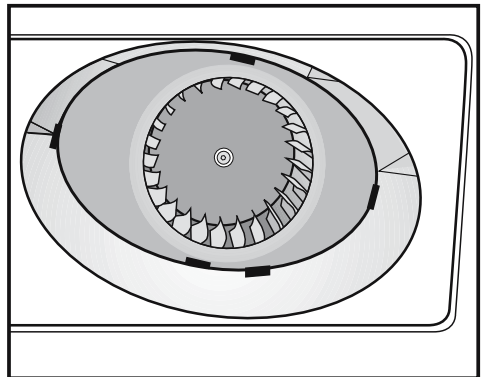


- Use a damp cleaning cloth to clean the cover to the air supply area.
- Place the cover to the air supply area to one side.



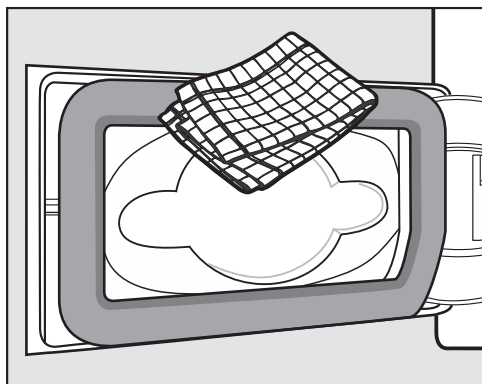
- Fluff can be removed with a vacuum cleaner.

The fan wheel inside the tumble dryer may be clogged with detergent residue and fluff.



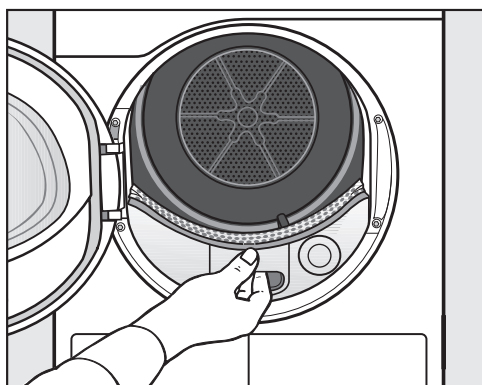
- Carefully remove the following with a damp cleaning cloth
 - ... Deposits on the fan wheel.
 - ... Fluff from the area in front of the fan wheel.

Cleaning and care

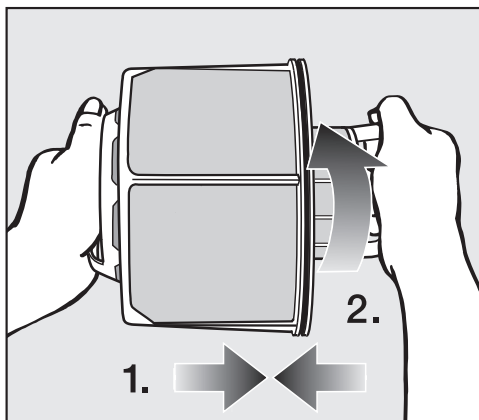


- Use a damp cleaning cloth to remove any fluff. Make sure that you do not damage the rubber seal when doing this.

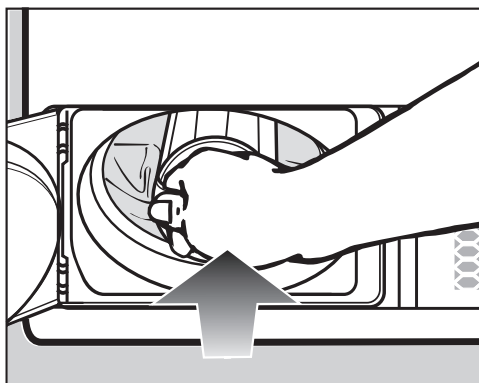
Assembling and fitting the fluff filter



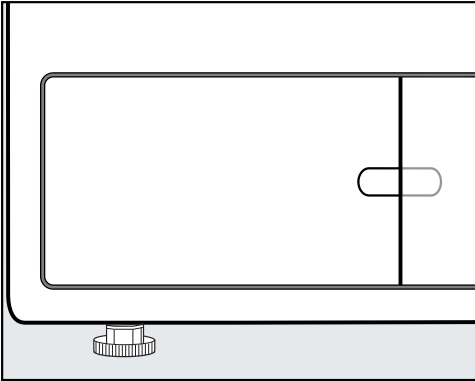
- Slide in the cover to the air supply area.



- Insert the inner fluff filter component into the outer component (1).
- Turn the inner section of the fluff filter clockwise (2) slightly until you feel it engage.

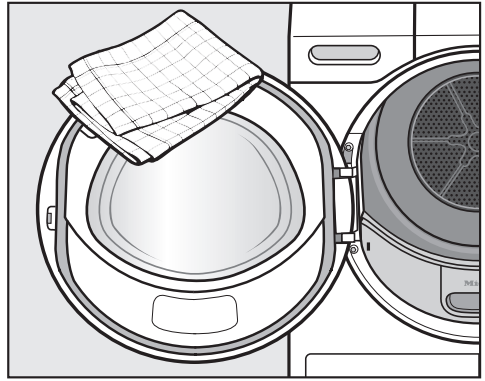


- Slide in the fluff filter until you feel it engage.



- Close the fluff filter flap.


The filter must be inserted and the fluff filter flap must be closed to ensure the system is correctly sealed and that the tumble dryer will function correctly.




- Clean the tumble dryer and the seal on the inside of the door with a slightly damp soft cloth and a mild solution of washing-up liquid and water.
- Dry all parts with a soft cloth.
- The drum and other stainless steel parts can be cleaned with a suitable stainless steel cleaner.

Cleaning the tumble dryer

Disconnect the tumble dryer from the electrical supply.

 Damage caused by the use of unsuitable care products.

Unsuitable care products could damage plastic surfaces and other parts. Do not use any solvents, abrasive cleaners, glass cleaners, or all-purpose cleaners.

 Danger of electric shock caused by water.

There is a risk of electric shock if water runs over or into the tumble dryer. Never spray the tumble dryer with water. Only ever clean the appliance with a slightly damp, soft cloth.



Problem solving guide

Many malfunctions and faults that can occur in daily operation can be easily remedied. You can save time and money in many cases, as you do not need to call the Miele Customer Service Department.



Information to help you rectify faults yourself can be found at www.miele.com/service.

The following tables are designed to help you to find the cause of a malfunction or a fault and to resolve it.

Programme cancellation and fault message in the display

Message	Cause and remedy
 The drum is empty or the laundry is too dry.	<p>In some programmes, if the drum has been under-loaded or is empty, the programme will be cancelled. This can also happen if the items are already dry. This is not a fault or a malfunction.</p> <ul style="list-style-type: none">■ Open the door and check the laundry.■ Add or remove laundry items.■ Close the door.■ Start a drying programme. <p>Dry individual items using the <i>Warm air</i> programme.</p>
 Obstruction detected. Untangle laundry and restart	<p>The laundry is unevenly distributed or has rolled up.</p> <ul style="list-style-type: none">■ Open the door and loosen the laundry. Take out some of the laundry.■ Close the door.■ Start a drying programme.

Problem solving guide

Message	Cause and remedy
 Rinse the fluff filter and the plinth filter. Check the airways.	<p>You have attempted to dry only a few items of varying size.</p> <p>A smaller item has been sucked into the loading area in the door. It is clogging the holes in the laundry deflector.</p> <ul style="list-style-type: none"> ■ To delete the message: touch the OK sensor control. ■ Open the tumble dryer door. ■ Always dry small, individual items together with larger items. ■ Remove the item that is blocking the holes. <p>If you are able to exclude all this, the system has been clogged by fluff or detergent residue.</p> <hr/> <p>The system has been clogged by fluff or detergent residue.</p> <ul style="list-style-type: none"> ■ Clean the fluff filter and air channels. ■ Check the ducting to make sure the drying air can be extracted without any obstructions. <p>Please see “Cleaning and care” for notes on cleaning. Always replace a damaged fluff filter.</p> <ul style="list-style-type: none"> ■ To delete the message: touch the OK sensor control.
 Fault F. If restart fails, call Service	<p>There is no obvious cause for the cancellation of the programme.</p> <ul style="list-style-type: none"> ■ Note the prompt in the display. ■ Touch the OK sensor control. ■ Start a drying programme. <p>If the programme is cancelled again with the same fault message, then there is a fault. Contact the Miele Customer Service Department.</p>

Problem solving guide

Messages in the display

Message	Cause and remedy
i Close the fluff filter compartment	<p>The fluff filter flap for the fluff filter is open.</p> <ul style="list-style-type: none">■ Close the fluff filter flap. <p>The message will go out.</p> <p>Never open the fluff filter flap during active programme operation. Opening the fluff filter flap during active programme operation interrupts the airflow. The programme will also be cancelled. If the airflow is interrupted, the tumble dryer cannot discharge the hot air quickly enough. The tumble dryer can be permanently disabled by this safety feature. If this happens, contact the Miele Customer Service Department.</p>
i Clean the filters	<p>The message lights up after a specific period of time following the end of a programme.</p> <ul style="list-style-type: none">■ Clean the fluff filter.■ Check and clean the air supply area. <p>Please see “Cleaning and care” for notes on cleaning.</p> <ul style="list-style-type: none">■ To delete the message: open the fluff filter flap for at least 10 seconds while the tumble dryer is switched on. <p>You can set an hourly interval for this reminder. The hourly interval depends on how much fluff tends to build up and how often you wish to clean the filter, e.g. for hygiene purposes.</p> <p>See “Cleaning the filters” in “Supervisor level” – “Process technology” for more information.</p>
i Clean the fluff filter and rinse the plinth filter.	<p>This information is displayed at the end of the programme if the tumble dryer is not working correctly or economically.</p> <p>The fluff filters may be clogged.</p> <ul style="list-style-type: none">■ Clean the fluff filter.■ Check and clean the air supply area. <p>Please see “Cleaning and care” for notes on cleaning.</p> <ul style="list-style-type: none">■ To delete the message: open the fluff filter flap for at least 10 seconds while the tumble dryer is switched on.

Problem solving guide

Message	Cause and remedy
i Power outage. Programme stopped	There has been a power outage. ■ After resumption of power, confirm with OK. ■ Touch the <i>Start/Stop</i> sensor control.
Finish/Cool down	There is no fault, but the drying process continues. The laundry is still being cooled. The programme is just about to end. ■ You can remove the laundry and spread it out to cool down or leave it in the tumble dryer to cool down until the end of the programme.

Problem solving guide

Unsatisfactory drying results

Problem	Cause and remedy
The laundry is not sufficiently dry.	The load consisted of different types of fabric. ■ Finish drying using the <i>Timed drying warm air</i> programme.
Large items of laundry have rolled up, causing a problem. The individual items of laundry are still damp.	The laundry could not be disentangled in the programme you selected. Smaller items have rolled up into one. ■ Disentangle the laundry. ■ Select the <i>Large items</i> programme.
	If the <i>Large items</i> programme does not appear in the display for selection, you can activate it subsequently. How to activate a programme subsequently is described in “Supervisor level” – “Opening the Supervisor level” and “Programme selection/Programme packages”.
Laundry or feather filled pillows smell after drying.	The laundry was washed with insufficient detergent Feathers are a natural product and this is quite normal. ■ Laundry: use sufficient detergent next time. ■ Allow feather pillows to air after tumble drying.
Items made of synthetic fibres are charged with static electricity after drying.	Synthetic fibres tend to attract static charge. ■ Static charge can be reduced by adding a fabric conditioner to the final rinse in the washing programme or a fabric conditioner sheet to the load when drying.
There is a build-up of fluff.	Fluff is principally the result of friction when garments are being worn and to some extent when they are being washed. Machine drying hardly causes any fluff to form and has no appreciable effect on the lifetime of the fabric. Fluff is collected by the fluff filters and fine filter and can be easily removed ■ (see “Cleaning and care”).


The drying cycle duration is very long

Problem	Cause and remedy
The drying process goes on too long or even switches off.*	<p>In some circumstances, you may be asked to clean the air channels/filters.</p> <ul style="list-style-type: none"> ■ Check for all of the possible causes described below.
	<p>Detergent residues, hair and fine fluff can clog the filters.</p> <ul style="list-style-type: none"> ■ Clean the fluff filter (see “Cleaning and care”). ■ Clean the air supply area. ■ You can remove the cover in the loading area to clean the air supply area underneath.
	<p>The ducting or its openings are clogged with hair or fluff, for example.</p> <ul style="list-style-type: none"> ■ Check and clean all components in the ducting (e.g. wall pipe, external grille, bends, elbows, etc.).
	<p>The air supply situation is not adequate in small, un-ventilated rooms.</p> <ul style="list-style-type: none"> ■ While drying, open the door or window for ventilation.
	<p>The laundry is too damp.</p> <ul style="list-style-type: none"> ■ Spin using a higher spin speed in the washing machine.
	<p>The drum is too full.</p> <ul style="list-style-type: none"> ■ Do not exceed the maximum load for the programme selected.
	<p>Metallic components, e.g. zippers, have prevented the tumble dryer from registering the correct moisture level.</p> <ul style="list-style-type: none"> ■ Open any zips next time. ■ If the problem recurs, dry these items using the <i>Timed drying warm air</i> programme.

* Switch the tumble dryer off; wait a short while before starting a new programme.

Problem solving guide

General problems with the tumble dryer

Problem	Cause and remedy
Condensation is forming in the drum.	<p>The tumble dryer is installed on a shared exhaust air duct.</p> <ul style="list-style-type: none">■ The tumble dryer must always be installed with a non-return flap when using a shared exhaust air duct.■ Check the non-return flap for possible defects on a regular basis and replace the flap if necessary.
The drum lighting does not come on.	<p>To save energy, the drum lighting goes out automatically after a set time and after the programme starts.</p> <ul style="list-style-type: none">■ Switch the tumble dryer off and then on again.■ To switch the drum lighting on, open the door of the tumble dryer. <p>The drum lighting is faulty. The drum lighting is designed to last a long time and should not normally need to be replaced.</p> <ul style="list-style-type: none">■ If you have tried everything but the drum lighting still does not come on, contact the Miele Customer Service Department.
The display is in a different language.	<p>A different language has been selected.</p> <ul style="list-style-type: none">■ Set the language you want. The flag symbol  will guide you.

Contact in the event of a fault

In the event of any faults which you cannot remedy yourself, please contact your Miele dealer or the Miele Customer Service Department.

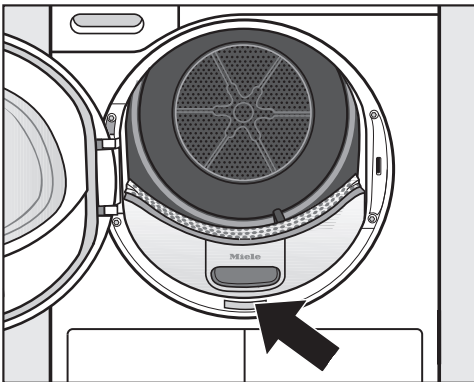
You can book a Miele Customer Service Department call-out online at www.miele.com/service.

Contact information for the Miele Customer Service Department can be found at the end of this document.

Please quote the model identifier and serial number of your appliance (Fabr./SN/Nr.) when contacting the Miele Customer Service Department. This information can be found on the data plate.

Please note that telephone calls may be monitored and recorded for training purposes and that a call-out charge will be applied to service visits where the problem could have been resolved as described in this booklet.

Open the door of your tumble dryer to find the data plate:

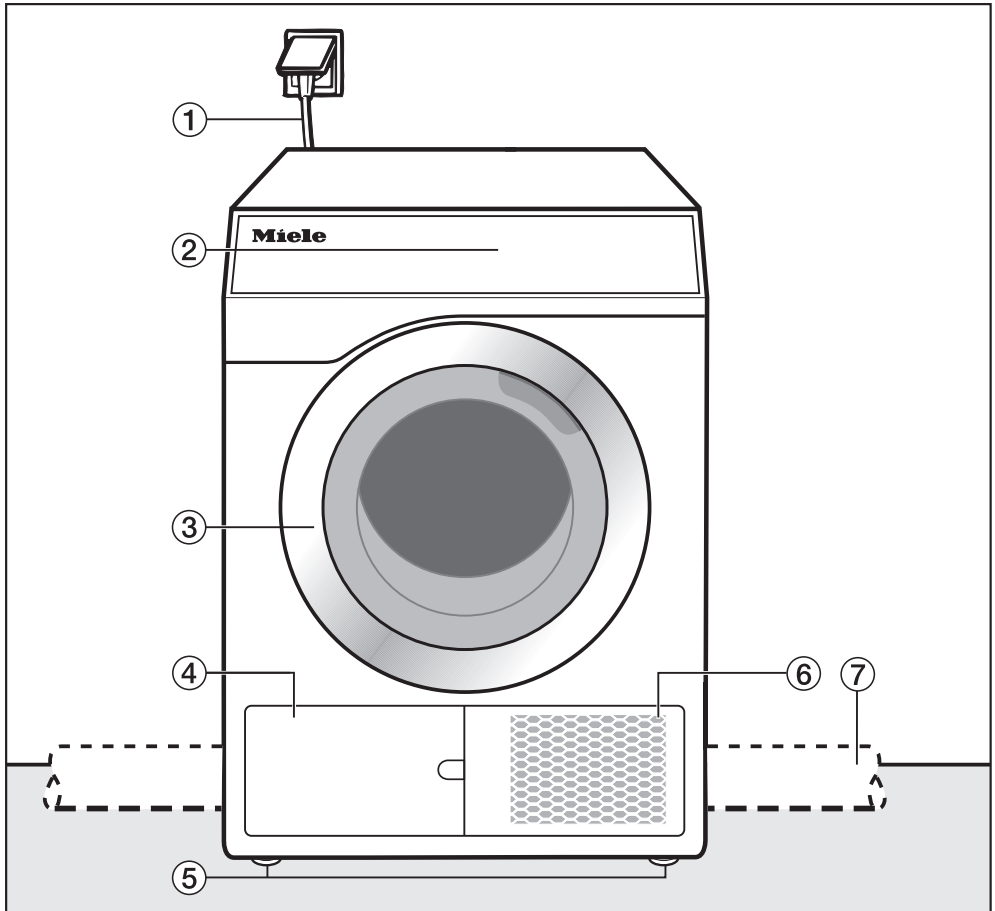


Optional accessories

Optional accessories for this tumble dryer are available from your Miele Dealer or from the Miele Spare Parts Department.

Installation

Front view



① Mains connection cable

② Control panel

③ Door

④ Fluff filter

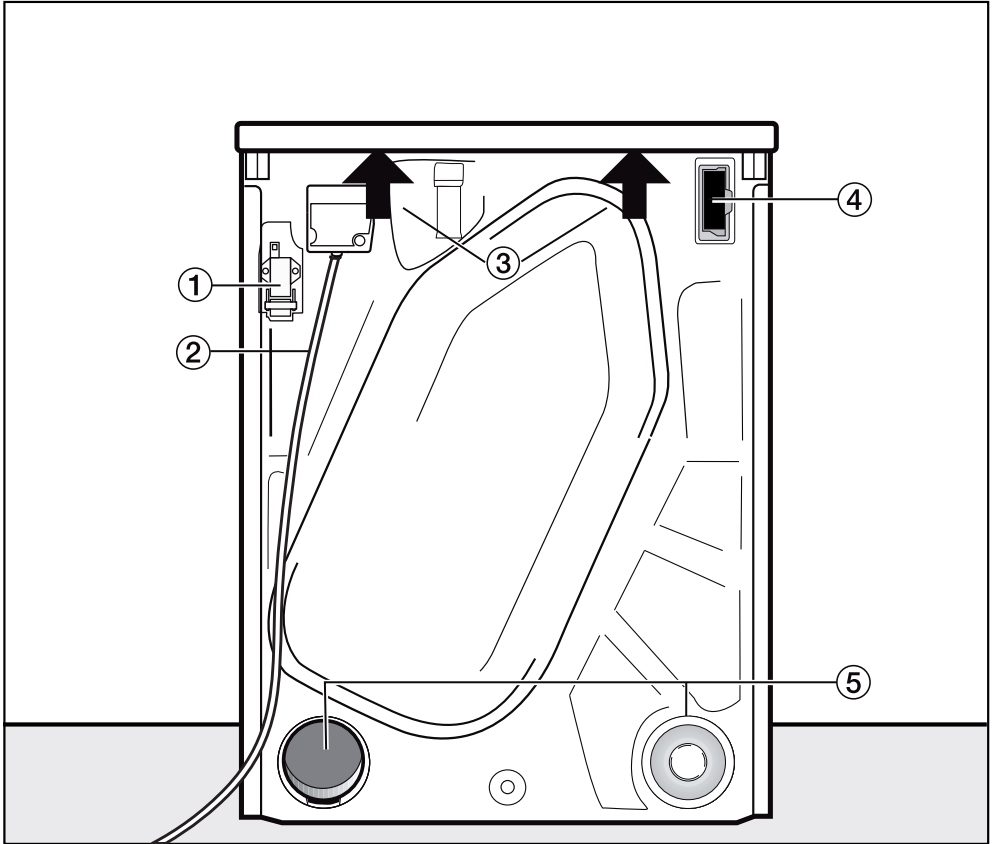
Do not open the cover during active programme operation. Only open it if you are prompted to do so by a message in the display. Otherwise a technical fault can occur.

⑤ 4 height-adjustable screw feet

⑥ Intake for air cooling

⑦ On-site ducting (installed on the right or left-hand side)

Rear view



- ① Interface for communicating with external devices
- ② Mains connection cable
- ③ Recesses under the protruding lid for transporting the appliance
- ④ Module slot (for external communication module)
- ⑤ Exhaust air connections
 - Any exhaust air connections not in use must be sealed with a cap.

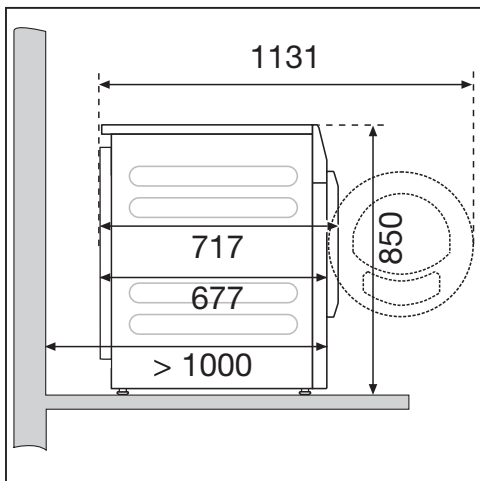
Installation

Locations

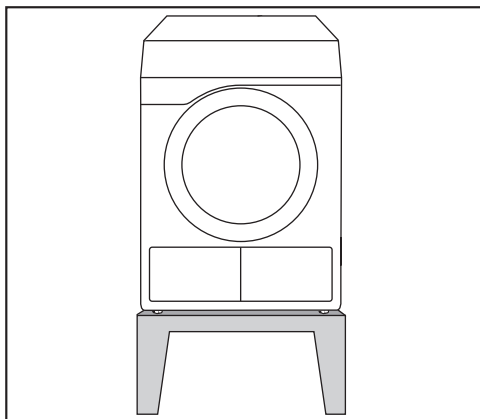
All measurements are in mm.

The distances between the machine and the wall are recommendations to help make it easier to carry out service work. If installation space is limited, the machine can also be pushed up against the wall.

Side view

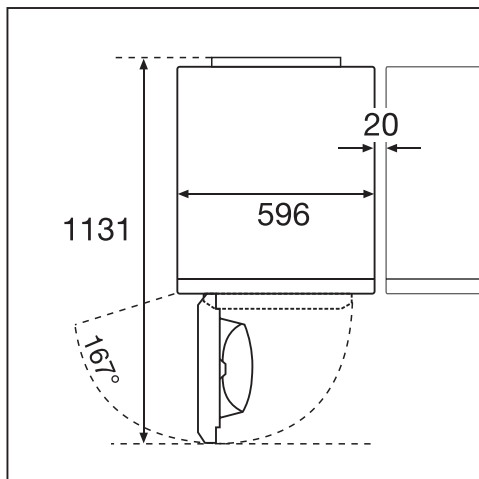


Steel plinth



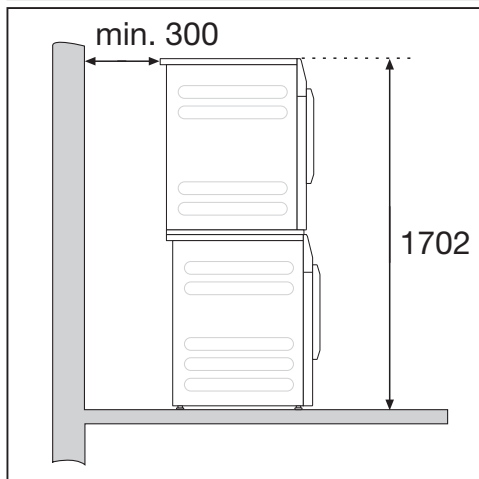
Steel plinth* (open or closed bases)

View from above



Washer-dryer stack

⚠ Installing the washer-dryer stack on a Miele plinth is not permitted.



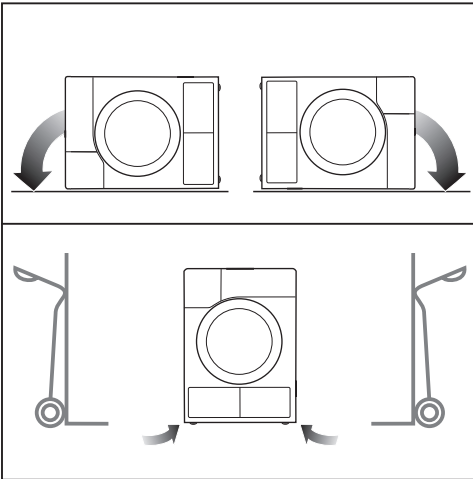
A stacking kit* is required. This must be fitted by a Miele authorised technician.

* Miele accessory available to order

Transporting the tumble dryer to its installation site

⚠ Damage caused by incorrect transportation of the tumble dryer. If the tumble dryer tips over, there is a danger of injury to people and damage to property. Ensure that the tumble dryer is stable during transportation.

Transporting the tumble dryer



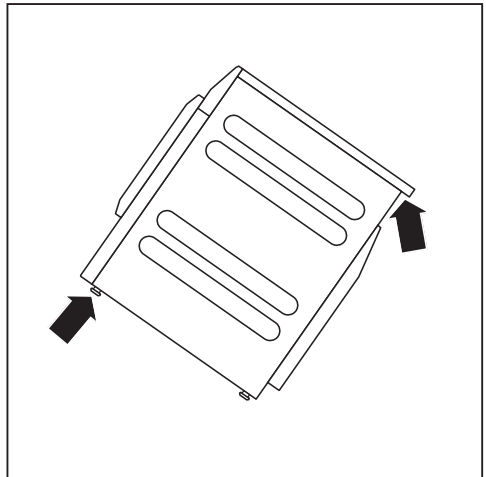
- If the tumble dryer is being transported on its side, it must be tipped onto its left or right side.
- If the tumble dryer is being transported upright, always transport it on a sack truck with its left or right side resting on the truck.

Transporting the tumble dryer to its installation site

⚠ Danger of injury due to unsecure lid.

The fixings at the back of the lid could break as a result of external forces. There is a danger of the lid being pulled off when carrying the machine.

Before carrying the machine, check that the lid is secure where it protrudes at the back of the machine.



- Carry the tumble dryer by the front feet and by the lid where it protrudes at the back of the appliance.

Installation

Installation

Ensure that no closeable door, sliding door, or an oppositely hinged door is installed that would hinder the door of the tumble dryer being opened in any way.

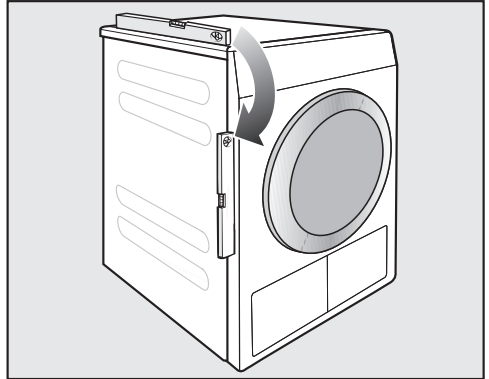
Installing the tumble dryer on boats

On other types of floor structures (in cases where the tumble dryer is installed on sea-going vessels, for example), the fixing materials must be provided on site.

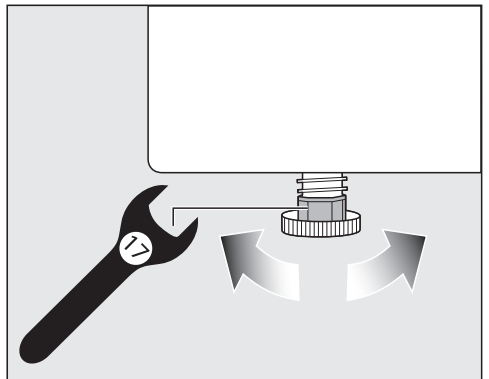
When installing the appliance on sea-going vessels, the tumble dryer must be secured to prevent slipping and tipping, by fastening it to the floor of the vessel (e.g. using clamps that are welded to the floor of the vessel).

- Secure all four of the tumble dryer's feet.

Levelling the tumble dryer




The appliance must stand perfectly level on all four feet to ensure safe and proper operation.



The screw feet can be adjusted to compensate for unevenness in the floor.

This tumble dryer is not suitable for building under.

Never block the ventilation slots on the tumble dryer. Do not block the gap between the bottom of the tumble dryer and the floor with plinth facings, deep pile carpet etc. This would hinder a sufficient flow of air to the tumble dryer.

 Damage caused by incorrectly installed or missing ducting.

Moist air from the tumble dryer can cause damage in the room where the appliance is installed.

Please observe the instructions in “Installation of the ducting”.

External control equipment

An optional accessory unit has to be purchased to set up a connection with external systems:

- XCI box communication module (e.g for peak load control units or payment systems)
- XCI-AD communication adapter (for payment systems only)

Payment systems

This tumble dryer can be fitted with a payment system (optional Miele accessory). In this case, a Miele Service technician must programme the relevant settings in the tumble dryer's electronics and connect the payment system.

Coins/tokens must be removed from the coin box regularly. Otherwise, the payment system will become blocked.


Installation

Electrical connection

This description applies to tumble dryers both with and without a mains plug.


The following applies to tumble dryers with a mains plug:

- This tumble dryer is supplied with a mains cable and plug ready for connection.
- The electrical socket must be easily accessible so that the tumble dryer can be disconnected from the electricity supply.

 Damage caused by incorrect supply voltage.

The data plate indicates the nominal power consumption and the appropriate fuse rating.

Compare the specifications on the data plate with those of the mains electricity supply and make sure that they match.

The electrical system must comply with local and national safety regulations (BS 7671 in the UK). We recommend the use of a suitable RCD .


The tumble dryer may only be connected to a permanent electrical system that conforms to the national and local codes and regulations.

The tumble dryer should never be connected by an extension cable, e.g. power strips, to avoid the risk of fire.

If the machine is hard wired, a dual circuit breaker must be provided on-site. When switched off there must be an all-pole contact gap of at least 3 mm in the isolator switch (including miniature circuit breaker, switch, fuses and relays ac-

ording to IEC/EN 60947). This connection process must be performed by a qualified electrician.

The plug connector or isolator switch should be easily accessible at all times.

 Risk of electric shock from mains voltage.

If the tumble dryer is disconnected from the mains, protective measures must be taken to ensure that the point of disconnection cannot accidentally be switched on again.

Make sure the isolator is lockable or the point of disconnection is monitored at all times.

New connections, modifications to the system, or servicing of the earthing conductor, including determining the correct fuse amperage, must be carried out by a qualified electrician, as they are familiar with the pertinent regulations and the specific requirements of the electric utility company.

If converting the tumble dryer to an alternative voltage, observe the instructions in the wiring diagram.

Conversion must be performed by Miele Service or by an authorised Miele Service dealer.


The tumble dryer must not be connected to devices such as timers which would switch it off automatically.


Installation of the ducting

General principles concerning exhaust air management/the air supply for marine applications

The specific features of exhaust air management and the air supply on board must be taken into account when installing the dryer on ships. The following calculations based on the example of installation on land can be used.

General principles concerning exhaust air management

 Damage caused by incorrectly installed or missing ducting. Moist air from the tumble dryer can cause damage in the room where the appliance is installed. Please observe the instructions in "Installation of the ducting".

 Inconveniences (odours) or damage (moisture) caused by improper installation of the ducting opening. The air from the tumble dryer can result in inconveniences or damage. Install the opening to the ducting far away from windows, doors or other openings.

While installing the ducting, keep the tumble dryer disconnected from the mains power supply.


Try to keep the ducting as short as possible and try to avoid too many tight bends or elbows. This will help to stop a reduced dryer performance with long programme times and excessive time and energy consumption.

Tip: Use any parts marked with a * (extra accessories):

- **Ducting with a minimum diameter of 100 mm**
e.g. exhaust hose* (made from plastic or aluminium) or a plastic waste water pipe (HT piping systems)
- **Opening to the ducting**
e.g. wall pipe* or window connection*

General principles concerning the air supply

The air drawn into the appliance for the drying process is extracted from the ambient air. You must therefore ensure that the room is sufficiently ventilated.

 Risk of suffocation due to the use of fireplaces or other technical equipment in the area of influence in the installation room.

The tumble dryer extracts the air it needs to dry items from the ambient air. This could result in exhaust gases from fireplaces or technical equipment being drawn back into the appliance.

When drying, always apply measures to ensure sufficient room ventilation in accordance with these operating instructions.

Measures for sufficient room ventilation

- Open any windows wide
- Install a window contact switch: the tumble dryer's electrical connection only switches when a window is open
- Install a vent that cannot be closed in the outer wall: approx. 237 cm²

Installation of the ducting

Calculating the total ducting length

The entire ducting system (including bends and components) generates air resistance that pushes against the exhaust air. The relative pipe lengths and total ducting length have to be calculated for this reason:

- The **A relative pipe length** (table I) indicates how much greater the air resistance of a bend is, for example, when compared to 1 metre of a straight plastic waste water pipe.
- Adding all of these relative pipe lengths together gives the **B total ducting length**. This is not the actual length but a calculated figure. The total ducting length (table II) expresses the air resistance of the entire exhaust air system.

Because a larger **C pipe diameter** (table II) reduces the air resistance, a longer total duct length requires a greater pipe diameter.

Procedure

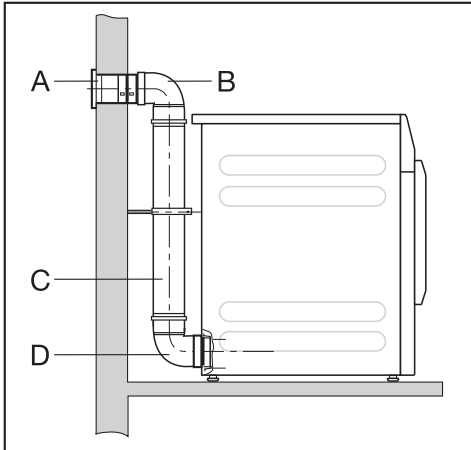
- 1 Measure the length needed for the straight sections of ducting. Multiply the length by the corresponding relative pipe length from **table I**.
- 2 Calculate the number of bends and elbows needed. Use **table I** to help you add together their relative pipe lengths.
- 3 Calculate the total duct length: add together all of the relative pipe lengths calculated under 1 and 2.
- 4 Refer to **table II** for the pipe diameter needed for the total duct length.

Table I	
Components	A Relative pipe length
Exhaust air hose (highly flexible)*	
1 m, laid straight	1.8 m
45° bend (radius of bend = 0.25 m)	1.5 m
90° bend (radius of bend = 0.25 m)	2.5 m
Exhaust air hose (flexible or flexible aluminium)* / plastic waste water pipe	
1 m, laid straight/straight pipe	1.0 m
45° bend (radius of bend = 0.25 m)	0.6 m
90° bend (radius of bend = 0.25 m)	0.8 m
Wall pipe* or window connection*	
With inserted grille	3.8 m
With non-return flap (swinging flap)	1.5 m
Non-return flap* for integration into the ducting (see "Shared exhaust air duct")	14.3 m
Flat ducting (for stacked installation)*	11.0 m
* Optional accessories	

Table II	
B Total duct length	C Pipe diameter
Maximum of 20 m	100 mm
Maximum of 40 m	125 mm
Maximum of 80 m	150 mm

Installation of the ducting

Sample calculation



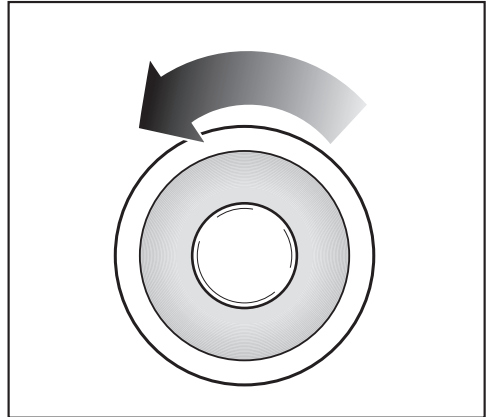
A	Wall pipe, with inserted grille		
	= 1 x 3.8 m relative pipe length	=	3.8 m
B/D	2 bends, 90° plastic waste water pipe		
	= 2 x 0.8 m relative pipe length	=	1.6 m
C	0.5 m plastic waste water pipe		
	= 0.5 x 1 m relative pipe length	=	0.5 m
	Total duct length	=	5.9 m

Because the total duct length is less than 20 m (according to table II), a pipe diameter of 100 mm will be sufficient.

Exhaust air outlets on the back of the tumble dryer

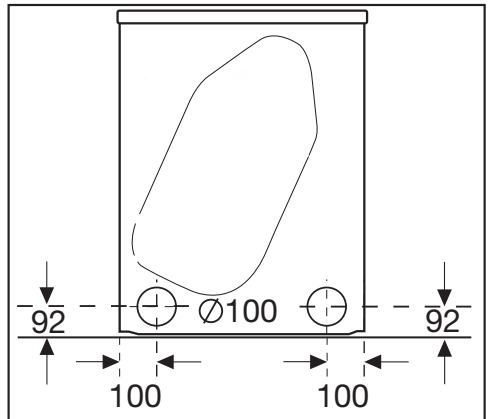
Sealing the air outlets

The ducting is installed on the right- or left-hand side of the tumble dryer's back panel. You must seal the unused connection with a cap.



- Turn the cap to the left to remove it.
- Press the cap firmly into the open air outlet.

Dimensions of the exhaust air outlets



All measurements in mm

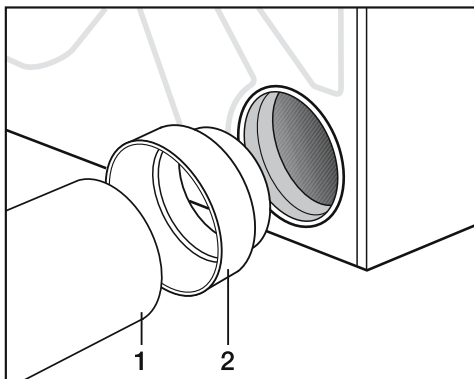
Installation of the ducting

Installing plug-in pipes

The tumble dryer is supplied with a connector for installing a pipe. It can be beneficial to use plug-in pipes if the total duct length is long. A pipe generates less resistance against the exhaust air than a highly flexible exhaust air hose, for example. This has a positive effect on the time and energy needed for drying.

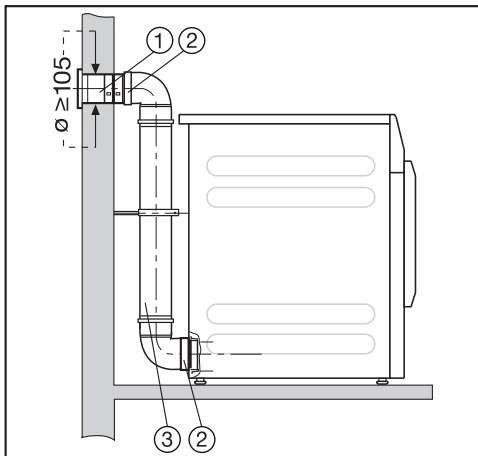
You will need

- The connector provided
- A wall pipe* or a window connection* (*optional accessory)
- A plastic waste water pipe from a specialist retailer. If the required pipe diameter is over 100 mm, additional adapter pipes are needed for the pipe system (e.g. from 100 mm to 125 mm).



- Insert the connector (2) into the exhaust air outlet.
- Install the pipe (1).

Example



- ① Wall pipe (installation instructions are provided with the Miele wall pipe)
- ② Connector
- ③ Plastic waste water pipe, diameter DN 100

Installation of the ducting

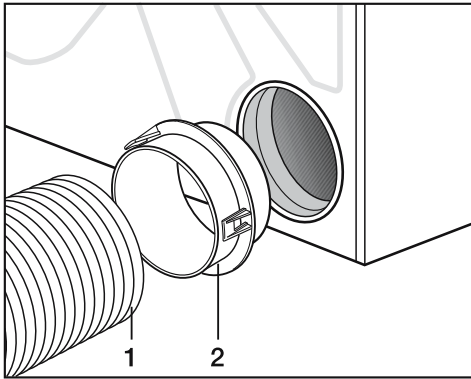
Installing flexible hoses

You can install an exhaust air hose with the help of an adapter* or flat ducting*.

You will need

- An exhaust air hose* (highly flexible, flexible or flexible aluminium)
- An adapter or flat ducting* (for a flexible exhaust air hose)
- A wall pipe* or window connection*

* (Optional accessories)

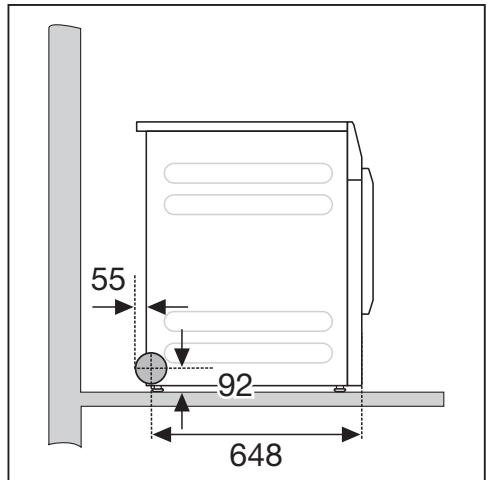
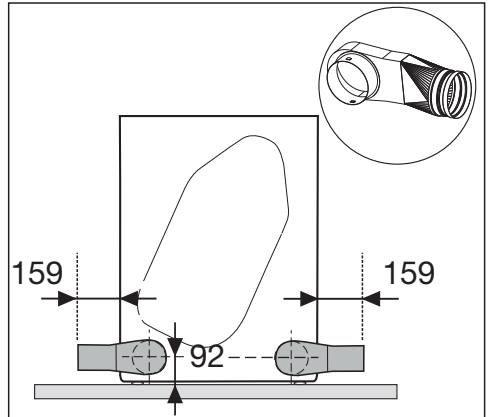


- Insert the adapter* (2) into the exhaust air outlet.
- Install the exhaust air hose (1).

Flat ducting

Use the flat ducting* to install the exhaust air hose* onto the tumble dryer if there is no space to install it to the back.

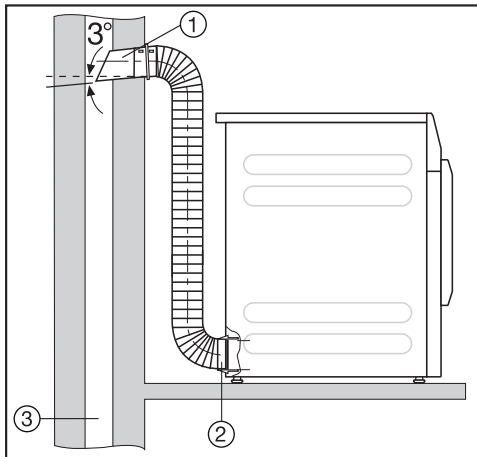
- Position the flat ducting* at a slight angle as far as it will go.
- Rotate the flat ducting* downwards until it engages.



Installation of the ducting

Examples

Connection to a ventilation stack



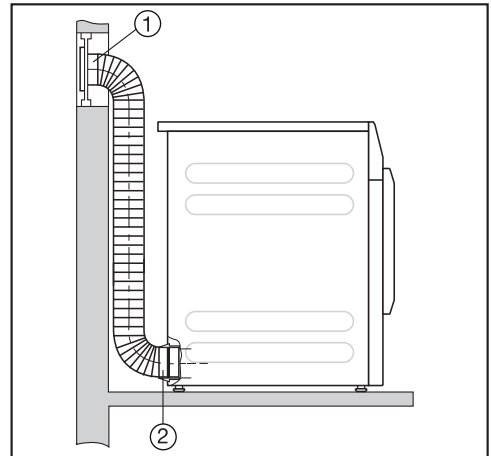
- ① Pipe with connector
(= individual parts in the Miele wall pipe)
- ② Adapter for a flexible exhaust air hose
- ③ Ventilation stack, moisture-proof

⚠ Risk of toxic fumes due to the intake of poisonous exhaust gas.

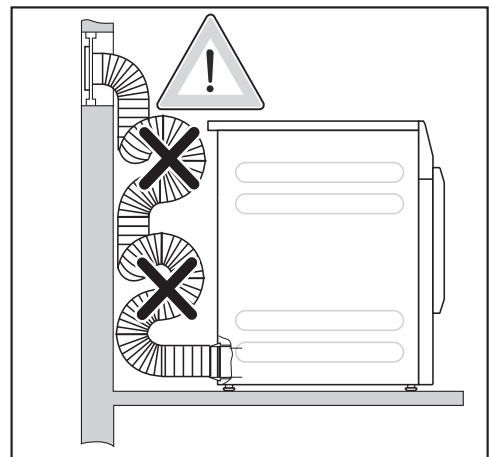
The tumble dryer extracts air for drying from the room where the appliance is installed. If the appliance is operated at the same time as fireplaces or other technical equipment in the area of influence in the installation room, toxic exhaust gases can be sucked back in.

Exhaust air must not be vented into a chimney or vent flue which is otherwise in use and must not be channelled into ducting which ventilates rooms with fireplaces.

Window connection



- ① Window connection (inserted in a pane of Perspex)
- ② Adapter for a flexible exhaust air hose



Condensation may run into the tumble dryer.

Do not lay the exhaust air hose in loops. Cut the exhaust air hose to the required length.

Technical data

Height	850 mm
Width	596 mm
Width (only for machines with a stainless steel lid)	605 mm
Depth	717 mm
Depth with door open	1131 mm
Weight	52 kg
Drum volume	130 l
Load size	8 kg (weight of dry laundry)
Length of connection cable	2000 mm
Supply voltage	See data plate on back of machine
Rated load	See data plate on back of machine
Fuse rating	See data plate on back of machine
Test certifications awarded	See data plate on back of machine
LEDs	Class 1
Max. floor load during operation	670 N
Product safety standard	EN 50570, EN 60335
A-rated sound emissions L_{pA} in accordance with EN ISO 11204/11203	< 70 dB re 20 μ Pa
Frequency band	2.4000 GHz – 2.4835 GHz
Maximum transmission power	< 100 mW

Technical data

EU Conformity declaration

Miele hereby declares that this vented dryer complies with Directive 2014/53/EU. The complete text of the EU declaration of conformity is available from one of the following internet addresses:

- Products, Download from www.miele.ie
- For service, information, operating instructions etc: go to <https://miele.co.uk/> manuals and enter the name of the product or the serial number

UK Conformity declaration

Miele hereby declares that this vented dryer complies with UK Radio Equipment Regulations 2017, as amended.

The complete text of the UK declaration of conformity is available from one of the following internet addresses:

- Products, Download from www.miele.co.uk
- For service, information, operating instructions etc: go to <https://miele.co.uk/> manuals and enter the name of the product or the serial number

This **Statement of Compliance** confirms this Miele product fully complies with the **Product Security and Telecommunications Infrastructure (Security Requirements for Relevant Connectable Products) Regulations 2023**.

- 1) Household Appliance – *Professional Tumble Dryer GT10, GT11, GT14, GT15*
- 2) Manufactured by: Miele & Cie KG,
Carl Miele Street 29, 33332 Gutersloh Germany
Imported by and contact point: Miele Company Ltd, Fairacres, Marcham Road,
Abingdon, Oxon, OX14 1TW Great Britain
- 3) The defined support period at the time of first supply is 10 years
- 4) To report vulnerabilities and cybersecurity issues please contact: psirt@miele.com

5) Signature 

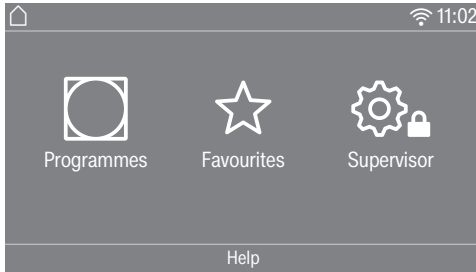
Name: **Paul Wright**


Company Position: **Head of Technical Management**

Date of signature: **19th March 2024**

Place of signature: **Abingdon, Oxfordshire**

Accessing supervisor level



Touching the  sensor takes you to the Supervisor level.

Access via code

Supervisor level is accessed using a code.

Factory default: The code is **000**.

Change code

You can alter the Supervisor level access code to protect the dryer from unauthorised access.

Be careful when entering a new code. You will need to inform Miele Service if you forget your new code. Miele Service will have to reset the code. Make a note of your new code and store it in a safe place.

Demo programme

In showrooms, a demo programme can be started with a simulation.

The programme does not start. The operational sequence is simply a simulation.

Tip: The demo programme will only be available if a drying programme lasting more than 1 hour has not been carried out. After this, the demo programme will not be available.

Closing the settings menu

■ Touch the  sensor.

The display will then go back to the previous menu level.

■ Touch the  sensor.


The display will change to the main menu.

Controls / Display

Language

The display can be set to appear in one of several different languages. To select the language you want, go to the *Languages* sub-menu.

You can change the language as follows:

- Permanently using the supervisor level (= "Supervisor language").
- For the duration of the current programme only using the  sensor control. The supervisor language is displayed again at the end of the programme.


Supervisor level

Language entry


The display can be set to one of several different user languages. This setting allows you to determine how languages can be selected.

The language can be changed as follows:

International


Six languages are available. The  sensor is not active. Note the setting **Set languages**.

Language setting

The  sensor can be used to select a language. All languages are available (factory default).

You can change the order of the first four languages. These slots are allocated to the most commonly used languages.

Standard language

The user language cannot be changed. The user language is the same as the supervisor language. The  sensor is not active.

Set languages

The languages for the setting **Language entry International** can be changed.

Six languages can be selected. All languages are available.

If you wish to add a new language to the language menu:

Six languages can be selected. All languages are available.

If you wish to add a new language to the language menu:

- First select the language you want to replace.

All available languages are displayed.

- Select and confirm the language to replace the previous language.

The new language appears instead of the old one.

Display brightness

The brightness of the display can be altered. The setting depends on the various lighting conditions in the place of installation.

- It can be set to one of 10 different levels.

Clock display

After selecting the clock format, you can set the time of day.

Clock format

- Factory default: 24-hour display
- 12-hour display
- No clock

Setting the time

- The time can be set.

Date

The date can be set after selecting the date format.

Date format

The date can be shown starting with the day, month or year.

Date

The date is set.

Volume

The volume for various sounds can be changed.

The volume can be changed.

- Finish tone
- Keypad tone
- Welcome tone
- Fault alarm
The audible signal that indicates an error can be switched off. The volume cannot be changed here.

Res. moisture display

In addition to displaying the drying level, the residual moisture can also be indicated as a percentage.

- Factory default: without percentages
- With percentages

Visibility parameters

Various parameters are offered/displayed when a programme is selected. You can decide which parameters should not be displayed. These parameters can then not be edited during programme selection.

- Residual moisture
- Duration
- Low temperature
- Anti-crease
- Load size

Supervisor level

Display off status

The display switches off to save energy; only the *Start/Stop* sensor flashes slowly. You can change this setting.

Changing this setting leads to increased energy consumption.

- *Off*
No switching off
- *On (10 min.) Not curr.prog.*
The display will remain on while the programme is running but will go out 10 minutes after the end of the programme.
- *Logo (10 min.) Not curr.prog.*
The display will remain on while the programme is running but the logo will light up 10 minutes after the end of the programme.
- Factory default: *On after 10 min.*
The display is switched off after 10 minutes.
- *On (30 min.) Not curr.prog.*
The display will remain on while the programme is running but will go out 30 minutes after the end of the programme.
- *Logo (30 min.) Not curr.prog.*
The display will remain on while the programme is running but the logo lights up 30 minutes after the end of the programme.
- *On after 30 min.*
The display will go out after 30 minutes.

Machine off status

In order to save energy, the tumble dryer will switch off automatically after the end of the programme or if no further selection is made. You can change this setting.

Changing this setting leads to increased energy consumption.

- No switch off
- Factory default: Switch off after 15 minutes
- Switch off after 20 minutes
- Switch off after 30 minutes

Delay start

The delay start (timer) can be activated or deactivated.

- Factory default: Off
- On

SmartStart

The function to delay start changes when the *SmartGrid* setting is activated. The period of time in which the drying programme will start automatically is then shown in the display: *SmartStart by*, *SmartStart in*, or *SmartFinish by*.

The programme is started via an external signal.

The time period can be defined up to 24 hours. During this period, the tumble dryer waits for an external signal. If no signal is sent during the defined period, the tumble dryer starts the drying programme once the defined period of time has elapsed.

Memory

The tumble dryer saves the settings that were last selected for a drying programme (drying stage and/or extra option, or the duration for some programmes).

- Factory default: Off
- On

Temperature unit

You can select the unit for the temperature display.

- Factory default: °C / *Celsius*
- °F / *Fahrenheit*

Weight unit

You can decide whether load quantities are displayed in “kg” or “lbs”.

- Factory default: kg
- lb

Logo

You can choose whether the “Miele Professional” logo or your own logo appears in the display.

For the setting Controls, the option Laundrette Logo, Laundrette Logo int. time or Laundrette Logo ext. time must be selected.

- Miele Professional logo
- Customer logo
- Marine logo

Supervisor code

You can alter the access code to the Supervisor level.

- Enter the existing code.
- Enter a new code.

Supervisor level

Programme selection

Controls

You can select whether the tumble dryer is operated as a “laundrette” machine. Shortcuts are the easiest way to operate the machine. Operating staff are unable to change pre-set programmes.

Tip: Start by configuring all necessary settings and changes to the tumble dryer before adjusting any of the options below.

Caution: When activating any of these options, the Supervisor level will no longer be available. You will no longer be able to access the Supervisor level via the display. Please follow the instructions below if you wish to change any other settings.

Opening the Supervisor level (laundrette version)

- Switch the tumble dryer on and open the dryer door.
- ① Touch the *Start/Stop* sensor and hold it down whilst carrying out steps ②-③.
- ② Close the dryer door.
- ③ Wait until the *Start/Stop* sensor, which will now be flashing quickly, lights up constantly ...
- ④ ... and then release the *Start/Stop* sensor.

- *Standard*

Factory default: all (selected) programmes are available.

- *Laundrette, basic*

12 programmes are available.

Under *Favourite programmes*, you can set which or how many programmes can be selected/modified.

- *Laundrette Logo*

12 programmes are available.

Under *Favourite programmes*, you can set which or how many programmes can be selected/modified.

The first 3 programmes can be selected directly. The remaining programmes are selected via another list.

- *Laundrette Logo ext. time*

4 time programmes* with different temperature levels are time-controlled via an external payment system. The maximum load size is 8 kg.

The set value indicates the programme running time and cannot be modified by the user.

This option is only available with an external payment system.

* The maximum programme running time is specified during initial commissioning.

- *Laundrette Logo int. time*

4 time programmes* with different temperature levels are time-controlled via the tumble dryer electronics. The maximum load size is 8 kg.

The set value indicates the maximum programme running time and can be modified by the user.

* The maximum programme running time is specified during initial commissioning.

- *External prog. selection*

A communication module can be used to select the programme from an external terminal.

Programme packages

This allows you to specify the scope of the tumble dryer programme. You can select all of the programmes or individual programmes from the relevant programme packages.

The programme packages are described in detail under "Programme overview".

Favourite programmes

After switching on, you can also select a programme via: ☆ Favourites. 12 programmes can be stored as favourites based on your own priorities and requirements.

These favourites will also be made available in the control options

- *Laundrette Logo*

- *Launderette, basic*

You can specify the control option under *Controls*.

Tip: You can assign a different colour to each programme. In this case, the *Prog. colour allocation* setting must be set to *On*.

Changing Favourite programmes

- Select the programme you wish to change or replace.
- Confirm the programme or the setting to be changed.

Another menu opens, enabling you to select a new programme or change the parameters.

- Confirm with the *Save* sensor control.

Your selection is now active.

Supervisor level

Reducing the number of Favourite programmes

You can reduce the number of Favourite programmes by “deactivating” each one individually.

- Select the programme you wish to deactivate.
- Confirm the programme.
- Select <empty> from the list instead of a programme.

The selection in the ☆ Favourites and the selection in the Launderette, basic and Launderette Logo control option is reduced.

Once a programme has been deactivated, ∅<empty> is displayed in its place. You can add a programme back in at any time.

Changing the sequence of Favourite programmes

You can change the sequence of Favourite programmes by moving the programmes around.

- Touch the programme that you wish to move.

An orange border appears around the selected programme.

- Touch the programme with your finger and keep your finger pressed down.
- Drag the programme to the required place.

Special programmes



You can put together five special residual moisture or time-controlled programmes and assign your own programme names.

First, enter the programme name.

- Select the special programme you want to change.

The **Save as** menu opens.

- Use the letters and symbols below the line to enter the name.
- Touch the **Save** sensor.

You can now enter the parameters for a  Res. moisture programme or  Timed drying.

The five special programmes are pre-programmed at the factory. You can change these special programmes.

The special programmes are added to the programme packages. Enter the name and settings of your special programme into the “Special programmes” table in the “Programme overview” chapter.

Res. moisture programme

- Final residual moisture:
 - 6 % (dry) – 40 % (damp)
- Extra drying time:
 - 0–60 minutes
- Temperature (Process air):
 - cold – 60 °C
- Holding phase
 - Holding time:
 - 0–60 minutes
 - Holding temperature (Process air):
 - cold – 60 °C
- Cooling down temp. (Process air):
 - 40–55 °C

- Anti-crease

- Drum rotation, main direction:
 - 0–500 seconds
- Pause:
 - 100–3000 seconds
- Drum reversal:
 - 0–500 seconds

Timed drying

- Running time:
 - 1–120 minutes
- Temperature (Process air):
 - cold – 60 °C
- Cooling down temp. (Process air):
 - 40–55 °C
- Anti-crease
 - Drum rotation, main direction:
 - 0–500 seconds
 - Drum reversal:
 - 0–500 seconds
 - Pause:
 - 100–3000 seconds

Supervisor level

Sort programmes

Programmes can be moved within the programme list and in the Favourites list.

- Factory default: Off
- On
- Select the “On” option.
- Exit Supervisor level.
- Select Programmes.
- Touch the programme that you wish to move.

An orange border appears around the selected programme.

- Touch the programme with your finger and keep your finger pressed down.
- Drag the programme to the required place.

Prog. colour allocation

You can assign a specific colour to a favourite programme. In the list of favourites, each favourite programme is given a coloured frame, which can be adjusted.

- Factory default: Off
- On

Process technology

Anti-crease

At the end of the programme, the drum will continue to rotate at intervals if the laundry is not removed immediately.

Changing this setting leads to increased energy consumption.

The setting (⌘) can be switched off or a time between 1 and 12 hours can be selected.

Factory default: Off

Drying levels

Changing this setting leads to increased energy consumption.

You can alter the drying levels for the *Cottons*, *Minimum iron* and *Automatic plus* programmes.

It can be set to one of 7 different levels.

Factory default: normal

The *Machine iron* drying level in the *Cottons* programme can be individually adapted.

You can change the residual moisture in this programme to one of 11 levels from 16 % (more dry) to 26 % (more moist).

Factory default: 20 %

Further cooling

Before the end of the programme, the temperature of the dried laundry is monitored and the cooling phase at the end of the programme is extended if necessary.

Changing this setting leads to increased energy consumption.

- Factory default: Off
- On

Cooling down temperature

The laundry will be cooled down automatically before the end of the programme. The automatic cooling-down phase which takes place before the end of a programme can be set at a cooler level for all programmes. This means that the cooling phase is extended.

Changing this setting leads to increased energy consumption.

The setting can be changed from 40 °C–55 °C.

Factory default: 55 °C

Service

Clean out the airways

The tumble dryer's electronics calculate the degree at which fluff or detergent residue in the fluff filters and air ducts are impairing performance. A message to check the contamination appears. You can decide at what level of fluff this reminder should be emitted.

This prompt, which you can configure, is displayed: Clean the fluff filter and rinse the plinth filter.

- Off
The reminder does not appear. However, if there is a very severe blockage in the ducting, the programme will be cancelled and the reminder will appear in the display regardless of this option.
- Heavy
The reminder only appears when there is a heavy build-up of fluff.
- Factory default: normal
- Sensitive
The reminder appears when there is only a small build-up of fluff.

Supervisor level

Clean the filters

The fluff filter in the air duct area must be cleaned on a regular basis. You can set an hourly interval for the reminder.

The time interval you choose depends on how much fluff is deposited or how often you wish to clean for hygiene reasons.

You can configure this prompt: Clean the filters

- Time interval of 5–55 hours
- Factory setting: after 55 hours
- Off

Service interval

The tumble dryer shows a custom message at a selected interval to prompt you to undertake specific maintenance tasks.

Three different messages can be created: 1/2/3. Each message is created in the language and alphabet of the current supervisor language.

Your message is displayed at the end of the programme and can be acknowledged with OK. The same message appears at the end of the next programme.

Settings

This setting allows you to determine the interval (by hours or date) at which the message appears.

- Factory default: Off
- By time
You can then select a time interval from 1–9999 hours.
- By date
You can enter a date.

Message text

Enter your message for your planned maintenance work. You can edit one, two or all three of the 1/2/3 messages.

Reset display

The message appears until the display is permanently reset. The message then appears again once the next interval is reached.

External applications

External exhaust flap

External hardware is connected via the Miele XCI box.

The time delay between the external exhaust air flap's activation point and the switch-on time for the drum/fan motor is regulated.

A message appears in the display while the exhaust air flap is open.

- Factory default: Off

This option must always be selected if there is no exhaust air flap to activate. This prevents the programme from being cancelled.

- On

- 0 seconds

- 1 second

- 2 seconds

...

- 300 seconds

Additional fan

External hardware is connected via the Miele XCI box.

If an extra fan is connected, it must be switched on at the same time as the drive unit.

- Off

- On

Pressure sensor

External hardware is connected via the Miele XCI box.

When using a shared exhaust air duct, one tumble dryer may have to be switched off or suppressed from the outset if certain pressure levels have built up in the ducting. Because the pressure sensor is an external unit, there is the option of reading in both a logical normally open contact or a normally closed contact.

When the exhaust air flap is open, a corresponding message is shown on the display.

- Off = Not active

- NO contact = active

Reaction to **high potential**

- NC contact = active

Reaction to **low potential**

Supervisor level

Peak load signal

External hardware is connected via the Miele XCI box.

The peak-load negotiation function enables the tumble dryer to be connected to an energy management system. When a signal is registered, the tumble dryer's heater is switched off for a short period or the appliance is prevented from being switched on. The tumble dryer may only be operated with a peak-load system if this system is connected to the tumble dryer via the Miele XCI box.

- Factory default: no function
- Peak load with 230 V
- Peak load with 0 V
- COM module

Peak load prevention

With this function, the application of a hygiene programme is not amended when a peak load signal is in place. The heater stays switched on.

- Factory default: Off
- On

COM module selection

This tumble dryer is equipped with an integrated WiFi module. However, the dryer can also be equipped with an external module.

- Off
- Internal module (factory default)
The internal WiFi module is used.
- External module
An XKM module or RS232 module is inserted into the module slot.

Availability of Miele digital products

The ability of Miele digital products depends on the availability of the services in your country.

The different services are not available in all countries.

For information about availability, please visit www.miele.com.

WiFi / LAN

Control the networking of your tumble dryer.

- Setup
This message only appears if the tumble dryer has not yet been connected to a WiFi network.
- Deactivate (visible when the network is activated)
The network remains set up; the WiFi function is switched off.
- Activate (visible when the network is deactivated)
The WiFi function is reactivated.
- Connection status (visible when the network is activated)
The following values are displayed:
 - The quality of WiFi reception
 - The network name
 - The IP address
- Reset (visible when set up)
Resets the WiFi login (network) to immediately re-establish a new connection.
- Reset (visible if already set up)
The network is no longer set up. A new connection has to be established in order to use the network again.
 - The WiFi is switched off
 - The WiFi connection will be reset to the factory default setting

WiFi setup

There are 2 possible connection methods.

Via WPS

- Activate the WPS function on your router within 2 minutes.

Tip: If the connection has not been set up when the timeout has finished counting down, repeat the process.

Via Soft AP

- Activate the function with the Miele app on your smart device within 10 minutes.

Tip: The app will guide you through the remaining steps.

Supervisor level

Network time

The date and time can be synchronised over the network.

- Off

The date and time are not synchronised over the network.

- As master

The machines are in a network but are not connected to the Internet. A machine is declared as the master and sends data to the *slave* devices.

- As slave

The machines are in a network and are connected to the Internet. All machines are configured as *slaves*. Data is synchronised over the Internet.

Remote

Programmes are selected on an external terminal.

- Factory default: On

- Off

Remote Update

The RemoteUpdate function is used for updating the software in your tumble dryer.

Factory default: on

If you do not install a RemoteUpdate, you can continue to use your tumble dryer in the usual way. However, Miele recommends installing remote updates.

Activation

The RemoteUpdate menu option is only displayed and can only be selected if you have added your tumble dryer to your WiFi network.

Miele's RemoteUpdate function can only be used if the tumble dryer is connected to a WiFi network and you have an account in the Miele Professional app. The tumble dryer must be registered in the app.

See the Miele Professional app for terms and conditions of use.

Some software updates can only be carried out by Miele Service.

Running a RemoteUpdate

If a RemoteUpdate is available for your washing machine, it will be displayed automatically when the Operator level is open.

You can choose to start the RemoteUpdate immediately or wait until later. If you select “Start later”, the prompt to run the RemoteUpdate will be displayed again the next time you switch on your washing machine.

The RemoteUpdate can take a few minutes.

Please note the following information about the RemoteUpdate function:

- You will only receive a message when a RemoteUpdate is available.
- Once a RemoteUpdate has been installed, it cannot be undone.
- Do not switch off the tumble dryer during a RemoteUpdate. Otherwise, the RemoteUpdate will be aborted and will not be installed.

SmartGrid

The SmartGrid setting is only visible if a network has been set up and activated. You can use this function to integrate your tumble dryer into building energy management systems.

Supervisor level

Machine parameters

Legal information

Open source licences

You can view information here.

Copyrights and licences for operator and control software

Miele uses their own and third party software which is not subject to any so-called open source licence for the operation and control of the machine. This software/these software components are protected by copyright. The copyright powers of Miele and third parties have to be respected.

Furthermore, this machine contains software components which are distributed under open source licence conditions. Please refer to the menu item Settings | Machine parameters | Legal information | Open source licences in the machine for the Open Source components contained therein, together with the corresponding copyright notices, copies of the licencing conditions valid at the time, and any further information. The liability and warranty provisions of the Open Source licence terms and conditions as stated therein apply only in relation to the respective rights holders.

Payment system

The XCI-AD or XCI box accessory unit is required to connect a payment system.

Setting for payment systems

If you wish to change the settings after the commissioning process, please contact Miele Service.

You would like to connect a payment system.

- No payment system
 - The following settings are skipped and initial commissioning can be completed.
- Programme operation
 - The machine is operated using a coin box. The user purchases a programme.
- Timed operation
 - The tumble dryer is coin-operated using a time meter. The user purchases a time-controlled programme.
- Timed operation with pulse counter
 - For payment systems where the usage time is increased each time a coin is inserted.
- COM module
 - The machine is operated by a central control unit

F-back signal to pay system

Setting the feedback signal for the coin box.

- Factory default: Off
- End of programme
The feedback signal is sent at the end of the programme.
- Release of the start button
The feedback signal is sent when the start button is released.
- Start and end of programme
The feedback signal is sent at the start and end of the programme.
- Programme running
The feedback signal is sent constantly between the start and end of the programme.
- Process air temperature
The feedback signal is sent dependent on the temperature if the temperature of the process air is equal to or higher than the set temperature.

Payment system lock

To avoid tampering, a programme lock can be set up in programme operation. If the lock is applied, the programme is interrupted and payment credit is lost as soon as the door is opened.

- The time for the lock to be applied can be adjusted to enable laundry to be added.
- Factory default: off
 - As soon as the programme starts
 - 1–5 minutes after the start of the programme

Clear paid signal

The “Paid” signal in coin box mode can be applied until the end of the programme or discarded if the programme is not started after 5 minutes.

- Factory default: Off
- On

Supervisor level

Debounce time

In coin mode, the debounce time for the minimum payment signal that must be applied can be adjusted.

- Factory setting: Short
 - For coin boxes where the falling coin generates the paid pulse.
- Long
 - For central control units on a 230 V basis.

Pay system override time

Setting the transition signal for the coin box. Security time margin to prevent the coin box being tampered with.

The override time can be set or switched off in increments of one minute from 30 minutes up to four hours.

If the programme does not end within the override time, the coin box setting is reset. The programme is cancelled.

Factory default: 3 hours

Duration Cool air

The running time can be adjusted.

A time of between 10 minutes and 2 hours can be set in five-minute intervals.

Factory default: 2 hours

Duration Warm air

The running time can be adjusted.

A time of between 20 minutes and 2 hours can be set in five-minute intervals.

Factory default: 2 hours

FOC programmes

In coin mode, you can decide whether the *Timed drying cool air* programme can be used for free.

- Factory default: Off
- On

International Service Contacts

America: +1 866 694 5849

Australia, Asia, Oceania: +61 3 9764 7880

Europe, Africa, Middle East: +49 5241 89 66 877

E-mail: service@miele-marine.com

www.miele.com/marine-service

Manufacturer: Miele & Cie. KG, Carl-Miele-Straße 29, 33332 Gütersloh, Germany

PDR 908 EL Marine

en-GB

M.-Nr. 12 450 420 / 01