

Miele



Installation plan Commercial washing machine PWM 920 EL

To avoid the risk of accidents or damage to the machine, it is **essential** to read these instructions before it is installed and used for the first time.







en-GB

M.-Nr. 11 988 860

Contents

Installation notes	3
Explanation of the safety instructions and warnings on the machine.....	3
Installation requirements	3
General operating conditions	3
Installation	3
Installation on concrete plinth	4
Levelling the machine.....	4
Securing the machine.....	5
Electrical connection	5
Water connection	6
Cold water connection	7
Hot water connection	7
Drain valve.....	7
Dispensing pump connections.....	8
Optional accessories.....	9
Hard water kit (APWM062)	9
APWM 019/020 Connector Box	9
WiFi/LAN interface	11
Plinth (APWM 029/033)	11
Installation	12
Standard.....	12
Plinth	14
Installation	16
Standard.....	16
Plinth	17
Floor anchoring	18
Technical data	19
Voltage versions and electrical data.....	19
Plumbing	20
Cold water connection	20
Hot water connection	20
Hot water connection (for variants without heating or with reduced heater rating)	20
Hard water connection (optional)	20
Drainage	20
Connection for equipotential bonding.....	20
Installation dimensions.....	21
Anchoring	21
Transport data, weight and floor load	21
Models with detergent drawer (DD).....	21
Emissions data	21

Explanation of the safety instructions and warnings on the machine

	Read the operating instructions
	Read all the instructions, e.g. the installation instructions
	Warning, hot surfaces
	Warning, voltage up to 1000 volts
	Earthing
	Equipotential bonding

Installation requirements

The washing machine must be installed and commissioned by a Miele Service technician or by an authorised dealer.

- ▶ The washing machine must be installed in accordance with applicable regulations and standards. Local energy supplier and water authority regulations must also be observed.
- ▶ This washing machine must only be operated in a room that has sufficient ventilation and which is frost-free.

This machine should not be installed or operated in any area where there is a risk of explosion!

General operating conditions

This washing machine is intended only for use in a commercial environment and must only be operated indoors.

- Ambient temperature: 0-40 °C
- Relative humidity: non-condensing
- Maximum height above sea level of location site: 2000 m

Depending on the nature of the installation site, sound emissions and vibration may occur.

Tip: Have the installation site inspected and seek the advice of a professional in instances where increased noise may cause a nuisance.

Installation

Transport the washing machine to its installation site using a suitable pallet truck and remove the transport packaging.

Installation notes

The washing machine must be set up on a completely level, horizontal and firm surface with the minimum stated load bearing capacity (see “Technical data”).

Tip: A concrete floor is the most suitable installation surface. It is far less prone to vibration during the spin cycle than wooden floorboards or a carpeted surface.

The floor load created by the washing machine is the load exerted by the area of the machine in contact with and transferred to the installation surface.

The washing machine requires a gap of at least 50 mm on each side to allow for movement during operation. Please ensure a minimum distance of 400 mm is maintained between the rear of the appliance and the rear wall.

The washing machine must not be installed on a carpeted floor.

The feet of the washing machine must be secured to the fastening points on the floor using the fittings supplied.


The fittings supplied are for bolting the machine to a concrete floor. If other floor types are present at the installation site, the fastening material must be ordered by the customer.

Installation on concrete plinth

The washing machine can be installed on a concrete plinth if desired.

The concrete materials and the durability of the concrete plinth must be assessed in accordance with the floor load bearing capacity given in “Technical data”.

- To guarantee the stability of the washing machine, make sure that the concrete plinth is sufficiently stable on the floor and that it is capable of withstanding any burden or force from the washing machine.
- The washing machine must be secured to the concrete plinth using the fixtures and fastenings supplied.

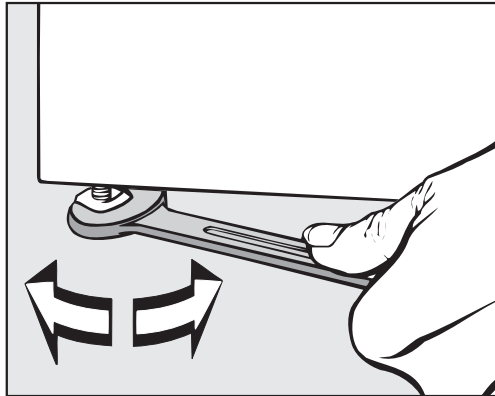
 The washing machine must be secured to the plinth immediately after installation!
There is a risk of the washing machine falling off a raised plinth during a spin cycle if it is not secured.

Levelling the machine

- Align the washing machine vertically and horizontally using the adjustable feet and a spirit level.

The washing machine must stand evenly and horizontally on all four feet to ensure trouble-free and energy-efficient operation. Otherwise the water and energy consumption increases and the washing machine might move around.

- After aligning the machine, tighten the lock nuts by turning them in an counterclockwise direction with a wrench. This will prevent the feet from adjusting themselves.



Securing the machine

- The feet of the washing machine must be secured to the concrete plinth using the fixtures and fastenings supplied.

Fittings supplied are for installation on a concrete floor. For other types of flooring, please purchase suitable fastening materials separately.

Electrical connection

The electrical connection must only be carried out by a qualified electrician who must ensure that all electrical work is carried out in accordance with applicable electrical regulations and standards (BS 7671 in the UK).

- ▶ This washing machine must be connected to an electrical mains supply that complies with local and national regulations. Please also observe your insurance and energy supplier's regulations as well as any health and safety at work regulations.
- ▶ The required voltage, connected load and fusing rating can be found on the data plate on the washing machine. Before connecting the machine to the power supply, please ensure that the mains supply voltage complies with the values given on the data plate.

Connection to a supply voltage other than the one quoted on the data plate can lead to functional faults and damage the washing machine!

If more than one voltage is quoted on the data plate, the washing machine can be converted for connection to the voltages stated.

- ▶ Conversion to a different voltage must only be carried out by a Miele Service engineer or by an authorised Service Partner. The wiring instructions given on the wiring diagram must be followed.

Installation notes

Tip: We recommend connection to the power supply via a suitably rated plug and socket which must be easily accessible for servicing and maintenance work after the machine has been installed. An electrical safety test must be carried out after installation and after any service work.

The machine should be connected with a suitably rated plug and socket in accordance with IEC 60309-1 or hard wired. For a hard wired connection an all-pole isolation device must be installed.

For hard-wired machines connection should be made via a suitable mains switch with all-pole isolation which, when in the off position, ensures a 3 mm gap between all open contacts. These include circuit breakers, fuses and relays (IEC/EN 60947).

If the mains supply cannot be permanently disconnected, the isolator switch (including plug and socket) must be safeguarded against being switched on either unintentionally or without authorisation.

► If it is necessary to install a residual current device (RCD) in accordance with local regulations, a residual current device type B (sensitive to universal current) must be used.

An existing type A residual current device (RCD) must be exchanged for a type B RCD.

► If necessary, equipotential bonding with good galvanic contact must be guaranteed in compliance with all applicable local and national installation specifications.

Equipotential bonding must have an earth current rating > 10 mA
Accessories for equipotential bonding are not supplied and need to be ordered separately.

Water connection

For compliance to Regulation 4 of the water regulations guide please fit the supplied double check valves to the on-site water supplies for each inlet hose used. The non-return valve prevents water from the water inlet hose from flowing back into the on-site drinking water supply.

Non-return valves are supplied.

The flow pressure must amount to a minimum of 100 kPa and must not exceed 1000 kPa. If the flow pressure is higher than 1000 kPa, a pressure reducing valve must be used.

The machine must be connected to the water supply using the inlet hoses provided.

⚠ The connection points are subject to water supply pressure. Turn on the stopcock slowly and check for leaks. Correct the position of the seal and screw thread if appropriate.

Only connect the washing machine to the water supply with the hoses supplied.

Cold water connection

For the cold water connection one stopcock each with a 3/4" external thread is required. A connector (Y-piece) can be used if required to connect 2 water inlet hoses with a 3/4" screw thread to a single stopcock with a 1" male thread.

Hot water connection

To minimise energy consumption during operation with hot water, the washing machine should be connected to a suitable hot water ring circuit if present.

So-called "transmission pipes" (single pipes to hot water generators) can result in cooling down of the water remaining in the pipes if not in constant use. More energy would then be consumed to heat the suds up again.

The temperature of the water intake must not exceed 60 °C on machines with electric heating (EL).

The machine must be connected to the water supply using the inlet hoses provided.

If there is no hot water supply at the installation location for the washing machine, the inlet hose for hot water must also be connected to the cold water supply. A Y-piece is required in this case. The cold water consumption increases accordingly to account for the missing hot water intake.

For functional and technical reasons it is not possible to operate the machine exclusively with a hot water connection.

Even if a hot water connection is present, the washing machine must be connected to a cold water intake.

Drain valve

In the case of washing machines with a drain valve, a motorised valve is used to drain the machine. An HT DN 70 angle connector can be used for draining the machine directly into the waste water system (without a siphon) or into an on-site floor drain (with odour trap).

Thanks to an improved closing mechanism and a larger cross-section, even the coarsest of soiling does not leave any deposits or debris behind which could result in blockages. The drain valve can also be operated manually to allow the suds container to be emptied in the event of a power outage.

Installation notes

A vented drainage system is vital for unimpeded drainage. If several machines are connected to a single drain pipe, this should be sufficiently large to allow all machines to drain simultaneously.

The appropriate Miele installation kit (mat. no.: 05 238 090) is available to order from the Miele Customer Service Department or your Miele dealer for venting an HT DN 70 pipe.

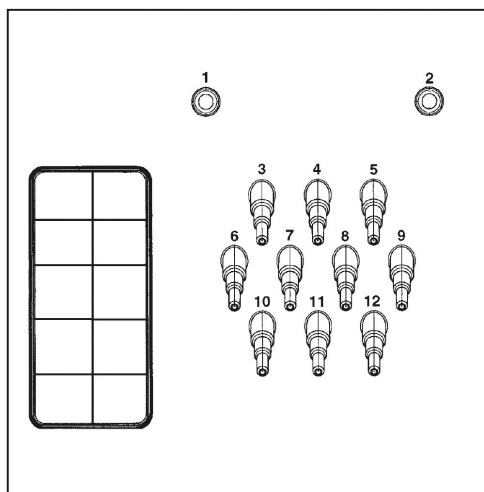
If the slope for drainage is extremely steep, the piping must be vented to prevent formation of a vacuum in the machine's drainage system.

Slow or obstructed drainage or a backup of water in the drum as a result of undersized pipework can result in faults occurring during programmes, which will result in fault messages appearing in the display.

⚠ Outflowing suds can be as hot as 95 °C. Danger of burning!
Avoid direct contact.

Dispensing pump connections

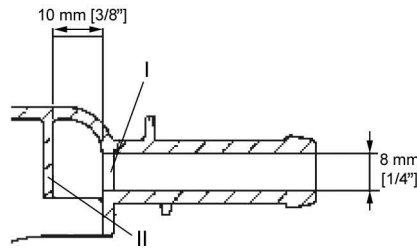
Up to 12 dispensing pumps can be connected to the washing machine.



Dispensing pump connections on the back of the machine

Connections **1** and **2** are provided for viscous agents and can also be used for high-pressure dispensing systems with water injection. The dispensing systems must be fitted with a separate drinking water safety mechanism in accordance with Regulation 4 of The Water Supply (Water Fittings) Regulations 1999 EN 61770 and EN 1717. The maximum flow rate is 1500 ml/min with a maximum flow pressure of 300 kPa.

These connectors are sealed and need to be drilled open using a 8 mm drill bit before connecting.



Make sure that you only drill through the first panel (I) as there is a deflecting panel (II) 10 mm behind it.

Connections **3** to **12** are provided for liquid detergent. High-pressure dispensing systems with water injection must not be connected to these connections. The connectors are sealed and must be cut to the diameter of the hose with a small saw before they are connected.

If opened connectors are no longer required, they must be resealed using a suitable sealant (e.g. silicone).

External dispensing pumps are connected and calibrated via the Connector Box, which is available as an option.

A flowmeter or flow sensors can also be connected for monitoring the dispensing quantity precisely.

Connections for level monitoring are available for every agent dispensed.

Optional accessories

Only use genuine Miele spare parts and accessories with this machine.

Using spare parts or accessories from other manufacturers will invalidate the guarantee, and Miele cannot accept liability.

Hard water kit (APWM062)

The hard water connection on the washing machine can be retrofitted with the optional hard water kit (APWM062).

The additional water connection allows hard water to be used and the programme running time will therefore be reduced. In addition, hard water is particularly suitable for the final rinse cycles.

APWM 019/020 Connector Box

The Connector Box allows external hardware from Miele and other suppliers to be connected to the Miele Professional washing machine.

Flowmeters for the water inlet can also be connected to the Connector Box (APWM 065).

Peak load / energy management

A peak-load or energy management system can be connected via the Connector Box.

Installation notes

The peak-load negotiation monitors the energy consumption of a system and deactivates individual pieces of equipment temporarily in order to ensure that certain total load limits are not exceeded. Monitoring is externally controlled.

When the peak-load function is activated, the heating is deactivated and the programme stopped. A message appears in the display to inform you of this.

The programme is resumed automatically when the peak-load function finishes.

Liquid dispensing connection

External liquid dispensing pumps with a “container empty” indicator or flowmeter can be used to dispense liquid detergents.

The dispensing pumps can only be programmed by the Miele Customer Service Department using the Miele Diagnostic Support system (MDU).

It is particularly important to observe manufacturer’s instructions when using a combination of cleaning agents and special application products.

Payment device

The washing machine can be fitted with a single-machine payment system as an optional accessory via the Connector Box.

The programming required for connecting a payment system can be carried out during the initial commissioning process. After initial commissioning, changes may only be carried out by your Miele dealer or the Miele Customer Service Department.

WiFi/LAN interface

The washing machine is equipped with a WiFi/LAN interface for exchanging data.


The data interface provided on the LAN connection complies with SELV (Safety Extra Low Voltage) in accordance with EN 60950. The LAN connection uses a RJ45 connector in accordance with EIA/TIA 568-B.

Connected appliances must also comply with SELV.

Plinth (APWM 029/033)

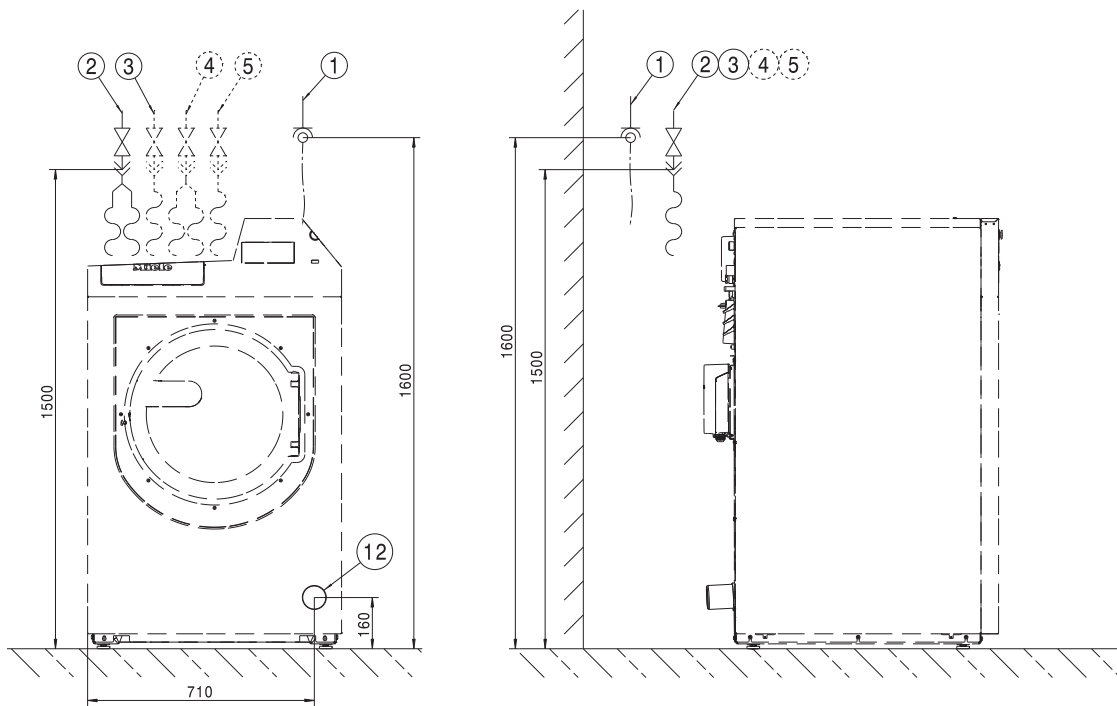
The washing machine can be installed on a plinth (open or box plinth, available as an optional Miele accessory).

Elevating the washing machine gives a better ergonomic working position when loading or unloading. It also simplifies the installation of a drain connection.

 The washing machine must be secured to the plinth immediately after installation! The plinth must be secured to the floor! There is a risk of the washing machine falling off a raised plinth during a spin cycle if it is not secured.

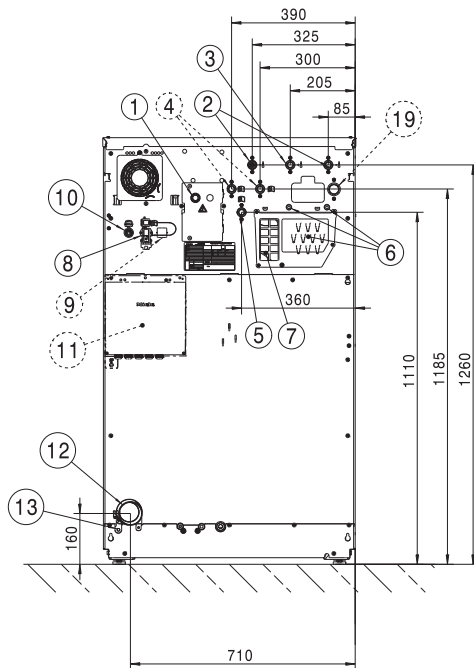
Installation

Standard



Dimensions in mm

- ① Electrical connection
- ② Cold water connection
- ③ Warm water connection/hot water connection (for EH and RH variants)
- ④ Cold water connection for hard water (optional)
- ⑤ Cold water connection for liquid dispensing
- ⑫ Drain pipe

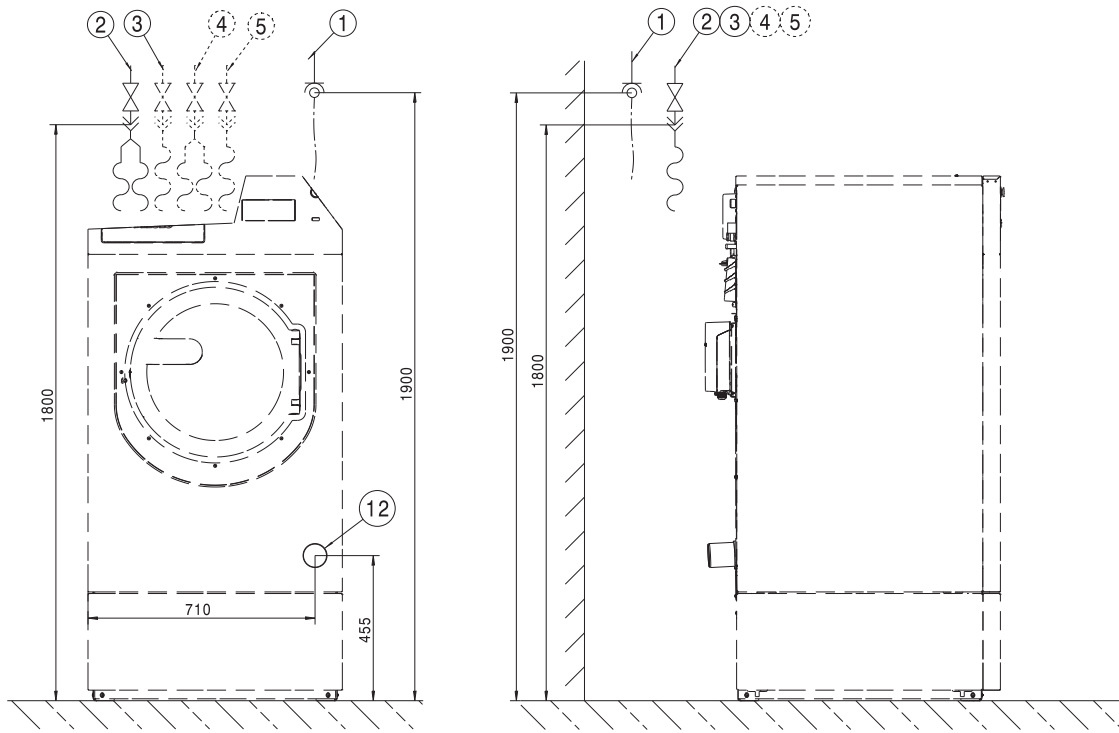


Dimensions in mm

- | | |
|---|--|
| ① Electrical connection | ⑧ Connector Box connection |
| ② Cold water connection | ⑨ Connector Kit connection (optional) |
| ③ Warm water connection/hot water connection (for EH and RH variants) | ⑩ LAN connection |
| ④ Cold water connection for hard water (optional) | ⑪ Connector Box (optional) |
| ⑤ Cold water connection for liquid dispensing | ⑫ Drain pipe |
| ⑥ Dispensing pump connections | ⑬ Connection for equipotential bonding |
| ⑦ Overflow and ventilation | ⑭ Water recovery connection (optional) |

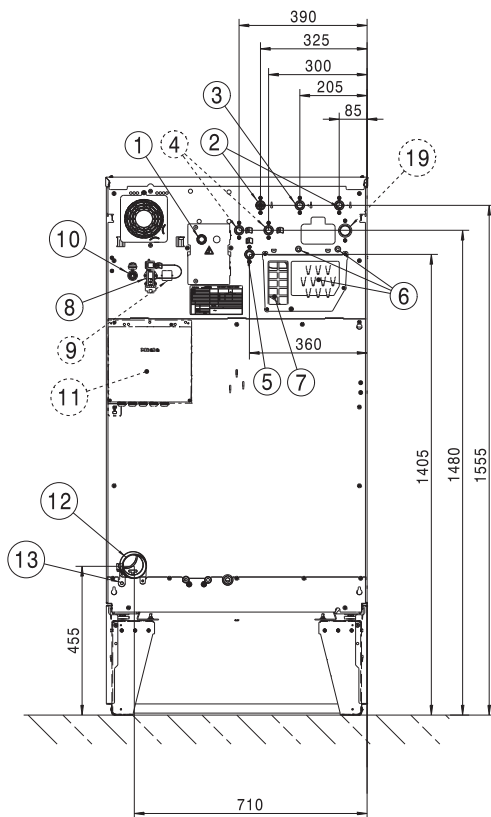
Installation

Plinth



Dimensions in mm

- ① Electrical connection
- ② Cold water connection
- ③ Warm water connection/hot water connection (for EH and RH variants)
- ④ Cold water connection for hard water (optional)
- ⑤ Cold water connection for liquid dispensing
- ⑫ Drain pipe

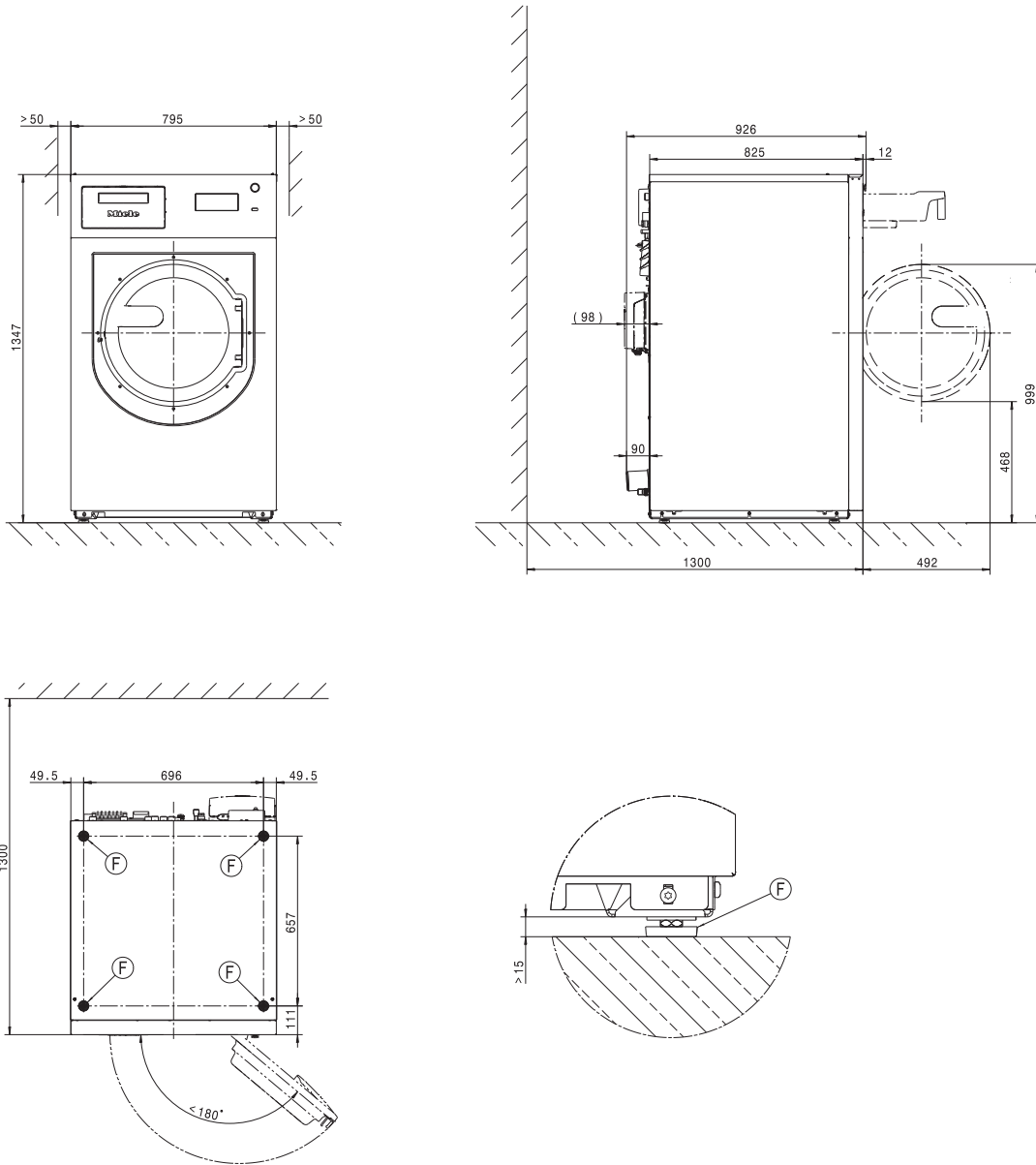


Dimensions in mm

- | | |
|---|--|
| ① Electrical connection | ⑧ Connector Box connection |
| ② Cold water connection | ⑨ Connector Kit connection (optional) |
| ③ Warm water connection/hot water connection (for EH and RH variants) | ⑩ LAN connection |
| ④ Cold water connection for hard water (optional) | ⑪ Connector Box (optional) |
| ⑤ Cold water connection for liquid dispensing | ⑫ Drain pipe |
| ⑥ Dispensing pump connections | ⑬ Connection for equipotential bonding |
| ⑦ Overflow and ventilation | ⑭ Water recovery connection (optional) |

Installation

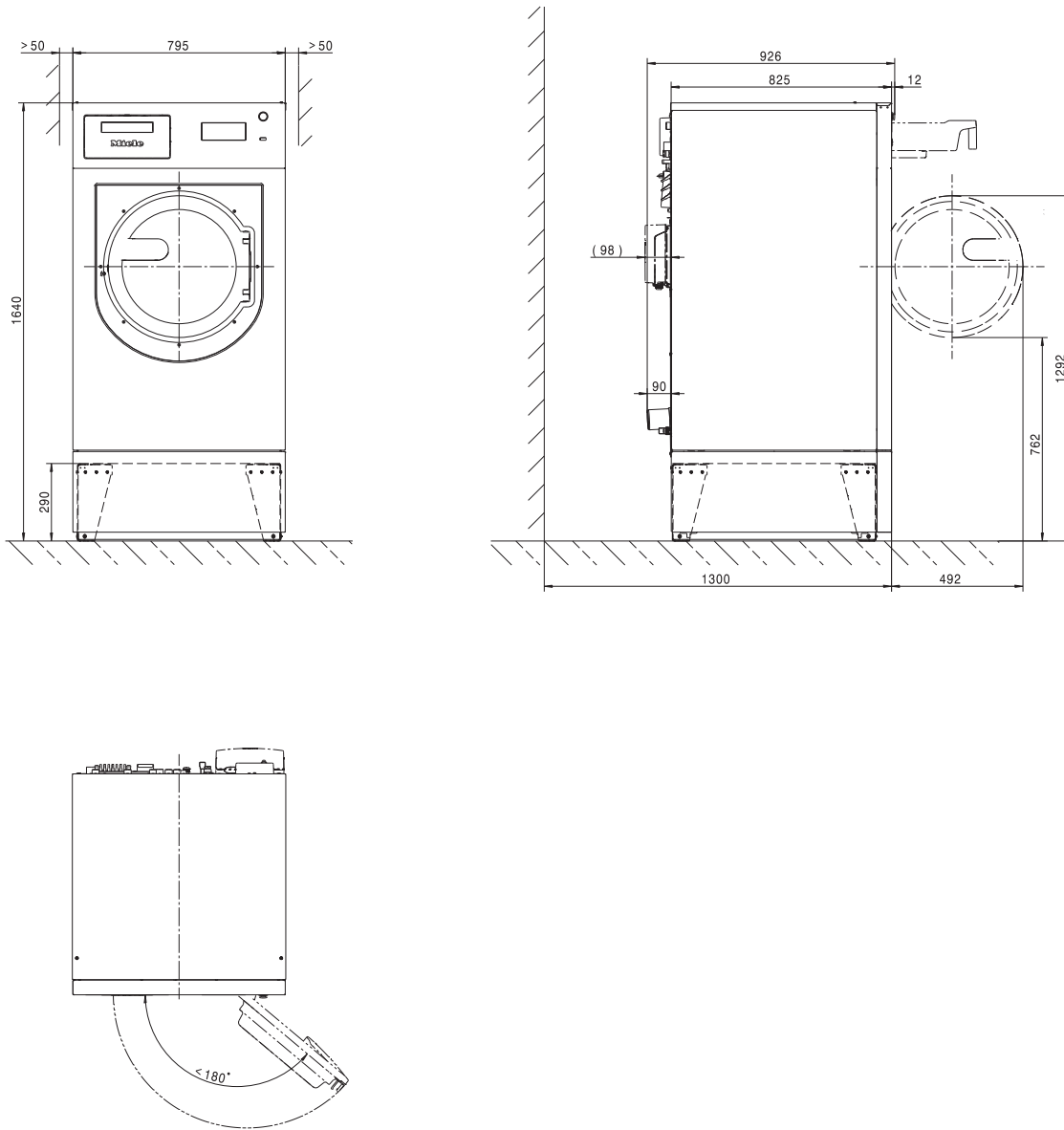
Standard



Dimensions in mm

ⓕ Machine foot

Plinth

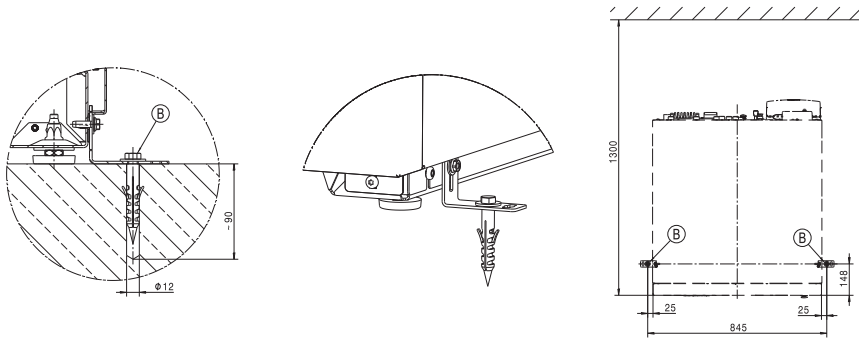


Dimensions in mm

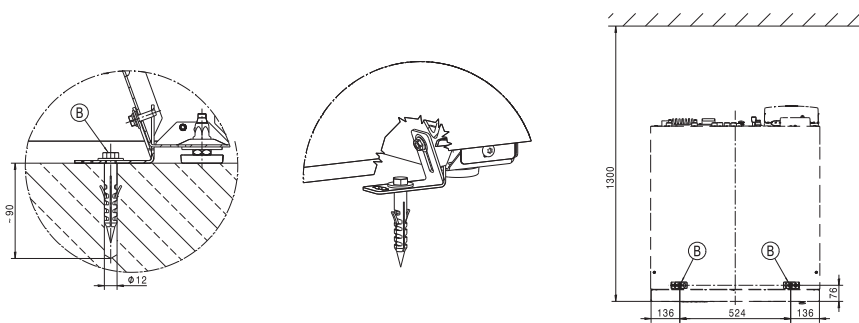
Installation

Floor anchoring

Standard



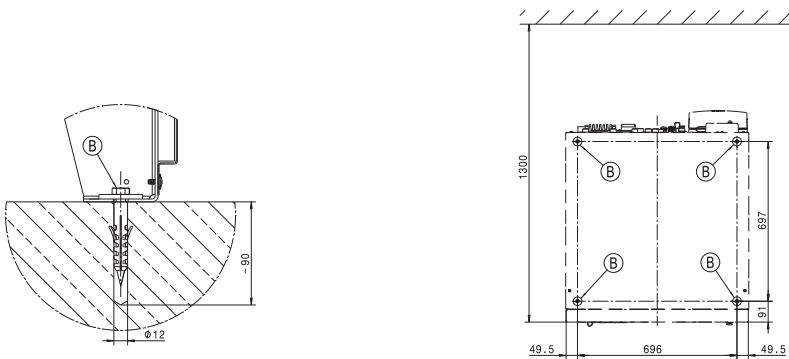
Multiple side-by-side installation



Marine applications



Plinth



Dimensions in mm

ⓑ Screw/anchor point

Voltage versions and electrical data

3N AC 400 V EL

Supply voltage	3N AC 400 V
Frequency	50/60 Hz
Required fuse rating (on site)	16 A
Power rating	9,6 kW
Connection cable, min. cross-section	2,5 mm ²

3N AC 400 V RH

Supply voltage	3N AC 400 V
Frequency	50/60 Hz
Required fuse rating (on site)	16 A
Power rating	9,6 kW
Connection cable, min. cross-section	2,5 mm ²

3 AC 230 V EL

Supply voltage	3 AC 230 V
Frequency	50/60 Hz
Required fuse rating (on site)	35 A
Power rating	9,6 kW
Connection cable, min. cross-section	4 mm ²

3 AC 400 V EL

Supply voltage	3 AC 400 V
Frequency	50/60 Hz
Required fuse rating (on site)	16 A
Power rating	9,6 kW
Connection cable, min. cross-section	2,5 mm ²

3 AC 440/480 V EL

Supply voltage	3 AC 440/480 V
Frequency	50/60 Hz
Required fuse rating (on site)	16 A
Power rating	8,8/10,4 kW
Connection cable, min. cross-section	2,5 mm ²

Technical data

Plumbing

Cold water connection

Required flow pressure	100 - 1000 kPa (1 - 10 bar)
Maximum flow rate	31,5 l/min
Threaded union required (male thread, to be provided by customer in accordance with DIN 44991, flat sealing)	3 x 3/4"
Length of water inlet hose supplied	3 x 1550 mm

Hot water connection

Maximum permissible hot water temperature	60 °C
Required flow pressure	100 - 1000 kPa (1 - 10 bar)
Maximum flow rate	16 l/min
Threaded union required (male thread, in accordance with DIN 44991, flat sealing)	1 x 3/4"
Length of water inlet hose supplied	1550 mm

Hot water connection (for variants without heating or with reduced heater rating)

Maximum permissible hot water temperature	90 °C
Required flow pressure	100 - 1000 kPa (1 - 10 bar)
Maximum flow rate	16 l/min
Threaded union required (male thread, in accordance with DIN 44991, flat sealing)	1 x 1"
Length of water inlet hose supplied	1550 mm

Hard water connection (optional)

Required flow pressure	100 - 1000 kPa (1 - 10 bar)
Maximum flow rate	32 l/min
Threaded union required (male thread, in accordance with DIN 44991, flat sealing)	2 x 3/4"
Length of water inlet hose supplied	2 x 1550 mm

Drainage

Maximum drain water temperature	95 °C
Waste water connection (on machine)	Plastic pipe HT DN 70
Drain (on site)	Connection DN 70
Maximum drainage rate	200 l/min

Connection for equipotential bonding

Male thread	M10
Toothed washers	M10

Installation dimensions

Casing width (without add-on components)	795 mm
Casing height (without add-on components)	1347 mm
Casing depth (without add-on components)	825 mm
Overall machine width	799 mm
Overall machine height	1350 mm
Overall machine depth	926 mm
Minimum width of transport opening	895 mm
Minimum safety distance between wall and appliance front	1300 mm
Diameter of door opening	415 mm
Door opening angle	180°

Anchoring

Standard

Required anchor points	2
DIN 571 wood screw (diameter x length)	12 mm x 90 mm
Rawl plugs (diameter x length)	16 mm x 80 mm

With plinth (APWM UO/UG)

Required anchor points	4
DIN 571 wood screw (diameter x length)	12 mm x 90 mm
Rawl plugs (diameter x length)	16 mm x 80 mm

Concrete plinth

Required anchor points	2
DIN 571 wood screw (diameter x length)	12 mm x 90 mm
Rawl plugs (diameter x length)	16 mm x 80 mm

Transport data, weight and floor load

Models with detergent drawer (DD)

Packaging width	1210 mm
Packaging height	1480 mm
Packaging depth	1130 mm
Gross volume	1823 l
Gross weight*	290 kg
Net weight*	271 kg
Max. floor load in operation*	4402 N

*depending on equipment configuration

Emissions data

Sound pressure level at workplace, washing	51 dB (A)
Sound power level, washing	60,0 dB (A)
Sound pressure level at workplace, spinning	65 dB (A)
Sound power level, spinning	77,0 dB (A)
Average heat dissipation rate to installation room	6,48 MJ/h

United Kingdom

Miele Co. Ltd., Fairacres, Marcham Road
Abingdon, Oxon, OX14 1TW
Professional Sales, Tel: 0845 365 6608
E-mail: professional@miele.co.uk
Internet: www.miele.co.uk/professional

Australia

Miele Australia Pty. Ltd.
ACN 005 635 398, ABN 96 005 635 398
Level 4, 141 Camberwell Road, Hawthorn East, VIC 3123
Tel: 1300 731 411
Internet: www.miele.com.au/professional
E-mail: sales@miele-professional.com.au

China Mainland

Miele Electrical Appliances Co., Ltd.
1-3 Floor, No. 82 Shi Men Yi Road
Jing' an District, 200040 Shanghai, PRC
Tel: +86 21 6157 3500, Fax: +86 21 6157 3511
E-mail: info@miele.cn, Internet: www.miele.cn

Hong Kong, China

Miele (Hong Kong) Ltd.
41/F - 4101, Manhattan Place
23 Wang Tai Road, Kowloon Bay, Hong Kong
Tel: (852) 2610 1025, Fax: (852) 3579 1404
Email: customerservices@miele.com.hk
Website: www.miele.hk

India

Miele India Pvt. Ltd.
1st Floor, Copia Corporate Suites,
Commercial Plot 9, Mathura Road, Jasola,
New Delhi - 110025
E-mail: customercare@miele.in, Website: www.miele.in

Ireland

Miele Ireland Ltd.
2024 Bianconi Ave., Citywest Business Campus, Dublin 24
Tel: (01) 461 07 10, Fax: (01) 461 07 97
E-Mail: info@miele.ie, Internet: www.miele.ie

Malaysia

Miele Sdn Bhd
Suite 12-2, Level 12
Menara Sapura Kencana Petroleum
Solaris Dutamas No. 1, Jalan Dutamas 1
50480 Kuala Lumpur, Malaysia
Phone: +603-6209-0288
Fax: +603-6205-3768

New Zealand

Miele New Zealand Limited
IRD 98 463 631
8 College Hill
Freemans Bay, Auckland 1011, NZ
Tel: 0800 464 353
Internet: www.miele.com.au/professional
E-mail: sales@miele-professional.com.au

Singapore

Miele Pte. Ltd.
29 Media Circle, #11-04 ALICE@Mediapolis
Singapore 138565
Tel: +65 6735 1191, Fax: +65 6735 1161
E-Mail: info@miele.com.sg
Internet: www.miele.sg

South Africa

Miele (Pty) Ltd
63 Peter Place, Bryanston 2194
P.O. Box 69434, Bryanston 2021
Tel: (011) 875 9000, Fax: (011) 875 9035
E-mail: info@miele.co.za
Internet: www.miele.co.za

United Arab Emirates

Miele Appliances Ltd.
Showroom 1, Eiffel 1 Building
Sheikh Zayed Road, Umm Al Sheif
P.O. Box 114782 - Dubai
Tel. +971 4 3044 999, Fax. +971 4 3418 852
800-MIELE (64353)
E-Mail: info@miele.ae, Website: www.miele.ae



Manufacturer: Miele & Cie. KG
Carl-Miele-Straße 29, 33332 Gütersloh, Germany