

### 3. Maintenance

#### 3.3 Before removing the filter



#### 3.4 Maintenance fine dust filter



Miele

Miele



Quick Start Guide

TRIFLEX HX1

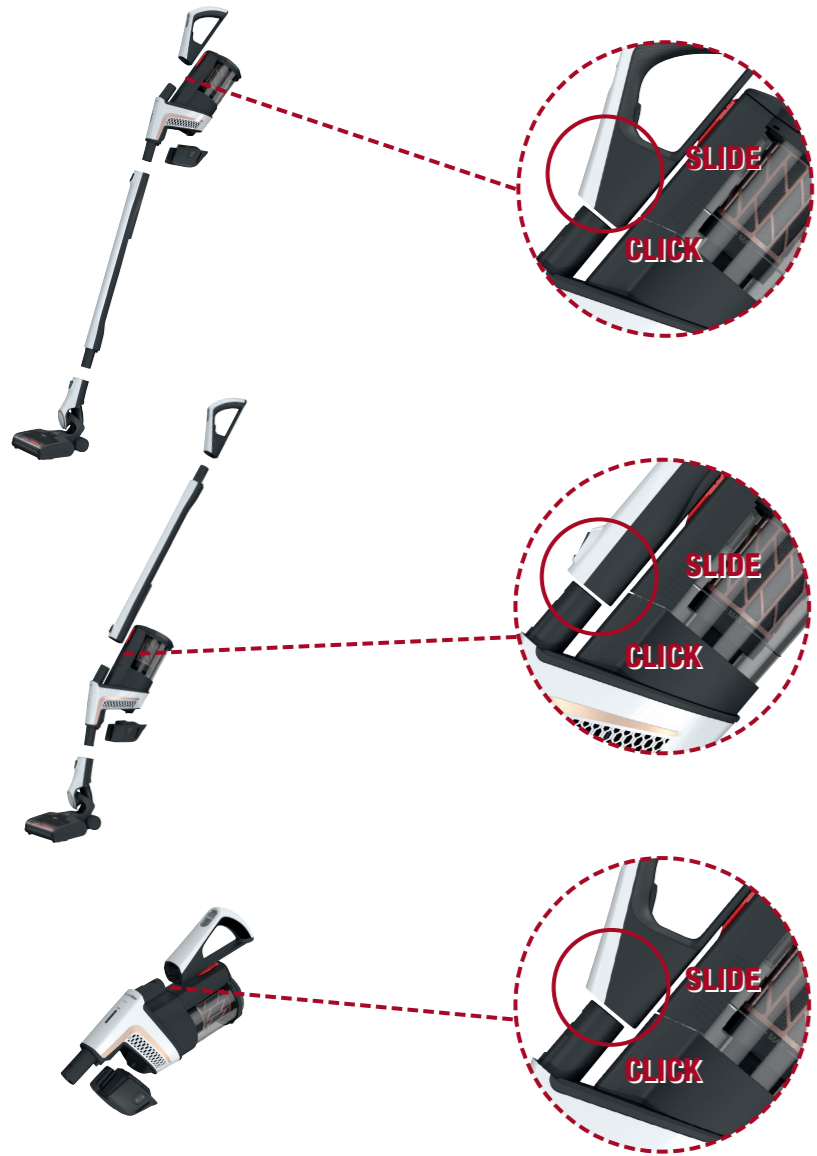


These short instructions are not a substitute for the operating instructions supplied with the machine. Please read the operating instruction manual and pay particular attention to the Warning and Safety instructions.

M.-Nr. 11987410

# 1. Installation

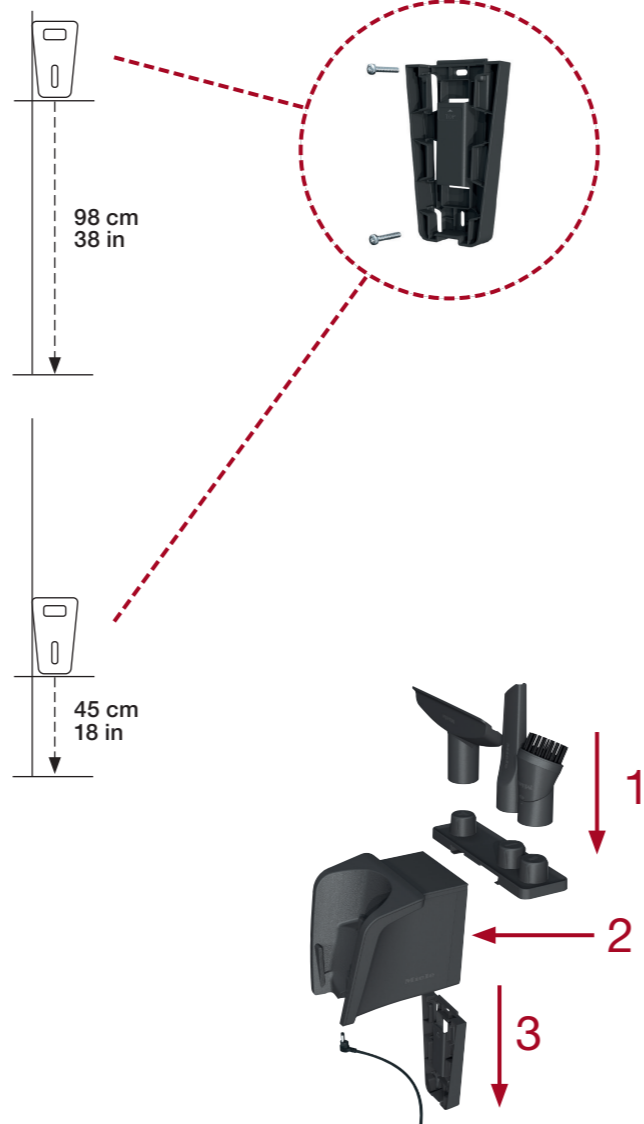
## 1.1 Assembly



## 1.2 Wall mount

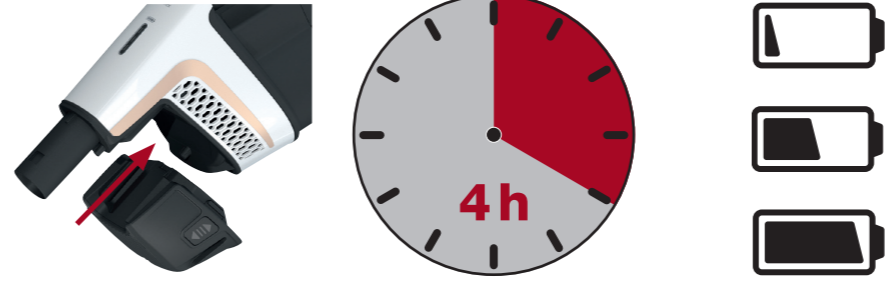


## 1.3 Assembly



# 2. Operation

## 2.1 Initial activation by charging the battery in the device



## 2.2 Power settings



- Min. Light soiling
- Eco Regular soiling
- Max. Strong soiling

# 3. Maintenance

## 3.1 Before Emptying



## 3.2 Emptying

