










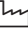




Operating and installation instructions Fridge-freezer



It is **essential** to read these operating and installation instructions before installing and using the appliance. This prevents both personal injury and damage to the appliance.

Contents

Warning and Safety instructions	5
Caring for the environment	17
Installation	18
Location	18
Climate range	18
Installation notes	19
Adjoining cabinets/units	19
Load-bearing capacity of the niche floor	20
Ventilation	20
Side-by-side units	21
Specifications for the mains water connection	22
Installation dimensions	23
Dimensions with appliance doors open (opening angle 90°/115°)	25
Dimensions of furniture fronts	26
Installing the appliance	27
Before you start	27
Tools required	27
Weight of furniture fronts	28
Aligning the installation niche	28
Checking the installation niche	29
Before installation	30
Preparing the installation niche	31
Pushing the appliance into the niche	33
Aligning the appliance	35
Securing the appliance in the niche	38
Preparing to install the furniture fronts	39
Securing and aligning the furniture fronts	42
Securing the covers	47
Securing the plinth ventilation grille and plinth cover	49
Limiting the opening angle of the appliance doors	50
Water connection	51
Information about the mains water connection	51
Connecting the appliance to the mains water supply	52
Electrical connection	53
Saving energy	54
Guide to the appliance	56
Main screen	58
Settings mode 	59
Accessories	61
Accessories supplied	61

Optional accessories	61
Active AirClean filter holder.....	61
Using for the first time	62
Before using for the first time.....	62
Closing the fridge zone doors	62
Choosing the right Door assistant (Push2open/Pull2open)	62
Inserting the Active AirClean filters	63
Miele@home.....	63
Operating the refrigeration appliance.....	64
Using for the first time	65
Switching on and off.....	67
Switching off for longer periods of time.....	68
Selecting further settings.....	69
Switching the Keypad lock  /  on or off	69
Switching Eco mode  on or off.....	69
Carrying out a Self test 	70
Switching Condensation protection  on and off	71
Switching on the Door assistant 	71
Switching off the Door assistant 	73
Miele@home	74
Switching off Demo mode 	75
Resetting the settings to their factory default settings 	76
Switching Holiday mode  on or off.....	78
Switching Sabbath mode  on or off	79
Switching on, switching off, or resetting the Water filter display 	80
Switching on, switching off, or resetting the Display Active AirClean filter 	82
The correct temperature.....	83
... in the fridge zone and in the MasterFresh zone.....	83
... in the freezer zone	84
Setting the temperature	84
Temperature range.....	85
Using SuperCool and SuperFreeze	86
Temperature and door alarm	88
Adjusting the interior fittings.....	90
Moving or removing the shelves in the appliance door	90
Moving or removing the adjustable shelves.....	90
Removing the hanging drawer	91
Removing compartments from the refrigerator	92
Removing the freezer baskets	92
Removing the ice cube container.....	93

Contents

Storing food in the refrigerator section	94
Different storage zones	94
Food which is not suitable for storage in the refrigerator	95
Notes on buying food.....	95
Storing food correctly	95
Storing food in the MasterFresh zone	96
MasterFresh zone.....	96
Humidity-controlled compartment with moisture adjustment.....	96
Dry compartment with low temperature	98
Freezing and storing food	100
Freezing fresh food	100
Storing frozen food	100
Home freezing.....	101
Before placing food in the appliance	101
Placing food in the freezer.....	102
Making ice cubes	104
Automatic defrosting	106
Cleaning and care	107
Cleaning agents	107
Before cleaning the appliance	108
Cleaning the interior and accessories	108
Cleaning the door seal.....	109
Cleaning the ventilation gaps	109
Cleaning the water filter (IntensiveClear mesh filter)	109
Replacing the Active AirClean filters	111
After cleaning	112
Water filter	113
Problem solving guide	114
Noises	000
Service	125
Contact in case of fault.....	125
Warranty	125
Copyright and licences	126

Warning and Safety instructions


This refrigeration appliance complies with current local and national safety requirements. However, inappropriate use can lead to personal injury and damage to property.

Please read the operating and installation instructions carefully before using the refrigeration appliance for the first time. They contain important information on safety, installation, use and maintenance of the appliance. This is to protect yourself from injury and from damaging your refrigeration appliance.

In accordance with standard IEC 60335-1, Miele expressly and strongly advises that you read and follow all information provided concerning the installation of the refrigeration appliance, as well as safety notes and warnings.

Miele cannot be held liable for injury or damage caused by non-compliance with these instructions.

Keep these instructions in a safe place and pass them on to any future owner.

 Risk of injury and damage due to the refrigeration appliance tipping over.

This refrigeration appliance is very heavy and can tip forwards when the doors are open.

Keep the appliance doors shut until the appliance has been built in and secured in its installation niche in accordance with the operating and installation instructions.

Warning and Safety instructions

Correct application

▶ This appliance is designed for domestic use and for use in similar environments by guests in hotel or motel rooms, bed & breakfasts and other typical living quarters. This does not include common/shared facilities or commercial facilities within hotels, motels or bed & breakfasts.

This appliance is not suitable for outdoor use.

▶ This appliance is intended for cooling and storing food and drinks as well as for storing deep-frozen food, freezing fresh food and for making ice.

Any other usage is not supported by the manufacturer and could be dangerous.

▶ This appliance is not suitable for storing and keeping cool medicines, blood plasma, laboratory preparations or similar substances or products. Incorrect use of the appliance for such purposes may cause deterioration of the items stored.

The appliance is also not suitable for use in areas where there is a risk of explosion.

Miele cannot be held liable for damage resulting from incorrect or improper use or operation of the appliance.

▶ This appliance is not intended for use by persons (including children) with reduced physical, sensory or mental capabilities or lack of experience and knowledge, unless they have been given supervision and instruction concerning its use by a person responsible for their safety.

They may only use the appliance unsupervised if its operation has been clearly explained to them and they are able to use it safely and are able to understand and recognise the possible dangers caused by incorrect operation.

Safety with children

- ▶ Young children must not be allowed to use this appliance.
- ▶ Older children may only use the appliance when its operation has been clearly explained to them and they are able to use it safely, recognising the dangers of misuse.
- ▶ Cleaning work may only be carried out by older children under the supervision of an adult.
- ▶ Please supervise children in the vicinity of the appliance and do not let them play with it.
- ▶ Risk of death. Please bear in mind that removing the dividing panel in the large freezer basket may tempt children to climb inside the freezer basket.
- ▶ The appliance door hinges can cause injury. Keep children away at all times.
- ▶ Danger of suffocation! Children may be able to wrap themselves in packing material (e.g. foil) or pull it over their head with the risk of suffocation. Keep packaging material away from children.

Warning and Safety instructions

Technical safety

▶ The refrigerant circuit has been checked for leaks. The refrigeration appliance complies with all current local and national safety requirements.



▶ Warning: Risk of fire / Flammable materials.

The refrigerant inside the appliance (details on the data plate) is environmentally friendly but flammable.

The use of this refrigerant does, however, sometimes lead to a slight increase in the noise level of the appliance. In addition to the noise of the compressor, you might be able to hear the refrigerant flowing around the system. Unfortunately, these effects cannot be avoided, but they do not affect the performance of the refrigeration appliance.

When transporting and installing the refrigeration appliance, ensure that no parts of the cooling circuit are damaged. Splashes of refrigerant can damage the eyes and leaking refrigerant can ignite.

In the event of any damage:

- Avoid naked flames or anything which creates a spark.
- Disconnect the refrigeration appliance from the mains electricity supply.
- Ventilate the room in which the appliance is located for several minutes.
- Call Miele.

▶ The more refrigerant there is in a refrigeration appliance, the larger the room should be in which it is installed. In the event of a leakage, if the appliance is in a small room, there is the danger of a combustible gas/air mixture building up. For every 8 g of refrigerant, at least 1 m³ of room space is required. The amount of refrigerant in the refrigeration appliance is stated on the data plate inside the appliance.

Warning and Safety instructions

- ▶ To avoid the risk of damage to the appliance, make sure that the connection data (fuse rating, frequency and voltage) on the data plate corresponds to the household supply. Check that this is the case before connecting the appliance. Consult a qualified electrician if in any doubt.
- ▶ The electrical safety of this appliance can only be guaranteed when correctly earthed. It is essential that this standard safety requirement is met. If in any doubt please have the electrical installation tested by a qualified electrician.
- ▶ Temporary or permanent operation with a self-sufficient or non-mains synchronous energy supply system (e.g. isolated networks, back-up systems) is possible. A requirement for the operation is that the energy supply system complies with all current local and national requirements that apply to stand-alone, solar and/or battery systems. The protective measures provided in the installation and in this Miele product must also be assured in their function and operation in isolated operation or in non-mains synchronous operation, or replaced with equivalent measures in the installation.
- ▶ The socket must not be concealed behind the appliance and must be easily accessible so that the appliance can be quickly disconnected from the electricity supply in case of an emergency.
- ▶ If the electrical connection cable supplied is damaged, it must only be replaced by an original spare part to prevent a hazard for the user. Miele can only guarantee the safety of the appliance when original Miele parts are used. For safety reasons, replacement may only be carried out by a suitably qualified specialist or Miele Customer Service.
- ▶ Do not connect the appliance to the mains electricity supply by a multi-socket unit or an extension lead. These do not guarantee the required safety of the appliance (e.g. danger of overheating).
- ▶ If moisture gets into electrical components or into the mains connection cable, it could cause a short circuit. Therefore, do not operate this refrigeration appliance in areas which are exposed to moisture (e.g. in a garage or laundry).
- ▶ This appliance must not be installed and operated in mobile installations (e.g. on a ship).
- ▶ Do not use a damaged appliance. It could be dangerous. Check the appliance for visible signs of damage.

Warning and Safety instructions

- ▶ For safety reasons, this appliance may only be used when it has been fully installed.
- ▶ The appliance must be disconnected from the power supply during installation, maintenance and repair work, and during installation work on the mains water connection. It is only completely isolated from the power supply when:
 - the mains circuit breaker is switched off, or
 - the screw-out fuse is removed (in countries where this is applicable), or
 - it is switched off at the wall socket and the plug is withdrawn from the socket.
- ▶ Unauthorised installation, maintenance and repairs, or a faulty mains water connection can result in considerable danger for the user.
Maintenance and repairs, installation work on the mains water connection, and all repairs on the ice/water outlet must only be carried out by a Miele authorised technician.
- ▶ The manufacturer's warranty will be invalidated if the appliance is not repaired by a Miele authorised technician.
- ▶ Faulty components must only be replaced with genuine Miele original spare parts. Miele can only guarantee the safety standards of the appliance when Miele spare parts are used.
- ▶ This refrigeration appliance is supplied with a special lamp to cope with particular conditions (e.g., temperature, moisture, chemical resistance, abrasion resistance and vibration). This lamp must only be used for the purpose for which it is intended. The lamp is not suitable for room lighting. Replacement lamps may only be replaced by a Miele authorised technician. This refrigeration appliance contains several light sources with at least energy efficiency class F.
- ▶ Miele cannot be held liable for damage caused by a faulty water connection.
- ▶ The ice cube maker must only be connected to a cold water supply.
- ▶ Danger of injury! Ensure that you do not come into contact with moving parts on the dispensing mechanism of the ice cube maker or the heating element on the ice cube maker.

Warning and Safety instructions

▶ In areas which may be subject to infestation by cockroaches or other vermin, pay particular attention to keeping the appliance and its surroundings clean at all times. Any damage caused by cockroaches or other vermin will not be covered by the warranty.

Warning and Safety instructions

Correct use

- ▶ This refrigeration appliance is designed for use within specific ambient temperatures (climate range). Do not use it in ambient temperatures for which it is not designed. The climate class is stated on the data plate inside the refrigeration appliance. A lower ambient temperature will cause the compressor to switch off for longer periods, meaning that the refrigeration appliance is unable to maintain the required temperature.
- ▶ To ensure proper air flow in and out of the appliance, the ventilation gaps in the appliance and built-in structure must not be covered or blocked in any way. This would also increase the energy consumption and could cause damage to the appliance.
- ▶ If storing food which contains a lot of fat or oil in the appliance or the appliance door, make sure that it does not come into contact with plastic components as this could cause stress cracks or break the plastic. Make sure that no fat or oil leaks onto the plastic parts of the appliance.
- ▶ Risk of fire and explosion! Do not store any explosive materials or products containing flammable propellants (e.g. spray cans) in the refrigeration appliance. Electrical components can cause flammable mixes of gases to ignite.
- ▶ Danger of explosion! Do not operate any electrical equipment (e.g. an electric ice cream maker) inside the appliance. Danger of sparking and explosion.
- ▶ Risk of injury and damage! Do not store cans or bottles containing carbonated drinks or liquids which could freeze in the freezer zone. They could burst.
- ▶ Risk of injury and damage! When chilling drinks in the freezer zone, make sure that bottles are not left in for more than one hour. Otherwise they could burst, causing injury or damage.
- ▶ Danger of injury! Never handle frozen food or the metal parts of the appliance with wet hands. Your hands may freeze to the frozen food or to the metal.
- ▶ Danger of injury! Do not take ice cubes out with your bare hands and never place ice cubes or ice lollies in your mouth straight from the freezer zone. The very low temperature of the frozen goods can cause frost burn to the lips and tongue.

Warning and Safety instructions

- ▶ Do not refreeze thawed or partially thawed food. Defrosted food should be used up as quickly as possible, as food soon loses its nutritional value and goes off. Defrosted food may only be refrozen after it has been cooked.
- ▶ Food stored for too long may present a risk of food poisoning. Storage times will depend on several factors, including the freshness and quality of the food, as well as the temperature at which it is stored. Follow the instructions given on the food manufacturer's packaging regarding storage conditions and use-by dates.

Warning and Safety instructions

Accessories and spare parts

- ▶ Only use original Miele accessories. Using spare parts or accessories from other manufacturers will invalidate the warranty, and Miele cannot accept liability.
- ▶ Miele will guarantee to supply functional spare parts for a minimum of 10 years and up to 15 years following the discontinuation of your refrigeration appliance.

Cleaning and care

- ▶ Do not use any oils or grease on the door seals, as these will cause the seals to deteriorate and become porous with time.
- ▶ Warning: Do not use any mechanical tools or other types of aid which are not recommended by the manufacturer to accelerate the defrosting process.
- ▶ Do not use a steam cleaning appliance to clean this appliance. Steam could reach the electrical components and cause a short circuit.
- ▶ Sharp edged or pointed objects will damage the evaporator, causing irreversible damage to the appliance. Do not use sharp edged or pointed objects to
 - remove frost and ice, or accelerate the defrosting process,
 - separate frozen foods and remove ice trays.
- ▶ Never place electric heaters or candles in the appliance to defrost it. These can damage the plastic parts.
- ▶ Do not use defrosting sprays or de-icers, as they might contain substances which could damage the plastic parts or which could cause a build-up of gases and pose a danger to health.

Transport

- ▶ To avoid damage to the appliance, always transport it upright and in its packaging.
- ▶ Risk of injury and damage! The refrigeration appliance is very heavy and must be transported by two people.

Disposal of your old appliance

- ▶ Children playing could become trapped in the refrigeration appliance and could suffocate.
 - Remove the appliance door(s).
 - Remove the drawers.
 - Leave the adjustable shelves in the refrigeration appliance so children cannot climb inside.
 - If your old refrigeration appliance has a door lock, destroy it. This way you will prevent the risk of playing children accidentally locking themselves in and endangering their lives.
- ▶ Risk of electric shock!
 - Cut the electrical plug off the power supply cord.
 - Cut the power supply cord off the old appliance.

Dispose of the electrical plug and power supply cord separately from the old appliance.

- ▶ During and after disposal, make sure that the refrigeration appliance is not placed near petrol or other flammable gases and liquids.

- ▶ Risk of fire due to escaping oil or refrigerant!

The refrigerant and oil inside the appliance are flammable. In high enough concentrations, escaping refrigerant or oil may ignite if they come into contact with an external heat source.

During disposal, make sure that the cooling circuit is not damaged in order to prevent refrigerant and oil escaping in an uncontrolled manner (see the data plate for details of the refrigerant).

- ▶ Splashes of coolant can damage the eyes. Be careful not to damage any part of the pipework whilst awaiting disposal, e.g. by
 - puncturing the refrigerant channels in the condenser,
 - bending any pipework, or
 - scratching the surface coating.

Warning and Safety instructions

Symbol on the compressor (depending on model)

This information is only relevant for recycling. There is no risk during normal operation.



- ▶ The oil in the compressor can be fatal if swallowed or if it penetrates the airways.

Disposal of the packing material

The transport and protective packaging has been selected from materials which are environmentally friendly for disposal, and can normally be recycled.

Recycling the packaging reduces the use of raw materials in the manufacturing process and also reduces the amount of waste in landfill sites.

Ensure that any plastic wrappings, bags etc. are disposed of safely and kept out of the reach of babies and young children. Danger of suffocation.

Only for Australia: Note for installer: Expanded polystyrene (EPS) packaging included. Please retain and dispose of EPS packaging responsibly. For further information, please contact Miele.

Disposing of your old appliance

Electrical and electronic appliances contain many valuable materials. They also contain certain materials, compounds, and components which were essential for their correct functioning and safety. These could be hazardous to human health and to the environment if disposed of with general waste or if handled incorrectly. Please do not, therefore, dispose of your old appliance with your household waste.



Take care not to damage your refrigeration appliance before or during disposal in an authorised, environmentally friendly manner. This is to ensure that refrigerant in the cooling circuit and oil in the compressor is contained, and will not leak into the environment.

Please dispose of it at your local community waste collection/recycling centre for electrical and electronic appliances, or contact Miele. You are also responsible for deleting any personal data that may be stored on the appliance prior to disposal. You should remove any old batteries which are not securely enclosed by the appliance and remove any lamps without destroying them, where this is possible. These must be taken to a suitable collection point where they can be handed in free of charge. Please ensure that your old appliance presents no danger to children while being stored awaiting disposal.

Installation

Location

This appliance should be installed in a dry, well-ventilated room.

When deciding where to install your refrigerator, please bear in mind that it will use more energy if installed near a heater, cooktop or other appliance that gives off heat. Direct sunlight should also be avoided.

The higher the room temperature, the longer the compressor will run and the higher the energy consumption will be.

Please note the following when installing the appliance:

- The mains socket must not be located directly behind the appliance and must be easily accessible.
- The plug and the power cable must not touch the rear of the refrigeration appliance as they could be damaged by vibrations from the appliance.
- Nor should other appliances be plugged into a socket located directly behind this appliance.

If installation near a heat source is unavoidable, observe the following minimum distances between the appliance and the heat source:

- at least 3 cm to electric or gas stoves
- at least 30 cm to oil or coal stoves.


If it is not possible to observe these minimum distances, an insulation plate must be installed between the refrigeration appliance and the heat source.

Climate range

This refrigeration appliance is designed for use within specific ambient temperatures (climate range). Do not use it in ambient temperatures for which it is not designed. The climate class is stated on the data plate inside the refrigeration appliance.

Climate range	Ambient temperature
SN	10 to 32 °C
N	16 to 32 °C
ST	16 to 38 °C
T	16 to 43 °C
SN-ST	10 to 38 °C
SN-T	10 to 43 °C

A lower ambient temperature leads to the compressor switching off for longer periods. This can cause the internal temperature in the appliance to rise with the risk of food deteriorating and going off.


 Risk of damage due to high humidity.

In environments with high humidity, condensation can build up on external appliance panels, which can cause corrosion.

Install the refrigeration appliance in a dry and/or air-conditioned room with sufficient ventilation.

After installation, make sure that the appliance doors close properly, the ventilation gaps are not covered and that the appliance has been installed in accordance with these operating and installation instructions.

Installation notes

 Danger of damage and injury due to the appliance tipping over!

This refrigeration appliance is very heavy and can tip forwards when the door(s) is/are open.

Keep the appliance door(s) shut until the appliance has been built in and secured in its housing in accordance with these operating and installation instructions.

Due to the size and weight of the appliance, installation must be carried out by two people.

Adjoining cabinets/units

The appliance is screwed to the adjoining cabinets/units to the side and above. For this reason, it is essential that all cabinets/units are fixed to the ground or wall.

Installation

Load-bearing capacity of the niche floor

To ensure the safe installation of the appliance and to guarantee its correct functioning, the floor of the niche where the appliance is to be installed must be smooth and even.

It must be made from strong, rigid material.

Because the appliance is extremely heavy when fully loaded, it is essential that the floor it stands on is able to bear its weight. If necessary, seek the advice of an architect or construction expert.

When fully loaded, the approx. weight of the appliance is:

KF 2981 Vi

518 kg

Ventilation



Risk of fire and damage due to insufficient ventilation.

If the refrigeration appliance is not ventilated sufficiently, the compressor will run more frequently and for longer periods.

This will result in increased energy consumption and a higher operating temperature of the compressor. This, in turn, can result in damage to the compressor.

Please ensure that there is adequate ventilation around the appliance.

It is essential to observe the required ventilation gaps. The ventilation gaps must not be covered or blocked in any way.

Side-by-side units

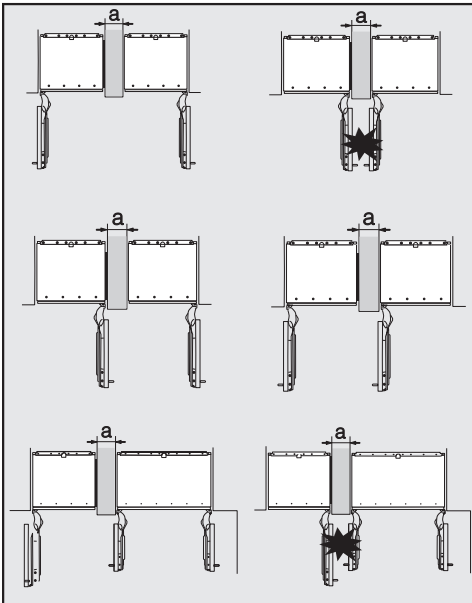
This appliance can be installed side by side with another refrigeration appliance. The following overview will show you which side-by-side installation options you have with your refrigeration appliance.

Depending on the installation situation, you may need the side-by-side installation kit (see “Accessories - Optional accessories”).

Instructions for installing appliances side by side can be found in the side-by-side installation kit installation instructions.

... with partition wall

The wall **a** between the side-by-side refrigeration appliances must be **at least 16 mm** thick.



If the door hinges of the appliances are next to each other, you must take into account the thickness of the cabinet fronts and door handles so that the appliance doors do not collide and become damaged if they are opened at the same time.

The appliances are secured individually in their niche using the supplied installation material.

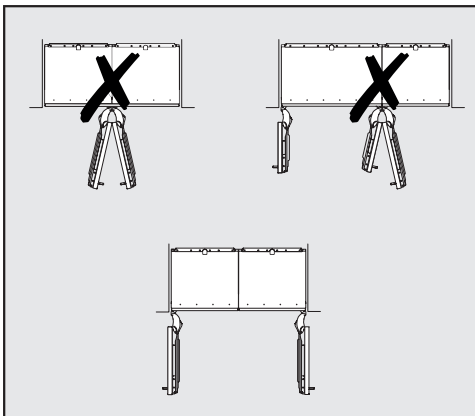
If the partition wall **a** is **between 16 mm and 160 mm**, you will need the side panel heater from the side-by-side installation kit to prevent condensation from forming and any resulting damage.

When planning installation niches, please note that the niche into which the refrigeration appliance with the side panel heater is installed must be **4 mm** wider (see “Installation – Installation dimensions”).

If the partition wall **a** is **thicker than 160 mm**, you do not need the side-by-side installation kit, nor the side panel heater.

Installation

... without partition wall

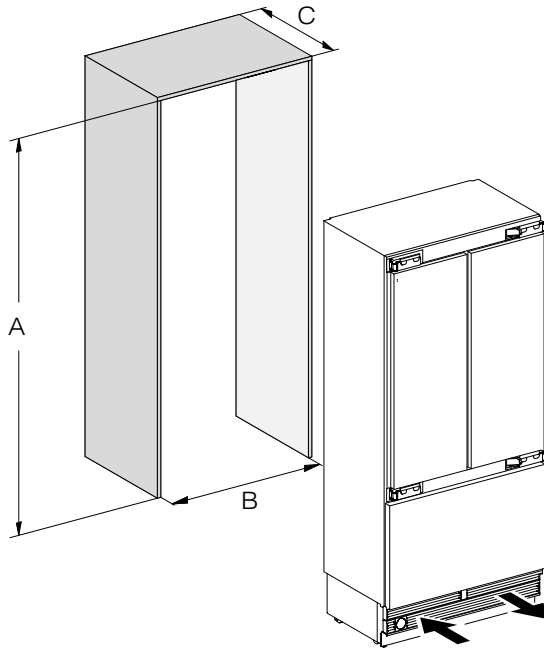


If the appliances are to be installed next to each other without a partition wall between them, they will need to be joined together with the side-by-side installation kit. In addition, you must install the side panel heater to prevent condensation from forming and any resulting damage.

Specifications for the mains water connection

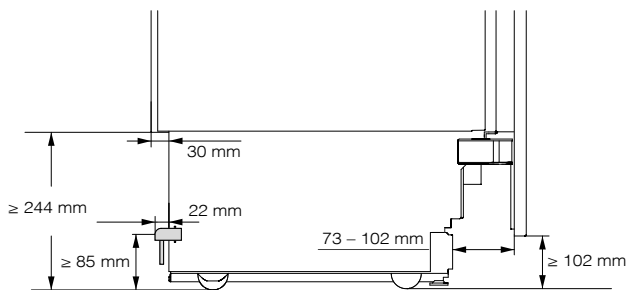
- Connection to the water supply must comply with the applicable regulations in the country where the appliance is being installed.
All units and systems used to supply water to the refrigeration appliance must also comply with the applicable regulations in the respective country.
- The appliance may only be connected to the water supply by a suitably qualified technician.
- The quality of the water used must conform to the requirements for drinking water in the country where the refrigeration appliance is being used.
- Connect the stainless steel hose to the fresh water supply and avoid connection to a water supply in which the water might stagnate.
- The appliance is only suitable for connection to a cold water line.
- The water pressure must be between 200 kPa and 800 kPa (2 and 8 bar).
- A tap must be provided between the stainless steel hose and the mains water supply to ensure that the water supply can be shut off if necessary.
- The tap should be easily accessible after the appliance has been built in.

Installation dimensions



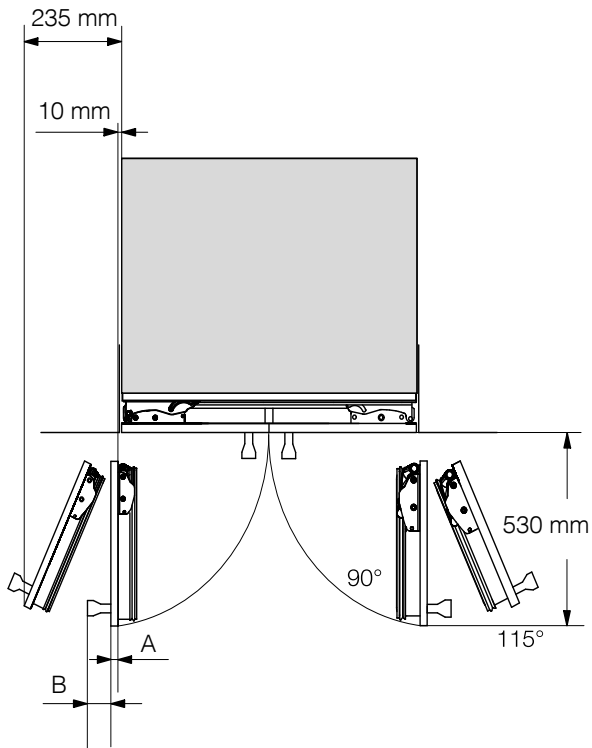
	A	B	C
KF 2981 Vi	2134 – 2164 mm	915 mm	610 mm + furniture front (19–38 mm)

Installation



Side view

Dimensions with appliance doors open (opening angle 90°/115°)

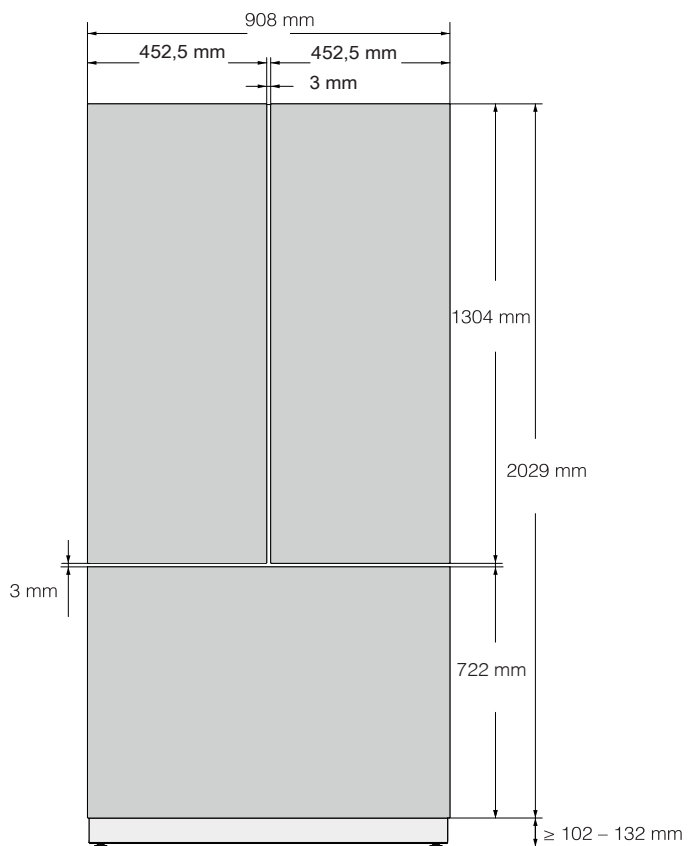


A	B*
Furniture front (19–38 mm)	Door handle

* The dimensions of the furniture fronts and handles will vary according to the individual design of the kitchen.

Installation

Dimensions of furniture fronts




Installing the appliance

Before you start

It is essential to read these operating and installation instructions carefully before starting to install the appliance.

The refrigeration appliance should be installed by a suitably qualified and competent installer in accordance with these operating and installation instructions. Safe operation of the appliance is only assured if it has been installed and connected in accordance with these operating and installation instructions.

 Danger of damage and injury due to the appliance tipping over!

This refrigeration appliance is very heavy and can tip forwards when the door(s) is/are open.

Keep the appliance door(s) shut until the appliance has been built in and secured in its housing in accordance with these operating and installation instructions.

Due to the size and weight of the appliance, installation must be carried out by two people.

Tools required

- Cordless drill
- TX 20 screwdriver
- Hammer drill
- Drill bits in various sizes, depending on materials
- Hammer
- Open-end spanner
- Ratchet wrench, attachment: 8 mm socket
- Adhesive tape
- Utility knife
- Pipe wrench
- Spirit level
- Tape measure
- Pencil
- Try square

Other


- Step ladder
- Hand trolley

Installation

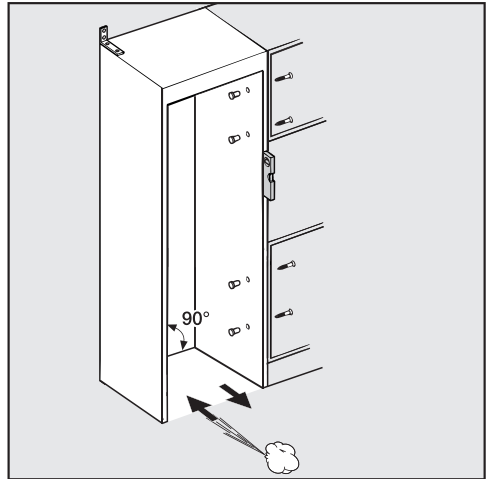
Weight of furniture fronts

Before fitting the furniture fronts, make sure that they do not exceed the maximum permitted weight:

Appliance	Max. weight of upper furniture fronts	Max. weight of lower furniture front
KF 2981 Vi	Left 68 kg; right 70 kg	10 kg

 Risk of damage due to excessive weight of furniture fronts. Assembled furniture fronts that exceed the permissible weight can cause damage to the hinges, which can affect the operation of the appliance. Make sure that the permissible weight of the furniture fronts is not exceeded.

Aligning the installation niche



The installation niche must be carefully aligned using a spirit level before installing the appliance. The niche corners must be at 90° angles to each other, otherwise the furniture panels will not sit straight on all four corners of the installation niche.

Checking the installation niche

- Check the installation dimensions (see "Installation - Building-in dimensions").
- Check the position of the electrical connection. The length of the mains connection cable is 3 m.

The electrical socket must not be concealed behind the appliance and must be easily accessible in an emergency.

- Check the position of the mains water connection. The available length of the stainless steel hose is approx. 2 m.

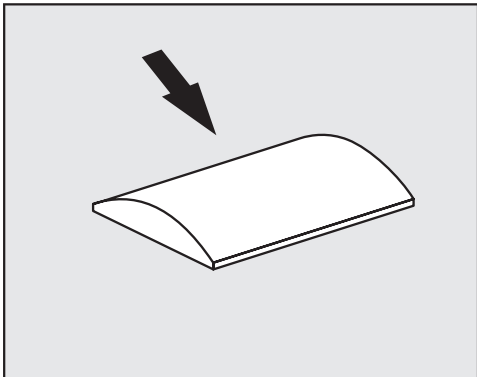
The tap must not be concealed behind the appliance and must be easily accessible in an emergency.

- Check the surroundings for possible collisions (see "Installation - Dimensions with appliance door open").
- Install the appliance in a stable, solid installation niche, positioned on an even and level floor.
- Also check the installation niche for the following criteria:
 - The side panels of the installation niche must be even.
 - The surrounding walls of the niche must be at least 16 mm thick.
 - The surrounding walls must be securely fixed to the floor or wall.
 - Shortened side walls must be at least 100 mm thick.

Installation

Before installation

- Before installation, remove any accessories from the back of the appliance.



⚠ Risk of damage due to insufficient ventilation.

If the refrigeration appliance is not sufficiently ventilated, this may cause mould to form and, in the long term, lead to damage to the outside of the refrigeration appliance and in the installation niche.

Do not remove the spacers from the outside of the appliance under any circumstances.

Do not compress the spacers under any circumstances.

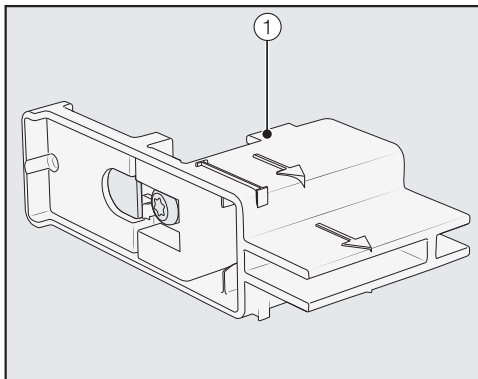
The spacers guarantee the necessary distance between the refrigeration appliance and the installation niche.

- Check the refrigeration appliance for transport damage.

Do not install a damaged refrigeration appliance.

- Check that all parts at the back of the appliance are unhindered.

- To protect the floor when installing the appliance, secure an off-cut of flooring (e.g. linoleum) or similar material to the floor in front of the installation area.

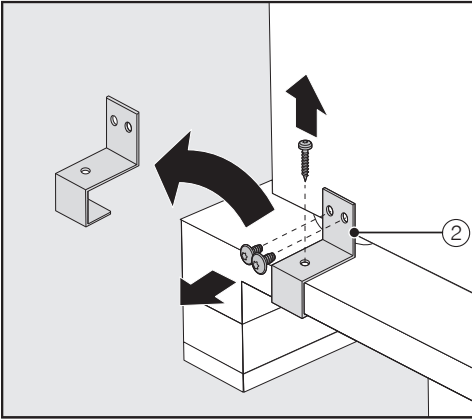


- Do **not** remove the installation aids ① from the appliance door. These will be required later for aligning the appliance in the building-in niche.

⚠ Danger of damage and injury due to the appliance tipping over!

As soon as you unscrew the brackets that fix the refrigeration appliance to the pallet, the appliance is no longer secured.

Due to its weight and size, the refrigeration appliance **must be installed by two people**.



- Unscrew the fixing brackets ②.
- With the help of several people as required, carefully lift the appliance from the pallet, starting with the back of the appliance.

⚠ Risk of damaging the floor due to the load.

Moving the refrigeration appliance may damage your floor.

Move the appliance carefully on floors that are sensitive to scratching.

As soon as you have set the appliance upright, you can move it using the rollers on the bottom.

Preparing the installation niche

⚠ Danger of damage and injury due to the appliance tipping over!

This refrigeration appliance is very heavy and can tip forwards when the door is open.

The housing unit must be secured to the wall behind it and/or above it with several screws. Only this will prevent the appliance from tipping over after being installed.

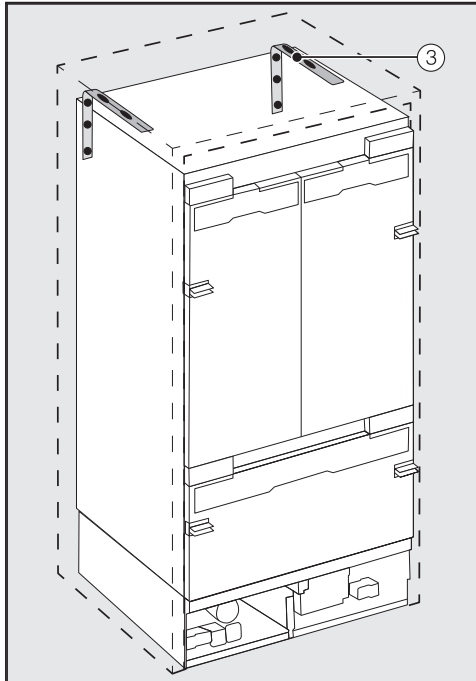
In addition, use the anti-tip brackets provided to secure the housing unit.

The parts required for installation of the appliance are supplied with the appliance. The plastic bags supplied are marked with letters for easy identification.

- Please take note of these letters during the individual assembly steps and use the applicable plastic bag with the required installation material.


Installation

The anti-tip brackets prevent the refrigeration appliance from tipping. The anti-tip brackets are also used to fix the housing unit securely to the surrounding walls.



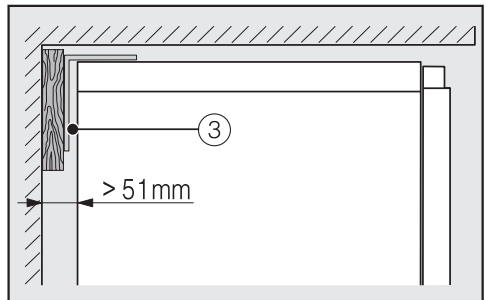
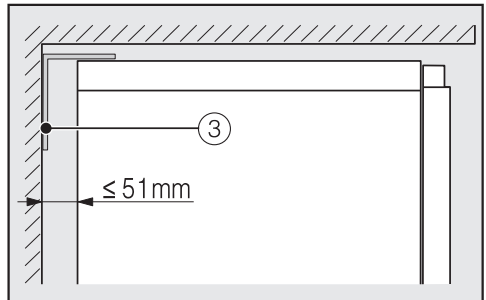
- Use 2 anti-tip brackets ③ for each individual appliance or 4 anti-tip brackets for each (side-by-side) combination of 2 appliances.
- Position the anti-tip brackets ③ on the left and right side of the installation niche.

Depending on the subsequent adjustment of the feet, the anti-tip brackets are positioned 2134–2164 mm from the floor of the niche.

 Risk of injury and damage due to the refrigeration appliance tipping over.

If the anti-tip brackets are fixed too high, they cannot be used to secure the refrigeration appliance.

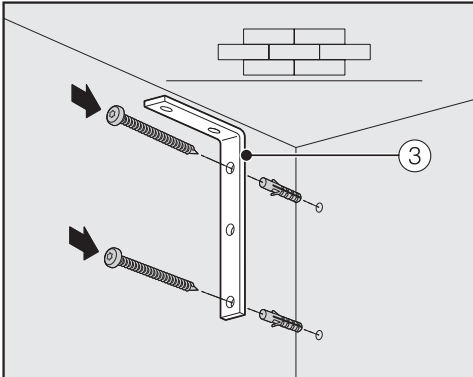
The height between the anti-tip brackets and the top of the refrigeration appliance must not exceed 8 mm.



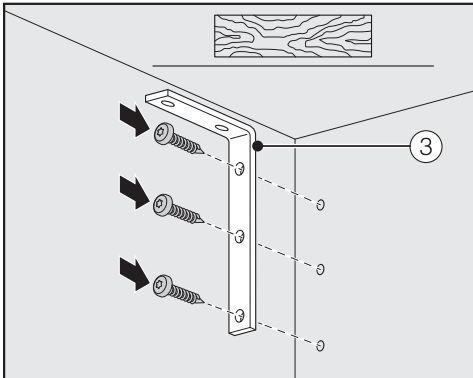
- Make sure that the gap between the refrigeration appliance's rear wall and the installation niche does not exceed 51 mm.
- Place a wooden wedge behind the anti-tip brackets ③ if necessary.
- While holding the anti-tip brackets in place, mark the drill holes on the rear wall of the installation niche.



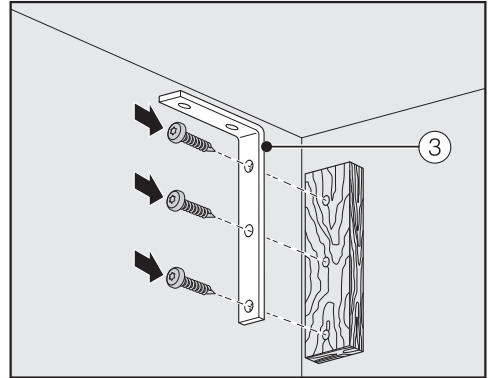
The accessory pack supplied contains fastening screws for various applications/materials:



Securing to a concrete wall



Securing to a wooden wall



Securing with a wooden wedge

- Secure the housing unit to the wall behind it and/or above it as required using the anti-tip brackets ③.
- Connect the refrigeration appliance to the mains water supply (see "Installation - Water connection").

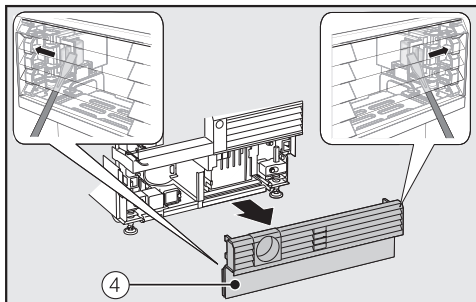
Pushing the appliance into the niche

Push the appliance into the niche, taking care not to damage the electrical and mains water connections.

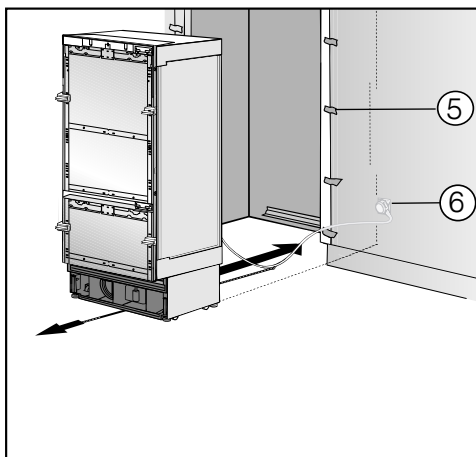
If you are installing several refrigeration appliances side by side, secure the appliances to one another now (see the instructions for the side-by-side installation kit).

- To ensure that the refrigeration appliance can then be aligned correctly, the plinth ventilation grille must be removed from the appliance plinth:

Installation



- Carefully guide a flat-head screwdriver through the plinth ventilation grille ④ on both sides and use it to push the internal plastic latches outwards to release the plinth ventilation grille.
- Place the plinth ventilation grille to one side.



- Affix edge protection ⑤ to the adjacent furniture fronts.
- Insert the plug connector at the back of the appliance (see "Installation - Electrical connection").
- Insert the plug ⑥ into the electrical socket.

The electrical socket should not be concealed behind the appliance and must be easily accessible in an emergency.

⚠ Do not locate multiple portable socket-outlets or portable power supplies at the rear of the appliance.

⚠ Risk of damage due to electrical overload.

If the refrigeration appliance is electrically overloaded, this can cause a short circuit and thus damage your appliance.

When you install appliances side by side, each refrigeration appliance must have its own separate electrical socket.

Useful tip: Secure the mains connection cable to prevent it becoming caught: tie a piece of string to the middle of the cable and as the refrigeration appliance is being pushed into the niche, pull the cable forward underneath the appliance.

- Carefully push the refrigeration appliance into the niche.

⚠ Ensure the cable is not trapped or damaged.

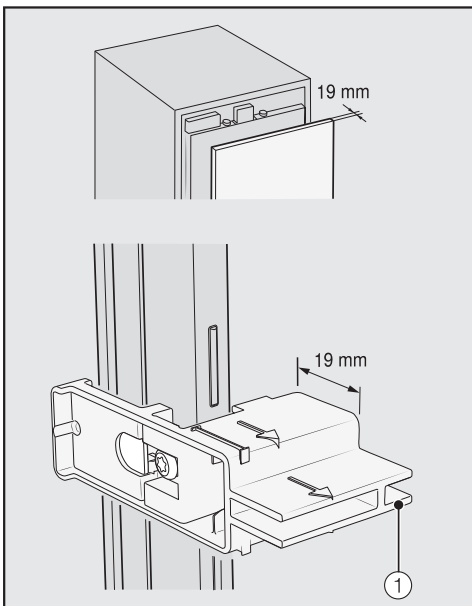
- If the refrigeration appliance cannot be pushed into the niche (because the floor is uneven, for example), unscrew the rear feet slightly (see "Installation - Aligning the appliance") and slide the appliance into the niche.
- Remove the edge protection ⑤ from the adjacent furniture fronts.

Aligning the appliance

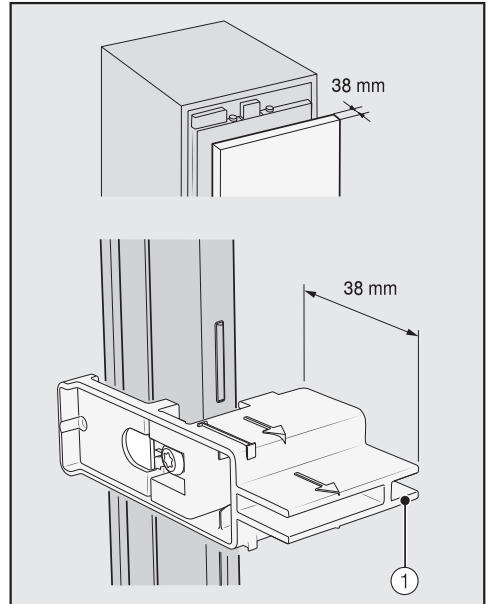
The installation aids ① on the appliance door provide assistance with the alignment of the refrigeration appliance in the installation niche.

The installation aids are suitable for a furniture front thickness of 19 mm or 38 mm.

- Align the appliance with adjacent furniture fronts as described below.



Furniture front thickness of 19 mm



Furniture front thickness of 38 mm

The front and rear feet are height-adjustable and can all be adjusted from the front of the appliance.

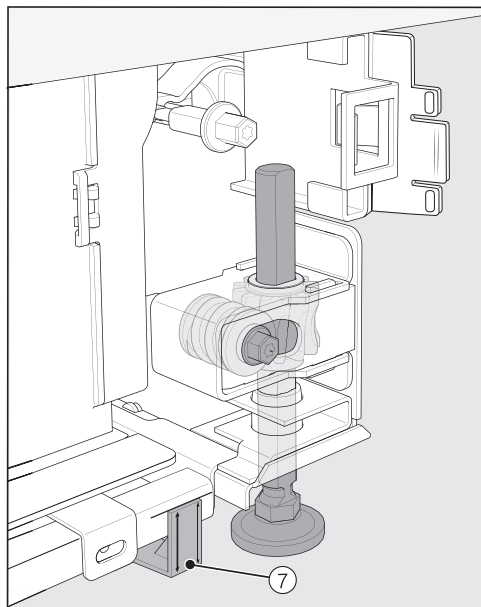
⚠ Risk of damage due to incorrect adjustment of the feet.

The foot adjustment can be damaged by using an electric screwdriver.

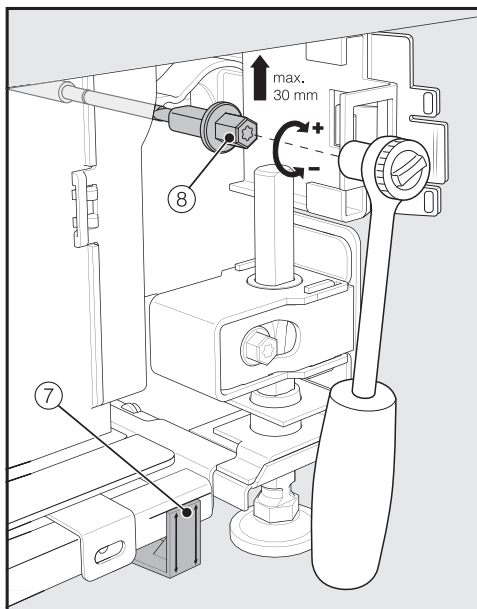
Always adjust the front and rear feet by hand.

Installation

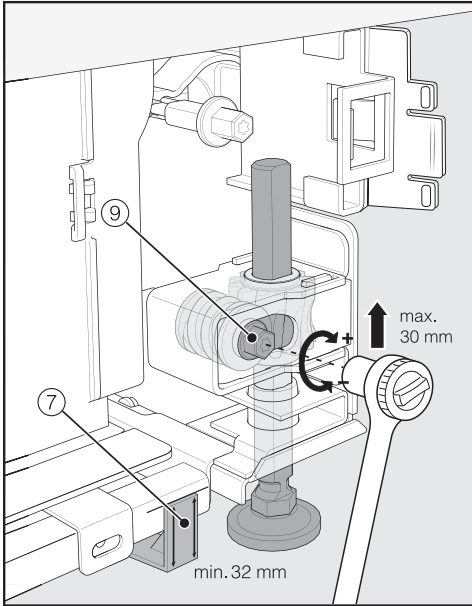
A



- Position the spacers ⑦ supplied on both sides at the markings next to the adjustable feet in front of the appliance.

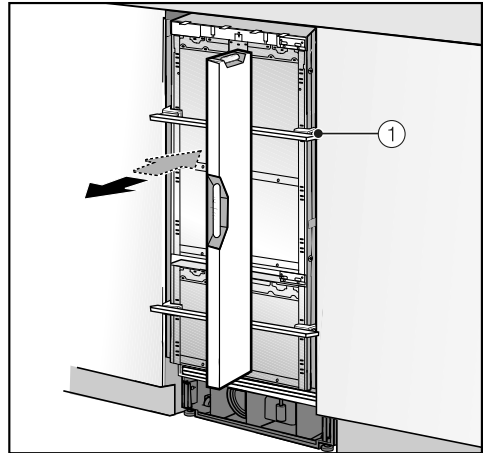


- Adjust the rear feet with a ratchet (attachment: 8 mm socket) or a TX 20 screwdriver ⑧.



- Adjust the front feet with a ratchet (attachment: 8 mm socket) or a TX 20 screwdriver ⑨.

Useful tip: Proceed carefully when adjusting the feet, alternating between the left and right feet.



- Place a spirit level across the installation aids ① on the appliance door to check the appliance's alignment.
- Unscrew the feet ⑧ and ⑨ on both sides at least until the marking on the base has reached the minimum specified distance of 32 mm on the spacer ⑦. The standard dimension of 32 mm relates to a niche height of 2134 mm.

It is important to adjust the feet to a height of at least 32 mm in order to ensure the ventilation of the refrigeration appliance via the base.

⚠ Risk of damage if the feet are adjusted too much.

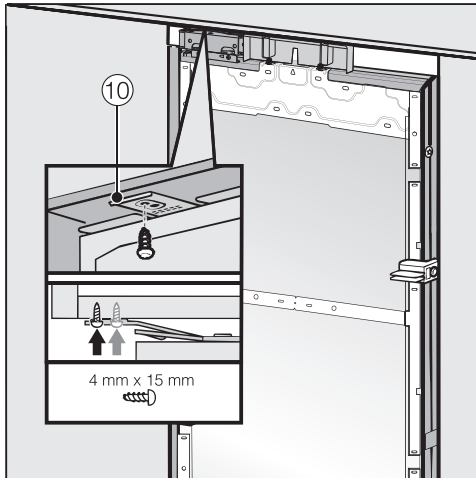
The rear adjustable feet can be damaged.

Unscrew the feet **only until** the marking on the plinth is aligned to a maximum of 62 mm (max. niche height of 2164 mm).

- Check the alignment of the appliance again using the installation aids ① and the spirit level.

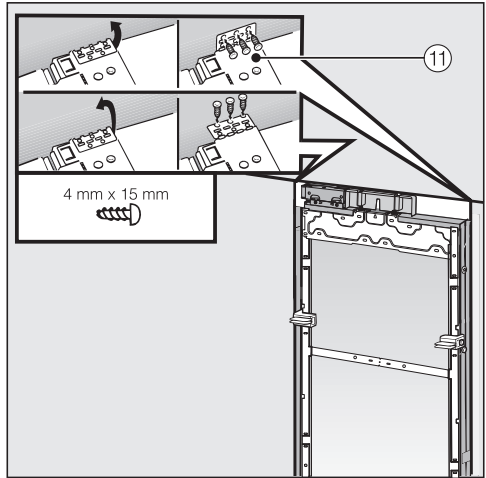
Installation

Securing the appliance in the niche



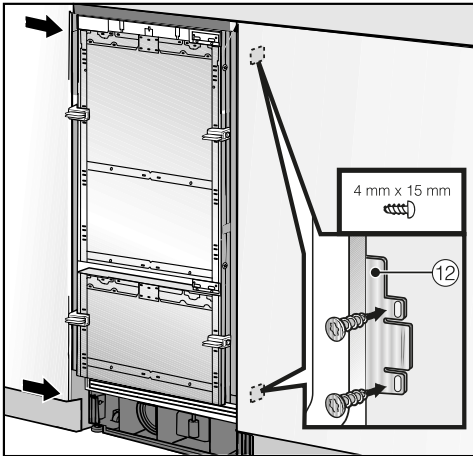
- Screw the lugs of the fixing plate ⑩ into the cabinets/units above the appliance.

If it is not possible to secure the appliance at the top, it can be attached to the niche with the side mounting brackets:



- Fold out the side mounting brackets ⑪.
- Secure the side mounting brackets ⑪ with the screws provided.

- Open both appliance doors.

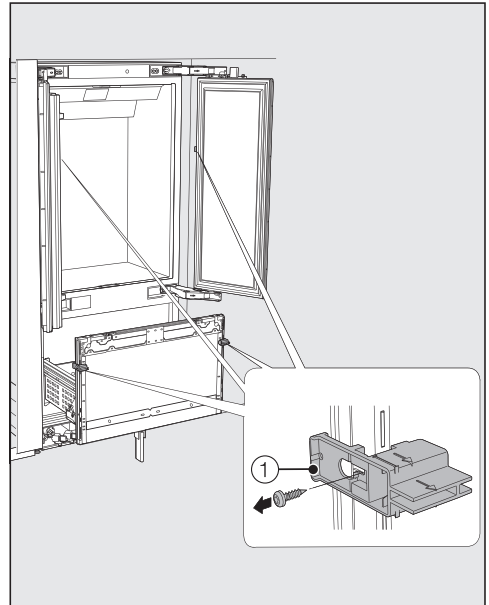


- Screw the lugs of the mounting plate ⑫ at the top and bottom to the cabinets/units adjacent to the appliance.

In a side-by-side combination, only the external panels of the two refrigeration appliances can be secured to the adjacent cabinets/units.

Preparing to install the furniture fronts

- Open the appliance doors as far as they will go.

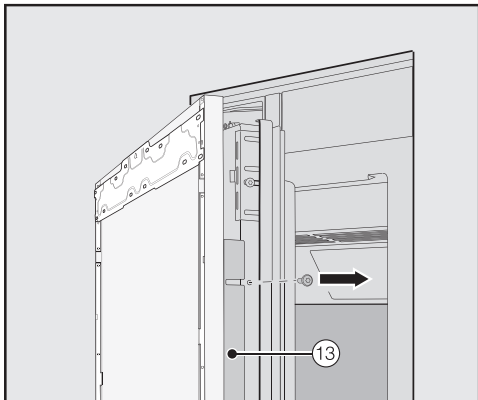


- Unscrew the installation aids ① from the appliance doors.

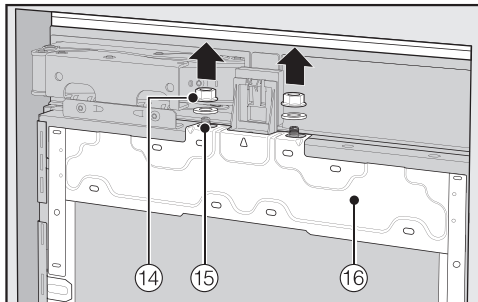
Useful tip: For optimum alignment of the furniture fronts, the upper furniture fronts must be fitted first, followed by the lower furniture front.

The following section describes the installation and alignment process for the upper furniture fronts. Install the lower furniture front accordingly.

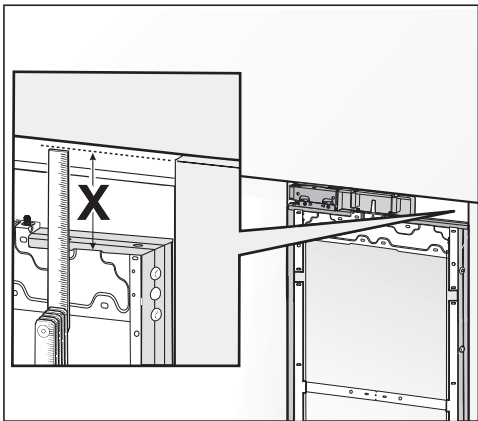
Installation



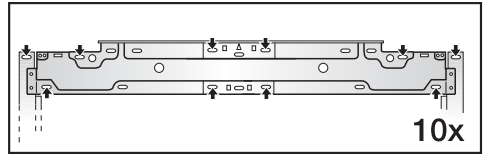
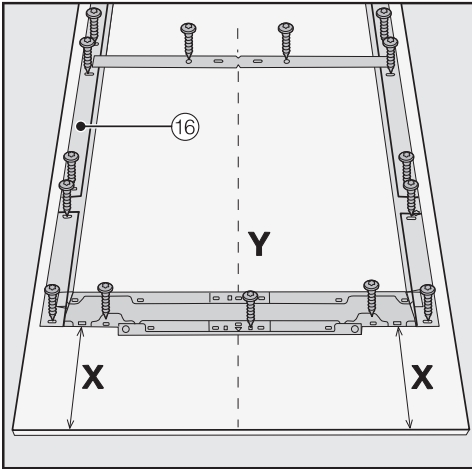
- On both sides, unscrew the angle bars 13 from the upper appliance doors and keep the angle bars and screws in a safe place – they will be required again later.
- Close the appliance doors.



- Remove the nuts and washers 14 from the threaded bolts 15 and store them in a safe place – they will be required later.
- Take the mounting frame 16 off the appliance doors by removing it upwards.



- Measure the gap X between the mounting frame and the upper edge of the adjacent furniture front.



- Secure the mounting frame ⑯ to the top of the furniture front, using at least 10 screws depending on the size.

The mounting frames have several different types of holes to allow for a variety of furniture fronts.

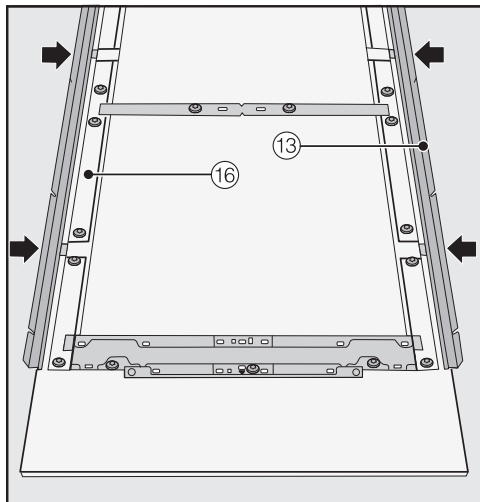
When securing the frame, always screw into the strongest part of the furniture front. To do this, select screws which are slightly shorter than the thickness of the furniture front.

- Place the furniture front to be mounted on a firm surface with the inside facing upwards (to avoid scratches, place a blanket underneath).
- Mark the distance **X** -3 mm on the inner side of the furniture front.
- Also locate and mark the centre point **Y** on the furniture front.
- Position each mounting frame ⑯ according to the markings on the furniture front.
- Pre-drill the holes.



- Screw each mounting frame ⑯ to the furniture front:
Use at least one screw for each retaining point on the mounting frame ⑯.

Installation



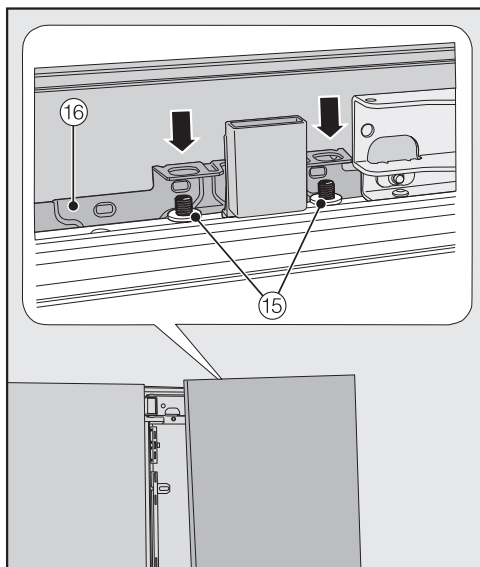
- Open both appliance doors and hang each furniture front with its mounting frame (16) from the top onto the threaded bolts (15).



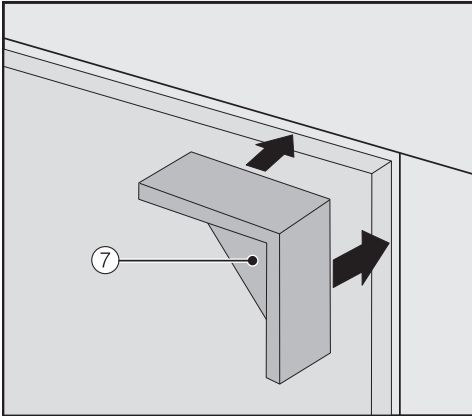
- Now insert the angle bars (13) on both sides as far as they will go into the provided spaces in the mounting frame (16).



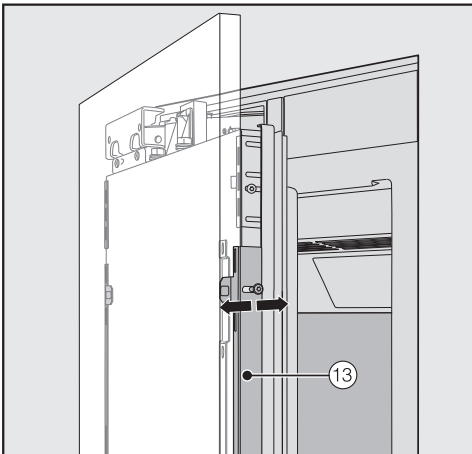
Securing and aligning the furniture fronts



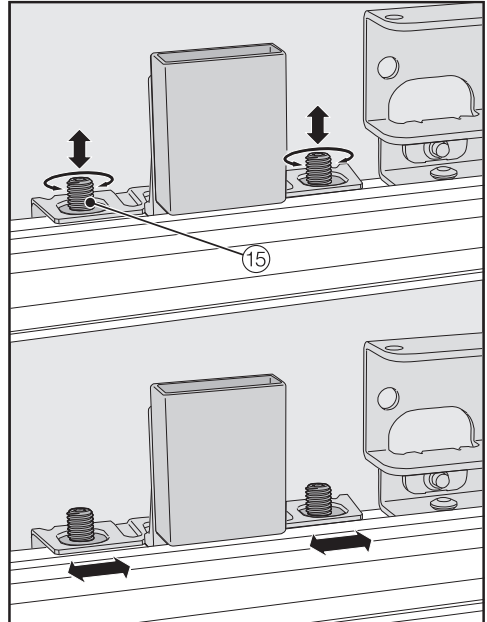
- Press the angle bars (13) into the white plastic frame on both sides from the outside and screw them on loosely at first. Spare screws are provided in the plastic bag marked with the letter E.



- Place the spacers ⑦ on top of the corners of the furniture front on both sides.
- Close both appliance doors and check the distance between the doors and adjacent furniture fronts.
- Also check that the two upper appliance doors are aligned correctly with one another.

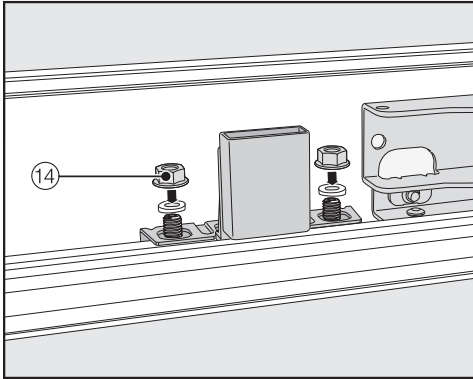


- Align the depth of the furniture fronts via the gaps in the angle bars ⑬.

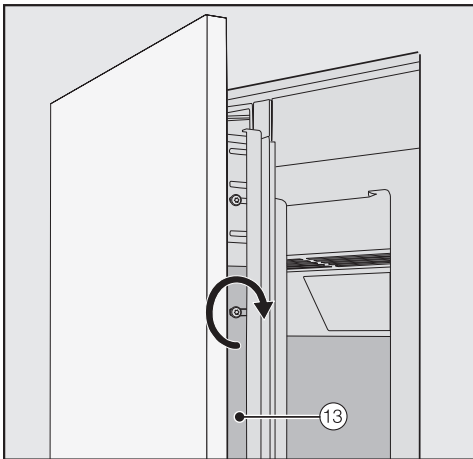


- Align the height and sides of the furniture fronts with the threaded bolts ⑮ using the TX 20 screwdriver.
- Close the appliance doors and check the distance between the doors and adjacent furniture fronts again.
- Also check again that the two upper appliance doors are aligned correctly to one another.

Installation

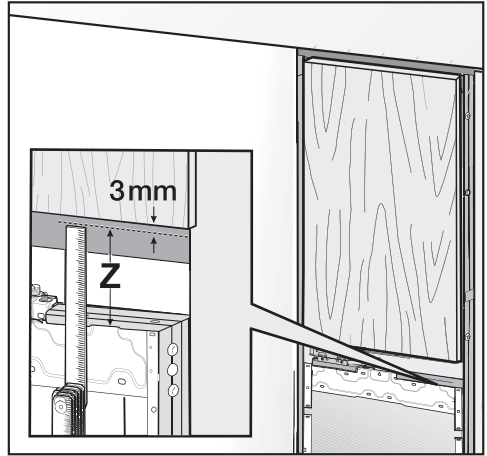


- Place the washers and nuts (14) back in position and tighten the nuts (14). The furniture fronts are now secured.



- Tighten the screws in the angle bars (13).
- Open the appliance doors.
- Remove the spacers (7) from the furniture fronts.

The position of the lower furniture front depends on the position of the upper furniture fronts.



- Measure the gap **Z** between the mounting frame for the lower appliance door and the lower edge of the furniture front above it.
- Maintain a gap of 3 mm to the upper furniture fronts.

To install the furniture front on the lower appliance door, repeat the steps starting from “Preparing to install the furniture fronts”.

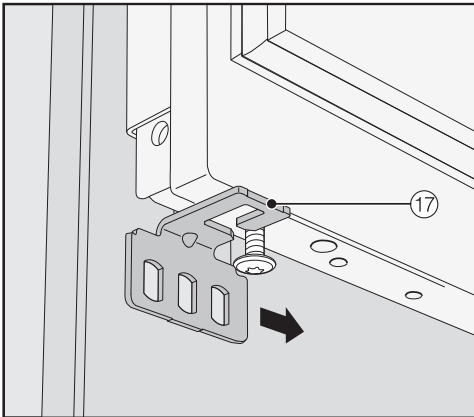
Fitting the mounting brackets



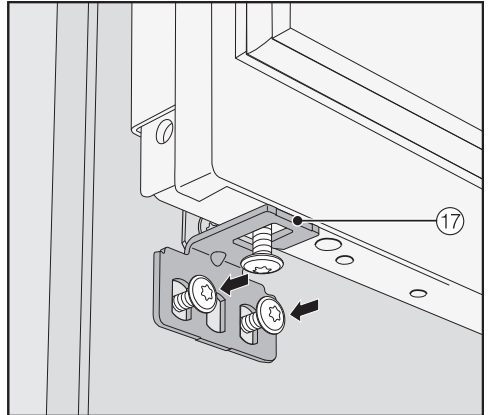
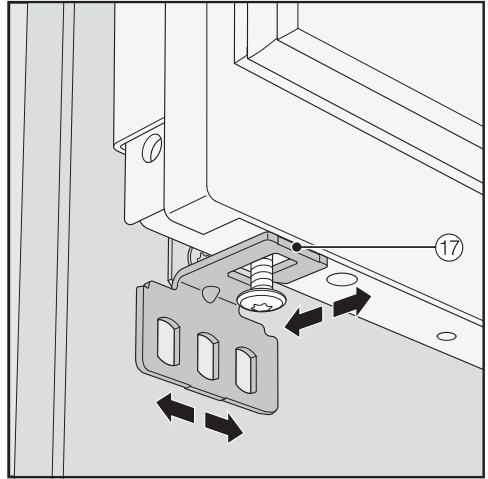
The mounting brackets are used to further secure the furniture fronts to the bottom of the appliance door.

Do not fit the mounting brackets until the appliance (or side-by-side combination, if applicable) has been installed and the furniture fronts have been aligned.

- Open the appliance doors as far as they will go.

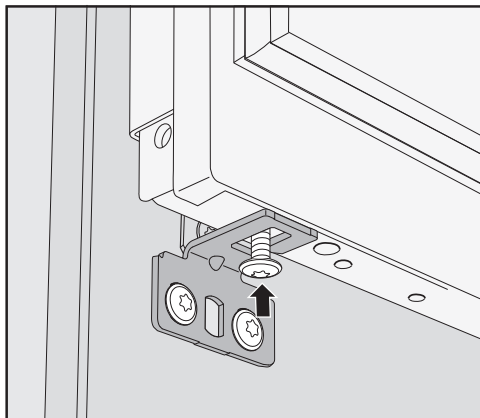


- Slide each fixing bracket 17 from the outside onto the screw at the bottom of the appliance door.

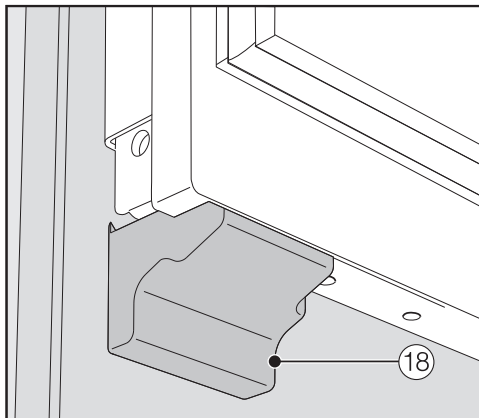


- Screw the mounting bracket 17 securely to the furniture front.

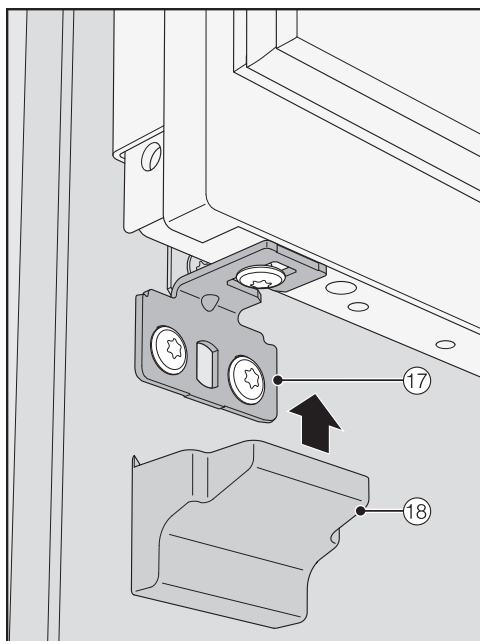
Installation



- Tighten the screw at the bottom of the appliance door.

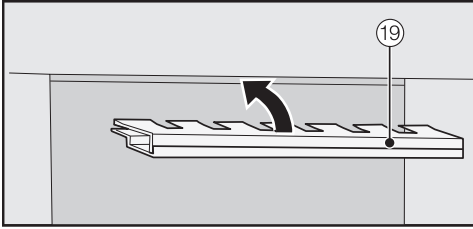


- Snap the cover ⑱ onto the mounting bracket so that it clicks into place.

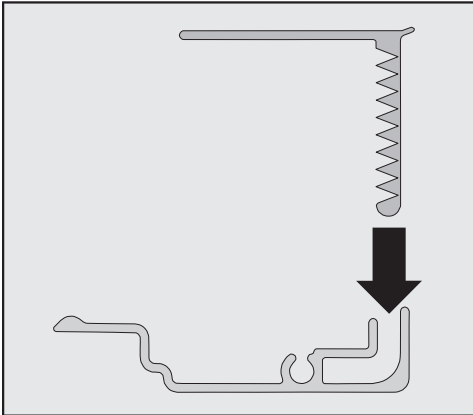


- Place the cover ⑱ on the mounting bracket ⑰.

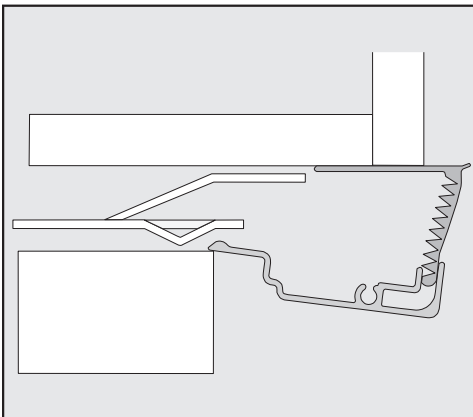
Securing the covers



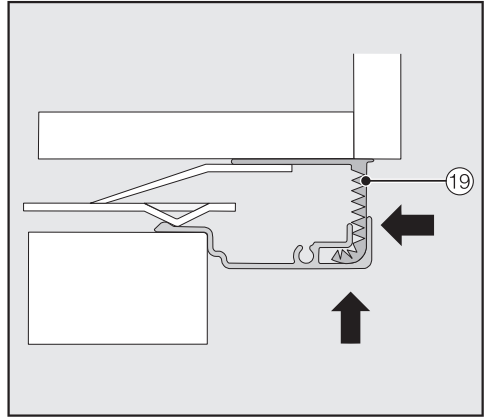
- Before the cover ⑱ can be installed in the gap above the refrigeration appliance, it must be assembled as follows:



- Insert the two parts of the cover into one another.

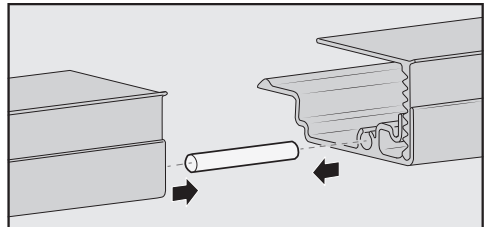


Cover viewed from the side



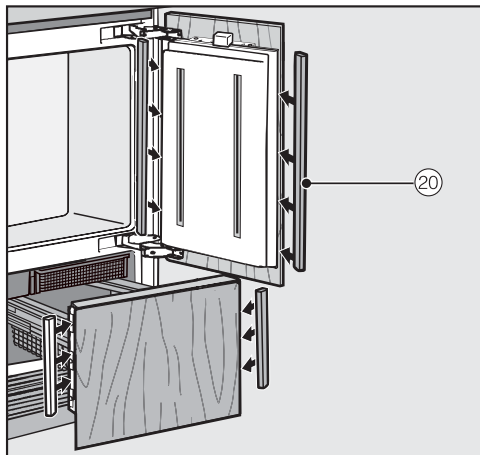
- Place the assembled cover ⑱ into the gap above the appliance so it clicks into place. While doing so, slide both parts of the cover together as required.

Mounting the cover in a side-by-side combination

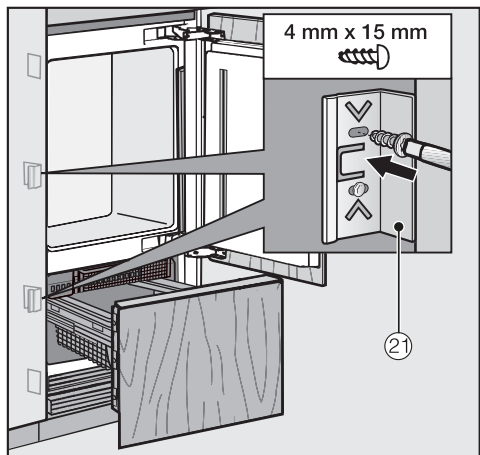


- Insert the joining peg (from the side-by-side installation kit) halfway into the guide in the cover for the left-hand appliance.
- Place the second cover onto the pin and press the two covers together.
- Place the two covers together in the niche above the appliances until they click into place.

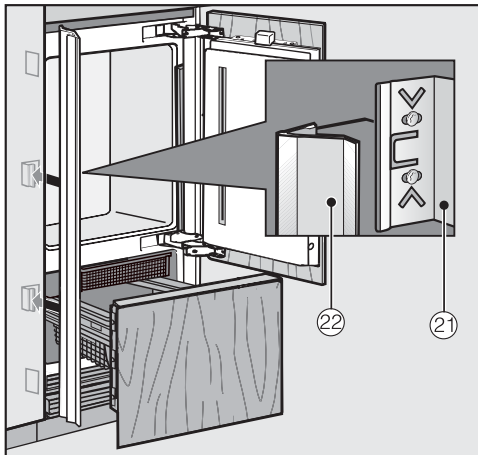
Installation



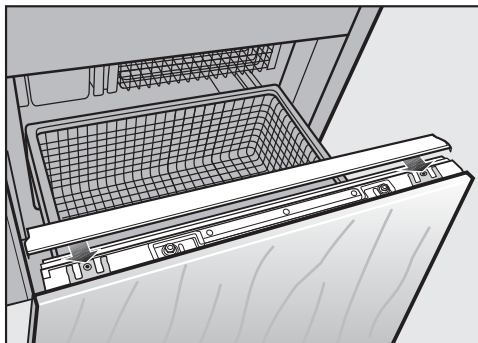
- On both the upper and lower appliance doors, install the plastic covers ②0 to the sides of the appliance door by clicking them into the gap between the appliance door and the furniture front, starting at the bottom and working up to the top.



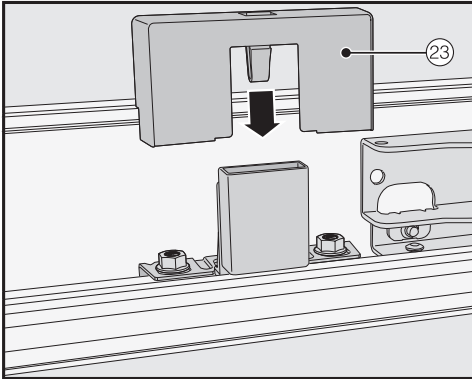
- Secure the gap covers on both sides of the appliance using at least 3 clips ②1.



- Now attach the covers ②2 onto the clips ②1 on each side. With side-by-side combinations, the covers are only required on the outer side.

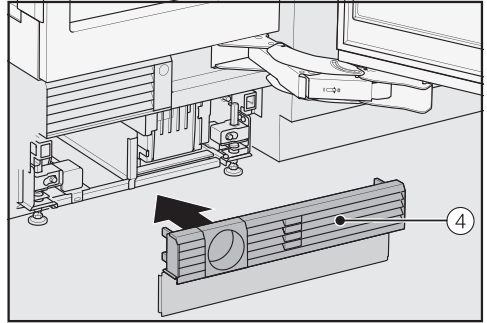


- Slide the cover onto the lower appliance door from the inside.

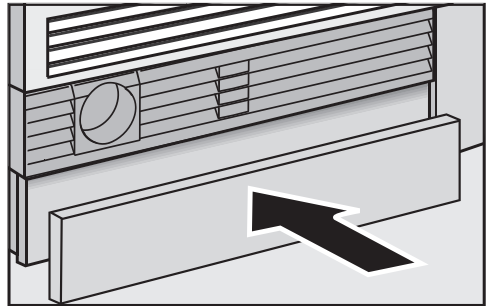


- Fit the cover ②③ onto the light contact switch.

Securing the plinth ventilation grille and plinth cover



- Click the plinth ventilation grille ④ onto the bottom of the appliance plinth.



- If necessary, cut the plinth panel to the required length and height (cut along the lower edge of the plinth where it touches the floor).
- Secure the plinth cover to the bottom of the plinth ventilation grille.

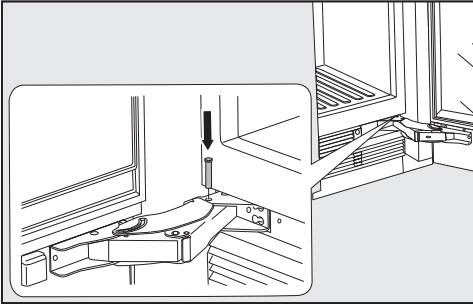
Installation

Limiting the opening angle of the appliance doors



The door hinges are set at the factory to enable the upper appliance doors to be opened wide.

If the appliance doors hit for example an adjacent wall when they are opened, you should limit the door opening angle to 90°.




- Open the appliance door.
- Insert the pins into the lower hinges from above.

The opening angle of the appliance doors is now limited to 90°.


Water connection

Information about the mains water connection


 Risk of injury and damage due to incorrect connection.

Failing to connect the appliance correctly can result in personal injury and/or material damage.

The appliance may only be connected to the water supply by a suitably qualified technician.

 Disconnect the refrigeration appliance from the power supply before connecting it to the water supply.

Turn off the tap before connecting the refrigeration appliance to the mains water.


 Danger to health and property due to contaminated water.

The quality of the water used must conform to the requirements for drinking water in the country where the refrigeration appliance is being used.

Connect the refrigeration appliance to the drinking water supply.

Connection to the water supply must comply with the applicable regulations in the country where the appliance is being installed. All units and systems used to supply water to the refrigeration appliance must also comply with the applicable regulations in the respective country.

The water connection pressure needs to be between 200 kPa and 800 kPa (2 bar and 8 bar).

 Risk of damage due to excessive water connection pressure.

Excessive water connection pressure in the water line can cause damage to the refrigeration appliance.

You must install a pressure reducing valve if the water connection pressure in the water line exceeds 800 kPa (8 bar).

With the pressure reducing valve installed, the maximum water connection pressure at the hose set of the refrigeration appliance cannot exceed 1000 kPa (10 bar).

Contact a plumbing specialist if you are unsure of your water connection pressure.

Use fresh water to ensure that the quality of the ice cubes remains high. Connect the stainless steel hose to the fresh water supply and avoid connection to a water supply in which the water might stagnate.

Only use the stainless steel hose supplied. Old or used hoses must not be connected to the appliance. The stainless steel hose must not be shortened, extended or replaced by another hose.

The stainless steel hose must only be replaced by an original Miele spare part. A stainless steel hose which is suitable for use with drinking water is available to order from Miele (see back cover for contact details).

A tap must be provided between the stainless steel hose and the mains water supply to ensure that the water supply can be shut off if necessary.

Installation

The tap should be easily accessible after the appliance has been built in.

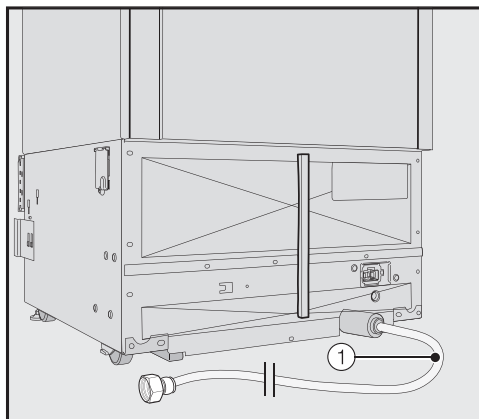
The stainless steel hose is 2 m long and is already installed on the refrigeration appliance when it is delivered.

Connecting the appliance to the mains water supply

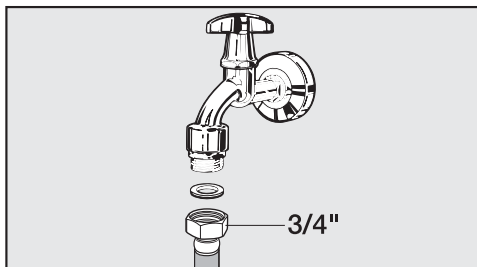
By this time, the installation niche should already be prepared so that the appliance only needs to be pushed into it.

When doing so, make sure that the stainless steel hose is not kinked or damaged.

- Position the appliance slightly in front of the niche.



The stainless steel hose ① of the refrigeration appliance is ready for connection.



- Connect the stainless steel hose ① to the tap.
- Ensure that it is screwed into position correctly and watertight.
- Turn on the tap slowly and check the whole water system for leaks.
- The appliance can now be installed in the niche (see “Installation - Installing the appliance”).

Electrical connection

The refrigeration appliance must only be connected to an earthed socket using the connection cable supplied.

The socket should be easily accessible after the refrigeration appliance has been installed. If the socket is not easily accessible, ensure that a suitable means of disconnection is provided on the installation side for each pole.

 Risk of fire from overheating.

Connecting the appliance to a multi-socket plug adapter or to an extension lead can overload the cable.

For safety reasons, do not use an extension cable or multi-socket adapter.

All electrical work must be carried out by a suitably qualified and competent person in strict accordance with national and local safety regulations.

For safety reasons, we recommend using a suitable residual current device (RCD) in the relevant electrical installation for connecting the refrigeration appliance.

If the mains connection cable is damaged, it must only be replaced with a specific mains connection cable of the same type (available from Miele).

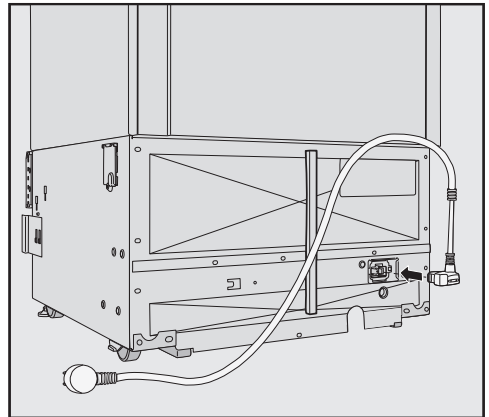
The data plate indicates the nominal power consumption and the connection data. Compare this information with the data of the on-site electrical connection. If in any doubt, consult a qualified electrician.

Temporary or permanent operation with a self-sufficient or non-mains synchronous energy supply system (e.g. isolated networks, back-up systems) is possible. A requirement for the

operation is that the energy supply system complies with all current local and national requirements that apply to stand-alone, solar and/or battery systems.

The protective measures provided in the domestic installation and in this Miele product must also be assured in their function and operation in isolated operation or in non-mains synchronous operation, or replaced with equivalent measures in the installation.

Connecting the appliance



- Insert the plug connector into the back of the appliance.

Make sure that the plug connector has locked into position correctly.

- Insert the plug of the appliance into the socket and switch it on.

The appliance is now connected to the electricity supply.

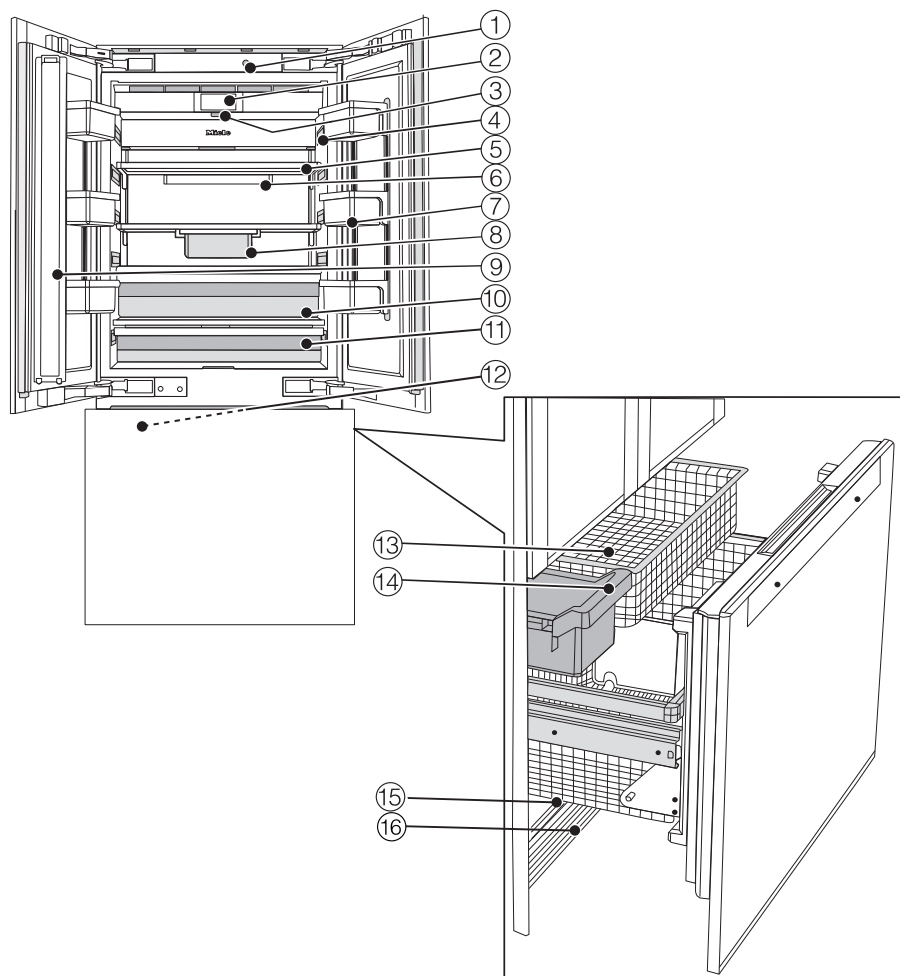
Saving energy

	Normal energy consumption	Increased energy consumption
Installation/ Maintenance	In a ventilated room.	In an enclosed, unventilated room.
	Protected from direct sunlight.	In direct sunlight.
	Not situated near a heat source (radiator, oven).	Situated near a heat source (radiator, oven).
	Where the ideal ambient room temperature is approx. 20 °C.	Where there is a high room temperature.
	Ventilation gaps kept uncovered and free of dust.	Where the ventilation gaps are covered or dusty.
Temperature settings	Refrigerator 4 to 5 °C	The lower the temperature in the appliance, the higher the energy consumption.
	Dry compartment in the MasterFresh zone approx. 2 °C.	
	Freezer section -18 °C	

Saving energy

	Normal energy consumption	Increased energy consumption
Use	The drawers and shelves are arranged as they were when the appliance was delivered.	
	Only open the door when necessary and for as short a time as possible. Store food in an organised way.	Frequent opening of the door for long periods will cause a loss of coldness. The appliance will try to cool down, and the compressor will run for longer periods.
	Take a cooler bag when shopping and load food in the appliance as quickly as possible on your return home. Replace any food removed as quickly as possible, before it warms up too much. Allow hot food and drinks to cool down before placing them in the appliance.	Hot food or food at room temperature raises the temperature inside the appliance. The appliance will try to cool down and the compressor will run for longer periods.
	Store food well packaged or covered.	The evaporation or condensation of liquids in the refrigerator will cause a loss of coldness.
	Place frozen food in the refrigerator to defrost.	
	Do not overfill the appliance to allow air to circulate.	Poor air circulation will cause a loss of coldness.

Guide to the appliance



- ① Automatic door opening (Push2open/Pull2open)
- ② Display
- ③ On/Off switch
- ④ Interior lighting
- ⑤ Shelves
- ⑥ Holder for the Active AirClean filters
- ⑦ Door shelves
- ⑧ Hanging drawer for storing small items
- ⑨ Door pillar with integrated heating (condensation protection)

- ⑩ Humidity-controlled compartment with moisture adjustment for fruit and vegetables
- ⑪ Low temperature dry compartment for food which goes off quickly with temperature regulator behind it
- ⑫ Ice cube maker
- ⑬ Freezer baskets
- ⑭ Ice cube container
- ⑮ Water filter

Guide to the appliance




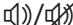





Main screen











- ① SuperCool display
(only visible when the SuperCool function is switched on)
- ② Temperature display (target temperature) for the fridge zone
- ③ 🌡️ sensor
for setting the temperature
- ④ Display for Miele@home connection status
(only visible when the Miele@home function has been set up)
- ⑤ SuperFreeze display
(only visible when the SuperFreeze function is switched on)
- ⑥ Temperature display (target temperature) for the freezer zone
- ⑦ Settings mode sensor ⚙️
For adjusting various functions in Settings mode

Settings mode


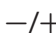


In Settings mode, you can select the following appliance functions and alter their settings:

Symbol		Function
	Language	Set
	Display brightness	Adjust (darker to brighter)
	Colour scheme	Set (black or white)
	Buzzer tones	Adjust the volume or switch off the Buzzer tones completely (e.g. for the door alarm)
	Keypad tone	Adjust the volume or switch off the Keypad tone completely
°F / °C	Temperature unit	Set (° Fahrenheit or ° Celsius)
	Keypad lock	Switch on or off (see “Selecting further settings”)
	Eco mode	Switch on or off (see “Selecting further settings”)
	Self test	The system restarts and is checked for faults or malfunctions (see “Selecting further settings”)
∆∆	Condensation protection	Switch on or off (see “Selecting further settings”)
	Door assistant	(Push2open or Pull2open) Switch on or off (see “Selecting further settings”)

Guide to the appliance

	Miele@home	Set up, deactivate, or query Wi-Fi connection status (see “Selecting further settings”)
	Demo mode	Switch off * (only visible when Demo mode is switched on, see “Selecting further settings”)
	Factory default settings	Reset to factory default settings (see “Selecting further settings”)
	Holiday	Switch on or off (see “Selecting further settings”)
	Dispenser unit	Switch the ice cube maker on and off (see “Making ice cubes”)
	Sabbath mode	Switch on or off (see “Selecting further settings”)
	Water filter display	Switch on or off or reset (see “Selecting further settings”)
	Display Active AirClean filter	Switch on or off or reset (see “Selecting further settings”)

Symbols in Settings mode

	Scroll in Settings mode or select a setting
	Change a setting (e.g. display brightness)
	Confirm a setting
	Exit the menu level

Accessories supplied

Appliance cable and plug

Active AirClean filters

The Active AirClean filters neutralise unpleasant odours in the refrigerator section and stop odours from transferring to the food.

Insert the Active AirClean filters supplied as described in “Cleaning and care - Replacing the Active AirClean filters”.

We recommend replacing the Active AirClean filters every 6 months.

Water filter (IntensiveClear mesh filter)

The IntensiveClear mesh filter, which is already installed in the appliance, filters the mains water for making ice cubes.

The IntensiveClear mesh filter does not need to be replaced, just cleaned (see “Cleaning and care - Cleaning the water filter (IntensiveClear mesh filter)”).

Optional accessories

A range of useful Miele accessories and care products is available for your appliance.

Miele all purpose microfibre cloth

Light soiling and fingerprints on stainless steel fronts, control panels and furniture can be easily removed with this microfibre cloth.

Active AirClean filters

For a description see “Accessories supplied”.

Active AirClean filter holder

The holder for the Active AirClean filters can be fixed under any shelf in the refrigerator section.

Stainless steel front panel

Stainless steel front panels provide a high-quality exterior design for your refrigeration appliance.

Handles and plinth panels are also available in a stainless steel look.

Side-by-side installation kit

To install two or more refrigeration appliances next to one another, you will need the side-by-side installation kit (see “Installation - Side-by-side units”).

Accessories are available from Miele directly (see back cover for contact details).

Using for the first time

Before using for the first time


Allow the refrigeration appliance to stand for approx. 1 hour before connecting it to the power supply. This will prevent potential functional problems with the appliance.

Removing packaging material

- Remove all packaging material from the inside of the appliance.

Remove all packaging material, including adhesive tape, **before** switching on the appliance. The adhesive tape is difficult to remove from cold surfaces.

Closing the fridge zone doors

 Risk of damage if the appliance door is closed while the door pillar is open.

If the left fridge zone door is closed while the door pillar is open (see “Guide to the appliance”), the door pillar could get trapped and sustain damage. There is also a risk of damage to the furniture front of the right fridge zone door.

Fold back the door pillar before you close the left fridge zone door.


Cleaning

Please refer to the relevant instructions in “Cleaning and care”.

- Clean the inside of the appliance and the accessories.

Choosing the right Door assistant (Push2open/Pull2open)

The Door assistant helps you to open the appliance doors.

You can choose between the two Door assistants Push2open and Pull2open (see “Selecting further settings - Switching on the Door assistant ”).

The factory default Door assistant is Push2open.

- Select the Pull2open Door assistant if your appliance has furniture fronts with handles.
- Select the Push2open Door assistant if your appliance has furniture fronts without handles.

Inserting the Active AirClean filters

Your refrigeration appliance is equipped with 2 Active AirClean filters which neutralise unpleasant odours in the refrigerator section.

- Insert the Active AirClean filters supplied as described in “Cleaning and care - Replacing the Active AirClean filters”.

Miele@home

Your refrigeration appliance is equipped with an integrated Wi-Fi module.

Networking is deactivated at the factory.

To use this feature, you will need:

- a Wi-Fi network
- the Miele App
- a Miele user account. You can create a user account via the Miele App.

The Miele App will guide you as you connect your refrigeration appliance to your home Wi-Fi network.

Once the refrigeration appliance is connected to your Wi-Fi network, you can use the App to carry out the following activities, for example:

- Call up information on the operating status of your refrigeration appliance
- Change the settings on your refrigeration appliance

Connecting your refrigeration appliance unit to your Wi-Fi network will increase energy consumption, even when the appliance is switched off.

Make sure that the signal of your Wi-Fi network is sufficiently strong in the area where you want to set up your refrigeration appliance.

Using for the first time

Availability of the Wi-Fi connection

The Wi-Fi connection shares a frequency range with other appliances (including microwave ovens and remote control toys). This may result in sporadic or even complete connection failures. Therefore, a constant availability of featured functions cannot be guaranteed.

Miele@home availability

The ability to use the Miele App depends on the availability of the Miele@home service in your country.

The Miele@home service is not available in every country.

For information about availability, please visit www.miele.com.

Miele App

You can download the Miele App from the Apple App Store® or the Google Play Store™ free of charge (only functional in selected countries).

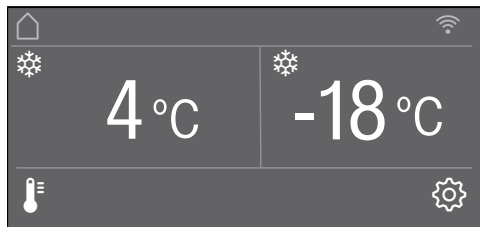


Operating the refrigeration appliance

The touch display can be scratched by pointed or sharp objects, e.g. pens.

Only touch the display with your fingers.


If your fingers are cold, the touch display may not react.




The sensors underneath the temperature display can be **selected** directly by touch; the symbols and text in or above the temperature display can only be **displayed**.


Using for the first time


Settings mode

In Settings mode , you can select different functions of the appliance and alter their settings to some extent (see "Selecting further settings").

- Touch the  sensor to open Settings mode.
- Use the < and > sensors to select the function for which you wish to adjust the settings.
- Confirm your selection with *OK*.
- Adjust the settings using either the < and > sensors or the + and - sensors.
- Confirm your selection with *OK*.

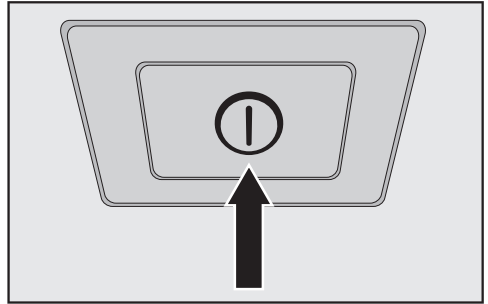
The setting with the **coloured** background is always the **selected** setting; it can be confirmed directly with *OK*.

- Touch the  sensor if you wish to switch to the previous menu level or terminate the process.

Every touch of the display is confirmed by a keypad tone. You can switch off this keypad tone in Settings mode .

Using for the first time

- Open the appliance door.





- Switch the refrigeration appliance on by pressing the On/Off switch.

The On/Off switch is located below the display.

The appliance will start to cool and the interior lighting will come on when the door is opened.


Miele will appear in the display.

- When you switch the refrigeration appliance on for the first time, you will be asked to configure the following settings:
 - Set the Language (if you accidentally select the wrong Language, return to Settings mode  and use the  symbol to change the language)
 - Set the Temperature unit: °C (degrees Celsius) or °F (degrees Fahrenheit)
 - Set up Miele@home:
- Select Continue if you would like to set up Miele@home now. You will then be guided by the display and the Miele App.


Using for the first time

As soon as your appliance has been integrated into your Wi-Fi network via the App, the message **Connection successful** will appear in your appliance's display.

■ Confirm the process with *OK* again.

If the Wi-Fi connection is active,  will appear in the display.

■ Select *Skip* if you would prefer to set up Miele@home later.

■ Touch the  sensor if you want to return to the previous menu level.

Set-up successful appears in the display.

■ Confirm the initial set-up with *OK*.

The main screen will appear in the display (see "Guide to the appliance - Main screen").

You cannot cancel the initial set-up process. The only way to terminate the process is to switch off the refrigeration appliance, though the process will continue when the appliance is switched back on.

Switching the appliance on

- Open the appliance door.
- Switch the refrigeration appliance on by pressing the On/Off switch.

The appliance will start to cool and the interior lighting will come on when the door is opened.

Miele will appear in the appliance display, followed by the main screen.



The message Freezer temperature too high. Max. temperature °C will appear in the display when the appliance is switched on for the first time or until the selected temperature has been reached in the freezer.

An alarm sounds.


- Confirm the message with *OK*.

The message will disappear from the display and the alarm will stop.

However, the message may reappear in the display after a short time.

As soon as the selected temperature has been reached in the freezer, the message will disappear completely from the display and the alarm will stop.

To enable the temperature to get sufficiently cold inside the appliance, allow the appliance to run for a few hours before placing food in it. Do not place food in the freezer until the temperature has dropped to at least -18 °C.

 Risk of damage due to high humidity.

In environments with high humidity, condensation can build up on external refrigeration appliance panels. This condensation can cause corrosion and lead to damage on external appliance panels.

Install the refrigeration appliance in a dry and/or air-conditioned room with sufficient ventilation.

Do not switch the refrigeration appliance on if you are going to be away for a long period of time.

Do not leave the refrigeration appliance unattended for a long period of time while it is switched on.

Switching off the appliance

- Switch the appliance off by pressing the On/Off switch.

The cooling and interior lighting are switched off.


Please note: The refrigeration appliance is not disconnected from the power supply when it is switched off with the On/Off switch.

Switching on and off

Switching off for longer periods of time

If the appliance is not going to be used for a longer period of time, e.g. whilst on holiday:

- Switch the appliance off.
- Switch off at the wall and withdraw the plug from the socket, or switch off the mains circuit breaker.

 Risk of damage due to frozen water intake pipe.


If the water supply is turned off while the ice cube maker is still in operation, the water intake pipe may freeze.


Switch the ice cube maker off if the water supply is to be interrupted (e.g. during holidays).


- Turn off the tap for the water supply (approx. 3 hours before switching off the appliance to avoid the build-up of mould caused by stagnant water).
- Empty the ice cube container.
- Clean the appliance.
- Clean the water filter.
- Leave the door ajar to air the appliance and to prevent odours building up.

If, during a long absence, the appliance is switched off but not cleaned and the door(s) left shut, there is a risk of mould forming inside the appliance.


It is essential to clean the appliance.


In Settings mode , you can select different functions of the refrigeration appliance and alter their settings, allowing you to adjust the appliance to suit your requirements.

Only the functions in Settings mode  that require further explanation are described below.

The door alarm and other warnings are automatically disabled when the appliance is in Settings mode .

Switching the Keypad lock / on or off

Switching on the Keypad lock prevents an inadvertent temperature adjustment or unwanted changes while in Settings mode .

- In Settings mode , use the < and > sensors to select Keypad lock and touch *OK* to confirm your selection.
- Use the < and > sensors to switch the sensor lock On or Off and select *OK* to confirm your selection.
- The sensor lock will not be activated until you close the appliance door.

Nothing will appear in the display to indicate that the sensor lock is switched on.

The message *Press OK for 6 seconds to unlock* will appear in the display if you select a sensor while the sensor lock is switched on.

- Follow the instructions in the display.



The display is unlocked briefly so you can adjust settings as required. Closing the appliance door will reactivate the sensor lock.


Switching Eco mode on or off

Eco mode is useful when going on a holiday, for example, if you do not wish to switch off the appliance completely or do not need a high degree of cooling. Energy consumption in Eco mode is lower than in normal operation.


The refrigerator zone is regulated to a temperature of 6 °C and the temperature in the dry compartment in the MasterFresh zone increases to approx. 3 °C.

The freezer zone is regulated to a temperature of -16 °C.


If the SuperCool  or SuperFreeze  function is switched on, these will be automatically switched off when Eco mode is selected.

- In Settings mode , use the < and > sensors to select Eco mode and touch *OK* to confirm your selection.
- Use the < and > sensors to switch Eco mode On or Off and confirm your selection with *OK*.

Only the changed temperatures in the display indicate that Eco mode is switched on.

Useful tip: You can also switch off the Eco mode function by directly adjusting the temperature  (see "The correct temperature - Setting the temperature").

Selecting further settings

 Health risk due to consumption of spoiled food.

Storing food at a temperature higher than $-18\text{ }^{\circ}\text{C}$ in the freezer zone for an extended period of time may impair the shelf life and quality of the food.

Only ever switch on the Eco mode function for a limited period.


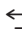
When switching to Eco mode, ensure that the food in the freezer is already properly frozen.

Do not freeze any new food while the Eco mode function is switched on.

Storing food at a temperature of $6\text{ }^{\circ}\text{C}$ for an extended period of time may impair the shelf life and quality of the food.

Carrying out a Self test


Perform a Self test if you feel that your refrigeration appliance is not functioning properly and needs to be checked for any malfunctions.

- In Settings mode , use the < and > sensors to select Self test and touch *OK* to confirm your selection.
- Touch the  sensor if you wish to terminate the process.

The Self test starts and the appliance is checked for any faults or malfunctions.

- If the Self test does not detect any faults or malfunctions, the display will show the message *System restart*.
- If the Self test does discover any faults or malfunctions, they are indicated as error messages in the display.

An alarm tone also sounds.

- If you find the alarm disruptive, you can switch it off early by touching the  sensor.
- Make a note of the error message(s) displayed.
- Contact customer service and inform them of the error message(s) in the display.
- Confirm the message with *OK*.

System restart will appear in the display.

The appliance will briefly switch off and then back on automatically.

Self test completed will appear in the display.

- Confirm the message with *OK*.



The main screen will appear in the display.

Switching Condensation protection on and off

The door pillar of the upper left appliance door (see “Guide to the appliance”) features integrated heating.

Switch the heating on if you notice condensation on the door pillar between the fridge zone doors or on the door seals.

Please note that energy consumption increases slightly when the Condensation protection is switched on.


- In Settings mode , use the < and > sensors to select Condensation protection and select *OK* to confirm your selection.
- Touch the sensor  if you wish to terminate the process.
- Use the < and > sensors to select On or Off and confirm your selection with *OK*.

Switching on the Door assistant

You can choose between the two Door assistants *Push2open* and *Pull2open*. The factory default Door assistant is *Push2open*.

The *Push2open* Door assistant is suitable for furniture fronts without handles. The door will open automatically when you gently press against it.

The *Pull2open* Door assistant is suitable for furniture fronts with handles. The appliance door can be opened easily and with little effort.

 Risk of damage if the appliance door is closed prematurely. When the Door assistant is switched on, repeatedly closing the appliance door early can lead to damage or malfunctions.

Refrain from holding onto or closing the appliance door while the automatic door opening is still extended. If you have closed the appliance door despite this, leave it closed for 5 minutes. The automatic door opening will reset itself.



If necessary, you can also switch on the Door assistant for only the refrigeration zone or the freezer zone. Use the < and > sensors to select the required zone and confirm your selection with *OK*.

Selecting further settings

Please note that the Door assistant can only be used to control the **right** fridge zone door.


If the Push2open function is activated with a handle-free furniture front, the right fridge zone door must be opened first before the left door can be opened.

Switching on Push2open

- In Settings mode , use the < and > sensors to select Door assistant and touch *OK* to confirm your selection.
- Use the < and > sensors to select Mode and confirm your selection with *OK*.
- Use the < and > sensors to select Push2open and confirm your selection with *OK*.
- Touch the  sensor to return to the previous menu level.


– Adjusting the intensity

You can also adjust the intensity of the Push2open function. The lower the intensity, the less force is required when you push against the appliance door.

- In Settings mode , use the < and > sensors to select Door assistant and touch *OK* to confirm your selection.
- Use the < and > sensors to select Intensity and touch *OK* to confirm your selection.
- Use the < and > sensors to select the desired intensity (Low, Medium, High) and select *OK* to confirm your selection.



- Adjusting the duration of the AutoClose function

You can also adjust the duration for how long the appliance door will remain open until it closes automatically.

- In Settings mode , use the < and > sensors to select Door assistant and touch OK to confirm your selection.
- Use the < and > sensors to select AutoClose and touch OK to confirm your selection.
- Use the + and – sensors to select the duration (5 to 30 seconds) and confirm your selection with OK.

To protect against unintentional opening: If you do not pull the appliance door open, it will close again by itself after the duration defined by you.

Switching on Pull2open

- In Settings mode , use the < and > sensors to select Door assistant and touch OK to confirm your selection.
- Use the < and > sensors to select Mode and confirm your selection with OK.
- Use the < and > sensors to select Pull2open and confirm your selection with OK.
- Touch the  sensor to return to the previous menu level.

– Adjusting the intensity



You can also adjust the intensity of the Pull2open function. The lower the intensity, the less force is required when you pull the appliance door open.

- In Settings mode , use the < and > sensors to select Door assistant and touch OK to confirm your selection.

- Use the < and > sensors to select Intensity and touch OK to confirm your selection.

- Use the < and > sensors to select the desired intensity (Low, Medium, High) and touch OK to confirm your selection.

Switching off the Door assistant

- In Settings mode , use the < and > sensors to select Door assistant and confirm your selection with OK.
- Use the < and > sensors to select Mode and confirm your selection with OK.
- Use the < and > sensors to select Off and confirm your selection with OK.
- Touch the  sensor to return to the previous menu level.

Selecting further settings


Miele@home

Setting up Miele@home

The message *Set up Miele@home* only appears if the refrigeration appliance has not yet been connected to a Wi-Fi network.


- Connect your refrigeration appliance as described in “Using for the first time”.

Deactivating Miele@home

- In Settings mode , use the < and > sensors to select Miele@home and touch *OK* to confirm your selection.
- Use the < and > sensors to select *Deactivate* and confirm your selection with *OK*.


Deactivation successful will appear in the display.

- Confirm the message with *OK*.

Your refrigeration appliance is now disconnected from your Wi-Fi network. The  symbol will go out in the display.


Activating Miele@home

If you have previously activated Miele@home and then deactivated the connection, you can reactivate the connection.


- In Settings mode , use the < and > sensors to select Miele@home and touch *OK* to confirm your selection.
- Use the < and > sensors to select *Activate* and confirm your selection with *OK*.

Activation successful will appear in the display.





- Confirm the message with *OK*.

If the Wi-Fi connection is active,  will appear in the display.

Checking the Wi-Fi connection status

- In Settings mode , use the < and > sensors to select Miele@home and touch *OK* to confirm your selection.
- Use the < and > sensors to select *Connection status* and confirm your selection with *OK*.


Information about the Wi-Fi connection status will appear in the display:

-  connected: strong connection
-  connected: average connection
-  connected: weak connection
- : no connection

Selecting further settings

Setting up Miele@home again

If you have changed your Wi-Fi network, you can set up Miele@home again for your appliance.


- In Settings mode , use the < and > sensors to select Miele@home and touch *OK* to confirm your selection.
- Use the < and > sensors to select Set up again and confirm your selection with *OK*.

Reset configuration? will appear in the display.

- Use the < and > sensors to select Yes or No and confirm your selection with *OK*.


Resetting the network configuration


Reset the appliance's settings to the factory settings when disposing of your refrigeration appliance, selling it or putting a used refrigeration appliance into operation. This will reset the network configuration so that all personal data is deleted from the refrigeration appliance. This will also ensure that, in the case of the latter, a previous owner is no longer able to access the appliance.

- Reset the settings of the refrigeration appliance as described in the chapter "Resetting the settings to their factory default settings .

Switching off Demo mode

Demo mode allows the appliance to be presented in a showroom **without the cooling system being switched on**. Do not activate this setting for domestic use.

If Demo mode has been switched on at the factory,  will show in the display.

- In Settings mode , use the < and > sensors to select Demo mode and touch *OK* to confirm your selection.

Press *OK* for 4 seconds to deactivate will appear in the display.

- Follow the instructions in the display.

The countdown Demo mode will deactivate in seconds will appear in the display.

Demo mode deactivated. Appliance cooling switched on will appear in the display.

- Confirm the message with *OK*.


The main screen will appear in the display.

Selecting further settings

Resetting the settings to their factory default settings




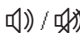

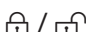






You can reset the appliance's settings to their default settings.

Reset the appliance's settings to the factory settings when disposing of your refrigeration appliance, selling it or putting a used refrigeration appliance into operation. This will reset the network configuration so that all personal data is deleted from the refrigeration appliance. This will also ensure that, in the case of the latter, a previous owner is no longer able to access the appliance.






- In Settings mode , use the < and > sensors to select Factory default settings and touch *OK* to confirm your selection.
 - Use the < and > sensors to select Reset and confirm your selection with *OK*.
- After a short while, Settings reset will appear in the display.
- Confirm the message with *OK*.

The initial setup process restarts (see “Using for the first time - Before using for the first time”).

The refrigeration appliance's settings will be reset to the following values:

Function	Factory default setting
 Language	English
 Display brightness	middle value (4 of 7 segments)
 Colour scheme	black
 Buzzer tones	middle value (4 of 7 segments)
 Keypad tone	middle value (4 of 7 segments)
°C/°F Temperature unit	° Celsius
 Keypad lock	switched off
 Eco mode	switched off
 Condensation protection	switched off
 Door assistant	Push2open
 Miele@home	switched off
 Holiday	switched off
 Dispenser unit	switched on

Selecting further settings

	Sabbath mode	switched off
	Water filter display	switched on
	Display Active AirClean filter	switched on
	Temperature in the fridge zone	4 °C
	Temperature in the dry compartment	2 °C
	Temperature in the freezer zone	-18 °C

Selecting further settings


Switching Holiday mode on or off

Holiday mode is useful when going on a holiday, for example, if you do not wish to switch off the fridge zone completely or do not need a high degree of cooling.


Food which does not go off quickly can be stored in the fridge zone for some time at this moderate temperature, and energy consumption is lower than in normal operation.

This also prevents the build-up of odours and mould which can occur if the fridge zone is switched off and the door is closed.


The fridge zone is regulated at a temperature of 14 °C, remaining in operation whilst also saving energy.

If the SuperCool  function is switched on, this will be switched off when Holiday mode is selected.

Please note that the temperature in the dry compartment in the MasterFresh zone also increases accordingly when Holiday mode is switched on.

The freezer zone remains switched on at the previously set temperature, and the SuperFreeze  function can still be selected.

Ice cube production is deactivated for as long as Holiday mode is switched on.


 Health risk due to consumption of spoiled food.

The shelf life and quality of food in the fridge zone may deteriorate if the temperature remains above 4 °C for an extended period.


Only ever switch on the Holiday mode for a limited period.

Do not store any temperature-sensitive food which goes off easily such as fruit, vegetables, fish, meat and dairy products during this time.

Switching Holiday mode on

- In Settings mode , use the < and > sensors to select Holiday mode and touch OK to confirm your selection.
- Use the < and > sensors to select On and confirm your selection with OK.

14 °C is now displayed in the temperature display for the fridge zone and the interior lighting in the fridge zone goes out.

The symbol  appears in the temperature display for the fridge zone.

Selecting further settings

Switching Holiday mode ☀ off

- In Settings mode ⚙, use the < and > sensors to select Holiday mode and touch *OK* to confirm your selection.
- Use the < and > sensors to select Off and confirm your selection with *OK*.

In the temperature display for the fridge zone, the previously set temperature appears again, and the interior lighting in the fridge zone switches on again.

The ☀ symbol disappears from the temperature display for the fridge zone.

Switching Sabbath mode 🕒 on or off

The refrigeration appliance has a Sabbath mode to support the observance of religious customs.

When Sabbath mode is switched on, you cannot configure any settings on your refrigeration appliance.

Ensure that the appliance door is properly closed, as visual and audible alarms are switched off in Sabbath mode.

- In Settings mode ⚙, use the < and > sensors to select Sabbath mode and touch *OK* to confirm your selection.
- Use the < and > sensors to select On or Off and confirm your selection with *OK*.


When Sabbath mode is switched on, 🕒 will appear in the display and the display brightness will be reduced (the display does not change when the appliance door is closed).

When Sabbath mode 🕒 is switched on, the following functions are switched off:

- the Door assistant
(with furniture fronts without handles, the appliance door will have to be pulled from the bottom or side)
- the lighting
- all acoustic and visual signals
- the temperature display
- the SuperCool function
(if previously switched on)
- the SuperFreeze function
(if previously switched on)
- the ice cube maker
(if previously switched on)

Selecting further settings

You can still select:

- the sensor for Settings mode  so that Sabbath mode can be switched off.

The Sabbath mode function will switch itself off automatically after approx. 125 hours.



Health risk due to consumption of spoiled food.

As a power cut during Sabbath mode is not indicated, frozen goods may thaw or defrost. This shortens the shelf life of the food.

Check the quality of the food.

Check whether the frozen food has started to defrost. If it has, check that the food is safe to use and if it is, use it as soon as possible or cook it before freezing it again.

Switching on, switching off, or resetting the Water filter display

Depending on the quantity of ice cubes produced, the Water filter display will remind you approx. every 6 months that the water filter needs to be cleaned.

Clean the water filter will appear in the display.


See “Cleaning and care - Cleaning the water filter (IntensiveClear mesh filter)” for information on how to clean the IntensiveClear water filter.

The first time the water filter needs to be cleaned, the display will remind you automatically; the reminder does not need to be switched on separately.

Switching on the Water filter display




If the Water filter display has been switched off, it must be switched on again if required.

- In Settings mode , use the < and > sensors to select Water filter display and select *OK* to confirm your selection.
- Use the < and > sensors to select On and confirm your selection with *OK*.

The Water filter display has been switched on.

Switching off the Water filter display



- In Settings mode , use the < and > sensors to select Water filter display and select *OK* to confirm your selection.
- Use the < and > sensors to select Off and confirm your selection with *OK*.


The Water filter display has been switched off.

Resetting the Water filter display



After you have cleaned the water filter, you must reset the Water filter display so that it will be displayed automatically again after approx. 6 months.

If you do not reset the reminder, it will appear again and again.

- In Settings mode , use the < and > sensors to select Water filter display and select *OK* to confirm your selection.
- Use the < and > sensors to select Reset and confirm your selection with *OK*.

The Clean the water filter message disappears from the display.

The Water filter display has been activated for the next time the water filter requires cleaning.

Selecting further settings

Switching on, switching off, or resetting the Display Active AirClean filter


The Display Active AirClean filter will remind you approx. every 6 months that the Active AirClean filters need to be replaced. Change Active AirClean filter appears in the display.

See “Cleaning and care - Replacing the Active AirClean filters” for instructions on how to replace the Active AirClean filters.

The first time the Active AirClean filters need to be replaced, the display will remind you automatically; the reminder does not need to be switched on separately.

Switching on the Display Active AirClean filter


If the Display Active AirClean filter has been switched off, it must be switched on again if required.

- In Settings mode , use the < and > sensors to select Display Active AirClean filter and touch *OK* to confirm your selection.
- Use the < and > sensors to select On and confirm your selection with *OK*.

The Display Active AirClean filter has been switched on.

Switching off the Display Active AirClean filter

If you do not require the Display Active AirClean filter, you can switch it off.

- In Settings mode , use the < and > sensors to select Display Active AirClean filter and touch *OK* to confirm your selection.


- Use the < and > sensors to select Off and confirm your selection with *OK*.

The Display Active AirClean filter has been switched off.

Resetting the Display Active AirClean filter

After you have replaced the Active AirClean filters, you must reset the Display Active AirClean filter so that it will be displayed again automatically after 6 months.

If you do not reset the reminder, it will appear again and again.

- In Settings mode , use the < and > sensors to select Display Active AirClean filter and touch *OK* to confirm your selection.
- Use the < and > sensors to select Reset and confirm your selection with *OK*.

The Change Active AirClean filter message disappears from the display.

The Display Active AirClean filter to replace the Active AirClean filters has been activated.

The correct temperature

It is very important to set the correct temperature for storing food in the appliance. Bacteria will cause food which is not stored at the correct temperature to deteriorate rapidly. Temperature influences the growth rate of these microorganisms. Reducing the temperature reduces their growth rate. The temperature in the appliance will rise:

- The more often the door is opened and the longer it is kept open.
- The more food is stored in it.
- The warmer the food is which is being put into it.
- The higher the ambient temperature of the refrigeration appliance. The appliance is designed for use within specific ambient temperatures (climate range). Do not use it in ambient temperatures for which it is not designed.

... in the fridge zone and in the MasterFresh zone

We recommend a temperature of 4 °C in the fridge zone.

The temperature in the dry compartment of the MasterFresh zone is regulated automatically and is maintained at approx. 2 °C at a fridge zone temperature of 4 °C.

Please note that if the temperature in the fridge zone is any warmer, the temperature in the dry compartment of the MasterFresh zone will rise as well.

This is also the case if you switch on the Eco mode and Holiday mode functions, for example.

Automatic temperature distribution (DynaCool)


The fan switches on automatically when the cooling system for the refrigerator switches on. It distributes the temperature in the appliance to all areas more evenly so that all the food is chilled to about the same degree.

The correct temperature

... in the freezer zone

To freeze fresh food and to store frozen food for long periods, a temperature of **-18 °C** is required. At this temperature the growth of micro-organisms is generally halted. As soon as the temperature rises above -10 °C, the bacteria become active in the food again so it cannot be kept as long. For this reason, partially defrosted or defrosted food must not be refrozen. Food may be refrozen once it has been cooked, as the high temperatures achieved when cooking destroy most bacteria.

Setting the temperature

- Touch the  sensor for setting the temperature.

The previously set temperatures of the fridge and freezer zones are displayed.

- Use the < and > sensors to select the temperature zone for which you want to adjust the temperature and touch *OK* to confirm your selection.
- Use the + and - sensors to set the temperature. Keeping your finger on the sensor changes the temperature continuously.
- Confirm the temperature setting with *OK* or wait approx. 8 seconds after the last touch of a sensor. The temperature will then be adopted automatically.

Useful tip: The newly set temperature can also be confirmed and adopted by closing the appliance door.

The temperature display always shows the **required** temperature.

If you have adjusted the temperature, **wait for approx. 6 hours if the appliance is not very full and for approx. 24 hours if the appliance is full**

before checking the temperature display. It will take this long for the required temperature to be reached.

- If, after this time, the temperature is still too high or too low, adjust it again.

Adjusting the temperature in the dry compartment of the MasterFresh zone

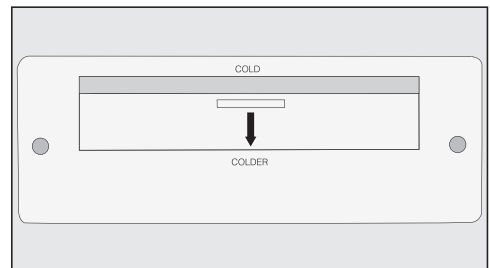
The temperature in the dry compartment of the MasterFresh zone is maintained at approx. 2 °C.

However, if you would like it to be colder, e.g. when storing fish, you can adjust the temperature in the dry compartment to make it slightly lower:

- Open the upper appliance door.
- Fully remove the dry compartment (see “Adjusting the interior fittings - Removing compartments in the fridge zone”) or pull it out as far it will go.

There is a temperature regulator on the rear wall of the fridge zone. You can use this to adjust the temperature in the dry compartment slightly.

The temperature regulator is set to the “cold” position at the factory.



- To set the temperature regulator to the “colder” position, pull it downwards by the handle.

The temperature in the dry compartment of the MasterFresh zone will drop permanently to just above 0 °C.

Temperature range

The temperature can be adjusted:

- in the fridge zone from 2 °C to 8 °C
- in the freezer zone from -14 °C to -24 °C

The ambient temperature in the room and the installation location can affect the time it takes for the appliance to reach the lowest temperature.

If the ambient temperature is too high, the appliance may not reach the lowest temperature.

Using SuperCool and SuperFreeze

SuperCool function ❄️

The SuperCool function can be used to rapidly reduce the temperature in the refrigerator section to its lowest setting (depending on the room temperature).

SuperCool is particularly recommended for the rapid chilling of large amounts of fresh food or drinks.

Switching on SuperCool

- Touch the 🌡️ sensor for setting the temperature.
- Use the < and > sensors to select the temperature display of the fridge zone and confirm your selection with *OK*.
- Touch the ❄️ sensor to switch the SuperCool function on.

The ❄️ symbol will be highlighted in colour and the newly set temperature value of 2 °C will appear in the display.

- Confirm the setting with *OK* or wait approx. 8 seconds after the last touch of the sensor. The setting will then be automatically adopted.

The ❄️ symbol will light up in the temperature display for the fridge zone.

The appliance will run at maximum power.

Switching off SuperCool

- Touch the 🌡️ sensor for setting the temperature.
- Use the < and > sensors to select the temperature display of the fridge zone and confirm your selection with *OK*.

The ❄️ symbol will be highlighted in colour and the temperature value of 2 °C will appear in the display.

- Touch the ❄️ sensor to switch the SuperCool function off.

The ❄️ symbol is no longer highlighted in colour and the previous temperature setting appears again in the display.

- Confirm the setting with *OK* or wait approx. 8 seconds after the last touch of the sensor. The setting will then be automatically adopted.

The ❄️ symbol will disappear from the temperature display for the fridge zone.

The refrigeration appliance will run at normal power again.

If you do not switch off the SuperCool function, it will turn itself off automatically after approx. 6 hours. The appliance will then run at normal power again.

Useful tip: To save energy, the SuperCool function should be switched off once food and drinks are sufficiently chilled.

Using SuperCool and SuperFreeze

SuperFreeze function ❄️

For best results, switch on the SuperFreeze function before putting fresh food into the freezer.


This helps food to freeze quickly and retain its nutrients, vitamins, flavours and appearance.

Exceptions:

- When placing food in the freezer that is already frozen.
- If you only freeze up to 2 kg fresh food daily.

Switching on SuperFreeze

The SuperFreeze function should be switched on **4–6 hours before placing food in the freezer**. When freezing the **maximum amount of food** the SuperFreeze function should be switched on **24 hours beforehand**.

- Touch the  sensor for setting the temperature.
- Use the < and > sensors to select the temperature display of the freezer zone and touch *OK* to confirm your selection.
- Touch the ❄️ sensor to switch the SuperFreeze function on.


The ❄️ symbol will be highlighted in colour and the newly set temperature value of -30 °C will appear in the display.

- Confirm the setting with *OK* or wait approx. 8 seconds after the last touch of the sensor. The setting will then be automatically adopted.

The symbol ❄️ will appear in the temperature display for the freezer zone.

The appliance will run at maximum power.

Switching off SuperFreeze

- Touch the  sensor for setting the temperature.
- Use the < and > sensors to select the temperature display of the freezer zone and touch *OK* to confirm your selection.

The ❄️ symbol will be highlighted in colour and the temperature value of -30 °C is shown in the display.

- Touch the ❄️ sensor to switch the SuperFreeze function off.

The ❄️ symbol is no longer highlighted in colour and the previous temperature setting appears again in the display.

- Confirm the setting with *OK* or wait approx. 8 seconds after the last touch of the sensor. The setting will then be automatically adopted.

The ❄️ symbol will disappear from the temperature display for the freezer zone.

The refrigeration appliance will run at normal power again.

If you do not turn off the SuperFreeze function, it will turn itself off automatically after approx. 54 hours. The quantity of fresh food placed in the freezer will determine the time before SuperFreeze switches off.

The appliance will then run at normal power again.

Useful tip: To save energy, you should manually switch the SuperFreeze function off once the freezer zone reaches a **constant** temperature of -18 °C or colder. Check the temperature in the freezer zone.

Temperature and door alarm

The appliance has been fitted with a warning system which ensures that the temperature in the freezer zone cannot rise unnoticed and to avoid energy being wasted if a door is left open.

Temperature alarm

The Freezer temperature too high. Max. temperature °C message appears in the display if the temperature in the freezer zone becomes too warm.


An alarm also sounds.

The temperature display shows the highest value that occurred during the temperature rise.

The acoustic and visual signals are triggered, for example:

- when the refrigeration appliance is switched on and the temperature in the appliance differs greatly from the set temperature
- if a lot of room air enters the freezer as food is being loaded, rearranged or taken out
- when freezing large amounts of food at once
- when you freeze fresh food that is still warm
- after a power cut.

The alarm will stop and the message in the display will go out as soon as the reason for the alarm has been resolved.

 Health risk due to consumption of spoiled food.

If the temperature in the freezer remains above -18 °C for a long time, the frozen goods may start to defrost. This shortens the shelf life of the food.

Check whether the frozen food has started to defrost. If it has, check that the food is safe to use and if it is, use it as soon as possible or cook it before freezing it again.

Switching the temperature alarm off early

Before you switch the temperature alarm off, you must determine the cause and rectify it.

You can switch the alarm off early if you wish.

- Touch the *OK* sensor.

The alarm will stop and the message will disappear from the display.

Door alarm

The alarm will sound if a door is left open for more than 2 minutes.

In addition, the *Close the door* message will appear in the display.

As soon as the open door is closed, the alarm will stop and the message in the display will go out.

Switching the door alarm off early

You can switch the alarm off early if you wish.

- Touch the *OK* sensor.

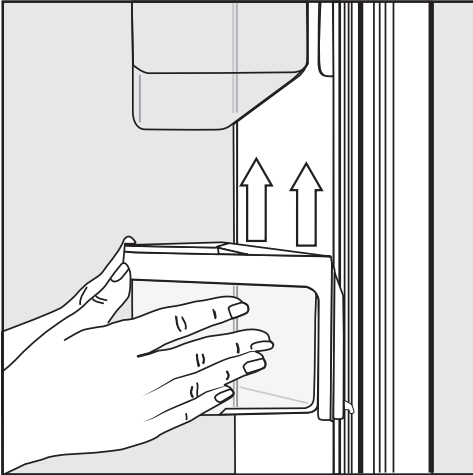
The alarm will stop and the message will disappear from the display.

The alarm will sound again and the message will reappear in the display after a while if the open door has not been closed.

Adjusting the interior fittings

Moving or removing the shelves in the appliance door

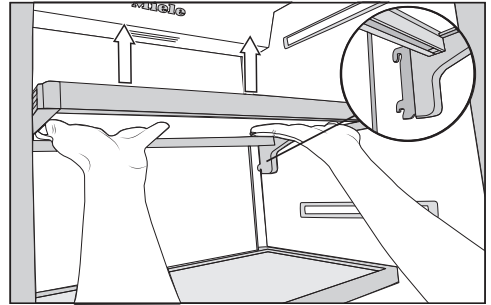
Only move the shelves in the door when they are empty.



- Hold the shelf on the frame with both hands and lift it slightly so that it can be lifted over the guide on both sides with the catches.
- Remove the shelf or refit it in the required position with the catches in the guides at the same height.
- Make sure that the shelf is straight.

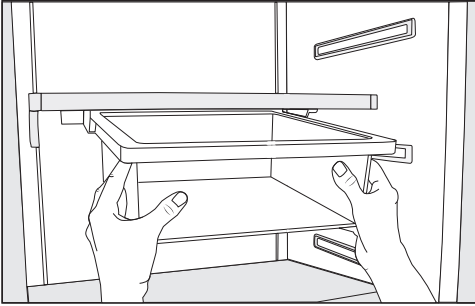
Useful tip: For the purposes of loading and unloading or cleaning, the clip-in containers in the shelves can be removed from their holders completely.

Moving or removing the adjustable shelves



- Hold the shelf on both sides and raise it slightly so that it can be lifted with the catches over the guide at the back.
- Pull the shelf forwards.
- Remove the shelf or refit it in the required position in the guide with the catches.
- Make sure that the shelf is straight.

Removing the hanging drawer



- Pull the hanging drawer straight out to lift it over the pull-out stops on both sides.
- To reinsert the hanging drawer, push it straight into the guide.

The hanging drawer can be moved to the left or right if required.

Moving the hanging drawer

The hanging drawer can be fixed under any shelf in the refrigerator section.

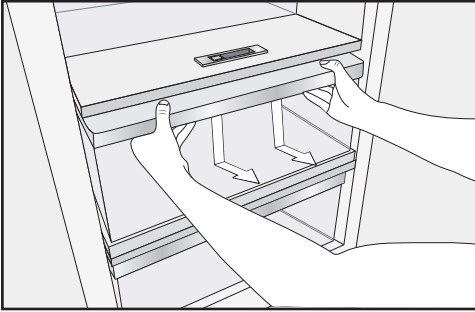
- Pull the hanging drawer out.
- To remove the holder for the hanging drawer, press against the retainers on both sides of the holder from the rear and pull the holder downwards diagonally from the frame.
- To refit the holder, press against the retainers on both sides of the holder from the rear and clamp it into the gap on the frame from below.
- Refit the hanging drawer.

Useful tip: Alternatively, you can move the shelf together with the hanging drawer.

Adjusting the interior fittings

Removing compartments from the refrigerator

- Pull the compartment out a little bit.



- Using both hands, grasp the compartment frame from below and push the compartment downwards so that the rear end disengages and lifts upwards.
- Pull the compartment forwards to remove it.

Then push the telescopic runners back in to avoid damaging them.

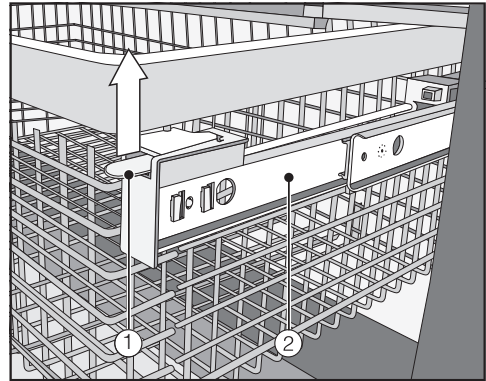
Be careful not to wash out the special lubricant in the telescopic runners during cleaning. Wipe the telescopic runners with a damp cloth to clean them.

- To reinsert the compartment, position it on the telescopic runners so that it clicks into place.

Removing the freezer baskets

The freezer baskets can also be removed if necessary (e.g. for cleaning).

- Open the lower appliance door as wide as possible.
- Pull the freezer basket out as far as it will go.



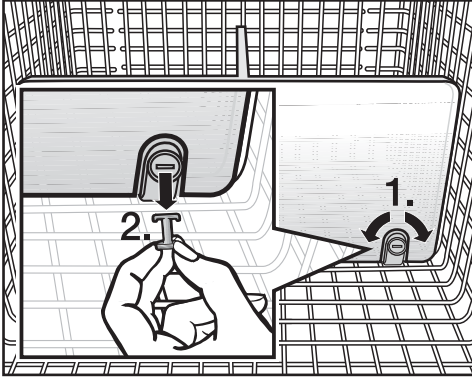
- Raise the snap fastening ① on both sides, unclip, and carefully lift the basket out.
- To replace it, pull the telescopic runners ② out as far as they will go.
- Place the freezer basket back in.
- Slide the basket all the way back in until it engages in the snap fastening.

Adjusting the interior fittings

Removing the dividing panel (depending on model)

The dividing panel in the freezer basket can be removed for cleaning:

The dividing panel is secured to the freezer basket with brackets.



- Pull the freezer basket out as far as it will go.
- To release the brackets, use a suitable object to turn the slots in the pegs to a horizontal position (1.).
- Remove the pegs from the brackets (2.).
- Pull the dividing panel upwards to remove it.
- To reinsert the dividing panel, place the brackets in an upright position and position the dividing panel onto the brackets so that you hear it click into place.
- Insert the pegs into the brackets and use a suitable object to turn the slots in the pegs into a vertical position.
- Push the freezer basket all the way back in.

Removing the ice cube container

The ice cube container can be removed for cleaning.

- Open the lower appliance door as wide as possible.
- Tilt the ice cube container forwards and pull it up and out to remove it.

Ice cube production does not stop when the ice cube container has been removed. Ice cubes can fall into the freezer basket underneath. Only remove the ice cube container for a short time, if possible, or switch off the ice cube maker beforehand (see “Making ice cubes - Switching the ice cube maker off”).

Storing food in the refrigerator section

Different storage zones

Due to the natural air circulation there are different temperature zones in the refrigerator.

Cold, heavy air sinks to the lowest section of the appliance. Make use of the different zones when placing food in the appliance.

Useful tip: To allow air to circulate efficiently, do not pack food too closely together in the refrigerator.

If there is insufficient air circulation, the cooling performance will decrease and energy consumption will increase.

Do not cover the fan in the rear wall of the appliance.

Useful tip: Do not store food in such a way that it touches the rear wall of the refrigerator. It may freeze to the back wall.

This refrigeration appliance has automatic dynamic cooling, which helps to keep an even temperature when the fan is running. The difference between the various temperature zones is therefore less pronounced.

Warmest area

The warmest area is located in the top section of the main storage area and the door. Use this for storing butter so that it remains spreadable and for cheese so that it retains its flavour.

Coldest area

The coldest area in the fridge zone is directly above the MasterFresh zone and at the back of the appliance. The temperature in the dry compartment of the MasterFresh zone is even colder.

Use this area in the fridge zone and the dry compartment of the MasterFresh zone for all delicate and highly perishable food, e.g.:

- fish, meat, poultry
- sausage products, ready meals
- dishes or baked goods containing eggs or cream
- fresh dough, cake mixtures, pizza or quiche dough
- soft cheese and other dairy products
- pre-packed vegetables and other fresh food with a label stating it should be kept at a temperature of no higher than 4 °C.

Useful tip: This compartment is ideal especially for homemade meals, as the growth of existing microorganisms is greatly reduced.

Storing food in the refrigerator section

Food which is not suitable for storage in the refrigerator

Not all food is suitable for refrigeration at temperatures below 5 °C because it is sensitive to cold.

Foods which are sensitive to cold include:

- Pineapples, avocados, bananas, pomegranates, mangoes, melons, papayas, passionfruit and citrus fruits such as lemons, oranges, mandarines, grapefruits
- Fruit (which is not yet ripe)
- Eggplants, cucumbers, potatoes, capsicums, tomatoes, zucchini
- Hard cheeses, e.g. Parmesan, mountain cheese

Notes on buying food

The freshness of the food when it is first placed in the appliance is the most important factor for how long it stays fresh.

Take into account the use-by date and the correct storage temperature.

Time out of the refrigerator, e.g. transporting food in a warm car, should be kept to a minimum.

Storing food correctly

Ensure that food stored in the refrigerator section is in packaging or covered properly (some exceptions apply in the MasterFresh zone). This will prevent food smells from affecting other foods, food from drying out, and also cross-contamination of bacteria. This is especially important when storing meat products. Make sure that foods such as raw meat and fish in particular do not come into contact with other foods.

By ensuring that the temperature settings are correct and by taking appropriate hygiene measures, you can prolong the storage life of your food considerably.

Storing food in the MasterFresh zone

MasterFresh zone

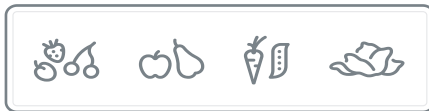
The MasterFresh zone provides ideal storage conditions for fruit, vegetables, fish, meat, and dairy products. Food stays fresh considerably longer while retaining both flavour and vitamins.

The MasterFresh zone comprises a humidity-controlled and a dry compartment.

- Depending on the moisture regulator setting, the **humidity-controlled compartment** is particularly suitable for **storing fruit and vegetables**.
- The **dry compartment** is suitable for **storing perishable foods** such as fish, meat, and dairy products. Any type of food can in fact be stored in this compartment, as long as it is packaged.

	Max. load of the humidity-controlled compartment	Max. load of the dry compartment
KF 29x1 Vi	13.5 kg	18 kg

Humidity-controlled compartment with moisture adjustment



The moisture released by food in storage is kept within the humidity-controlled compartment. The more the humidity in the humidity-controlled compartment corresponds to the food's own humidity content, the crisper and fresher the food will remain over a longer period of time, as the water content of the food is largely retained.

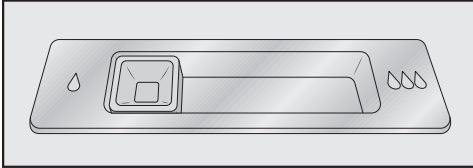
The moisture level greatly depends on the type and quantity of the food being stored, if stored unwrapped.

The temperature in the humidity-controlled compartment is approximately equivalent to the temperature in the conventional refrigerator section.

Remember that the freshness of the food when first placed in the appliance is the most important factor in determining how long it will stay fresh.

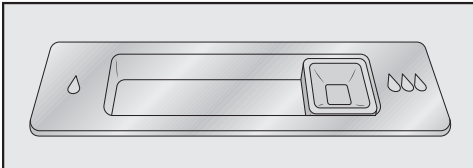
Storing food in the MasterFresh zone

The moisture regulator is used to regulate the amount of moisture in the humidity-controlled compartment with the settings Δ to $\Delta\Delta\Delta$.



Position of the moisture regulator Δ = slightly increased humidity

Select the Δ setting if you store **very large quantities** of fruits and vegetables in the humidity-controlled compartment. The moisture regulator partially closes the vents in the compartment so that some of the moisture present is retained.



Position of the moisture regulator $\Delta\Delta\Delta$ = increased humidity

Select the $\Delta\Delta\Delta$ setting if you store **small to large quantities** of fruits and vegetables in the humidity-controlled compartment. The moisture regulator closes the vents in the compartment completely so that all of the moisture present is retained.

Useful tip: If the humidity level is too high and a lot of moisture collects in the compartment, select the Δ setting. If the quantity of food being stored in this compartment is small, the moisture level may be too low. If you are only storing a small amount of food, wrap it in airtight packaging.

Increased moisture in the humidity-controlled compartment can, in some circumstances, cause a build-up of condensate.

Wipe off any condensate with a cloth.

Regulating the humidity level in the humidity controlled compartment

- Slide the moisture regulator to the left Δ or right $\Delta\Delta\Delta$ depending on the setting required.

Storing food in the MasterFresh zone

Dry compartment with low temperature



The temperature in the dry compartment is maintained at -1 to 3 °C. While lower than the temperature in a conventional refrigerator, this is the optimum temperature range for storing fresh food which is not sensitive to cold.

As the shelf life of the food is extended at this temperature, food can be stored considerably longer without loss of freshness.

The humidity level is similar to that in the conventional refrigerator section.

Useful tip: This compartment is ideal especially for homemade meals, as the growth of existing microorganisms is greatly reduced.

The dry compartment is ideal for storing perishable foods such as:

- Dairy products such as yoghurt, cheese, cream, quark etc.
- Deli salads
- Meat, poultry, sausages
- Fresh fish, shellfish and crustaceans
- Any type of food can in fact be stored in this compartment, as long as it is packaged.

Please note that foods rich in protein deteriorate faster than others.

Shellfish, for example, deteriorates faster than fish, and fish deteriorates faster than meat.

For hygiene reasons, always keep these foods **covered or wrapped** in this compartment.

In addition, wrapped or covered food is protected against drying out.

Take food out of the dry compartment approximately 30 to 60 minutes before using it. The aroma and taste do not fully develop until the food has reached room temperature.

At high room temperatures, delicate food should preferably be kept in the refrigerator section for a period of time.

Storing food in the MasterFresh zone

If you are not satisfied with your stored food (for example the food wilts or becomes limp after only a short storage time), ensure the following:

- Only place fresh food in the appliance. The initial condition of the food is crucial to maintaining freshness.
- Clean the MasterFresh zone before storing food in it.
- The surface of very moist food should be dried before storing it in the humidity-controlled compartment.
- Do not store food which is sensitive to cold in the dry compartment (see “Using the refrigerator efficiently - Food which is not suitable for storing in the refrigerator”).
- Allocate the appropriate setting to the food you wish to store (e.g. humid or dry storage).
- Store food loose in the humidity-controlled compartment.
A high humidity level in the humidity-controlled compartment is achieved by the moisture present in the food being stored.
If the humidity level is not high enough (e.g. too little food is being stored), it can be increased by placing a damp sponge in the drawer.
- If you think that the temperature in the dry compartment is too high or too low, adjust the temperature in the fridge zone (see “The correct temperature - Setting the temperature”). If ice crystals start to form on the floor of the dry compartment, increase the temperature as otherwise the cold temperature will damage the food.
- If too much water collects at the bottom of the humidity-controlled compartment, dry it with a cloth. If necessary, dry food before placing it in the appliance or place a rack at the bottom of the humidity-controlled compartment to allow water to drain off.

Freezing and storing food

Freezing fresh food

Fresh food should be frozen as quickly as possible so that the nutritional value of the food, its vitamin content, appearance and flavour are maintained.

Food which takes a long time to freeze will lose more water from its cells, which then shrink. During the defrosting process, only some of this water is reabsorbed by the cells. In practice this means that the food loses more moisture. You can see this in the large amount of water that collects around the food when it defrosts.

If food is frozen quickly, the cells have less time to lose moisture, so they shrink less. As there is much less moisture loss, it is easier for the food to reabsorb it during defrosting, and very little water collects around the defrosted food.

Storing frozen food

Never refreeze partially or fully defrosted food. Defrosted food may only be refrozen after it has been cooked.

When buying frozen food to store in your freezer, make sure to check:

- that the packaging is not damaged
- the use-by date and
- the temperature at which the frozen food is being stored at the store.

The length of time food can be kept is reduced if it has been stored at a temperature warmer than -18°C .

- Buy frozen food once you have finished the rest of your shopping, and wrap it in newspaper or use a cooler bag or cool box to transport it.
- Store it in the freezer as soon as possible after returning home.

Home freezing

Only freeze food which is fresh and in good condition.

Tips on home freezing

- The following types of food **are suitable** for freezing:
Fresh meat, poultry, game, fish, vegetables, herbs, fresh fruit, dairy products, pastry, leftovers, egg yolks, egg whites and a range of pre-cooked meals.
- The following types of food **are not suitable** for freezing:
Grapes, lettuce, radishes, sour cream, mayonnaise, eggs in their shells, onions, whole raw apples and pears.
- To retain colour, taste and vitamin C, vegetables should be blanched before freezing. To blanch, immerse the trimmed and washed vegetables in boiling water for 2-3 minutes. Remove and plunge into ice-cold water to cool quickly. Drain and pack ready for freezing.
- Lean meat freezes better than fatty meat and can be stored for considerably longer.
- Separate chops, steaks, cutlets, schnitzel or rolled meat with a sheet of plastic freezer film. This prevents them from freezing together in a block.
- Do not season fresh foods or blanched vegetables before freezing. Only season cooked food lightly before freezing. The taste or intensity of some spices alters when frozen.
- Allow hot foods and drinks to cool down before placing them in the freezer. Placing hot foods or drinks in

the freezer causes food that is already frozen to partially thaw and increases energy consumption.

Packaging food for freezing

- Freeze food in portions.

Suitable packing material

- Plastic cling wrap
- Tubular polyethylene film
- Aluminum foil
- Freezer containers and bags

Unsuitable packing material

- Wrapping paper
- Grease-proof paper
- Cellophane
- Bin bags
- Plastic shopping bags
- Expel as much air as possible from bags etc. before sealing them to prevent freezer burn on food.
- Close the packaging tightly with
 - Rubber bands
 - Plastic clips
 - String or bag ties
 - Freezer tape

Useful tip: Freezer bags and tubular polyethylene film may also be sealed using home heat sealing kits.

- Label the packaging with the contents and the date of freezing.

Before placing food in the appliance

- When freezing more than 2 kg of fresh food, switch on the SuperFreeze function at least 4-6 hours before placing the food in the freezer (see "Using SuperCool and SuperFreeze").

Freezing and storing food

This helps food which is already stored in the freezer to stay frozen.

Placing food in the freezer

Food to be frozen can be placed anywhere in the freezer zone. Place large quantities of food in the large freezer basket.

- Place the food to be frozen flat in the bottom of the basket so that it freezes through to the core as quickly as possible.
- Fill the upper freezer basket first as the food will freeze quickest here.
- Make sure that the packaging and containers are dry to prevent them sticking together when frozen.
- Please follow the guidelines in the table below regarding recommended weights for the baskets:

	Upper freezer basket	Lower freezer basket
KF 29x1 Vi	18 kg	36 kg

Unfrozen food should not touch frozen food as this will cause the frozen food to begin to thaw.

Storage time for frozen food

The storage life of food varies greatly, even when a constant temperature of -18 °C is maintained. Even in frozen products, degradation processes take place, only at a much slower rate. For example, fat can become rancid from contact with oxygen in the air. Lean meat can therefore be stored approximately twice as long as fatty meat.

The storage times quoted are guide values for the storage life of different food groups in the freezer.

Food group	Storage time (months)
Ice cream	2 to 6
Bread, baked goods	2 to 6
Cheese	2 to 4
Fish, oily	1 to 2
Fish, lean	1 to 5
Sausage, ham	1 to 3
Game, pork	1 to 12
Poultry, beef	2 to 10
Vegetables, fruit	6 to 18
Herbs	6 to 10

Where the storage time given on the packaging differs, follow the advice on the packaging.

By keeping the freezer at a constant temperature of -18 °C and taking appropriate hygiene measures, you can maximize the storage life of your food and avoid food waste.

Defrosting frozen food

Never refreeze partially or fully defrosted food. Defrosted food may only be refrozen after it has been cooked.

Frozen food can be defrosted in different ways:

- in a microwave oven
- in an oven using “Fan Heat” or the “Defrost” setting
- at room temperature
- in the refrigerator section (the cold given off by the frozen food helps to keep the other food cold)
- in a steam oven

Flat pieces of partially defrosted fish or meat can be placed directly into a hot frying pan.

Thicker pieces of meat and fish (e.g. minced beef, chicken, fish fillet) should not come into contact with other food when defrosting. Collect the defrosting liquid and then pour it away, making sure you wash the container it was in, the sink and your hands.

Fruit should be defrosted at room temperature in its packaging or in a covered bowl.


Most vegetables can be cooked while still frozen. Just put straight into boiling water or hot fat. The cooking time is slightly less than that of fresh vegetables due to changes in the cell structure.

Cooling drinks quickly

When cooling drinks quickly in the freezer, make sure bottles are **not left in for more than one hour**, otherwise they could burst, causing injury and damage.

Making ice cubes

For the automatic ice cube maker to operate, it must be connected to a mains water supply (see “Installation - Water connection”).


 Risk to health due to contaminated water.

The consumption of polluted water can lead to health problems.

The first three batches of ice cubes made after the ice cube maker is started up must not be consumed, as the water will have been used for the initial rinsing of the water supply line.

This applies to using it for the first time as well as when using the appliance again after it has been switched off for a long time.

Switching on the ice cube maker

- Make sure that the ice cube container is correctly located underneath the ice cube maker.
- In Settings mode , use the < and > sensors to select Dispenser unit and touch *OK* to confirm your selection.
- Use the < and > sensors to select On and confirm your selection with *OK*.

Once the freezer zone has cooled down to its set temperature, the ice cube maker will fill with water.


As soon as the water is frozen, ice cubes will fall out of the ice cube maker into the ice cube container.

Ice cube production is halted automatically when the ice cube container is full.

The ice cube maker can make up to approx. 1.3 kg of ice cubes in 24 hours.

The amount of ice cubes made by the appliance depends on the temperature in the freezer zone. **The lower the temperature, the more ice cubes are produced.**

When using the appliance for the first time, it can take up to 10 hours for the first ice cubes to drop out of the ice cube maker and collect in the container.

 Risk of damage due to blocking of the ice cube maker.

The ice cube maker could be blocked and damaged as a result.

Do not place any bottles or food into the ice cube container to chill them quickly.


Empty the ice cube container at regular intervals, or at least if you have not produced any ice cubes for more than a week. This will ensure that you always have fresh ice cubes, and the ice cubes will not clump together.

Ice cube production does not stop when the ice cube container is removed. Ice cubes can fall into the freezer basket underneath.

If possible, only remove the ice cube container **for a short time** or switch off the ice cube maker before removing it.

Switching the ice cube maker off

The ice cube maker can be switched off independently of the freezer zone if you do not want the appliance to make any ice cubes.

- Turn off the tap for the water supply approx. 3 hours before switching off the appliance to avoid the build-up of mould caused by stagnant water.
- In Settings mode , use the < and > sensors to select Dispenser unit and touch *OK* to confirm your selection.
- Use the < and > sensors to select Off and confirm your selection with *OK*.

Automatic defrosting

Refrigerator section and MasterFresh zone

The refrigerator section and the MasterFresh zone defrost automatically.

Condensate and ice can build up on the back wall of the refrigerator section and the MasterFresh zone while the compressor is running. You do not need to remove this, as it will defrost and evaporate automatically with the warmth generated by the appliance.


Freezer zone

The appliance is equipped with a “NoFrost” system. The freezer defrosts automatically.

The moisture generated in the appliance collects on the evaporator and is automatically defrosted and dissipated from time to time.

This automatic defrosting system enables the freezer to remain permanently ice-free. Food stored in the freezer will not defrost with this system.

Do not let water get into the electronic unit or the lighting.

 Risk of damage due to moisture ingress.

The steam from a steam cleaning appliance can damage plastic parts and electrical components.

Do not use a steam cleaner to clean the appliance.

The data plate located inside the refrigeration appliance must not be removed. It contains information which is required in the event of a fault.

Cleaning agents

To avoid damaging the surfaces of your appliance, **do not use:**

- cleaning agents containing soda, ammonia, acids or chlorides
- cleaning agents containing descaling agents
- abrasive cleaning agents, e.g. powder cleaners and cream cleaners
- solvent-based cleaning agents
- stainless steel cleaning agents
- dishwasher cleaner
- oven sprays
- glass cleaning agents
- hard, abrasive sponges and brushes, e.g. pot scourers
- dirt erasers
- sharp metal scrapers.

Cleaning and conditioning agents used in the interior of the refrigeration appliance must be food safe.

We recommend using lukewarm water with a little dishwashing liquid to clean the appliance.

Cleaning and care

Before cleaning the appliance

- Switch the appliance off by pressing the On/Off switch.
- Take any food out of the appliance and store it in a cool place.
- Take out all other removable parts for cleaning (see "Adjusting the interior fittings").

Cleaning the interior and accessories

Clean the appliance regularly, or at least once a month.
Clean up any spills, stains and food immediately. Do not allow them to dry and stick to the appliance.

- Clean the interior with a solution of lukewarm water and a little dishwashing liquid. Rinse all parts by hand. Do not wash in a dishwasher.
- After cleaning, wipe with a damp cloth and dry with a soft cloth.
- Leave the door open for a short time to air out the appliance and avoid the formation of odours.

Aluminium frames


The frames on the shelves inside the appliance and the door shelves are partially made from aluminium.

Aluminium is a dynamic material. The reflection and appearance of aluminium changes in different lights and environments and depending on the angle you view it from. It is also susceptible to scratching.

The aluminium frames may become discoloured or get damaged if soiling is left on for too long.

Remove any soiling from the aluminium frames immediately.

Cleaning the door seal

 Risk of damage due to incorrect cleaning.

If you treat the door seal with oils or grease, it can become porous.

Do not use any oils or grease on the door seals.

- The door seal should be cleaned regularly with clean water, and then wiped dry with a soft cloth.

Cleaning the ventilation gaps

A build-up of dust will increase the energy consumption of the appliance.

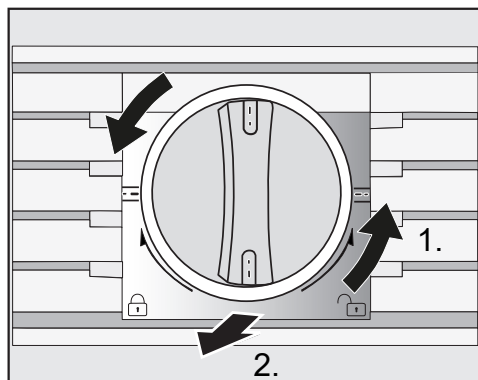
- The ventilation gaps should be cleaned on a regular basis with a brush or vacuum cleaner (you could use a Miele Vacuum Cleaner dusting brush, for example).

Cleaning the water filter (IntensiveClear mesh filter)

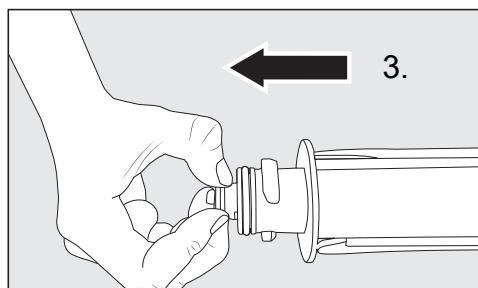
Depending on the quantity of ice cubes produced, the IntensiveClear mesh filter must be cleaned approx. every 6 months.

Clean the water filter appears in the display.

- Confirm the message with *OK*.

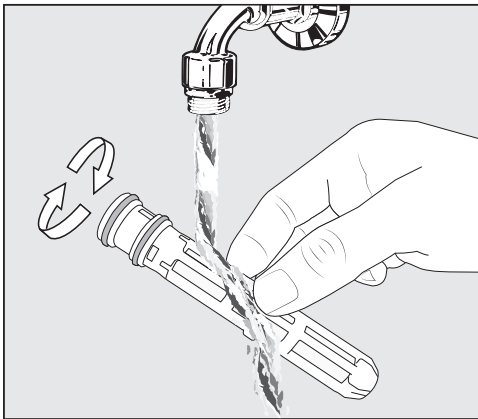


- Turn the cap of the filter cartridge anti-clockwise until it is in the vertical position 1.) and slide it out of the filter opening 2.).

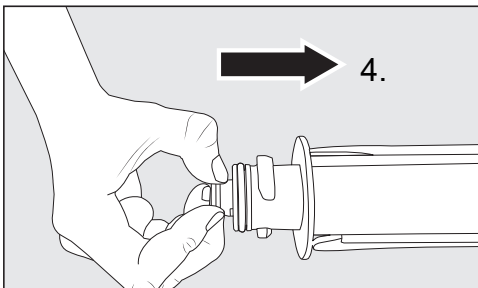


- Pull the mesh out of the back of the filter cartridge 3..

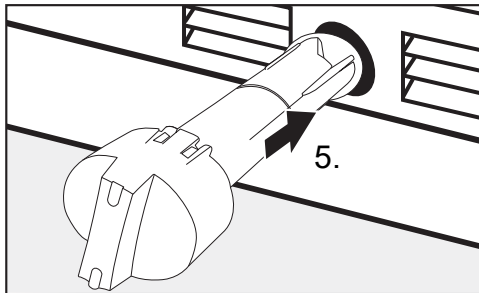
Cleaning and care



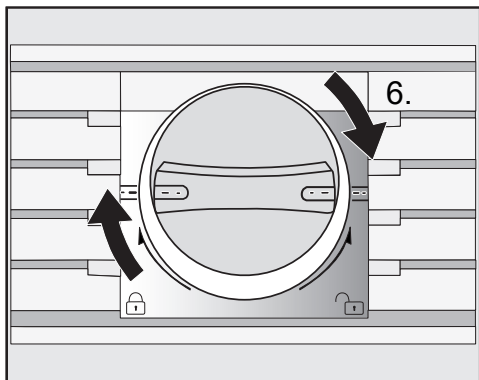
- Rinse the mesh under lukewarm running water. Turn the mesh over under the running water to clean it on all sides.



- Reinsert the mesh into the back of the filter cartridge 4..



- Slide the filter cartridge as far as it will go into the filter opening 5.), making sure the cap is vertical.






- Turn the cap of the filter cartridge clockwise until it is in the horizontal position 6.).

⚠ Risk of damage caused by water running out.

If the filter cartridge is not fitted correctly, there is a risk of water leaking out of the appliance.

When fitting the filter cartridge, be sure to turn it as far as the marker.

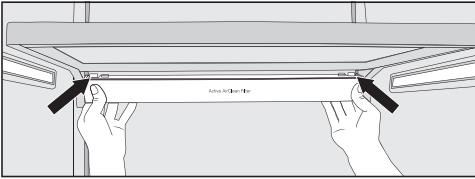
Once the IntensiveClear mesh filter has been cleaned, the water filter display  must be reset via the Settings mode  in the display (see "Selecting further settings - Resetting the Water filter display ").

Replacing the Active AirClean filters

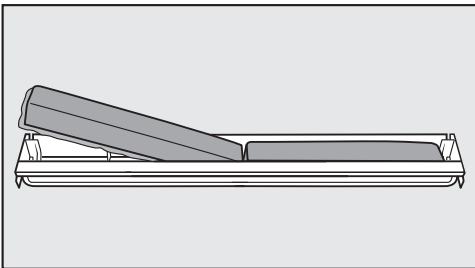
The Active AirClean filters in the refrigerator section need to be replaced approx. every 6 months.

Change Active AirClean filter appears in the display.

- Confirm the message with *OK*.






- To remove the holder for the Active AirClean filters, press against the retainers on both sides of the holder from the rear and pull the holder downwards diagonally from the frame.



- Remove the used Active AirClean filters and place the new Active AirClean filters with the surrounding edge pointing downwards in the holder.
- To refit the holder, press against the retainers on both sides of the holder from the rear and clamp it into the gap on the frame from below.

The holder can be fixed under any shelf in the refrigerator section.

Once the Active AirClean filters have been replaced, the Active AirClean filter display  must be reset via the Settings mode  in the display (see "Selecting further settings - Resetting the Display Active AirClean filter ").

New Active AirClean filters (both with and without a holder) can be obtained from Miele directly or via the Miele website.

Cleaning and care

After cleaning

- Refit all shelves and accessories in the refrigerator zone.
- Switch the appliance on again.
- Place the food back in the refrigerator zone and close the doors.
- Switch the SuperFreeze ❄️ function on for a while so that the freezer zone can cool down quickly.
- Place the freezer baskets with the frozen food back in the freezer as soon as the temperature in the freezer is low enough.
- Switch the SuperFreeze ❄️ function off as soon as the temperature in the freezer is a constant $-18\text{ }^{\circ}\text{C}$ or colder.

The refrigeration appliance is supplied with a water filter (IntensiveClear mesh filter) that filters mains water for making ice cubes.

The IntensiveClear mesh filter filters suspended particles from the mains water – not bacteria or microbes.

The water filter does not need to be replaced. However, to ensure the highest quality of the ice cubes, it is essential to clean the water filter regularly.

After inserting a new water filter, dispose of all ice cubes produced in the next 24 hours following the change.

Depending on the quantity of ice cubes produced, the IntensiveClear mesh filter must be cleaned approx. every 6 months.

Clean the water filter appears in the display.

- Clean the IntensiveClear mesh filter (see “Cleaning and care - Cleaning the water filter (IntensiveClear mesh filter)”).

Problem solving guide

Many malfunctions and minor faults that can occur in daily operation can be corrected without contacting Miele. This will save you time and money because you will not need a service call.

You can find information on how to remedy faults yourself at www.miele.com.au/service or www.miele.co.nz/service and on the Miele website.

Please note, however, that a call-out charge will be applied to unnecessary service visits where the problem could have been rectified as described in these operating instructions.

To prevent cold from escaping, avoid opening the appliance door until the fault has been corrected.

Problem	Possible cause and remedy
<p>If you feel that your refrigeration appliance is not working properly, you can perform a Self test. Your appliance will be checked for any faults or malfunctions.</p>	<p>Any errors identified during the Self test are shown in the display.</p> <ul style="list-style-type: none"> ■ Perform the Self test (see “Selecting further settings - Carrying out a Self test <input checked="" type="checkbox"/>”). ■ If necessary, contact customer service and inform them of the error message(s) in the display.
<p>The refrigeration appliance is not getting cold and the interior lighting does not come on when the appliance door is opened.</p>	<p>The appliance is not switched on.</p> <ul style="list-style-type: none"> ■ Switch the appliance on. The temperature appears in the display. <p>The plug is not properly inserted into the socket or the socket is not switched on.</p> <ul style="list-style-type: none"> ■ Insert the plug into the socket correctly and switch on. <p>The mains circuit breaker has tripped. There could be a fault with the appliance, the household electrical wiring or another electrical appliance.</p> <ul style="list-style-type: none"> ■ Contact a qualified electrician or Miele.


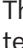
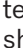



Problem solving guide

Problem	Possible cause and remedy
<p>The compressor is switching on more frequently and runs for longer periods of time, and the temperature in the appliance is too low.</p>	<p>The ventilation gaps in the housing unit are covered or have become too dusty.</p> <ul style="list-style-type: none"> ■ Do not block the ventilation gaps. ■ Clean the dust from the ventilation gaps on a regular basis.
	<p>The doors have been opened too frequently, or a large amount of fresh food has been put in at once for refrigerating or freezing.</p> <ul style="list-style-type: none"> ■ Only open the doors when necessary and for as short a time as possible. <p>After a while the temperature will return to normal by itself.</p>
	<p>The appliance doors are not closed properly. A thick layer of ice may have formed in the freezer.</p> <ul style="list-style-type: none"> ■ Close the appliance doors. <p>After a while the temperature will return to normal by itself.</p> <p>If a thick layer of ice has formed, it will decrease the cooling performance and increase the energy consumption.</p> <ul style="list-style-type: none"> ■ Defrost the appliance and clean it.
	<p>The ambient room temperature is too high. The higher the room temperature, the longer the compressor will run.</p> <ul style="list-style-type: none"> ■ See “Installation - Location”.
	<p>The appliance was not properly installed in the niche.</p> <ul style="list-style-type: none"> ■ See “Installation - Installing the appliance”.

Problem solving guide

Problem	Possible cause and remedy
<p>The compressor is switching on more frequently and runs for longer periods of time, and the temperature in the appliance is too low.</p>	<p>The temperature setting is too low. ■ Correct the temperature setting.</p>
	<p>A large amount of food was placed in the freezer at once. ■ See “Freezing and storing food”.</p>
	<p>The SuperCool function is still switched on. ■ To save energy, you can switch SuperCool off early yourself.</p>
	<p>The SuperFreeze function is still switched on. ■ To save energy, you can switch SuperFreeze off early yourself.</p>
<p>The compressor comes on less and less often and for shorter periods of time. The temperature in the appliance rises.</p>	<p>This is not a fault. The temperature setting is too high. ■ Correct the temperature setting. ■ Check the temperature again after 24 hours.</p>
	<p>The frozen food begins to defrost. The ambient temperature is too low for this refrigeration appliance. If the ambient temperature is too low, the compressor will run less frequently. This may cause the freezer to become too warm. ■ See the information in "Installation - Installation location". ■ Increase the ambient temperature.</p>
<p>The compressor runs continuously.</p>	<p>This is not a fault. To save energy, the compressor runs at a lower speed when less cooling is required. This increases the running time of the compressor.</p>
<p>Food has frozen together.</p>	<p>The food packaging was not dry when loaded in the freezer. ■ Use a blunt instrument, e.g. a spoon handle or plastic scraper, to prise it apart carefully.</p>
<p>An alarm sounds.</p>	<p>An appliance door has been open for longer than approx. 2 minutes. ■ Close the appliance doors.</p>




Problem solving guide

Problem	Possible cause and remedy
<p>No alarm sounds despite an appliance door being open.</p>	<p>You have deactivated the alarm.</p> <ul style="list-style-type: none"> ■ Switch the alarm back on via the Settings mode . <p>The Sabbath mode  function is switched on: The temperature display is dark and the  symbol is shown in the display.</p> <ul style="list-style-type: none"> ■ You can switch off Sabbath mode at any time (see "Selecting further settings - Switching Sabbath mode  on and off").
<p>The door of the appliance cannot be opened.</p>	<p>The Pull2open Door assistant is switched on but the appliance has a handle-free furniture front.</p> <ul style="list-style-type: none"> ■ With handle-free furniture fronts, switch on the Push2open Door assistant (see "Selecting further settings - Switching on the Door assistant ").
<p>The appliance door cannot be opened when Sabbath mode  is switched on.</p>	<p>The Push2open Door assistant is switched on at the same time as Sabbath mode.</p> <ul style="list-style-type: none"> ■ When Sabbath mode is switched on, the Door assistant is deactivated. ■ Pull the door open from the bottom or from the side.
<p>The left fridge zone door will not open.</p>	<p>The Push2open Door assistant is switched on but only the right fridge zone door can be controlled with the Door assistant.</p> <ul style="list-style-type: none"> ■ This is not a fault. If the Push2open function is activated with handle-free furniture fronts, the right fridge zone door must be opened first before the left door can be opened.
<p>The shelf life of the food stored in the dry compartment of the MasterFresh zone is reduced.</p>	<p>The temperature in the dry compartment of the MasterFresh zone may be too high. The temperature in the dry compartment is controlled by the temperature set for the refrigerator zone.</p> <ul style="list-style-type: none"> ■ Lower the temperature in the refrigerator zone (see "The correct temperature - Setting the temperature"). ■ Set the temperature regulator for the dry compartment to the "colder" setting (see "The correct temperature - Setting the temperature").






Problem solving guide

Problem	Possible cause and remedy
There is condensation on the door pillar between the fridge zone doors or on the door seals.	<p>The combination of high air humidity and low ambient temperature can result in condensation forming on the door pillar between the fridge zone doors or on the door seals.</p> <ul style="list-style-type: none">■ Ensure lower humidity or a higher temperature in the room.■ Switch the Condensation protection on (see “Selecting further settings - Switching Condensation protection ΔΔ on and off”).
The left fridge zone door and the door pillar feel warm.	<p>This is not a fault. The left-hand appliance door has integrated heating. Switching the heating on prevents condensation on the door pillar and on the door seals.</p> <ul style="list-style-type: none">■ You can switch the heating off if necessary (see “Selecting further settings - Switching Condensation protection ΔΔ on and off”).

Messages in the display

Message	Possible cause and remedy
<p>The alarm sounds and the message Freezer temperature too high. Max. temperature °C appears in the display.</p>	<p>The temperature in the freezer has risen significantly. This could be due to, for example:</p> <ul style="list-style-type: none"> – the freezer door being opened too often, or being left open – a large amount of food being frozen at once – an interruption to the power supply. <p>■ If you find the alarm disruptive, you can switch it off early by touching the <i>OK</i> sensor.</p> <p>The alarm will stop.</p> <p>■ Rectify the cause of the alarm.</p> <p>The message will disappear from the display and the alarm will stop.</p> <p>The temperature display will show the highest temperature that was reached in the freezer zone.</p> <p>■ Depending on the temperature displayed, you should check whether food in the freezer has started to thaw or has defrosted. Defrosted food may only be refrozen after it has been cooked.</p> <p>■ In the event of a power cut, check whether there are any ice cubes in the ice cube container and dispose of these. Otherwise, the ice cubes will freeze together and can damage the ice cube container when they expand.</p>
<p>The alarm sounds and the message Close the door appears in the display.</p>	<p>The appliance door is open.</p> <ul style="list-style-type: none"> ■ Close the appliance door. ■ If you want to switch the alarm off early, touch the <i>OK</i> sensor in the display. <p>The alarm will stop.</p>
<p>The temperature display is dark and the  symbol lights up in the display.</p>	<p>Sabbath mode  is switched on. The interior lighting is switched off and the refrigeration appliance is cooling.</p> <p>■ You can switch off Sabbath mode at any time (see “Selecting further settings - Switching Sabbath mode  on and off”).</p>

Problem solving guide

Message	Possible cause and remedy
F Please call Miele Service appears in the display and an alarm sounds.	<p>There is a fault.</p> <ul style="list-style-type: none"> ■ Make a note of the fault message if necessary. ■ Call Miele. ■ To switch the alarm off, touch the  symbol. <p>The fault message will not disappear from the display until the fault has been rectified.</p>
The  symbol lights up in the display. The refrigeration appliance does not get cold, but the appliance controls are working.	<p>Demo mode  is switched on. Demo mode allows the appliance to be presented in a showroom without the cooling system being switched on. Do not activate this setting for domestic use.</p> <ul style="list-style-type: none"> ■ Switch off Demo mode  (see “Selecting further settings - Switching off Demo mode ”).

Problems with the ice cube maker

Problem	Possible cause and remedy
The ice cube maker is not producing any ice cubes.	<p>The refrigeration appliance or the ice cube maker are not switched on.</p> <ul style="list-style-type: none"> ■ Switch on the appliance and the ice cube maker. ■ Check whether the water filter is inserted correctly.
	<p>The mains water connection has not been installed.</p> <ul style="list-style-type: none"> ■ Make sure that the mains water connection is installed correctly.
	<p>The tap is not open or has not been vented.</p> <ul style="list-style-type: none"> ■ Open the tap. ■ Check whether the water supply has been vented.
	<p>There is a kink in the water hose.</p> <ul style="list-style-type: none"> ■ Check the water hose and replace it if necessary.
	<p>The temperature in the freezer zone is too high.</p> <ul style="list-style-type: none"> ■ Select a lower temperature.
	<p>The freezer door has been opened too frequently, causing the compressor to turn on more often and the ice cube maker has iced up.</p> <ul style="list-style-type: none"> ■ Only open the door when necessary and for as short a time as possible.
	<p>The water connection pressure is too low.</p>





Problem solving guide

Problem	Possible cause and remedy
	<ul style="list-style-type: none"> ■ Check that the water connection pressure is between 200 kPa and 800 kPa (2 bar and 8 bar). ■ Check if an incorrect valve has been installed, making the pressure too low. <p>Remember that it can take up to 10 hours for the appliance to produce the first ice cubes.</p>
<p>The ice cube maker is only producing small ice cubes.</p>	<p>Several household appliances connected to the mains water connection are in operation. This has reduced the amount of water being taken in.</p> <ul style="list-style-type: none"> ■ Avoid using the dishwasher, washing machine, etc. at the same time.
	<p>The water filter is clogged.</p> <ul style="list-style-type: none"> ■ Check whether the water filter needs to be cleaned.
	<p>The water connection pressure is too low.</p> <ul style="list-style-type: none"> ■ Check that the water connection pressure is between 200 kPa and 800 kPa (2 bar and 8 bar). ■ Check if an incorrect valve has been installed.
<p>The ice cube maker is producing only a few or deformed ice cubes.</p>	<p>The water filter is clogged.</p> <ul style="list-style-type: none"> ■ Check whether the water filter needs to be cleaned.
	<p>The water connection pressure is too low.</p> <ul style="list-style-type: none"> ■ Check that the water connection pressure is between 200 kPa and 800 kPa (2 bar and 8 bar).
	<p>The temperature in the freezer zone is too high.</p> <ul style="list-style-type: none"> ■ Select a lower temperature.

Problem solving guide

Problem	Possible cause and remedy
<p>The ice cubes taste or smell odd.</p>	<p>The ice cube container is in constant use and needs to be cleaned regularly.</p> <ul style="list-style-type: none"> ■ Check if the ice cube container is dirty and clean it if necessary.
	<p>The ice cube maker is rarely used. Ice cubes that are stored for a long time can absorb the taste and smell of other items.</p> <ul style="list-style-type: none"> ■ Empty and clean the ice cube container if you are not going to use it for a long time.
	<p>Unwrapped food is stored in the freezer zone. Ice can absorb the taste and smell of unwrapped food.</p> <ul style="list-style-type: none"> ■ Only store packaged food in the freezer zone.
	<p>The water filter is dirty.</p> <ul style="list-style-type: none"> ■ Check whether the water filter needs to be cleaned.
<p>Water is flowing out of the appliance.</p>	<p>The water intake is faulty.</p> <ul style="list-style-type: none"> ■ Close the tap immediately. ■ Check the water pipe for damage. ■ Call Miele immediately. ■ Check whether the water pressure is too high.
	<p>If the water pressure is too high, this can cause leaks (see “Installation - Water connection”).</p> <ul style="list-style-type: none"> ■ Check whether the water pressure is between 200 kPa and 800 kPa (2 bar and 8 bar). ■ Check if an incorrect valve has been installed.

The interior lighting is not working

Problem	Possible cause and remedy
<p>The interior lighting is not working.</p>	<p>The appliance is not switched on.</p> <ul style="list-style-type: none"> ■ Switch the appliance on.
	<p>The Sabbath mode function is switched on: The temperature display is dark and the  symbol lights up in the display.</p> <ul style="list-style-type: none"> ■ You can switch off Sabbath mode at any time via the Settings mode .
	<p>There is a fault.</p> <div style="border: 1px solid gray; padding: 10px;"> <p> Risk of electric shock due to exposed, live electrical components!</p> <p>When removing the lighting cover, there is a risk of coming into contact with live electrical components.</p> <p>Do not remove the lighting cover. The LED lighting must only be repaired or replaced by a qualified technician.</p> </div>
	<div style="border: 1px solid gray; padding: 10px;"> <p> Danger of injury from LED lighting.</p> <p>This lighting corresponds to risk group RG 2. If the cover is defective, there is a risk of eye injury.</p> <p>If the lighting cover is defective, do not look from a close range directly into the lighting with optical instruments (e.g. magnifying glass or similar).</p> </div> <ul style="list-style-type: none"> ■ Call Miele.

Noises

Normal noises	What causes them
Brrrrr ...	A humming noise is made by the compressor. This noise can get louder for brief periods when the compressor switches on.
Blubb, blubb ...	A gurgling noise can be heard when coolant is circulating through the pipes.
Click ...	Clicking sounds occur whenever the thermostat switches the compressor on or off.
Sssrrrrr ...	You can sometimes just hear the sound of the fan inside the appliance.
Crack ...	A cracking sound can be heard when materials expand inside the appliance.
Please bear in mind that the noise of the compressor and the coolant circulating in the system is unavoidable.	

Noises	Possible cause and remedy
Rattling, vibrating, clinking	The refrigeration appliance is uneven. Realign the appliance using a spirit level. Do so by raising or lowering the adjustable feet underneath the refrigeration appliance.
	The refrigeration appliance is touching another appliance or piece of furniture. Move it away.
	Drawers, baskets or shelves are jiggling or are stuck. Check all removable items and refit them correctly.
	Bottles or containers are touching. Separate them.

You can find information on how to remedy faults yourself and about Miele spare parts at www.miele.com.au/service or www.miele.co.nz/service.

Contact in case of fault

In the event of a fault which you cannot remedy yourself, please contact Miele.

You can book a Miele customer service call-out online at www.miele.com.au/service or www.miele.co.nz/service.

Contact information for Miele can be found at the end of this booklet.

Please quote the model and serial number of your appliance when contacting Miele. Both of these can be found on the data plate inside the refrigeration appliance or, depending on the model, in the settings mode under information **i**.

The data plate is located inside the refrigeration appliance.

Warranty

The manufacturer's warranty for this appliance is 2 years.

For further information, please refer to your warranty booklet.

Copyright and licences

For the purpose of operating and controlling the appliance, Miele uses proprietary or third-party software that is not covered by open source licensing terms. These items of software/software components are protected by copyright. The copyright powers of Miele and third parties must be respected.

In addition, the appliance contains software components which are distributed under open source licensing terms. You can view these open source components along with the associated copyright notices, copies of the valid licensing terms and any further information in the document "Open Source Information and Licenses". The liability and warranty arrangements for the open source licences displayed at this location only apply in relation to the respective rights holders.

The appliance contains, in particular, software components which are licensed by the rights holders under the GNU General Public License, version 2, or the GNU Lesser General Public License, version 2.1. For a period of at least 3 years following the purchase or delivery of the appliance, Miele shall provide you or third parties with a machine-readable copy of the source code for the open source components contained in the appliance, which are licensed under the terms of the GNU General Public License, version 2, or the GNU Lesser General Public License, version 2.1. The source code shall be made available on a data carrier (CD-ROM, DVD or USB stick). To obtain this source code, please contact us, specifying the product name, serial number and purchase date, by sending us an e-mail (info@miele.com) or writing to the following address:

Miele & Cie. KG
Open Source
GTZ/TIM
Carl-Miele-Straße 29
33332 Gütersloh, Germany

We wish to draw your attention to the limited warranty for the benefit of rights owners under the terms of the GNU General Public License, version 2, and the GNU Lesser General Public License, version 2.1:

This program is distributed in the hope that it will be useful, but WITHOUT ANY WARRANTY, without even the implied warranty of MERCHANTABILITY of FITNESS FOR A PARTICULAR PURPOSE. See the GNU General Public License and GNU Lesser General Public License for more details.

Miele Australia Pty. Ltd.

ACN 005 635 398

ABN 96 005 635 398

Level 4, 141 Camberwell Road
Hawthorn East, VIC 3123

1300 464 353 (1300 4 MIELE)

info@miele.com.au

www.miele.com.au

Miele New Zealand Limited

IRD 98 463 631

8 College Hill
Freemans Bay, Auckland 1011

0800 464 353 (0800 4 MIELE)

customercare@miele.co.nz

www.miele.co.nz

Miele Global Headquarters

Germany

Miele & Cie. KG

Carl-Miele-Straße 29

33332 Gütersloh

Federal Republic of Germany

KF 2981 Vi

en-AU, NZ

M.-Nr. 11 618 771 / 00