

Operating and installation instructions Rangehood



To prevent the risk of accidents or damage to the appliance, it is **essential** to read these instructions before it is installed and used for the first time.

Contents

Warning and Safety instructions	4
Caring for the environment	11
Guide to the appliance	12
Description of the functions	14
Operation	15
Switching the fan on/off	15
Switching the fan off	15
Switching the cooktop lighting on/off	15
Energy saving tips	16
Cleaning and care	17
Housing	17
Important for appliances with lacquered casing	17
Grease filters	18
Change grease filters	19
NoSmell active charcoal filter	20
Disposing of charcoal filters	20
Changing a lamp	21
Service	22
Contact in case of fault	22
Position of the data plate	22
Warranty	22
Installation	23
Before installation	23
Assembly parts	24
Appliance dimensions	26
Safety distance (S)	27
Installation recommendations	28
Protective foil	28
Deflector	28
Installation under a wall unit	30
Wall installation	32
For air extraction mode	34
For recirculation mode	35
Mains connection	35
Functional check	35
Electrical connection	36

Contents

Connection for air extraction	37
Non-return flap.....	37
Condensed water	38
Silencer	38
Technical data	39

Warning and Safety instructions

This rangehood complies with all relevant local and national safety requirements. However, inappropriate use can lead to personal injury and damage to property.

Read the operating and installation instructions carefully before using the rangehood. They contain important information on the safety, installation, use and maintenance of the appliance. This prevents both personal injury and damage to the rangehood.

In accordance with standard IEC 60335-1, Miele expressly and strongly advises that you read and follow the instructions in “Installation” and in the “Warning and Safety instructions”.

Miele cannot be held liable for injury or damage caused by non-compliance with these instructions.

Keep these instructions in a safe place and pass them on to any future owner.

Correct application

► This rangehood is designed for domestic use and for use in similar environments by guests in hotel or motel rooms, bed & breakfasts and other typical living quarters. This does not include common/shared facilities or commercial facilities within hotels, motels or bed & breakfasts.

► The appliance is not suitable for outdoor use.

► It must only be used to extract vapours and remove odours from cooking.

Any other usage is at the owner's risk. Miele cannot be held liable for damage resulting from incorrect or improper use or operation.

► The rangehood cannot be used to ventilate the room in which it is installed in recirculation mode above a gas cooktop. Please seek the advice of a qualified gas fitter for more information if necessary.

► This appliance is not intended for use by persons (including children) with reduced physical, sensory or mental capabilities, or lack of experience and knowledge, unless they have been given supervision or instruction concerning its use by a person responsible for their safety, and are able to recognise the dangers of misuse.

Safety with children

- ▶ Young children must not be allowed to use the rangehood.
- ▶ Older children may only use the rangehood if its operation has been clearly explained to them and they are able to use it safely. They must be able to understand and recognise the possible dangers caused by incorrect operation.
- ▶ Cleaning work may only be carried out by older children under the supervision of an adult.
- ▶ Children should be supervised near the appliance. Ensure that they do not play with the appliance.
- ▶ The cooktop lighting is very intense. Ensure, in particular, that babies/small children do not look directly at the light.
- ▶ Danger of suffocation! Whilst playing, children may become entangled in packaging material (such as plastic wrapping) or pull it over their head with the risk of suffocation. Keep packaging material away from children.

Technical safety

- ▶ Unauthorised installation, maintenance and repairs (including removal of any cover) can cause considerable danger for the user. Installation must be performed by a suitably qualified and competent person. Maintenance and repairs must only be carried out by a Miele authorised technician.
- ▶ A damaged appliance can be dangerous. Check it for visible signs of damage. Do not use a damaged appliance.
- ▶ The electrical safety of this appliance can only be guaranteed when continuity is complete between it and an effective earthing system. It is most important that this basic safety requirement is present and tested regularly and, where there is any doubt, the household wiring system should be inspected by a qualified electrician.
- ▶ The connection data (voltage and frequency) on the data plate of the rangehood must match the mains electricity supply in order to avoid the risk of damage to the rangehood. Compare this before connecting the appliance to the mains electricity. If in doubt, consult a qualified electrician.

Warning and Safety instructions

▶ Temporary or permanent operation with a self-sufficient or non-mains synchronous energy supply system (e.g. isolated networks, back-up systems) is possible. A requirement for the operation is that the energy supply system complies with all current local and national requirements that apply to stand-alone, solar and/or battery systems. The protective measures provided in the installation and in this Miele product must also be assured in their function and operation in isolated operation or in non-mains synchronous operation, or replaced with equivalent measures in the installation.

▶ Do not connect the appliance to the mains electricity supply by a multi-socket unit or an extension lead. Extension leads are a fire hazard and do not guarantee the required safety of the appliance.

▶ For safety reasons, this appliance may only be used after it has been built in.

▶ This rangehood must not be installed and operated in mobile installations (e.g. on a ship).

▶ Tampering with electrical connections or components and mechanical parts is highly dangerous to the user and can cause operational faults.

Only open the housing as described in the instructions given in the installation sheet and in the “Cleaning and care” section of this booklet. Under no circumstances should any other parts of the housing be opened.

▶ During installation, maintenance and repair work, the appliance must be disconnected from the mains electricity supply. It is only completely isolated from the electricity supply when:

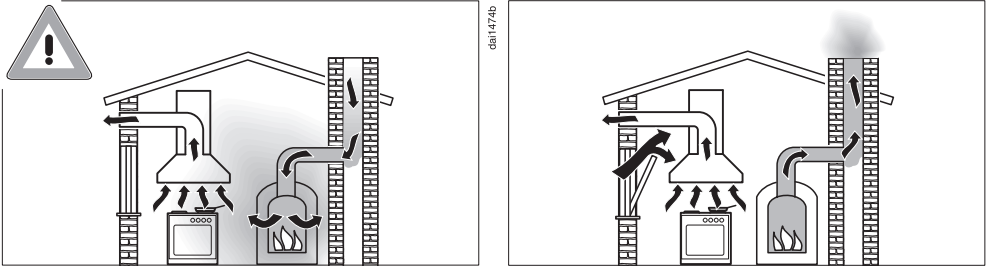
- the mains circuit breaker is switched off, or
- it is switched off at the wall socket and the plug is withdrawn from the socket. Do not pull the mains connection cable but the mains plug to disconnect your appliance from the mains electricity supply.

▶ The manufacturer's warranty will be invalidated if the appliance is not repaired by a Miele authorised service technician.

▶ If the mains connection cable is damaged, it must only be replaced by a Miele authorised service technician or suitably qualified and competent electrician in order to avoid a hazard.

Warning and Safety instructions

Using at the same time as other heating appliances that depend on the air from the room



Danger of toxic fumes!

Great care should be taken when using the rangehood in the same room or the same area of the house as another heating appliance that depends on the air from the room.

Such heating appliances draw in air from the room and duct exhaust gases out through a chimney or extraction ducting. They include gas, oil, wood and coal-fired boilers and heaters, continuous flow or other water heaters, gas cooktops and ovens.

The rangehood draws in air from the kitchen and from neighbouring rooms. This applies to the following modes of operation:

- extraction mode
- recirculation mode with a recirculation box installed outside the room.

If there is insufficient air, an underpressure will occur. The heating appliance may be starved of oxygen. This impairs combustion. Harmful gases could be drawn from the chimney or extraction ducting back into the room.

This could have potentially fatal consequences. Risk of death!

Warning and Safety instructions

In order to ensure safe operation and to prevent gases given off by a heating appliance from being drawn back into the room, when the rangehood and the heater are both operated simultaneously, an underpressure in the room of 0.04 mbar (4 Pa) is the maximum permissible.

Sufficient ventilation can be maintained by air inlets which cannot be blocked, e.g. in windows, doors and outside wall vents. The diameter of the inlet openings must enable sufficient ventilation. A ventilation brick alone is not generally sufficient to ensure safe ventilation.

The overall ventilation condition of the dwelling must be taken into account. If in any doubt, the advice of a competent builder or, for gas, a qualified gas fitter (registered with an official gas safety body in accordance with national safety regulations) must be sought.

If the rangehood is being operated in recirculation mode, whereby the air is redirected into the room in which it is installed, the above restrictions do not apply.

Correct use

▶ Open flames are a fire hazard!

Never use an open flame under the rangehood. To avoid the danger of fire, do not flambé or grill over an open flame. When switched on, the rangehood could draw flames into the filter. Kitchen grease deposits could ignite.

▶ The rangehood can become damaged when exposed to excessive heat.

- When using the rangehood over a gas cooktop, ensure that any burners in use are always covered by a pan. Switch the cooking zone off when a pan is removed, even for a short time.
- Select a pan which is suitable for the size of the burner.
- Regulate the flame so that it does not burn up the sides of the pan.
- Avoid overheating the pan (e.g. when cooking with a wok).

▶ Always switch the rangehood on when a cooking zone is in use, otherwise condensation may collect in the rangehood, which could cause corrosion.

Warning and Safety instructions

▶ Overheated oil and fat can ignite, causing fire damage to the rangehood.

When cooking with oil or fat, chip pans and deep fat fryers etc., do not leave the pans unattended. Similarly, never leave an open grill unattended when grilling.

▶ Do not use the rangehood without the filters in place. This way you will avoid the risk of grease and dirt getting into the appliance and hindering its smooth operation.

▶ The rangehood can get very hot during cooking due to heat rising from the cooktop.

Do not touch the housing or the grease filters until the rangehood has cooled down.

▶ This rangehood is not suitable for placing objects on.

Correct installation

▶ To determine whether a rangehood may be operated above your cooking appliance, please refer to the information provided by the appliance's manufacturer.

▶ Safety regulations prohibit the fitting of a rangehood over solid fuel stoves.

▶ An insufficient safety distance between the stovetop and the rangehood can result in damage to the rangehood.

The minimum safety distances between the top of the cooktop and the bottom of the rangehood given in the "Installation" section of these instructions must be observed, unless the cooktop manufacturer states that a greater safety distance is required.

If more than one cooking appliance is fitted beneath the rangehood, and they have different minimum safety distances to the rangehood, select the greater distance.

▶ The information provided in "Installation" must be observed when installing the rangehood.

▶ There may be a risk of injury due to protruding parts and sharp edges.

Wear gloves that offer protection against cuts during assembly.

▶ All ducting, pipework and fittings must be of non-flammable material and comply with all relevant national and local building regulations.

Warning and Safety instructions

- ▶ The appliance must not be connected to a chimney or vent flue which is in current use for exhausting fumes from appliances burning gas or other fuels. Neither should it be connected to ducting which ventilates rooms with fireplaces.
- ▶ If exhaust air is to be extracted into a chimney or ventilation duct no longer used for other purposes, seek professional advice.

Cleaning and care

- ▶ There is a risk of fire if cleaning is not carried out as described in these operating instructions.
- ▶ Do not use a steam cleaning appliance to clean this appliance. The steam could reach electrical components and cause a short circuit.
- ▶ In areas which may be subject to infestation by cockroaches or other vermin, pay particular attention to keeping the machine and its surroundings in a clean condition at all times. Any damage which may be caused by cockroaches or other vermin will not be covered by the machine warranty.

Accessories and spare parts

- ▶ Use only genuine original Miele spare parts. If spare parts or accessories from other manufacturers are used, the warranty will be invalidated, and Miele cannot accept liability.
- ▶ Faulty components must only be replaced by genuine Miele spare parts. The manufacturer can only guarantee the safety of the appliance when Miele replacement parts are used.
- ▶ Miele will guarantee to supply functional spare parts for a minimum of 10 years and up to 15 years following the discontinuation of your appliance.

Disposal of the packing material

The transport and protective packaging has been selected from materials which are environmentally friendly for disposal, and can normally be recycled.

Recycling the packaging reduces the use of raw materials in the manufacturing process and also reduces the amount of waste in landfill sites.

Ensure that any plastic wrappings, bags etc. are disposed of safely and kept out of the reach of babies and young children. Danger of suffocation.

Only for Australia: Note for installer: Expanded polystyrene (EPS) packaging included. Please retain and dispose of EPS packaging responsibly. For further information, please contact Miele.

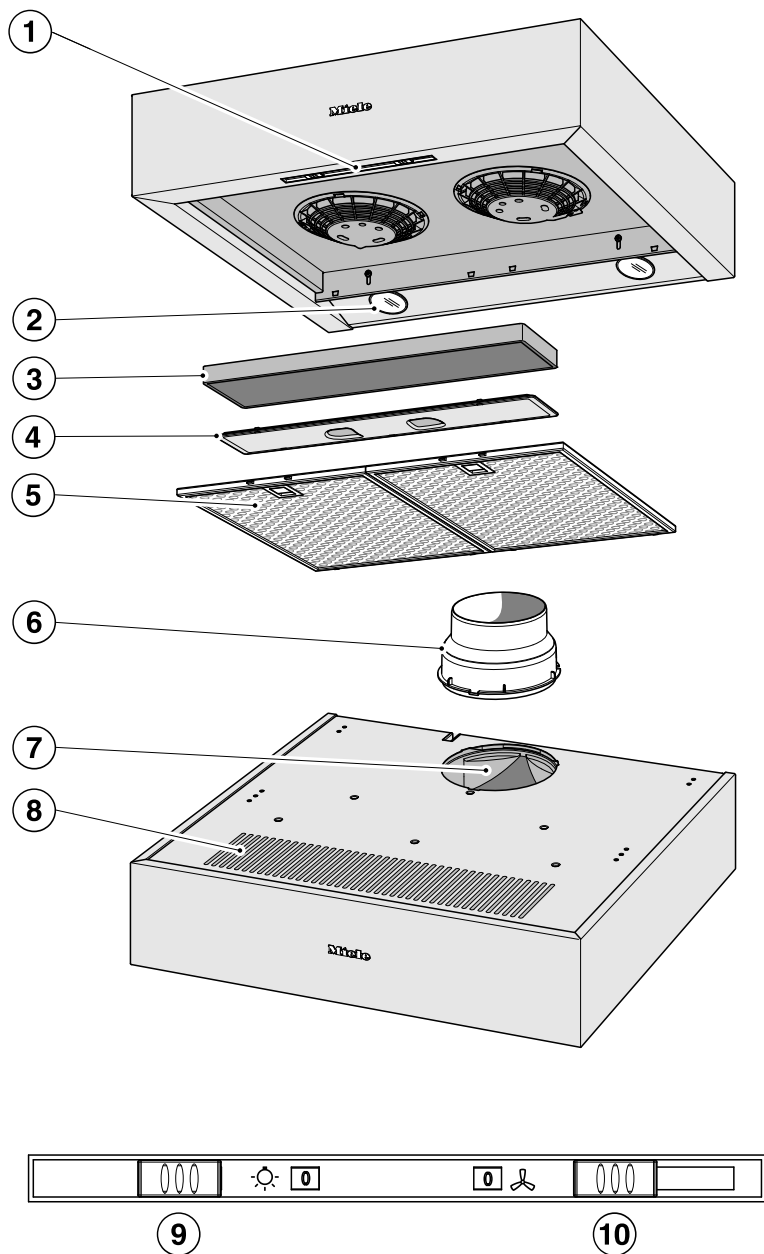
Disposing of your old appliance

Electrical and electronic appliances often contain valuable materials. They also contain specific materials, compounds and components, which were essential for their correct function and safety. These could be hazardous to human health and to the environment if disposed of with your domestic waste or if handled incorrectly. Please do not, therefore, dispose of your old appliance with your household waste.



Please dispose of it at your local community waste collection / recycling centre for electrical and electronic appliances. You are also responsible for deleting any personal data that may be stored on the appliance prior to disposal. Please ensure that your old appliance poses no risk to children while being stored prior to disposal.

Guide to the appliance



dai3736

- ① Control panel
- ② Cooktop lighting
- ③ Charcoal filter
Optional accessory for recirculation mode
- ④ Cover for the charcoal filter compartment
- ⑤ Grease filter
- ⑥ Exhaust connection
(Ø 150 mm, or Ø 125 mm with reducing collar).
- ⑦ Exhaust outlet
- ⑧ Recirculation grilles
- ⑨ Sliding switch for the cooktop lighting
- ⑩ Sliding switch for the fan

Description of the functions

Depending on the model of the rangehood, the following options are available:

Air extraction mode



clh0019x1a

The air is drawn in and cleaned by the grease filters and directed outside.

Recirculation mode

(available as an optional extra with a conversion kit and charcoal filter: see “Technical Data”)



clh0019x1b

The air is drawn in and cleaned first by the grease filters and then by a charcoal filter. The cleaned air is then recirculated back into the kitchen.


Switching the fan on/off

Switch the fan on as soon as you start cooking. This is to ensure that vapours are captured right from the start.

Select power levels **1** to **3** for light to heavy cooking vapours, odours or build-up of heat.

Increase the power level as the level of vapours, odours or heat increases.

For short periods of cooking food with intensive vapours, odours or heat, e.g. when searing meat, select the Booster setting **B**.

- Switch the fan on with the fan switch  and select the power level you want.

Switching back the Booster setting

The fan power level is reduced after 5 minutes when the Booster setting **B** is selected.


Switching the fan off

It is advisable to run the fan for a few minutes after cooking has finished to neutralise any lingering vapours and odours in the air.

- To switch off, move the fan switch to **0**.

Switching the cooktop lighting on/off


The cooktop lighting can be switched on and off independently of the fan.

- Use the lighting switch  to switch the cooktop lighting on (**1**) or off (**0**).

Energy saving tips

This rangehood operates very efficiently and economically. The following will help you to save even more energy when using it:

- Ensure that there is sufficient ventilation in the kitchen when cooking. In extraction mode, if there is insufficient air flow the rangehood cannot operate efficiently and this causes increased operating noise levels.
- Always cook with the lowest possible setting. This produces fewer cooking vapours, so you can use a lower rangehood power level and therefore benefit from reduced energy consumption.
- Check the power level selected on the rangehood. A lower power level is generally sufficient for the majority of cooking. Only use the Booster setting when necessary.
- When a large volume of cooking vapours are being produced, switch to a high power level in good time. This is more efficient than operating the rangehood for longer to try to capture cooking vapours which have already been distributed throughout the kitchen.
- Make sure that you switch the rangehood off after use.
- Clean or change the filters at regular intervals. Heavily soiled filters reduce performance, increase the risk of fire and are unhygienic.

 Before carrying out any maintenance or cleaning, the rangehood must be disconnected from the electricity supply (see “Warning and Safety instructions”).


Housing

General information

Unsuitable cleaning agents can damage the surfaces and control elements.

Do not use any cleaning agents containing soda, acid, chloride, or solvent.

Do not use any abrasive cleaning agents, e.g. powder cleaners or cream cleaners and abrasive sponges, or pot scourers or sponges which have been used previously with abrasive cleaning agents.

 Moisture in the rangehood can cause damage.
Make sure that water does not get into the rangehood.

- Clean all surfaces and control elements using a small amount of warm water and dishwashing liquid. Apply with a soft sponge.
- After cleaning, wipe the surfaces dry using a soft cloth.

Important information for appliances with stainless steel surfaces

This information does not apply to the control elements.

Stainless steel surfaces can be cleaned with a non-abrasive cleaning agent designed specifically for use on stainless steel.

To prevent the surfaces from quickly becoming dirty again, we recommend treating them with a stainless steel care product (available from Miele).

Important for appliances with lacquered casing

Minor scratches on the surface are inevitable when cleaning the casing; they may be visible depending on the lighting in the kitchen.

Cleaning and care

Important information for the control elements

If soiling is not removed promptly, it could cause the control elements to alter or discolor.
Remove any soiling immediately.

The surface of the control elements can be damaged if they are cleaned using stainless steel cleaning agents.
Do not use stainless steel cleaning agents on the control elements.

Grease filters

⚠ Fire hazard!
Oversaturated grease filters are a fire hazard.
Clean the grease filters at regular intervals.

The re-usable metal grease filters in the appliance remove solid particles (grease, dust, etc.) from the kitchen vapours, preventing soiling of the rangehood.

The grease filters must be cleaned at regular intervals.

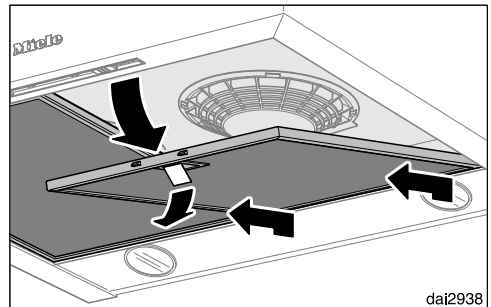
Heavily soiled grease filters hinder air extraction and will lead to increased levels of soiling in the rangehood and in the kitchen.

Grease filter cleaning intervals

Accumulated grease solidifies over a longer period of time and makes cleaning more difficult. The grease filters should therefore be cleaned every 3 to 4 weeks.

Removing the grease filter

⚠ When handling the grease filter, be careful not to drop it. This can result in damage to the filter and the cooktop below. Make sure you hold the filter securely at all times when handling it.



- To take out the grease filter, release the locking clip on the filter, lower the filter approx. 45°, unhook it at the back and remove it.

Cleaning the grease filters by hand

- Clean the filters with a soft nylon brush in a mild solution of hot water and a small amount of washing-up liquid. Do not use undiluted washing up liquid.


Unsuitable cleaning agents

Unsuitable cleaning agents can cause damage to the surface of the filters if used regularly.

Do not use:

- cleaning agents containing descaling agents,
- powder cleaners or cream cleaners,
- aggressive all-purpose cleaning agents or spray cleaners for grease,
- oven sprays.

Cleaning the grease filters in the dishwasher

 Risk of damage due to excessively high temperatures in the dishwasher.

Excessively high temperatures may cause the grease filters to become unusable, if they become deformed, for example.

Select a programme that does not exceed the recommended temperature.

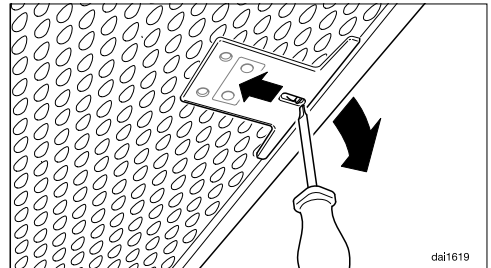
Also follow the information provided in the operating instructions for the dishwasher.

- Place the grease filters upright or slightly inclined in the lower basket. Ensure the spray arm is not obstructed.
- Use a standard household cleaning detergent.
- Select a programme with a maximum wash temperature of 65 °C.

Depending on the detergent used, the internal filter surfaces may become discoloured. This will not affect the functioning of the grease filters in any way.

After cleaning

- After cleaning, leave the filters to dry on an absorbent surface before refitting them.
- When removing the filters for cleaning, also clean off any residues of oil or fat from the now accessible housing to prevent the risk of these catching fire.
- Refit the grease filters. When inserting the grease filters, make sure that the latch faces outwards.



- If a grease filter is inadvertently fitted upside down, insert a small screwdriver blade into the slit to disengage the clip.

Change grease filters

Regular use and cleaning can cause the filter surfaces to wear.

If you notice any damage, replace the grease filters.

You can obtain grease filters from Miele customer service (see end of these operating instructions) or from your Miele specialist dealer.

Cleaning and care

NoSmell active charcoal filter

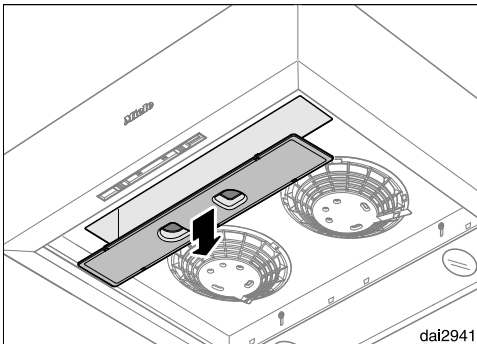
With recirculation mode, a charcoal filter must be fitted in addition to the grease filters. The charcoal filter is designed to absorb cooking odours.

The charcoal filter is fitted in the canopy above the grease filters.

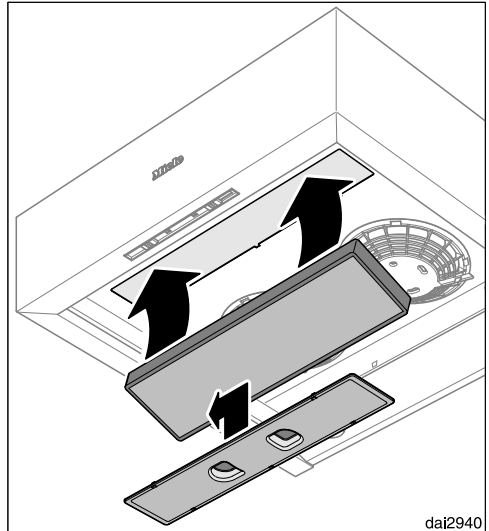
Charcoal filters are available to order via the Miele online shop (see the end of this booklet for contact details) or directly from Miele. The part number of the charcoal filter required is listed under "Technical data".

Fitting and replacing the charcoal filter

- Before fitting or replacing the charcoal filter, the grease filters must first be taken out (see previous section for instructions on how to do this).



- Push the cover for the charcoal filter duct slightly to the right and then lower it to remove.
- Unwrap the charcoal filter from its packaging.



- Place the charcoal filter in its duct and push it up against the recirculation grille.
- Refit the cover and the grease filters.

When to change the NoSmell active charcoal filter

- Replace the charcoal filter when it no longer absorbs kitchen odours effectively. It should be replaced at least every 6 months.

Disposing of charcoal filters

- Used charcoal filters can be disposed of with the normal household waste.


Changing a lamp

The lamps should be replaced with the following:

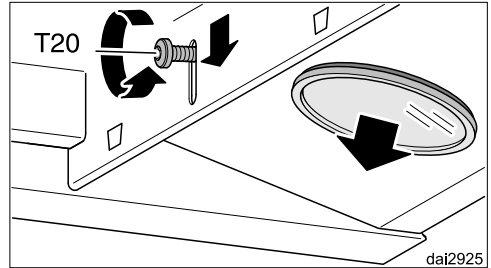
Manufacturer	EGLO
Lamp type	GU10
Specification	12981
Wattage	3 W
ILCOS D Code.....	DR-3-H-GU10-50/56

These lamps are available from Miele.

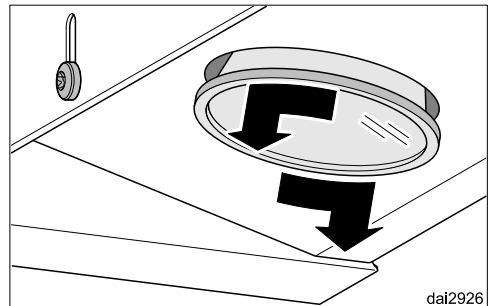
- Switch off the fan and the lighting.
- Remove the grease filters.
- Disconnect the rangehood from the mains electricity supply (see “Warning and Safety instructions”).

 The lamps can get very hot when in use.

Allow the lamps to cool down for a few minutes before changing them.



- Loosen the lamp's securing screw a little.
- Slide the screw and the lamp downwards.
- Then tighten the screw again.



- Turn the lamp anti-clockwise and pull it out.
- Screw the new lamp into the socket. Please follow the manufacturer's instructions.
- Slightly loosen the screw again, push the lamp upwards, and tighten the screw.
- Refit the grease filters.

Service

You can find information on how to remedy faults yourself and about Miele spare parts at www.miele.com.au/service or www.miele.co.nz/service.

Contact in case of fault

In the event of any faults which you cannot remedy yourself, please contact Miele.

You can book a Miele customer service call-out online at www.miele.com.au/service or www.miele.co.nz/service.

Contact information for Miele can be found at the end of this booklet.

Please quote the model and serial number of your appliance when contacting Miele. This information can be found on the data plate.

Position of the data plate


The data plate is visible after removing the grease filters.

Warranty

The manufacturer's warranty for this appliance is 2 years.

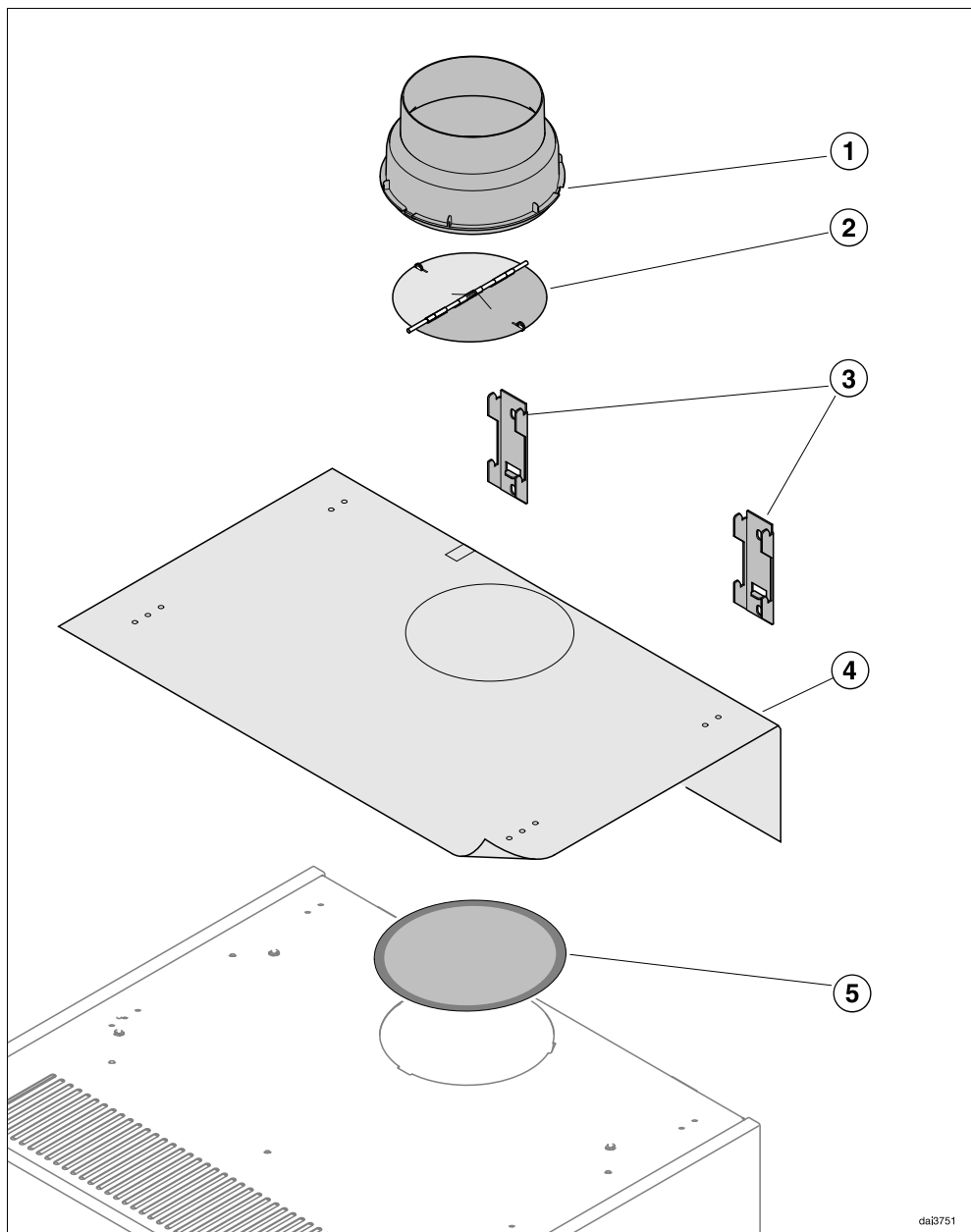
For further information, please refer to your warranty booklet.

Before installation

 Before installation, it is important to read the information given on the following pages as well as the “Warning and Safety instructions” at the beginning of this booklet.

Installation

Assembly parts




dai3751

- ① **1 exhaust connection**
for \varnothing 150 mm or \varnothing 125 mm exhaust ducting (not to be used with recirculation mode).
- ② **1 non-return flap**
for fitting into the exhaust socket (not to be used with recirculation mode).
- ③ **2 brackets**
for securing the rangehood to the wall (not required when installed underneath the wall unit).
- ④ **1 drilling template**
- ⑤ **1 cover foil**
for rear exhaust opening when using recirculation mode. The foil is included with the charcoal filter (optional accessory).



5x60mm-DIN9135

- 4 screws, 5 x 60 mm** and
4 plugs, 8 x 50 mm
for securing the wall bracket.

 The screws and plugs are designed for use in solid walls only. For other types of wall construction, alternative fixings will be required. Make sure the wall is able to take the weight of the rangehood.



91102030

- 4 self-tapping screws 4.2 x 30 mm**
for securing the rangehood to a wall unit (from above).



09879120

- 4 wood screws 4 x 30 mm**
for securing the rangehood to the wall unit (from below).

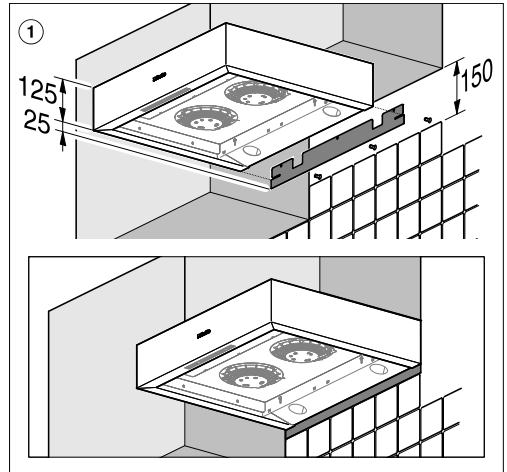
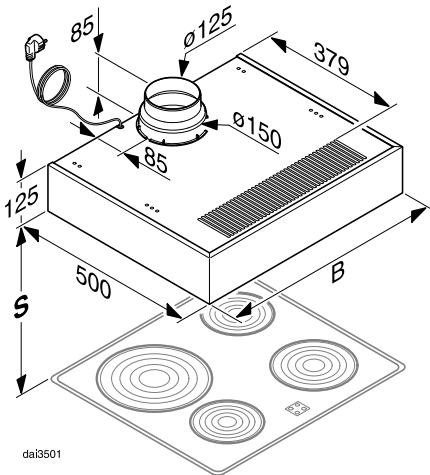


00040035

- 4 cover caps**

Installation

Appliance dimensions



DA 1255: B = 548 mm

DA 1260: B = 598 mm

DA 1200: B = 998 mm

Connection for air extraction \varnothing 150 mm, or \varnothing 125 mm with reducing collar.

- ① If the rangehood is replacing another rangehood which had a construction height of 150 mm, a spacer trim can be used to cover the building-in space left by the previous rangehood.

The spacer trim can be ordered as an accessory in various widths:

- Miele DAB 55 for DA 1255
- Miele DAB 60 for DA 1260
- Miele DAB 100 for DA 1200

Safety distance (S)

The minimum distances between the cooking surface of a cooktop (pan support(s) for gas models) and the bottom of the rangehood are as follows, unless a greater distance is specified by the manufacturer of your cooking appliance. See also “Warning and Safety instructions”.

Cooking appliance	Minimum distance S
Electric cooktop	600 mm (AU, NZ) 450 mm (HK, MY, SG, TH, TW)
Electric grill, deep fat fryer (electric)	650 mm
Multi-burner gas cooktop with maximum 45.4 MJ/h total output, with no burner having a greater output than 16.2 MJ/h.	650 mm
Multi-burner gas cooktop with total output greater than 45.4 MJ/h, but with a maximum of 77.8 MJ/h, with no burner having a greater output than 17.3 MJ/h.	760 mm
Multi-burner gas cooktop with total output greater than 77.8 MJ/h, with a single burner having a greater output than 17.3 MJ/h.	Not possible
Single burner gas cooktop with a maximum output of 21.6 MJ/h.	650 mm
Single burner gas cooktop with an output greater than 21.6 MJ/h, but with a maximum of 29.2 MJ/h.	760 mm
Single burner gas cooktop with an output greater than 29.2 MJ/h.	Not possible

Installation

Installation recommendations

- To achieve optimum vapour extraction, the rangehood must be positioned centrally over the cooktop, not to the side.
- The cooktop should be no wider than the rangehood and, if possible, it should be narrower, especially for safety distances greater than 750 mm.
- The installation area must be easily accessible. The rangehood should be easily accessible and easy to dismantle in the event that service is required. This should be taken into consideration when planning the position of cupboards, shelves, ceilings or features in the vicinity of the rangehood.

Protective foil

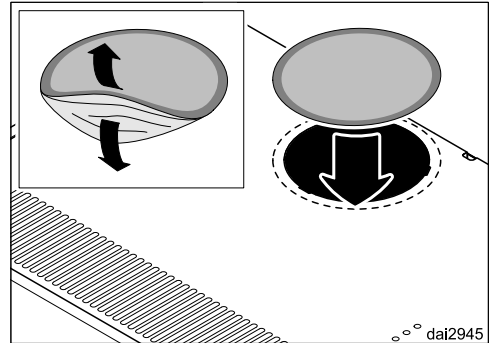
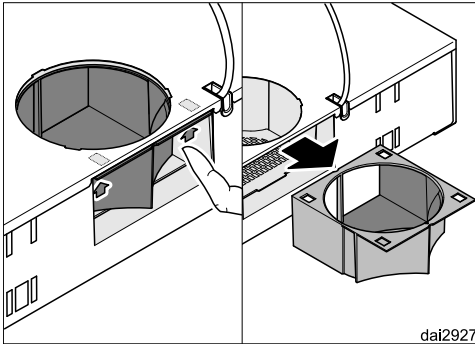
The housing components of stainless steel models have protective foil around them to protect them from transport damage.

- Please remove the grease filters from the appliance and remove this foil from the housing components and the frames of the grease filters before installing the rangehood. The foil can be peeled off easily.

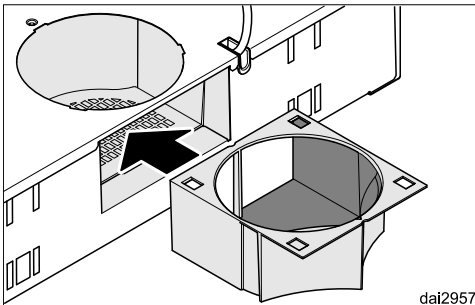
Deflector

A deflector is installed in the rear of the rangehood. Its position depends on the operating mode. With extraction the air is directed upwards and out of the housing at the back. With recirculation the opening is closed and the air is directed forwards through the recirculation grille.

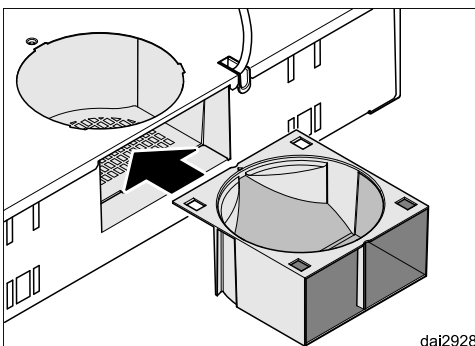
- Check the position of the deflector.



- For operation in recirculation mode, cover the opening at the back of the rangehood with the sticker supplied with the NoSmell active charcoal filter (optional accessory).



Extraction

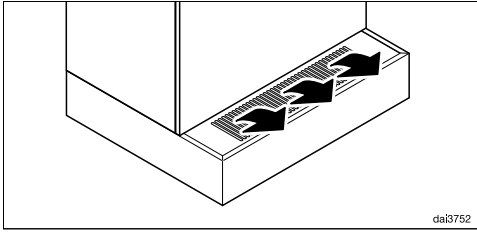


Recirculation

- Remove the deflector if necessary and turn it as appropriate for the operating mode required. To do this, press the two hooks, remove the deflector, turn it and push it back in until it clicks into position.

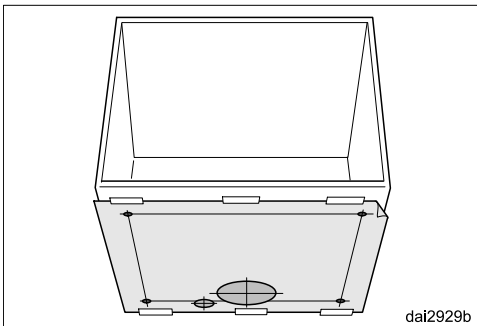
Installation

Installation under a wall unit




When selecting the installation position, ensure that the recirculation grille at the front of the appliance will not be covered by the wall unit.

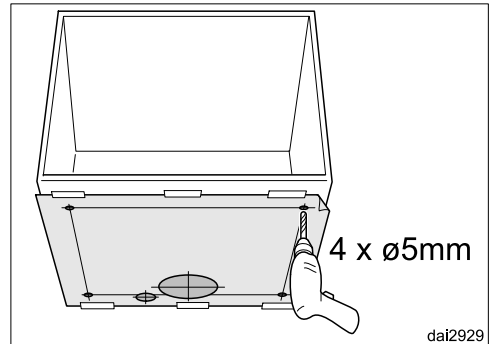
Cut-out for mains cable and extraction ducting



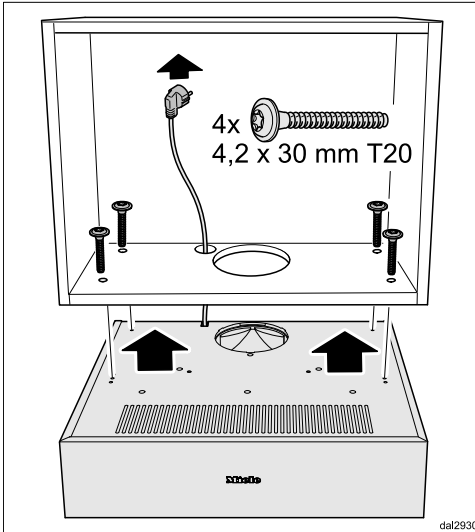
- Adhere the cut-out drilling template to the bottom of the cabinet.
- For extraction mode, make a cut-out of at least $\varnothing 170$ mm in the bottom of the unit.
- If the mains connection cable is to be fed through the wall unit, a hole will also need to be cut out in the bottom of the wall unit.

Securing from above

 Use only the fixing points as shown on the drilling template and the screws supplied. Incorrect fitting can lead to damage to the rangehood and could compromise electrical safety (e.g. electric shock).



- Use the drilling template to drill four $\varnothing 5$ mm fixing holes through the bottom of the cabinet.
- Remove the drilling template.



dal2930

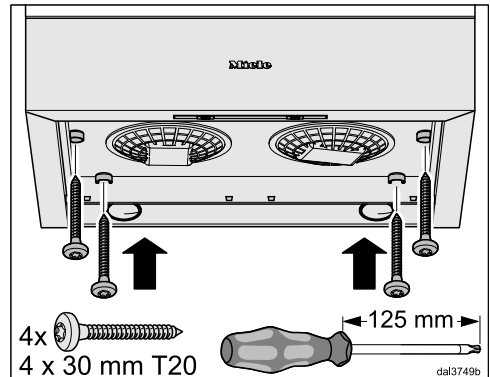
- Lift the rangehood up under the wall unit and feed the connection cable through the respective hole in the bottom of the wall unit.
- Use the self-tapping screws (supplied) to attach the rangehood from the inside of the cabinet.

Securing from below

Miele recommends securing from above as described above. Should it not be possible to do so, the rangehood can also be secured from below to the base of the unit.

The screws supplied are intended for securing the rangehood to a solid wooden cabinet floor with a minimum thickness of 16 mm. Ensure the floor can permanently support the weight of the appliance.

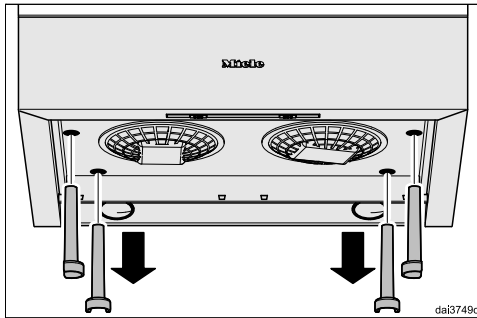
- Lift the rangehood underneath the wall unit.



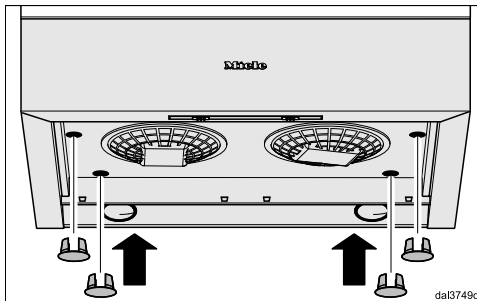
dal3749b

- Insert the wood screws (supplied) into the guide plugs and screw the rangehood to the base of the unit.

Installation



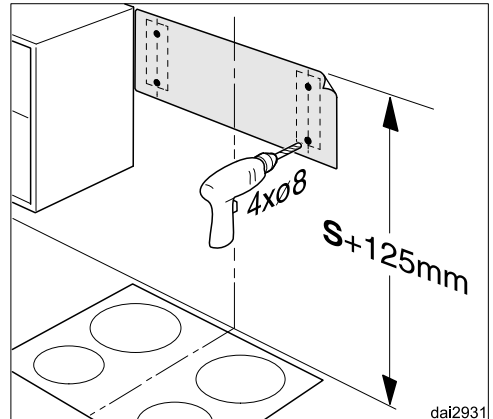
- Remove the guide plugs from the housing.



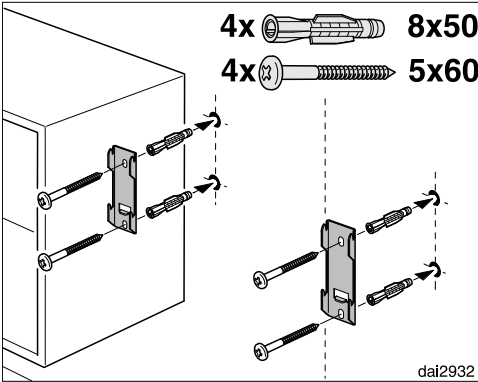
- Use the cover caps to close the holes (this also applies when securing the rangehood from above).
- Refit the grease filters.

Wall installation

You also have the option of fitting the rangehood to the wall using two mounting brackets.

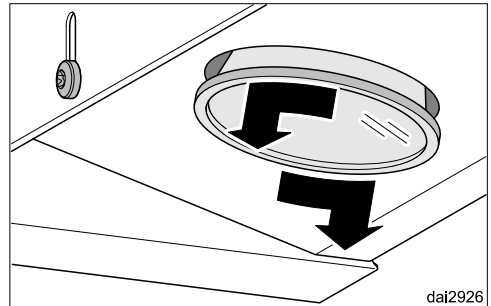
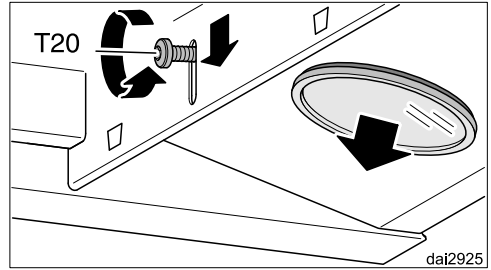


- Cut the drilling template to size and position against the wall. The top edge of the template indicates the top edge of the rangehood. Please refer to the safety distances (S) to the cooktop in "Installation".
- Mark and drill the four holes for the mounting brackets ($\varnothing 8$ mm).
- Remove the drilling template.



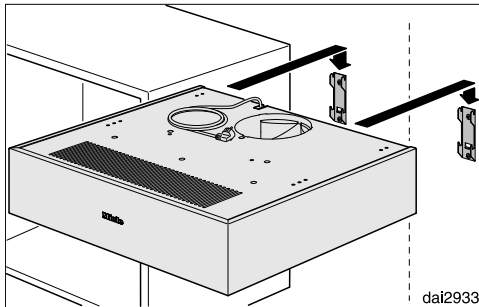
- Fix the mounting brackets to the wall using the plugs and screws supplied.

⚠ The screws and plugs are designed for use in solid walls only. For other types of wall construction, alternative fixings will be required. Make sure the wall is able to take the weight of the rangehood.

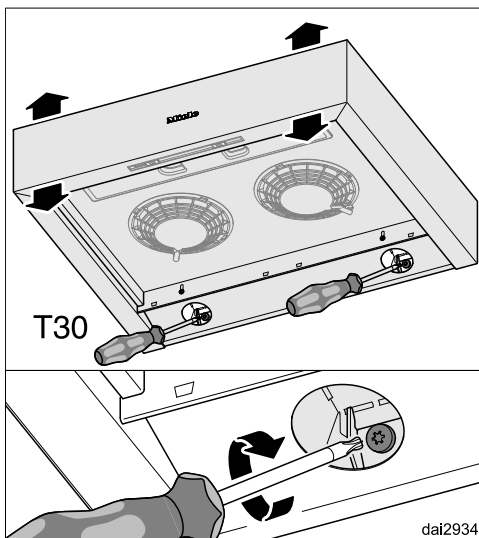


- Remove the lamps:
 - Loosen the halogen lamp's securing screw a little.
 - Slide the screw and the lamp downwards.
 - Then tighten the screw again.
 - Turn the lamp anti-clockwise and pull it out.

Installation

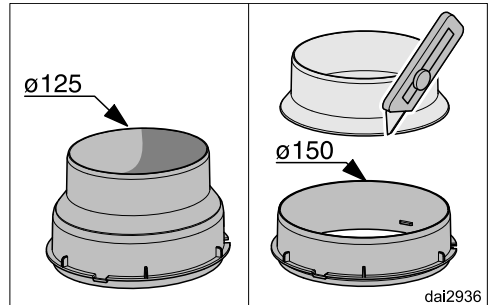


- Hang the rangehood on the brackets.

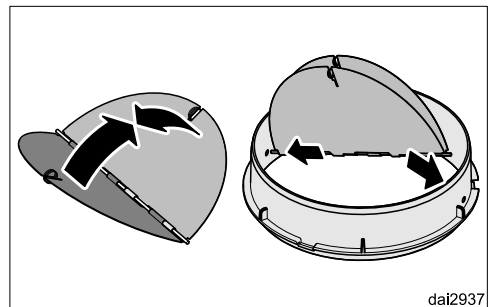


- Tighten the screws at the back of the rangehood on the left and right. This will adjust the pitch of the rangehood and secure it against being lifted off the mounting plates.
- Refit the lamps.
- Refit the grease filters.

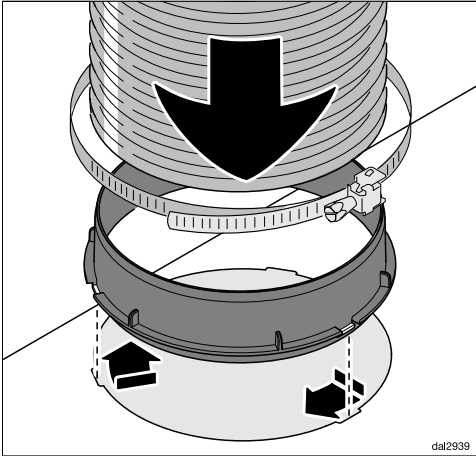
For air extraction mode



- For \varnothing 150 mm exhaust ducting, cut the exhaust socket to size with a sharp knife.
For \varnothing 125 mm exhaust ducting, the exhaust socket is installed as it is.



- If required, install the non-return flap. Check that the flap opens easily and closes by itself.



Mains connection

Refer to the notes in “Electrical connection” and “Warning and Safety instructions” before connecting to the electricity supply.

- Plug the connection cable into an electrical socket.

Functional check

- To do this, switch the fan on.
 - In air extraction mode air should not come out of the air outlet at the front of the rangehood.
 - In recirculation mode the air should come out of the air outlet at the front of the rangehood.

If this does not happen, the deflector is not installed correctly (see “Deflector”).

- Secure the exhaust ducting to the exhaust connection, e.g. with a hose clip (available as an optional accessory) on flexible ducting.
- Insert the exhaust socket into the exhaust opening and secure it by turning clockwise.
- See “Connection for air extraction” for further instructions on fitting the ducting.

For recirculation mode

- Fit the charcoal filter (see “Cleaning and care”).

Installation

Electrical connection

The rangehood is supplied with a mains connection cable with moulded plug ready for connection to a suitable earthed socket.

If the socket is not easily accessible or if the appliance is to be hard-wired, ensure that a suitable means of disconnection is provided on the installation side for each pole.



Risk of fire from overheating.

Connecting the rangehood to multi-socket adapters or extension cables can overload the cables.

For safety reasons, do not use an extension cable or multi-socket adapter.

All electrical work must be carried out by a suitably qualified and competent person in strict accordance with national and local safety regulations.

For safety reasons, we recommend using a suitable residual current device (RCD) in the relevant electrical installation for connecting the rangehood.

If the mains connection cable is damaged, it must only be replaced with a specific mains connection cable of the same type (available from Miele). For safety reasons, such replacement may only be carried out by a suitably qualified and competent electrician or a Miele authorised service technician, in order to avoid a hazard.

The data plate indicates the nominal power consumption and the connection data. Compare this information with the data of the on-site electrical connection. If in any doubt, consult a qualified electrician.

Temporary or permanent operation with a self-sufficient or non-mains synchronous energy supply system (e.g. isolated networks, back-up systems) is possible. A requirement for the operation is that the energy supply system complies with all current local and national requirements that apply to stand-alone, solar and/or battery systems. The protective measures provided in the domestic installation and in this Miele product must also be assured in their function and operation in isolated operation or in non-mains synchronous operation, or replaced with equivalent measures in the installation.

Connection for air extraction

⚠ Before installation, it is important to read the information given on the following pages as well as the "Appliance dimensions" and the "Warning and Safety instructions" at the beginning of this booklet. This is particularly crucial when using the rangehood at the same time as a heating appliance that relies on oxygen from the same room, which could result in the build-up of toxic fumes.

The rangehood should be installed according to local and national building regulations. Seek approval from the building inspector where necessary.

Only use smooth pipes or flexible ducting made from approved non-flammable materials for exhaust ducting.

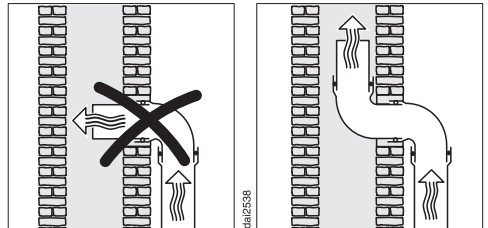
To achieve the most efficient air extraction with the lowest noise levels, please note the following:

- The diameter of the exhaust ducting must not be smaller than the cross-section of the exhaust connection (see "Appliance dimensions"). This is particularly applicable when using flat ducting.
- The exhaust ducting must be as short and straight as possible.
- Only use wide radius bends.
- The exhaust ducting must not be kinked or compressed.
- All connections must be strong and airtight.

- If the ducting has flaps, these must be opened when the rangehood is switched on.

Any constriction of the airflow will reduce extraction performance and increase operating noise.

Vent flue



If the exhaust air is to be ducted into a vent flue, the ducting must be directed in the flow direction of the flue.

If the flue is used by several ventilation units, the cross-section of the flue must be large enough.

Non-return flap

- Make sure you use a non-return flap in the exhaust air system.

A non-return flap ensures that when the rangehood is not in operation, the duct is closed and no exchange of room and outside air can take place.

If the exhaust air is ducted through an outside wall, a Miele wall vent or a Miele roof vent (available as an optional accessory) is recommended. These are fitted with an integrated non-return flap.

If the on-site exhaust air system does not have a non-return flap, one is supplied with the rangehood.

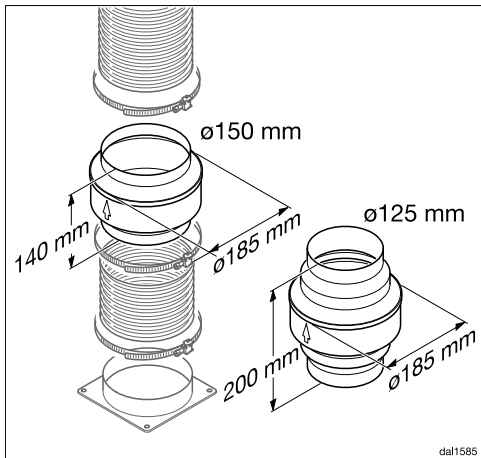
The non-return flap is fitted to the fan's exhaust connection.

Installation

Condensed water

If the exhaust ducting is to run through rooms, ceiling space etc., condensate may form in the ducting due to variations in temperature between the different areas. To minimise temperature variations, the exhaust ducting will need to be suitably insulated.

Where ducting is horizontal, it must be laid to slope away at at least 1 cm per metre. The gradient ensures that condensate cannot drain back into the rangehood.



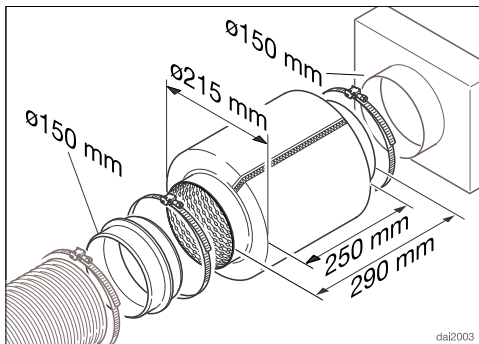
In addition to insulating the exhaust ducting, we recommend that a suitable condensate trap is also installed to collect and evaporate any condensate which may occur.

Condensate traps are available for 125 mm or 150 mm ducting.

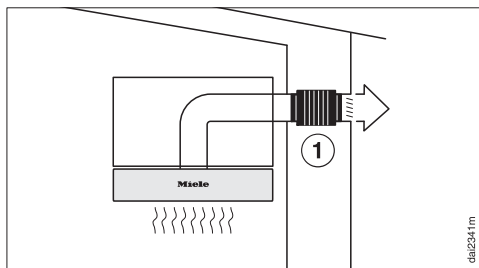
When installing a condensate trap, ensure that it is positioned vertically and, if possible, directly above the exhaust socket. The arrow on the housing indicates the direction of airflow.

Miele will not accept warranty claims for any functional defects or damage caused by inadequate ducting.

Silencer



To achieve even further reductions in noise levels, a special silencer (optional accessory) can be fitted in the ducting system.



In extraction mode the silencer not only reduces noise from the fan outside the house, but also sounds from outside which reach the kitchen via the vent ducting (e.g. traffic noise). For this reason, the silencer must be positioned as close as possible to the ducting exit ①.

Technical data

Fan motor	2 x 115 W
Cooktop lighting	2 x 3 W
Total rated load	236 W
Voltage, frequency	AC 230 V, 50 Hz
Fuse rating	10 A
Mains connection cable length	1.5 m
Weight	
DA 1255	11 kg
DA 1260	11.2 kg
DA 1200	14.6 kg

Optional accessory for recirculation mode

1 charcoal filter DKF 18-P

Miele Australia Pty. Ltd.

ACN 005 635 398

ABN 96 005 635 398

Level 4, 141 Camberwell Road
Hawthorn East, VIC 3123

1300 464 353 (1300 4 MIELE)

info@miele.com.au

www.miele.com.au

Miele New Zealand Limited

IRD 98 463 631

8 College Hill
Freemans Bay, Auckland 1011

0800 464 353 (0800 4 MIELE)

customercare@miele.co.nz

www.miele.co.nz

Miele Global Headquarters

Germany

Miele & Cie. KG

Carl-Miele-Straße 29

33332 Gütersloh

Federal Republic of Germany

DA 1255, DA 1260, DA 1200

en-AU, NZ

M.-Nr. 12 407 040 / 01