





Operating and installation instructions Wine conditioning unit



To avoid the risk of accidents or damage to the appliance it is **essential** to read these instructions before it is installed and used for the first time.

Contents

Warning and Safety instructions	5
Caring for the environment	14
Saving energy	15
Guide to the appliance	16
Control panel.....	16
Symbols	17
Using the door-opening mechanism correctly.....	19
Accessories	20
Accessories supplied	20
Optional accessories	20
Switching on and off	21
Before using for the first time	21
Operating the wine conditioning unit	21
Switching the wine conditioning unit on	21
Switching the wine unit off.....	22
Switching off for longer periods of time	23
Selecting further settings	24
Safety lock 	24
Audible tones 	25
Display brightness 	26
The optimum temperature and air quality	27
The optimum temperature	27
Setting the temperature	28
Temperature range.....	29
Temperature display	29
Air quality and humidity	29
Using DynaCool  (constant humidity)	30
Air filtration with the Active AirClean filters.....	30
Temperature and door alarm	31
Feature lighting	33
Switching the feature lighting on and off	33
Setting the brightness of the feature lighting	33
Lighting duration of the feature lighting.....	34

Storing wine bottles	35
Wooden shelves	36
Moving the wooden shelves	36
Adjusting the wooden shelves	37
Annotating wooden shelves	38
Inserting the decor shelf	38
Maximum capacity	38
Automatic defrosting	39
Cleaning and care	40
Cleaning agents	40
Before cleaning the wine unit	41
Interior, accessories and appliance door	41
Cleaning the ventilation gaps	41
Cleaning the door seal	41
Cleaning the air filter	41
After cleaning	41
Active AirClean filters	42
Replacing the Active AirClean filter	42
Problem solving guide	43
Noises	48
After sales service and warranty	49
Contact in the event of a fault	49
EPREL database	49
Warranty	49
Installation	50
Location	50
Side-by-side	51
Climate range	51
Ventilation	52
Door opening angle limiter	52
Installation dimensions	53
View from above	54
Adjusting the door hinges	55
Changing the door hinging	55

Contents

Installing the wine conditioning unit.....	60
Before installing the wine conditioning unit.....	60
Setting up the wine conditioning unit.....	61
Push the wine conditioning unit into the niche.....	63
Secure the wine conditioning unit in the niche.....	64
Electrical connection	67
Information for dealers	68
Demo mode ■	68

Warning and Safety instructions

This wine conditioning unit complies with all current local and national safety requirements. Inappropriate use can, however, lead to personal injury and material damage.

Read the operating and installation instructions carefully before using the wine conditioning unit. They contain important information on safety, installation, use and maintenance. This is to protect yourself from injury, and from damaging your wine conditioning unit.

In accordance with standard IEC 60335-1, Miele expressly and strongly advises that you read and follow the instructions in the chapter on installing the wine conditioning unit as well as the safety instructions and warnings.

Miele cannot be held liable for injury or damage caused by non-compliance with these instructions.

Keep these instructions in a safe place and pass them on to any future owner.

 Danger of injury from broken glass.

If installed at altitudes above 1500 m there is a risk of the glass in the door breaking because of changes in air pressure. Shards of glass can cause severe injury.

Warning and Safety instructions

Correct application

▶ This wine conditioning unit is intended for use in the home and in similar environments, for example

- in shops, offices and similar work settings
- by the guests in hotels, motels, bed & breakfasts and other typical home settings.

This wine conditioning unit is not intended for outdoor use.

▶ The wine conditioning unit is intended for domestic use only for storing wine.

It must not be used for any other purpose.

▶ The wine conditioning unit is not suitable for storing and keeping cool medicines, blood plasma, laboratory preparations or other such materials or products. Incorrect use of the wine conditioning unit for such purposes can cause deterioration of the items stored. The wine conditioning unit is not suitable for use in areas where there is a risk of explosion.

Miele cannot be held liable for damage resulting from improper or incorrect use of the appliance.

▶ This wine conditioning unit may only be used by people (including children) with reduced physical, sensory or mental capabilities or lack of experience and knowledge if they are supervised whilst using it. The wine conditioning unit may only be used by these people without supervision if they have been shown how to use it in a safe way and recognise and understand the consequences of incorrect operation.

Safety with children

- ▶ Children under 8 years of age must be kept away from the wine conditioning unit unless they are constantly supervised.
- ▶ Children aged 8 and older may only use the wine conditioning unit without supervision if they have been shown how to use it in a safe manner. Children must be able to understand and recognise the possible dangers caused by incorrect operation.
- ▶ Children must not be allowed to clean or maintain the wine conditioning unit unsupervised.
- ▶ Please supervise children in the vicinity of the wine conditioning unit and do not let them play with it.
- ▶ Danger of suffocation! Whilst playing, children could become entangled in packaging (such as plastic wrapping) or pull it over their head and suffocate. Keep packaging material away from children.

Warning and Safety instructions

Technical safety

► The refrigerant circuit has been checked for leaks. The wine conditioning unit complies with statutory safety requirements and the appropriate EU directives.



► This wine unit contains the refrigerant Isobutane (R600a), a natural gas which is environmentally friendly. The refrigerant does not damage the ozone layer and does not contribute to the greenhouse effect.

The use of this refrigerant has, however, led to a slight increase in the noise level of the appliance. In addition to the noise of the compressor, you might be able to hear the refrigerant flowing around the cooling circuit. Unfortunately, this cannot be avoided, but it does not affect the performance of the wine unit.

When transporting and installing the wine unit, ensure that no parts of the cooling circuit are damaged. Splashes of refrigerant can damage the eyes.

In the event of damage:

- Avoid naked flames or anything which creates a spark.
 - Disconnect the wine unit from the mains electricity supply.
 - Ventilate the room where the wine unit is located for several minutes.
 - Contact the Miele Customer Service Department.
- The more refrigerant there is in a wine unit, the larger the room it should be installed in. In the event of a leakage, if the appliance is in a small room, there is the danger of a combustible gas/air mixture building up. For every 8 g of refrigerant at least 1 m³ of room space is required. The amount of refrigerant in the wine unit is stated on the data plate inside the appliance.

Warning and Safety instructions

- ▶ To avoid the risk of damage to the wine conditioning unit, make sure that the connection data (fuse rating, frequency and voltage) on the data plate corresponds to the household supply. Check that this is the case before connecting the wine conditioning unit. Consult a qualified electrician if in any doubt.
- ▶ The electrical safety of the wine conditioning unit can only be guaranteed when correctly earthed. It is essential that this standard safety requirement is met. If in any doubt please have the electrical installation tested by a qualified electrician.
- ▶ Temporary or permanent operation on an autonomous power supply system or a power supply system that is not synchronised with the mains power supply (e.g. island networks, back-up systems) is possible. A prerequisite for operation is that the power supply system complies with the specifications of EN 50160 or an equivalent standard.

The function and operation of the protective measures provided in the domestic electrical installation and in this Miele product must also be maintained in isolated operation or in operation that is not synchronised with the mains power supply, or these measures must be replaced by equivalent measures in the installation. As described, for example, in the current version of BS OHSAS 18001–2 ISO 45001.
- ▶ If the electrical connection cable is faulty it must only be replaced by a Miele authorised service technician to protect the user from danger.
- ▶ Do not connect the wine conditioning unit to the mains electrical supply by a multi-socket adapter or extension lead. These are a fire hazard and do not guarantee the required safety of the appliance.
- ▶ If moisture gets into electrical components, it could cause a short circuit. Therefore, do not operate this wine conditioning unit in areas which are exposed to moisture (e.g. in a garage or utility room).
- ▶ This wine conditioning unit must not be used in a non-stationary location (e.g. on a ship).

Warning and Safety instructions

- ▶ Do not use a damaged wine conditioning unit. It could be dangerous. Check the wine conditioning unit for visible signs of damage.
- ▶ For safety reasons, this wine conditioning unit may only be used after it has been built in.
- ▶ The wine conditioning unit must be isolated from the electricity supply during installation, maintenance and repair work.
- ▶ Unauthorised installation, maintenance and repairs can cause considerable danger for the user. Installation, maintenance and repairs must only be carried out by a Miele authorised technician.
- ▶ While the wine conditioning unit is under warranty, repairs should only be undertaken by a Miele authorised service technician. Otherwise the warranty is invalidated.
- ▶ Faulty components must only be replaced with genuine Miele original spare parts. Miele can only guarantee the safety standards of the appliance when Miele replacement parts are used.
- ▶ This wine unit is supplied with a special lamp to cope with particular conditions (e.g. temperature, moisture, chemical resistance, abrasion resistance and vibration). This lamp must only be used for the purpose for which it is intended. The lamp is not suitable for room lighting. Replacement lamps may only be fitted by a Miele authorised technician or by the Miele Customer Service Department. This wine unit contains several light sources with at least energy efficiency class E.

Correct use

- ▶ The wine conditioning unit is designed for use within a certain climate range (ambient temperatures), and should not be used outside this range. The climate range for your wine conditioning unit is stated on the data plate inside the appliance. Installing it in a room with too low an ambient temperature, e.g. a garage, will lead to the wine conditioning unit switching off for longer periods so that it cannot maintain the required temperature.

Warning and Safety instructions

- ▶ Do not cover or block the air vents as this could impair the efficiency of the appliance, increase the electricity consumption and could cause damage to the components.
- ▶ If the wine conditioning unit is used for storing food which contains fat or oil, make sure that it does not come into contact with plastic components. Any spillages of oil or fat could cause stress cracks to the plastic and cause it to break or split.
- ▶ Risk of fire and explosion. Do not store explosive materials in the wine conditioning unit or any products containing propellants (e.g. spray cans). Electrical components can cause flammable mixes of gases to ignite.
- ▶ Danger of explosion. Do not operate any electrical appliances inside the wine conditioning unit. Danger of sparking and explosion.

Accessories and spare parts

- ▶ Only use original Miele accessories. If other parts are used, warranty, performance and product liability claims will be invalidated.
- ▶ Miele will guarantee to supply functional spare parts for a minimum of 10 years and up to 15 years following the discontinuation of your wine unit.

Warning and Safety instructions

Cleaning and care

- ▶ Do not use any oils or grease on the door seals, as these will cause the seals to deteriorate and become porous with time.
- ▶ Do not use a steam cleaning appliance to clean this wine conditioning unit.
The steam could reach electrical components and cause a short circuit.
- ▶ Sharp edged or pointed objects will damage the evaporator, causing irreversible damage to the wine conditioning unit. Do not use sharp edged or pointed objects to
 - remove frost and ice,
 - remove labels, stickers etc.

Transporting the appliance

- ▶ Always transport the wine conditioning unit in an upright position and in its original transport packaging to avoid damage in transit.
- ▶ Danger of injury and damage to the appliance. The wine conditioning unit is very heavy and must be transported by two people.

Disposing of your old appliance

- ▶ Children playing could become trapped in the wine unit and could suffocate.
 - Remove the appliance door.
 - Leave the wooden shelves in the wine unit so children cannot climb inside.
 - If your old wine unit has a door lock, destroy it. This will prevent the risk of children playing accidentally locking themselves in the appliance and endangering their lives.
- ▶ Risk of electric shock!
 - Cut the plug off the mains connection cable.
 - Cut the mains connection cable off the old appliance.

Warning and Safety instructions

- ▶ Dispose of everything separately from the old appliance.
- ▶ During and after disposal, make sure that the wine unit is not placed near petrol or other flammable gases and liquids.

- ▶ Risk of fire due to escaping oil or refrigerant!

The refrigerant and oil inside the appliance are flammable. In high enough concentrations, escaping refrigerant or oil may ignite if they come into contact with an external heat source.

During disposal, make sure that the cooling circuit is not damaged in order to prevent refrigerant and oil escaping in an uncontrolled manner (see the data plate for details of the refrigerant).

- ▶ Splashes of coolant can damage the eyes. Be careful not to damage any part of the pipework whilst awaiting disposal, e.g. by
 - puncturing the coolant channels in the condenser,
 - bending any pipework, or
 - scratching the surface coating.

Caring for the environment

Disposing of the packaging material

The packaging material is used for handling and protects the appliance from transport damage. The packaging material used is selected from materials which are environmentally friendly for disposal and can generally be recycled.

Recycling the packaging material reduces the use of raw materials. Use material-specific collection points for valuable materials and take advantage of return options. Your Miele dealer will take the packaging material away.

Disposing of your old appliance

Electrical and electronic appliances contain many valuable materials. They also contain certain materials, compounds and components which were essential for their correct functioning and safety. These could be hazardous to human health and to the environment if disposed of with household waste or if handled incorrectly. Please do not, therefore, dispose of your old appliance with household waste.



Take care not to damage your refrigeration appliance before or during disposal in an authorised, environmentally friendly manner.

This is to ensure that refrigerant in the cooling circuit and oil in the compressor is contained, and will not leak into the environment.

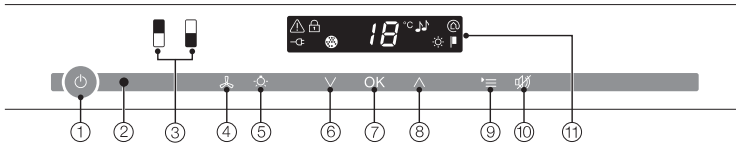
Instead, please make use of officially designated collection and disposal points to dispose of and recycle electrical and electronic appliances in your local community, with your dealer or with Miele, free of charge. By law, you are solely responsible for deleting any personal data from the old appliance prior to disposal. You are legally obliged to remove any old batteries which are not securely enclosed by the appliance and to remove any lamps without destroying them, where this is possible. These must be taken to a suitable collection point where they can be handed in free of charge. Please ensure that your old appliance poses no risk to children while being stored for disposal.

Saving energy

	Normal energy consumption	Increased energy consumption
Installation / Maintenance	In a ventilated room.	In an enclosed, unventilated room.
	Protected from direct sunlight.	In direct sunlight.
	Not near to a heat source (radiator, oven).	Near to a heat source (radiator, oven).
	Where the ideal ambient room temperature is approx. 20 °C.	Where the ambient room temperature is above 25 °C.
	Ventilation gaps uncovered and dusted regularly.	Ventilation gaps covered or dusty.
	Remove and clean the air filter with a vacuum cleaner at least once a year.	If dust has accumulated on the air filter.
Temperature setting	10 to 12 °C	The lower the temperature, the higher the energy consumption.
Use	Wooden shelves arranged as they were when the appliance was delivered.	
	Only open the door when necessary and for as short a time as possible. Store wine bottles in an organised way.	Frequent opening of the door for long periods will cause a loss of coldness. The wine conditioning unit works harder to cool down and the compressor runs for longer periods.
	Do not over-fill the appliance to allow air to circulate.	Poor air circulation will cause a loss of coldness.






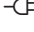

Guide to the appliance

Control panel

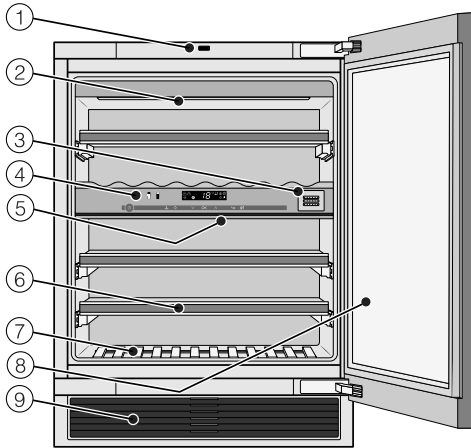


- ① For switching the whole wine conditioning unit on and off
- ② Optical interface (for Service technicians only)
- ③ For selecting the upper or lower wine conditioning zone
- ④ For switching the DynaCool function (constant humidity) on and off
- ⑤ For switching the feature lighting on and off
- ⑥ For setting the temperature (∇ for colder)
- ⑦ For confirming a selection (OK sensor)
- ⑧ For setting the temperature (^ for warmer)
- ⑨ For selecting and deselecting settings mode
- ⑩ For switching the temperature or door alarm off
- ⑪ Display with temperature and symbols (symbols only visible in settings mode; see chart for an explanation of the symbols)

Symbols

Symbol	Meaning	Function
	Lock function	To prevent inadvertent switching off and altering of settings
	Audible tones	Choice of keypad tone and door alarm tone
	Miele@home	Only visible when a communication module or communication stick is fitted and signed on
	Demo mode (only visible when Demo mode is switched on)	For switching off Demo mode
	Display brightness settings	For adjusting the brightness of the display
	Mains connection (only visible when the wine conditioning unit is switched off)	Confirms that the wine conditioning unit is connected to the electricity supply; flashes in the event of a power cut
	Alarm (only visible when the door or temperature alarm sounds)	Lights up when there is a door alarm; flashes when there is a temperature alarm, power cut or other fault

Guide to the appliance



- ① Door-opening mechanism (Push2open)
- ② Lighting strip
(in both wine conditioning zones)
- ③ Active AirClean filter
- ④ Control panel for the upper and lower wine conditioning zones/
isolation plate for thermal separation of the zones
- ⑤ Isolation strips for thermal
separation of the temperature zones
- ⑥ Wooden shelves with labels (FlexiFrames with Noteboard)
- ⑦ Decor shelf
- ⑧ Safety glass door
with UV filter
- ⑨ Ventilation grille with air filter

Using the door-opening mechanism correctly

The Push2open system on your wine unit makes it easy to open the appliance door. The appliance door on your wine unit is sensitive to pressure.

The Push2open system is deactivated at the factory. The function has to be activated by touching the On/Off sensor once the appliance has been installed in the niche (see “Switching the wine unit on and off”).

Opening the appliance door

 Risk of damage!

To avoid damage to the door opening mechanism:

Do not obstruct the appliance door while it is opening.

Do not push in or hold onto the door catch while the door is closing.

- Press gently against the appliance door and then release it. The appliance door will then open a little way automatically.
- Then pull the appliance door fully open.

To protect against inadvertent opening: if you do not open the door wider, it will close again by itself after approx. 3 seconds.

Closing the appliance door

- Push the appliance door shut.

Please be aware that using magnets in front of the wine unit door can cause it to open by mistake. This is caused by the door-closing mechanism on the wine unit.

Accessories

Accessories supplied

Chalk

Use the chalk to annotate the magnetic strips on the wooden shelves to identify your wines quickly and easily.

Active AirClean filter

The Active AirClean filter ensures optimum air quality in the wine conditioning unit by filtering the incoming air.

Air filter

The air filter behind the ventilation grille protects the cooling system from dust.

Optional accessories

A range of useful Miele accessories and care products are available for your wine conditioning unit.

WiFi stick (Miele@home)

The WiFi stick enables your wine conditioning unit to communicate, so that you can access appliance data at any time.

The WiFi stick must be fitted by the Miele Customer Service Department.

Multi-purpose microfibre cloth

The microfibre cloth is suitable for removing fingerprints and light soiling from surfaces such as stainless steel, glass, plastic and chrome without the use of chemicals.

MicroCloth Kit

The MicroCloth Kit contains a universal cloth, a glass cloth and a polishing cloth. These cloths are extremely resistant to tearing and very robust. Thanks to very fine microfibres these cloths achieve an excellent cleaning performance.

Active AirClean filters

See “Accessories supplied”.

Side-by-side fitting kit

For a high-quality side-by-side combination of undercounter wine cabinets

Accessories are available to order via the Miele Webshop, from Miele directly (see back cover for contact details) or from your Miele dealer.

Before using for the first time

Packaging material

- Remove all packaging material from the inside of the appliance.

Protective foil (depending on model)

Stainless steel surfaces have a layer of protective foil to prevent scratching during transportation.

- Do not remove the foil until the wine conditioning unit has been installed in its final location. Start at one of the top corners.

Cleaning the wine unit

Please refer to the relevant instructions in “Cleaning and care”.


- Clean the inside of the appliance and the accessories.

Operating the wine conditioning unit

A light touch of the finger on the sensors is all that is required to operate this wine conditioning unit.


Every touch of a sensor is confirmed with an audible tone. This tone can be switched off (see “Selecting further settings” – “Audible tones 🎵”).

Switching the wine conditioning unit on


When the wine conditioning unit is connected to the electrical supply, the power connection symbol  will appear in the display after a short while.




- Touch the On/Off control.

The power connection symbol  will go out and the wine conditioning unit will start to cool.

The selected wine conditioning zone will be highlighted yellow and the temperature of the selected zone will show in the display.

The first time the appliance is turned on, the sensors for the wine conditioning zones and the alarm symbol  will flash until the selected temperature has been reached in the zones.

As soon as the set temperature has been reached, the sensor for the respective wine conditioning zone will light up constantly and the alarm symbol  will go out.

The interior lighting will come on when the door is opened.

Switching on and off

Selecting settings

A different setting can be set for each wine conditioning zone.

- Touch the sensor for the wine conditioning zone you want to adjust the settings for.

The sensor that has been selected is highlighted in yellow. Now you can


- Set the temperature, and
- Switch on the DynaCool function.

Tip: Please refer to the relevant sections for more information.


If you then select a different wine conditioning zone, the settings for the previously selected zone will remain unchanged.

Switching the wine unit off



- Touch the On/Off control. If this does not work, the safety lock  is activated.

The sensor controls for the 2 wine conditioning zones will go out in the control field.

The temperature shown on the display will go out and the power connection symbol  appears.

The interior lighting goes out and cooling is turned off.

Switching off for longer periods of time

If the wine unit is not going to be used for a longer period of time:

- Switch the wine unit off.
- Switch off at the wall and withdraw the plug from the socket, or disconnect the fuse.
- Clean the wine unit.
- Leave the door ajar to air the wine unit and avoid odours building up inside it.

If the wine unit is switched off, but not cleaned, during a long absence and the door is left shut, there is a risk of mould building up inside the appliance.

The wine unit must be cleaned.

Selecting further settings

Certain settings on the wine conditioning unit can only be selected in settings mode.

The door alarm is automatically disabled when the appliance is in settings mode.

Safety lock


The safety lock can be activated to prevent:

- the appliance being switched off by mistake,
- the temperature being changed by mistake,
- DynaCool being switched on by mistake,
- the feature lighting being switched on by mistake.

Activating or deactivating the safety lock




- Touch the settings sensor.

All symbols available for selection will appear in the display and the  symbol flashes.



- Touch the OK sensor to confirm your selection.


The last selected setting flashes and the  symbol lights up in the display.



- By touching the \wedge or \vee sensor, you can now select whether the safety lock is activated or deactivated:
 O : the safety lock is deactivated
 I : the safety lock is activated




- Touch the OK sensor to confirm your selection.

The selected setting is applied, the  symbol flashes.



- Touch the settings sensor to leave settings mode.
Otherwise the appliance exits settings mode automatically after approximately one minute.

The  symbol will appear in the display when the lock is activated.

Selecting further settings

Audible tones

The wine conditioning unit has audible tones such as the keypad tone and the door and temperature alarms.


You can switch the keypad tone or the door alarm tone on or off but you cannot deactivate the temperature alarm.

There are four settings to choose from. Option 3 is set the factory, i.e. the keypad tone and the door alarm are switched on.


Switching audible signals on/off



- Touch the settings sensor.


All symbols available for selection appear in the display and the  symbol flashes.



- Touch the sensors for setting the temperature (\wedge or \vee) repeatedly until the  symbol flashes.



- Touch the OK sensor to confirm the selection.


The most recently selected setting flashes and the  symbol lights up in the display.



- Touch the \wedge or \vee sensor now to select:
 - \emptyset : keypad tone off; door alarm off
 - 1: keypad tone off; door alarm on (after 4 minutes)
 - 2: keypad tone off; door alarm on (after 2 minutes)
 - 3: keypad tone on; door alarm on (after 2 minutes).



- Touch the OK sensor to confirm the selection.

The selected setting is applied, the  symbol flashes.



- Touch the settings sensor to exit settings mode. Otherwise, the appliance electronics will exit the settings mode automatically after approximately one minute.

Selecting further settings

Display brightness ☀


The display brightness can be adjusted to suit lighting conditions in the room.

The display brightness can be adjusted in steps from 1 to 3. The factory default setting is 3 (maximum brightness).

Altering the display brightness



- Touch the settings sensor.

All symbols available for selection will appear in the display and the  symbol flashes.



- Touch the sensors for setting the temperature (\wedge or \vee) repeatedly until the ☀ symbol flashes.



- Touch the OK sensor to confirm your selection.

The last selected setting flashes and the ☀ symbol lights up in the display.



- By touching the \wedge or \vee sensor you can now alter the brightness of the display:
1: dimmest setting
2: medium setting
3: brightest setting.



- Touch the OK sensor to confirm your selection.

The selected setting is applied, the ☀ symbol flashes.



- Touch the settings sensor to leave settings mode. Otherwise the appliance exits settings mode automatically after approximately one minute.

The optimum temperature and air quality

Wine keeps on maturing depending on the surrounding conditions. The length of time for which wine can be kept in good condition will therefore depend not only on the temperature but also on the air quality.

The wine unit with its constant and wine specific temperature, increased air humidity and odour-free atmosphere offers the perfect conditions for storing your wine.

The wine unit also guarantees (as opposed to a refrigerator) an environment without vibrations so that the maturing process of the wine is not disturbed.

The optimum temperature

Wine can be stored at a temperature between 6 and 18 °C. If you are storing white and red wines together, select a temperature between 12 and 14 °C. This is suitable for both white and red wines. Red wine should be taken out of the wine conditioning unit and opened at least two hours before drinking to allow it to breathe and develop its aroma.

At too high a temperature (over 22 °C) wine matures too quickly, which prevents the aromas from developing further. Wine cannot mature fully at too low a temperature (below 5 °C).

Fluctuations in temperature put wine under stress and interrupt the maturing process. It is therefore very important to maintain a constant temperature.

Type of wine	Recommended drinking temperature*
Light, fruity reds:	+14 °C to +16 °C
Full-bodied reds:	+18 °C
Rosé wines:	+8 °C to +10 °C
Delicate, aromatic whites:	+8 °C to +12 °C
Full-bodied or sweet whites:	+12 °C to +14 °C
Champagne, sparkling white wines, Prosecco:	+6 °C to +10 °C

* Store the wine 1 or 2 °C cooler than the recommended drinking temperature as it warms up a little when poured into the glass.

Tip: Full-bodied reds should be opened for 2–3 hours before drinking to allow the wine to breathe and develop its aroma.

Safety device in case of low ambient temperatures

The appliance is equipped with a safety thermostat to protect your wine against a sharp drop in temperature. If the external temperature should fall, a heater element switches on automatically to keep the temperature inside as constant as possible. If the ambient temperature continues to fall, the appliance switches itself off automatically.

The optimum temperature and air quality

Isolator plate for thermal separation

The unit comes with a fixed isolation panel that partitions the interior of the wine conditioning unit into two separate temperature zones. This enables you to store different types of wine at the same time, e.g., red wine and Champagne. The isolation strips inside the glass door prevent the exchange of heat between the individual zones.

Setting the temperature

The temperatures in the wine conditioning zones can be set independently of one another.

- Touch the sensor for the zone for which you wish to change the temperature, so that it is highlighted in yellow.

The current temperature for the selected zone appears in the display.

- Use the two sensors underneath the display to set the temperature.

By touching the sensor



- The temperature decreases



- The temperature increases



- Touch the OK sensor to confirm your selection
or
- Wait approximately 5 seconds after the last touch of a sensor

The temperature being set will flash in the display.

The following information shows in the display while the sensors are being touched:

- Touching a sensor once:
The **last temperature selected** flashes.
- Each subsequent touch of the sensor:
Adjusts the temperature shown in 1 °C increments.
- Leaving a finger on the sensor:
Changes the temperature continuously.

A negative tone will sound (if the keypad tone is switched on) when the lowest or highest possible temperature is reached.

Approximately 5 seconds after the last time a sensor has been touched, the **actual** temperature inside the wine conditioning zone is automatically shown.

When the temperature is altered, there is a short delay until the temperature selected is set.

The temperature display on the control panel always shows the **actual** temperature.

The optimum temperature and air quality

Temperature range

In both zones it is possible to set temperatures between 5 and 20 °C.

Temperature display


In normal operation the temperature display shows the actual temperature in the zone.

If the temperature in one of the zones is not within the range that the appliance is able to display, dashes will light up in the temperature display.

Depending on the ambient temperature and the temperature setting, it can take the appliance a few hours to reach the temperature required and for this temperature to then be shown as a constant temperature in the display.

Air quality and humidity

In most refrigerators the humidity is too low for wine and therefore a refrigerator is not suitable for wine storage. High humidity levels are necessary when storing wine to moisten corks from the outside. When the humidity is too low the corks dry out and the bottle is no longer tightly sealed. For this reason wine bottles should always be stored horizontally to ensure that corks are also kept moist from the inside. If air gets into the bottle, this will have a negative impact on the wine!

 Danger of damage from excess amounts of moisture

An increase in humidity will lead to condensation on the interior walls. Condensate can cause damage such as corrosion to the wine unit.

Do **not** introduce additional moisture to air in the cabinet, e.g. by placing a dish of water in the wine unit.

The optimum temperature and air quality

Using DynaCool (constant humidity)

DynaCool raises the relative humidity inside the whole of the wine conditioning unit. It also distributes the humidity and the temperature evenly around the interior so that you can store all your wine under the same excellent conditions.

This will create a stable climate in the unit which imitates that of a wine cellar.

Switching on DynaCool

If you would like to use the wine conditioning unit to store wine over the long term, we recommend that you keep the DynaCool function switched on.



- Touch the sensor to switch the DynaCool function on/off. The sensor will be highlighted in yellow.

Even if DynaCool has not been switched on, the fans in the wine conditioning unit will come on automatically as soon as the cooling system switches on. This ensures the optimum climate for your wine is maintained.

The fans automatically switch off when the door is open.

Switching off DynaCool

The wine conditioning unit uses slightly more energy and is a little noisier when the DynaCool function is switched on. You can switch it off now and then if you wish.



- Touch the sensor for switching the DynaCool function on and off so that it is no longer highlighted in yellow.

Air filtration with the Active AirClean filters

The Active AirClean filter achieves optimum air quality by filtering the incoming air.

Fresh air from the room enters the wine unit via the Active AirClean filter.

The fans (DynaCool function) then distribute the air evenly throughout the cabinet.


Filtering the incoming air through the Active AirClean filter ensures that all the air entering the wine unit is fresh and free from dust and odours.

This also ensures your wine does not absorb any unwanted odours through the corks.

Temperature and door alarm


This wine conditioning unit is equipped with an alarm system so that the temperature cannot rise or fall unnoticed, thus possibly damaging the wine.

Temperature alarm

If the temperature in one of the wine conditioning zones rises or falls by a certain amount, the sensor for that zone will flash in the control panel and at the same time the alarm symbol  will flash in the display. An audible alarm will also sound.

Audible and visual signals will be activated, for example,

- when the wine unit is switched on and the temperature in one of the temperature zones differs greatly from the set temperature,
- when too much warm ambient air enters the cabinet when bottles are being rearranged or taken out,
- when a large number of bottles are stored for the first time,
- in the event of a power cut,
- if there is a fault with the wine unit.

The alarm will stop and the alarm symbol  goes out as soon as the reason for the alarm has been resolved. The sensor for the relevant zone will light up constantly again.


Switching the temperature alarm off early

If the noise disturbs you, you can switch the alarm off if you wish.




- Touch the sensor for switching off the temperature alarm.


The alarm will stop.


The relevant wine conditioning zone will continue to flash in the control panel and the alarm symbol  will continue to flash in the display until the cause of the alarm has been rectified.

Temperature and door alarm

Door alarm

An alarm will sound if the appliance door has been left open for longer than approx. 2 minutes. The sensors for the wine conditioning zones will flash in the control panel. The alarm symbol  lights up in the display.

As soon as the door is closed, the alarm will stop. The sensors for the wine conditioning zones and the alarm symbol  will go out in the control panel.

If the audible signal does not sound in the event of a door alarm, then the audible signal has been switched off in settings mode (see “Selecting further settings – Audible signals ”).


Switching the door alarm off early

If the noise disturbs you, you can switch the alarm off if you wish.



- Touch the sensor for switching off the door alarm.

The alarm will stop.

The sensors for the wine conditioning zones will continue to flash and the alarm symbol  will remain lit up until you close the door.

The interior lighting can be set to remain on when the door is closed so your wines can be on display at all times.

Each wine conditioning zone has its own light so that your wine unit is lit up to maximum effect.

Thanks to the use of LED lighting, the wine will not be adversely affected by heat or UV light.

Switching the feature lighting on and off



- Touch the On/Off sensor for the feature lighting so that it is highlighted in yellow.

The interior lighting is now switched on, even when the appliance door is closed.

To switch the feature lighting off again:

- Touch the On/Off sensor for the feature lighting so that it is no longer highlighted in yellow.

The interior lighting is now switched off when the appliance door is closed.

Setting the brightness of the feature lighting

The brightness of the feature lighting can be adjusted.



- Touch the On/Off sensor for the feature lighting so that it is highlighted in yellow.
- Touch the sensor for the feature lighting again for approximately four seconds until *l* flashes in the display (after two seconds *h* will flash).
- Use the sensors for altering the temperature to set the feature lighting brightness (∇ and \wedge). To do this, touch and hold the sensors. The brightness is adjusted directly and is infinitely variable. The results are not visible in the display.

By touching the sensor



- the lighting becomes dimmer



- the lighting becomes brighter.

Feature lighting



- Touch the OK sensor to confirm your choice.

The set brightness is saved to memory. The temperature display then appears again.

As soon as the appliance door is closed, the set brightness for the feature lighting takes effect. When the appliance door is opened, the interior lighting returns to its normal level.

Lighting duration of the feature lighting

The lighting duration for the feature lighting is set to 30 minutes as standard.

The lighting duration can be set to 30, 60, 90 minutes up to 00 (unlimited). The feature lighting will have the brightness setting you have selected previously.

- Open the appliance door.



- Touch the On/Off sensor for the feature lighting so that it is highlighted in yellow.
- Touch the sensor for the feature lighting again for approx. two seconds until *h* flashes in the display.
- Use the ∨ and ∧ sensors for altering the temperature to set the feature lighting duration. The duration (in minutes) will flash in the display.

By touching the sensor



- lighting duration is reduced by 30 minutes




- lighting duration is increased by 30 minutes.



- Touch the OK sensor to confirm your choice.

The selected lighting duration is saved and the temperature reappears in the display.

The lighting duration set starts anew whenever the appliance door is opened and closed.

 Risk of injury from LED lighting. This lighting corresponds to risk group RG 2. If the cover is defective, there is a risk of eye injury. If the lighting cover is defective, do not look from a close range directly into the lighting with optical instruments (e.g. magnifying glass or similar).


Storing wine bottles

Vibration and movement have a negative effect on the maturing process, which can in turn affect the taste of the wine.

To avoid disturbing other bottles when removing a bottle of wine, store bottles of the same type beside each other on the same wooden shelf. Avoid stacking bottles on top of one another on the wooden shelves.


Always place the bottles in a horizontal position so that the natural corks can be kept moist on the inside and air is prevented from getting into the bottles.

Tip: We also recommend increasing the humidity level inside the wine conditioning unit for wine bottles with natural corks (see “The optimum temperature and air quality – Using DynaCool (constant humidity) 🌀”).

 Risk of injury from falling wine bottles.

Wine bottles may become wedged in the wooden shelves above and fall out of the wine unit when the shelves are pulled out.

Always pull out the wooden shelves slowly and carefully.

 Risk of damage and injury from broken glass.

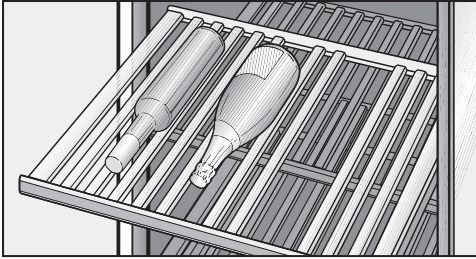
If wooden shelves and bottles protrude too far forwards, they may damage the glass door when it is closed.

Please ensure that the wooden shelves and wine bottles do not protrude.

Do not cover the vents in the rear wall, as they are essential for keeping the appliance cool.

Storing wine bottles

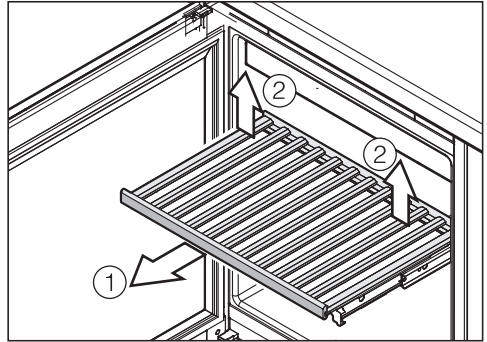
Wooden shelves



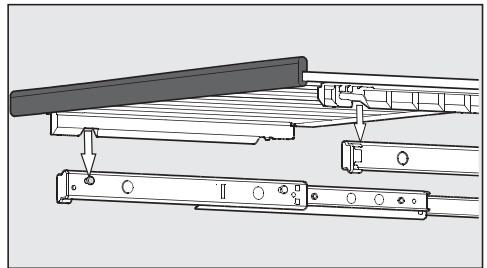
The wooden shelves are on telescopic runners which can be pulled out to make it easier to store and remove bottles.

Moving the wooden shelves

The wooden shelves can be removed and replaced again if required.

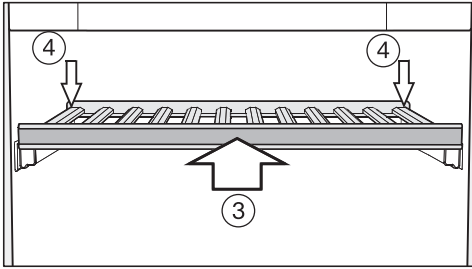


- Pull the wooden shelf out until it stops ①.
- Release the wooden shelf at the back, lifting the shelf on the left and right at the same time ②.
- Lift the wooden shelf forwards to remove it.



- To replace the shelf, place it on the extended rails. The notches in the wooden shelf fit onto the retaining bolts. The magnetic strip must face the front.

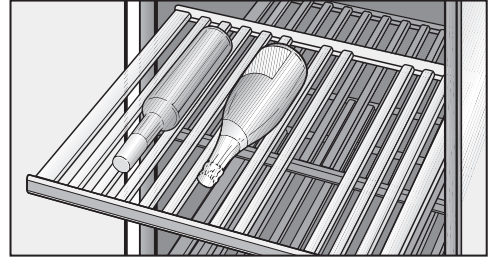
Storing wine bottles



- Slide the wooden shelf back into the appliance as far as it will go ③.
- Push the wooden shelf right back so that it clicks into place at the front.
- Press down on the back of the wooden shelf until it clicks into place at the back ④.

Adjusting the wooden shelves

The slats in the wooden shelves can be individually adjusted to suit, so that every bottle is stored in perfect safety regardless of shape or size.



- Simply lift individual slats to move or remove them from the wooden shelves.

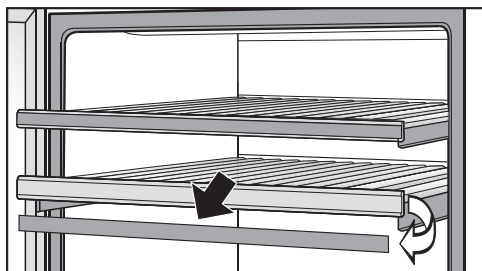
The slats in the decor shelf (at the bottom of the appliance) cannot be adjusted.

Storing wine bottles


Annotating wooden shelves

For quick and easy identification of the wines stored, you can write on the blackboard-painted surface on the magnetic strips on the wooden shelves.

Use the chalk supplied. You can write directly on the magnetic strip or remove it from the wooden shelf. To do so:



- Hold the magnetic strip by the sides and pull it forwards. The magnetic strip is held on the wooden shelf by magnets.
- The magnetic strip can be wiped clean with a damp cloth.

 Risk of damage from unsuitable cleaning methods.

Cleaning the magnetic strips with a cleaning agent may damage the blackboard surface on them.

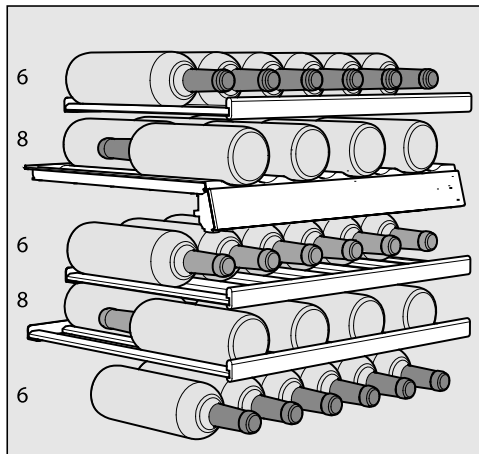
Use clean water only to wipe the magnetic strips.

- Annotate the magnetic strip with the chalk supplied and replace it on the front of the wooden shelf.

Inserting the decor shelf

- Place the decor shelf at the very bottom of the appliance (see “Description of the appliance”).

Maximum capacity



Up to 34 Bordeaux bottles (0.75 l) can be stored in the wine conditioning unit, with 14 in the upper zone and 20 in the lower zone.

The total of 34 bottles can only be achieved by using all the wooden shelves.




Please note that each wooden shelf has a maximum load-bearing capacity of 25 kg. Please avoid stacking bottles on the wooden shelves.

Automatic defrosting

The wine unit defrosts automatically.

Cleaning and care

Do not let water get into the electronic module, the ventilation grille or the lighting.

 Risk of damage due to moisture ingress.

The steam from a steam cleaner can damage plastic and electrical components.

Do not use a steam cleaner to clean the wine conditioning unit.

The data plate located inside the wine conditioning unit must not be removed. It contains information which is required in the event of a service call.

Cleaning agents

To avoid damaging the surfaces of your appliance, **do not use**

- Cleaning agents containing soda, ammonia, acids or chlorides
- Cleaning agents containing descaling agents
- Abrasive cleaning agents (e.g. scouring powder, scouring liquid or pumice stones)
- Cleaning agents containing solvents
- Stainless steel cleaning agents
- Dishwasher cleaner
- Oven sprays
- Glass cleaner (except on the glass in the appliance door)
- Hard, abrasive sponges and brushes (e.g. pot scourers)
- Eraser stain remover blocks
- Sharp metal scrapers

Cleaning and conditioning agents used inside the wine conditioning unit must be food safe.

We recommend using lukewarm water with a little washing-up liquid for cleaning.


Before cleaning the wine unit

- Switch the wine unit off.
- Take any wine bottles out of the wine unit and store them in a cool place.
- Take out all other removable parts for cleaning.
- Remove the magnetic strips from the wooden shelves before cleaning them.

Interior, accessories and appliance door

Clean the wine conditioning unit at least once a month.
Remove soiling immediately to prevent it from drying on.

- Clean the interior with a solution of lukewarm water and a little washing-up liquid.
- The wooden shelves should only be wiped with a well wrung-out damp cloth. **They must not be allowed to get wet.**

 Risk of damage due to incorrect cleaning.
The blackboard coating on the magnetic strips may be damaged.
Use clean water only to wipe the magnetic strips at the front of the wooden shelves. Do **not** use a cleaning agent.


- After cleaning, wipe the interior and accessories with a damp cloth and dry with a soft cloth. Leave the door open to air the wine conditioning unit for a short while.
- Clean the glass panes in the appliance door with glass cleaner.

Cleaning the ventilation gaps

A build-up of dust will increase the energy consumption of the appliance.

- The ventilation gaps should be cleaned on a regular basis with a brush or vacuum cleaner (you could use a Miele vacuum cleaner dusting brush, for example).

Cleaning the door seal

 Risk of damage as a result of incorrect cleaning.

If you treat the door seal with oils or grease, it can become porous.
Do not use any oils or grease on the door seal.

- The door seal should be cleaned regularly with clean water, and then wiped dry with a soft cloth.

Cleaning the air filter

- Clean the air filter behind the ventilation grille at least once a year.
- Remove the air filter and vacuum it thoroughly on both sides. A dirty filter can prevent the wine conditioning unit from cooling sufficiently.

After cleaning

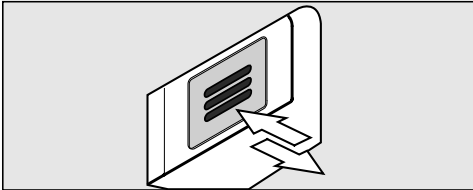
- Replace all shelves and accessories in the wine conditioning unit.
- Reconnect to the mains and switch the wine conditioning unit back on.
- Place the wine bottles back in the wine conditioning unit and close the appliance door.

Active AirClean filters

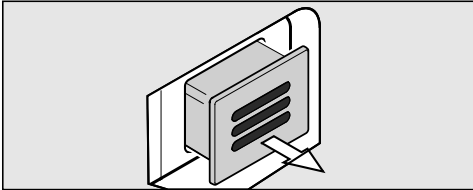
Fresh air from the room enters the wine unit via the Active AirClean filter. Filtering the incoming air through the Active AirClean filter ensures that all the air entering the wine unit is fresh and free from dust and odours.

Tip: Replace the Active AirClean filter at least every 12 months.

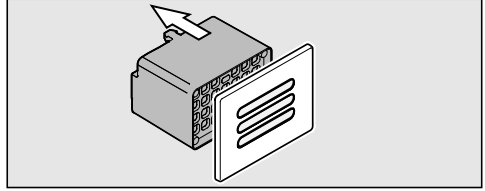
Replacing the Active AirClean filter



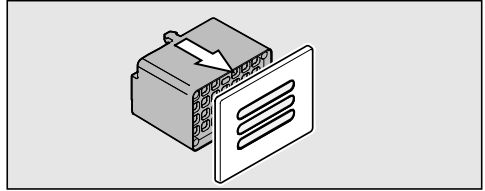
- Push the filter in and then release it.



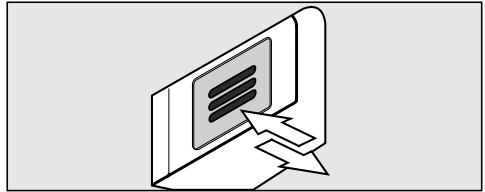
- Pull the filter out.



- Detach the back part of the filter from the cover.



- Push the new filter onto the cover.



- Insert the new filter.
- Push the filter in and then release it. The filter will lock into place automatically with an audible click.

Active AirClean filters can be obtained from your Miele dealer, Miele or from the Miele website.





Problem solving guide

Many malfunctions and faults that can occur in daily operation can be easily remedied. You can save time and money in many cases, as you do not need to call the Miele Customer Service Department.

Information to help you rectify faults yourself can be found at www.miele.com/service.

The following tables are designed to help you to find the cause of a malfunction or a fault and to resolve it.





To prevent cold from escaping, open the appliance as little as possible until the fault has been corrected.

Problem	Cause and remedy
<p>The wine conditioning unit is not getting cold, the interior lighting does not come on when the door is opened, and the display is not lit up.</p>	<p>The wine conditioning unit is not switched on and the mains connection symbol  is lit up in the display.</p> <ul style="list-style-type: none"> ■ Switch on the wine conditioning unit.
	<p>The plug is not inserted in the socket correctly.</p> <ul style="list-style-type: none"> ■ Insert the plug correctly into the socket. The mains connection symbol  appears in the display when the wine conditioning unit is switched off.
	<p>Check whether the mains fuse has tripped. If it has there could be a fault with the appliance, the household electrical wiring or another electrical appliance.</p> <ul style="list-style-type: none"> ■ Contact a qualified electrician or Miele.
<p>The  symbol is displayed, the wine conditioning unit is not getting cold. However, the appliance and the interior lighting are working fine.</p>	<p>Demo mode is turned on and the  symbol is illuminated in the display.</p> <ul style="list-style-type: none"> ■ Switch off Demo mode (see “Information for dealers - Demo mode”).

Problem solving guide



Problem	Cause and remedy
<p>The compressor is switching on more frequently and for longer periods of time, the temperature in the wine conditioning unit is falling.</p>	<p>The temperature in the wine conditioning unit is set too low.</p> <ul style="list-style-type: none"> ■ Adjust the temperature.
	<p>The appliance door is not properly closed.</p> <ul style="list-style-type: none"> ■ Check that the appliance door closes properly.
	<p>The appliance door has been opened too frequently.</p> <ul style="list-style-type: none"> ■ Only open the door when necessary and for as short a time as possible.
	<p>The ventilation gaps have been covered over or become dusty.</p> <ul style="list-style-type: none"> ■ Do not cover the ventilation gaps and dust them regularly.
	<p>The air filter is dusty.</p> <ul style="list-style-type: none"> ■ Clean the air filter (see “Cleaning and care”).
	<p>The ambient room temperature is too warm.</p> <ul style="list-style-type: none"> ■ Decrease the ambient room temperature.
<p>The compressor comes on less and less often and for shorter periods of time. The temperature in the wine conditioning unit rises.</p>	<p>Not a fault. The temperature is too high.</p> <ul style="list-style-type: none"> ■ Correct the temperature setting. ■ Check the temperature again after 24 hours.
	<p>The air filter in the appliance plinth is dirty.</p> <ul style="list-style-type: none"> ■ Clean the air filter (see “Cleaning and care”).

Display warnings

Message	Cause and remedy
<p>The alarm symbol  is lit in the display and both sensors for the wine conditioning zones are flashing in the control field. Furthermore, an audible alarm is also sounding.</p>	<p>The door alarm has been activated.</p> <ul style="list-style-type: none"> ■ Close the appliance door. Both sensors for the wine conditioning zones and the alarm symbol  will go out and the audible alarm will stop.
<p>The alarm symbol  is flashing in the display, and the sensor for one of the wine conditioning zones is also flashing. An alarm tone is also sounding.</p>	<p>The temperature in the zone concerned has risen higher or fallen lower than the temperature set. Possible reasons for this include:</p> <ul style="list-style-type: none"> – The appliance door has been opened too frequently. – The ventilation gaps have been blocked. – A prolonged power cut (power outage) has occurred. <ul style="list-style-type: none"> ■ Rectify the cause of the alarm. The alarm symbol  goes out and the sensor for the affected wine conditioning zone lights up again constantly. The alarm will stop.
<p>A dash is lit up up/flash- ing in the display.</p>	<p>Only temperatures within the range the wine conditioning unit can display will be shown.</p>
<p>“F0” to “F3” or “S1” to “S3” appear in the display.</p>	<p>There is a fault.</p> <ul style="list-style-type: none"> ■ Call Service.

Problem solving guide

The interior lighting is not working.

Problem	Cause and remedy
The LED interior lighting is not working.	<p>The wine conditioning unit is not switched on.</p> <ul style="list-style-type: none">■ Switch the wine conditioning unit on. <p>To avoid overheating, the LED lighting switches itself off automatically after approx. 15 minutes if the door is left open.</p> <p>If this is not the cause, then there is a fault.</p> <div data-bbox="404 451 1038 639" style="border: 1px solid gray; padding: 5px;"><p> Danger of electric shock.</p><p>There are live electrical components under the lighting cover.</p><p>The LED lighting may only be repaired or replaced by the Customer Service Department.</p></div> <div data-bbox="404 655 1038 871" style="border: 1px solid gray; padding: 5px;"><p> Risk of injury from LED lighting.</p><p>This lighting corresponds to risk group RG 2. If the cover is defective, there is a danger of eye injury.</p><p>If the lighting cover is defective, do not look from a close range directly into the lighting with optical instruments (e.g. magnifying glass or similar).</p></div> <ul style="list-style-type: none">■ Call the Customer Service Department.
The LED interior lighting is on even when the door is closed.	<p>The feature lighting is switched on.</p> <ul style="list-style-type: none">■ Switch the feature lighting off (see “Feature lighting”).

General problems with the wine conditioning unit

Problem	Cause and remedy
There is no audible alarm although the door has been open for a long time.	This is not a fault. The alarm tone has been switched off in settings mode (see “Selecting further settings – Audible signals 🎵”).
The wine conditioning unit cannot be switched off.	The safety lock has been activated. <ul style="list-style-type: none"> ■ Completely deactivate the safety lock (see “Selecting further settings – Activating and deactivating the safety lock 🔒”).
The slats on the wooden shelves are warping.	Volume change due to moisture absorption or drying out is a typical characteristic of wood. An increase in humidity will cause wooden components to warp, which can lead to cracking. Knots and grain patina are part of the natural character of wood.
Mildew has begun to form on the wine bottle labels.	Mildew can begin to form on the labels, depending on the type of label adhesive used. <ul style="list-style-type: none"> ■ Clean the wine bottles and remove any adhesive residue.
A white deposit has formed on the wine bottle corks.	The corks have oxidised due to contact with the air. <ul style="list-style-type: none"> ■ Use a dry cloth to wipe off the deposit. The deposit will not affect the quality of the wine.

Noises

Normal noises	What is causing them?
Brrrr ...	A humming noise is made by the motor (compressor). The humming noise can get louder for brief periods when the motor switches on.
Blubb, blubb ...	A gurgling noise can be heard when the refrigerant circulates through the pipes.
Click ...	Clicking sounds occur whenever the thermostat switches the motor on or off.
Sssrrrr ...	With a multi-zone wine unit a slight hissing sound may emanate from the interior due to the circulation of the air.
Crack ...	A cracking sound can be heard when material inside the wine unit expands.

Please bear in mind that a certain amount of noise is unavoidable (from the compressor and the refrigerant circulating through the cooling circuit).

Noises that you can easily rectify	Cause	Remedy
Rattling, vibrating	The wine unit is uneven.	Realign the wine unit using a spirit level. Do so by raising or lowering the screw feet underneath the appliance or place something underneath it.
	Shelves are unstable or sticking.	Check all removable items and refit them correctly.
	Bottles or containers are touching.	Separate them.
	The transport cable clips are hanging loose at the back of the appliance.	Remove the cable clips.

After sales service and warranty

Information to help you rectify faults yourself and about Miele spare parts can be found at www.miele.com/service.

Contact in the event of a fault

In the event of a fault which you cannot remedy yourself, please contact your Miele dealer or Miele Customer Service.

You can book a Miele Customer Service call-out online at www.miele.com/service.

Contact information for Miele Customer Service can be found at the end of this document.

Please quote the model identifier and serial number of your appliance (SN) when contacting Miele Customer Service. Both numbers can be found on the data plate inside the refrigeration appliance or, depending on the model, in Settings mode under Information **i**.

The data plate can be found inside the wine unit.

EPREL database

Since 1 March 2021, information on energy labelling and ecodesign requirements has been available in the European Product Database (EPREL). You can find the product database at the following link <https://eprel.ec.europa.eu/>. You will be asked to enter the model identifier.

The model identifier can be found on the data plate inside the refrigeration appliance or, depending on the model, in Settings mode under Information **i**.

Miele			
XXXXXX		Nr. XX/XXXXXXXXXX.	
WEINTEMPERIER-SCHRANK/UNTERTISCH-MODELL MULTI-TEMPERATURE WINE STORAGE CABINET/UNDERCOUNTER/TOP ARMOIRE DE MISE EN TEMP. DES VINS/MOD. ENCASTRABLE SOUS PLAN ARMARIO DE ACCIONAMIENTO VINO/MODELLO POTREBILIS ENMERA ВИННЫЙ ТЕМПЕРАТУРНЫЙ ШКАФ			
Class/Class Classe/Classe	Ap-Type/AP-Type AP-Type/AP-Tipo	Brutal/Net/Gross Capacity Volume Brut/Capacidad Bruta	Gelkenvermögen/Freezing Capacity Pouvoir de Congel/Capac. Congeladora
SN-ST		XXXX I	
Nutzenhall NetCapacity Volume Us Capac. Util	Ges / K / G / WEN / KALT Tot / R / F / WINE / CHILL To / R / C / Tot / R / C / WIND / CHILL		R600a: XXg


Warranty

For information on the appliance warranty specific to your country please contact Miele. See back cover for address.

In the UK, your appliance warranty is valid for 2 years from the date of purchase. However, you must activate your cover by calling 0330 160 6640 or registering online at www.miele.co.uk.


Installation

Location


 Risk of damage and injury from the wine conditioning unit tipping over.

The wine conditioning unit is very heavy and can tip forwards when the appliance door is open.


Keep the appliance door shut until the wine conditioning unit has been built in and secured in its building-in niche in accordance with these operating and installation instructions.

 Risk of damage and injury from the wine conditioning unit tipping over.

There is an increased risk of injury and damage if the wine conditioning unit is installed by a single person. Two people are required for installing the wine conditioning unit.

 Fire risk and risk of damage from appliances which give off heat. Appliances which give off heat can catch fire and set fire to the wine conditioning unit.

This wine conditioning unit must not be installed underneath a hob.

 Fire risk and risk of damage from appliances which give off heat. Appliances which give off heat can catch fire and set fire to the wine conditioning unit.

Do not install a warming drawer under the wine conditioning unit.

When deciding where to install your wine conditioning unit, please bear in mind that it will use more energy if installed near to a heater, a cooker or another appliance that gives off heat. Direct sunlight should also be avoided. The higher the room temperature, the longer the compressor runs and the higher the energy consumption is.

When installing the wine conditioning unit, please note:

- The socket must be easily accessible in an emergency, not concealed behind the appliance.
- The plug and cable must not touch the back of the wine conditioning unit as they could be damaged by vibrations from the appliance.
- Do not plug in other appliances behind the wine conditioning unit.

 Danger from broken glass!

Danger of injury from broken glass. If installed at altitudes above 1500 m there is a risk of the glass in the door breaking because of changes in air pressure. Shards of glass can cause severe injury if not handled with care.

This appliance should be installed in a dry, well-ventilated room.

Side-by-side

This wine conditioning unit can be installed side-by-side with another refrigeration appliance.

A side-by-side installation kit is required for this. This is available from Miele or your Miele dealer.

Your dealer will be able to advise you which combination of models is possible.

Instructions for fitting appliances side-by-side are given in the side-by-side fitting kit instruction manual.

Climate range

The wine conditioning unit is designed for use within a certain climate range (ambient temperatures) and should not be used outside this range. The climate range of the wine conditioning unit is stated on the data plate inside it.

Climate range	Ambient room temperature
SN	+10 °C to +32 °C
N	+16 °C to +32 °C
ST	+16 °C to +38 °C
T	+16 °C to +43 °C

Operating in a room which is too cold will cause the compressor to switch off for too long, causing the internal temperature in the wine conditioning unit to rise which could lead to damage.



Risk of damage due to high humidity.

In environments with high humidity, condensation can build up on the external wine unit panels, which can cause corrosion.

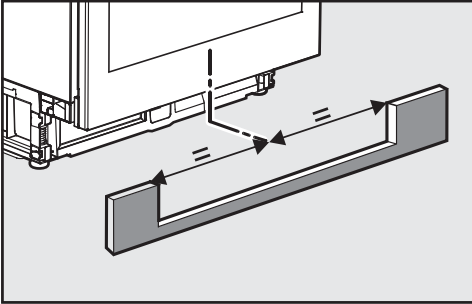
Install the wine unit with sufficient ventilation in a dry and/or air-conditioned room.

After installation, make sure that the appliance door closes properly, the ventilation gaps are not covered and that the wine unit has been installed in accordance with these operating and installation instructions.

Installation

Ventilation

The wine conditioning unit is ventilated via the grille in the plinth. This must not be covered over or blocked. Clean the plinth regularly to remove any dust.

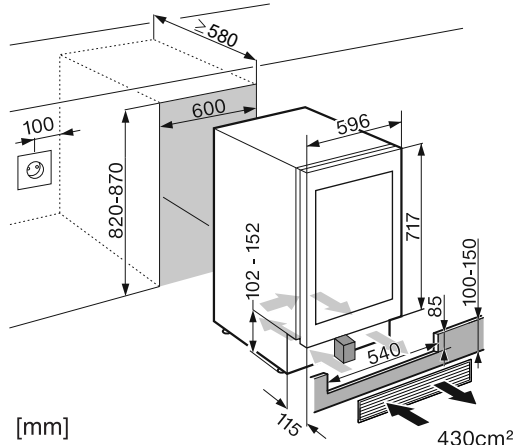


The cut-out in the plinth facing must be aligned centrally with the wine conditioning unit.

Door opening angle limiter

The door opening angle limiter restricts the opening angle of the appliance door to 90°. This may be necessary if the appliance door hits an adjacent wall when opened, for example (see “Adjusting the door hinges”).

Installation dimensions



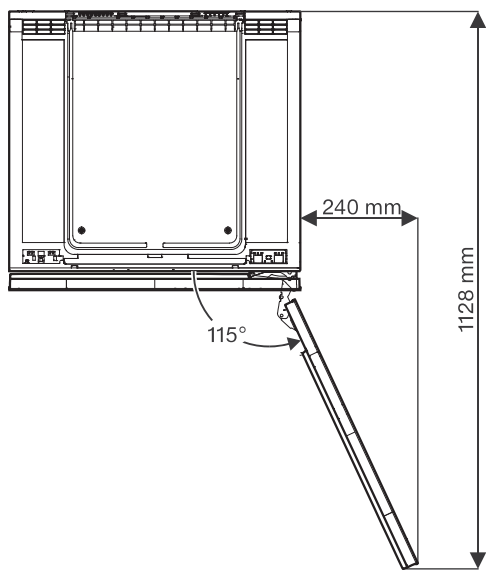
Before installation, ensure the niche dimensions are the correct size. Before installation, ensure that the ventilation gap dimensions are the correct size. The specified air vents must be observed and the cut-out in the plinth panel must be aligned centrally with the wine unit in order to ensure the correct functioning of the wine unit.

If the wine unit is not ventilated sufficiently, there is a fire hazard and risk of damage.

The **ventilation grille** and **foam block supplied** must be fitted and used together.

Installation

View from above



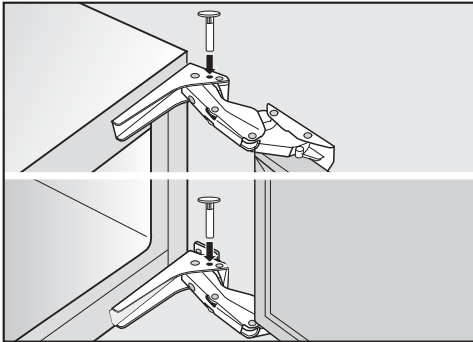
Adjusting the door hinges

The door hinges on the wine unit are set ex-works to enable the appliance door to be opened wide.

However if the opening angle of the appliance door needs to be limited for any reason, the hinge can be adjusted to accommodate this.

If the appliance door hits an adjacent wall when opened, for example, the opening angle can be limited to approx. 90°.

The locking pins for limiting the door opening must be fitted before the wine unit is installed.



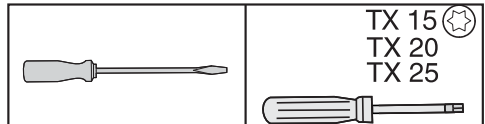
- Insert the locking pins supplied for limiting the door opening into the hinges from above.

The appliance door opening angle is now limited to approx. 90°.

Changing the door hinging

The wine unit is supplied right-hinged. If left-hand hinging is required, the hinges must be changed.

To change the door hinging, you will need the following tools:



⚠ Danger of injury and damage to the appliance.

The glass door is breakable.

The glass door is heavy. Always change the door hinging with the assistance of another person.

⚠ Danger of injury and damage to the appliance.

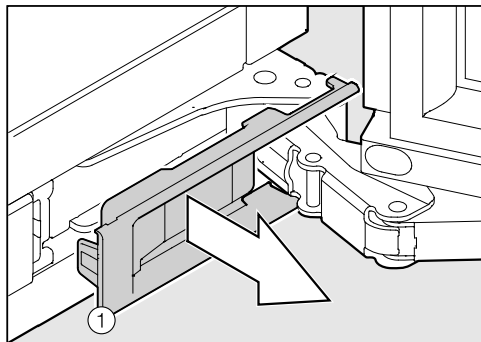
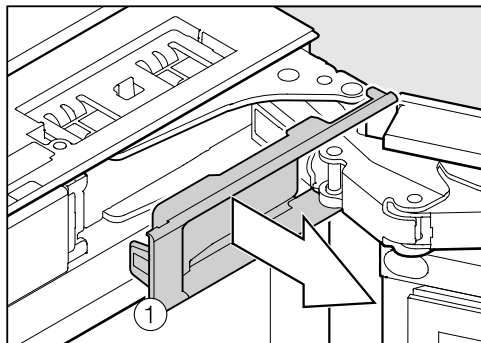
The glass door can drop.

When changing the door hinging make sure that all fixing parts are securely screwed into position.


Tip: Place a suitable cover on the floor in front of the wine unit to protect the glass door and your floor from damage when changing the hinging.

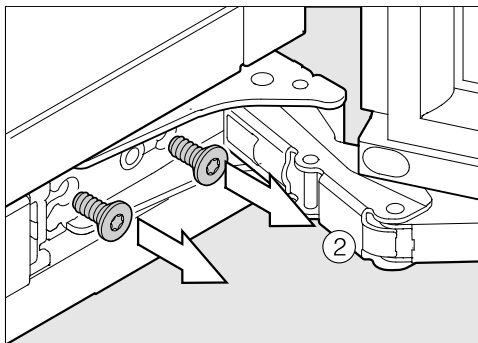
Be careful not to damage the door seal. If the door seal is damaged, the appliance door may not close properly and cooling will be insufficient.

Installation

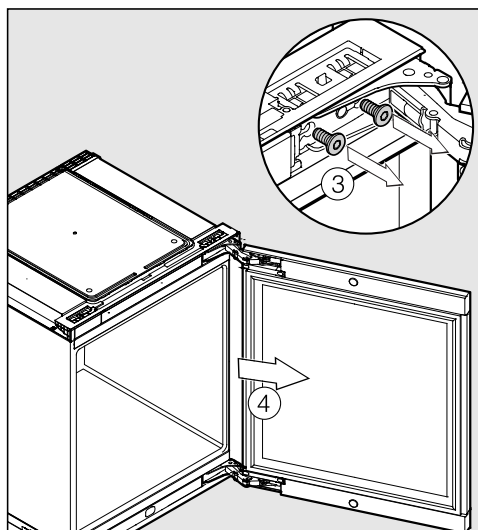


- Remove covers ①.

 The second person must support the appliance door.
Caution! When the hinge is subsequently released, the door is no longer secure.




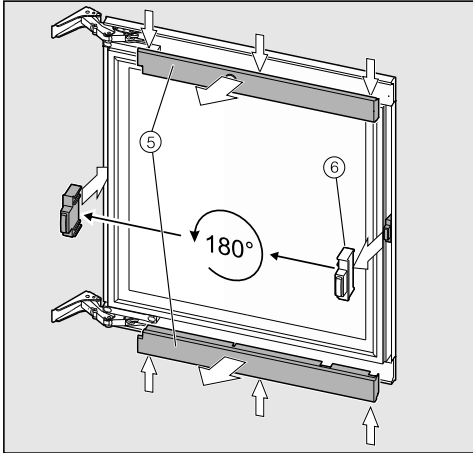
- First remove screws ② from the lower hinge.



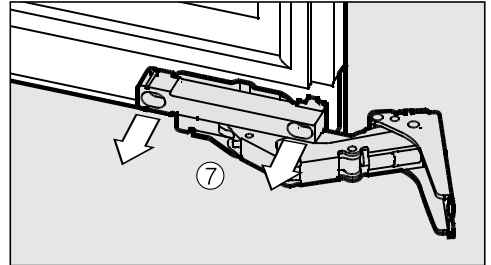
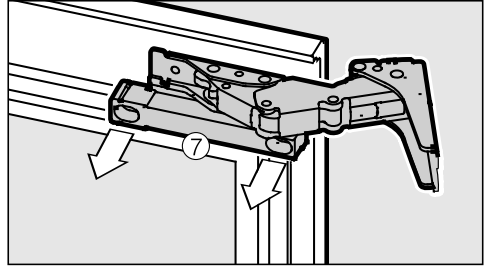
- Then remove screws ③ from the upper hinge.
- Remove the appliance door ④.

- Place the appliance door with the outer side upwards on a stable surface.

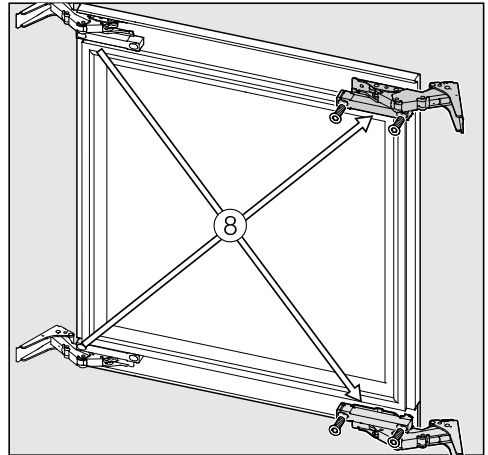
 **Danger of injury!**
Do not close the hinges.



- Unclip the upper and lower covers (5).
- Remove spacer (6) from the appliance door, rotate it through 180° and fit it on the opposite side.

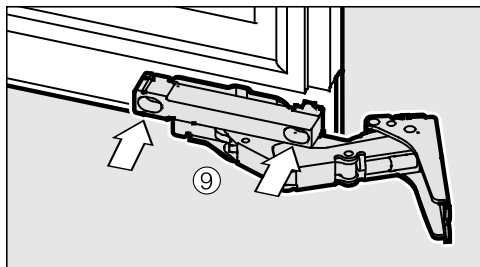


- Remove the screws (7) completely.

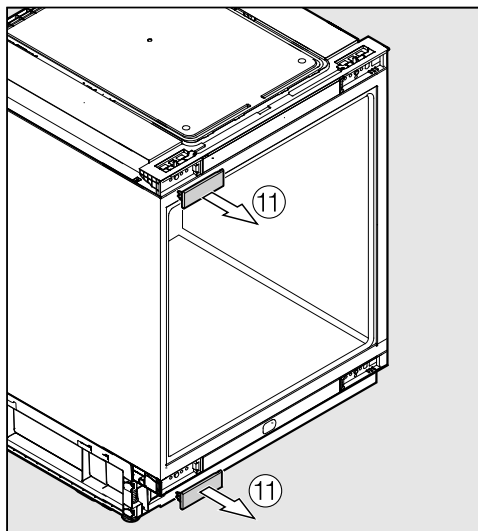
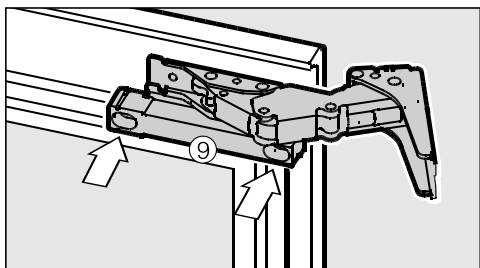


- Replace the hinges in their diagonally opposite corners (8).

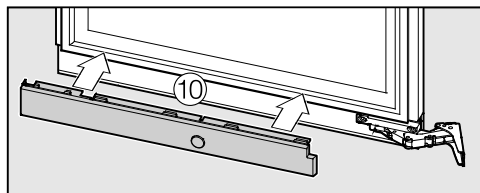
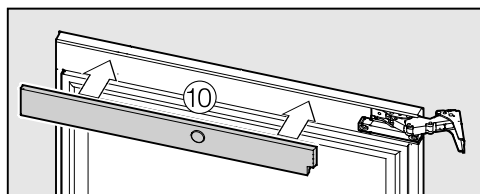
Installation



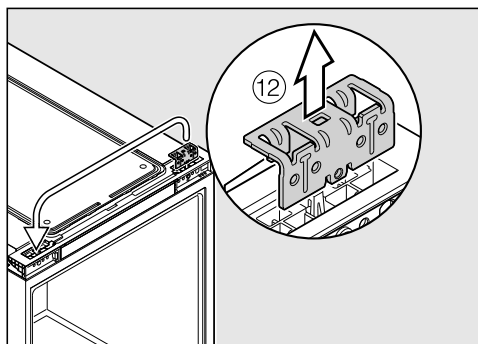
■ Tighten screws ⑨ again.



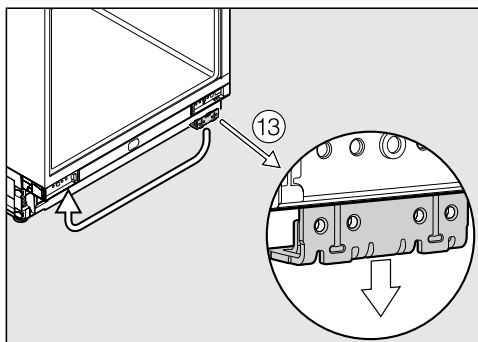
■ Remove covers ⑪.



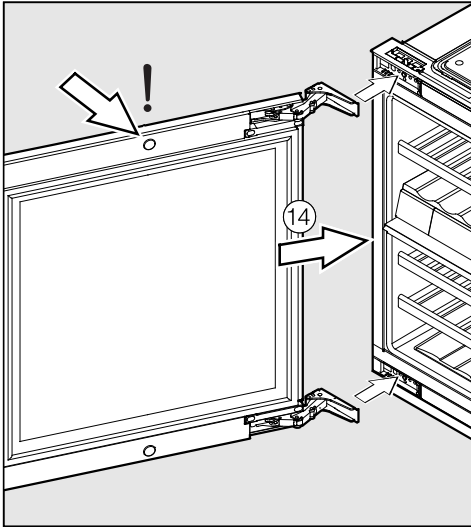
■ Clip the covers ⑩. Make sure that the recesses on the hinges are positioned correctly.



■ Take off the upper retaining bracket and replace it on the opposite side ⑫.



- Take off the lower retaining bracket and replace it on the opposite side ⑬.



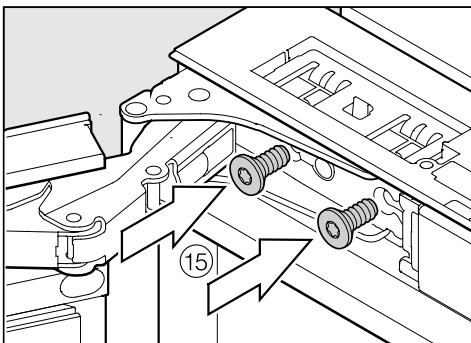
- Fit the appliance door ⑭.

Make sure that the door magnet is inserted at the top.

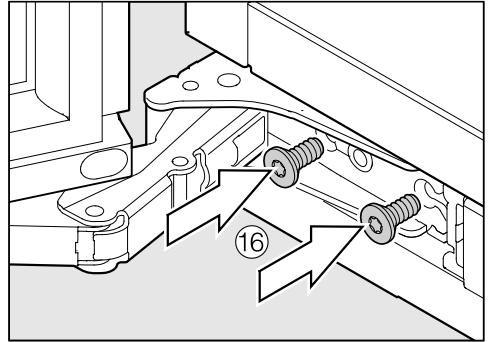


Danger of injury!

The second person must support the appliance door.



- Tighten the upper hinge ⑮.



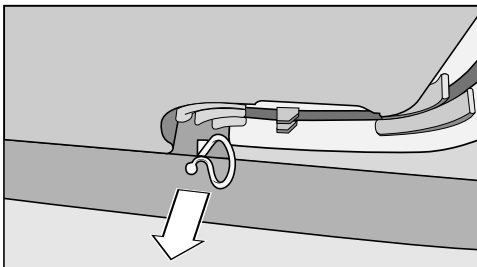
- Tighten the lower hinge ⑯.
- Now install the wine unit.

Installation

Installing the wine conditioning unit

Before installing the wine conditioning unit

- Take any accessories out of the appliance.



- Remove the cable clip from the back of the appliance (depending on model).

⚠ Risk of damage and injury from the wine unit tipping over.

There is an increased risk of injury and damage if the wine unit is installed by a single person.

Two people are required for installing the wine unit.

- Install the wine unit in a stable, solid housing unit, positioned on an even and level floor.
- The building-in niche must be horizontally and vertically aligned.
- The required ventilation gaps must be provided (see “Installation” – “Ventilation” and “Building-in dimensions”).

To install the wine unit, you will need the following tools:

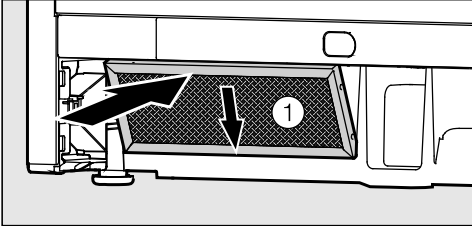
- Screwdrivers of various sizes
- A spirit level
- Tape measure

The following supplied installation components are required for installing in the niche:

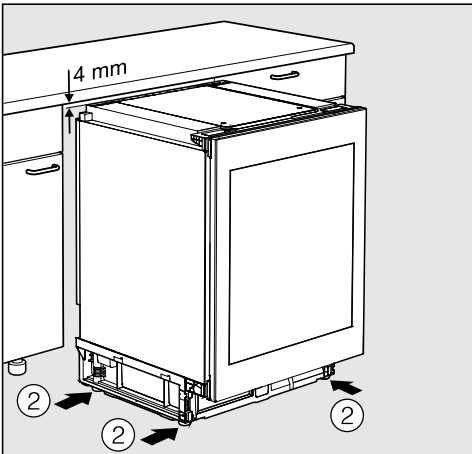
- Ventilation grille
- Air filter
- Foam block for airflow in the appliance plinth
- Screws to secure the appliance in the niche
- Spanner for adjusting the height in the niche

Setting up the wine conditioning unit

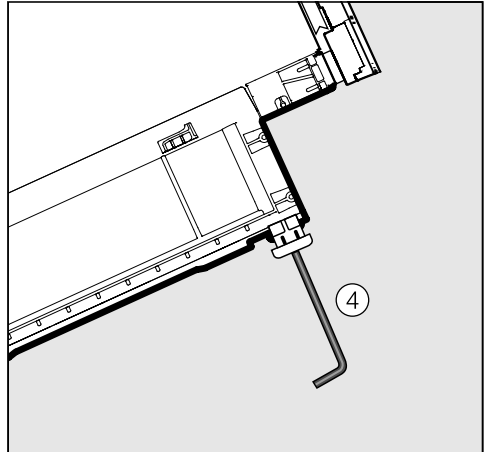
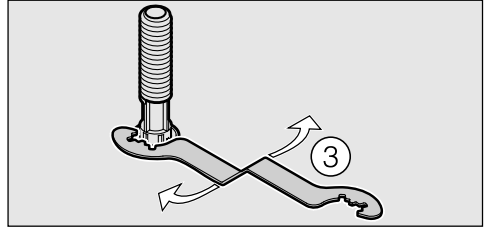
The air filter prevents soiling of the compressor compartment to ensure efficient functioning of the appliance.



- Remove the protective foil from air filter ①.
- Insert the air filter into the bottom left of the appliance plinth.
- Connect the wine conditioning unit to the mains electrical supply (see “Electrical Connection”).
- Position the wine conditioning unit in front of the niche.

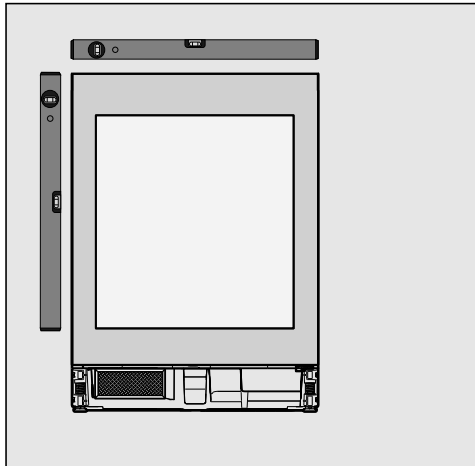


- Unscrew feet ② clockwise until the appliance is 4 mm less than the height of the niche.



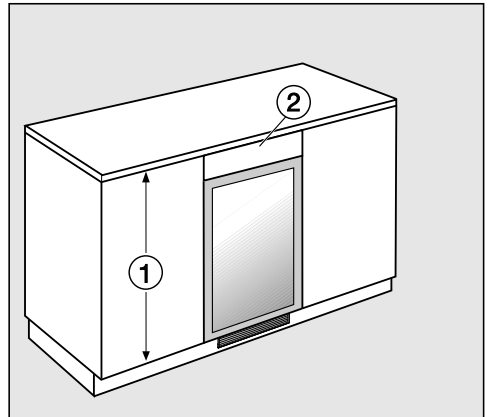
- The feet can be adjusted with the spanner supplied ③ or with an allen key ④.

Installation

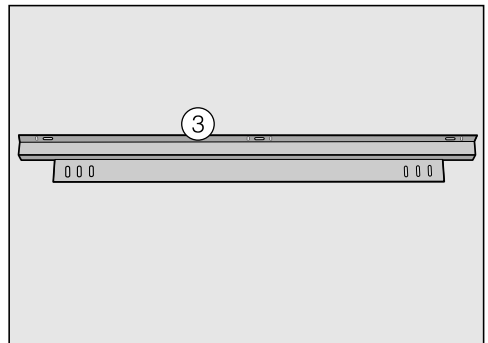


- Align the wine conditioning unit horizontally and vertically. If the wine conditioning unit is not correctly aligned it can distort.
- Check the alignment of adjacent furniture housing doors. If adjacent doors vary in height from the wine conditioning unit, see “Aligning the wine conditioning unit to taller furniture doors”.

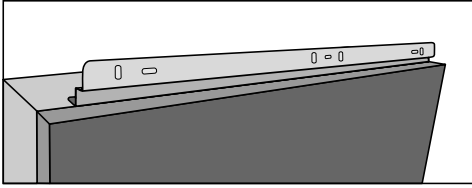
Aligning the wine conditioning unit to taller furniture doors



If adjacent furniture housing doors ① are taller than the wine conditioning unit door, the wine conditioning unit can be aligned to the adjacent furniture doors using a filler panel ②.




A bracket ③ is required to secure the filler panel, which is available from the Miele Spare Parts Department or from your dealer. The filler panel can be fitted above or below the wine conditioning unit as required.



- You can now push the wine conditioning unit into the niche.

Push the wine conditioning unit into the niche

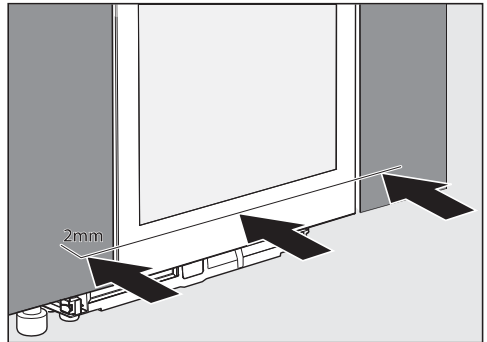
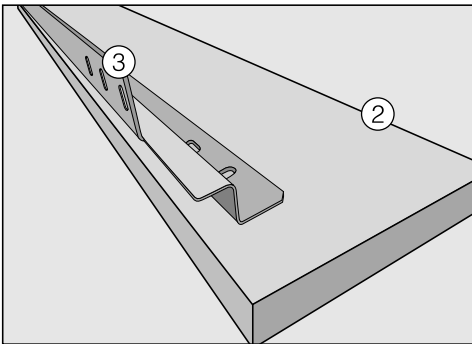
 Make sure that the mains cable does not become trapped or damaged as you push the wine conditioning unit into its niche.

To avoid damaging flooring which is susceptible to scratching, take great care when pushing the appliance into its niche.



To avoid damaging the wine conditioning unit, the ventilation grille must be positioned precisely in front of the vent outlet. If you wish to fit a plinth facing across the front of the wine conditioning unit make sure it provides adequate ventilation.

The filler panel must be made exactly to measure.

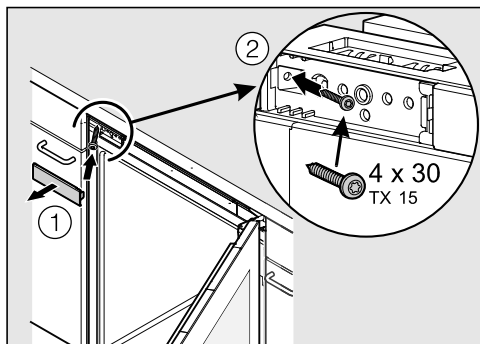


- Fix bracket ③ to the back of filler panel ②.
- Pull the wine conditioning unit as far as you need to out of the niche so that you can tilt it towards you.
- Loosely hand-screw the bracket with the filler panel to the wine conditioning unit.
- Align the filler panel to the wine conditioning unit door using the long slots to give a flush finish.
- Now tighten the screws.
- Push the wine conditioning unit into the niche until the front of the appliance door is flush with adjacent furniture doors.
- Pull the wine conditioning unit forward so that it stands proud of the furniture doors evenly by 2 mm.

Installation

Secure the wine conditioning unit in the niche

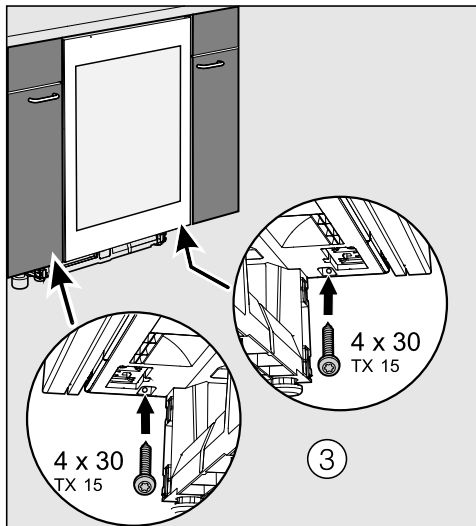
- The wine conditioning unit must stand proud of furniture doors evenly by 2 mm.
- Open the appliance door.



- Remove cover ①, and first screw the wine conditioning unit to the adjacent furniture unit at the top left ②.

The wine conditioning unit will align itself to the left side of the niche. The front of the appliance door must be flush with the furniture front.


- Refit the cover ①.



- Screw the wine conditioning unit at the bottom left and right to adjacent furniture units.
- If necessary a fourth screw can be used in the top right hand hinge to secure the wine conditioning unit.

To do so dismantle the door and then fit this extra screw.

- Close the appliance door and check that the side edges of the appliance door are aligned with the side walls of the wine conditioning unit.
- Now connect the wine conditioning unit to the electrical supply.

When the wine conditioning unit is connected to the electrical supply, the mains connection symbol  will appear in the display after a short while.



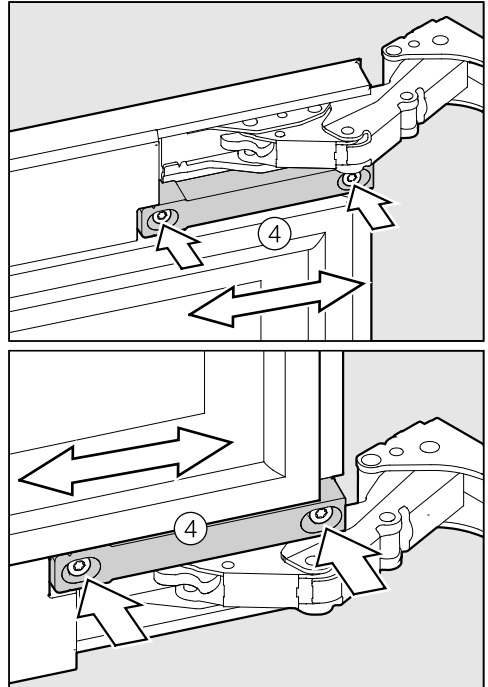
- Touch the On/Off sensor.

The mains connection symbol $\text{---}\text{C}$ will go out and the wine conditioning unit will start to cool.

The Push2open system on the wine conditioning unit is now activated (see “Door catch”).

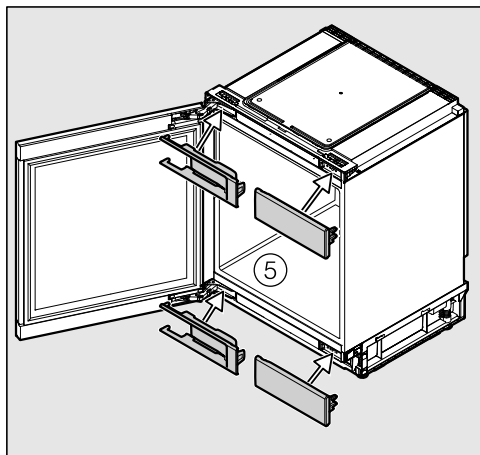
Adjusting the lateral alignment of the appliance door

If the appliance door is not aligned with the housing side walls, the appliance door can be adjusted using the screws underneath the hinges.

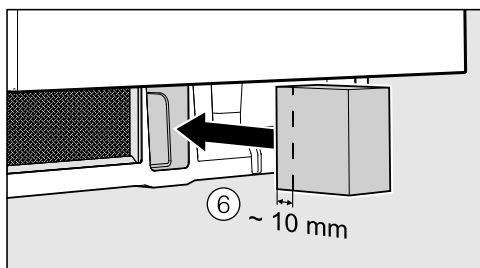


- Loosen screws ④ and align the appliance door.
- Tighten screws ④ again.

Installation



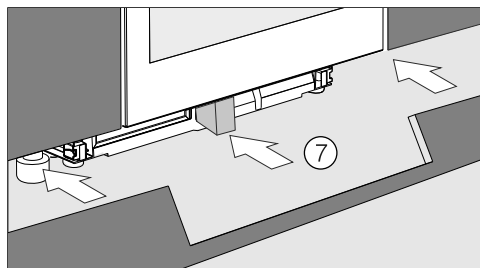
- Fit the covers.



- Insert foam block ⑥ supplied into the appliance plinth.



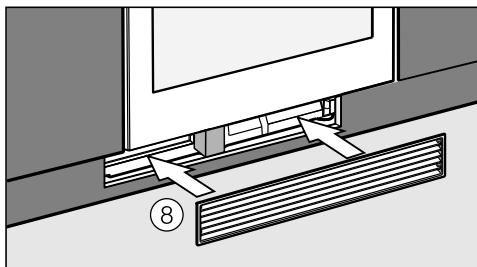
If the foam block is not fitted, the wine conditioning unit will not achieve optimum cooling and can suffer damage.



- Fit plinth facing ⑦ in position.



The cut-out in the plinth facing must be aligned centrally with the wine conditioning unit.



- Fit plinth ventilation grille ⑧. As you do so the foam block will be pushed back.




The foam block must be resting against the ventilation grille in order to separate the airflow.


Electrical connection

The wine unit is supplied with a mains cable with moulded plug ready for connection to an earthed socket.

The socket must be easily accessible after the wine unit has been installed. If the socket is not easily accessible, ensure that a suitable means of disconnection is provided on the installation side for each pole.

 Risk of fire from overheating. Connecting the refrigeration appliance to a multi-socket plug adapter or to an extension lead can overload the cable. For safety reasons, do not use an extension lead or multi-socket adapter.

The electrical installation must comply with VDE 0100 requirements.

For safety reasons, we recommend using a type  residual current device (RCD) in the assigned electrical installation for connecting the wine unit.

If the mains connection cable is damaged, it must only be replaced with a specific mains connection cable of the same type (available from the Miele Customer Service Department). For safety reasons, such replacement may only be carried out by a qualified specialist or the Miele Customer Service Department.

These operating instructions and the data plate indicate the nominal power consumption and the appropriate fuse rating. Compare this information with the data of the on-site electrical connection.

If in any doubt, consult a qualified electrician.

Temporary or permanent operation on an autonomous power supply system or a power supply system that is not synchronised with the mains power supply (e.g. island networks, back-up systems) is possible. A prerequisite for operation is that the power supply system complies with the specifications of EN 50160 or an equivalent standard. The function and operation of the protective measures provided in the domestic electrical installation and in this Miele product must also be maintained in isolated operation or in operation that is not synchronised with the mains power supply, or these measures must be replaced by equivalent measures in the installation. As described, for example, in the current version of VDE-AR-E 2510-2.

Information for dealers


Demo mode

The wine conditioning unit can be demonstrated in the showroom or at exhibitions in "Demo mode". In this mode the control panel and interior lighting are active but the compressor remains switched off, so that the appliance does not cool down.

Switching on demo mode



- Switch the wine conditioning unit off by touching the On/Off sensor.

The temperature display will go out and the mains connection symbol  will appear.





- Place your finger on the V sensor, and leave it there.



- At the same time, briefly touch the On/Off sensor (without letting go of the V sensor).



- Leave your finger on the V sensor until the  symbol appears in the display.
- Then release the V sensor.


Demo mode is activated and the  symbol appears in the display.

Switching off Demo mode


The  symbol is lit up in the display.



- Touch the settings sensor.


All symbols available for selection will appear in the display and the  symbol flashes.




- Touch the sensors for setting the temperature (V or ^) repeatedly until the  symbol flashes.



- Touch the OK sensor to confirm your selection.

7 flashes in the display (means: Demo mode is switched on) and the  symbol lights up.



- Touch the ∇ or ▲ sensor until  appears (means: Demo mode is switched off).




- Touch the OK sensor to confirm your selection.

The selected setting is applied, the

- symbol flashes.



- Touch the settings sensor to leave settings mode.
Otherwise the appliance exits settings mode automatically after approximately one minute.

Demo mode is switched off, the  symbol goes out.

United Kingdom

Miele Co. Ltd., Fairacres, Marcham Road, Abingdon, Oxon, OX14 1TW
Tel: 0330 160 6600, Internet: www.miele.co.uk, E-mail: info@miele.co.uk

Australia

Miele Australia Pty. Ltd.
ACN 005 635 398
ABN 96 005 635 398
Level 4, 141 Camberwell Road
Hawthorn East, VIC 3123
Tel: 1300 464 353
E-mail: info@miele.com.au
Internet: www.miele.com.au

China Mainland

Miele Electrical Appliances Co., Ltd.
1-3 Floor, No. 82 Shi Men Yi Road
Jing' an District
200040 Shanghai, PRC
Tel: +86 21 6157 3500
Fax: +86 21 6157 3511
E-mail: info@miele.cn
Internet: www.miele.cn

Hong Kong, China

Miele (Hong Kong) Ltd.
41/F - 4101, Manhattan Place
23 Wang Tai Road
Kowloon Bay, Hong Kong
Tel: (852) 2610 1025
Fax: (852) 3579 1404
E-mail:
customerservices@miele.com.hk
Website: www.miele.hk

India

Miele India Pvt. Ltd.
1st Floor, Copia Corporate Suites,
Commercial Plot 9, Mathura Road,
Jasola, New Delhi - 110025
E-mail: customercare@miele.in
Website: www.miele.in

Ireland

Miele Ireland Ltd.
2024 Bianconi Avenue
Citywest Business Campus
Dublin 24
Tel: (01) 461 07 10
Fax: (01) 461 07 97
E-mail: info@miele.ie
Internet: www.miele.ie

Malaysia

Miele Sdn Bhd
Suite 12-2, Level 12
Menara Sapura Kencana
Petroleum
Solaris Dutamas No. 1
Jalan Dutamas 1
50480 Kuala Lumpur, Malaysia
Phone: +603-6209-0288
Fax: +603-6205-3768

New Zealand

Miele New Zealand Limited
IRD 98 463 631
8 College Hill
Freemans Bay, Auckland 1011
Tel: 0800 464 353
E-mail: customercare@miele.co.nz
Internet: www.miele.co.nz

Singapore

Miele Pte. Ltd.
29 Media Circle
#11-04 ALICE@Mediapolis
Singapore 138565
Tel: +65 6735 1191
Fax: +65 6735 1161
E-mail: info@miele.com.sg
Internet: www.miele.sg

South Africa

Miele (Pty) Ltd.
63 Peter Place, Bryanston 2194
P.O. Box 69434, Bryanston 2021
Tel: (011) 875 9000
Fax: (011) 875 9035
E-mail: info@miele.co.za
Internet: www.miele.co.za

Thailand

Miele Appliances Ltd.
BHIRAJ TOWER at EmQuartier
43rd Floor Unit 4301-4303
689 Sukhumvit Road
North Klongton Sub-District
Vadhana District
Bangkok 10110, Thailand

United Arab Emirates

Miele Appliances Ltd.
Showroom 1, Eiffel 1 Building
Sheikh Zayed Road, Umm Al Sheif
P.O. Box 114782 - Dubai
Tel. +971 4 3044 999
Fax. +971 4 3418 852
800-MIELE (64353)
E-mail: info@miele.ae
Website: www.miele.ae

Manufacturer: Miele & Cie. KG, Carl-Miele-Straße 29, 33332 Gütersloh, Germany

KWT 6322 UG ...

en-GB, ZA

M.-Nr. 10 531 901 / 04