


## Operating and installation instructions Wine conditioning unit











It is **essential** to read these operating and installation instructions before installing and using the appliance. This prevents both personal injury and damage to the appliance.

# Contents

---

<b>Warning and Safety instructions</b> .....	5
<b>Caring for the environment</b> .....	15
<b>Installation</b> .....	16
Installation location .....	16
Climate range .....	17
Installation notes .....	17
Adjoining cabinets/units .....	17
Load-bearing capacity of the niche floor .....	18
Ventilation .....	18
Door hinging .....	18
Side-by-side .....	19
Installation dimensions .....	21
Dimensions when the appliance door is open (opening angle 90°/115°).....	23
Dimensions of the furniture front .....	24
Installing the wine conditioning unit .....	25
Before you start .....	25
Tools required .....	25
Weight of furniture front.....	26
Aligning the installation niche.....	26
Checking the installation niche .....	27
Before installation.....	27
Preparing the installation niche .....	29
Pushing the wine conditioning unit into the installation niche .....	31
Aligning the wine conditioning unit .....	33
Securing the wine conditioning unit in the installation niche .....	36
Preparing to install the furniture fronts .....	37
Securing and aligning the furniture front .....	40
Securing the covers .....	44
Fitting the door trim.....	46
Securing the plinth ventilation grille and plinth panel.....	47
Limiting the opening angle of the door .....	48
Electrical connection .....	49
<b>Saving energy</b> .....	51
<b>Guide to the appliance</b> .....	53
Main screen .....	55
Settings mode  .....	56
<b>Accessories</b> .....	58
Accessories supplied .....	58
Optional accessories .....	58

<b>Using for the first time</b> .....	59
Before using for the first time .....	59
Choosing the right Door assistant (Push2open/Pull2open) .....	59
Miele@home .....	59
Operating the wine conditioning unit .....	61
Using for the first time .....	62
<b>Switching the wine conditioning unit on and off</b> .....	63
Switching off for longer periods of time .....	64
<b>Selecting further settings</b> .....	65
Switching the Keypad lock  on or off .....	65
Carrying out a Self test  .....	66
Switching on the Door assistant  .....	66
Switching off the Door assistant  .....	68
Miele@home .....	69
Switching off Demo mode  .....	70
Resetting the settings to their factory default settings  .....	71
Switching Sabbath mode  on or off .....	73
Switching Ambient lighting  on or off .....	73
Selecting the Ambient display .....	75
<b>The ideal temperature and humidity</b> .....	76
Temperature .....	76
Isolator plates for thermal separation .....	76
Setting the temperature .....	77
Humidity .....	77
Increasing the humidity $\delta$ .....	78
<b>Door alarm</b> .....	79
<b>Storing wine bottles</b> .....	80
Wooden shelves .....	81
Moving the wooden shelves .....	81
Adjusting the wooden shelves .....	81
Labelling wooden shelves .....	82
Maximum capacity .....	82
<b>The SommelierSet</b> .....	83
Setting up the SommelierSet .....	83
<b>Automatic defrosting</b> .....	85
<b>Cleaning and care</b> .....	86
Cleaning agents .....	86

# Contents

---

Before cleaning the wine conditioning unit .....	87
Interior, accessories, and appliance door .....	87
Cleaning the door seal .....	88
Cleaning the ventilation gaps .....	88
After cleaning .....	88
<b>Problem solving guide</b> .....	89
<b>Noises</b> .....	95
<b>Service</b> .....	96
Contact in case of fault .....	96
Warranty .....	96
<b>Copyright and licences</b> .....	97

## Warning and Safety instructions


This wine conditioning unit complies with all current local and national safety requirements. However, inappropriate use can lead to personal injury and damage to property.

Read the operating and installation instructions carefully before using the wine conditioning unit. They contain important information on safety, installation, use and maintenance of the appliance. This is to protect yourself from injury, and from damaging your wine conditioning unit.

In accordance with standard IEC 60335-1, Miele expressly and strongly advises that you read and follow the instructions in "Installation", as well as in the "Warning and Safety instructions".


Miele cannot be held liable for injury or damage caused by non-compliance with these instructions.

Keep these instructions in a safe place and pass them on to any future owner.

 Danger of injury and damage to the appliance due to the wine conditioning unit tipping over.

The wine conditioning unit is very heavy and can tip forwards when the appliance door is open.

Keep the appliance door shut until the wine conditioning unit has been built in and secured in its building-in niche in accordance with these operating and installation instructions.

 Risk of injury from broken glass.

If installed at altitudes above 2000 m, there is a risk of the glass in the door breaking because of changes in air pressure. Shards of glass can cause severe injury.

# Warning and Safety instructions

---

## Correct application

▶ This appliance is designed for domestic use and for use in similar environments by guests in hotel or motel rooms, bed & breakfasts and other typical living quarters. This does not include common/shared facilities or commercial facilities within hotels, motels or bed & breakfasts. This wine conditioning unit is not suitable for outdoor use.

▶ This appliance is intended only for storing wine. Any other usage is not permitted.

▶ This wine conditioning unit is not suitable for storing and keeping cool medicines, blood plasma, laboratory preparations or similar substances or products. Incorrect use of the wine conditioning unit for such purposes may cause deterioration of the items stored. The wine conditioning unit is also not suitable for use in areas where there is a risk of explosion.

Miele cannot be held liable for damage resulting from incorrect or improper use or operation of the appliance.

▶ This appliance is not intended for use by persons (including children) with reduced physical, sensory or mental capabilities or lack of experience and knowledge, unless they have been given supervision and instruction concerning its use by a person responsible for their safety.

They may only use the appliance unsupervised if its operation has been clearly explained to them and they are able to use it safely and are able to understand and recognise the possible dangers caused by incorrect operation.

### Safety with children

- ▶ Young children must not be allowed to use this appliance.
- ▶ Older children may only use the wine conditioning unit if its operation has been clearly explained to them and they are able to use it safely. They must be able to understand and recognise the possible dangers of misuse.
- ▶ Cleaning work may only be carried out by older children under the supervision of an adult.
- ▶ Children should be supervised in the vicinity of the wine conditioning unit. Never allow children to play with the wine conditioning unit.
- ▶ The wine conditioning unit door hinges can cause injury. Keep children away at all times.
- ▶ Danger of suffocation! Children may be able to wrap themselves in packing material (e.g. foil) or pull it over their head with the risk of suffocation. Keep packaging material away from children.

# Warning and Safety instructions

---

## Technical safety

► The refrigerant circuit has been checked for leaks. The wine conditioning unit complies with all current local and national safety requirements.



► This wine conditioning unit contains the coolant Isobutane (R600a), a natural gas which is environmentally friendly. Although it is flammable, it does not damage the ozone layer and has a lower greenhouse effect than some other refrigerants.

The use of this refrigerant has, however, led to a slight increase in the noise level of the appliance. In addition to the noise of the compressor, you might be able to hear the refrigerant flowing around the system. Unfortunately, this cannot be avoided, but it does not affect the performance of the wine conditioning unit.

When transporting and installing the wine conditioning unit, ensure that no parts of the cooling circuit are damaged. Splashes of refrigerant can damage the eyes.

In the event of any damage:

- Avoid naked flames or anything which creates a spark.
- Disconnect the wine conditioning unit from the mains electricity supply.
- Ventilate the room in which the wine conditioning unit is located for several minutes.
- Call Miele.



## Warning and Safety instructions

---

▶ The more coolant there is in a wine conditioning unit, the larger the room should be in which it is installed. In the event of a leakage, if the appliance is in a small room, there is the danger of a combustible gas/air mixture building up. For every 8 g of coolant, at least 1 m<sup>3</sup> of room space is required. The amount of coolant in the wine conditioning unit is stated on the data plate inside the appliance.

▶ Ensure that the connection data on the wine conditioning unit's data plate (fuse rating, frequency and voltage) match the electricity supply to prevent damage to the wine conditioning unit. Compare this before connecting the appliance to the mains electricity.

If in any doubt, consult a qualified electrician.

▶ The electrical safety of this wine conditioning unit can only be guaranteed when continuity is complete between it and an effective earthing system. It is most important that this basic safety requirement is present.

If in doubt, the electrical installation should be checked by a qualified electrician.

▶ Temporary or permanent operation with a self-sufficient or non-mains synchronous energy supply system (e.g. isolated networks, back-up systems) is possible. A requirement for the operation is that the energy supply system complies with all current local and national requirements that apply to stand-alone, solar and/or battery systems.

The protective measures provided in the installation and in this Miele product must also be assured in their function and operation in isolated operation or in non-mains synchronous operation, or replaced with equivalent measures in the installation.

▶ The socket must be easily accessible so that the wine conditioning unit can be quickly disconnected from the electrical supply in case of an emergency.

## Warning and Safety instructions

---

- ▶ If the electrical connection cable supplied is damaged, it must only be replaced by an original spare part to prevent a hazard for the user. Miele can only guarantee the safety of the appliance when original Miele spare parts are used.
- ▶ Multi-socket adapters and extension leads do not guarantee the required safety of the appliance (e.g. danger of overheating). Do not use these to connect the wine conditioning unit to the mains electricity supply.
- ▶ If moisture gets into electrical components or into the mains connection cable, it could cause a short circuit. Therefore, do not operate this wine conditioning unit in areas which are exposed to moisture (e.g. in a garage or utility room).
- ▶ This wine conditioning unit must not be installed and operated in mobile installations (e.g. on a ship).
- ▶ Damage to the wine conditioning unit can compromise your safety. Before using the wine conditioning unit, check it for any visible damage. Never use a damaged wine conditioning unit.
- ▶ For safety reasons, this wine conditioning unit may only be used when it has been built in.
- ▶ During installation, maintenance and repair work, the wine conditioning unit must be completely disconnected from the mains electricity supply. It is only completely isolated from the electricity supply when:
  - the mains circuit breaker is switched off, or
  - the screw-out fuse is removed (in countries where this is applicable), or
  - it is switched off at the wall socket and the plug is withdrawn from the socket, or it is switched off at the isolator. Pull on the plug and not the cable when disconnecting it from the power supply.

## Warning and Safety instructions

---

- ▶ Repairs and other work by unqualified persons could be dangerous. Maintenance work and repairs to electrical appliances must only be carried out by a Miele authorised technician.
- ▶ The manufacturer's warranty will be invalidated if the appliance is not repaired by a Miele approved service technician.
- ▶ Faulty components must only be replaced with genuine Miele original spare parts. Miele can only guarantee the safety standards of the appliance when Miele spare parts are used.
- ▶ This wine conditioning unit is supplied with a special lamp to cope with particular conditions (e.g. temperature, moisture, chemical resistance, abrasion resistance and vibration). This lamp must only be used for the purpose for which it is intended. The lamp is not suitable for room lighting. Replacement lamps may only be fitted by a qualified electrician or a Miele authorised technician.

### Correct use

- ▶ The wine conditioning unit is designed for use within specific ambient temperatures (climate range). Do not use it in ambient temperatures for which it is not designed. The climate range is stated on the data plate inside the wine conditioning unit. Installing it in a room with too low an ambient temperature, e.g. a garage, can lead to the compressor switching off for longer periods so that the wine conditioning unit cannot maintain the required temperature.
- ▶ To ensure proper air flow in and out of the appliance, the ventilation gaps in the appliance and built-in structure must not be covered or blocked in any way. This would also increase the energy consumption and could cause damage to the appliance.
- ▶ If the wine conditioning unit is used for storing food which contains fat or oil, make sure that it does not come into contact with plastic components. Any spillages of oil or fat could cause stress cracks to the plastic and cause it to break or split.

## Warning and Safety instructions

---

- ▶ Risk of fire and explosion! Do not store explosive materials in the wine conditioning unit or any products containing propellants (e.g. spray cans). Electrical components can cause flammable mixes of gases to ignite.
- ▶ Danger of explosion! Do not operate any electrical appliances inside the wine conditioning unit. Danger of sparking and explosion.
- ▶ In areas which may be subject to infestation by cockroaches or other vermin, pay particular attention to keeping the appliance and its surroundings clean at all times. Any damage caused by cockroaches or other vermin will not be covered by the warranty.

### **Accessories and spare parts**

- ▶ Only use original Miele accessories. Using spare parts or accessories from other manufacturers will invalidate the warranty, and Miele cannot accept liability.
- ▶ Miele will guarantee to supply functional spare parts for a minimum of 10 years and up to 15 years following the discontinuation of your wine unit.

## Cleaning and care

- ▶ Do not use any oils or grease on the door seals, as these will cause the seals to deteriorate and become porous with time.
- ▶ Warning. Do not use any mechanical tools or other types of aid which are not recommended by the manufacturer to accelerate the defrosting process.
- ▶ The steam from a steam cleaning appliance could reach electrical components and cause a short circuit.  
Do not use a steam cleaning appliance to clean this appliance.
- ▶ Sharp edged objects will damage the evaporator, causing irreversible damage to the wine conditioning unit. Therefore, do not use sharp objects to:
  - remove layers of ice.
  - remove label residues, for example.

## Transport

- ▶ Always transport the wine conditioning unit upright and in its packaging to avoid it being damaged.
- ▶ Risk of injury and damage! The wine conditioning unit is very heavy and must be transported by two people.

## Disposal of your old appliance

- ▶ Children playing could become trapped in the wine conditioning unit and could suffocate.
  - Remove the appliance door.
  - Leave the wooden shelves in the wine conditioning unit so children cannot climb inside.
  - If your old wine conditioning unit has a door lock, destroy it. This way you will prevent the risk of playing children accidentally locking themselves in and endangering their lives.
- ▶ Risk of electric shock!

## Warning and Safety instructions

---

- Cut the power plug off the mains connection cable.
- Cut the mains connection cable off the old appliance.
- ▶ Dispose of everything separately from the old appliance.
- ▶ During and after disposal, make sure that the wine conditioning unit is not placed near petrol or other flammable gases and liquids.

### ▶ Risk of fire due to escaping oil or refrigerant!

The refrigerant and oil inside the appliance are flammable. In high enough concentrations, escaping refrigerant or oil may ignite if they come into contact with an external heat source.

During disposal, make sure that the cooling circuit is not damaged in order to prevent refrigerant and oil escaping in an uncontrolled manner (see the data plate for details of the refrigerant).

- ▶ Splashes of coolant can damage the eyes. Be careful not to damage any part of the pipework whilst awaiting disposal, e.g. by
  - puncturing the refrigerant channels in the condenser,
  - bending any pipework, or
  - scratching the surface coating.

### Symbol on the compressor (depending on model)

This information is only relevant for recycling. There is no risk during normal operation.



- ▶ The oil in the compressor can be fatal if swallowed or if it penetrates the airways.

## Disposal of the packing material

The transport and protective packaging has been selected from materials which are environmentally friendly for disposal, and can normally be recycled.

Recycling the packaging reduces the use of raw materials in the manufacturing process and also reduces the amount of waste in landfill sites. Ensure that any plastic wrappings, bags etc. are disposed of safely and kept out of the reach of babies and young children. Danger of suffocation.

## Disposing of your old appliance

Electrical and electronic appliances contain many valuable materials. They also contain certain materials, compounds, and components which were essential for their correct functioning and safety. These could be hazardous to human health and to the environment if disposed of with general waste or if handled incorrectly. Please do not, therefore, dispose of your old appliance with your household waste.



Take care not to damage your refrigeration appliance before or during disposal in an authorised, environmentally friendly manner.

This is to ensure that refrigerant in the cooling circuit and oil in the compressor is contained, and will not leak into the environment.

Please dispose of it at your local community waste collection/recycling centre for electrical and electronic appliances, or contact Miele. You are also responsible for deleting any personal data that may be stored on the appliance prior to disposal. You should remove any old batteries which are not securely enclosed by the appliance and remove any lamps without destroying them, where this is possible. These must be taken to a suitable collection point where they can be handed in free of charge. Please ensure that your old appliance presents no danger to children while being stored awaiting disposal.

# Installation

---

## Installation location

This appliance should be installed in a dry, well-ventilated room.

When deciding on the installation location, please bear in mind that the energy consumption increases if the wine conditioning unit is installed near a heater, a cooker or another appliance that gives off heat. Direct sunlight should also be avoided.

The higher the room temperature, the longer the compressor runs and the higher the energy consumption of the wine conditioning unit is.

When installing the wine conditioning unit, please note the following:

- The mains socket must not be located directly behind the appliance and should be easily accessible.
- The plug and mains connection cable must not touch the rear of the wine conditioning unit as they could be damaged by vibrations from the appliance.
- Other appliances should not be plugged into a socket located directly behind this wine conditioning unit.
- Do not locate multiple portable socket-outlets or portable power supplies at the rear of the appliance.
- When positioning the appliance, ensure the mains connection cable is not trapped or damaged.

If installation near a heat source is unavoidable, observe the following minimum distances between the appliance and the heat source:

- at least 3 cm to electric or gas stoves
- at least 30 cm to oil or coal stoves.

If it is not possible to observe these minimum distances, an isolation plate must be installed between the wine conditioning unit and the heat source.




## Climate range

The wine conditioning unit is designed for use within specific ambient temperatures (climate range). Do not use it in ambient temperatures for which it is not designed. The climate range is stated on the data plate inside the wine conditioning unit.

Climate range	Ambient room temperature
SN	+10 °C to +32 °C
N	+16 °C to +32 °C
ST	+16 °C to +38 °C
T	+16 °C to +43 °C


A lower room temperature leads to the compressor switching off for longer periods. This can cause the internal temperature in the wine conditioning unit to rise with the risk of wine deteriorating and going off.

 Risk of damage due to high humidity.

In environments with high humidity, condensation can build up on the external wine conditioning unit panels, which can cause corrosion. Install the wine conditioning unit with sufficient ventilation in a dry and/or air-conditioned room.

After installation, make sure that the appliance door closes properly, the ventilation gaps are not covered and that the wine conditioning unit has been installed in accordance with these operating and installation instructions.

## Installation notes

 Risk of damage and injury from the wine conditioning unit tipping over.

The wine conditioning unit is very heavy and can tip forwards when the appliance door is open.

Keep the appliance door shut until the wine conditioning unit has been built in and secured in its building-in niche in accordance with these operating and installation instructions.

Due to its weight and size, the wine conditioning unit must be installed by two people.

## Adjoining cabinets/units

The wine conditioning unit is screwed to the adjoining cabinets/units to the side and above. For this reason, it is essential that all cabinets/units are fixed to the ground or wall.

# Installation

---

## Load-bearing capacity of the niche floor

To ensure the safe installation of the wine conditioning unit and to guarantee its correct functioning, the floor of the niche where the appliance is to be installed must be smooth and even.


It must be made from strong, rigid material.

Because the wine conditioning unit is extremely heavy when fully loaded, it is essential that the floor it stands on is able to bear its weight. If necessary, seek the advice of an architect or construction expert.

When fully loaded, the weight of the wine conditioning unit is approx.:

KWT 26x2 Vi	674 kg
KWT 26x2 ViS	679 kg

## Ventilation

 Risk of fire and damage due to insufficient ventilation.

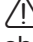
If the wine conditioning unit is not ventilated sufficiently, the compressor will run more frequently and for longer periods.

This will result in increased energy consumption and a higher operating temperature of the compressor. This, in turn, can result in damage to the compressor.

Please ensure that there is adequate ventilation around the wine conditioning unit.

It is essential to observe the required ventilation gaps. The ventilation gaps must not be covered or blocked in any way.

## Door hinging

 Risk of damage and injury when changing the door hinge.

Changing the door hinge single-handedly can cause damage to the appliance and injury.

The wine conditioning unit is supplied with fixed hinges. Under no circumstances should you attempt to change the door hinging yourself.

If you need to change the door hinges to the other side, please contact Miele.

## Side-by-side

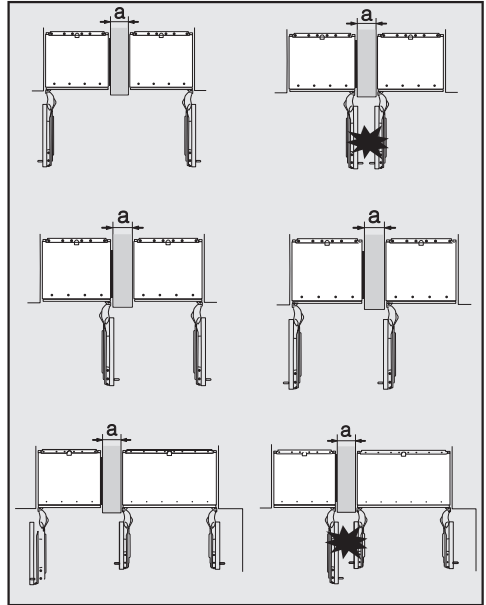
This wine conditioning unit can be installed side by side with another wine conditioning unit or refrigeration appliance. The following overview will show you which side-by-side installation options you have with your wine conditioning unit.

Depending on the installation situation, you may need the side-by-side installation kit for side-by-side installation (see "Accessories - Optional accessories").

Instructions for installing appliances side by side can be found in the side-by-side installation kit installation instructions.

### . . . with partition wall

The wall (**a**) between the side-by-side wine conditioning units/refrigeration appliances must be **at least 16 mm** thick.



If the door hinges of the appliances are next to each other, you must take into account the thickness of the furniture fronts and door handles so that the appliance doors do not collide and become damaged if they are opened at the same time.

The wine conditioning units/refrigeration appliances are secured individually in their building-in niche using the supplied installation material.

If the partition wall (**a**) is **thinner than 160 mm**, you will need the side panel heater from the side-by-side installation kit to prevent condensation from forming and any resulting damage.

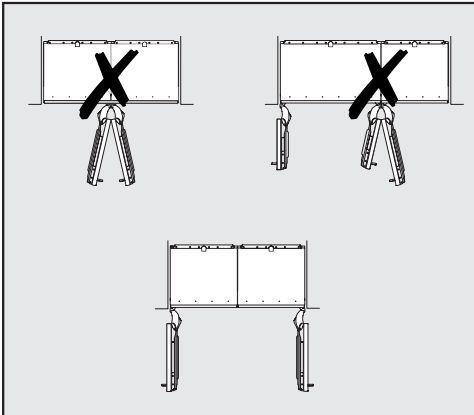
# Installation

---

When planning building-in niches, please note that the niche into which the appliance with the side panel heater is installed must be **4 mm** wider (see “Installation – Installation dimensions”).

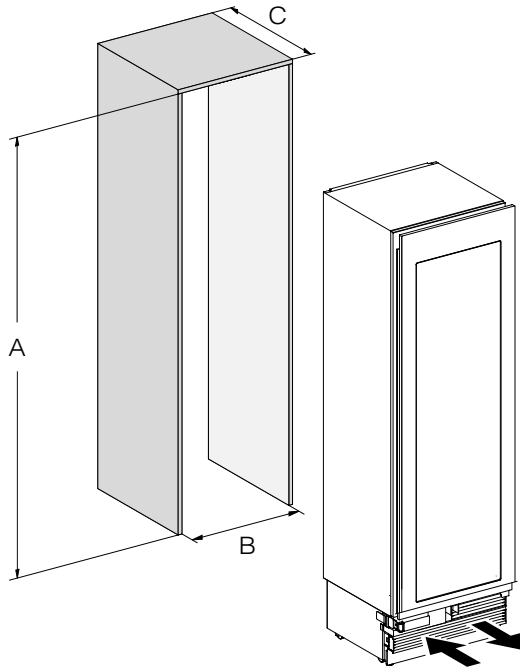
If the partition wall **(a)** is **thicker than 160 mm**, you do not need the side-by-side installation kit, nor the side panel heater.

## . . . without partition wall



If the wine conditioning units/ refrigeration appliances are to be installed next to each other without a partition wall between them, they will need to be joined together with the side-by-side installation kit. In addition, you must install the side panel heater to prevent condensation from forming and any resulting damage.

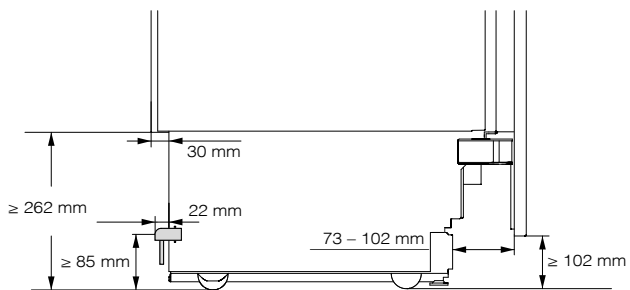
## Installation dimensions



A	B	C
2134 – 2164 mm	610 mm	610 mm + furniture front (19–38 mm)

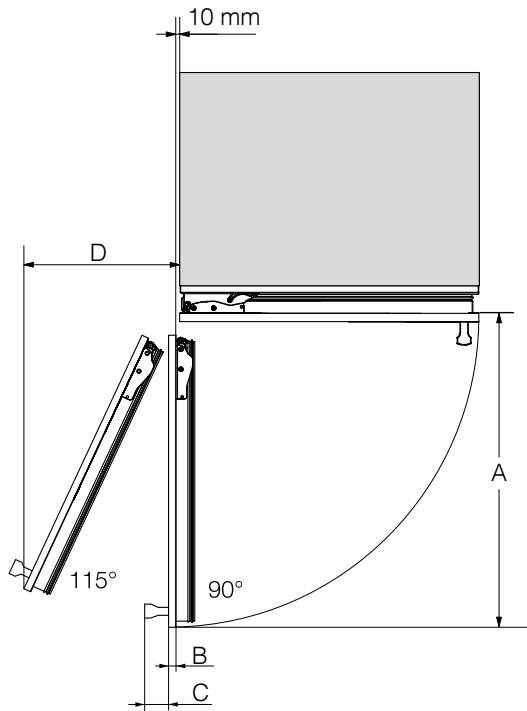
# Installation

---



Side view

## Dimensions when the appliance door is open (opening angle 90°/115°)



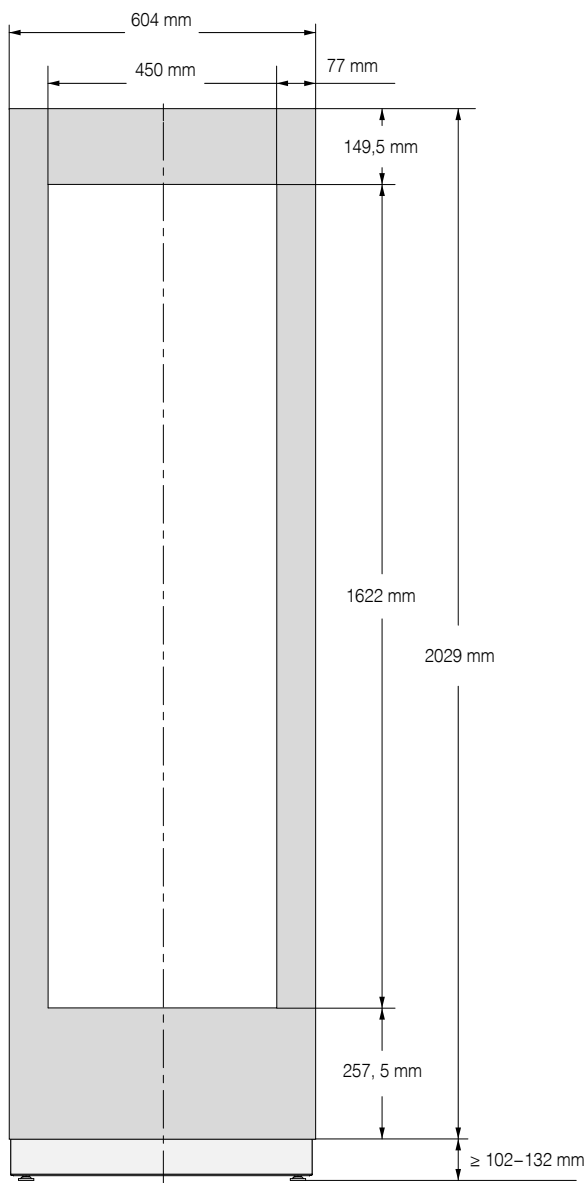
A	B*	C*	D (with a furniture front of 19 mm)
677 mm	Furniture front (19–38 mm)	Door handle	296 mm

\* The dimensions of the furniture front and the door handle vary depending on the design of the kitchen.

# Installation

---

## Dimensions of the furniture front






## Installing the wine conditioning unit

### Before you start ...

It is essential to read these operating and installation instructions carefully before starting to install the wine conditioning unit.

The wine conditioning unit should be installed by a suitably qualified installer in accordance with these operating and installation instructions. Safe operation of the wine conditioning unit is only assured if it has been installed and connected in accordance with these operating and installation instructions.

 Risk of damage and injury from the wine conditioning unit tipping over.

The wine conditioning unit is very heavy and can tip forwards when the appliance door is open.

Keep the appliance door shut until the wine conditioning unit has been built in and secured in its building-in niche in accordance with these operating and installation instructions.

Due to its weight and size, the wine conditioning unit must be installed by two people.

### Tools required

- Cordless drill
- TX 20 screwdriver
- Hammer drill
- Drill bits in various sizes, depending on materials
- Hammer
- Open-end spanner
- Ratchet wrench, attachment: 8 mm socket
- Adhesive tape
- Utility knife
- Pipe wrench
- Spirit level
- Tape measure
- Pencil
- Try square

### Other


- Step ladder
- Hand trolley

# Installation

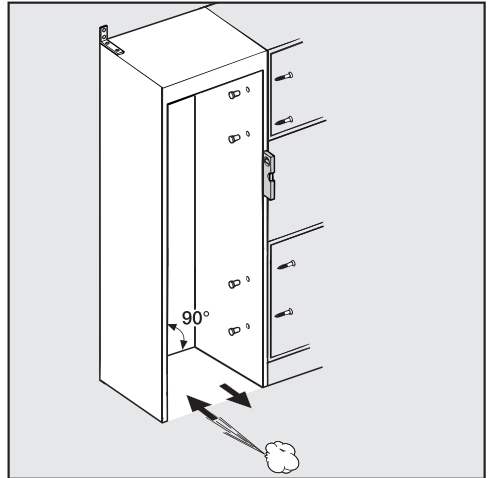
## Weight of furniture front

Before fitting a furniture front, ensure that its weight does not exceed the maximum permitted weight:

Wine conditioning unit	Max. weight of furniture front
KWT 26x2 Vi(S)	73 kg

 Risk of damage due to a furniture front that is too heavy. Fitting a furniture front which is heavier than the maximum permitted weight could damage the hinges. Among other things, this damage can lead to functional impairments. Before fitting a furniture front, ensure that its weight does not exceed the maximum permitted weight.

## Aligning the installation niche



The installation niche must be carefully aligned using a spirit level before installing the wine conditioning unit. The niche corners must be at 90° angles to each other, otherwise the furniture front will not sit straight on all 4 corners of the installation niche.

## Checking the installation niche

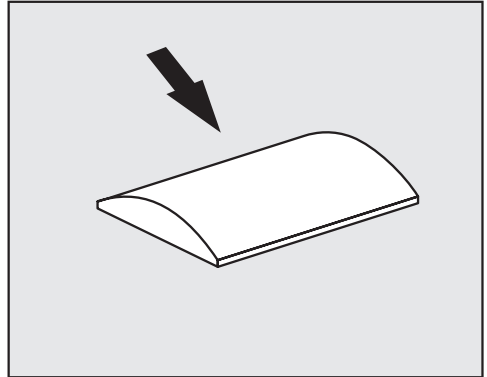
- Check the installation dimensions (see "Installation - Installation dimensions").
- Check the position of the electrical connection. The length of the mains connection cable is 3 m.

The electrical socket must not be concealed behind the appliance and must be easily accessible in an emergency.

- Check the surroundings for possible collisions (see "Installation - Dimensions when the appliance door is open").
- Only install the wine conditioning unit in stable, solid installation niches, positioned on an even and level floor.
- Also check the installation niche for the following criteria:
  - The side panels of the installation niche must be even.
  - The surrounding walls of the niche must be at least 16 mm thick.
  - The surrounding walls must be securely fixed to the floor or wall.
  - Shortened side walls must be at least 100 mm thick.

## Before installation

- Before installation, remove any accessories from the back of the appliance.



**⚠ Risk of damage due to insufficient ventilation.**  
If the wine conditioning unit is not sufficiently ventilated, this may cause bacteria to form and, in the long term, lead to damage to the outside of the wine conditioning unit and in the installation niche.  
Do not remove the spacers from the outside of the appliance under any circumstances.  
Do not compress the spacers under any circumstances.  
The spacers guarantee the necessary distance between the wine conditioning unit and the installation niche.

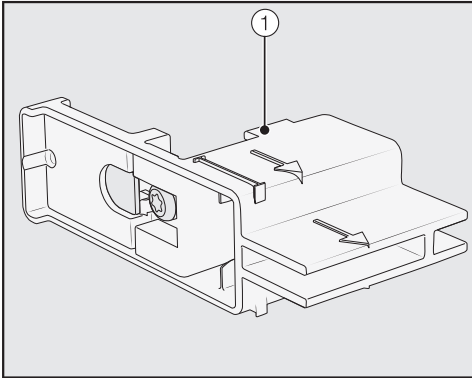
- Check the wine conditioning unit for transport damage.

Do not install the wine conditioning unit if it is damaged.


- Check that all parts at the back of the appliance are unhindered.

# Installation

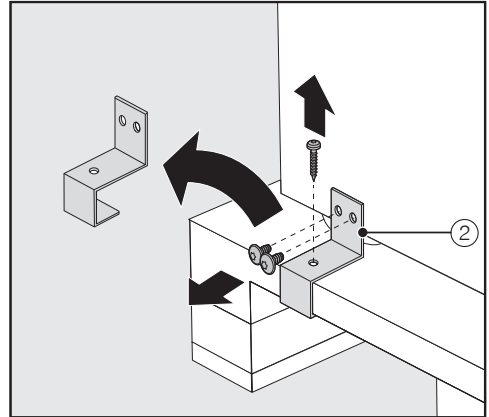
- To protect the floor when installing the appliance, secure an off-cut of flooring (e.g. linoleum) or similar material to the floor in front of the installation area.




- Do **not** remove the installation aids ① from the appliance door. These will be required later for aligning the appliance in the building-in niche.

 Risk of damage and injury from the wine conditioning unit tipping over.

As soon as you unscrew the brackets that fix the wine conditioning unit to the pallet, the appliance is no longer secured. Due to its weight and size, the wine conditioning unit must be installed by two people.




- Unscrew the fixing brackets ②.
- With the help of several people as required, carefully lift the wine conditioning unit from the pallet, starting with the back of the appliance.

 Risk of damaging the floor due to the load.

Moving the wine conditioning unit can cause damage to the floor. Move the wine conditioning unit carefully on floors that are sensitive to scratching.

As soon as you have set the wine conditioning unit upright, you can move it using the rollers on the bottom.

## Preparing the installation niche

 Risk of damage and injury from the wine conditioning unit tipping over.

The wine conditioning unit is very heavy and can tip forwards when the appliance door is open.

The installation niche must be secured to the wall behind it and/or above it with several screws. Only this can ensure that the wine conditioning unit will not tip over after being installed in the installation niche.

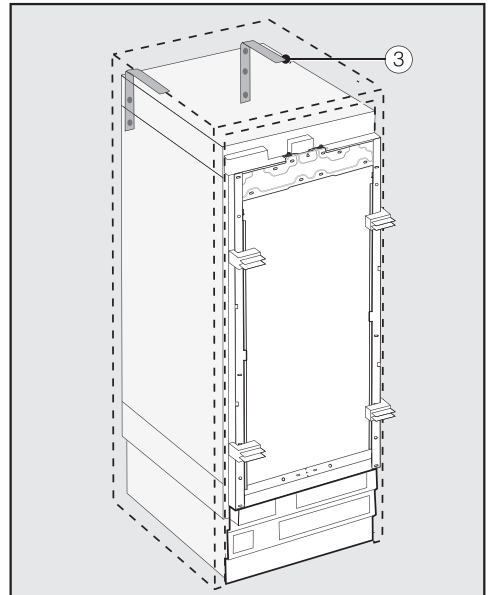
In addition, use the anti-tip brackets provided to secure the installation niche.

Parts required for installation are supplied with the wine conditioning unit. The plastic bags supplied are marked with letters for easy identification.

- Please take note of these letters during the individual installation steps and use the applicable plastic bag with the required installation material.

The anti-tip brackets prevent the wine conditioning unit from tipping.

The anti-tip brackets are also used to fix the installation niche securely to the surrounding walls.



- Use 2 anti-tip brackets ③ for each individual appliance or 4 anti-tip brackets for each (side-by-side) combination of 2 appliances.
- Position the anti-tip brackets ③ on the left and right side of the installation niche.

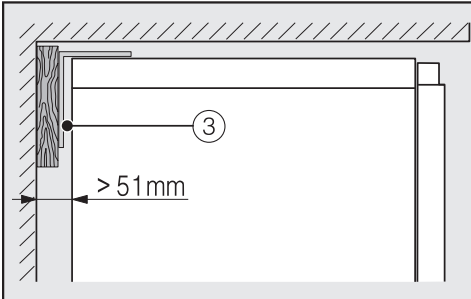
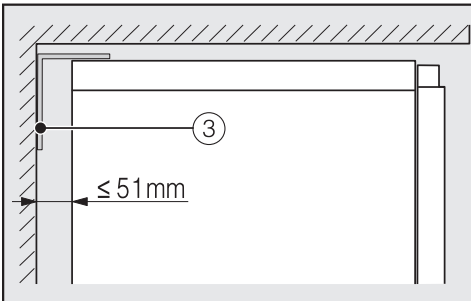
Depending on the subsequent adjustment of the feet, the anti-tip brackets are positioned 2134–2164 mm from the floor of the niche.

# Installation

**⚠** Danger of injury and damage to the appliance due to the wine conditioning unit tipping over.

If the anti-tip brackets are fixed too high up, they cannot be used to secure the wine conditioning unit.

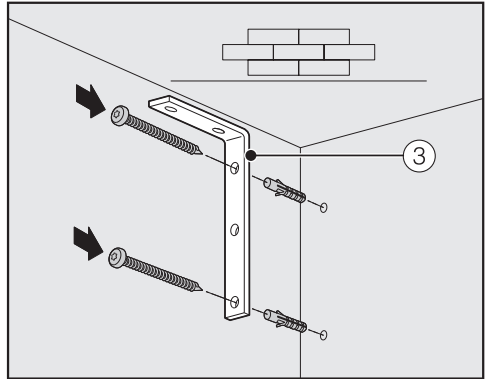
There must not be more than 8 mm between the anti-tip brackets and the wine conditioning unit.



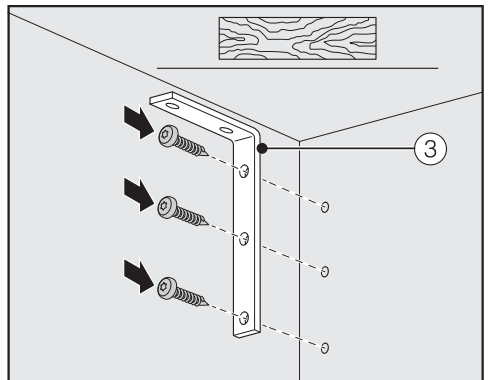
- Make sure that the gap between the wine conditioning unit's rear wall and the installation niche does not exceed 51 mm.
- Place a wooden wedge behind the anti-tip brackets ③ if necessary.
- While holding the anti-tip brackets in place, mark the drill holes on the rear wall of the installation niche.



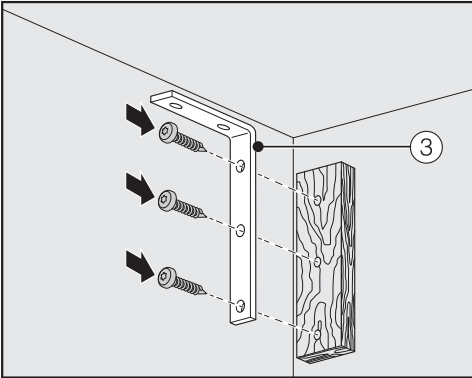
The accessory pack supplied contains fastening screws for various applications/materials.



Securing to a concrete wall



Securing to a wooden wall



Securing with a wooden wedge

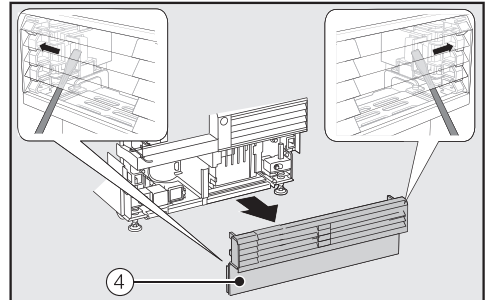
- Secure the housing unit to the wall behind it and/or above it as required using the anti-tip brackets ③.

## Pushing the wine conditioning unit into the installation niche

Take care not to damage the electrical connection whilst pushing the wine conditioning unit into the installation niche.

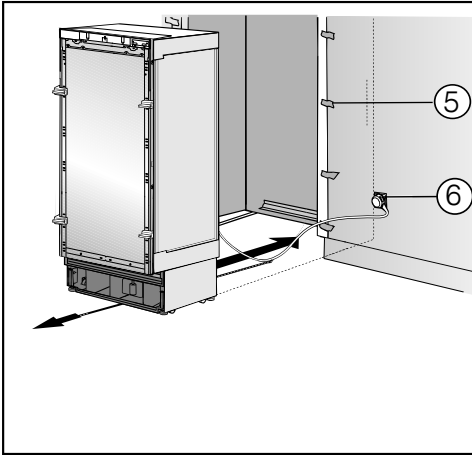
If you are installing several appliances side by side, secure the wine conditioning units/refrigeration appliances to one another now (see the installation instructions for the side-by-side installation kit).

- To ensure that the wine conditioning unit can then be aligned correctly, the plinth ventilation grille must be removed from the appliance plinth:



- Carefully guide a flat-head screwdriver through the plinth ventilation grille ④ on both sides and use it to push the internal plastic latches outwards to release the plinth ventilation grille.
- Place the plinth ventilation grille to one side.

# Installation



- Affix edge protection ⑤ to the adjacent furniture fronts.
- Insert the appliance plug connector at the back of the wine conditioning unit (see “Installation – Electrical connection”).
- Insert the plug ⑥ into the electrical socket and switch on at the socket.

The electrical socket should be close to the wine conditioning unit and easily accessible.

**⚠ Risk of damage due to electrical overload.**

If the wine conditioning unit is electrically overloaded, this can cause a short circuit and thus damage your wine conditioning unit. When you install appliances side by side, each wine conditioning unit/ refrigeration appliance must have its own separate electrical socket.

**Useful tip:** Secure the mains connection cable to prevent it becoming caught: tie a piece of string to the middle of the mains connection cable and as the wine conditioning unit is being pushed into the niche, pull the cable forwards underneath the appliance.

- Push the wine conditioning unit carefully into the installation niche.
- If the wine conditioning unit cannot be pushed into the installation niche (because the floor is uneven, for example), unscrew the rear feet slightly (see “Installation – Aligning the wine conditioning unit”) and slide the appliance into the installation niche.
- Remove the edge protection ⑤ from the adjacent furniture fronts.

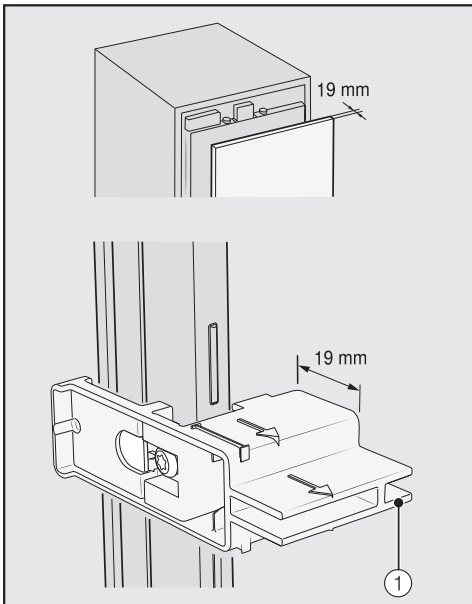


## Aligning the wine conditioning unit

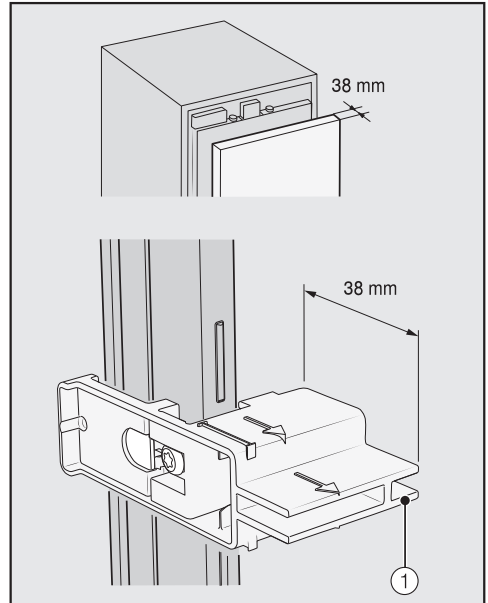
The installation aids ① on the appliance door provide assistance with the alignment of the wine conditioning unit in the installation niche.

The installation aids are suitable for a furniture front thickness of 19 mm or 38 mm.

- Align the wine conditioning unit with adjacent furniture fronts as described below.



Furniture front thickness of 19 mm



Furniture front thickness of 38 mm

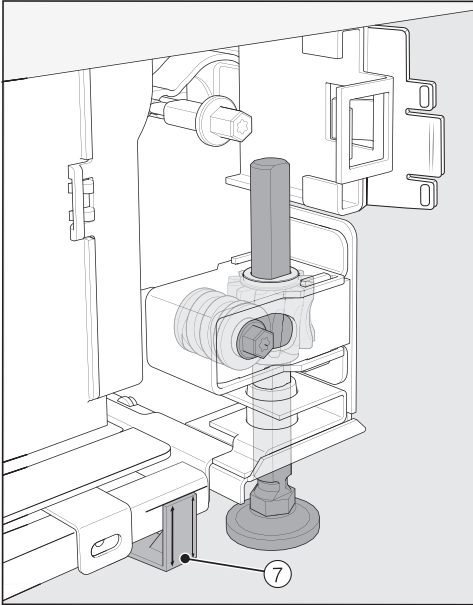
The front and rear feet are height-adjustable and can all be adjusted from the front of the appliance.

⚠ Risk of damage due to incorrect adjustment of the feet.

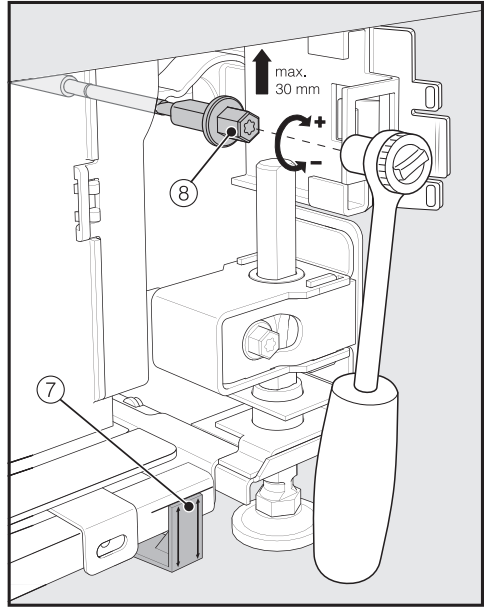
The foot adjustment can be damaged by using an electric screwdriver.

Always adjust the front and rear feet by hand.

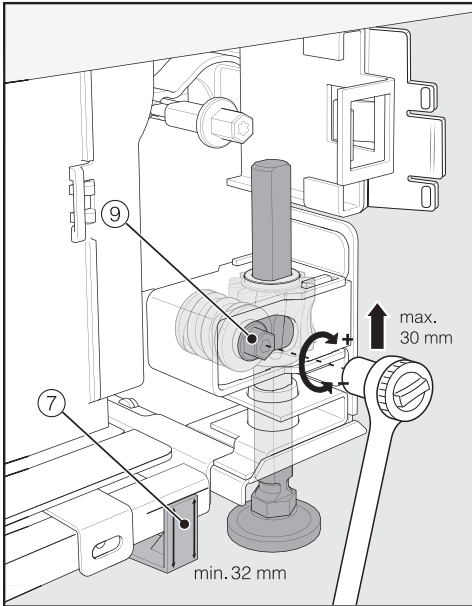
# Installation



- Position the supplied spacers ⑦ on both sides on the markings next to the adjustable feet at the front of the wine conditioning unit.

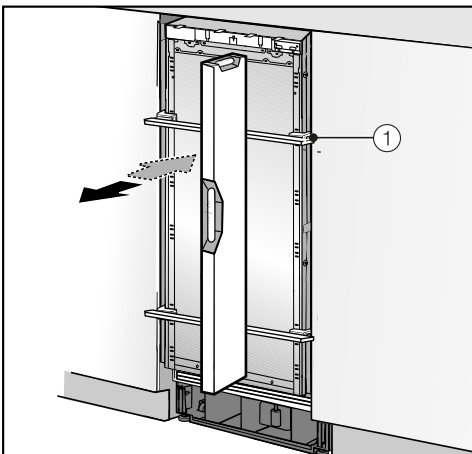


- Adjust the rear feet with a ratchet (attachment: 8 mm socket) or a TX 20 screwdriver ⑧.



- Adjust the front feet with a ratchet (attachment: 8 mm socket) or a TX 20 screwdriver (9).

**Useful tip:** Proceed carefully when adjusting the feet, alternating between the left and right feet.



- Place a spirit level across the installation aids (1) on the appliance door to check the wine conditioning unit's alignment.
- Unscrew the feet (8) and (9) on both sides at least until the marking on the base has reached the minimum specified distance of 32 mm on the spacer (7). The standard dimension of 32 mm relates to a niche height of 2134 mm.

It is important to adjust the feet to a height of at least 32 mm so that the ventilation of the wine conditioning unit via the plinth functions correctly.

**⚠ Risk of damage if the feet are adjusted too much.**

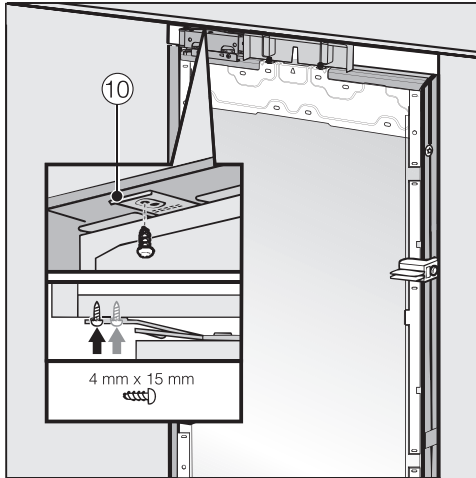
The rear adjustable feet can be damaged.

Unscrew the feet **only until** the marking on the plinth is aligned to a maximum of 62 mm (max. niche height of 2164 mm).

- Check the alignment of the wine conditioning unit again using the installation aids (1) and the spirit level.

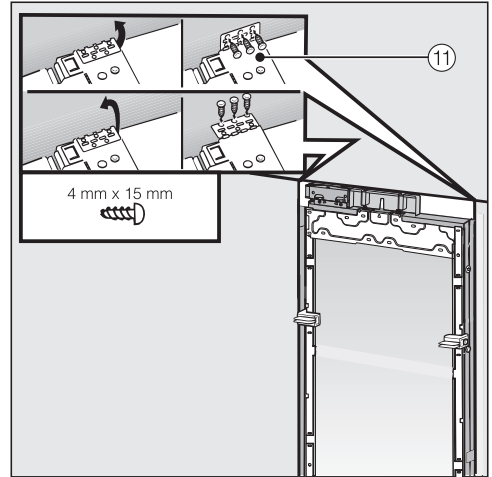
# Installation

## Securing the wine conditioning unit in the installation niche



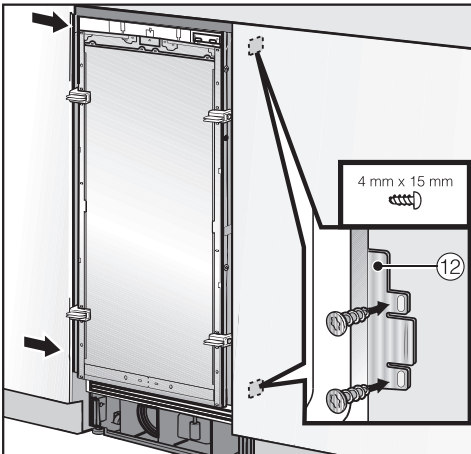
- Screw the lugs of the fixing plate ⑩ into the cabinets/units above the appliance.

If it is not possible to secure the wine conditioning unit at the top, it can be attached to the installation niche with the side fixing lugs:



- Fold out the side fixing lugs ⑪.
- Screw the side fixing lugs ⑪ to the adjacent cabinets/units.

- Open the appliance door.

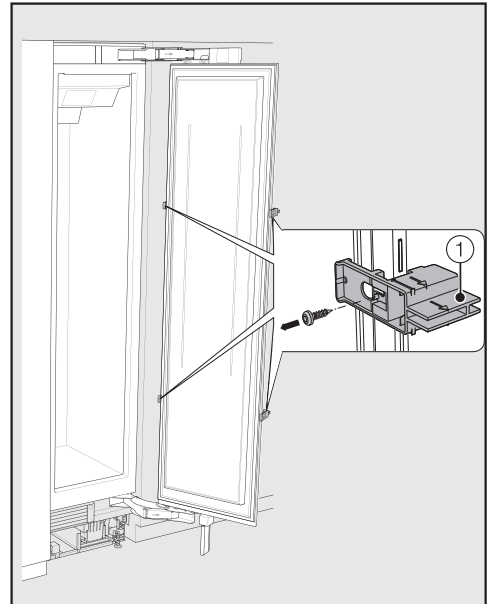


- Screw the fixing plate lugs ⑫ at the top and bottom to the cabinets/units adjacent to the appliance.

In a side-by-side combination, only the external panels of the wine conditioning units/refrigeration appliances can be secured to the adjacent cabinets/units.

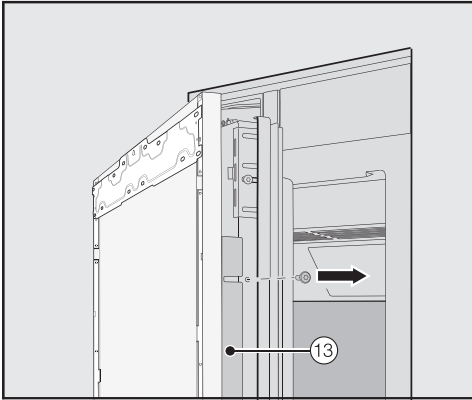
## Preparing to install the furniture fronts

- Open the appliance door as far as it will go.

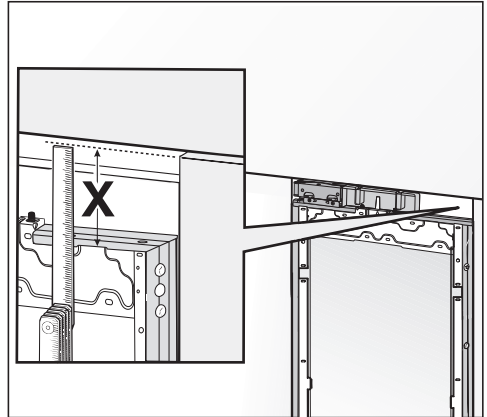


- Unscrew the installation aids ① from the appliance door.

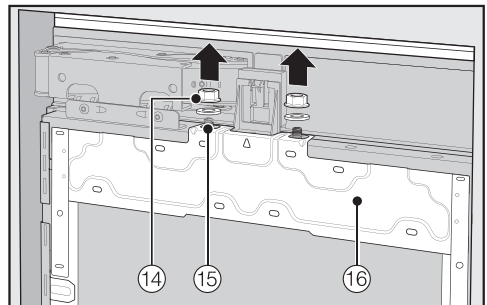
# Installation



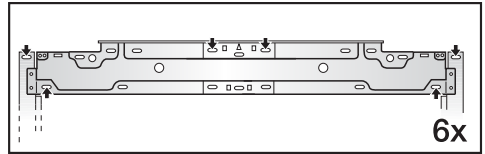
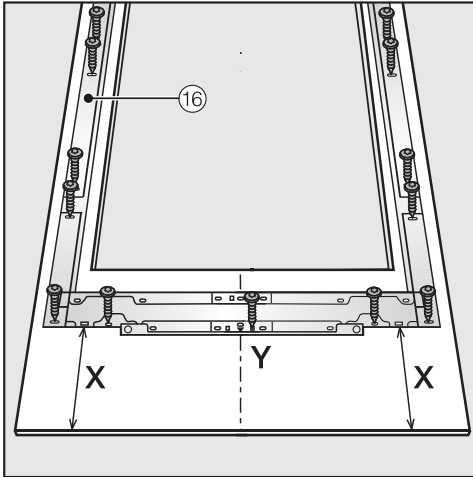
- Unscrew the angle trims (13) from both sides of the appliance door and keep the trims and screws in a safe place – they will be required later.
- Close the appliance door.



- Measure the gap X between the mounting frame and the upper edge of the adjacent furniture front.



- Remove the nuts and washers (14) from the threaded bolts (15) and store them in a safe place – they will be required later.
- Take the mounting frame (16) off the appliance door by removing it upwards.



- Secure the mounting frame ⑩ to the top of the furniture front using at least 6 screws.

The mounting frame has several different types of holes to take account of a variety of furniture fronts.

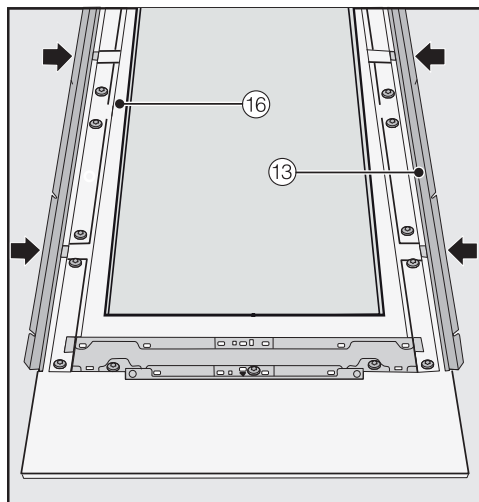
When securing the frame, always screw into the strongest part of the furniture front. Select screws which are slightly shorter than the thickness of the furniture front.

- Place the furniture front on a firm surface with the inside facing upwards (to avoid scratches, place a blanket underneath).
- Mark the distance **X** -3 mm on the inner side of the furniture front.
- Also locate and mark the centre point **Y** on the furniture front.
- Position the mounting frame ⑩ according to the markings on the furniture front.
- Pre-drill the holes.



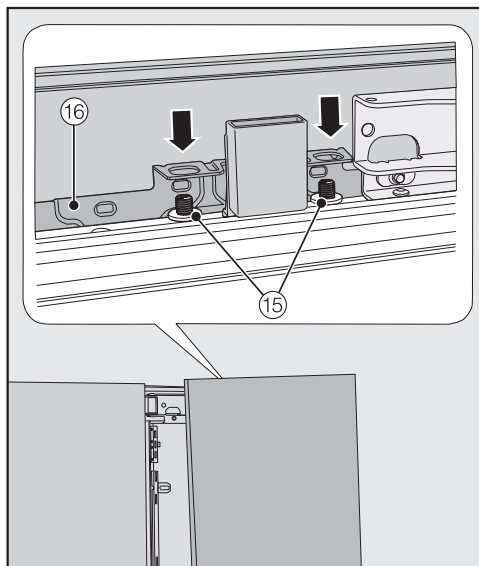
- Screw the mounting frame ⑩ to the furniture front:  
Use at least one screw for each retaining point on the mounting frame ⑩.

# Installation



- Now insert the angle trims (13) on both sides as far as they will go into the provided spaces in the mounting frame (16).

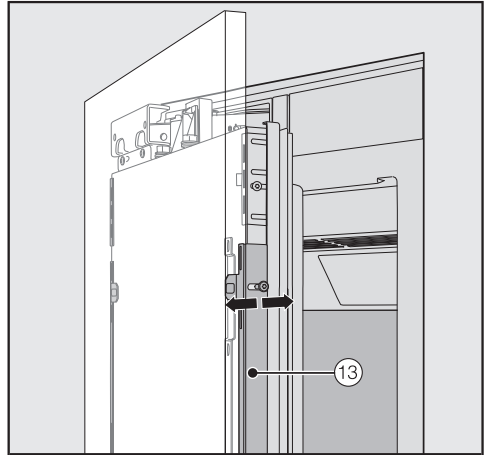
## Securing and aligning the furniture front



- Open the appliance door and hang the furniture front with its mounting frame (16) onto the threaded bolts (15).

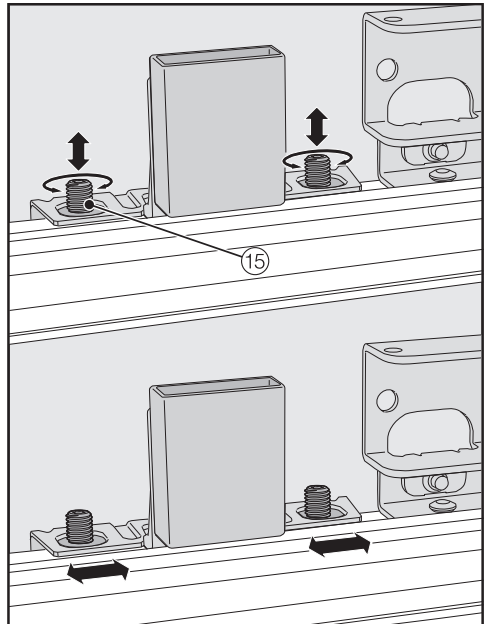
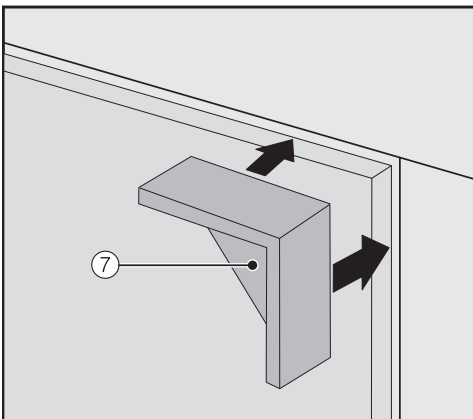


**E**



- Press the angle trims 13 into the white plastic frame on both sides and screw them on loosely at first. Spare screws are provided in the plastic bag marked with the letter E.

- Align the depth of the furniture front via the slots in the angle trims 13.

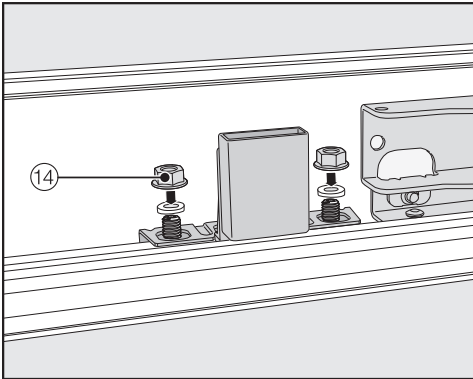


- Place the spacers 7 on top of the corners of the furniture front on both sides.
- Close the appliance door and check the distance between the door and adjacent furniture fronts again.

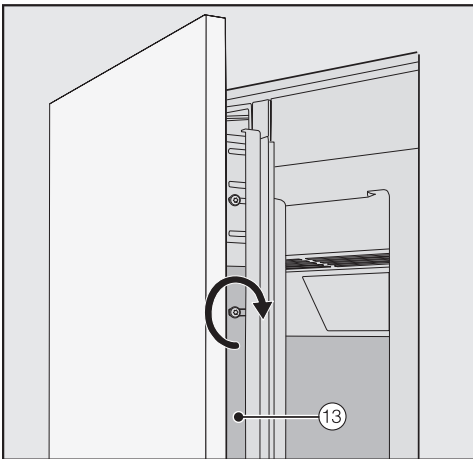
- Align the height and sides of the furniture front with the threaded bolts 15 using the TX 20 screwdriver.

# Installation

- Close the appliance door and check the distance between the door and adjacent furniture fronts again.



- Place the washers and nuts ⑭ back in position and tighten the nuts ⑭.



- Tighten the screws in the angle trims ⑬. The furniture front is now secured.
- Open the appliance door.
- Remove the spacers ⑦ from the furniture front.

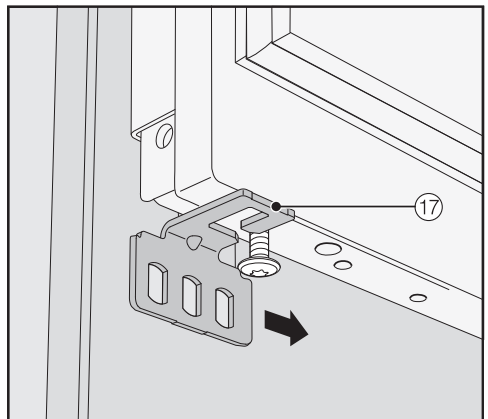
## Fitting the mounting bracket



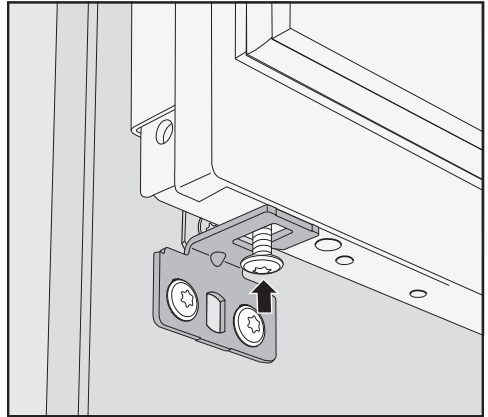
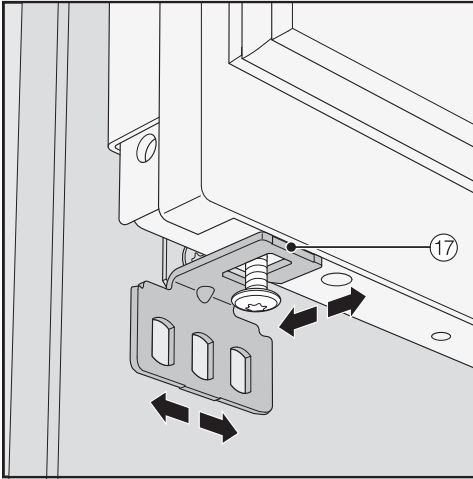
The mounting bracket is used to secure the furniture front to the bottom of the appliance door.

Do not mount the fixing brackets until the wine conditioning unit (or side-by-side combination, if applicable) has been installed and the furniture fronts have been aligned.

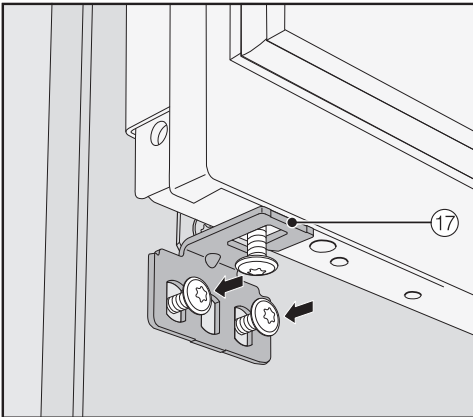
- Open the appliance door as far as it will go.



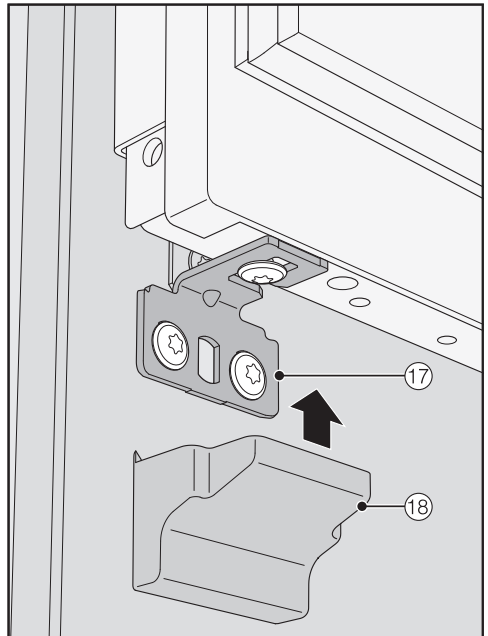
- Slide the fixing bracket ⑰ from the outside onto the screw at the bottom of the appliance door.



- Tighten the screw at the bottom of the appliance door.

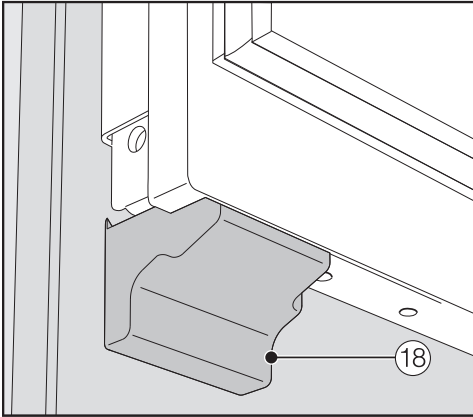


- Screw the fixing bracket 17 securely to the furniture front.



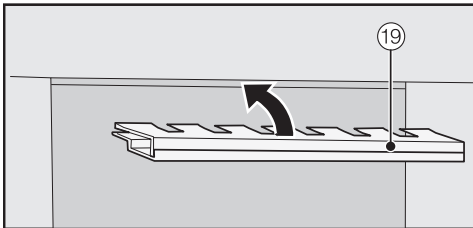
- Place the cover 18 on the fixing bracket 17.

# Installation

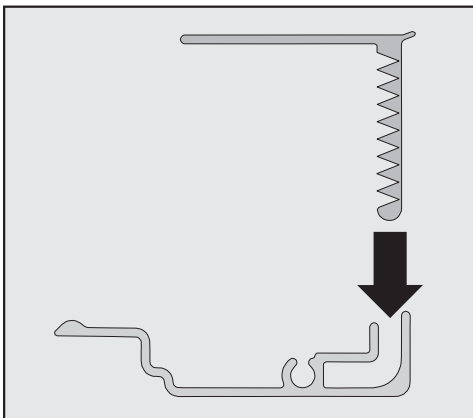


- Click the cover ⑱ onto the fixing bracket.

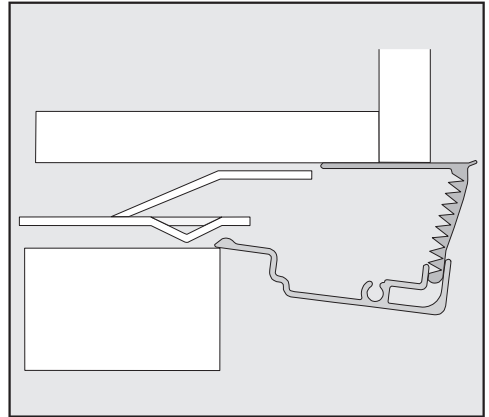
## Securing the covers



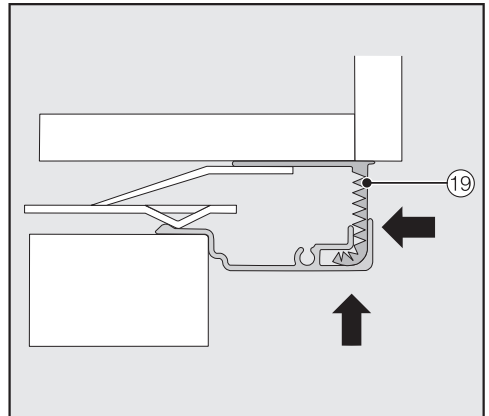
- Before the cover ⑱ can be installed in the gap above the wine conditioning unit, it must be assembled as follows:



- Insert the two parts of the cover into one another.

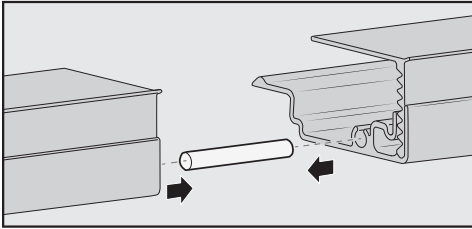


Cover viewed from the side

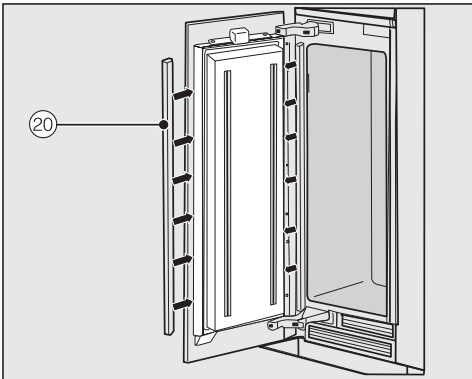


- Place the assembled cover ⑱ into the gap above the wine conditioning unit so it clicks into place. While doing so, slide both parts of the cover together as required.

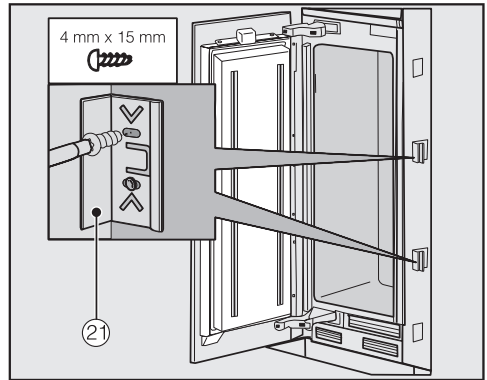
## Mounting the cover in a side-by-side combination



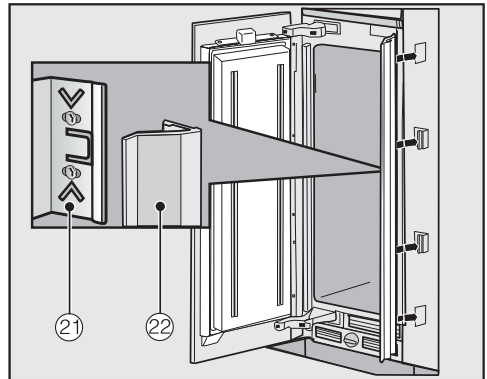
- Insert the pin (from the side-by-side installation kit) halfway into the guide in the cover for the left-hand appliance.
- Place the second cover onto the pin and press the two covers together.
- Click the two covers together into the gap above the appliances.



- Install the two plastic covers ②① on both sides of the appliance door by clicking them into the gap between the appliance door and the cabinet door, starting at the bottom and working up to the top.

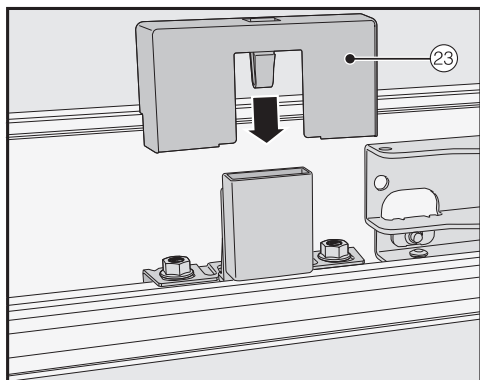


- Secure both sides of the wine conditioning unit using at least 3 clips ②① for the gap covers.



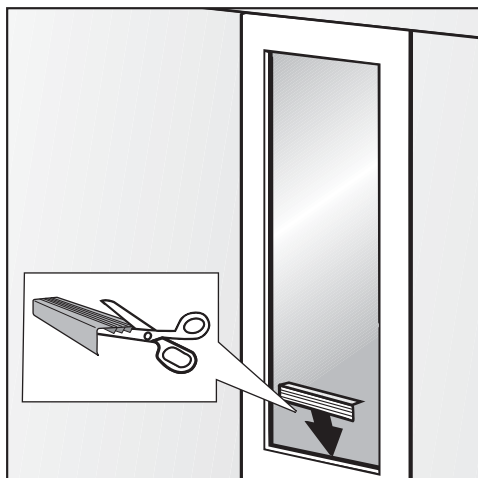
- Now attach the gap covers ②② onto the retaining clips ②① on both sides. With side-by-side combinations, the covers are only required on the outer side.

# Installation

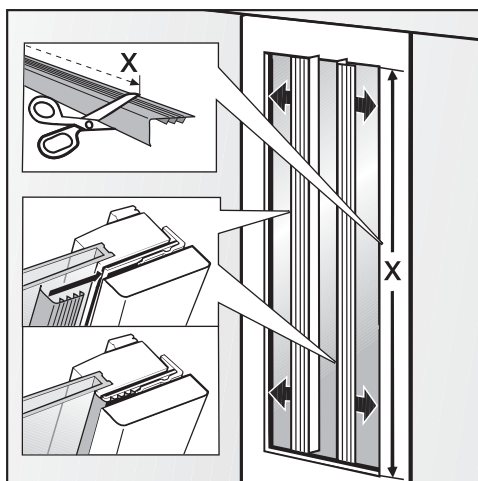


- Fit the cover ②③ onto the light contact switch.

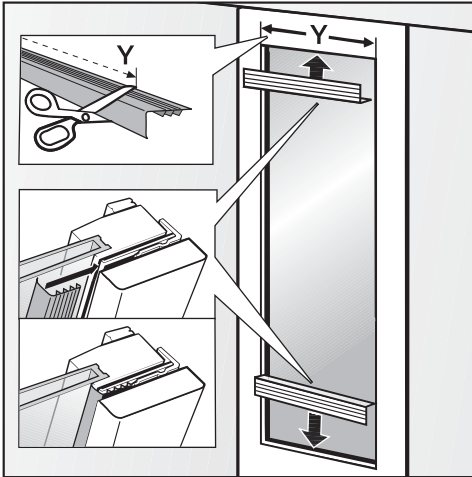
## Fitting the door trim



- Cut the door trim to the width of the cut-out in the furniture front as required. An extra length of trim is supplied to help calculate the length required.

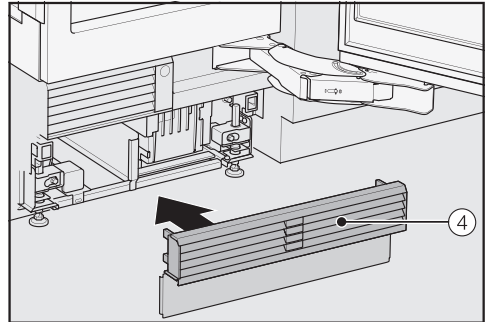


- Trim the long pieces of door trim for the right and left sides to the length required X.
- Fit the door trim into the gap between the furniture front and the glass.

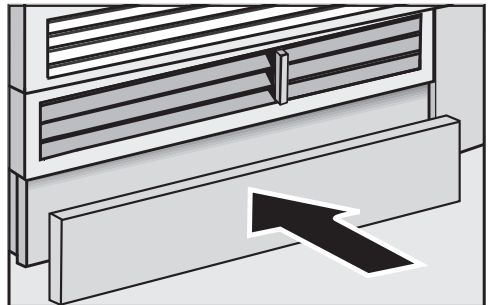


- Cut the short pieces of door trim for the top and bottom of the door to the length required Y.
- Fit the door trim into the gap between the furniture front and the glass.

## Securing the plinth ventilation grille and plinth panel



- Click the plinth ventilation grille ④ onto the bottom of the appliance plinth.



- If necessary, cut the plinth panel to the required length and height (cut along the lower edge of the plinth where it touches the floor).
- Secure the plinth panel to the bottom of the plinth ventilation grille.

# Installation

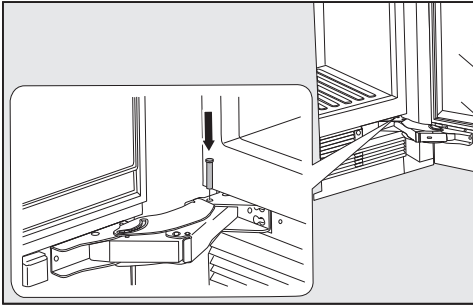
---

## Limiting the opening angle of the door



The door hinges on the wine conditioning unit are set at the factory to enable the appliance door to be opened wide.

However, if the appliance door hits an adjacent wall, for example, when it is opened, you should limit the door opening angle to 90°.



- Open the appliance door.
- Insert the pin into the lower hinge from above.


The door opening angle is now limited to 90°.



## Electrical connection

The wine conditioning unit must only be connected to an earthed socket using the mains connection cable supplied.

The socket should be easily accessible after the wine conditioning unit has been installed. If the socket is not easily accessible, ensure that a suitable means of disconnection is provided on the installation side for each pole.

 Risk of fire from overheating. Connecting the wine conditioning unit to a multi-socket adapter or to an extension lead can overload the mains connection cable. For safety reasons, do not use an extension cable or multi-socket adapter.

All electrical work must be carried out by a suitably qualified and competent person in strict accordance with national and local safety regulations.

For extra safety, it is advisable to install a suitable residual current device (RCD) with a trip current of 30 mA. Ensure power is not supplied to the appliance until after the installation has been completed.

If the mains connection cable is damaged, it must only be replaced with a specific mains connection cable of the same type (available from Miele). For safety reasons, such replacement may only be carried out by a suitably qualified and competent electrician or a Miele authorised service technician, in order to avoid a hazard.

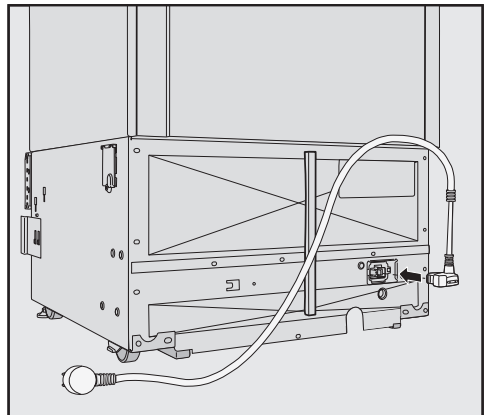
The data plate indicates the nominal power consumption and the connection data. Compare this information with the data of the on-site electrical connection.

If in any doubt, consult a qualified electrician.

Temporary or permanent operation with a self-sufficient or non-mains synchronous energy supply system (e.g. isolated networks, back-up systems) is possible. A requirement for the operation is that the energy supply system complies with all current local and national requirements that apply to stand-alone, solar and/or battery systems.

The protective measures provided in the domestic installation and in this Miele product must also be assured in their function and operation in isolated operation or in non-mains synchronous operation, or replaced with equivalent measures in the installation.

## Connecting the wine conditioning unit



# Installation

---

- Insert the appliance plug connector into the socket at the back of the wine conditioning unit.

Make sure that the plug connector has locked into position correctly.

- Insert the plug of the wine conditioning unit into the socket and switch on at the socket.

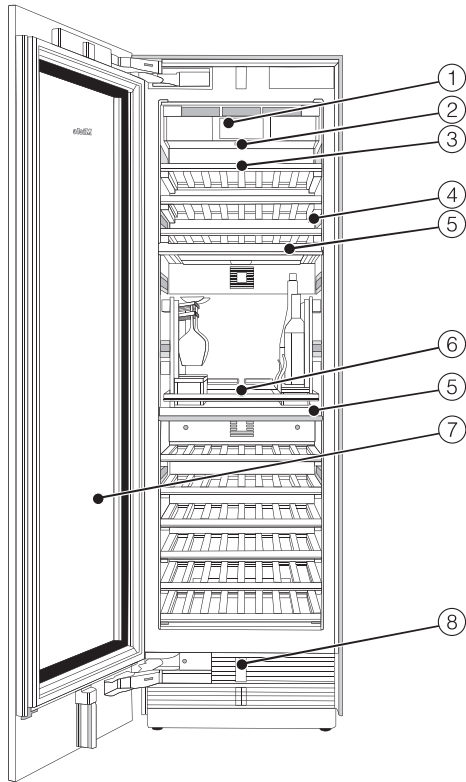
The wine conditioning unit is now connected to the electricity supply.

## Saving energy

	<b>Normal energy consumption</b>	<b>Increased energy consumption</b>
<b>Installation/ Maintenance</b>	In a ventilated room.	In an enclosed, unventilated room.
	Protected from direct sunlight.	In direct sunlight.
	Not situated near a heat source (radiator, oven).	Situated near a heat source (radiator, oven).
	Where the ideal ambient room temperature is approx. 20 °C.	Where there is a high room temperature.
	Ventilation gaps kept uncovered and free of dust.	Where the ventilation gaps are covered or dusty.
<b>Temperature settings</b>	10 to 12 °C	The lower the temperature set for the appliance, the higher the energy consumption.

# Saving energy

	<b>Normal energy consumption</b>	<b>Increased energy consumption</b>
<b>Use</b>	Wooden shelves arranged as they were when the appliance was delivered.	
	Only open the door when necessary and for as short a time as possible. Store wine bottles in an organised way.	Frequent opening of the door for long periods will cause a loss of coldness. The wine conditioning unit will try to cool down and the compressor will run for longer periods.
	Do not overfill the wooden shelves to allow air to circulate.	Poor air circulation will cause a loss of coldness.



- ① Display
- ② On/Off switch
- ③ Wooden shelves with labels
- ④ Interior lighting
- ⑤ Isolator plate for thermal separation of the wine conditioning zones
- ⑥ SommelierSet\*
- ⑦ Glass door with UV filter
- ⑧ Automatic door opening (Push2open/Pull2open)

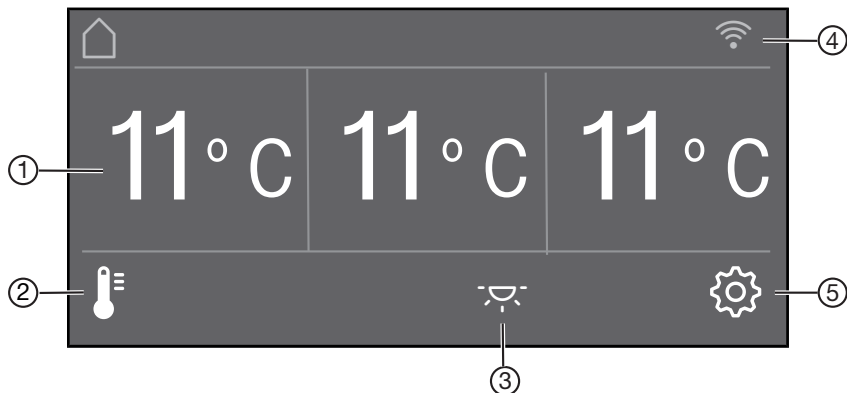
## Guide to the appliance

---

**\* The SommelierSet consists of:**

A glass holder, a bottle holder, 2 accessory boxes and a decanter plate. The SommelierSet also includes felt inserts in various sizes.

## Main screen






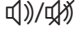




- ① Temperature display (target temperature) for the 3 wine conditioning zones
- ② 🌡️ sensor  
For setting the temperature and humidity Δ
- ③ 🌞 sensor  
For switching the interior lighting on and off when the appliance door is closed (ambient lighting)
- ④ Display for Miele@home connection status  
(only visible when the Miele@home function has been set up)
- ⑤ Settings mode sensor ⚙️  
For adjusting various functions in Settings mode

# Guide to the appliance


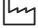



---

## Settings mode

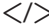
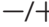


In Settings mode, you can select the following appliance functions and alter their settings:

Symbol		Function
	Language	Set
	Display brightness	Adjust (darker to brighter)
	Colour scheme	Set (black or white)
	Buzzer tones	Adjust the volume or switch off the Buzzer tones completely (e.g. for the door alarm)
	Keypad tone	Adjust the volume or switch off the Keypad tone completely
°F / °C	Temperature unit	Set (° Fahrenheit or ° Celsius)
	Keypad lock	Switch on or off (see “Selecting further settings”)
	Self test	The system restarts and is checked for faults or malfunctions (see “Selecting further settings”)
	Door assistant	(Push2open or Pull2open) Switch on or off (see “Selecting further settings”)
@	Miele@home	Set up, deactivate, or query Wi-Fi connection status (see “Selecting further settings”)



	Demo mode	Switch off * (only visible when Demo mode is switched on, see “Selecting further settings”)
	Factory default settings	Reset to factory default settings (see “Selecting further settings”)
	Ambient lighting	Choose between 5 different settings for ambient lighting (see “Selecting further settings”)
	Ambient display	Set the appearance of the display when the appliance door is closed (see “Selecting further settings”)
	Sabbath mode	Switch on or off (see “Selecting further settings”)

## Symbols in Settings mode

	Scroll in Settings mode or select a setting
	Change a setting (e.g. display brightness)
	Confirm a setting
	Exit the menu level

# Accessories

---

## Accessories supplied

### Appliance cable and plug

### Chalk pen

Use the chalk pen supplied to label the magnetic strips on the wooden shelves. By labelling the magnetic strips you will have a good overview of the types of wine being stored.

## Optional accessories

Miele has a large range of accessories and cleaning and care products which are designed for use with the wine conditioning unit.

### Miele all purpose microfibre cloth

Light soiling and fingerprints on stainless steel fronts, control panels and furniture can be easily removed with this microfibre cloth.

### Stainless steel front panel

Stainless steel front panels give your wine conditioning unit a high-quality appearance.

Handles and plinth panels are also available in a stainless steel-look.

### Side-by-side installation kit

To install two or more wine conditioning units/refrigeration appliances next to one another, you will need the side-by-side installation kit (see “Installation – Side-by-side”).

## Hinge pocket

If the door hinging needs to be changed on your wine conditioning unit, the upper plinth ventilation grille must be converted. A new hinge pocket is required in order to do this.

The door hinging must only be changed by a suitably qualified and competent person.

Optional accessories can be ordered from the Miele webshop. They can also be ordered directly from Miele (see end of this booklet for contact details).

## Before using for the first time

Allow the wine conditioning unit to stand for approx. 1 hour before connecting it to the power supply. This will prevent potential functional problems with the wine conditioning unit.

## Removing packaging material

- Remove all packaging material from the inside of the appliance.

Always remove all packaging material, including adhesive tape, **before** switching on the wine conditioning unit. The adhesive tape is difficult to remove from cold surfaces.


## Cleaning the wine conditioning unit

Please refer to the relevant instructions in "Cleaning and care".

- Clean the inside of the appliance and the accessories.

## Choosing the right Door assistant (Push2open/Pull2open)

The Door assistant helps you to open the appliance door.

You can choose between the two Door assistants Push2open and Pull2open (see "Selecting further settings - Switching on the Door assistant ").

The factory default Door assistant is Push2open.

- Select the Pull2open Door assistant if your wine conditioning unit has a furniture front with a handle.
- Select the Push2open Door assistant if your wine conditioning unit has a handle-free furniture front.

## Using the SommelierSet

- "The SommelierSet" section describes how to use the SommelierSet.

## Miele@home

Your wine conditioning unit is equipped with an integrated Wi-Fi module.

Networking is deactivated at the factory.

To use this feature, you will need:

- a Wi-Fi network
- the Miele App
- a Miele user account. You can create a user account via the Miele App.

The Miele App will guide you as you connect your wine conditioning unit to your home Wi-Fi network.

## Using for the first time

---

Once your wine conditioning unit is connected to your Wi-Fi network, you can use the App to carry out the following activities, for example:

- Call up information on the operating status of your wine conditioning unit
- Change the settings on your wine conditioning unit

Connecting your wine conditioning unit to your Wi-Fi network will increase energy consumption, even when the wine conditioning unit is switched off.

Make sure that the signal of your Wi-Fi network is sufficiently strong in the place where you want to set up your wine conditioning unit.

### Availability of the Wi-Fi connection

The Wi-Fi connection shares a frequency range with other appliances (including microwave ovens and remote control toys). This may result in sporadic or even complete connection failures. Therefore, a constant availability of featured functions cannot be guaranteed.

### Miele@home availability

The ability to use the Miele App depends on the availability of the Miele@home service in your country.

The Miele@home service is not available in every country.

For information about availability, please visit [www.miele.com](http://www.miele.com).

### Miele App

You can download the Miele App from the Apple App Store® or the Google Play Store™ free of charge (only functional in selected countries).

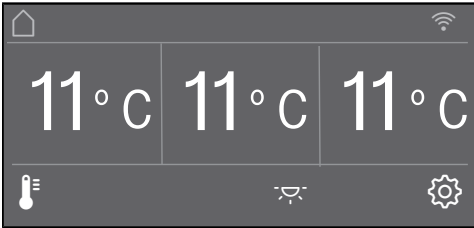


## Operating the wine conditioning unit

The touch display can be scratched by pointed or sharp objects, e.g. pens.


Only touch the display with your fingers.


If your fingers are cold, the touch display may not react.




The sensors underneath the temperature display can be **selected** directly by touch; the symbols and text in or above the temperature display can only be **displayed**.


## Settings mode

In Settings mode , you can select different wine conditioning unit functions and alter their settings to some extent (see “Selecting further settings”).

- Touch the  sensor to open Settings mode.
- Use the < and > sensors to select the function for which you wish to adjust the settings.
- Confirm your selection with *OK*.
- Adjust the settings using either the < and > sensors or the + and – sensors.
- Confirm your selection with *OK*.

The setting with the **coloured** background is always the **selected** setting; it can be confirmed directly with *OK*.

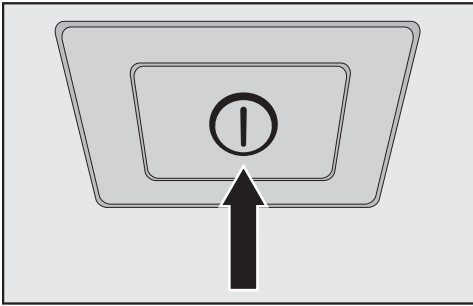
- Touch the  sensor if you wish to switch to the previous menu level or terminate the process.

Every touch of the display is confirmed by a keypad tone. You can switch off this keypad tone in Settings mode .

# Using for the first time

## Using for the first time

- Open the appliance door.





- Switch the wine conditioning unit on by pressing the On/Off switch.

The On/Off switch is located below the display.


The wine conditioning unit will start to cool and the interior lighting will come on when the appliance door is opened.


Miele will appear in the wine conditioning unit display.

- When you switch the wine conditioning unit on for the first time, you will be asked to make the following settings:
  - Set the Language (if you accidentally select the wrong Language, return to Settings mode  and use the  symbol to change the language)
  - Set the Temperature unit: °C (degrees Celsius) or °F (degrees Fahrenheit)
  - Set up Miele@home:
- Select Continue if you would like to set up Miele@home now. You will then be guided by the display and the Miele App.

As soon as your wine conditioning unit has been integrated into your Wi-Fi network, the message Connection successful will appear in your wine conditioning unit's display.

- Confirm the process with OK again.

If the Wi-Fi connection is active,  will appear in the display.

- Select Skip if you would prefer to set up Miele@home later.
- Touch the  sensor if you want to return to the previous menu level.

Set-up successful appears in the display.

- Confirm the initial set-up with OK.

The main screen will appear in the display (see "Guide to the appliance - Main screen").

You cannot cancel the initial set-up process. The only way to terminate the process is to switch off the wine conditioning unit, though the process will continue when the appliance is switched back on.

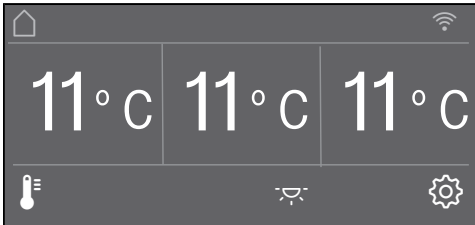
# Switching the wine conditioning unit on and off

## Switching on the wine conditioning unit

- Open the appliance door.
- Switch the wine conditioning unit on by pressing the On/Off switch.

The wine conditioning unit will start to cool and the interior lighting will come on when the appliance door is opened.

Miele will appear, followed by the main screen in the wine conditioning unit display:



**⚠ Risk of damage due to high humidity.**

In environments with high humidity, condensation can build up on the external wine conditioning unit panels. This condensation can cause corrosion and lead to damage on external appliance panels.

Install the wine conditioning unit with sufficient ventilation in a dry and/or air-conditioned room.

Do not switch the wine conditioning unit on if you are going to be away for a long period of time.

Do not leave the wine conditioning unit unattended for a long period of time while it is switched on.

## Switching off the wine conditioning unit

- Switch the wine conditioning unit off by pressing the On/Off switch.

The cooling and interior lighting are switched off.

Please note: the wine conditioning unit is not disconnected from the power supply when it is switched off with the On/Off switch.

# Switching the wine conditioning unit on and off

---

## Switching off for longer periods of time

If the wine conditioning unit is not going to be used for a longer period of time:


- Switch the wine conditioning unit off.
- Switch off at the wall and withdraw the plug from the socket, or switch off the mains circuit breaker.
- Clean the wine conditioning unit.
- Leave the door ajar to air the wine conditioning unit and avoid odours building up inside it.


If, during a long absence, the wine conditioning unit is switched off, but not cleaned, and the door is left shut, there is a risk of mould building up inside the appliance.


The wine conditioning unit must be cleaned.




## Selecting further settings


In Settings mode , you can select different wine conditioning unit functions and alter their settings to some extent, allowing you to adjust the appliance to suit your requirements.

Only the functions in Settings mode  that require further explanation are described below.

The door alarm and other warnings are automatically disabled when the appliance is in Settings mode .

### Switching the Keypad lock on or off

Switch Keypad lock on if you wish to protect your wine conditioning unit from unwanted temperature changes or other unintentional adjustments in Settings mode .

- In Settings mode , use the < and > sensors to select Keypad lock and touch OK to confirm your selection.
- Use the < and > sensors to switch the sensor lock On or Off and select OK to confirm your selection.
- The sensor lock will not be activated until you close the appliance door.

Nothing will appear in the display to indicate that the sensor lock is switched on.

The message Press OK for 6 seconds to unlock will appear in the display if you select a sensor while the sensor lock is switched on.



- Follow the instructions in the display.

The display is unlocked briefly so you can adjust the settings as required. Closing the appliance door will reactivate the sensor lock.

# Selecting further settings

## Carrying out a Self test


Perform a Self test if you are concerned that your wine conditioning unit is not working properly and want to check if it is experiencing any problems.

- In Settings mode , use the < and > sensors to select Self test and touch OK to confirm your selection.
- Touch the  sensor if you wish to terminate the process.

The Self test starts and the wine conditioning unit is checked for any faults or malfunctions.

- If the Self test does not detect any faults or malfunctions, the display will show the message System restart.
- If the Self test does discover any faults or malfunctions, they are indicated as fault messages in the display.

An alarm tone also sounds.

- If you find the alarm disruptive, you can switch it off early by touching the  sensor.
- Make a note of the fault message(s) displayed.
- Contact customer service and inform them of the fault message(s) in the display.
- Confirm the message with OK.

System restart appears in the display.

The wine conditioning unit briefly switches off and then back on automatically.

Self test completed appears in the display.

- Confirm the message with OK.


The main screen will appear in the display.

## Switching on the Door assistant

You can choose between the two Door assistants Push2open and Pull2open. The factory default Door assistant is Push2open.

The Push2open Door assistant is suitable for furniture fronts without handles. The door will open automatically when you gently press against it.


The Pull2open Door assistant is suitable for furniture fronts with handles. The appliance door can be opened easily and with little effort.

 Risk of damage if the appliance door is closed prematurely. When the Door assistant is switched on, repeatedly closing the appliance door early can lead to damage or malfunctions.

Refrain from holding onto or closing the appliance door while the automatic door opening is still extended. If you have closed the appliance door despite this, leave it closed for 5 minutes. The automatic door opening will reset itself.


# Selecting further settings

## Switching on Push2open

- In Settings mode , use the < and > sensors to select Door assistant and touch OK to confirm your selection.
- Use the < and > sensors to select Mode and confirm your selection with OK.
- Use the < and > sensors to select Push2open and confirm your selection with OK.
- Touch the ↶ sensor to return to the previous menu level.


## - Adjusting the intensity

You can also adjust the intensity of the Push2open function. The lower the intensity, the less force is required when you push against the appliance door.

- In Settings mode , use the < and > sensors to select Door assistant and touch OK to confirm your selection.
- Use the < and > sensors to select Intensity and touch OK to confirm your selection.
- Use the < and > sensors to select the desired intensity (Low, Medium, High) and select OK to confirm your selection.


## - Adjusting the duration of the AutoClose function

You can also adjust the duration for how long the appliance door will remain open until it closes automatically.

- In Settings mode , use the < and > sensors to select Door assistant and touch OK to confirm your selection.
- Use the < and > sensors to select AutoClose and touch OK to confirm your selection.
- Use the + and - sensors to select the duration (5 to 30 seconds) and confirm your selection with OK.

To protect against unintentional opening: If you do not pull the appliance door open, it will close again by itself after the duration defined by you.

## Switching on Pull2open


- In Settings mode , use the < and > sensors to select Door assistant and touch OK to confirm your selection.
- Use the < and > sensors to select Mode and confirm your selection with OK.
- Use the < and > sensors to select Pull2open and confirm your selection with OK.
- Touch the ↶ sensor to return to the previous menu level.

## Selecting further settings



---

### – Adjusting the intensity

You can also adjust the intensity of the Pull2open function. The lower the intensity, the less force is required when you pull the appliance door open.

- In Settings mode , use the < and > sensors to select Door assistant and touch *OK* to confirm your selection.
- Use the < and > sensors to select Intensity and touch *OK* to confirm your selection.
- Use the < and > sensors to select the desired intensity (Low, Medium, High) and touch *OK* to confirm your selection.

### Switching off the Door assistant

- In Settings mode , use the < and > sensors to select Door assistant and confirm your selection with *OK*.
- Use the < and > sensors to select Mode and confirm your selection with *OK*.
- Use the < and > sensors to select Off and confirm your selection with *OK*.
- Touch the  sensor to return to the previous menu level.

# Selecting further settings


## Miele@home

### Setting up Miele@home

The message **Set up Miele@home** only appears if your wine conditioning unit has not yet been connected to a Wi-Fi network.

- Connect your wine conditioning unit as described in “Using for the first time”.

### Deactivating Miele@home

- In Settings mode , use the < and > sensors to select **Miele@home** and touch **OK** to confirm your selection.
- Use the < and > sensors to select **Deactivate** and confirm your selection with **OK**.

Deactivation successful appears in the display.


- Confirm the message with **OK**.

Your wine conditioning unit is now disconnected from your Wi-Fi network.

The  symbol will go out in the display.


### Activating Miele@home

If you have previously activated Miele@home and then deactivated the connection, you can reactivate the connection.


- In Settings mode , use the < and > sensors to select **Miele@home** and touch **OK** to confirm your selection.
- Use the < and > sensors to select **Activate** and confirm your selection with **OK**.

Activation successful will appear in the display.





- Confirm the message with **OK**.

If the Wi-Fi connection is active,  will appear in the display.

### Checking the Wi-Fi connection status

- In Settings mode , use the < and > sensors to select **Miele@home** and touch **OK** to confirm your selection.
- Use the < and > sensors to select **Connection status** and confirm your selection with **OK**.


Information about the Wi-Fi connection status will appear in the display:

-  connected: strong connection
-  connected: average connection
-  connected: weak connection
- : no connection

# Selecting further settings

## Setting up Miele@home again

If you have changed your Wi-Fi network, you can set up Miele@home again for your wine conditioning unit.


- In Settings mode , use the < and > sensors to select Miele@home and touch OK to confirm your selection.
- Use the < and > sensors to select Set up again and confirm your selection with OK.

Reset configuration? will appear in the display.

- Use the < and > sensors to select Yes or No and confirm your selection with OK.


## Resetting the network configuration


Reset the settings to the default settings when disposing of your wine conditioning unit, selling it, or putting a used wine conditioning unit into operation. This will reset the network configuration so that all personal data is deleted from the wine conditioning unit. This will also ensure that a previous owner is no longer able to access the wine conditioning unit.

- Reset the settings of the wine conditioning unit as described in the chapter “Resetting the settings to their factory default settings 

## Switching off Demo mode

Demo mode allows the wine conditioning unit to be presented in the showroom **without the cooling system being switched on**. Do not activate this setting for domestic use.

If Demo mode has been switched on at the factory,  will appear in the display.

- In Settings mode , use the < and > sensors to select Demo mode and touch OK to confirm your selection.

Press OK for 4 seconds to deactivate appears in the display.

- Follow the instructions in the display.

The countdown Demo mode will deactivate in seconds will appear in the display.

Demo mode deactivated. Appliance cooling switched on appears in the display.


- Confirm the message with OK.

The main screen will appear in the display.

### Resetting the settings to their factory default settings

You can reset the wine conditioning unit's settings to their default settings.

Reset the settings to the default settings when disposing of your wine conditioning unit, selling it, or putting a used wine conditioning unit into operation. This will reset the network configuration so that all personal data is deleted from the wine conditioning unit. This will also ensure that a previous owner is no longer able to access the wine conditioning unit.

- In Settings mode , use the < and > sensors to select Factory default settings and touch *OK* to confirm your selection.
- Use the < and > sensors to select *Reset* and confirm your selection with *OK*.

After a short while, *Settings reset* will appear in the display.




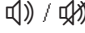












- Confirm the message with *OK*.

The initial set-up process restarts (see "Using for the first time - Before using for the first time").

The wine conditioning unit's settings will be reset to the following values:

## Selecting further settings

---

Function	Factory default setting
 Language	English
 Display brightness	middle value (4 of 7 segments)
 Colour scheme	black
 /  Buzzer tones	middle value (4 of 7 segments)
 /  Keypad tone	middle value (4 of 7 segments)
°C/°F Temperature unit	° Celsius
 /  Keypad lock	switched off
 Door assistant	Push2open
 Miele@home	switched off
 Ambient lighting	Ambient 2
 Ambient display	Temperature display
 Sabbath mode	switched off
 Humidity	Not increased
 Temperature in the wine conditioning zones	11 °C





### Switching Sabbath mode on or off

The wine conditioning unit offers a Sabbath mode for the purposes of religious observance.

When Sabbath mode is switched on, you cannot configure any settings on your wine conditioning unit.

Ensure that the appliance door is properly closed, as visual and audible alarms are switched off in Sabbath mode.


- In Settings mode , use the < and > sensors to select Sabbath mode and touch OK to confirm your selection.
- Use the < and > sensors to select On or Off and confirm your selection with OK.

When Sabbath mode is switched on,  will appear in the display and the display brightness will be reduced (the display does not change when the appliance door is closed).

When Sabbath mode  is switched on, the following functions are switched off:

- the Door assistant (with furniture fronts without handles, the appliance door will have to be pulled from the bottom or side)
- the lighting
- all acoustic and visual signals
- the temperature display
- The ambient lighting (if previously switched on)

You can still select:


- the sensor for Settings mode  so that Sabbath mode can be switched off.

The Sabbath mode function will switch itself off automatically after approx. 125 hours.

### Switching Ambient lighting on or off

The Ambient lighting can be switched on so your wines are on display even when the appliance door is closed. The interior lighting now remains on even when the appliance door is closed.

Each wine conditioning zone has its own light so that your wine conditioning unit is lit up to maximum effect.

- Touch the  sensor on the display so that it is highlighted in colour.
- Close the appliance door.


The interior lighting now remains on even when the appliance door is closed.

- To switch the Ambient lighting off, touch the  sensor so that it is no longer highlighted in colour.


The interior lighting is now switched off when the appliance door is closed.

# Selecting further settings

## Selecting the intensity of the Ambient lighting


You can set the intensity of the Ambient lighting in Settings mode .

You can also choose the wine conditioning zones in which the Ambient lighting should be switched on.

- In Settings mode , use the < and > sensors to select Ambient lighting and touch *OK* to confirm your selection.
- Use the < and > sensors to select the correct setting (Ambience 1 – Ambience 5):
  - Ambience 1 – Ambience 3:  
Weak to strong lighting in all wine conditioning zones
  - Ambience 4:  
Only the lighting in the wine conditioning zone in the centre is switched on
  - Ambience 5:  
The lighting in the wine conditioning zone in the centre is stronger than the lighting in the top and bottom wine conditioning zones.
- Confirm your selection with *OK*.
- Close the appliance door.

The Ambient lighting is now set to the desired setting.

Thanks to the use of LED lighting, the wine will not be adversely affected by heat or UV light.


 Danger of injury from LED lighting.

This lighting corresponds to risk group RG 2. If the cover is defective, there is a risk of eye injury.

Do not look from a close range directly into the lighting with optical instruments (e.g. magnifying glass or similar).

### Selecting the Ambient display

You can choose what the display should look like when the appliance door is closed.

- In Settings mode , use the < and > sensors to select Ambient display and touch OK to confirm your selection.
- Use the < and > sensors to select the required display settings:
  - Temperature
  - Miele logo
  - Off (display switched off completely).
- Confirm your selection with OK.

The display settings you have selected are now active when the appliance door is closed.

As soon as you open the appliance door, the main screen appears in the display in the usual way.

# The ideal temperature and humidity

Wine keeps on maturing depending on the surrounding conditions. The length of time for which wine can be kept in good condition will therefore depend not only on the temperature but also on the air quality.

The wine conditioning unit with its constant and wine specific temperature, increased air humidity and odour-free atmosphere offers the perfect conditions for storing your wine.

The wine conditioning unit also guarantees (as opposed to a refrigerator) an environment without vibrations so that the maturing process of the wine is not disturbed.

## Temperature

Wine can be stored at a temperature between 6 and 18 °C. If red and white wines are being stored together, select a temperature between 12 and 14 °C. This is suitable for both white and red wines. Red wine should be taken out and opened at least 2 hours before drinking so that the wine is exposed to oxygen and can develop its aroma.

If the storage temperature is too high (above 22 °C), wine matures too quickly, which means aromas are not able to continue to develop. On the other hand, if the storage temperature is too low (below 5 °C), the wine is unable to mature properly.

Heat causes wine to expand and cold causes it to contract. Temperature fluctuations mean stress for wine and interrupt the maturity process. It is therefore very important to ensure minimal fluctuation of temperature.

Type of wine	Recommended drinking temperature*
Light, fruity reds:	+14 °C to +16 °C
Full-bodied reds:	+18 °C
Rosé wines:	+8 °C to +10 °C
Delicate, aromatic whites:	+8 °C to +12 °C
Full-bodied or sweet whites:	+12 °C to +14 °C
Champagne, sparkling white wines, Prosecco:	+6 °C to +10 °C

\* Store the wine 1 or 2 °C cooler than the recommended drinking temperature as it warms up a little when poured into the glass.

**Useful tip:** Full-bodied reds should be opened 2-3 hours before drinking to allow the wine to breathe and develop its aroma.


**Useful tip:** We recommend removing the oxygen from opened bottles of wine to avoid loss of aroma and taste, as well as spoiling. Special devices (a wine pump with bottle stopper, for example) create a vacuum by extracting the air.

## Isolator plates for thermal separation

The wine conditioning unit has 2 fixed isolator plates that divide the interior cabinet into 3 zones, which can be conditioned in different ways. This means that you can store up to 3 different types of wine at the same time – for example, red wine, white wine and champagne.

# The ideal temperature and humidity

## Setting the temperature

- Touch the  sensor to set the temperature.

The previously set temperatures for the 3 wine conditioning zones are displayed.

- Use the < and > sensors to select the wine conditioning zone for which you want to adjust the temperature and select OK to confirm your selection.
- Use the + and - sensors to set the temperature. Keeping your finger on the sensor changes the temperature continuously.
- Confirm the temperature setting with OK or wait approx. 8 seconds after the last touch of a sensor. The temperature will then be adopted automatically.

**Useful tip:** The newly set temperature can also be confirmed and adopted by closing the appliance door.

The temperature display always shows the **required** temperature.

If you have adjusted the temperature, **wait for approx. 6 hours if the wine conditioning unit is not very full and for approx. 24 hours if the wine conditioning unit is full** before checking the temperature. It will take this long for an accurate reading to be given.

- If, after this time, the temperature is still too high or too low, adjust it again.


## Temperature range

In all three wine conditioning zones, it is possible to set temperatures between 5 °C and 20 °C.

## Humidity

In most refrigerators, the humidity is too low for wine and therefore a refrigerator is not suitable for wine storage. Higher humidity levels are necessary when storing wine to moisturise natural corks from the outside. When the humidity is too low, the natural corks dry out and the bottle is no longer tightly sealed. For this reason, wine bottles should always be stored horizontally to ensure that natural corks are also moisturised from the inside. If air gets into the bottles, this will have a negative impact on the wine.

**Useful tip:** Humidity levels can be set separately for each wine conditioning zone. Always increase the humidity level in a wine conditioning zone whenever you are using it to store wine bottles sealed with natural corks.

 Danger of damage from excess amounts of moisture.

An increase in humidity will lead to condensation on the interior cabinet walls. Condensate can cause damage such as corrosion to the wine conditioning unit.

Do **not** introduce additional moisture to air in the cabinet, e.g. by placing a dish of water in the wine conditioning unit.

# The ideal temperature and humidity

---

## Increasing the humidity $\delta$

If you have set a higher level of humidity, the fans will switch on automatically. This will distribute the humidity and the temperature evenly around the wine conditioning unit so that you can store all your wine under the same excellent conditions. The fans switch off automatically when the appliance door is opened and remain switched off for as long as it is kept open.

- Touch the  $\text{F}^\circ$  sensor for setting the temperature.
- Use the < and > sensors to select the wine conditioning zone for which you want to increase the humidity and select *OK* to confirm your selection.
- Touch the  $\delta$  sensor.

The  $\delta$  sensor will then be highlighted in colour.

- Confirm your selection with *OK* or wait approx. 8 seconds after touching the sensor for the last time. The setting will then be automatically adopted.

The humidity increases in the selected wine conditioning zone.

## Not increasing the humidity $\delta$

- Touch the  $\text{F}^\circ$  sensor for setting the temperature.
- Use the < and > sensors to select the wine conditioning zone for which you do not want to increase the humidity and select *OK* to confirm your selection.

- Touch the  $\delta$  sensor.

The  $\delta$  sensor will then no longer be highlighted in colour.

- Confirm your selection with *OK* or wait approx. 8 seconds after touching the sensor for the last time. The setting will then be automatically adopted.

The humidity decreases in the selected wine conditioning zone.

## Door alarm

An alarm will sound if the appliance door has been left open for longer than 2 minutes.

In addition, the **Close the door** message will appear in the display.

As soon as the door is closed, the alarm will stop and the message in the display will disappear.

### Switching the door alarm off early

You can switch the alarm off early if you wish.

- Touch the *OK* sensor.

The alarm will stop and the message will disappear from the display.

The alarm will sound again and the message will reappear in the display after a while if the appliance door has not been closed.

## Storing wine bottles


---

Vibration and movement have a negative effect on the maturing process, which can in turn affect the taste of the wine.


To avoid disturbing other bottles when removing a bottle of wine, store bottles of the same type beside each other on the same shelf. Avoid stacking bottles on top of one another on the wooden shelves.

Always place the bottles in a horizontal position so that the natural corks can be kept moist on the inside and air is prevented from getting into the bottles.

**Useful tip:** We also recommend increasing the humidity level inside the wine conditioning unit for wine bottles with natural corks (see “The ideal temperature and humidity – Increasing the humidity  $\Delta$ ”).

 Risk of injury from falling wine bottles.

Wine bottles may become wedged in the wooden shelves above and fall out of the wine conditioning unit when the shelves are pulled out. Always pull out the wooden shelves slowly and carefully.

 Risk of damage and injury from broken glass.

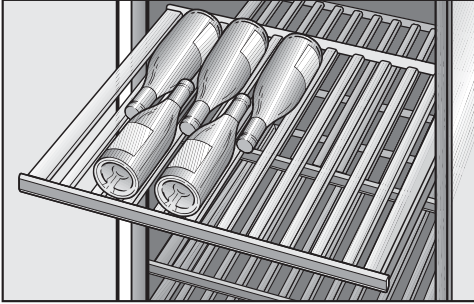
If wooden shelves and bottles protrude too far forwards, they may damage the glass door when it is closed.

Please ensure that the wooden shelves and wine bottles do not protrude.

Do not cover the vents in the rear wall, as they are essential for keeping the appliance cool.



## Wooden shelves



The wooden shelves are on telescopic runners which can be pulled out to make it easier to store and remove bottles.

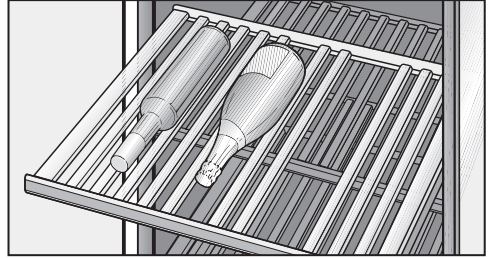
## Moving the wooden shelves

The wooden shelves can be removed and replaced again if required.

- Pull the wooden shelf out until it stops, then lift it up and off the runners. Hold onto the frame to do this.
- To replace the shelf, click it into place on the extended rails from above. The strip must face the front.

## Adjusting the wooden shelves

The slats in the wooden shelves can be adjusted to suit the size of the bottles being stored. This way, each bottle can be held securely in position.



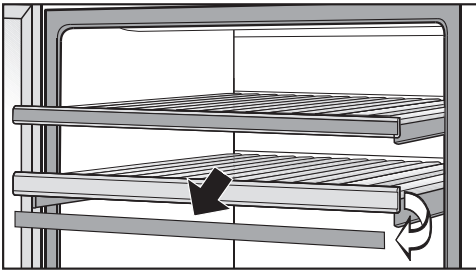
- Simply lift individual slats to move or remove them from the wooden shelves. This makes it easy to adjust the wooden shelf to suit the size of your wine bottles.

# Storing wine bottles


## Labelling wooden shelves

For quick and easy identification of the wines stored, you can write on the blackboard-painted surface on the strips on the wooden shelves.

You can write directly on the strip or remove it from the wooden shelf. To do so:




- Hold the strip by the sides and pull it forwards.
- The strip can be wiped clean with a damp cloth.

 Risk of damage due to incorrect cleaning.

The blackboard coating on the labelling strips may be damaged. Use clean water only to wipe the strip. **Do not use a cleaning agent.**

- Label the strip with the chalk supplied and refit it on the wooden shelf from above.

## Maximum capacity

 Risk of damage due to heavy loads.

Excessive loads can damage the wooden shelves.

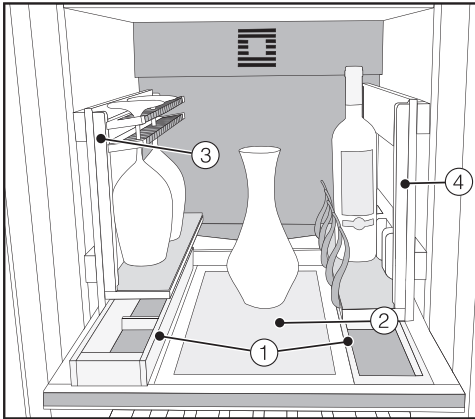
Do not exceed the maximum load-bearing capacity of 35 kg for each wooden shelf.

Do not stack bottles on the wooden shelves.

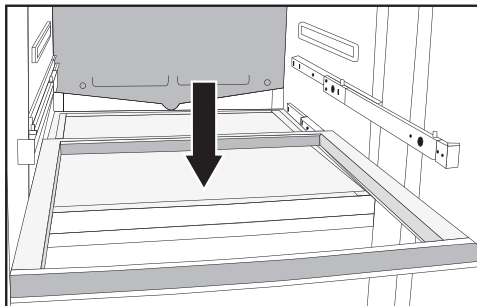
Up to 91 Bordeaux bottles (0.75 l) can be stored in the wine conditioning unit.

## Setting up the SommelierSet

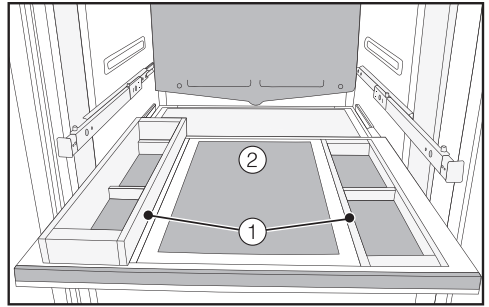
The SommelierSet can be used to have the wine in your wine conditioning unit ready for drinking. You can store wine glasses and accessories, decant your wine, and store open bottles in the wine conditioning unit.



- ① Large and small box for accessories
- ② Decanter plate, e.g. for wine carafes
- ③ Glass holder to store and cool wine glasses
- ④ Bottle holder with adjustable retainers for wine bottles of varying sizes

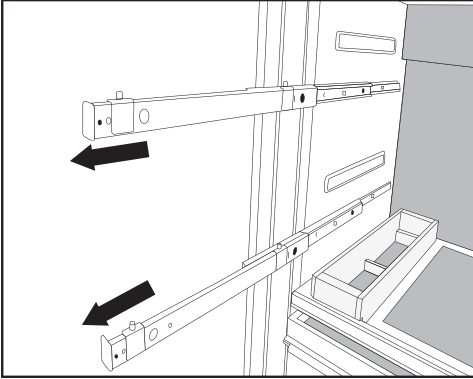


For ideal access, the SommelierSet sits on the wooden shelf at the bottom of the middle wine conditioning zone.

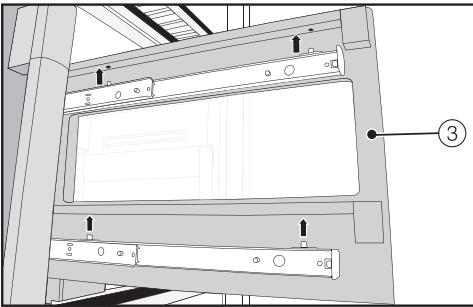


- Place the large accessory box on the left and the small accessory box ① on the right on the wooden shelf.
- Place the decanter plate ② in the centre of the wooden shelf.

# The SommelierSet



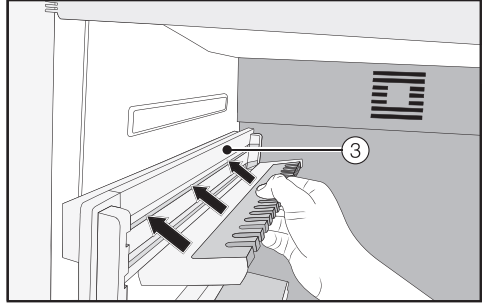
- Pull the runners above the bottom shelf out as far as they will go on both sides.



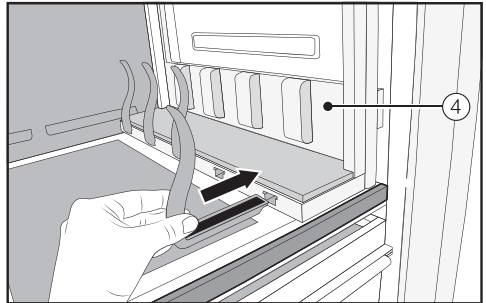
- Position the glass holder ③ on the runners on the left and the bottle holder ④ on the runners on the right. Check that the pins on the runners engage in the mounts on both the glass holder and the bottle holder.

- Push the glass holder ③ and the bottle holder ④ all the way into the unit.

- Next, place the felt inside the accessory boxes ① and on top of the decanter plate ②, the glass holder ③, and the bottle holder ④.



- Insert the two racks into the glass holder ③.



- Slide the retainers into the bottle holder ④.


**Useful tip:** The retainers can be adjusted individually to suit the size of your wine bottles.

The wine conditioning unit defrosts automatically.

## Cleaning and care

---

Do not let water get into the electronic unit or the lighting.

 Risk of damage due to moisture ingress.

The steam from a steam cleaning appliance can damage plastic parts and electrical components.

Do not use a steam cleaner to clean the wine conditioning unit.

The data plate located inside the wine conditioning unit must not be removed. It contains information which is required in the event of a fault.

### Cleaning agents

To avoid damaging the surfaces of your appliance, **do not use:**

- cleaning agents containing soda, ammonia, acids or chlorides
- cleaning agents containing descaling agents
- abrasive cleaning agents, e.g. powder cleaners and cream cleaners
- solvent-based cleaning agents
- stainless steel cleaning agents
- dishwasher cleaner
- oven sprays
- glass cleaner (except on the glass in the appliance door)
- hard, abrasive sponges and brushes, e.g. pot scourers
- dirt erasers
- sharp metal scrapers

Cleaning and conditioning agents used inside the wine conditioning unit must be food safe.

We recommend using lukewarm water with a little dishwashing liquid to clean the appliance.


## Before cleaning the wine conditioning unit

- Switch the wine conditioning unit off by pressing the On/Off switch.
- Take any wine bottles out of the wine conditioning unit and store them in a cool place.
- Take out all other removable parts for cleaning (see “Storing wine bottles – Moving the wooden shelves”).
- Remove the labelling strips from the wooden shelves before cleaning them (see “Storing wine bottles – Labelling wooden shelves”).

## Interior, accessories, and appliance door

Clean the wine conditioning unit regularly, or at least once a month. Remove soiling immediately to prevent it from drying on.

- Clean the interior cabinet of the wine conditioning unit with a solution of lukewarm water and a little washing-up liquid. Rinse all parts by hand. Do not wash in a dishwasher.
- After cleaning, wipe with a damp cloth and dry with a soft cloth.

 Risk of damage due to incorrect cleaning.


The blackboard coating on the labelling strips may be damaged. Use clean water only to wipe the labelling strips on the wooden shelves. Do **not** use a cleaning agent.

- The wooden shelves should only be wiped with a well wrung-out damp cloth. They must **not** be allowed to get wet.
- Leave the wine conditioning unit open to air it sufficiently for a short while and to prevent odour build-up.
- Clean the glass panes in the appliance door with a proprietary glass cleaner.

# Cleaning and care

---

## Cleaning the door seal

 Risk of damage due to incorrect cleaning.

If you treat the door seals with oils or grease, they can become porous. Do not use any oils or grease on the door seals.

- The door seal should be cleaned regularly with clean water, and then wiped dry with a soft cloth.

## Cleaning the ventilation gaps

A build-up of dust will increase the energy consumption of the appliance.

- The ventilation gaps should be cleaned on a regular basis with a brush or vacuum cleaner (you could use a Miele Vacuum Cleaner dusting brush, for example).

## After cleaning

- Refit all shelves and accessories in the wine conditioning unit.
- Switch the wine conditioning unit on.
- Place the wine bottles back in the wine conditioning unit and close the appliance door.



# Problem solving guide

Many malfunctions and minor faults that can occur in daily operation can be corrected without contacting Miele. This will save you time and money because you will not need a service call.

You can find information on how to remedy faults yourself at [www.miele.com/service](http://www.miele.com/service).

Please note, however, that a call-out charge will be applied to unnecessary service visits where the problem could have been rectified as described in these operating instructions.







To prevent cold from escaping, open the appliance as little as possible until the fault has been corrected.

Problem	Possible cause and remedy
<p><b>The wine conditioning unit is not working properly.</b></p>	<p>If your wine conditioning unit is not working properly, you can perform a <b>Self test</b>. The Self test identifies appliance faults that can only be fixed by a Miele technician. Any faults identified during the Self test are shown in the display.</p> <ul style="list-style-type: none"> <li>■ Perform the Self test (see "Selecting further settings - Carrying out a Self test <input checked="" type="checkbox"/>").</li> <li>■ Contact customer service if necessary and inform them of the fault message(s) in the display.</li> </ul>
<p><b>The wine conditioning unit is not getting cold and the interior lighting does not come on when the appliance door is opened.</b></p>	<p>The wine conditioning unit is not switched on.</p> <ul style="list-style-type: none"> <li>■ Switch the wine conditioning unit on. The temperature appears in the display.</li> </ul> <p>The appliance plug is not properly inserted into the socket or the socket is not switched on.</p> <ul style="list-style-type: none"> <li>■ Insert the appliance plug into the socket correctly and switch on.</li> </ul> <p>The mains circuit breaker has tripped. There could be a fault with the wine conditioning unit, the household electrical wiring or another electrical appliance.</p> <ul style="list-style-type: none"> <li>■ Contact a qualified electrician or Miele.</li> </ul>
<p><b>The compressor is switching on more frequently and for longer periods of time. The temperature in the wine conditioning unit is too low.</b></p>	<p>The temperature in the wine conditioning unit is set too low.</p> <ul style="list-style-type: none"> <li>■ Correct the temperature setting.</li> </ul> <p>The ventilation gaps in the housing unit are covered or have become too dusty.</p> <ul style="list-style-type: none"> <li>■ Do not block the ventilation gaps.</li> </ul>

## Problem solving guide










Problem	Possible cause and remedy
	<ul style="list-style-type: none"> <li>■ Clean the dust from the ventilation gaps on a regular basis.</li> </ul> <p>The appliance door has been opened too frequently, or a large number of wine bottles have been put inside the unit all at once.</p> <ul style="list-style-type: none"> <li>■ Only open the door when necessary and for as short a time as possible.</li> </ul> <p>After a while, the temperature will return to normal by itself.</p> <p>The door is not properly closed.</p> <ul style="list-style-type: none"> <li>■ Close the appliance door.</li> </ul> <p>After a while, the temperature will return to normal by itself.</p> <p>The ambient room temperature is too high. The higher the room temperature, the longer the compressor will run.</p> <ul style="list-style-type: none"> <li>■ See the information in "Installation - Installation location".</li> </ul> <p>The wine conditioning unit has not been installed properly in the installation niche.</p> <ul style="list-style-type: none"> <li>■ See the information in "Installation – Installing the wine conditioning unit".</li> </ul>
<p><b>The compressor comes on less and less often and for shorter periods of time. The temperature in the wine conditioning unit is rising.</b></p>	<p>This is not a fault. The temperature setting is too high.</p> <ul style="list-style-type: none"> <li>■ Correct the temperature setting.</li> <li>■ Check the temperature again after 24 hours.</li> </ul>
<p><b>The compressor runs continuously.</b></p>	<p>This is not a fault. To save energy, the compressor runs at a lower speed when less cooling is required. This increases the running time of the compressor.</p>
<p><b>An alarm sounds.</b></p>	<p>The appliance door of the wine conditioning unit has been open for longer than approx. 2 minutes.</p> <ul style="list-style-type: none"> <li>■ Close the appliance door.</li> </ul>

## Problem solving guide







Problem	Possible cause and remedy
<p><b>No alarm sounds despite an appliance door being open.</b></p>	<p>You have deactivated the alarm.</p> <ul style="list-style-type: none"> <li>■ Switch the alarm back on via the Settings mode .</li> </ul> <p>The Sabbath mode  function is switched on: The temperature display is dark and the  symbol is shown in the display.</p> <ul style="list-style-type: none"> <li>■ You can switch off Sabbath mode at any time (see "Selecting further settings - Switching Sabbath mode  on and off").</li> </ul>
<p><b>The door of the appliance cannot be opened.</b></p>	<p>The Pull2open Door Assistant is switched on but the wine conditioning unit has a handle-free cabinet front.</p> <ul style="list-style-type: none"> <li>■ For handle-free cabinet fronts, switch on the Push2open Door Assistant (see "Selecting further settings – Switching on the Door assistant ").</li> </ul>
<p><b>The appliance door cannot be opened when Sabbath mode  is switched on.</b></p>	<p>The Push2open Door assistant is switched on at the same time as Sabbath mode.</p> <ul style="list-style-type: none"> <li>■ When Sabbath mode is switched on, the Door assistant is deactivated.</li> <li>■ Pull the door open from the bottom or from the side.</li> </ul>

# Problem solving guide

## Messages in the display

Message	Possible cause and remedy
<b>The alarm sounds and the message</b>  <b>Close the door appears in the display.</b>	<p>The appliance door is open.</p> <ul style="list-style-type: none"><li>■ Close the appliance door.</li><li>■ If you want to switch the alarm off early, touch the <i>OK</i> sensor in the display.</li></ul> <p>The alarm will stop.</p>
<b>The temperature display is dark and the</b>  <b>symbol lights up in the display.</b>	<p>The Sabbath mode  function is switched on. The interior lighting is switched off and the wine conditioning unit is cooling down.</p> <ul style="list-style-type: none"><li>■ You can switch off Sabbath mode at any time (see "Selecting further settings - Switching Sabbath mode  on or off").</li></ul>
<b>F Please call Miele Service appears in the display and an alarm sounds.</b>	<p>There is a fault.</p> <ul style="list-style-type: none"><li>■ Make a note of the fault message if necessary.</li><li>■ Call Miele.</li><li>■ To switch the alarm off, touch the  symbol.</li></ul> <p>The fault message will not disappear from the display until the fault has been rectified.</p>
<b>The</b>  <b>symbol lights up in the display. The wine conditioning unit does not get cold, although its controls are working.</b>	<p>Demo mode  is switched on. Demo mode allows the wine conditioning unit to be presented in the showroom without the cooling system being switched on. Do not activate this setting for domestic use.</p> <ul style="list-style-type: none"><li>■ Switch off Demo mode  (see "Selecting further settings - Switching off Demo mode ").</li></ul>

## The interior lighting is not working

Problem	Possible cause and remedy
<p><b>The interior lighting is not working.</b></p>	<p>The wine conditioning unit is not switched on.</p> <ul style="list-style-type: none"> <li>■ Switch the wine conditioning unit on.</li> </ul>
	<p>The Sabbath mode function is switched on: the temperature display is dark and the  symbol lights up in the display.</p> <ul style="list-style-type: none"> <li>■ You can switch off Sabbath mode at any time via the Settings mode .</li> </ul>
	<p>There is a fault.</p> <div style="border: 1px solid gray; padding: 5px; margin-bottom: 10px;"> <p> Risk of electric shock due to exposed, live electrical components!</p> <p>When removing the lighting cover, there is a risk of coming into contact with live electrical components.</p> <p>Do not remove the lighting cover. The LED lighting must only be repaired or replaced by a qualified technician.</p> </div> <div style="border: 1px solid gray; padding: 5px;"> <p> Danger of injury from LED lighting.</p> <p>This lighting corresponds to risk group RG 2. If the cover is defective, there is a risk of eye injury.</p> <p>Do not look from a close range directly into the lighting with optical instruments (e.g. magnifying glass or similar).</p> </div> <ul style="list-style-type: none"> <li>■ Call Miele.</li> </ul>
<p><b>The interior lighting is on even when the appliance door is closed.</b></p>	<p>The Ambient lighting is switched on.</p> <ul style="list-style-type: none"> <li>■ Switch off the Ambient lighting  function (see “Selecting further settings – Switching Ambient lighting  on or off”).</li> </ul>

# Problem solving guide

---

## General problems with the wine conditioning unit

Problem	Possible cause and remedy
<b>Mould forms on the labels of the wine bottles.</b>	Mould can form on the labels, depending on the type of adhesive used on them. ■ Remove all mould residues. Clean the wine bottles and remove any adhesive residues.
<b>The slats in the wooden shelves are warping.</b>	A change in volume due to moisture absorption or drying out is a typical characteristic of wood. An increase in humidity in the wine conditioning unit causes wooden components in the unit to warp. Therefore, under certain circumstances, wooden parts can warp and cracks can develop. Knots and grain patina are part of the natural character of the wood.
<b>A white film has formed on the corks of the wine bottles.</b>	The corks have oxidised due to contact with the air. ■ Wipe off the film with a dry cloth. The film does not affect the quality of the wine.

Normal noises	What causes them
<b>Brrrrr ...</b>	A humming noise is made by the compressor. This noise can get louder for brief periods when the compressor switches on.
<b>Blubb, blubb ...</b>	A gurgling noise can be heard when refrigerant is circulating through the pipes.
<b>Click ...</b>	Clicking sounds occur whenever the thermostat switches the compressor on or off.
<b>Crack ...</b>	A cracking sound can be heard when material inside the wine conditioning unit expands.
Please bear in mind that the noise of the compressor and the coolant circulating in the system is unavoidable.	

Noises	Possible cause and remedy
<b>Rattling, vibrating, clinking</b>	The wine conditioning unit is uneven. Realign it using a spirit level. Do so by raising or lowering the adjustable feet underneath the wine conditioning unit.
	The wine conditioning unit is touching other appliances or pieces of furniture. Move it away.
	Shelves are unstable or sticking. Check all removable parts and refit them correctly if required.
	Bottles or containers are touching. Separate them.

# Service

---

You can find information on how to remedy faults yourself and about Miele spare parts at [www.miele.com/service](http://www.miele.com/service).

## Contact in case of fault

In the event of any faults which you cannot remedy yourself, please contact Miele.

You can book a Miele customer service call-out online at [www.miele.com.au/service](http://www.miele.com.au/service) or [www.miele.co.nz/service](http://www.miele.co.nz/service).

Contact information for Miele can be found at the end of this booklet.

Please quote the model and serial number of your appliance when contacting Miele. This information can be found on the data plate.

The data plate can be found inside the wine conditioning unit.

## Warranty

The manufacturer's warranty for this appliance is 2 years.

For more information about country-specific warranty terms and conditions, please contact Miele.



For the purpose of operating and controlling the appliance, Miele uses proprietary or third-party software that is not covered by open source licensing terms. These items of software/software components are protected by copyright. The copyright powers of Miele and third parties must be respected.

In addition, the appliance contains software components which are distributed under open source licensing terms. You can view these open source components along with the associated copyright notices, copies of the valid licensing terms and any further information in the document “Open Source Information and Licenses”. The liability and warranty arrangements for the open source licences displayed at this location only apply in relation to the respective rights holders.

The appliance contains, in particular, software components which are licensed by the rights holders under the GNU General Public License, version 2, or the GNU Lesser General Public License, version 2.1. For a period of at least 3 years following the purchase or delivery of the appliance, Miele shall provide you or third parties with a machine-readable copy of the source code for the open source components contained in the appliance, which are licensed under the terms of the GNU General Public License, version 2, or the GNU Lesser General Public License, version 2.1. The source code shall be made available on a data carrier (CD-ROM, DVD or USB stick). To obtain this source code, please contact us, specifying the product name, serial number and purchase date, by sending us an e-mail (info@miele.com) or writing to the following address:

Miele & Cie. KG  
Open Source  
GTZ/TIM  
Carl-Miele-Straße 29  
33332 Gütersloh, Germany

We wish to draw your attention to the limited warranty for the benefit of rights owners under the terms of the GNU General Public License, version 2, and the GNU Lesser General Public License, version 2.1:

*This program is distributed in the hope that it will be useful, but WITHOUT ANY WARRANTY, without even the implied warranty of MERCHANTABILITY of FITNESS FOR A PARTICULAR PURPOSE. See the GNU General Public License and GNU Lesser General Public License for more details.*



**Miele Australia Pty. Ltd.**

ACN 005 635 398  
ABN 96 005 635 398

**Miele Head Office Melbourne:**

Level 4, 141 Camberwell Road  
Hawthorn East, VIC 3123

**Miele Experience Centre Doncaster:**

1136/7 Doncaster Shopping Centre  
619 Doncaster Rd, Doncaster, VIC 3108

**Miele Experience Centre South Melbourne:**

206-210 Coventry Street  
South Melbourne, VIC 3205

**Miele Experience Centre and Office Sydney:**

3 Skyline Place  
Frenchs Forest, NSW 2086

**Miele Experience Centre and Office Brisbane:**

Tenancy 4C, 63 Skyring Terrace  
Newstead, QLD 4006

**Miele Experience Centre Gold Coast:**

131 Ferry Road  
Southport, QLD 4215

**Miele Experience Centre and Office Adelaide:**

83-85 Sir Donald Bradman Drive  
Hilton, SA 5033

**Miele Experience Centre and Office Perth:**

205-207 Stirling Highway  
Claremont, WA 6010

**1300 464 353 (1300 4 MIELE)**

**[www.miele.com.au](http://www.miele.com.au)**

**Miele New Zealand Limited**

IRD 98 463 631

**Miele Experience Centre  
and Head Office Auckland:**

8 College Hill  
Freemans Bay, Auckland 1011

**Miele Experience Centre  
Wellington:**

183 Featherston Street  
Wellington 6011

**0800 464 353 (0800 4 MIELE)**

**[www.miele.co.nz](http://www.miele.co.nz)**

**Miele Global Headquarters  
Germany**

**Miele & Cie. KG**

Carl-Miele-Straße 29  
33332 Gütersloh  
Federal Republic of Germany

KWT 2662 ViS, KWT 2672 ViS

en-AU, NZ

M.-Nr. 12 359 280 / 00