

Installation plan

PFD 104 SCVi

Contents

Installation notes	3
Installation requirements	3
Environmental requirements	3
Electrical connection	3
Water connection	4
Appliance dimensions and installation dimensions	6
PFD 104 SCVi	6
Front panel dimensions	6
Connections	7
Connections on the back of the appliance	7
On-site connections	7
External dispensing	8
Technical data	9
Dimensions and weights	9
Emission levels	9
Electrical connection	9
Water inlet	10
Drain	10
Operating conditions	10
Storage and transportation conditions	10

Installation notes

For safe installation and commissioning of the dishwasher please read the installation plan, the service documentation, the installation sheet and the operating instructions.

This installation plan includes the dimensions of the appliance, the technical data and the requirements to be met on site for the installation of the dishwasher.

Installation requirements

This dishwasher must only be installed and commissioned by the Miele Customer Service Department, a Miele authorised dealer or a suitably qualified specialist.

Installation should only be performed in accordance with valid regulations, relevant standards and health and safety codes.

Environmental requirements

Condensate can build up in the area surrounding the dishwasher. Any furniture and fittings in the room must therefore be suitable for purpose.

Vapour barrier film for built-in appliances

The vapour barrier film supplied protects the worktop from damage caused by steam when the door is opened. Attach the vapour barrier film above the door, underneath the worktop.

Electrical connection

All work on the electrical connection must be carried out by the Miele Customer Service Department, an authorised Miele dealer or a qualified electrician.

Plug connection

The dishwasher should be connected to the electricity supply via a suitably rated plug and socket.

Hard-wired

If the dishwasher is hard-wired to the power supply, a power switch capable of disconnecting the dishwasher at all poles must be installed on site. This power switch must have a contact gap of at least 3 mm. The means for disconnection must be incorporated in the fixed wiring in accordance with the wiring rules AS/NZS 3000.

The socket and the power switch must be accessible after the appliance has been installed. An electrical safety test can then easily be carried out, e.g., after any service or maintenance work. The connection cable must be protected from the risk of thermal damage.

Residual current device (RCD)

For increased safety, it is recommended to protect the dishwasher with a residual current device (RCD) with a trip current of 30 mA.

Equipotential bonding

There is a screw connection point for equipotential bonding at the back of the dishwasher.

Equipotential bonding should be carried out if possible on site.

Installation notes

Water connection

The dishwasher must only be connected to fully vented pipework. A brief increase in the water pressure can damage components of the dishwasher.

Water inlet

The quality of the incoming water must correspond to the drinking water specification of the country in which the dishwasher is being operated.

The dishwasher must be connected to the water supply in strict accordance with current local and national requirements (e.g. Plumbing Code of Australia (PCA)). It can be connected to cold or hot water supplies. Connecting the dishwasher to a hot water supply will reduce programme running times.

For short programme running times, dynamic water pressure of at least 200 kPa is also required.

This appliance must be installed according to AS/NZS 3500.1 and AS/NZS 3500.2. This dishwasher has been supplied with a separate backflow prevention device (dual check valve).

Installation requirements:

The dual check valve supplied separately with this product must be installed between the tap and the water inlet hose.

Screw the dual check valve onto the tap. Then screw the water inlet hose with the water protection system onto the thread of the dual check valve.

Turn on the the tap gradually to test for leaks. If there is a leak, the connection might not be on securely, or it may have been screwed on at an angle. Unscrew and reconnect the water correctly before tightening it.

If a tap is not available, only a qualified installer may connect the dishwasher to the mains water supply.

The tap should remain accessible once the dishwasher has been installed so that the water supply can be shut off whenever the appliance is not in use.

Drain

The dishwasher drain hose should be connected to a separate on-site drainage system for the dishwasher only. If a separate connection is not available, we recommend connecting the hose to a dual-chamber siphon.

If the hose is to be fitted directly to the drainage system on site, use the hose clip supplied with the dishwasher.

The on-site connector for the drain hose can be adapted to different hose diameters. If the connector extends more than 30 mm into the drain hose, it must be shortened. Otherwise, the drain hose can become blocked.

Lay the drain hose so that it does not kink and is not being subjected to pressure or tension.

If the on-site drain connection is situated lower than the guide path for the lower basket rollers in the open door, a siphoning effect during a programme can cause the wash cabinet to empty itself of water.

In this case, lay the drain hose with a bend in it so that its highest point is at least level with the guide path for the lower basket rollers.

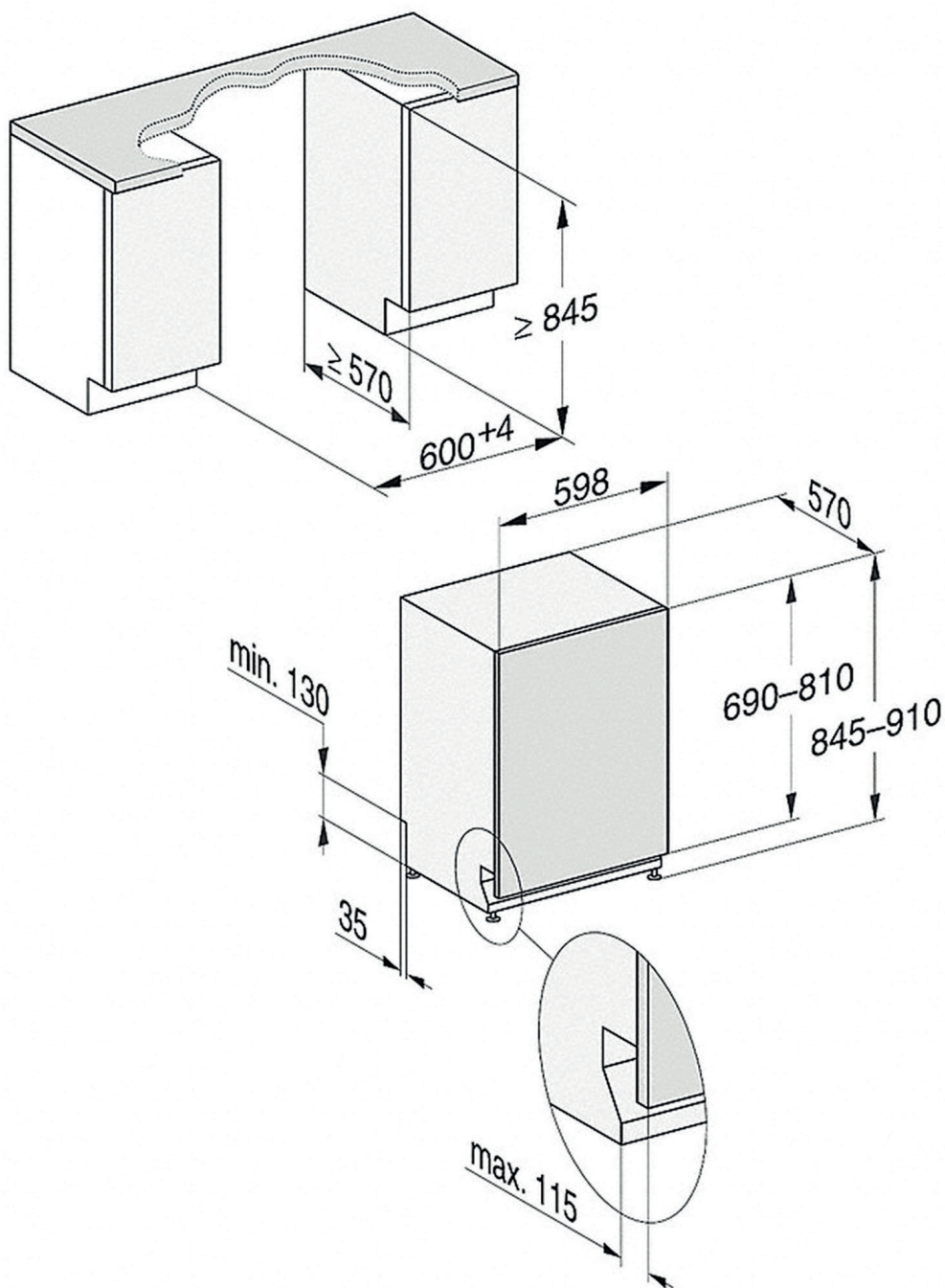
External dispensing

An external dispensing module for liquid cleaning agents can be connected to the back of the dishwasher.

The dispensing module is available as an optional accessory and is supplied with installation instructions.

Appliance dimensions and installation dimensions

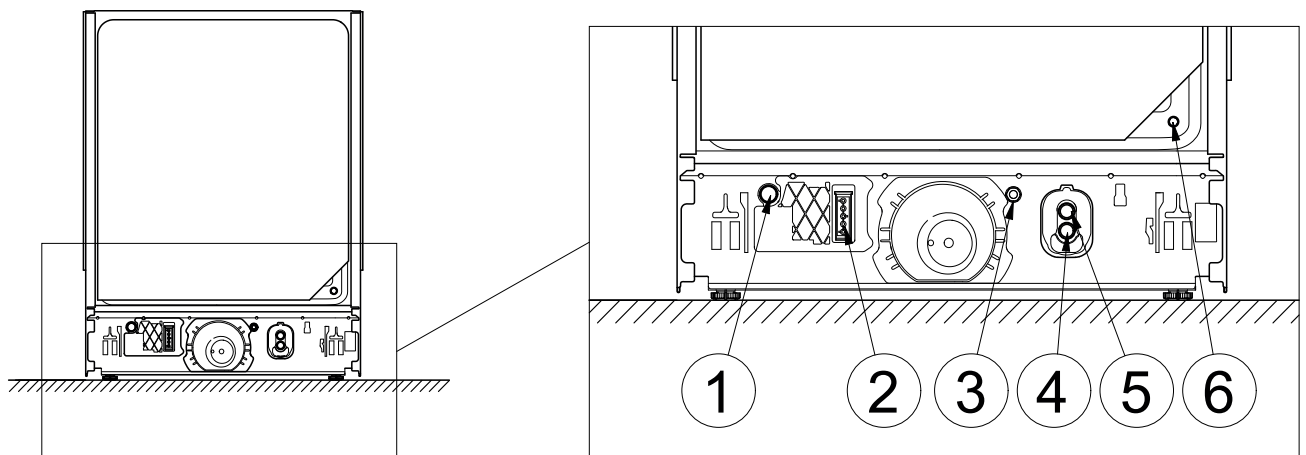
PFD 104 SCVi



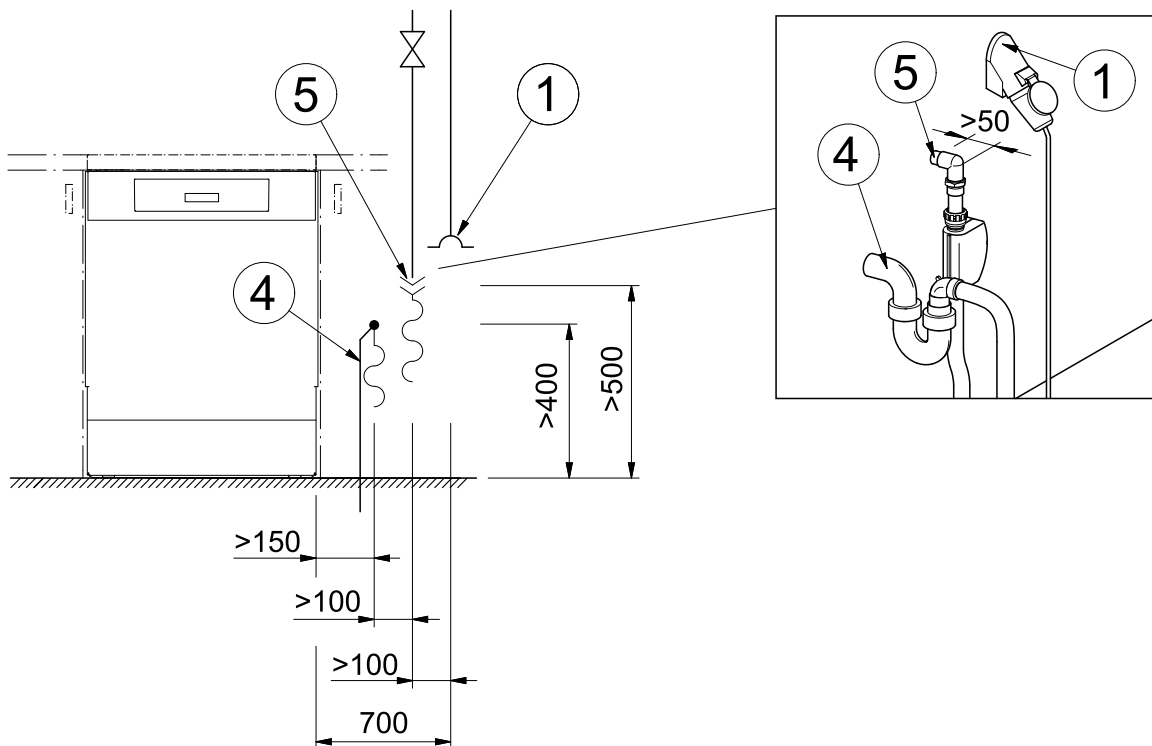
Front panel dimensions

Length	[mm]	690–810
Thickness	[mm]	16–20
Weight	[kg]	5–12

Connections on the back of the appliance



On-site connections

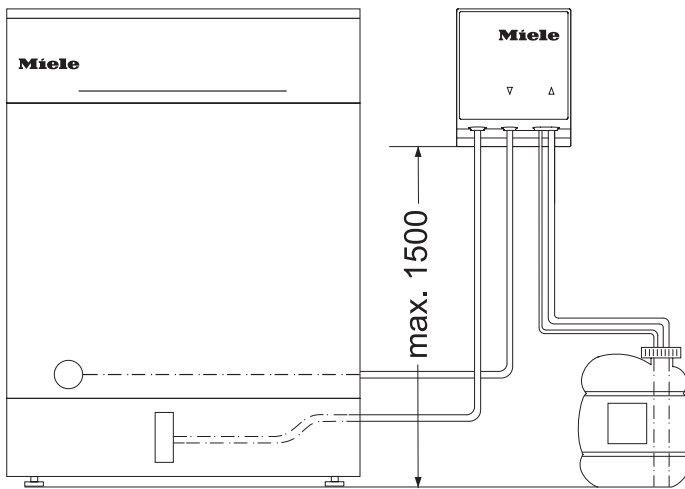


- ① Electrical connection
- ② External dispensing, power supply connection
- ③ Equipotential bonding
- ④ Waste water
- ⑤ Cold or hot water
- ⑥ External dispensing, connection for dispensing hose sealed with a blind stopper*

* the dispenser connector is supplied with the dispensing module

Connections

External dispensing



Max. delivery head	[m]	1.5
Length of dispenser hose, DOS module to suction lance	[m]	1.8
Length of dispenser hose, back of appliance to DOS module	[m]	2.8
Length of power cable, back of appliance to DOS module	[m]	2.8

Place the container on the floor next to the cleaning machine or in an adjacent cabinet. The container must not be placed on top of or above the cleaning machine.

Dimensions and weights

Height	[mm]	845
Height adjustment	[mm]	65
Width	[mm]	598
Depth	[mm]	570
Depth with door open	[mm]	1205
Max. plinth return	[mm]	115
Weight	[kg]	51
Max. floor load	[N]	1000

Emission levels

Sound power level	[dB(A) re 1 pW]	45
Sound pressure level in the workplace	[dB(A)]	32.5

Electrical connection**Standard electrical connection**

Voltage		AC 230V
Frequency	[Hz]	50
Fuse rating	[A]	15-16
Plug		Yes
Power cable length	[m]	1.7
Power cable cross-section	[mm ²]	3x1.5
Heat output	[kW]	3
Total rated load	[kW]	3.2

Technical data

Water inlet

Max. water temperature	[°C]	60
Max. water hardness	[mmol/l]	6.5
Max. water hardness	[°dH]	36
Water connection pressure	[kPa]	100–1000
On-site threaded union (flat seal)	[inches]	3/4
Connection hose length	[m]	1.5

Drain

Max. water temperature	[°C]	82
Drain hose length	[m]	1.5
Max. drain hose length	[m]	4
Max. delivery head	[m]	1
Max. transient flow rate	[l/min]	10
Hose inner diameter	[mm]	22
On-site hose sleeve (∅ x length)	[mm]	22 x 30

Operating conditions

Ambient temperature	[°C]	+5 – +40
Relative humidity:		
Up to 31 °C, maximum	[%]	80
Linear decreasing to 40 °C	[%]	50
Max. altitude above sea level up to	[m]	4000

Storage and transportation conditions

Ambient temperature	[°C]	-20 – +60
Relative humidity	[%]	10–85
Air pressure	[hPa]	500–1060

Min. site access dimensions including transport pallet

Height	[mm]	970
Width	[mm]	670
Depth	[mm]	670

Miele Australia Pty. Ltd.

ACN 005 635 398

ABN 96 005 635 398

Melbourne:

Level 4, 141 Camberwell Road

Hawthorn East, VIC 3123

Telephone: 1300 731 411

service.prof@miele.com.au

**www.miele.com.au/professional
professional.sales@miele.com.au**

Miele New Zealand Limited

IRD 98 463 631

8 College Hill

Freemans Bay

Auckland 1011

New Zealand

Telephone: 0800 4 MIELE

(0800 464 353)

www.miele.com.au/professional

professional.sales@miele.com.au



Miele Global Headquarters: Miele & Cie. KG
Carl-Miele-Straße 29, 33332 Gütersloh, Germany