


## Operating and installation instructions Wine conditioning unit












To avoid the risk of accidents or damage to the appliance it is **essential** to read these instructions before it is installed and used for the first time.

# Contents

---

<b>Warning and Safety instructions</b> .....	<b>5</b>
<b>Caring for the environment</b> .....	<b>13</b>
<b>Installation</b> .....	<b>14</b>
Location .....	14
Climate range .....	15
Installation notes .....	15
Adjoining cabinets/units .....	15
Load-bearing capacity of the niche floor .....	16
Ventilation .....	16
Door hinge .....	16
Side-by-side .....	16
Building-in dimensions .....	18
Dimensions when the appliance door is opened (opening angle 90°/115°)....	20
Dimensions of the furniture front.....	21
Installing the wine conditioning unit.....	22
Before starting .....	22
Tools required .....	22
Weight of the furniture front .....	23
Aligning the building-in niche.....	23
Checking the building-in niche .....	24
Before installation.....	24
Preparing the building-in niche .....	26
Pushing the wine conditioning unit into the building-in niche .....	28
Aligning the wine conditioning unit .....	29
Securing the wine conditioning unit in the building-in niche .....	32
Preparing to install the furniture fronts.....	34
Securing and aligning the furniture front.....	37
Securing the covers.....	40
Fitting the door trim.....	42
Securing the plinth ventilation grille and plinth panel .....	43
Limiting the opening angle of the appliance door .....	44
Electrical connection .....	45
<b>Saving energy</b> .....	<b>47</b>
<b>Guide to the appliance</b> .....	<b>49</b>
Main screen.....	50
Settings mode  .....	51
<b>Accessories</b> .....	<b>53</b>
Accessories supplied .....	53
Optional accessories .....	53

<b>Initial commissioning</b> .....	<b>54</b>
Before using for the first time .....	54
Choosing the right door assistant (Push2open/Pull2open) .....	54
Miele@home .....	55
Operating the wine conditioning unit .....	56
Starting up for the first time .....	57
<b>Switching on and off</b> .....	<b>58</b>
Switching off for longer periods of time .....	58
<b>Selecting additional settings</b> .....	<b>59</b>
Switching Keypad lock  /  on or off .....	59
Performing a Self test  .....	60
Switching on the Door assistant  .....	60
Switching off the Door assistant  .....	62
Miele@home .....	63
Switching off the Demo mode  .....	64
Resetting the settings to their default settings  .....	65
Switching Sabbath mode  on or off .....	67
Switching the Ambient lighting  on or off .....	67
Selecting the Ambient display .....	69
<b>The ideal temperature and humidity</b> .....	<b>70</b>
Perfectly storing wine .....	70
The correct temperature .....	70
Recommended drinking temperatures .....	70
Isolator plates for thermal separation .....	71
Setting the temperature .....	71
Humidity .....	71
Increasing the humidity $\delta$ .....	72
Not increasing the humidity $\delta$ .....	72
<b>Door alarm</b> .....	<b>73</b>
<b>Storing wine bottles</b> .....	<b>74</b>
Wooden shelves .....	74
Moving the wooden shelves .....	74
Adjusting the wooden shelves .....	75
Labelling wooden shelves .....	75
Maximum capacity .....	75
<b>Automatic defrosting</b> .....	<b>76</b>
<b>Cleaning and care</b> .....	<b>77</b>
Cleaning agents .....	77
Before cleaning the wine conditioning unit .....	77
Interior cabinet, accessories and appliance door .....	78

# Contents

---

Cleaning the door seal .....	78
Cleaning the ventilation gaps .....	79
After cleaning .....	79
<b>Problem solving guide</b> .....	<b>80</b>
<b>Noises</b> .....	<b>86</b>
<b>Service</b> .....	<b>87</b>
Contact in the event of a fault .....	87
EPREL database .....	87
Warranty .....	87
<b>EU Conformity declaration</b> .....	<b>88</b>
<b>UK Conformity declaration</b> .....	<b>89</b>
<b>Copyrights and Licences</b> .....	<b>90</b>

## Warning and Safety instructions


This wine conditioning unit complies with all current local and national safety requirements. Inappropriate use can, however, lead to personal injury and material damage.

Read the operating and installation instructions carefully before using the wine conditioning unit. They contain important information on safety, installation, use and maintenance. This is to protect yourself from injury, and from damaging your wine conditioning unit.

In accordance with standard IEC 60335-1, Miele expressly and strongly advises that you read and follow the instructions in the chapter on installing the wine conditioning unit as well as the safety instructions and warnings.

Miele cannot be held liable for injury or damage caused by non-compliance with these instructions.

Keep these instructions in a safe place and pass them on to any future owner.

 Danger of injury and damage to the appliance due to the wine conditioning unit tipping over.

The wine conditioning unit is very heavy and can tip forwards when the appliance door is open.

Keep the appliance door shut until the wine conditioning unit has been built in and secured in its building-in niche in accordance with these operating and installation instructions.

 Danger of injury from broken glass.

If installed at altitudes above 2000 m there is a risk of the glass in the door breaking because of changes in air pressure. Shards of glass can cause severe injury.

# Warning and Safety instructions

---

## Correct application

- ▶ This wine conditioning unit is intended for use in the home and in similar environments, for example
  - in shops, offices and similar work settings
  - on agricultural estates
  - by the guests in hotels, motels, bed & breakfasts and other typical home settings.

This wine conditioning unit is not intended for outdoor use.

- ▶ The wine conditioning unit is intended for domestic use only for storing wine.

It must not be used for any other purpose.

- ▶ The wine conditioning unit is not suitable for storing and keeping cool medicines, blood plasma, laboratory preparations or other such materials or products. Incorrect use of the wine conditioning unit for such purposes can cause deterioration of the items stored. The wine conditioning unit is not suitable for use in areas where there is a risk of explosion.

Miele cannot be held liable for damage resulting from improper or incorrect use of the appliance.

- ▶ This wine conditioning unit may only be used by people (including children) with reduced physical, sensory or mental capabilities or lack of experience and knowledge if they are supervised whilst using it. The wine conditioning unit may only be used by these people without supervision if they have been shown how to use it in a safe way and recognise and understand the consequences of incorrect operation.

## Safety with children

- ▶ Children under 8 years of age must be kept away from the wine conditioning unit unless they are constantly supervised.
- ▶ Children aged 8 and older may only use the wine conditioning unit without supervision if they have been shown how to use it in a safe manner. Children must be able to understand and recognise the possible dangers caused by incorrect operation.
- ▶ Children must not be allowed to clean or maintain the wine conditioning unit unsupervised.
- ▶ Please supervise children in the vicinity of the wine conditioning unit and do not let them play with it.
- ▶ The appliance door hinges of the wine conditioning unit can cause injury. Keep children away at all times.

## Warning and Safety instructions

---

▶ Danger of suffocation! Whilst playing, children could become entangled in packaging (such as plastic wrapping) or pull it over their head and suffocate. Keep packaging material away from children.

### Technical safety

▶ The refrigerant circuit has been checked for leaks. The wine conditioning unit complies with statutory safety requirements and the appropriate EU directives.



▶ This wine unit contains the refrigerant Isobutane (R600a), a natural gas which is environmentally friendly. The refrigerant does not damage the ozone layer and does not contribute to the greenhouse effect.

The use of this refrigerant has, however, led to a slight increase in the noise level of the appliance. In addition to the noise of the compressor, you might be able to hear the refrigerant flowing around the cooling circuit. Unfortunately, this cannot be avoided, but it does not affect the performance of the wine unit.

When transporting and installing the wine unit, ensure that no parts of the cooling circuit are damaged. Splashes of refrigerant can damage the eyes.

In the event of damage:

- Avoid naked flames or anything which creates a spark.
- Disconnect the wine unit from the mains electricity supply.
- Ventilate the room where the wine unit is located for several minutes.
- Contact the Miele Customer Service Department.

▶ The more refrigerant there is in a wine unit, the larger the room it should be installed in. In the event of a leakage, if the appliance is in a small room, there is the danger of a combustible gas/air mixture building up. For every 8 g of refrigerant at least 1 m<sup>3</sup> of room space is required. The amount of refrigerant in the wine unit is stated on the data plate inside the appliance.

## Warning and Safety instructions

---

- ▶ To avoid the risk of damage to the wine conditioning unit, make sure that the connection data (fuse rating, frequency and voltage) on the data plate corresponds to the household supply. Check that this is the case before connecting the wine conditioning unit. Consult a qualified electrician if in any doubt.
- ▶ The electrical safety of this wine unit can only be guaranteed when continuity is complete between it and an effective earthing system. It is essential that this basic safety feature is present. If in doubt, the electrical installation should be checked by a qualified electrician.
- ▶ The socket must not be concealed behind the wine conditioning unit and must be easily accessible so that the appliance can be quickly disconnected from the electrical supply in case of an emergency.
- ▶ If the electrical connection cable supplied is damaged, it must only be replaced by an original spare part to prevent a hazard for the user. Miele can only guarantee the safety of the appliance when original Miele spare parts are used. For safety reasons, such replacement may only be carried out by a qualified specialist or the Miele Customer Service Department.
- ▶ Do not connect the wine conditioning unit to the mains electrical supply by a multi-socket adapter or extension lead. These are a fire hazard and do not guarantee the required safety of the appliance.
- ▶ If moisture gets into electrical components, it could cause a short circuit. Therefore, do not operate this wine conditioning unit in areas which are exposed to moisture (e.g. in a garage or utility room).
- ▶ This wine conditioning unit must not be used in a non-stationary location (e.g. on a ship).
- ▶ Do not use a damaged wine conditioning unit. It could be dangerous. Check the wine conditioning unit for visible signs of damage.
- ▶ For safety reasons, this wine conditioning unit may only be used after it has been built in.
- ▶ The wine conditioning unit must be isolated from the electricity supply during installation, maintenance and repair work.
- ▶ Unauthorised installation, maintenance and repairs can cause considerable danger for the user. Installation, maintenance and repairs must only be carried out by a Miele authorised technician.



## Warning and Safety instructions

---

- ▶ While the wine conditioning unit is under warranty, repairs should only be undertaken by a Miele authorised service technician. Otherwise the warranty is invalidated.
- ▶ Faulty components must only be replaced with genuine Miele original spare parts. Miele can only guarantee the safety standards of the appliance when Miele replacement parts are used.
- ▶ This wine unit is supplied with a special lamp to cope with particular conditions (e.g. temperature, moisture, chemical resistance, abrasion resistance and vibration). This lamp must only be used for the purpose for which it is intended. The lamp is not suitable for room lighting. Replacement lamps may only be fitted by a Miele authorised technician or by the Miele Customer Service Department. This wine unit contains several light sources with at least energy efficiency class E.

### Correct use

- ▶ This wine unit is designed for use within specific ambient temperatures (climate range). Do not use in ambient temperatures for which it is not designed. The climate range is stated on the data plate inside the wine unit. A lower ambient temperature will cause the compressor to switch off for longer periods, meaning that the wine unit is unable to maintain the required temperature in some circumstances.
- ▶ Do not cover or block the air vents as this could impair the efficiency of the appliance, increase the electricity consumption and could cause damage to the components.
- ▶ If the wine unit is used for storing food which contains fat or oil, make sure that it does not come into contact with plastic components. Any spillages of oil or fat could cause stress cracks to the plastic and cause it to break or split.
- ▶ Risk of fire and explosion. Do not store explosive materials in the wine conditioning unit or any products containing propellants (e.g. spray cans). Electrical components can cause flammable mixes of gases to ignite.
- ▶ Danger of explosion. Do not operate any electrical appliances inside the wine conditioning unit. Danger of sparking and explosion.

## Warning and Safety instructions

---

▶ In areas which may be subject to infestation by cockroaches or other vermin, pay particular attention to keeping the appliance and its surroundings clean at all times. Any damage caused by cockroaches or other vermin will not be covered by the warranty.

### Accessories and spare parts

- ▶ Only use original Miele accessories. If other parts are used, warranty, performance and product liability claims will be invalidated.
- ▶ Miele will guarantee to supply functional spare parts for a minimum of 10 years and up to 15 years following the discontinuation of your wine unit.

### Cleaning and care

- ▶ Do not use any oils or grease on the door seals, as these will cause the seals to deteriorate and become porous with time.
- ▶ **WARNING! DANGER of injury and damage!** Do not use any mechanical or other types of aids which are not recommended by the manufacturer to accelerate the defrosting process.
- ▶ Do not use a steam cleaning appliance to clean this wine conditioning unit.  
The steam could reach electrical components and cause a short circuit.
- ▶ Sharp edged or pointed objects will damage the evaporator, causing irreversible damage to the wine conditioning unit. Do not use sharp edged or pointed objects to
  - remove frost and ice,
  - remove labels, stickers etc.

### Transport

- ▶ Always transport the wine conditioning unit in an upright position and in its original transport packaging to avoid damage in transit.
- ▶ Risk of injury and damage. The wine unit is very heavy and must be transported by two people.

## Disposal of your old appliance

▶ Children playing could become trapped in the wine unit and could suffocate.

- Remove the appliance door.
- Leave the wooden/metal shelves in the wine unit so children cannot climb inside.
- If the wine unit has a door lock, make sure that children cannot lock themselves inside while playing as this could endanger their lives.

▶ Risk of electric shock!

- Cut the plug off the mains connection cable.
- Cut the mains connection cable off the old appliance.

▶ Dispose of the plug and mains connection cable separately from the old appliance.

▶ During and after disposal, make sure that the wine unit is not placed near petrol or other flammable gases and liquids.

▶ Risk of fire due to escaping oil or refrigerant!

The refrigerant and oil inside the appliance are flammable. In high enough concentrations, escaping refrigerant or oil may ignite if they come into contact with an external heat source.

During disposal, make sure that the cooling circuit is not damaged in order to prevent refrigerant and oil escaping in an uncontrolled manner (see the data plate for details of the refrigerant).

▶ Splashes of coolant can damage the eyes. Be careful not to damage any part of the pipework whilst awaiting disposal, e.g. by

- puncturing the coolant channels in the condenser,
- bending any pipework, or
- scratching the surface coating.

## Symbol on the compressor (depending on model)

This information is only relevant for recycling. There is no risk during normal operation.
--

## Warning and Safety instructions

---



- ▶ The oil in the compressor can be fatal if swallowed or if it penetrates the airways.

### Disposing of the packaging material

The packaging material is used for handling and protects the appliance from transport damage. The packaging material used is selected from materials which are environmentally friendly for disposal and can generally be recycled.

Recycling the packaging material reduces the use of raw materials. Use material-specific collection points for valuable materials and take advantage of return options. Your Miele dealer will take the packaging material away.

### Disposing of your old appliance

Electrical and electronic appliances contain many valuable materials. They also contain certain materials, compounds and components which were essential for their correct functioning and safety. These could be hazardous to human health and to the environment if disposed of with household waste or if handled incorrectly. Please do not, therefore, dispose of your old appliance with household waste.



Take care not to damage your refrigeration appliance before or during disposal in an authorised, environmentally friendly manner. This is to ensure that refrigerant in the cooling circuit and oil in the compressor is contained, and will not leak into the environment.

Instead, please make use of officially designated collection and disposal points to dispose of and recycle electrical and electronic appliances in your local community, with your dealer or with Miele, free of charge. By law, you are solely responsible for deleting any personal data from the old appliance prior to disposal. You are legally obliged to remove any old batteries which are not securely enclosed by the appliance and to remove any lamps without destroying them, where this is possible. These must be taken to a suitable collection point where they can be handed in free of charge. Please ensure that your old appliance poses no risk to children while being stored for disposal.

# Installation

---

## Location

This appliance should be installed in a dry, well-ventilated room.

When deciding where to install your wine conditioning unit, please bear in mind that it will use more energy if installed near to a heater, a cooker or another appliance that gives off heat. Direct sunlight should also be avoided. The higher the room temperature, the longer the compressor runs and the higher the energy consumption of the wine conditioning unit is.

When installing the wine conditioning unit, please note the following:

- The socket must be easily accessible in an emergency, not concealed behind the appliance.
- The plug and power cable must not touch the rear of the wine conditioning unit as they could be damaged by vibrations from the appliance.
- Do not plug in other appliances behind this wine conditioning unit.

If installation near a heat source is unavoidable, observe the following minimum distances between the appliance and the heat source:

- At least 3 cm to electric or gas stoves
- At least 30 cm to oil or coal-based stoves


If it is not possible to observe these minimum distances, an isolation plate must be installed between the wine conditioning unit and the heat source.

## Climate range

This wine unit is designed for use within specific ambient temperatures (climate range). Do not use in ambient temperatures for which it is not designed. The climate range is stated on the data plate inside the wine unit.

Climate range	Ambient temperature
SN	10 to 32 °C
N	16 to 32 °C
ST	16 to 38 °C
T	16 to 43 °C
SN-ST	10 to 38 °C
SN-T	10 to 43 °C

A lower ambient temperature will cause the compressor to switch off for longer periods, meaning that the wine unit is unable to maintain the required temperature in some circumstances.


 Risk of damage due to high humidity.

In environments with high humidity, condensation can build up on the external wine unit panels, which can cause corrosion.

Install the wine unit with sufficient ventilation in a dry and/or air-conditioned room.

After installation, make sure that the appliance door closes properly, the ventilation gaps are not covered and that the wine unit has been installed in accordance with these operating and installation instructions.

## Installation notes

 Risk of damage and injury from the wine conditioning unit tipping over.

The wine conditioning unit is very heavy and can tip forwards when the appliance door is open.

Keep the appliance door shut until the wine conditioning unit has been built in and secured in its building-in niche in accordance with these operating and installation instructions.

Due to its weight and size, the wine conditioning unit must be installed by two people.

## Adjoining cabinets/units

The wine conditioning unit is screwed to the adjoining cabinets/units to the side and above. For this reason, it is essential that all cabinets/units are fixed to the ground or wall.

# Installation

## Load-bearing capacity of the niche floor


To ensure the safe installation of the wine conditioning unit and to guarantee its correct functioning, the floor of the niche where the appliance is to be installed must be smooth and even. It must be made from strong, rigid material.

Because the wine conditioning unit is extremely heavy when fully loaded, it is essential that the floor it stands on is able to bear its weight. If necessary, seek the advice of an architect or construction expert.

When fully loaded, the weight of the wine conditioning unit is approx.:

KWT 26x2 Vi	674 kg
KWT 26x2 ViS	679 kg

## Ventilation

 Risk of fire and damage due to insufficient ventilation.


If the wine conditioning unit is not ventilated sufficiently, the compressor will run more frequently and for longer periods.

This will result in increased energy consumption and a higher operating temperature for the compressor. This may, in turn, cause damage to the compressor.

Please ensure that there is adequate ventilation around the wine conditioning unit.

It is essential to observe the required ventilation gaps. The ventilation gaps must not be covered or blocked in any way.

## Door hinge

 Risk of damage and injury when changing the door hinge.

Changing the door hinge single-handedly can cause damage to the appliance and injury.

The wine conditioning unit is supplied with fixed hinges. Under no circumstances should you attempt to change the door hinges yourself.

If you need to change the door hinges to the other side, please contact the Customer Service Department.

## Side-by-side

This wine conditioning unit can be installed side-by-side with another wine conditioning unit or refrigeration appliance. The following overview will show you which side-by-side installation options you have with your wine conditioning unit.

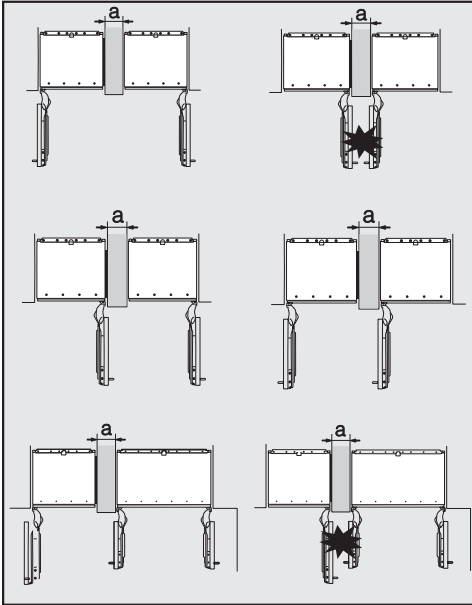
Depending on the installation situation, you will need the side-by-side installation kit for side-by-side installation (see “Accessories – Optional accessories”).

Instructions for installing appliances side-by-side can be found in the side-by-side installation kit installation instructions.



## ... with partition wall

The wall **a** between the side-by-side wine conditioning units/refrigeration appliances must be **at least 16 mm** thick.



If the door hinges of the appliances are next to each other, you must take into account the thickness of the furniture fronts and door handles so that the appliance doors do not collide and become damaged if they are opened at the same time.

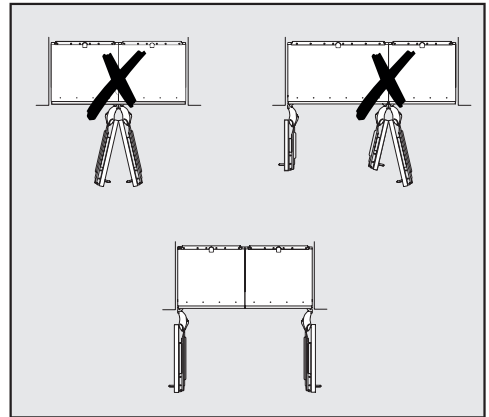
The wine conditioning units/refrigeration appliances are secured individually in their building-in niche using the supplied installation material.

If the partition wall **a** is **narrower than 160 mm**, you will need the side panel heater from the side-by-side installation kit to prevent condensation from forming and any resulting damage.

When planning building-in niches, please note that the niche into which the appliance with the side panel heater is installed must be **4 mm** wider (see “Installation – Installation dimensions”).

If the partition wall **a** is **thicker than 160 mm**, you do not need the side-by-side installation kit or the side panel heater.

## ... without partition wall

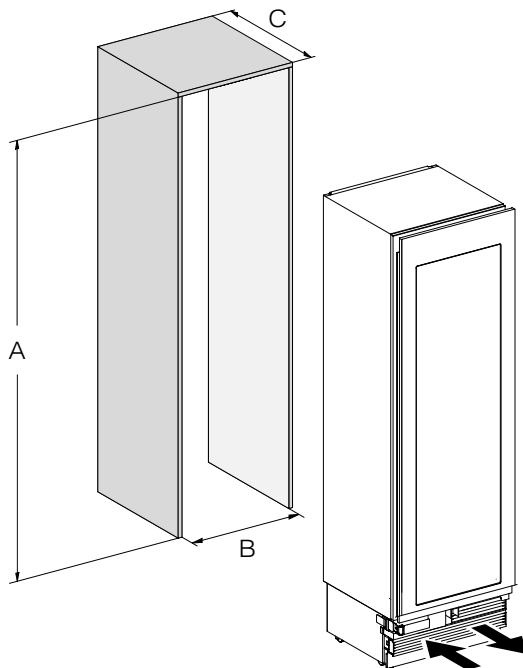


If the wine conditioning units/refrigeration appliances are to be installed next to each other without a partition wall between them, they will need to be joined together with the side-by-side installation kit. In addition, you must install the side panel heater to prevent condensation from forming and any resulting damage.

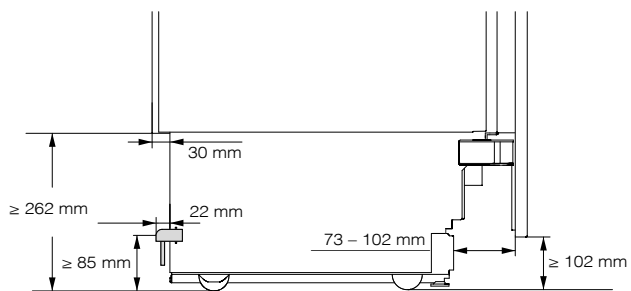
# Installation

---

## Building-in dimensions



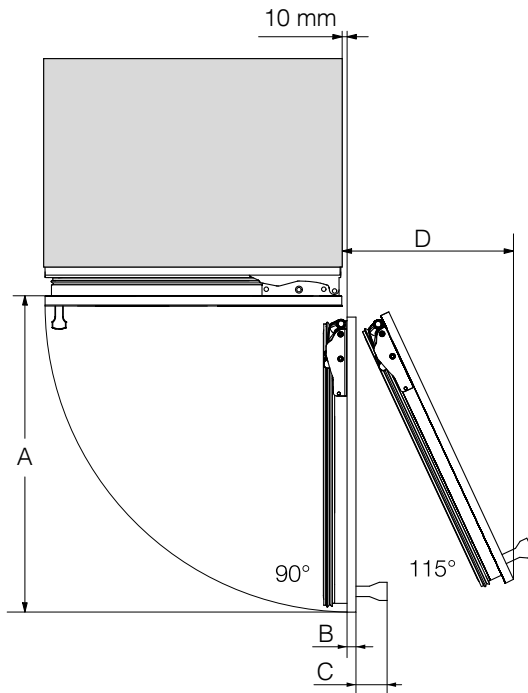
	A	B	C
KWT 26x2 Vi(S)	2134–2164 mm	610 mm	610 mm + furniture front (19–38 mm)



Side view

# Installation

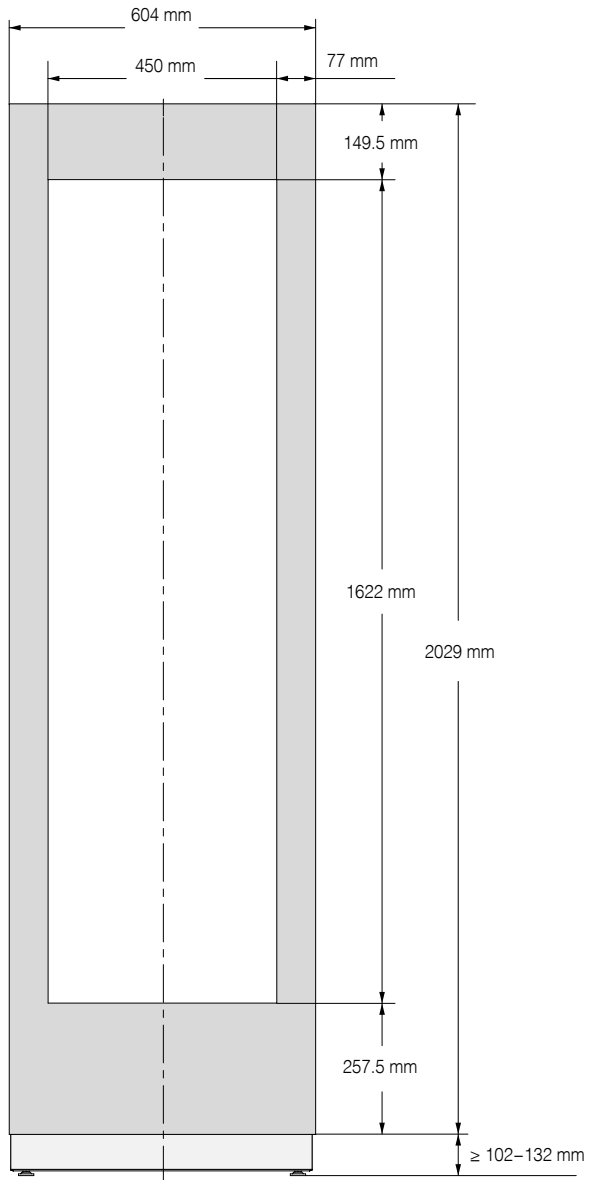
## Dimensions when the appliance door is opened (opening angle 90°/115°)



A	B*	C*	D (with a furniture front of 19 mm)
677 mm	Furniture front (19–38 mm)	Door handle	296 mm

\* The dimensions of the furniture front and the door handle vary depending on the design of the kitchen.

## Dimensions of the furniture front



# Installation

---

## Installing the wine conditioning unit

### Before starting ...

It is essential to read these operating and installation instructions carefully before starting to install the wine conditioning unit.

The wine conditioning unit should be installed by a suitably qualified installer in accordance with these operating and installation instructions. Safe operation of the wine conditioning unit is only assured if it has been installed and connected in accordance with these operating and installation instructions.



Risk of damage and injury from the wine conditioning unit tipping over.

The wine conditioning unit is very heavy and can tip forwards when the appliance door is open.

Keep the appliance door shut until the wine conditioning unit has been built in and secured in its building-in niche in accordance with these operating and installation instructions.

Due to its weight and size, the wine conditioning unit must be installed by two people.

### Tools required

- Cordless drill
- TX 20 screwdriver
- Hammer drill
- Drill bits in various sizes, depending on materials
- Hammer
- Open spanner
- Ratchet wrench, attachment: socket, 8 mm
- Adhesive tape
- Utility knife
- Pipe wrench
- Spirit level
- Tape measure
- Pencil

### Other

- Step ladder
- Sack truck

## Weight of the furniture front

Before fitting a furniture front, ensure that the weight of the furniture front does not exceed the maximum permitted weight:

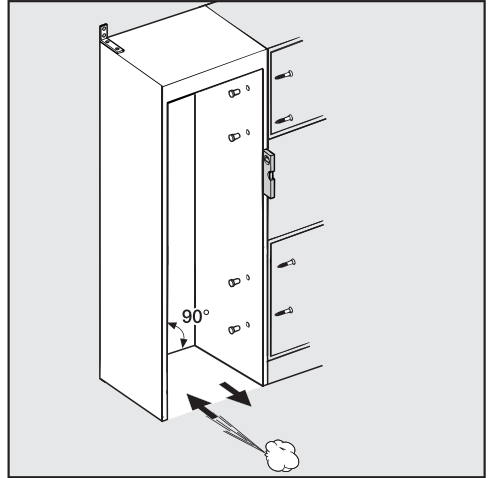
Wine conditioning unit	Max. weight of the furniture front
KWT 26x2 Vi(S)	73 kg

**!** If the furniture front is too heavy, this can cause damage.

Fitting a furniture front which is heavier than the maximum permitted weight could damage the hinges. This damage can affect various factors, such as operation of the appliance.

Before fitting a furniture front, ensure that the weight of the furniture front does not exceed the maximum permitted weight.

## Aligning the building-in niche



The building-in niche must be carefully aligned using a spirit level before the wine conditioning unit is installed. The niche corners must be at 90° angles to each other, otherwise the furniture front will not sit straight on all 4 corners of the building-in niche.

# Installation

## Checking the building-in niche

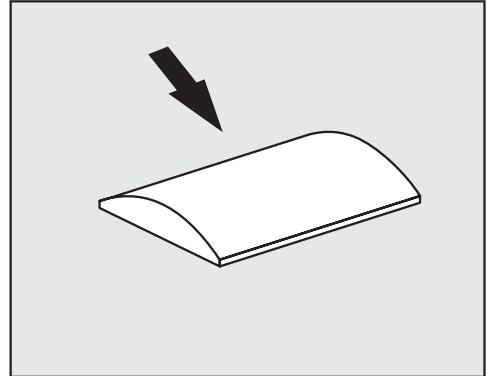
- Check the installation dimensions (see “Installation – Installation dimensions”).
- Check the position of the electrical connection. The length of the electrical connection cable is 3 m.

The electrical socket must not be concealed behind the appliance and must be easily accessible in an emergency.

- Check the surroundings for possible collisions (see “Installation – Dimensions with appliance door open”).
- Only install the wine conditioning unit in stable, solid building-in niches, positioned on an even and level floor.
- Also check the building-in niche for the following criteria:
  - The side walls of the building-in niche must be even.
  - The surrounding walls of the building-in niche must be at least 16 mm thick.
  - The surrounding walls must be securely fixed to the floor or wall.
  - Shortened side walls must be at least 100 mm deep.

## Before installation

- Before installation, remove any accessories from the back of the appliance.



⚠ Risk of damage due to insufficient ventilation.  
If the wine appliance is not sufficiently ventilated, this may cause mould to form and, in the long term, lead to damage to the outside of the wine appliance and in the installation niche.  
Do not remove the spacers from the outside of the appliance under any circumstances.  
Do not compress the spacers under any circumstances.  
The spacers guarantee the necessary distance between the refrigeration appliance and the installation niche.

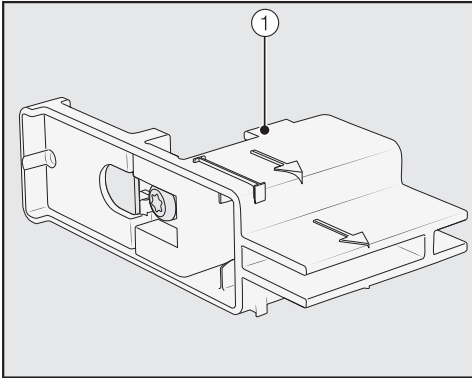
- Check the wine conditioning unit for transport damage.

Do not install the wine conditioning unit if it is damaged.

- Check that all parts at the back of the appliance are unhindered.



- To protect the floor when installing the wine conditioning unit, secure an off-cut of flooring or similar material to the floor in front of the installation area.

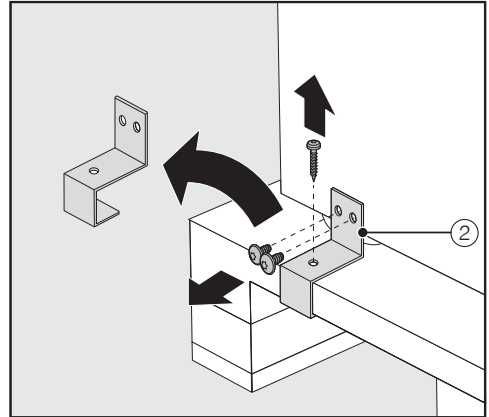


- Do **not** remove the installation aids ① from the appliance door. These will be required later for aligning the appliance in the building-in niche.

⚠ Risk of damage and injury from the wine conditioning unit tipping over.

As soon as you unscrew the brackets that fix the wine conditioning unit to the pallet, the appliance is no longer secured.

Due to its weight and size, the wine conditioning unit **must be installed by two people**.



- Unscrew the fixing brackets ②.
- With the help of several people as required, carefully lift the wine conditioning unit from the pallet, starting with the back of the appliance.

⚠ Risk of damaging the floor from the load.


Moving the wine conditioning unit can cause damage to the floor.

Move the wine conditioning unit carefully on floors that are sensitive to scratching.

As soon as you have set the wine conditioning unit upright, you can move it using the rollers on the bottom.

# Installation

## Preparing the building-in niche

 Risk of damage and injury from the wine conditioning unit tipping over.

The wine conditioning unit is very heavy and can tip forwards when the appliance door is open.

The building-in niche must be secured to the wall behind it and/or above it with several screws. Only this can ensure that the wine conditioning unit will not tip over after being installed in the building-in niche.

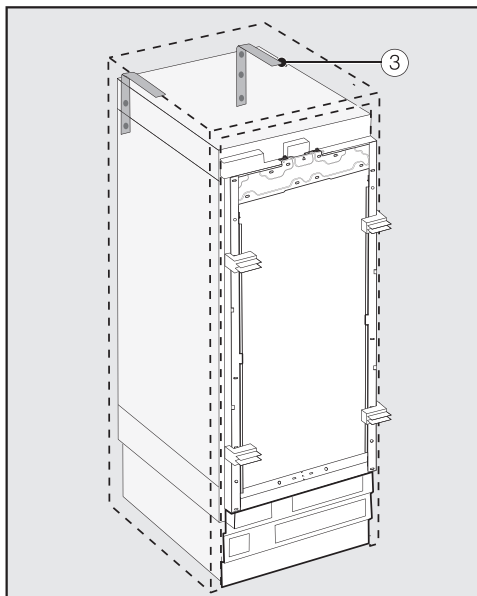
In addition, use the provided anti-tip brackets to secure the building-in niche.

Parts required for installation are supplied with the wine conditioning unit. The plastic bags supplied are marked with letters for easy identification.

- When performing the individual assembly steps, observe the letters specified and use the matching plastic bag with the required installation equipment.

The anti-tip brackets prevent the wine conditioning unit from tipping.

The anti-tip brackets are also used to fix the building-in niche securely to the surrounding walls.

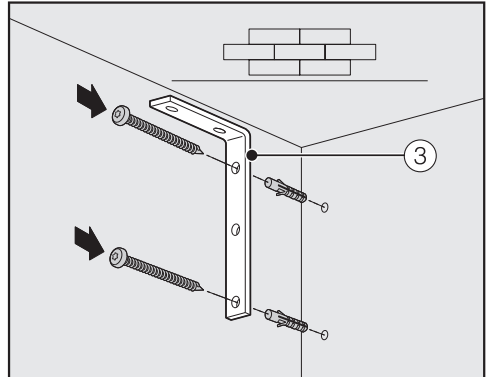
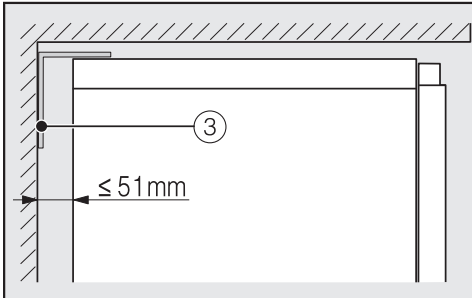


- Use 2 anti-tip brackets ③ for each individual appliance or 4 anti-tip brackets for each (side-by-side) combination of 2 appliances.
- Position the anti-tip brackets ③ on the left and right of the building-in niche.

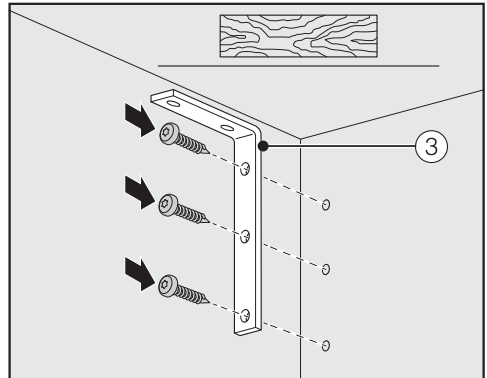
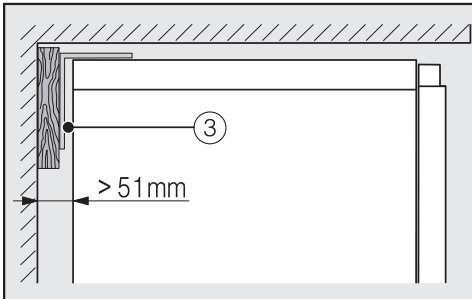
Depending on the subsequent adjustment of the feet, the anti-tip brackets are positioned 2134–2164 mm from the floor of the niche.

**⚠** Danger of injury and damage to the appliance due to the wine conditioning unit tipping over. If the anti-tip brackets are fixed too high up, they cannot be used to secure the wine conditioning unit. There must not be more than 8 mm between the anti-tip brackets and the wine conditioning unit.

The accessory pack supplied contains fixing screws for various applications/materials.



Securing to a concrete wall

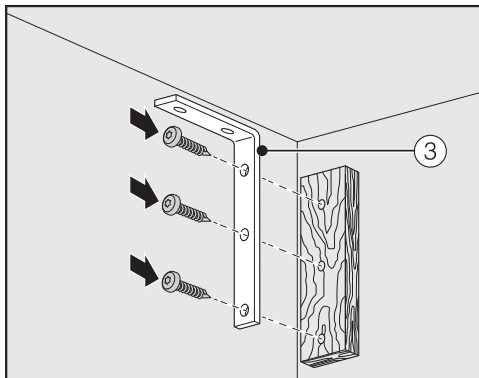


Securing to a wooden wall

- Make sure that the gap between the wine conditioning unit's rear wall and the building-in niche does not exceed 51 mm.
- Place a wooden wedge behind the anti-tip brackets ③ if necessary.
- While holding the anti-tip brackets in place, mark the necessary drill holes on the rear wall of the building-in niche.



# Installation



Securing with a wooden wedge

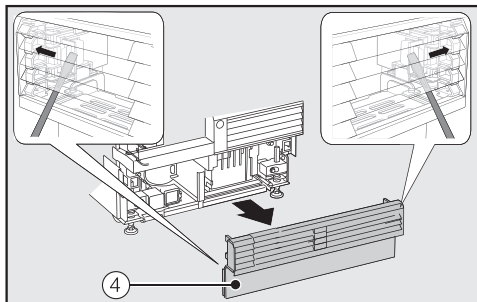
- Secure the building-in niche to the wall behind it and/or above it as required using the anti-tip brackets ③.

## Pushing the wine conditioning unit into the building-in niche

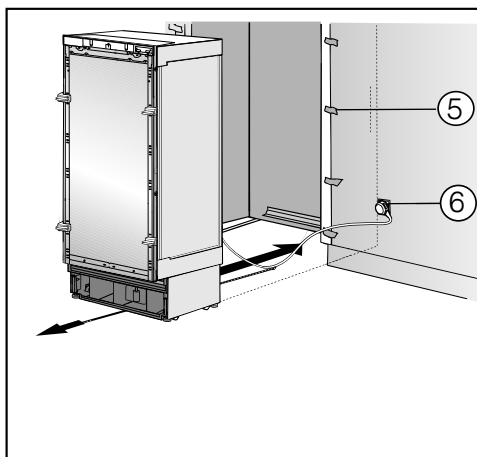
Take care not to damage the electrical connection whilst pushing the wine conditioning unit into the building-in niche.

If you are installing several appliances side by side, secure the wine conditioning units/refrigeration appliances to one another now (see the installation instructions for the side-by-side installation kit).

To ensure that the wine conditioning unit can then be aligned correctly, the plinth must be removed from the appliance base.



- Carefully guide a flat-head screwdriver through the grate in the plinth ④ on both sides and use it to push the internal plastic latches outwards to release the plinth.
- Place the plinth to one side.



- Affix edge protection ⑤ to the adjacent furniture fronts.
- Insert the plug connector at the back of the wine conditioning unit (see “Electrical connection” in “Installation”).
- Insert the plug ⑥ into the socket.

The electrical socket should be close to the wine conditioning unit and easily accessible.

**⚠** Risk of damage due to electrical overload.

If the wine conditioning unit is electrically overloaded, this can cause a short circuit and therefore damage to your appliance.

When you install appliances side by side, each appliance must have its own separate electrical socket.

**Tip:** Secure the power cable to prevent it becoming caught: tie a piece of string to the middle of the power cable and as the wine conditioning unit is being pushed into the niche, pull the cable forward underneath the appliance.

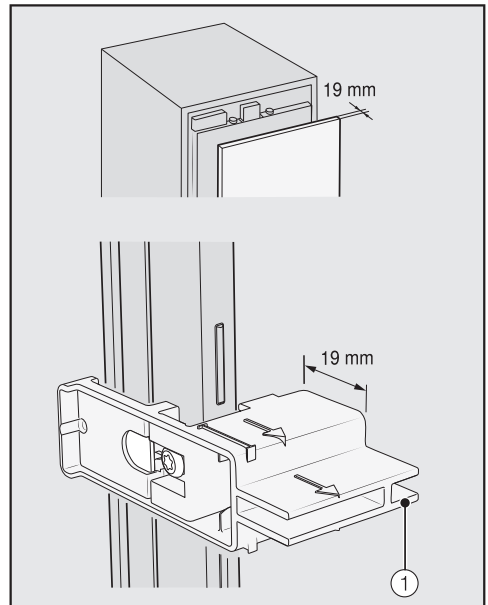
- Push the wine conditioning unit into the building-in niche.
- If the wine conditioning unit cannot be pushed into the building-in niche (because the floor is uneven, for example), unscrew the rear feet slightly (see “Aligning the wine conditioning unit” in “Installation”) and slide the appliance into the niche.
- Remove the edge protection ⑤ from the adjacent furniture fronts.

## Aligning the wine conditioning unit

The installation aids ① on the appliance door provide assistance with the alignment of the wine conditioning unit in the building-in niche.

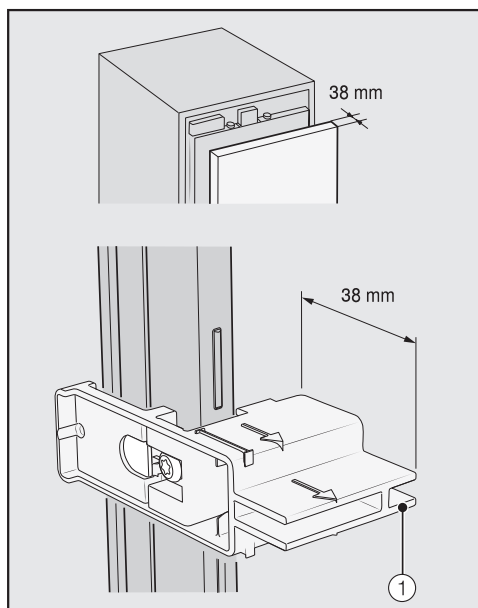
The installation aids are suitable for a furniture front thickness of 19 mm or 38 mm.

- Align the wine conditioning unit with adjacent furniture fronts as described below.




Furniture front thickness of 19 mm

# Installation

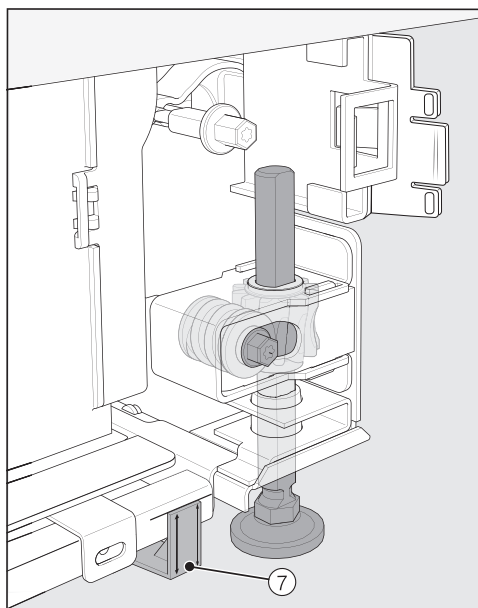


Furniture front thickness of 38 mm

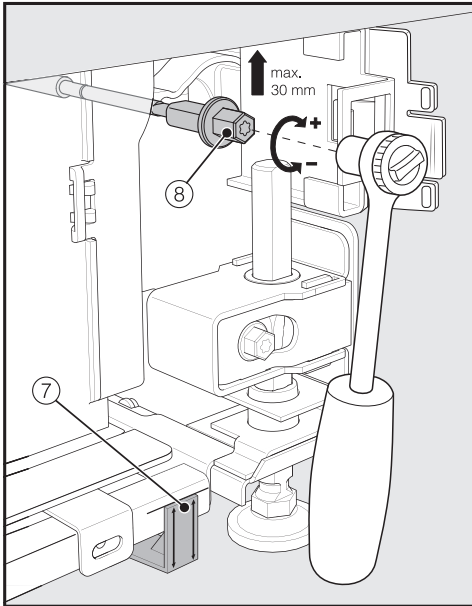
The adjustable feet at the front and back of the appliance can all be adjusted from the front of the appliance.

 Risk of damage due to incorrect feet adjustment.

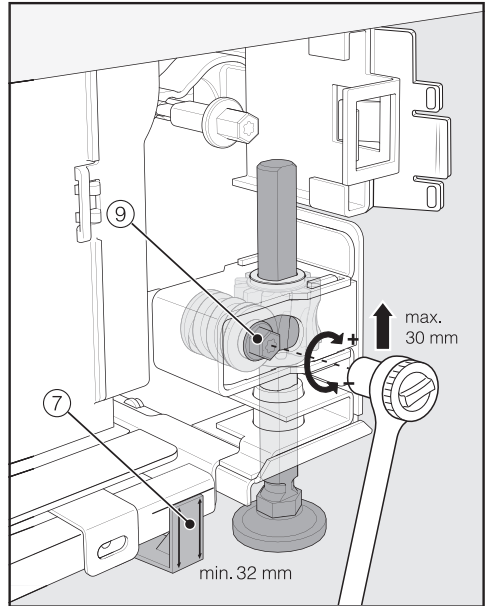
You may damage the adjustable feet if you use a cordless screwdriver. Always adjust the front and rear feet by hand.



- Position the supplied spacers ⑦ on both sides on the markings next to the adjustable feet at the front of the wine conditioning unit.

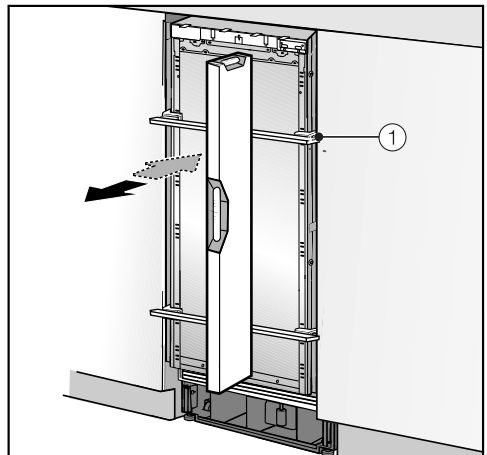


- Adjust the rear feet with a ratchet (attachment: socket, 8 mm) or a TX 20 screwdriver (8).



- Adjust the front feet with a ratchet (attachment: socket, 8 mm) or a TX 20 screwdriver (9).


**Tip:** Proceed carefully when adjusting the feet, alternating between the left and right feet.



# Installation

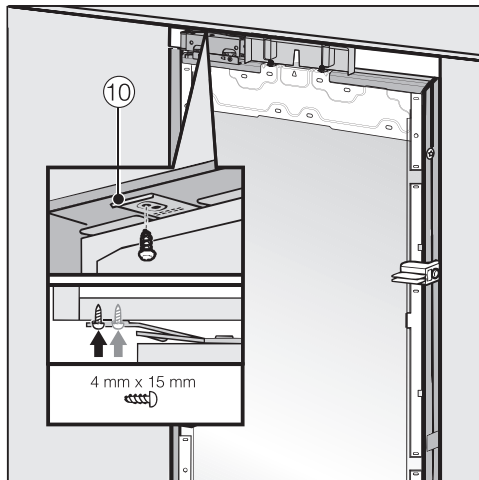
- Place a spirit level across the installation aids ① on the appliance door to check the wine conditioning unit's alignment.
- Unscrew the adjustable feet ⑧ and ⑨ on both sides at least until the marking on the plinth has reached the specified distance of 32 mm on the spacer ⑦. The standard dimension of 32 mm relates to a niche height of 2134 mm.

It is important to adjust the feet to a height of at least 32 mm so that the ventilation of the wine conditioning unit via the plinth functions correctly.

 Risk of damage if the feet are adjusted too much. The rear adjustable feet can be damaged. Unscrew the feet **only until** the marking on the plinth is aligned to a maximum of 62 mm (max. niche height of 2164 mm).

- Check the alignment of the wine conditioning unit again using the installation aids ① and the spirit level.

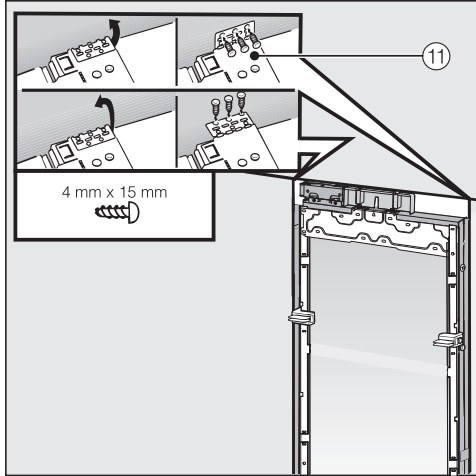
## Securing the wine conditioning unit in the building-in niche



- Screw the lugs for the fixing plate ⑩ into the cabinets/units above the appliance.

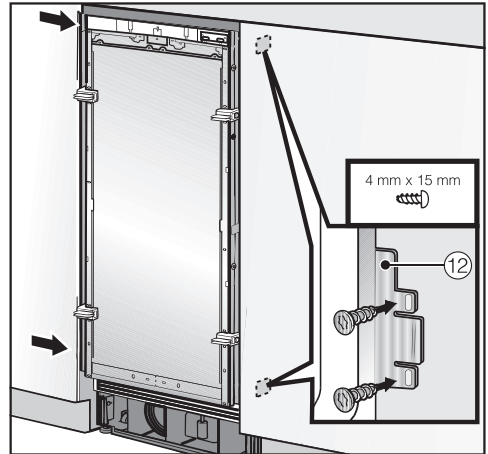


If it is not possible to secure the wine conditioning unit at the top, it can be attached to the building-in niche with the side fixing plates:



- Open out the side fixing lugs ⑪.
- Screw the side fixing lugs ⑪ to the adjacent cabinets/units.

- Open the appliance door.



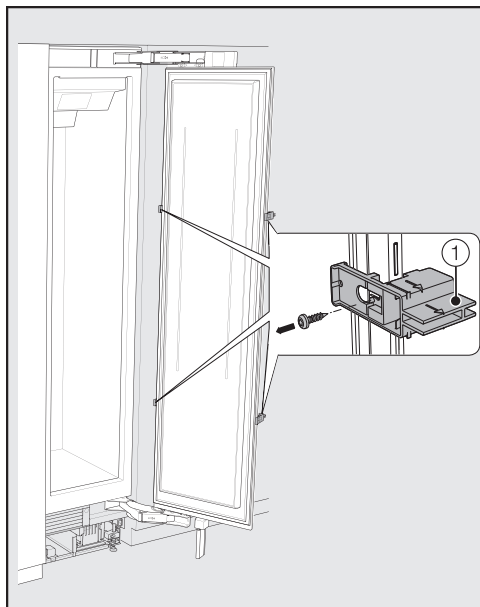
- Screw the fixing plate lugs ⑫ at the top and bottom to the cabinets/units adjacent to the appliance.

In a side-by-side combination, only the external panels of the wine conditioning units/refrigeration appliances can be secured to the adjacent cabinets/units.

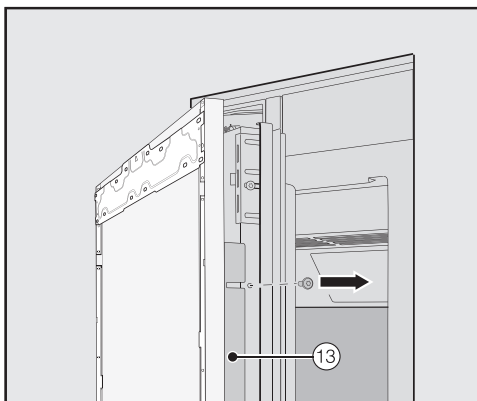
# Installation

## Preparing to install the furniture fronts

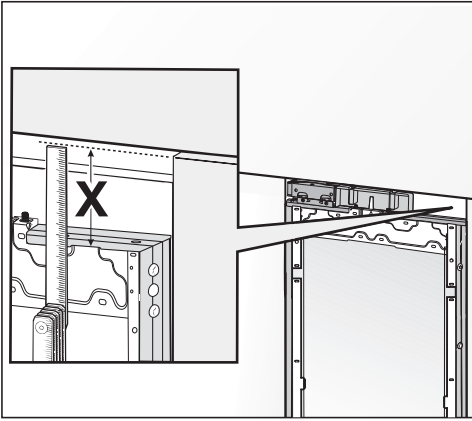
- Open the appliance door as far as it will go.



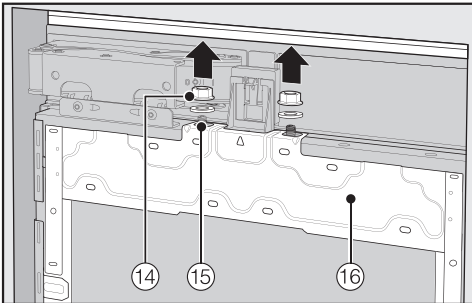
- Unscrew the installation aids ① from the appliance door.



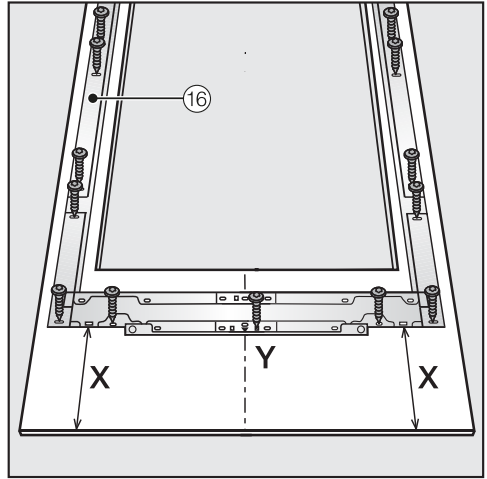
- Unscrew the angle trims ⑬ from both sides of the appliance door and place the trims and screws to one side – they will be required later.
- Close the appliance door.



- Measure the gap **X** between the mounting frame and the upper edge of the adjacent furniture front.



- Remove the nuts and washers **14** from the threaded bolts **15** and store them in a safe place – they will be required later.
- Take the mounting frame **16** off the appliance door by removing it upwards.

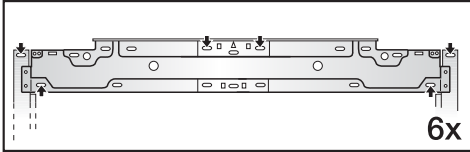


- Place the furniture front on a firm surface, with the external side facing downwards (place on a blanket or similar to prevent it from becoming scratched).
- Mark the distance **X** -3 mm on the inner side of the furniture front.
- Also locate and mark the centre point **Y** on the furniture front.
- Position the mounting frame **16** according to the markings on the furniture front.
- Pre-drill the holes.



- Screw the mounting frame **16** to the furniture front:  
Use at least one screw for each retaining point on the mounting frame **16**.

## Installation

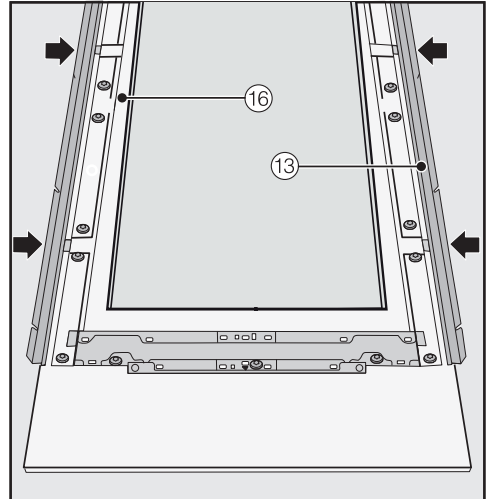


- Secure the mounting frame ⑯ to the top of the furniture front, using at least 6 screws.

The mounting frame has several different types of holes to take account of a variety of furniture fronts.

When securing the frame, always screw into the strongest part of the furniture front. To do this, select screws which are slightly shorter than the thickness of the furniture front.

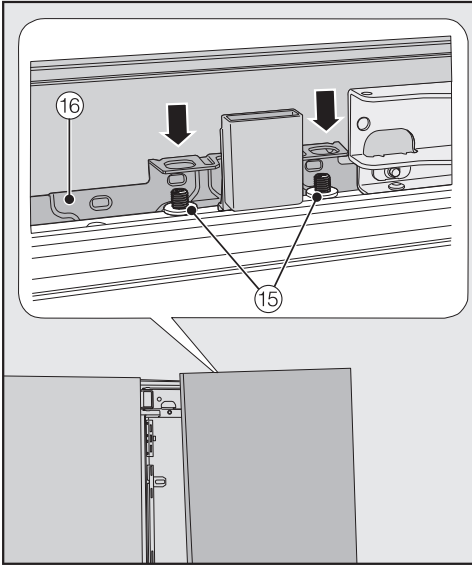
- Screw the appliance handle to the furniture front from the inside if necessary (not for handle-free kitchens).



- Now insert the angle trims ⑬ on both sides as far as they will go into the provided spaces in the mounting frame ⑯.

## Securing and aligning the furniture front

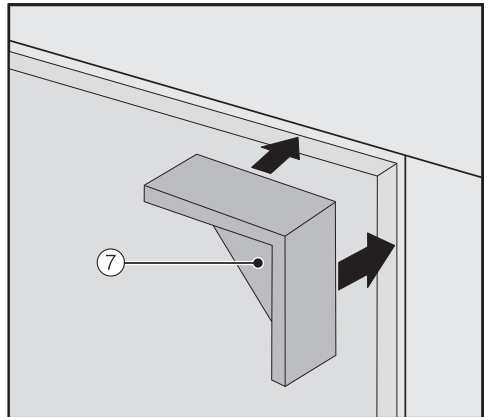
E



- Open the appliance door and hang the furniture front on its frame (16) onto the threaded bolts (15).

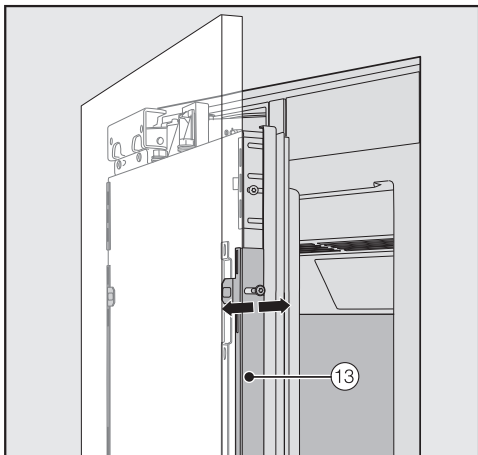


- Press the angle trims (13) into the white plastic frame on both sides from the outside and screw them on loosely at first. Spare screws are provided in the plastic bag marked with the letter E.

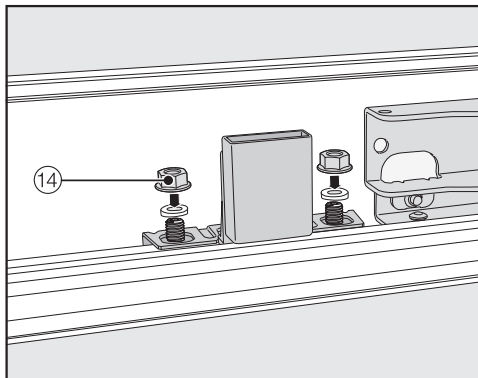


- Place the spacers (7) on top of the corners of the furniture front on both sides.
- Close the appliance door and check the distance between the door and adjacent furniture doors.

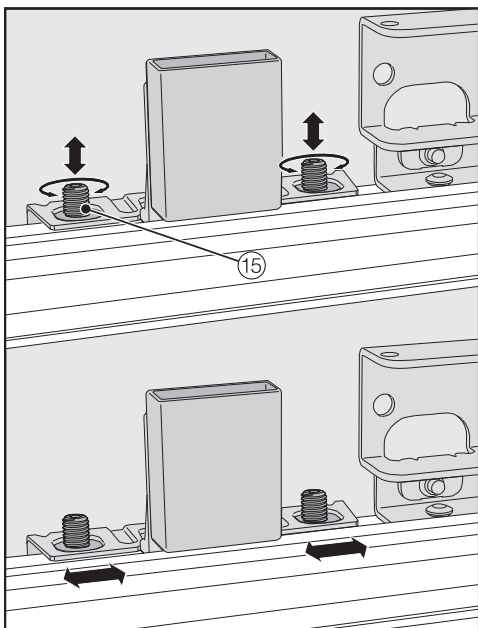
# Installation



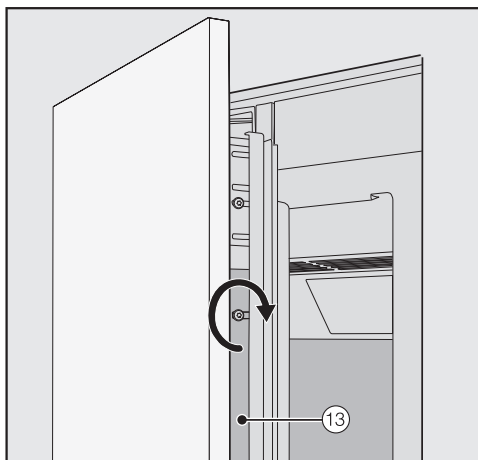
- Align the depth of the furniture front via the gaps in the angle trims 13.



- Place the washers and nuts 14 back in position and tighten the nuts 14. The furniture front is now secured.



- Align the height and sides of the furniture front using the threaded bolts 15.
- Close the appliance door and check the distance between the door and adjacent furniture fronts again.



- Now tighten the screws in the angle trims 13.
- Open the appliance door.
- Remove the spacers 7 from the furniture front.

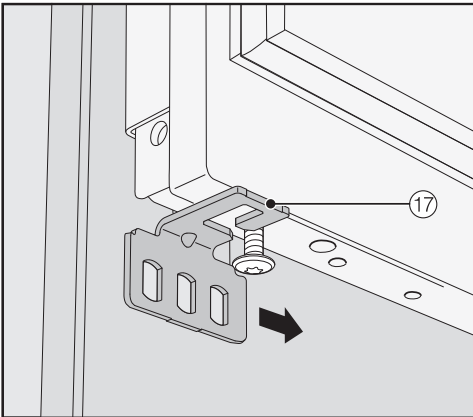
## Mounting the fixing brackets



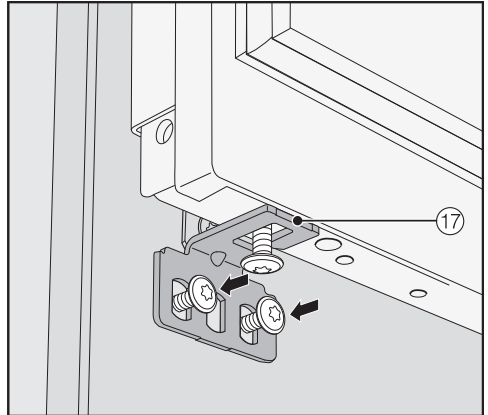
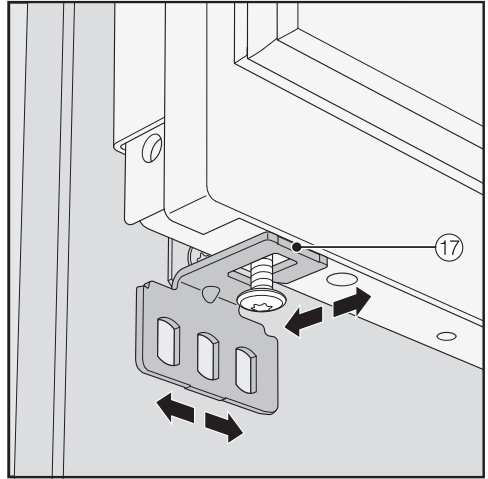
The fixing bracket is used to secure the furniture front to the bottom of the appliance door.

Do not mount the fixing brackets until the wine conditioning unit (or side-by-side combination, if applicable) has been installed and the furniture fronts have been aligned.

- Open the appliance door as far as it will go.

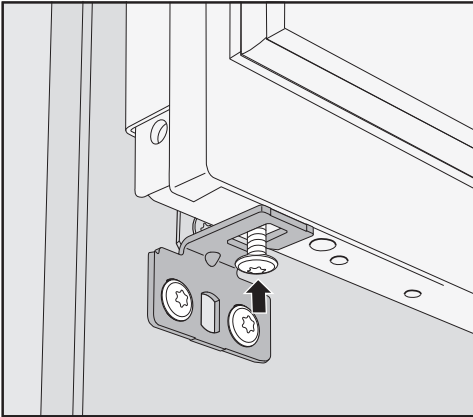


- Slide the fixing bracket 17 from the outside onto the screw at the bottom of the appliance door.

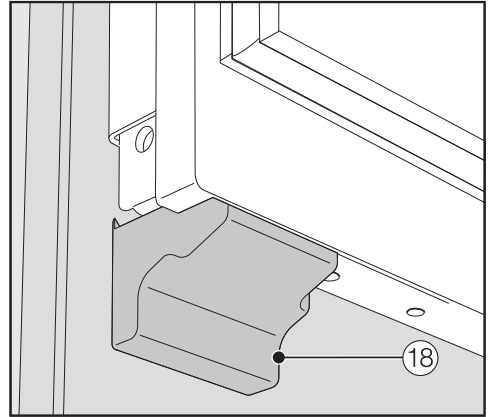


- Screw the fixing bracket 17 securely to the furniture front.

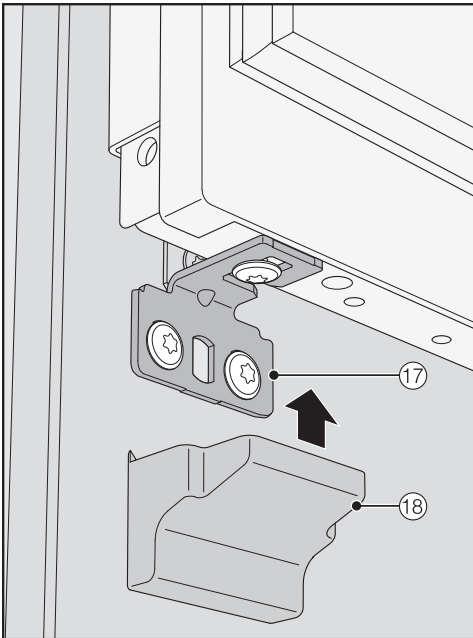
# Installation



- Tighten the screw at the bottom of the appliance door.

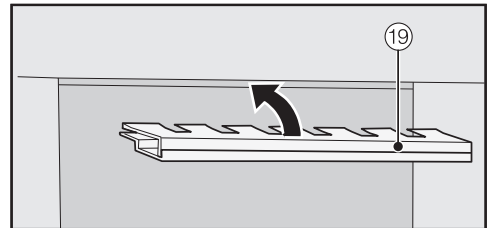


- Click the covers 18 onto the fixing bracket.

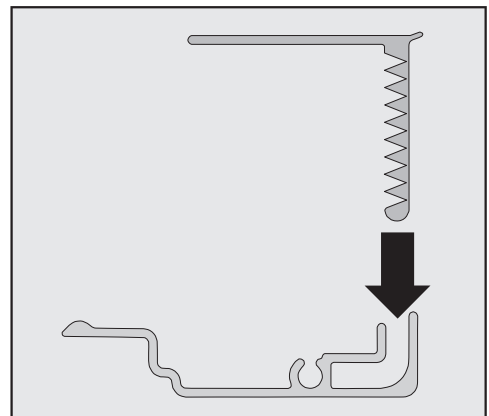


- Fit the cover 18 over the fixing bracket 17.

## Securing the covers

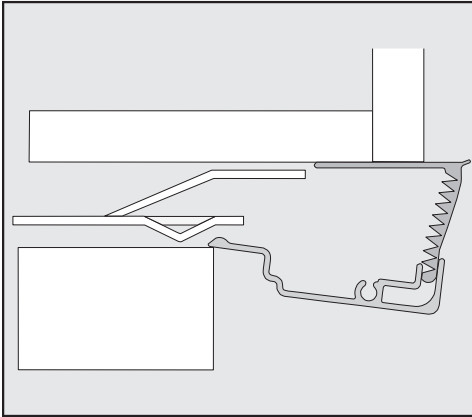


- Before the cover 19 can be installed in the gap above the wine conditioning unit, it must be assembled as follows:

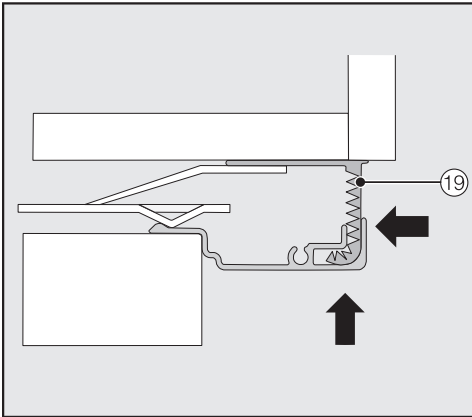


- Insert the two parts of the cover into one another.



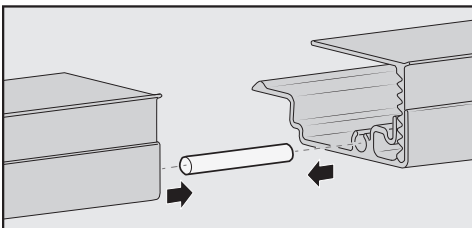


Cover viewed from the side

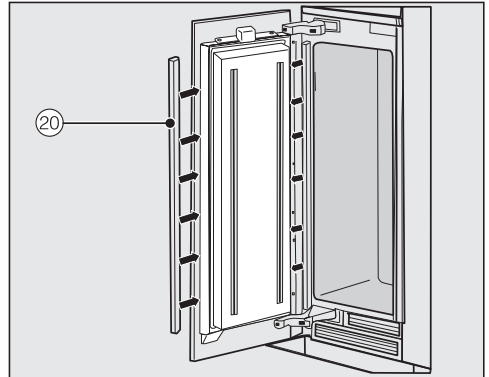


- Place the assembled cover ⑱ into the gap above the wine conditioning unit so it clicks into place. While doing so, slide both parts of the cover together as required.

## Installing the cover in a side-by-side combination

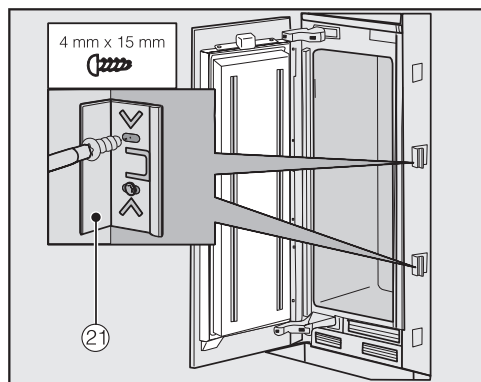


- Insert the pin (from the side-by-side installation kit) halfway into the channel in the cover for the left-hand appliance.
- Place the second cover onto the pin and press the two covers together.
- Click the two covers together into the gap above the appliances.

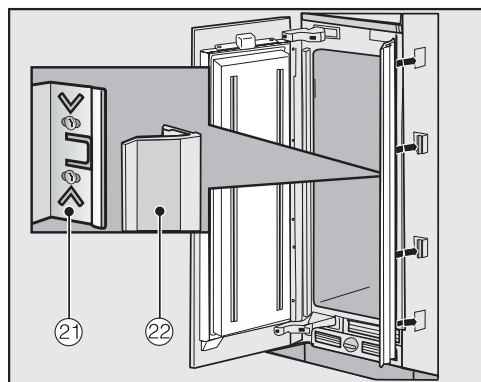


- Fit the plastic covers ⑳ on both sides of the appliance door by clicking them into the gap between the appliance door and the furniture front, starting at the bottom and working up to the top.

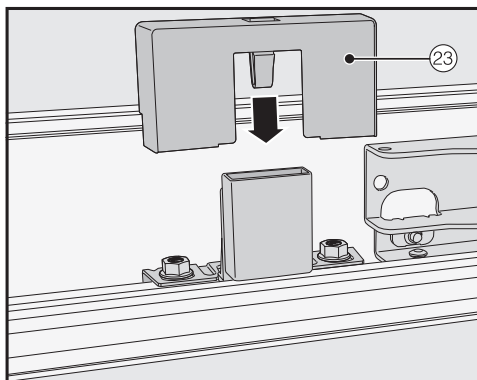
# Installation



- Secure both sides of the wine conditioning unit using at least 3 clips (21) for the covers.

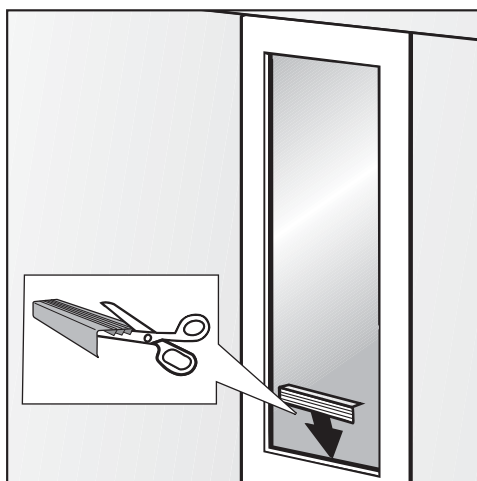


- Now attach the covers (22) onto the retaining clips (21) on each side. In the case of side-by-side installation, the covers are only required on the outer side.

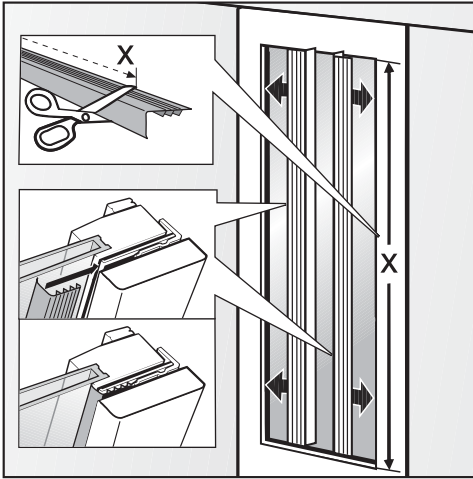


- Fit the cover (23) onto the light contact switch.

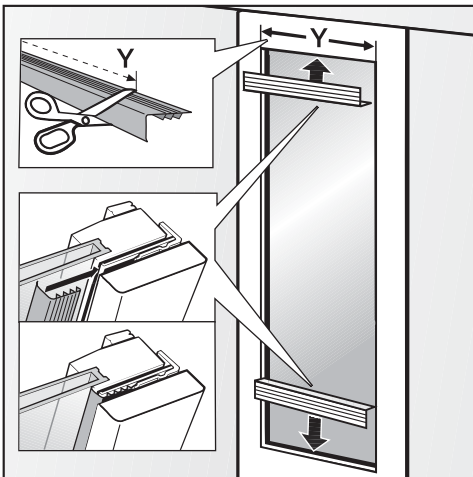
## Fitting the door trim



- Cut the door trim to the width of the cut-out in the furniture front as required. An extra length of trim is supplied to help calculate the length required.

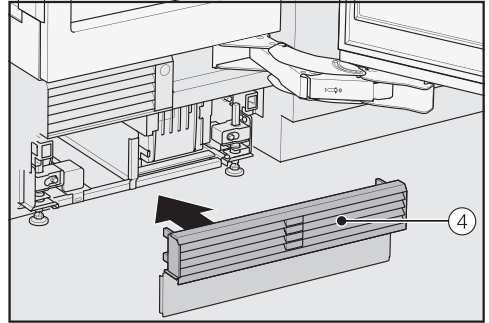


- Trim the long pieces of door trim for the right and left sides to the length required X.
- Fit the door trim into the gap between the furniture front and the glass.

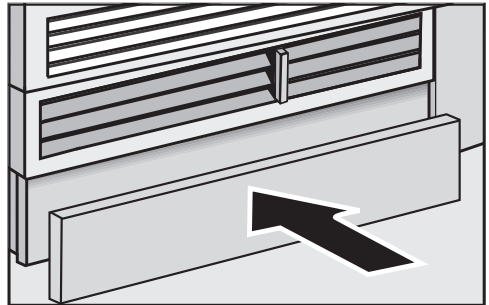


- Cut the short pieces of door trim for the top and bottom of the door to the length required Y.
- Fit the door trim into the gap between the furniture front and the glass.

## Securing the plinth ventilation grille and plinth panel



- Click the plinth ventilation grille ④ onto the bottom of the plinth.



- If necessary, cut the plinth panel to the required length and height (cut along the lower edge of the plinth where it touches the floor).
- Secure the plinth panel to the bottom of the plinth ventilation grille.

# Installation

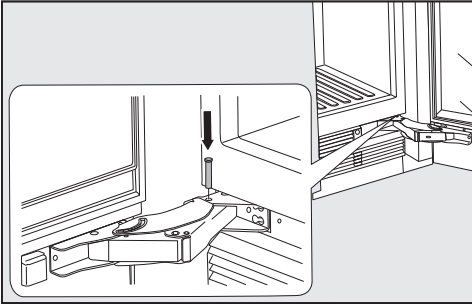
---

## Limiting the opening angle of the appliance door



The door hinges on the wine conditioning unit are set ex-works to enable the appliance door to be opened wide.

If the appliance door hits an adjacent wall when opened, for example, the opening angle can be limited to 90°.



- Open the appliance door.
- Insert the pin into the lower hinge from above.

This will limit the opening angle of the appliance door to 90°.

## Electrical connection

The refrigeration appliance must only be connected to an earthed socket using the mains connection cable supplied.


The socket must be easily accessible after the refrigeration appliance has been installed. If the socket is not easily accessible, ensure that a suitable means of disconnection is provided on the installation side for each pole.

 Risk of fire from overheating.

Connecting the refrigeration appliance to a multi-socket plug adapter or to an extension lead can overload the cable.

For safety reasons, do not use an extension lead or multi-socket adapter.

The electrical installation must comply with VDE 0100 requirements.

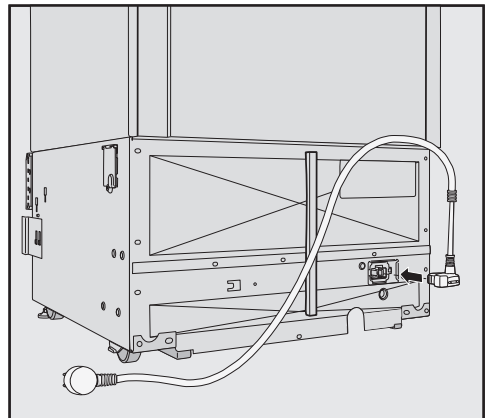
For safety reasons, we recommend using a type  residual current device (RCD) in the assigned electrical installation for connecting the refrigeration appliance.

If the mains connection cable is damaged, it must only be replaced with a specific mains connection cable of the same type (available from the Miele Customer Service Department). For safety reasons, such replacement may only be carried out by a qualified specialist or the Miele Customer Service Department.

These operating instructions and the data plate indicate the nominal power consumption and the appropriate fuse rating. Compare this information with the data of the on-site electrical connection. If in any doubt, consult a qualified electrician.

Temporary or permanent operation on an autonomous power supply system or a power supply system that is not synchronised with the mains power supply (e.g. island networks, back-up systems) is possible. A prerequisite for operation is that the power supply system complies with the specifications of EN 50160 or an equivalent standard. The function and operation of the protective measures provided in the domestic electrical installation and in this Miele product must also be maintained in isolated operation or in operation that is not synchronised with the mains power supply, or these measures must be replaced by equivalent measures in the installation. As described, for example, in the current version of VDE-AR-E 2510-2.

## Connecting the wine conditioning unit



■ Insert the plug connector into the socket at the back of the wine conditioning unit.

Make sure that the plug connector has clicked into position correctly.

■ Insert the plug of the wine conditioning unit into the socket.

# Installation

---

The wine conditioning unit is now connected to the electricity supply.

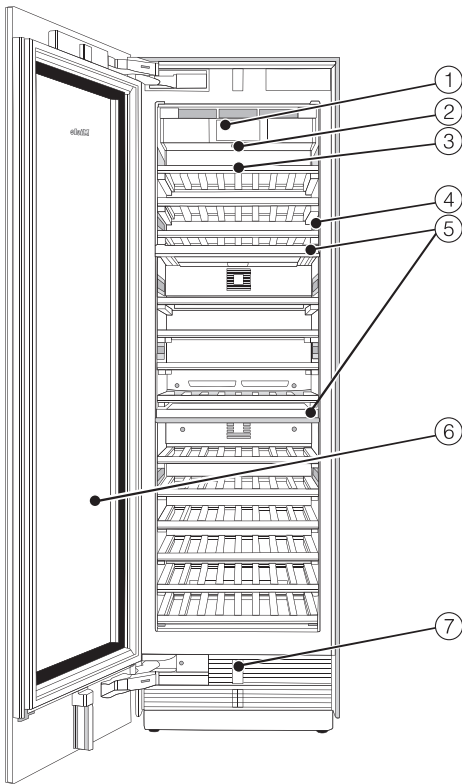
## Saving energy

	<b>Normal energy consumption</b>	<b>Increased energy consumption</b>
<b>Installation / Maintenance</b>	In a ventilated room.	In an enclosed, unventilated room.
	Protected from direct sunlight.	In direct sunlight.
	Not near to a heat source (radiator, oven).	Near to a heat source (radiator, oven).
	Where the ideal ambient room temperature is approx. 20 °C.	Where the ambient room temperature is above 25 °C.
	Ventilation gaps uncovered and dusted regularly.	Ventilation gaps covered or dusty.
<b>Temperature setting</b>	10 to 12 °C	The lower the temperature, the higher the energy consumption.

## Saving energy

	<b>Normal energy consumption</b>	<b>Increased energy consumption</b>
<b>Use</b>	Wooden shelves arranged as they were when the appliance was delivered.	
	Only open the door when necessary and for as short a time as possible. Store wine bottles in an organised way.	Frequent opening of the door for long periods will cause a loss of coldness. The wine conditioning unit works harder to cool down and the compressor runs for longer periods.
	Do not over-fill the appliance to allow air to circulate.	Poor air circulation will cause a loss of coldness.



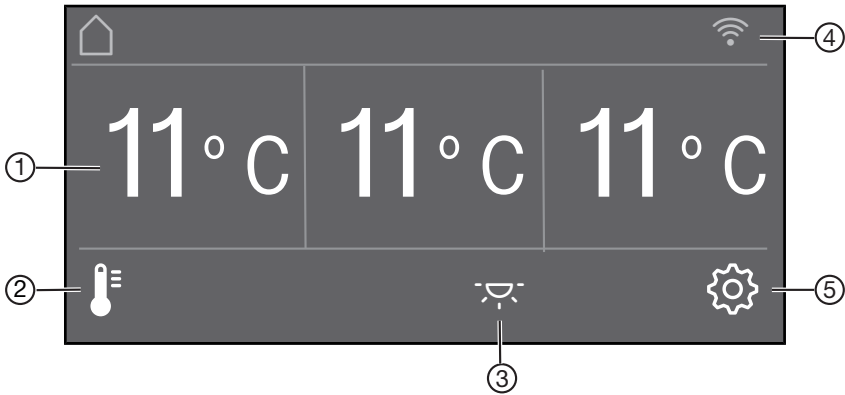


- ① Display
- ② On/Off switch
- ③ Wooden shelves with labels
- ④ Interior lighting
- ⑤ Isolator plate for thermal separation of the wine conditioning zones
- ⑥ Glass door with UV filter
- ⑦ Automatic door opening (Push2open/Pull2open)

# Guide to the appliance

---




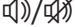

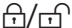



## Main screen



- ① Temperature display (target temperature) for the 3 wine conditioning zones
- ② 🌡️ sensor control  
For setting the temperature and humidity  $\Delta$
- ③ 💡 sensor control  
For switching the interior lighting on and off when the appliance door is closed (ambient lighting)
- ④ Display for Miele@home connection status  
(only visible when the Miele@home function has been set up)
- ⑤ Settings mode ⚙️  
sensor control for adjusting various settings in Settings mode






## Settings mode

In Settings mode, you can select the following appliance functions and alter their settings to some extent:


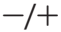


Symbol		Function
	Language	Set
	Display brightness	Adjust (darker to brighter)
	Colour scheme	Set (dark or bright)
	Buzzer tones	Adjust the volume or switch off the Buzzer tones completely (e.g. for the door alarm)
	Keypad tone	Adjust the volume or switch off the Keypad tone completely
°F/°C	Temperature unit	Set (°Fahrenheit or °Celsius)
	Keypad lock	Switch on or off (see “Selecting additional settings”)
	Self test	The system restarts and is checked for faults or malfunctions (see “Selecting additional settings”)
	Door assistant	(Push2open or Pull2open) Switch on or off (see “Selecting additional settings”)
	Miele@home	Set up, deactivate or query WiFi connection status (see “Selecting additional settings”)

# Guide to the appliance

---

	Demo mode	Switch off * (only visible when Demo mode, is switched on see “Selecting additional settings”)
	Factory default settings	Reset to default settings (see “Selecting additional settings”)
	Ambient lighting	Choose between 5 different settings for ambient lighting (see “Selecting additional settings”)
	Ambient display	Set the appearance of the display when the appliance door is closed (see “Selecting additional settings”)
	Sabbath mode	Switch on or off (see “Selecting additional settings”)

## Symbols in Settings mode

	Scroll in Settings mode or select a setting
	Change a setting (e.g. display brightness)
	Confirm a setting
	Exit the menu level

## Accessories supplied

### Appliance plug

### Chalk

Use the chalk to annotate the magnetic strips on the wooden shelves to identify your wines quickly and easily.

## Optional accessories

A range of useful Miele accessories and care products are available for your wine conditioning unit.

### Multi-purpose microfibre cloth

The microfibre cloth is suitable for removing fingerprints and light soiling from surfaces such as stainless steel, glass, plastic and chrome without the use of chemicals.

### Stainless steel front panel

Stainless steel front panels give your wine conditioning unit a high-quality appearance.

Handles and plinth panels are also available in a stainless steel look.

### Side-by-side installation kit

To install two or more wine conditioning units/refrigeration appliances next to one another, you will need the side-by-side installation kit (see “Side-by-side” in “Installation”).

### Hinge pocket

If the door hinging needs to be changed on your wine conditioning unit, the upper toe-kick ventilation grille must be converted. A new hinge pocket is required in order to do this.

The door hinging must only be changed by the Miele Customer Service Department.

Accessories are available to order via the Miele Webshop, from Miele directly (see back cover for contact details) or from your Miele dealer.

# Initial commissioning

---

## Before using for the first time

Allow the wine conditioning unit to stand for approx. 1 hour before connecting it to the power supply. This will prevent potential functional problems with the wine conditioning unit.

## Packaging material

- Remove all packaging material from the inside of the appliance.

Always remove all packaging material, including adhesive tape, **before** switching on the wine conditioning unit. The adhesive tape is difficult to remove from cold surfaces.


## Cleaning the wine unit

Please refer to the relevant instructions in “Cleaning and care”.

- Clean the inside of the appliance and the accessories.

## Choosing the right door assistant (Push2open/Pull2open)

The door assistant helps you to open the appliance door.

You can choose between the two door assistants Push2open and Pull2open (see “Selecting additional settings – Switching on the Door assistant ”).

The default door assistant is Push2open.

- Select the Pull2open door assistant if your wine conditioning unit has a furniture front with a handle.
- Select the Push2open door assistant if your wine conditioning unit has a handle-free furniture front.

## Miele@home

Your wine conditioning unit is equipped with an integrated WiFi module.

Networking is deactivated at the factory.

You will need:

- A WiFi network
- The Miele@mobile app
- A Miele user account The user account can be created via the Miele@mobile app.

The Miele@mobile app will guide you as you connect your wine conditioning unit to your home WiFi network.

Once your wine conditioning unit is connected to your WiFi network you can use the app to carry out the following activities, for example:

- Call up information on the operating status of your wine conditioning unit
- Change the settings on your wine conditioning unit

Connecting your wine conditioning unit to your WiFi network will increase energy consumption, even when the wine conditioning unit is switched off.

Make sure that the signal of your WiFi network is sufficiently strong in the place where you want to set up your wine conditioning unit.

## Availability of the WiFi connection

The WiFi connection shares a frequency range with other appliances (including microwave ovens and remote control toys). This can give rise to sporadic or even complete connection failures. Therefore, the availability of featured functions cannot be guaranteed.

## Miele@home availability

The ability to use the Miele app depends on the availability of the Miele@home service in your country.

The Miele@home service is not available in every country.

For information about availability, please visit [www.miele.com](http://www.miele.com).

## Miele App

The Miele App is available to download free of charge from the Apple App Store® or from the Google Play Store™.



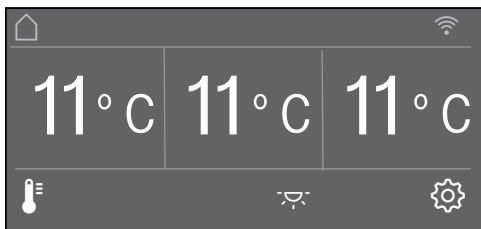
# Initial commissioning

## Operating the wine conditioning unit

The touch display can be scratched by pointed or sharp objects, e.g. pens.


Only touch the display with your fingers.


If your fingers are cold, the touch display may not react.




The sensor controls underneath the temperature display can be **selected** directly by touch; the symbols and text in or above the temperature display can only be **displayed**.


## Settings mode

In Settings mode , you can select different wine conditioning unit functions and alter their settings to some extent (see “Selecting additional settings”).

- Touch the  sensor control to open Settings mode.
- Use the < and > sensor controls to select the function for which you wish to adjust the settings.
- Confirm your selection with *OK*.
- Adjust the settings using either the < and > sensor controls or the + and – sensor controls.
- Confirm your selection with *OK*.

The setting with the **coloured** background is always the **selected** setting; it can be confirmed directly with *OK*.

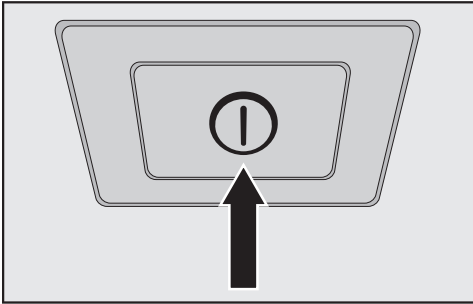
- Touch the  sensor control if you wish to switch to the previous menu level or terminate the process.

Every touch of the display is confirmed with an audible keypad tone. You can switch off this keypad tone in Settings mode .



## Starting up for the first time

- Open the appliance door.





- Switch the wine conditioning unit on by pressing the on/off switch.


The on/off switch is located below the display.

The wine conditioning unit will start to cool and the interior lighting will come on when the appliance door is opened.

Miele will appear in the wine conditioning unit display.

- When you switch the wine conditioning unit on for the first time, you will be asked to make the following settings:
  - Set the Language (if you accidentally select the wrong Language, return to Settings mode  and use the  symbol to change the language)
  - Set the Temperature unit: °C (degrees Celsius) or °F (degrees Fahrenheit)
  - Set up Miele@home:
- Select Continue if you wish to set up Miele@home now (to do this, follow the instructions under “Miele@home” in “Selecting additional settings”).
- Select Skip if you would prefer to set up Miele@home later.

- Use the < and > sensor controls to select the right setting and select OK to confirm your selection.

- Touch the  sensor control if you want to return to the previous menu level.

Set-up successful will appear on the display.

- Confirm the start-up process with OK.

The main screen will appear on the display (see “Main screen” in “Appliance description”).

You cannot terminate the initial start-up process. The only way to terminate the process is to switch off the wine conditioning unit, though the process will continue when the appliance is switched back on.

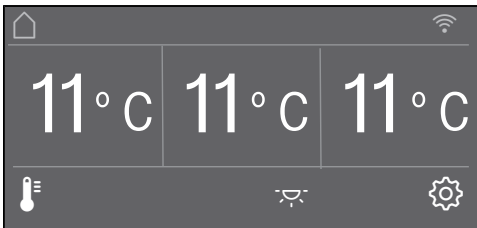
# Switching on and off


## Switching the wine conditioning unit on

- Open the appliance door.
- Switch the wine conditioning unit on by pressing the On/Off switch.

The wine conditioning unit will start to cool and the interior lighting will come on when the appliance door is opened.

Miele will appear, followed by the main screen on the wine conditioning unit display:



 Risk of damage due to high humidity.

In environments with high humidity, condensation can build up on external wine appliance panels. This condensation can cause corrosion and lead to damage on external appliance panels.

Install the wine appliance in a dry and/or air-conditioned room with sufficient ventilation.

Do not switch the wine appliance on if you are going to be away for a long period of time.

Do not leave the wine appliance unattended for a long period of time while it is switched on.

## Switching the wine conditioning unit off

- Switch the wine conditioning unit off by pressing the On/Off switch.

The cooling and interior lighting are switched off.

Please note: the wine conditioning unit is not disconnected from the power supply when it is switched off with the on/off switch.

## Switching off for longer periods of time


If, during a long absence, the wine unit is switched off but not cleaned and the door left shut, there is a danger of mould building up inside the appliance.


The wine unit must be cleaned.


If the wine unit is not going to be used for a longer period of time, observe the following:

- Switch the wine unit off.
- Switch off at the wall and disconnect the plug from the socket, or disconnect the fuse.
- Clean the wine unit and leave the door ajar to air the wine unit and avoid odours building up inside it.


## Selecting additional settings


In Settings mode , you can select different wine conditioning unit functions and alter their settings to some extent, allowing you to adjust the appliance to suit your requirements.

Only the functions in Settings mode  that require further explanation are described below.

The door alarm and other warnings are automatically disabled when the appliance is in Settings mode .

### Switching Keypad lock / on or off

Switch Keypad lock on if you wish to protect your wine conditioning unit from unwanted temperature changes or other unintentional adjustments in Settings mode .

- In Settings mode , use the < and > sensor controls to select Keypad lock and select *OK* to confirm your selection.
- Use the < and > sensor controls to switch the sensor lock On or Off and select *OK* to confirm your selection.
- The sensor lock will not be activated until you close the appliance door.

Nothing will appear on the display to indicate that the sensor lock is switched on.

The message *Press OK for 6 seconds to unlock* will appear on the display if you select a sensor control while the sensor lock is switched on.



- Follow the instructions on the display.

The display is unlocked briefly so you can adjust the settings as required. Closing the appliance door will reactivate the sensor lock.

# Selecting additional settings

## Performing a Self test


Perform a Self test if you are concerned that your wine conditioning unit is not working properly and want to check if it is suffering from any problems.

- In Settings mode , use the < and > sensor controls to select Self test and select *OK* to confirm your selection.
- Touch the  sensor control if you wish to terminate the process.

The Self test starts and the wine conditioning unit is checked for any faults or malfunctions.

- The message System restart will appear on the display if the self test does not discover any faults or malfunctions.
- If the self test does discover any faults or malfunctions, they are indicated as error messages on the display.

An alarm will also sound.

- If you find the alarm disruptive, you can switch it off in advance by touching the  sensor control.
- Make a note of the error message(s) displayed.
- Contact the Customer Service Department and inform them of the error message(s) on the display.
- Confirm the message with *OK*.

System restart will appear on the display.

The wine conditioning unit briefly switches off and then back on automatically.

Self test completed will appear on the display.

- Confirm the message with *OK*.


The main screen will appear on the display again.

## Switching on the Door assistant

You can choose between the two door assistants: Push2open and Pull2open. The default door assistant is Push2open.

The Push2open door assistant is suitable for furniture fronts without handles. The appliance door opens automatically when you gently press against it.

The Pull2open door assistant is suitable for furniture fronts with handles. The appliance door can be opened easily with little force.

 Risk of damage if the appliance door is closed prematurely.



When the door assistant is switched on, repeatedly closing the appliance door early can lead to damage or malfunctions.

Refrain from holding onto or closing the appliance door while automatic door opening is still extended.

However, if you have closed the appliance door, leave it closed for 5 minutes. Automatic door opening resets itself.



# Selecting additional settings

## Switching on Push2open

- In Settings mode , use the < and > sensor controls to select Door assistant and select *OK* to confirm your selection.
- Use the < and > sensor controls to select Mode and select *OK* to confirm your selection.
- Use the < and > sensor controls to select Push2open and select *OK* to confirm your selection.
- Touch the  sensor control to return to the previous menu level.



## – Adjusting the intensity

You can also adjust the intensity of the Push2open function. The lower the set intensity, the less force required when you push against the appliance door.

- In Settings mode , use the < and > sensor controls to select Door assistant and select *OK* to confirm your selection.
- In Settings mode , use the < and > sensor controls to select Intensity and select *OK* to confirm your selection.
- Use the < and > sensor controls to select the right intensity (Low, Medium, High) and select *OK* to confirm your selection.



## – Adjusting the duration of the AutoClose function

You can also adjust the duration for how long the appliance door will remain open until it closes automatically.

- In Settings mode , use the < and > sensor controls to select Door assistant and select *OK* to confirm your selection.
- In Settings mode , use the < and > sensor controls to select AutoClose and select *OK* to confirm your selection.
- Use the + and – sensor controls to select the duration (5 to 30 seconds) and touch *OK* to confirm your selection.

To protect against inadvertent opening: if you do not pull the appliance open, it will close again by itself after a duration defined by you.

## Switching on Pull2open



- In Settings mode , use the < and > sensor controls to select Door assistant and select *OK* to confirm your selection.
- Use the < and > sensor controls to select Mode and select *OK* to confirm your selection.
- Use the < and > sensor controls to select Pull2open and select *OK* to confirm your selection.
- Touch the  sensor control to return to the previous menu level.

## – Adjusting the intensity



You can also adjust the intensity of the Pull2open function. The lower the set intensity, the less force required when you pull the appliance door.

## Selecting additional settings

---

- In Settings mode , use the < and > sensor controls to select Door assistant and select *OK* to confirm your selection.
- In Settings mode , use the < and > sensor controls to select Intensity and select *OK* to confirm your selection.
- Use the < and > sensor controls to select the right intensity (Low, Medium, High) and select *OK* to confirm your selection.

### Switching off the Door assistant

- In Settings mode , use the < and > sensor controls to select Door assistant and select *OK* to confirm your selection.
- Use the < and > sensor controls to select Mode and select *OK* to confirm your selection.
- Use the < and > sensor controls to select Off and select *OK* to confirm your selection.
- Touch the  sensor control to return to the previous menu level.

# Selecting additional settings


## Miele@home

### Setting up Miele@home

The message **Set up Miele@home only** appears if the wine appliance has not yet been connected to a WiFi network.

- Connect your wine appliance as described in “Before using for the first time”.


### Deactivating Miele@home

- In Settings mode , use the < and > sensor controls to select **Miele@home** and select **OK** to confirm your selection.
- Use the < and > sensor controls to select **Deactivate** and select **OK** to confirm your selection.

Deactivation successful will appear on the display.


- Confirm the message with **OK**.

Your wine conditioning unit is now disconnected from your WiFi network.

The  symbol will go out on the display.


## Activating Miele@home

If you have already activated Miele@home and then disconnected the connection, you will need to reactivate the connection.


- In Settings mode , use the < and > sensor controls to select **Miele@home** and select **OK** to confirm your selection.
- Use the < and > sensor controls to select **Activate** and select **OK** to confirm your selection.

Activation successful will appear on the display.





- Confirm the message with **OK**.

If the WiFi connection is active,  will appear on the display.

## Checking the WiFi connection status

- In Settings mode , use the < and > sensor controls to select **Miele@home** and select **OK** to confirm your selection.
- Use the < and > sensor controls to select **Connection status** and select **OK** to confirm your selection.


Information about the WiFi connection status will then appear on the display:

-  connected: there is a strong connection
-  connected: there is an average connection
-  connected: there is a weak connection
- : disconnected

## Selecting additional settings

### Setting up Miele@home again

If you have changed your WiFi network, you can set up Miele@home again for your wine conditioning unit.


- In Settings mode , use the < and > sensor controls to select Miele@home and select *OK* to confirm your selection.
- Use the < and > sensor controls to select *Set up again* and select *OK* to confirm your selection.

Reset configuration? will appear on the display.

- Use the < and > sensor controls to select *Yes* or *No* and select *OK* to confirm your selection.


### Resetting the network configuration


Reset the settings to the default settings when disposing of your wine conditioning unit, selling it, or putting a used wine conditioning unit into operation. This will reset the network configuration so that all personal data is deleted from the wine conditioning unit. This will also ensure that a previous owner is no longer able to access the wine conditioning unit.

- Reset the settings of the wine conditioning unit as described in the chapter “Resetting the settings to their default settings ”.

### Switching off the Demo mode

Demo mode allows the wine conditioning unit to be presented in the showroom **without the cooling system being switched on**. This setting is not needed for domestic use.

If Demo mode has been switched on as a default setting,  will show on the display.

- In Settings mode , use the < and > sensor controls to select Demo mode and select *OK* to confirm your selection.

Press *OK* for 4 seconds to deactivate will appear on the display.

- Follow the instructions on the display. The countdown Demo mode will deactivate in seconds will appear on the display. Demo mode deactivated. Appliance cooling switched on will appear on the display.
- Confirm the message with *OK*.

The main screen will appear on the display again.




## Selecting additional settings

### Resetting the settings to their default settings

You can reset the wine conditioning unit's settings to their default settings.

Reset the settings to the default settings when disposing of your wine conditioning unit, selling it, or putting a used wine conditioning unit into operation. This will reset the network configuration so that all personal data is deleted from the wine conditioning unit. This will also ensure that a previous owner is no longer able to access the wine conditioning unit.

- In Settings mode , use the < and > sensor controls to select Factory default settings and select *OK* to confirm your selection.
- Use the < and > sensor controls to select Reset and select *OK* to confirm your selection.

After a brief delay, Settings reset will appear on the display.




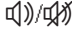








- Confirm the message with *OK*.

The initial commissioning process restarts (see “Initial commissioning – Starting up for the first time”).

The wine conditioning unit's settings will be reset to the following values:

# Selecting additional settings

---


Function		Default setting
	Language	English
	Display brightness	Middle value (4 of 7 segments)
	Colour scheme	Dark
	Buzzer tones	Middle value (4 of 7 segments)
	Keypad tone	Middle value (4 of 7 segments)
°C/°F	Temperature unit	°Celsius
	Keypad lock	Switched off
	Door assistant	Push2open
	Miele@home	Switched off
	Ambient lighting	Ambient 2
	Ambient display	Temperature display
	Sabbath mode	Switched off
△	Humidity	Not increased
	Temperature in the wine conditioning zones	11 °C


### Switching Sabbath mode on or off


The wine conditioning unit offers a Sabbath mode for the purposes of religious observance.

When Sabbath mode is switched on, you cannot make any settings on your wine conditioning unit.

Ensure that the appliance door is properly closed, as visual and audible alarms are switched off in Sabbath mode.


- In Settings mode , use the < and > sensor controls to select Sabbath mode and select *OK* to confirm your selection.
- Use the < and > sensor controls to select On or Off and select *OK* to confirm your selection.

When Sabbath mode is switched on,  will appear on the display and the display brightness will be reduced (the display does not change when the appliance door is closed).

When Sabbath mode  is switched on, the following functions are switched off:

- Door assistant  
(for furniture fronts without handles, the appliance door will have to be pulled from the bottom or side)
- Lighting
- All acoustic and visual signals
- Temperature display
- The ambient lighting  
(if previously switched on)

You can still select:


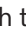
- The sensor control for Settings mode  so that Sabbath mode can be switched off.

The Sabbath mode function will switch itself off automatically after approx. 125 hours.

### Switching the Ambient lighting on or off

The Ambient lighting can be switched on so your wines are on display even when the appliance door is closed. The interior lighting now remains on even when the appliance door is closed.


Each wine conditioning zone has its own light so that your wine conditioning unit is lit up to maximum effect.

- Touch the  sensor control on the display so that it is highlighted in colour.
  - Close the appliance door.
- The interior lighting now remains on even when the appliance door is closed.
- To switch the Ambient lighting off, touch the  sensor control so that it is no longer highlighted in colour.


The interior lighting is now switched off when the appliance door is closed.

## Selecting additional settings

### Selecting the intensity of the Ambient lighting


You can set the intensity of the Ambient lighting in Settings mode .

You can also choose the wine conditioning zones in which the Ambient lighting should be switched on.

- In Settings mode , use the < and > sensor controls to select Ambient lighting and select *OK* to confirm your selection.
- Use the < and > sensor controls to select the correct setting (Ambient 1 – Ambient 5):
  - Ambient 1 – Ambient 3:  
Weak to strong lighting in all wine conditioning zones
  - Ambient 4:  
Only the lighting in the wine conditioning zone in the centre is switched on
  - Ambient 5:  
The lighting in the wine conditioning zone in the centre is stronger than the lighting in the top and bottom wine conditioning zones.
- Confirm your selection with *OK*.
- Close the appliance door.

The Ambient lighting is now set to the desired setting.

Thanks to the use of LED lighting, the wine will not be adversely affected by heat or UV light.


 Risk of injury from LED lighting.

This lighting corresponds to risk group RG 2. If the cover is defective, there is a danger of eye injury.

If the lighting cover is defective, do not look from a close range directly into the lighting with optical instruments (e.g. magnifying glass or similar).

### Selecting the Ambient display

You can choose what the display should look like when the appliance door is closed.

- In Settings mode , use the < and > sensor controls to select Ambient display and select *OK* to confirm your selection.
- Use the < and > sensor controls to select the required display settings:
  - Temperature
  - Miele logo
  - Off (display switched off completely).
- Confirm your selection with *OK*.

The display settings you have selected are now active when the appliance door is closed.

As soon as you open the appliance door, the main screen appears in the display in the usual way.

# The ideal temperature and humidity

## Perfectly storing wine

Wine keeps on maturing depending on the surrounding conditions. The length of time for which wine can be kept in good condition will therefore depend not only on the temperature but also on the air quality.

The wine unit with its constant and wine-specific temperature, optimum humidity level and odour-free atmosphere offers the perfect conditions for storing your wine.

The wine unit also guarantees (as opposed to a refrigerator) an environment without vibrations so that the maturing process of the wine is not disturbed.

## The correct temperature

Wine can ideally be stored at a temperature between 6 and 18 °C. If red and white wines are being stored together, select a temperature between 12 and 14 °C. This temperature is suitable for both white and red wines. Red wine should be taken out and opened at least 2 hours before drinking so that the wine is exposed to oxygen and can develop its aroma.

If the storage temperature is too high (above 22 °C), wine matures too quickly, which means aromas are not able to continue to develop. On the other hand, if the storage temperature is too low (below 5 °C), the wine is unable to mature properly.

Heat causes wine to expand and cold causes it to contract. Temperature fluctuations mean stress for wine and interrupt the maturity process. It is therefore very important to ensure minimal fluctuation of temperature.

The temperature depends on the following factors:

- How often and for how long the appliance door is opened
- How many wine bottles are being stored
- How warm the stored wine bottles are
- How high or low the ambient temperature of the wine unit is

## Recommended drinking temperatures

Type of wine	Recommended drinking temperature*
Light, fruity reds:	14 °C to 16 °C
Full-bodied reds:	18 °C
Rosé wines:	8 °C to 10 °C
Delicate, aromatic whites:	8 °C to 12 °C
Full-bodied or sweet whites:	12 °C to 14 °C
Sparkling white wines, Prosecco:	7 °C to 9 °C
Champagne:	5 °C to 7 °C

\* Store the wine 1 or 2 °C cooler than the recommended drinking temperature as it warms up a little when poured into the glass.

**Tip:** Full-bodied reds should be opened 2–3 hours before drinking to allow the wine to breathe and develop its aroma.


**Tip:** We recommend removing the oxygen from opened bottles of wine to avoid loss of aroma and taste, as well as spoiling. Special devices (a wine pump with bottle stopper, for example) create a vacuum by extracting the air.

# The ideal temperature and humidity

## Isolator plates for thermal separation

The wine conditioning unit has 2 fixed isolator plates that divide the interior cabinet into 3 zones, which can be conditioned in different ways. This means that you can store up to 3 different types of wine at the same time – for example, red wine, white wine and champagne.

## Setting the temperature

- Touch the  sensor control to set the temperature.

The previously set temperatures for the 3 wine conditioning zones are displayed.

- Use the < and > sensor controls to select the wine conditioning zone for which you want to adjust the temperature and select *OK* to confirm your selection.
- Use the + and – sensor controls to set the temperature. Keeping your fingers on the sensor controls changes the temperature continuously.
- Confirm the temperature setting with *OK* or wait approx. 8 seconds after the last touch of the sensor control. The temperature will then be automatically adopted.

**Tip:** The newly set temperature can also be confirmed and adopted by closing the appliance door.

The temperature display always shows the **required** temperature.

If you have adjusted the temperature, **wait for approx. 6 hours if the wine conditioning unit is not very full and for approx. 24 hours if the wine conditioning unit is full** before checking

the temperature display. It will take this long for the appliance to give an accurate reading.

- If, after this time, the temperature is still too high or too low, you will need to adjust it again.


## Temperature range

In all three wine conditioning zones, it is possible to set temperatures between 5 °C and 20 °C.

## Humidity

In most refrigerators, the humidity is too low for wine and therefore a refrigerator is not suitable for wine storage. Higher humidity levels are necessary when storing wine to moisturise natural corks from the outside. When the humidity is too low, the natural corks dry out and the bottle is no longer tightly sealed. For this reason, wine bottles should always be stored horizontally to ensure that natural corks are also moisturised from the inside. If air gets into the bottle, this will have a negative impact on the wine.

**Tip:** Humidity levels can be set separately for each wine conditioning zone. Always increase the humidity level in a wine conditioning zone whenever you are using it to store wine bottles sealed with natural corks.

 Danger of damage from excess amounts of moisture.

An increase in humidity will lead to condensation on the interior cabinet walls. Condensate can cause damage such as corrosion to the wine conditioning unit.

Do **not** introduce additional moisture to air in the cabinet, e.g. by placing a dish of water in the wine conditioning unit.

# The ideal temperature and humidity

---

## Increasing the humidity $\delta$

If you have set a higher level of humidity, the fans will switch on automatically. This will distribute the humidity and the temperature evenly around the wine conditioning unit so that you can store all your wine under the same excellent conditions. The fans switch off automatically when the appliance door is opened and remain switched off for as long as it is kept open.

- Touch the  $\text{°C}$  sensor control to set the temperature.
- Use the < and > sensor controls to select the wine conditioning zone for which you want to increase the humidity and select *OK* to confirm your selection.
- Touch the  $\delta$  button.

The  $\delta$  button will then be highlighted in colour.

- Confirm the setting with *OK* or wait approx. 8 seconds after the last press of the button. The setting will be automatically adopted.

The humidity increases in the selected wine conditioning zone.

## Not increasing the humidity $\delta$

- Touch the  $\text{°C}$  sensor control to set the temperature.
- Use the < and > sensor controls to select the wine conditioning zone for which you do not want to increase the humidity and select *OK* to confirm your selection.
- Touch the  $\delta$  button.

The  $\delta$  button will then no longer be highlighted in colour.

- Confirm the setting with *OK* or wait approx. 8 seconds after the last press of the button. The setting will be automatically adopted.

The humidity decreases in the selected wine conditioning zone.



## Door alarm

An alarm will sound if the appliance door has been left open for longer than 2 minutes.

The message *Close the door* will also appear on the display.

As soon as the appliance door is closed, the alarm tone will stop and the message in the display will go out.

### Switching the door alarm off early

If the alarm disturbs you, it can be turned off early.

- Touch the *OK* sensor control.

The alarm will stop and the message will disappear from the display.

After a certain time, the alarm will sound again and the message will reappear on the display until the appliance door has been closed.

# Storing wine bottles

Vibration and movement have a negative effect on the maturing process, which can in turn affect the taste of the wine.

To avoid disturbing other bottles when removing a bottle of wine, store bottles of the same type beside each other on the same wooden shelf. Avoid stacking bottles on top of one another on the wooden shelves.

Always place the bottles in a horizontal position so that the natural corks can be kept moist on the inside and air is prevented from getting into the bottles.

**⚠ Risk of injury from falling wine bottles.**

Wine bottles may become wedged in the wooden shelves above and fall out of the wine unit when the shelves are pulled out.

Always pull out the wooden shelves slowly and carefully.

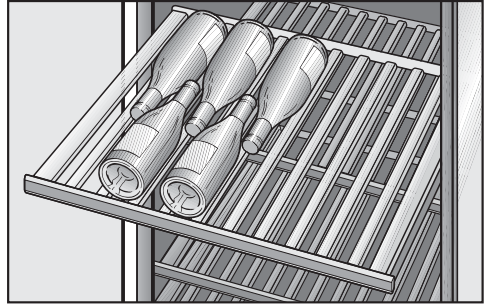
**⚠ Risk of damage and injury from broken glass.**

If wooden shelves and bottles protrude too far forwards, they may damage the glass door when it is closed.

Please ensure that the wooden shelves and wine bottles do not protrude.

Do not cover the ventilation slots in the rear wall, as they are essential for keeping the appliance cool.

## Wooden shelves



The wooden shelves are on telescopic runners which can be pulled out to make it easier to store and remove bottles.

### Moving the wooden shelves

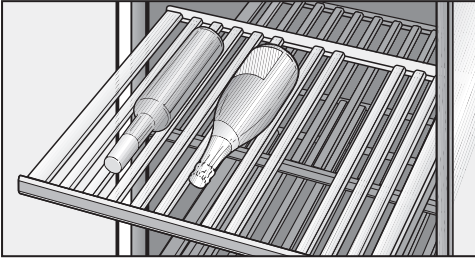
The wooden shelves can be removed and replaced again if required.

- Pull the wooden shelf out until it stops, then lift it up and off the runners. Hold onto the frame to do this.
- To replace the shelf, click it into place on the extended rails from above. The strip must face the front.

# Storing wine bottles

## Adjusting the wooden shelves

The slats in the wooden shelves can be individually adjusted to suit, so that every bottle is stored in perfect safety regardless of shape or size.

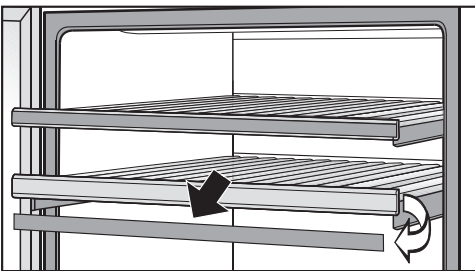


- Simply lift individual slats to move or remove them from the wooden shelves.

## Labelling wooden shelves

For quick and easy identification of the wines stored, you can write on the blackboard-painted surface on the strips on the wooden shelves.

You can write directly on the strip or remove it from the wooden shelf. To do so:



- Hold the strip by the sides and pull it forwards.
- The strip can be wiped clean with a damp cloth.

⚠ Risk of damage due to incorrect cleaning.

The blackboard coating on the labelling strips may be damaged.

Use clean water only to wipe the strip. **Do not use a cleaning agent.**

- Label the strip with the chalk supplied and replace it on the wooden shelf from above.

## Maximum capacity

⚠ Risk of damage due to heavy loads.

Excessive loads can damage the wooden shelves.

Do not exceed the maximum load-bearing capacity of 35 kg for each wooden shelf.

Do not stack bottles on the wooden shelves.

Up to 104 Bordeaux bottles (0.75 l) can be stored in the wine conditioning unit.


## Automatic defrosting

---

The wine unit defrosts automatically.

The data plate located inside the wine unit must not be removed. It contains information which is required in the event of a fault.

Do not let water get into the electronic unit or the lighting.

 Risk of damage due to moisture ingress.

The steam from a steam cleaner can damage plastic and electrical components.

Do not use a steam cleaner to clean the refrigeration appliance.

### Cleaning agents

Cleaning and conditioning agents used in the interior cabinet of the refrigeration appliance must be food safe.

To avoid damaging the surfaces of the appliance, **do not use the following:**

- Cleaning agents containing soda, ammonia, acids or chlorides
- Cleaning agents containing descaling agents
- Abrasive cleaning agents (e.g. scouring powder, scouring liquid or pumice stones)
- Cleaning agents containing solvents
- Stainless steel cleaners
- Dishwasher cleaning agents
- Oven sprays
- Glass cleaner (except on the glass in the appliance door)
- Hard, abrasive sponges and brushes (e.g. pot scourers)
- Eraser stain remover blocks
- Sharp metal scrapers

We recommend using a clean sponge cloth and lukewarm water with a little washing-up liquid to clean the surfaces of the appliance.

### Before cleaning the wine conditioning unit

- Switch the wine conditioning unit off by pressing the On/Off switch.
- Take any wine bottles out of the wine conditioning unit and store them in a cool place.
- Take out all other removable parts for cleaning (see “Moving the wooden shelves” in “Storing wine bottles”).

## Cleaning and care


---

- Remove the labelling strips from the wooden shelves before cleaning them (see “Labelling wooden shelves” in “Storing wine bottles”).

### Interior cabinet, accessories and appliance door


Clean the wine conditioning unit at least once a month.  
Remove soiling immediately to prevent it from drying on.

- Clean the interior cabinet of the wine conditioning unit with a solution of lukewarm water and a little washing-up liquid. Rinse all parts by hand. Do not wash in a dishwasher.
- After cleaning, wipe with clean water and dry with a soft cloth.

 Risk of damage due to incorrect cleaning.  
The blackboard coating on the labelling strips may be damaged.  
Use clean water only to wipe the labelling strips on the wooden shelves. Do **not** use a cleaning agent.

- The wooden shelves should only be wiped with a well wrung-out damp cloth. They must **not** be allowed to get wet.
- Leave the wine conditioning unit open to air it sufficiently for a short while and to prevent odour build-up.
- Clean the glass panes in the appliance door with glass cleaner.

### Cleaning the door seal

 Risk of damage as a result of incorrect cleaning.  
If you treat the door seal with oils or grease, it can become porous.  
Do not use any oils or grease on the door seal.

- The door seal should be cleaned regularly with clean water, and then wiped dry with a soft cloth.

### Cleaning the ventilation gaps

A build-up of dust will increase the energy consumption of the appliance.

- The ventilation gaps should be cleaned on a regular basis with a brush or vacuum cleaner (you could use a Miele vacuum cleaner dusting brush, for example).

### After cleaning

- Replace all shelves and accessories in the wine unit.
- Switch the wine unit on.
- Place the wine bottles in the wine unit and close the appliance door.

## Problem solving guide

Many malfunctions and faults that can occur in daily operation can be easily remedied. You can save time and money in many cases, as you do not need to call the Miele Customer Service Department.

Information to help you rectify faults yourself can be found at [www.miele.com/service](http://www.miele.com/service).





The following tables are designed to help you to find the cause of a malfunction or a fault and to resolve it.

To prevent cold from escaping, open the appliance as little as possible until the fault has been corrected.



Problem	Cause and remedy
<b>If you are concerned that your wine conditioning unit is not working properly, you can perform a Self test. Your wine conditioning unit will be checked for any faults or malfunctions.</b>	<p>Any errors identified during the self test are shown on the display.</p> <ul style="list-style-type: none"> <li>■ Perform a self test (see “Performing a Self test <input checked="" type="checkbox"/>” in “Additional settings”).</li> <li>■ If necessary, contact the Customer Service Department and inform them of the error message(s) on the display.</li> </ul>
<b>The wine conditioning unit is not getting cold and the interior lighting does not come on when the appliance door is opened.</b>	<p>The wine conditioning unit is not switched on.</p> <ul style="list-style-type: none"> <li>■ Switch the wine conditioning unit on. The temperature appears on the display.</li> </ul> <p>The plug is not inserted in the socket correctly.</p> <ul style="list-style-type: none"> <li>■ Insert the plug into the socket.</li> </ul> <p>The mains fuse has tripped. There could be a fault with the wine conditioning unit, the household electrical wiring or another electrical appliance.</p> <ul style="list-style-type: none"> <li>■ Contact a qualified electrician or the Miele Customer Service Department.</li> </ul>
<b>The compressor is switching on more frequently and for longer periods of time. The temperature in the wine conditioning unit is too low.</b>	<p>The temperature in the wine conditioning unit is set too low.</p> <ul style="list-style-type: none"> <li>■ Correct the temperature setting.</li> </ul> <p>The ventilation gaps in the housing unit have been covered or become too dusty.</p> <ul style="list-style-type: none"> <li>■ Do not block the ventilation gaps.</li> <li>■ Dust the ventilation gaps regularly.</li> </ul> <p>The appliance door has been opened too frequently, or a large number of wine bottles have been put inside the unit all at once.</p>







## Problem solving guide

Problem	Cause and remedy
	<p>■ Only open the appliance door when necessary and for as short a time as possible. After a while, the temperature will return to normal by itself.</p> <p>The appliance door is not properly closed. ■ Close the appliance door. After a while, the temperature will return to normal by itself.</p> <p>The ambient room temperature is too high. The higher the ambient temperature, the longer the compressor has to run. ■ See the information in “Location” in “Installation”.</p> <p>The wine conditioning unit has not been installed properly in the building-in niche. ■ See the information in “Installing the wine conditioning unit” in “Installation”.</p>
<p><b>The compressor comes on less and less often and for shorter periods of time. The temperature in the wine conditioning unit rises.</b></p>	<p>Not a fault. The temperature setting is too high. ■ Correct the temperature setting. ■ Check the temperature again after 24 hours.</p>
<p><b>The compressor runs continuously.</b></p>	<p>This is not a fault. To save energy, the compressor runs at a lower speed, but for longer, when less cooling is required.</p>
<p><b>An alarm sounds.</b></p>	<p>The appliance door of the wine conditioning unit has been open for longer than approx. 2 minutes. ■ Close the appliance door.</p>
<p><b>No alarm sounds despite the appliance door being open.</b></p>	<p>You have switched off the buzzer. ■ Switch the buzzer back on using Settings mode .</p> <p>The Sabbath mode  function is switched on: the temperature display is dark and the  symbol is shown in the display. ■ You can switch off Sabbath mode at any time (see “Selecting additional settings – Switching Sabbath mode  on or off”).</p>







## Problem solving guide

Problem	Cause and remedy
<b>The appliance door cannot be opened.</b>	<p>The Pull2open door assistant is switched on but the wine conditioning unit has a handle-free furniture front.</p> <ul style="list-style-type: none"> <li>■ For handle-free furniture fronts, switch on the Push2open door assistant (see “Switching on the Door assistant ” in “Selecting additional settings”).</li> </ul>
<b>The appliance door cannot be opened when Sabbath mode  is switched on.</b>	<p>The Push2open door assistant is switched on at the same time as Sabbath mode.</p> <ul style="list-style-type: none"> <li>■ When Sabbath mode is switched on, the door assistant is deactivated.</li> <li>■ Pull the appliance door open from below or from the side.</li> </ul>

## Display warnings





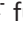

Message	Cause and remedy
<b>The warning sounds and the message  Close the door will appear on the display.</b>	<p>The appliance door is open.</p> <ul style="list-style-type: none"> <li>■ Close the appliance door.</li> <li>■ If you wish to turn the alarm off early, touch the <i>OK</i> sensor on the display.</li> </ul> <p>The alarm will stop.</p>
<b>The temperature display is dark and the  symbol is shown in the display.</b>	<p>The Sabbath mode  function is switched on. The interior lighting is switched off and the wine conditioning unit is cooling down.</p> <ul style="list-style-type: none"> <li>■ You can switch off Sabbath mode at any time (see “Switching Sabbath mode  on or off” in “Selecting additional settings”).</li> </ul>

## Problem solving guide

Message	Cause and remedy
<p>F Please call Miele Service  <b>appears on the display and an alarm sounds.</b></p>	<p>There is a fault.</p> <ul style="list-style-type: none"> <li>■ Make a note of the error message if necessary.</li> <li>■ Call the Miele Customer Service Department.</li> <li>■ To turn the alarm off, touch the  symbol.</li> </ul> <p>The error message will not disappear from the display until the error has been rectified.</p> <hr/> <p>The voltage level is too high/low.</p> <ul style="list-style-type: none"> <li>■ Observe the connection data under “Installation – Electrical connection”.</li> <li>■ Contact the Miele Customer Service Department if necessary.</li> <li>■ To turn the alarm off, touch the  symbol.</li> </ul> <p>The error message will not disappear from the display until the error has been rectified.</p>
<p><b>The  symbol lights up in the display. The wine conditioning unit does not get cold, although the unit controls are working.</b></p>	<p>The Demo mode  is switched on. Demo mode allows the wine conditioning unit to be presented in the showroom without the cooling system being switched on. This setting is not needed for domestic use.</p> <ul style="list-style-type: none"> <li>■ Switch off Demo mode  (see “Switching Demo mode  off” in “Selecting additional settings”).</li> </ul>

## Problem solving guide

### The interior lighting is not working.

Problem	Cause and remedy
The interior lighting is not working.	The wine conditioning unit is not switched on. <ul style="list-style-type: none"> <li>■ Switch the wine conditioning unit on.</li> </ul>
	The Sabbath mode function is switched on: the temperature display is dark and the  symbol is shown in the display. <ul style="list-style-type: none"> <li>■ You can switch off Sabbath mode at any time via Settings mode .</li> </ul>
	There is a fault. <div style="border: 1px solid gray; padding: 5px; margin-bottom: 5px;"> <p> Risk of electric shock due to exposed, live electrical components. When removing the lighting cover, there is a risk of coming into contact with live electrical components. Do not remove the lighting cover. The LED lighting may only be repaired or replaced by the Customer Service Department.</p> </div> <div style="border: 1px solid gray; padding: 5px;"> <p> Danger of injury from LED lighting. This lighting corresponds to risk group RG 2. If the cover is defective, there is a danger of eye injury. If the lighting cover is defective, do not look from a close range directly into the lighting with optical instruments (e.g. magnifying glass or similar).</p> </div> <ul style="list-style-type: none"> <li>■ Call the Customer Service Department.</li> </ul>
The interior lighting is on even when the appliance door is closed.	The Ambient lighting function is switched on. <ul style="list-style-type: none"> <li>■ Switch off the Ambient lighting  function (see “Switching Ambient lighting  on or off” in “Selecting additional settings”).</li> </ul>

### General problems with the wine conditioning unit

Problem	Cause and remedy
Mildew has begun to form on the wine bottle labels.	Mildew can begin to form on the labels, depending on the type of label adhesive used. <ul style="list-style-type: none"> <li>■ Clean the wine bottles and remove any adhesive residue.</li> </ul>

## Problem solving guide

Problem	Cause and remedy
<b>The wooden slats in the wooden shelves are warping.</b>	A change in volume due to moisture absorption or drying out is a typical characteristic of wood. An increase in humidity in the wine unit causes wooden components to warp. Therefore, under certain circumstances, wooden parts can warp and cracks can develop. Knots and grain patina are part of the natural character of the wood.
<b>A white deposit has formed on the wine bottle corks.</b>	The corks have oxidised due to contact with the air. ■ Use a dry cloth to wipe off the deposit. The deposit will not affect the quality of the wine.

# Noises

Normal noises	What is causing them?
<b>Brrrrr ...</b>	A humming noise is made by the motor (compressor). This noise can get louder for brief periods when the motor switches on.
<b>Blubb, blubb ...</b>	A gurgling noise can be heard when the refrigerant circulates through the pipes.
<b>Click ...</b>	Clicking sounds occur whenever the thermostat switches the motor on or off.
<b>Crack ...</b>	A cracking sound can be heard when material inside the wine conditioning unit expands.

Please bear in mind that a certain amount of noise is unavoidable (from the compressor and the refrigerant circulating through the system).

Noises	Cause and remedy
<b>Rattling, vibrating</b>	The wine conditioning unit is uneven. Realign it using a spirit level. by raising or lowering the adjustable feet underneath the wine conditioning unit or placing something underneath it.
	The wine conditioning unit is touching another appliance or piece of furniture. Move it away.
	Shelves are unstable or sticking. Check all removable items and refit them correctly.
	Bottles or containers are touching. Separate them.

Information to help you rectify faults yourself and about Miele spare parts can be found at [www.miele.com/service](http://www.miele.com/service).

## Contact in the event of a fault

In the event of a fault which you cannot remedy yourself, please contact your Miele dealer or Miele Customer Service.

You can book a Miele Customer Service call-out online at [www.miele.com/service](http://www.miele.com/service).

Contact information for Miele Customer Service can be found at the end of this document.

Please quote the model identifier and serial number of your appliance (SN) when contacting Miele Customer Service. Both numbers can be found on the data plate inside the refrigeration appliance or, depending on the model, in Settings mode under Information **i**.

The data plate can be found inside the wine unit.

## EPREL database

Since 1 March 2021, information on energy labelling and ecodesign requirements has been available in the European Product Database (EPREL). You can find the product database at the following link <https://eprel.ec.europa.eu/>. You will be asked to enter the model identifier.

The model identifier can be found on the data plate inside the refrigeration appliance or, depending on the model, in Settings mode under Information **i**.



## Warranty

For information on the appliance warranty specific to your country please contact Miele. See back cover for address.

In the UK, your appliance warranty is valid for 2 years from the date of purchase. However, you must activate your cover by calling 0330 160 6640 or registering online at [www.miele.co.uk](http://www.miele.co.uk).

# EU Conformity declaration

---

Miele hereby declares that this wine unit complies with Directive 2014/53/EU.

The complete text of the EU declaration of conformity is available from one of the following internet addresses:

- Products, Download from [www.miele.ie](http://www.miele.ie)
- For service, information, operating instructions etc: go to <https://miele.co.uk/manuals> and enter the name of the product or the serial number

Frequency band of the WiFi module	2.4000 GHz – 2.4835 GHz
-----------------------------------	-------------------------

Maximum transmitting power of the WiFi module	< 100 mW
---	----------



# UK Conformity declaration

Miele hereby declares that this wine unit complies with UK Radio Equipment Regulations 2017, as amended.

The complete text of the UK declaration of conformity is available from one of the following internet addresses:

- Products, Download from [www.miele.co.uk](http://www.miele.co.uk)
- For service, information, operating instructions etc: go to <https://miele.co.uk/manuals> and enter the name of the product or the serial number

Frequency band of the WiFi module	2.4000 GHz – 2.4835 GHz
-----------------------------------	-------------------------

Maximum transmitting power of the WiFi module	< 100 mW
---	----------

This **Statement of Compliance** confirms this Miele product fully complies with the **Product Security and Telecommunications Infrastructure (Security Requirements for Relevant Connectable Products) Regulations 2023**.

- 1) Household Appliance – *Freezer-KI KSDF18EUM, KI KIWD24EUM, KI KSDF30EUM*  
*Refrigerator-KI KSDR30EUM, KI KSDR36EUM*  
*Fridge-freezer-KI KBM30EUM, KI KBM36EUM,*  
*KI KBM36DEUM*  
*Wine unit-KI KSDW24EUM*
- 2) Manufactured by: Miele & Cie KG,  
Carl Miele Street 29, 33332 Gutersloh Germany  
Imported by and contact point: Miele Company Ltd, Fairacres, Marcham Road,  
Abingdon, Oxon, OX14 ITW Great Britain
- 3) The defined support period at the time of first supply is 10 years
- 4) To report vulnerabilities and cybersecurity issues please contact: [psirt@miele.com](mailto:psirt@miele.com)
- 5) Signature   
Name: **Paul Wright**  
Company Position: **Head of Technical Management**  
Date of signature: **19th March 2024**  
Place of signature: **Abingdon, Oxfordshire**

## Copyrights and Licences

---

Miele uses their own and third party software which is not subject to any so-called Open Source Licence for the operation and control of the appliance. This software/ these software components are protected by copyright. The copyright powers of Miele and third parties have to be respected.

Furthermore, this appliance contains software components which are distributed under Open Source licence conditions. Please refer to the document “Open Source Information and Licenses” for the Open Source components contained therein, together with the corresponding copyright notices, copies of the licence terms valid at the time, and any further information. The liability and warranty provisions of the Open Source licence terms and conditions as stated therein apply only in relation to the respective rights holders.

In particular, the appliance contains software components licenced by the copyright holders under the GNU General Public License, Version 2, or the GNU Lesser General Public License, Version 2.1. For a period of at least 3 years from the date of purchase or delivery of the appliance respectively, Miele offers to provide you or third parties with a machine-readable copy of the source code of the Open Source components contained in the appliance and licenced under the terms of the GNU General Public License, Version 2, or the GNU Lesser General Public License, Version 2.1, on a data carrier (CD-ROM, DVD or USB stick). Please contact us via e-mail ([info@miele.com](mailto:info@miele.com)) or the below postal address and state the product name, the serial number and the date of purchase to obtain this source code.

Miele & Cie. KG  
Open Source  
GTZ/TIM  
Carl-Miele-Straße 29  
33332 Gütersloh

Please note the limited warranty in favour of the rights holders under the terms of the GNU General Public License, Version 2, and the GNU Lesser General Public License, Version 2.1:

*This program is distributed in the hope that it will be useful, but WITHOUT ANY WARRANTY, without even the implied warranty of MERCHANTABILITY of FITNESS FOR A PARTICULAR PURPOSE. See the GNU General Public License and GNU Lesser General Public License for more details.*

## United Kingdom

Miele Co. Ltd., Fairacres, Marcham Road, Abingdon, Oxon, OX14 1TW  
Tel: 0330 160 6600, Internet: [www.miele.co.uk](http://www.miele.co.uk), E-mail: [info@miele.co.uk](mailto:info@miele.co.uk)

### Australia

Miele Australia Pty. Ltd.  
ACN 005 635 398  
ABN 96 005 635 398  
Level 4, 141 Camberwell Road  
Hawthorn East, VIC 3123  
Tel: 1300 464 353  
E-mail: [info@miele.com.au](mailto:info@miele.com.au)  
Internet: [www.miele.com.au](http://www.miele.com.au)

### China Mainland

Miele Electrical Appliances Co., Ltd.  
1-3 Floor, No. 82 Shi Men Yi Road  
Jing' an District  
200040 Shanghai, PRC  
Tel: +86 21 6157 3500  
Fax: +86 21 6157 3511  
E-mail: [info@miele.cn](mailto:info@miele.cn)  
Internet: [www.miele.cn](http://www.miele.cn)

### Hong Kong, China

Miele (Hong Kong) Ltd.  
41/F - 4101, Manhattan Place  
23 Wang Tai Road  
Kowloon Bay, Hong Kong  
Tel: (852) 2610 1025  
Fax: (852) 3579 1404  
E-mail:  
[customerservices@miele.com.hk](mailto:customerservices@miele.com.hk)  
Website: [www.miele.hk](http://www.miele.hk)

### India

Miele India Pvt. Ltd.  
1st Floor, Copia Corporate Suites,  
Commercial Plot 9, Mathura Road,  
Jasola, New Delhi - 110025  
E-mail: [customercare@miele.in](mailto:customercare@miele.in)  
Website: [www.miele.in](http://www.miele.in)

### Ireland

Miele Ireland Ltd.  
2024 Bianconi Avenue  
Citywest Business Campus  
Dublin 24  
Tel: (01) 461 07 10  
Fax: (01) 461 07 97  
E-mail: [info@miele.ie](mailto:info@miele.ie)  
Internet: [www.miele.ie](http://www.miele.ie)

### Malaysia

Miele Sdn Bhd  
Suite 12-2, Level 12  
Menara Sapura Kencana  
Petroleum  
Solaris Dutamas No. 1  
Jalan Dutamas 1  
50480 Kuala Lumpur, Malaysia  
Phone: +603-6209-0288  
Fax: +603-6205-3768

### New Zealand

Miele New Zealand Limited  
IRD 98 463 631  
8 College Hill  
Freemans Bay, Auckland 1011  
Tel: 0800 464 353  
E-mail: [customercare@miele.co.nz](mailto:customercare@miele.co.nz)  
Internet: [www.miele.co.nz](http://www.miele.co.nz)

### Singapore

Miele Pte. Ltd.  
29 Media Circle  
#11-04 ALICE@Mediapolis  
Singapore 138565  
Tel: +65 6735 1191  
Fax: +65 6735 1161  
E-mail: [info@miele.com.sg](mailto:info@miele.com.sg)  
Internet: [www.miele.sg](http://www.miele.sg)

### South Africa

Miele (Pty) Ltd.  
63 Peter Place, Bryanston 2194  
P.O. Box 69434, Bryanston 2021  
Tel: (011) 875 9000  
Fax: (011) 875 9035  
E-mail: [info@miele.co.za](mailto:info@miele.co.za)  
Internet: [www.miele.co.za](http://www.miele.co.za)

### Thailand

Miele Appliances Ltd.  
BHIRAJ TOWER at EmQuartier  
43rd Floor Unit 4301-4303  
689 Sukhumvit Road  
North Klongton Sub-District  
Vadhana District  
Bangkok 10110, Thailand

### United Arab Emirates

Miele Appliances Ltd.  
Showroom 1, Eiffel 1 Building  
Sheikh Zayed Road, Umm Al Sheif  
P.O. Box 114782 - Dubai  
Tel. +971 4 3044 999  
Fax. +971 4 3418 852  
800-MIELE (64353)  
E-mail: [info@miele.ae](mailto:info@miele.ae)  
Website: [www.miele.ae](http://www.miele.ae)

**Manufacturer:** Miele & Cie. KG, Carl-Miele-Straße 29, 33332 Gütersloh, Germany

KWT 2602 Vi, KWT 2612 Vi

en-GB

M.-Nr. 11 548 410 / 04