





## Operating and installation instructions Heat-pump tumble dryer



It is **essential** to read these operating instructions before installing and using the appliance. This prevents both personal injury and damage to the appliance.

# Contents

---

<b>Caring for the environment</b> .....	<b>5</b>
<b>Warnings and safety instructions</b> .....	<b>6</b>
<b>Operating the tumble dryer</b> .....	<b>17</b>
Control panel.....	17
How the programme selector works .....	18
How the control panel works.....	18
Drum lighting.....	19
<b>Using for the first time</b> .....	<b>20</b>
Installation.....	20
Information about networking .....	20
Miele@home.....	20
Wash2Dry  .....	21
Setting up Miele@home .....	21
<b>1. Notes on correct laundry care</b> .....	<b>22</b>
Washing .....	22
Drying .....	22
Garment care label symbols .....	22
<b>2. Loading the tumble dryer</b> .....	<b>23</b>
Checking the socket for the fragrance flacon.....	23
<b>3. Selecting a programme</b> .....	<b>24</b>
Switching on the tumble dryer .....	24
Selecting a programme .....	24
1. Selecting drying programmes using the programme selector .....	24
2. Selecting drying programmes via the MobileStart  programme selector position .....	24
3. Selecting a drying programme via the Wash2Dry  programme selector position .....	24
Selecting programme settings .....	25
Selecting the drying level.....	25
Selecting Gentle tumble.....	25
<b>4. Starting a programme</b> .....	<b>26</b>
<b>5. End of programme - unloading the drum</b> .....	<b>27</b>
At the end of the programme .....	27
Removing the laundry .....	27
Observing care instructions.....	27
 <b>Delay start/SmartStart</b> .....	<b>28</b>
SmartStart.....	29
<b>Programme chart</b> .....	<b>30</b>

<b>Changing the programme sequence</b> .....	<b>33</b>
Changing a programme after it has started.....	33
Adding or removing laundry.....	33
<b>Fragrance flacon</b> .....	<b>34</b>
FragranceDos.....	34
Removing the protective seal from the fragrance flacon.....	34
Inserting the fragrance flacon.....	35
Opening the fragrance flacon.....	36
Closing the fragrance flacon.....	36
Removing/replacing the fragrance flacon.....	37
<b>Cleaning and care</b> .....	<b>38</b>
Observing cleaning intervals.....	38
Cleaning the filters.....	38
Removing the fragrance flacon.....	38
Removing visible fluff.....	38
Cleaning the fluff filters and air flow openings thoroughly.....	39
Cleaning the plinth filter.....	40
Removing the plinth filter.....	41
Cleaning the plinth filter.....	41
Replacing the plinth filter.....	43
Cleaning the plinth filter panel.....	44
Checking the heat exchanger.....	44
Inserting the plinth filter.....	45
Regenerating the plinth filter.....	45
Cleaning the dryer.....	45
<b>Problem solving guide</b> .....	<b>47</b>
Indicator lights or information in the time display.....	47
Unsatisfactory drying result.....	49
The drying process takes a long time.....	50
Other problems.....	51
<b>Service</b> .....	<b>52</b>
Contact in case of fault.....	52
Optional accessories.....	52
<b>Installation</b> .....	<b>53</b>
Front view.....	53
Rear view.....	54
Installation locations.....	54
Side view.....	54
View from above.....	54
Washer-dryer stack.....	55
Transporting the dryer to its installation site.....	55

# Contents

---

Installation.....	56
Downtime after installation.....	56
Levelling the tumble dryer.....	56
Room ventilation.....	57
Drain hose for condensed water.....	58
Electrical connection.....	60
<b>Technical data.....</b>	<b>61</b>
<b>Consumption data.....</b>	<b>62</b>
<b>Programmable functions.....</b>	<b>63</b>
Programming.....	63
<i>P00</i> Factory default setting.....	64
<i>P01</i> Cottons drying levels.....	64
<i>P02</i> Minimum iron drying levels.....	64
<i>P04</i> Cooling down temperature.....	65
<i>P05</i> Buzzer volume.....	65
<i>P06</i> Keypad tone.....	65
<i>P07</i> PIN code.....	65
<i>P08</i> Conductivity.....	66
<i>P11</i> Control panel switch-off status.....	66
<i>P13</i> Memory.....	66
<i>P14</i> Anti-crease.....	66
<i>P19</i> Buzzer active.....	67
<i>P20</i> Airways indicator.....	67
<i>P22</i> Backlight brightness dimmed.....	67
<i>P25</i> Duration of programme end buzzer.....	67
<i>P26</i> Welcome tone.....	68
<i>P90</i> Operating hours.....	68
Networking.....	68
<i>P24</i> RemoteUpdate.....	68
<i>P31</i> Remote control.....	69
<i>P32</i> SmartGrid (only functional in selected countries).....	70
Copyright and licences for the communication module.....	70

## Disposal of the packing material

The transport and protective packaging has been selected from materials which are environmentally friendly for disposal, and can normally be recycled.

Recycling the packaging reduces the use of raw materials in the manufacturing process and also reduces the amount of waste in landfill sites.

Ensure that any plastic wrappings, bags etc. are disposed of safely and kept out of the reach of babies and young children. Danger of suffocation.

## Disposing of your old appliance

Electronic and electrical appliances contain many valuable materials. They also contain certain materials, compounds and components which were essential for their correct functioning and safety. These could be hazardous to your health and to the environment if disposed of with general waste or if handled incorrectly. Please do not, therefore, dispose of your old appliance with your household waste.



Take care not to damage the tumble dryer's pipework and heat exchanger before or during transportation to an authorised collection depot.

This is to ensure that refrigerant in the tumble dryer and oil in the compressor are contained, and will not leak into the environment.

Please dispose of it at your local community waste collection/recycling centre for electrical and electronic appliances, or contact Miele. You are also responsible for deleting any personal data that may be stored on the appliance being disposed of. Please ensure that your old appliance presents no danger to children while being stored awaiting disposal.

# Warnings and safety instructions

---



It is essential to read these instructions.



This tumble dryer contains a refrigerant that is flammable and explosive.

This tumble dryer complies with all current local and national safety requirements. However, inappropriate use can lead to personal injury and damage to property.

Read the operating instructions carefully before using the tumble dryer. They contain important information on safety, installation, use and maintenance of the appliance. This prevents both personal injury and damage to the tumble dryer.

In accordance with standard IEC 60335-1, Miele expressly and strongly advises that you read and follow the instructions in “Installation”, as well as in the “Warning and Safety instructions”.

Miele cannot be held liable for injury or damage caused by non-compliance with these instructions.

Keep these operating instructions in a safe place and pass them on to any future owner.

When instructing other people how to use the tumble dryer, they must be made aware of these Warning and Safety instructions.

## Correct application

► The dryer is intended exclusively for drying textiles washed in water which have been labelled as suitable for tumble drying by the manufacturer on the care label. Any other applications may be dangerous. Miele cannot be held liable for damage resulting from incorrect or improper use or operation.

## Warnings and safety instructions

---

- ▶ This tumble dryer is intended for commercial use in small businesses, care homes, sports clubs, hospitals and other similar commercial environments. This machine may also be operated by lay persons in public areas such as laundrettes, communal laundry rooms or similar.
- ▶ This tumble dryer is also intended for use in domestic households and in similar residential environments, for example by customers in hotels, motels, bed and breakfasts and other related establishments.
- ▶ This tumble dryer is not suitable for outdoor use.
- ▶ This appliance is not intended for use by persons (including children) with reduced physical, sensory or mental capabilities, or lack of experience or knowledge, unless they are supervised whilst using it or have been shown how to use it in a safe way and understand and recognise the consequences of incorrect operation.
- ▶ Young children must not be allowed to use this appliance.
- ▶ Older children may only use the dryer if its operation has been clearly explained to them and they are able to use it safely. They must be able to understand and recognise the possible dangers caused by incorrect operation.
- ▶ Children must not be allowed to clean or maintain the tumble dryer unsupervised.
- ▶ Children should be supervised in the vicinity of the tumble dryer. Do not allow them to play with the appliance.

### Technical safety

- ▶ Before installing the dryer, check it for visible signs of damage. Do not install or use a damaged appliance.
- ▶ Do not make any alterations to the dryer, unless authorised to do so by Miele.
- ▶ Temporary or permanent operation with a self-sufficient or non-mains synchronous energy supply system (e.g. isolated networks, back-up systems) is possible. A requirement for the operation is that the energy supply system complies with all current local and national requirements that apply to stand-alone, solar and/or battery systems. The protective measures provided in the installation and in this Miele product must also be assured in their function and operation in isolated operation or in non-mains synchronous operation, or replaced with equivalent measures in the installation.

## Warnings and safety instructions

---

- ▶ Do not connect the dryer to the mains electricity supply by an extension lead. Extension leads do not guarantee the required safety of the appliance (e.g. danger of overheating).
- ▶ If the electrical connection cable is faulty, it must only be replaced by a Miele authorised service technician to protect the user from danger.
- ▶ The electrical safety of this appliance can only be guaranteed when continuity is complete between it and an effective earthing system. It is essential that this standard safety requirement is observed and regularly tested. If in any doubt, have the electrical installation inspected by a qualified electrician. Miele cannot be held liable for the consequences of an inadequate earthing system (e.g. electric shock).
- ▶ Unauthorised repairs could result in unforeseen dangers for the user, for which Miele cannot accept liability. Repairs must only be carried out by a Miele authorised service technician, otherwise any subsequent damage will not be covered by the warranty.
- ▶ Faulty components must only be replaced by genuine Miele original spare parts. Miele can only guarantee the safety standards of the machine when Miele replacement parts are used.
- ▶ To ensure the correct performance of the tumble dryer and to prevent malfunctions and fire hazards, it is important to carry out maintenance on a regular basis.
- ▶ In the event of a fault and for cleaning purposes, the tumble dryer must be disconnected from the electricity supply. It is only completely disconnected when:
  - it is switched off at the wall socket or the plug is withdrawn, or
  - the mains fuse is disconnected, or
  - it is switched off at the mains circuit breaker.

For further information see “Installation - Electrical connection”.

- ▶ This tumble dryer must not be installed and operated in mobile locations (e.g. on a ship).
- ▶ Please observe the instructions in “Installation” and “Technical data”.
- ▶ The electrical socket must be easily accessible so that the tumble dryer can be disconnected from the electricity supply.




## Warnings and safety instructions

---

- ▶ If the appliance is hard wired, adequate provision must be made on site to switch off all poles to disconnect the tumble dryer from the electricity supply. The means of disconnection must be incorporated in the fixed wiring in accordance with the wiring rules.
- ▶ The gap between the bottom of the tumble dryer and the floor must not be blocked with plinth facings, deep pile carpet etc., which would obstruct the openings. This would hinder a sufficient flow of air to the tumble dryer.
- ▶ The appliance must not be installed behind a lockable door, a sliding door or a door with a hinge on the opposite side to that of the tumble dryer, in such a way that a full opening of the tumble dryer door is restricted.
- ▶ This tumble dryer is supplied with a special lamp to cope with particular conditions (e.g. relating to temperature, moisture, chemical resistance, abrasion resistance, and vibration). This special lamp must only be used for the purpose for which it is intended. It is not suitable for room lighting. Replacement lamps may only be fitted by a Miele authorised technician or by Miele Professional Service.



- ▶ The R290 refrigerant contained in this tumble dryer is flammable and explosive. If the tumble dryer is damaged, proceed as follows:
  - Avoid naked flames or anything which creates a spark.
  - Disconnect the dryer from the electricity supply.
  - Air the room where the tumble dryer is located.
  - Contact Miele Customer Service.

 Risk of fire and explosion due to damage to the tumble dryer. The refrigerant is flammable and explosive if it leaks. Take measures to protect the tumble dryer against damage. Do not make any alterations to the tumble dryer.

## Warnings and safety instructions

---

► This tumble dryer uses a gaseous refrigerant which is condensed by the compressor. Having been increased to a high temperature level by compression, the refrigerant passes through a closed refrigerant circuit. The heat generated is transferred to the drying air as it passes through the heat exchanger.

- The humming noises caused by the heat pump during the drying process are normal. They do not impair the correct functioning of the dryer.
- The refrigerant is environmentally friendly and does not damage the ozone layer.

⚠ Damage to the tumble dryer by switching it on too soon.

This can damage the heat pump.

After setting up the tumble dryer, wait for at least one hour before starting a drying programme.

### Correct use



**WARNING:  
FLAMMABLE MATERIAL**

⚠ Warning: Risk of fire / Flammable materials.

To avoid the possible danger of fire, please read these warnings carefully.

⚠ A clogged filter is a fire hazard!

The fluff filter must be cleaned after every programme.

► The maximum load is 8 kg (dry laundry). See the “Programme chart” for the maximum recommended loads for individual programmes.

## Warnings and safety instructions

---

- ▶ Do not lean on the door. Otherwise, the tumble dryer may tip over, causing injury to yourself or others.
- ▶ Always close the door after use. This way you will avoid the danger of
  - children climbing into the tumble dryer or hiding things in it.
  - pets or other small animals climbing into the tumble dryer.
- ▶ Do not use a pressure washer or high-pressure hose to clean the tumble dryer.
- ▶ Keep the room where the tumble dryer is located free from dust and fluff. If the air that is taken into the machine contains dirt particles, they can cause blockages. This can lead to faults and create a fire hazard.
- ▶ The tumble dryer must not be used
  - without the fluff filters and the filter in the plinth in place.
  - if the fluff filters or the filter in the plinth are damaged in any way. In case of damage, fluff filters and plinth filter must be replaced immediately.

A damaged filter would cause an excessive build-up of fluff which in turn would cause a fault.

- ▶ To ensure problem-free operation of the dryer:
  - Remove the fluff from the filter surfaces and the fluff filters after every drying cycle.
  - In addition, the fluff filters, filter surfaces, the grille at the bottom right and the air passages must be cleaned when prompted by the display.
  - Fluff must not be allowed to accumulate around the tumble dryer.
  - The fluff filter and plinth filter must be thoroughly dried after cleaning them with water. Do not replace them if they are damp or wet. Wet or damp filters could cause operational faults.
- ▶ Do not install the tumble dryer in a room where there is a risk of frost. At temperatures around freezing point, the tumble dryer may not be able to operate properly. There is a risk of damage if the condensed water is allowed to freeze in the pump and drain hose. The permitted room temperature is between 2 °C and 35 °C.

## Warnings and safety instructions

---

▶ If the water is drained externally, make sure the drain hose is secured against slipping, e.g. if you hang it in a laundry tub or laundry trough.

Otherwise the hose may slip off and the condensation water flowing out may cause damage.

▶ Condensed water is not drinking water.

It can cause health problems in both people and animals if consumed.

▶ Oil-affected items can ignite spontaneously, especially when exposed to heat sources such as in a tumble dryer.

The items become warm, causing an oxidation reaction in the oil. Oxidation creates heat.

If the heat cannot escape, the items can become hot enough to catch fire. Piling, stacking or storing oil-affected items can prevent heat from escaping and so create a fire hazard.

If it is unavoidable that fabrics contaminated with vegetable or cooking oil, or hair care products, be placed in a tumble dryer, they should first be washed in hot water with extra detergent - this will reduce, but not eliminate, the hazard.

▶ To prevent the risk of fire, the following textiles must never be dried in the tumble dryer:

- Items which have been cleaned using industrial chemicals (e.g. professional dry-cleaning agents).
- Fabrics which contain a large proportion of rubber, foam rubber or rubber-like materials. For example, products made from latex foam rubber, shower caps, waterproof textiles, rubberised articles and items of clothing and pillows with foam rubber filling.
- Fabrics which contain padding or fillings which are damaged (e.g. pillows, jackets). The filling could fall out and cause a fire.

▶ To prevent the risk of fire, the following textiles must not be dried in the tumble dryer:

- Items which have not been washed.
- Items, such as workwear, which have not been thoroughly cleaned and are still soiled with grease, oil or other deposits (such as cooking oils, cosmetics, lotions, etc.). If items have not been

## Warnings and safety instructions

---

thoroughly cleaned, there is a danger that they might ignite when heated, even after they have been removed from the tumble dryer at the end of the programme.

- Items (e.g. mops and floor cloths) that have been treated with inflammable cleaning agents or which contain residues of acetone, alcohol, benzene, petrol, kerosene, stain remover, turpentine, wax and wax remover or other chemicals.
- Items which have been splashed with hair lacquer, hair spray, nail varnish remover or similar substances.

When washing such heavily soiled items ensure that you use a larger quantity of detergent and select a high temperature. If in doubt, wash the items several times.

▶ Remove all items from pockets (e.g. lighters, matches).

▶ **WARNING:** Never switch the tumble dryer off before the end of the drying programme unless all items are removed immediately and spread out to cool down.

▶ Fire hazard!

This tumble dryer must not be connected to a controllable socket (e.g. a timer or a peak-load switch-off device).

There is a risk of the laundry self-igniting if the drying programme is cancelled before the cooling phase has finished.

▶ The programme finishes when the cooling phase has been completed. Many programmes are followed by a cooling phase to ensure that the items are not too hot to handle when you remove them (this also reduces the risk of the laundry self-igniting).

Make sure that you do not remove the laundry until the programme has finished.

▶ Fabric softener and similar products must be used according to the instructions on the manufacturer's packaging.

▶ Do not store or use petrol, kerosene, paraffin or other flammable substances near the dryer. Risk of fire and explosion!

▶ The heat pump that is essential to the operation of this tumble dryer generates a lot of heat inside its casing. It must be possible to dissipate this heat well. Otherwise loads could take longer to dry or the tumble dryer might sustain damage in the long term.

## Warnings and safety instructions

---

The following mandatory requirements must be met:

- permanent room ventilation from the beginning to the end of every drying programme.
- a gap between the floor and the bottom of the tumble dryer (this must not be blocked or obstructed in any way).

▶ Do not expose the dryer to air which contains chlorine, fluorine or other solvent vapours. This contaminated air can cause a fire.

▶ For appliance parts made from stainless steel:

Avoid contact between stainless steel surfaces and liquid detergents or disinfecting agents containing chlorine or sodium hypochlorite.

These agents can cause corrosion on stainless steel.

Aggressive chlorine bleach vapours can also be corrosive.

Do not store open containers of these agents near the appliance.

▶ In areas which may be subject to infestation by cockroaches or other vermin, pay particular attention to keeping the appliance and its surroundings in a clean condition at all times. Any damage which may be caused by cockroaches or other vermin will not be covered by the warranty.

### Using a fragrance flacon (optional accessory)

- ▶ Only ever use original Miele fragrance flacons.
- ▶ The fragrance flacon must be stored in its packaging so please make sure you retain this.
- ▶ Make sure that you always keep the fragrance flacon, or the fluff filter with the flacon inserted in it, in a horizontal position when carrying it, and do not tip or place it down on any surface. The fragrance can leak.
- ▶ Use an absorbent cloth immediately to wipe up any fragrance which has run out of the flacon onto the floor, the dryer or any dryer components (e.g. the fluff filter).
- ▶ If fragrance which has run out of a flacon should come in contact with the **skin** - wash the skin thoroughly with soap and water; come in contact with the **eyes** - rinse the eyes with clean water for at least 15 minutes; be swallowed - rinse out the **mouth** thoroughly with clean water. Seek medical advice in the case of contact with the eyes or if fragrance has been swallowed.
- ▶ If fragrance which has run out of a flacon comes in contact with clothing, change the clothing immediately. Wash the clothing or any cloths used for mopping up fragrance thoroughly with plenty of water and detergent.
- ▶ There is the risk of fire or damage to the tumble dryer if the following instructions are not observed:
  - Never refill a flacon with fragrance.
  - Never use a faulty fragrance flacon.
- ▶ Dispose of an empty fragrance flacon with the household waste and never use it for any other purpose.
- ▶ Please also observe the information supplied with the fragrance flacon.

# Warnings and safety instructions

---

## Accessories


▶ Only use genuine Miele spare parts and accessories with this machine.

If spare parts or accessories from other manufacturers are used, any warranty, performance and product liability claims will be invalidated.

▶ Miele tumble dryers and Miele washing machines can be installed as a washer-dryer stack. This requires a Miele washer-dryer stacking kit which can be purchased separately. Please ensure that the washer-dryer stacking kit is suitable for your Miele tumble dryer and your Miele washing machine.

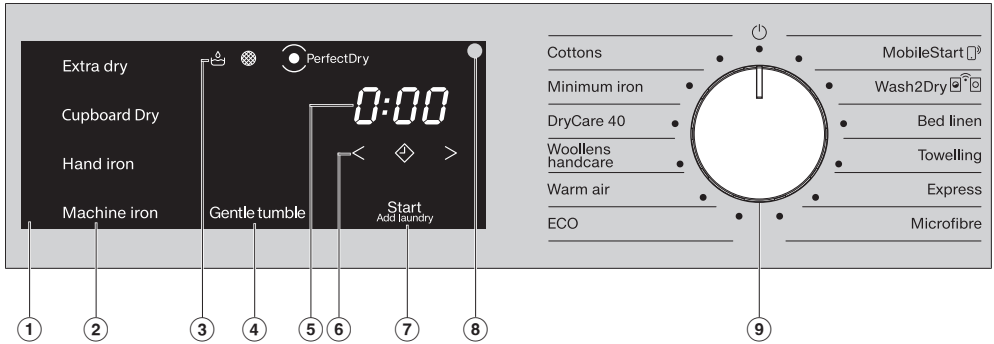
▶ If you order a plinth for this tumble dryer (available from Miele as an optional accessory), make sure it is the correct one.

▶ Miele will guarantee to supply functional spare parts for a minimum of 10 years and up to 15 years following the discontinuation of your tumble dryer.

 Miele cannot be held liable for damage caused by non-compliance with these Warning and Safety instructions.




## Control panel




① **Control panel**

② **Sensors for the drying levels**

③ **Indicator lights**   
light up when necessary

④ **Gentle tumble sensor**  
for gentle drying

⑤ **Time display**  
for the programme duration

⑥ **Sensors**   
for time selection


⑦ **Start/Add laundry sensor**  
Touching the *Start/Add laundry* sensor starts a programme.

⑧ **Optical interface**  
for service technicians

⑨ **Programme selector**  
For selecting programmes and for switching the machine off.

# Operating the tumble dryer

## How the programme selector works

The programme selector is operated by turning. The tumble dryer is switched on by selecting a programme and switched off by turning the programme selector to the  position.

If the tumble dryer is connected to the Wi-Fi network, you will have access to the following alternative options for selecting programmes.

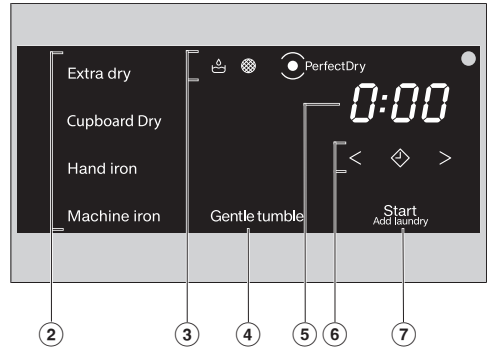
### MobileStart

You can operate your tumble dryer remotely with the Miele App.

### Wash2Dry

A drying programme tailored to the laundry is set automatically in conjunction with the connected washing machine.

## How the control panel works



The ②, ④, ⑥, and ⑦ sensors react to fingertip contact. Selection is possible as long as the respective sensor is illuminated.

If a sensor is brightly lit, this means it is currently selected.

If a sensor is dimly lit, this means it can be selected.

### ② Sensors for the drying levels

After selecting a drying level programme with the programme selector, the active drying level lights up brightly.


Drying levels that can be selected are dimly lit.

# Operating the tumble dryer

## ③ Indicator lights

-  lights up if condensate drainage via the drain hose is hindered.
-  lights up when the plinth filter needs to be cleaned.
-  *Perfect Dry*  
With programmes with a selectable drying level, the Perfect Dry system calculates the residual moisture present in the laundry to ensure a precise drying result.  
After starting the programme, this message. . .  
. . . will flash until the programme duration has been determined, and then go out.  
. . . will light up when the selected drying level is reached near the end of the programme.  
. . . will remain dark with the following programmes: *Woollens handcare*, *Warm air*.

## ④ Gentle tumble sensor

For drying temperature-sensitive textiles with the  symbol. When the sensor is touched, *Gentle tumble* lights up brightly.

With some programmes, *Gentle tumble* is always active (lights up) or inactive (does not light up).




## ⑤ Time display

The remaining programme duration is displayed in hours and minutes.

With most programmes, the duration displayed may vary or "jump". The following factors, among others, affect the programme duration displayed: the quantity of laundry, the type of fabric and the residual moisture in the laundry.

The electronics will continually assess the conditions and adjust the programme duration with increasing accuracy.

## ⑥ Sensor controls < >

-  After touching the  sensor, a later start time for the programme (Delay start) can be selected. Once selected,  lights up brightly.
- < >  
The < or > sensors are used for selecting the duration of the Delay start period or the duration of the *Warm air* programme.

## Start/Add laundry sensor


Touching the *Start/Add laundry* sensor starts a programme. The current programme can be interrupted to add laundry. The programme can be started when the sensor is flashing on and off. The sensor lights up constantly once the programme has started.

## Drum lighting


When you open the door of the tumble dryer, the drum is illuminated along with the area immediately in front of the dryer. This prevents you from accidentally leaving behind any items in the drum or in your laundry basket. The drum lighting will go out automatically to save energy.

# Using for the first time

## Installation

 Risk of injury or damage to property due to improper installation. Incorrect installation of the tumble dryer can lead to personal injury or damage to property.

Before using the tumble dryer for the first time, make sure it has been installed and connected correctly. Please observe the instructions in "Installation".

 Damage caused by switching the appliance on too soon.

This can damage the heat pump. After setting up the tumble dryer, wait for at least one hour before starting a drying programme.

## Information about networking

### Miele@home

Your tumble dryer is equipped with an integrated Wi-Fi module.

To use this feature, you will need:

- a Wi-Fi network
- the Miele App
- a Miele user account. You can create a user account via the Miele App.

The Miele App will guide you as you connect your tumble dryer to your home Wi-Fi network.

Once your tumble dryer is connected to your Wi-Fi network you can use the App, for example, to carry out the following activities:

- Operate the tumble dryer remotely
- Call up information on the operating status of your tumble dryer

- Call up information on the programme sequence of your tumble dryer

Connecting your tumble dryer to your Wi-Fi network will increase energy consumption, even when the tumble dryer is switched off.

Before installing the tumble dryer in its final location, ensure the signal strength of your Wi-Fi network is sufficient.

### Availability of the Wi-Fi connection

The Wi-Fi connection shares a frequency range with other appliances (including microwave ovens and remote control toys). This may result in sporadic or even complete connection failures. Therefore, a constant availability of featured functions cannot be guaranteed.

### Miele@home availability

The ability to use the Miele App depends on the availability of the Miele@home service in your country.

The Miele@home service is not available in every country.

For information about availability, please visit [www.miele.com](http://www.miele.com).

### Miele App

You can download the Miele App from the Apple App Store® or the Google Play Store™ free of charge (only functional in selected countries).



## Wash2Dry

Once the wash programme has completely finished, the Miele washing machine transfers the programme data via the router to which the networked tumble dryer is also connected, as well as transferring it to the Miele Cloud. The tumble dryer automatically sets a drying programme tailored to the laundry based on the transferred programme data.

All you need to do is start the drying programme once you have loaded the tumble dryer. No further programme settings are required on the tumble dryer.

The drying programme must be started within 24 hours of the end of the wash programme. The data will be kept available for the tumble dryer during this period, but will be overwritten when a new wash programme ends.

**Useful tip:** Do not disconnect the tumble dryer from the network. The programme data transferred by the washing machine will be received by the tumble dryer as soon as you select *Wash2Dry*.

If you have disconnected the appliance from the network beforehand, this will cause a delay in receiving the data.

In order to use the *Wash2Dry* function, the Miele washing machine and tumble dryer must be networked using Miele@home services.

**Useful tip:** Set up Miele@home as described in these operating instructions.


## Setting up Miele@home

There are 2 ways of connecting:

1. Via the Miele App (default)
2. Via WPS  
To do so, you will need a WPS-compatible router.

### Signing on via the Miele App

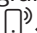

The Miele App can be used to connect to your network.

- Turn the programme selector to *MobileStart* .

*APP* appears in the time display and the timeout starts to count down from 10 minutes. The Miele App will guide you through the remaining steps.

When you have successfully connected, *Con* will appear in the time display.

### Signing on via WPS

- Turn the programme selector to *MobileStart* .
- Touch the  sensor until *WPS* appears in the time display and a short keypad tone sounds.

The timeout time then starts to count down from 2 minutes in the time display.

- Activate the WPS function on your router within 2 minutes.

When you have successfully connected, *Con* will appear in the time display.


**Useful tip:** If the connection has not been set up when the timeout has finished counting down, repeat the process.

# 1. Notes on correct laundry care

## Washing


- Wash heavily soiled laundry thoroughly. Ensure that you use sufficient detergent and select a high temperature. If in doubt, wash the items several times.
- New, coloured items should be washed thoroughly and separately. Do not dry these garments together with light coloured garments. There is the risk of colours running and discolouring other garments or even plastic components in the tumble dryer. Dark coloured fluff can also settle on light coloured garments and vice versa.

## Drying

 Damage due to foreign objects which were not removed from the laundry.

Foreign objects can melt, burn, or explode.

Ensure that any foreign objects (e.g. detergent dispensing balls, lighters, etc.) have been removed from the laundry.








 Risk of fire due to incorrect use and operation.

The laundry can burn and destroy the dryer and the surroundings.

See “Warning and Safety instructions” for further information.

- Check seams and stitching to ensure that padding and linings are intact. This way you can prevent fillings from falling out, which could create a fire hazard.
- Sew in or remove loosened underwiring from bras.

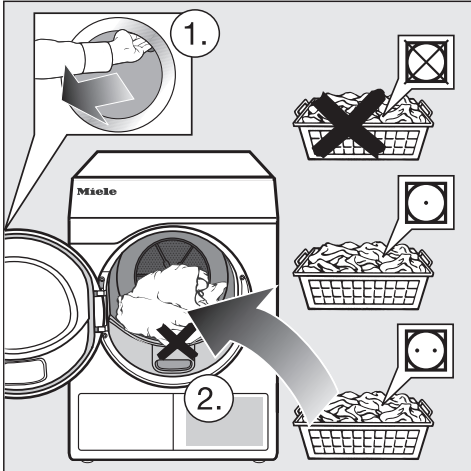
## Garment care label symbols

Drying	
	normal/higher temperature
	reduced temperature*
* select <i>Gentle tumble</i>	
	Do not tumble dry
Ironing	
	very hot
	hot
	hot
	Do not iron

## 2. Loading the tumble dryer

### Loading the laundry

Textiles can be damaged.  
Before loading the dryer, read "1. Notes on correct laundry care".



- Open the door.
- Load the laundry.

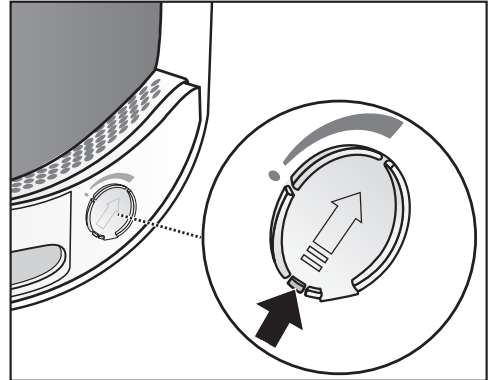
Textiles can be damaged.  
When closing the door, make sure that laundry does not get trapped in the door opening.

Do not overload the drum. Overloading can cause unnecessary wear and tear to the laundry and give a disappointing drying result. It can also cause more creasing.

### Checking the socket for the fragrance flacon

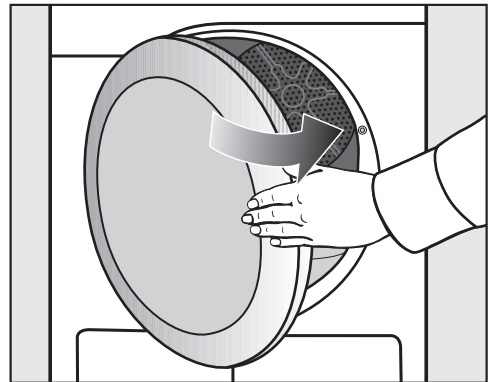
If you are not using a fragrance flacon, check that the socket is closed.

See "Fragrance flacon" for information on how to use fragrance flacons.



- Push the tab down completely (see arrow) so that the socket is closed. Otherwise, fluff will accumulate here.


### Closing the door

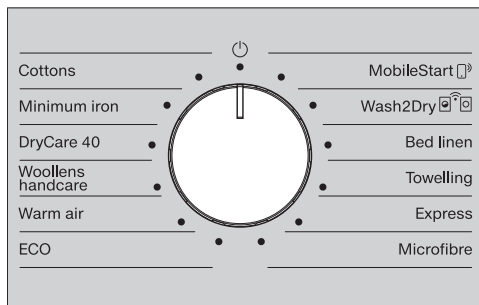


- Shut the door with a gentle swing.

### 3. Selecting a programme

#### Switching on the tumble dryer

The tumble dryer is switched on by selecting a programme and switched off by turning the programme selector to the  position.



- Turn the programme selector to a programme.

#### Selecting a programme

There are 3 possible ways to select a programme:

##### 1. Selecting drying programmes using the programme selector

- Turn the programme selector to the required programme.

A drying level may light up and durations will appear in the time display.

##### 2. Selecting drying programmes via the MobileStart programme selector position


- Turn the programme selector to *MobileStart* .

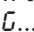
 will light up in the time display.

- Touch the *Start/Add laundry* sensor.

The tumble dryer can now be operated via a mobile device together with the Miele App.

##### 3. Selecting a drying programme via the Wash2Dry programme selector position


- Once the wash programme has ended, place the clean laundry in the tumble dryer and close the door.
- Turn the programme selector to *Wash2Dry* .

If the connection is successful,  will flash in the display. Once the washing machine programme has completely finished, the drying time and the drying level will be displayed in the tumble dryer time display.


- To start the programme, all you need to do is press the *Start/Add laundry* sensor on the tumble dryer.

A programme will not be selected on this tumble dryer after washing delicate textiles (e.g. curtains) in special wash programmes.

Readouts in the time display:

...... Dryer starting query

--- No programme selection on the tumble dryer possible or the dryer is waiting for data

 The tumble dryer is not connected to the network

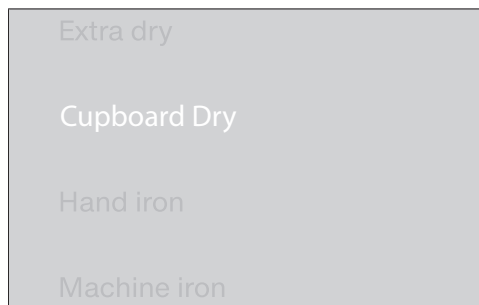


## 3. Selecting a programme

### Selecting programme settings

#### Selecting the drying level

Check the “Programme chart” to see which programme you can select a drying level for and which drying level meets your requirements.

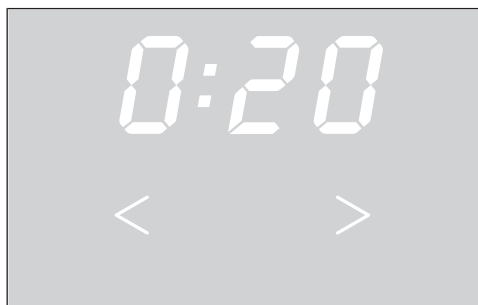


- Touch the sensor for the required drying level.

The selected drying level lights up brightly.


#### Selecting the Warm air duration

You can set the duration in ten-minute increments from 0:20 minutes to 2:00 hours.



- Touch the < or > sensor repeatedly until the required programme duration appears in the time display.

#### Selecting Gentle tumble

Delicate fabrics (with the  symbol on the care label, e.g. acrylic garments) are dried at a lower temperature and with a longer programme duration.

- Touch the *Gentle tumble* sensor. It will light up brightly.
- *Gentle tumble* can be selected with the following programmes:
  - *Cottons*
  - *Minimum iron*
  - *Warm air*
- *Gentle tumble* is permanently active in the case of *DryCare 40*.

## 4. Starting a programme

---

### Starting a programme

- Touch the flashing *Start/Add laundry* sensor.

The *Start/Add laundry* sensor lights up.

### Programme sequence

- The tumble dryer constantly measures the drying level and calculates the required programme running time based on the residual moisture of the items. The *PerfectDry* indicator flashes during the first measuring phase. The indicator lights up when the selected drying level is complete.
- The drying level that has been reached pulses dimly. When the selected drying level is reached, it will flash brightly.
- The empty drum detection feature will detect if you place a small number of items inside the tumble dryer or load it with dry laundry. The automatic load recognition function will then restrict the running time of the selected programme once it has started. The fabrics will be gently dried or aired. In this case, the *PerfectDry* indicator does not light up.

Laundry items and fabrics can wear out unnecessarily.  
Avoid overdrying laundry and garments.

### Energy saving

Indicators are switched off after 10 minutes. The *Start/Add laundry* sensor flashes slowly.

- Touch the *Start/Add laundry* sensor to switch the indicators on again (this does not have any effect on a running programme).

### Adding laundry

You can add laundry after the programme has started.

- Follow the instructions in the sections “Changing the programme sequence” and “Adding or removing laundry”.

## 5. End of programme - unloading the drum

### At the end of the programme

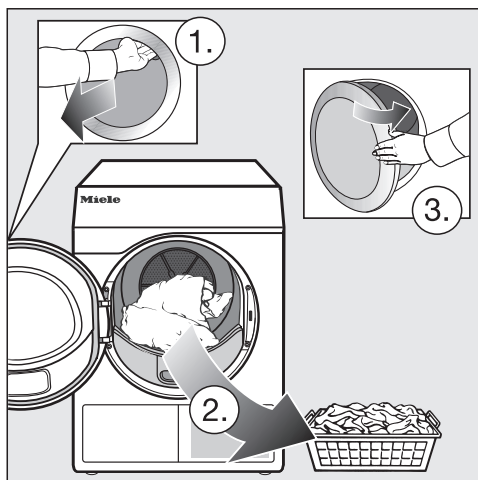
The laundry is cooled down shortly before the end of the programme. The laundry can then be removed.

The programme has ended when only 0:00 is shown in the display.

If *Anti-crease* has been selected (see "Programmable functions"), the drum will rotate in intervals. This reduces creasing if the laundry cannot be removed straight away.

The tumble dryer switches off automatically 15 minutes after the end of the programme.

### Removing the laundry



- Open the door.
- Make sure that you empty the drum completely.

Items left in the dryer could be damaged by overdrying when the dryer is used the next time. Always remove all items from the drum.

- Switch the tumble dryer off.

### Observing care instructions

This tumble dryer requires regular maintenance, particularly if it is used on a continuous basis.

**Useful tip:** See "Cleaning and care". Read the section "Observing cleaning intervals" first.

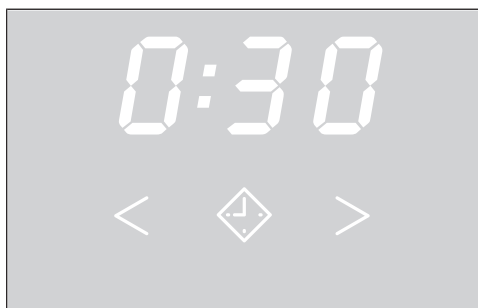
## ◆ Delay start/SmartStart

### Selecting Delay start

With Delay start you can delay the start of a programme from 0:30 minutes up to 24h (hours).

Delay start cannot be used with the *Warm air* programme.

- Start by selecting a programme with programme settings.



- Touch the ◆ sensor.

The ◆ sensor lights up brightly.

- Touch the > or < sensor repeatedly until the required Delay start time appears in the time display.

The time will count upwards and downwards automatically if you touch the > or < sensor continuously.

### Starting Delay start

- Touch the *Start/Add laundry* sensor to start the Delay start function.
  - Delay start times of more than 10h will count down in hours and then in minutes until the start of the programme.
  - With a longer delayed start time, the drum will rotate occasionally to untangle the laundry. This is not a fault.

### Altering Delay start

If you would like to alter the Delay start function after starting a programme, the function must be cancelled first.

- Turn the programme selector to the ⏻ position.

The tumble dryer is switched off and Delay start is cancelled.

- Select a programme.
- Select a Delay start time.

### Adding laundry during the Delay start period

- Follow the instructions in the sections "Changing the programme sequence" and "Adding or removing laundry".


## SmartStart

The SmartStart function (only available in selected countries) lets you define a time period during which your tumble dryer will start automatically. The machine will start on receipt of a signal, e.g. from your energy supplier, that indicates that the electricity rate is particularly economical.


This function is active when the P32 SmartGrid programmable function is activated

The timeframe can be defined between 30 minutes and 24 hours. During this period, the tumble dryer waits for the signal from the energy supplier. If no signal is sent during the defined period, the tumble dryer starts the drying programme.

## Setting the timeframe

If the P32 SmartGrid programmable function is activated, the function of the  sensor changes. The time display no longer shows the Delay start period, and instead shows the time period in which your tumble dryer can be started automatically.

The procedure for setting this is the same as for setting the time for Delay start.

- Touch the  sensor.
- Set the time period you want using the < or > sensor.
- Touch the *Start/Add laundry* sensor.

A flashing readout appears in the time display for the duration:  $\bar{L}$ ... .



The period can be ended by opening the door.

# Programme chart

All weights marked with \* are based on the weight of dry laundry.

<b>Cottons</b>		<b>Max. load 8 kg*</b>
<b>Extra dry, Cupboard Dry</b>		
Items	<ul style="list-style-type: none"> <li>- Single and multi-layered cotton fabrics.</li> <li>- Towelling, bathrobes, T-shirts, underwear, jersey/terry bed linen, baby clothes.</li> <li>- Workwear, jackets, cotton blankets, aprons, tea towels, bed linen, towels, overalls, table linen.</li> </ul>	
Notes	<ul style="list-style-type: none"> <li>- Select <i>Extra dry</i> for multi-layered and very thick fabrics.</li> <li>- Do not use <i>Extra dry</i> for jersey fabrics (e.g. T-shirts, underwear, baby clothes), as they have a tendency to shrink.</li> <li>- <i>Cottons Extra dry</i> is the programme used in energy consumption tests according to AS/NZS 2442.</li> </ul>	
<b>Hand iron, Machine iron</b>		
Items	<ul style="list-style-type: none"> <li>- Cotton and linen fabrics.</li> <li>- Table linen, bed linen, or starched laundry.</li> </ul>	
Notes	To prevent laundry from drying out, it should be rolled up until you are ready for ironing.	
<b>Minimum iron</b>		<b>Max. load 4 kg*</b>
<b>Cupboard Dry, Hand iron plus</b>		
Items	<ul style="list-style-type: none"> <li>- Minimum iron items made of cotton, synthetic, or mixed fibre.</li> <li>- Workwear, overalls, pullovers, dresses, trousers, leggings and table linen.</li> </ul>	
<b>DryCare 40</b>		<b>Max. load 4 kg*</b>
<b>Cupboard Dry, Hand iron, Machine iron</b>		
Items	<ul style="list-style-type: none"> <li>- All fabrics that are free of wool and are washable at temperatures of 40°C and above.</li> <li>- Minimum iron items made of cotton, synthetic or mixed fibre, e.g. trousers, outdoor jackets or shirts</li> </ul>	
Notes	This option dries fabrics gently at a very low temperature.	

# Programme chart

<b>Woollens handcare</b>		<b>Max. load 2 kg*</b>
Items	Woollen garments and textiles containing wool blends, e.g. pullovers, cardigans, stockings.	
Notes	<ul style="list-style-type: none"> <li>- Wool and wool blend items are only fluffed up; they are not dried completely.</li> <li>- Remove items as soon as the programme has finished and leave to finish drying at room temperature.</li> </ul>	
<b>Warm air</b>		<b>Max. load 8 kg*</b>
Items	<ul style="list-style-type: none"> <li>- Jackets, sleeping bags, pillows and other voluminous items.</li> <li>- Fabrics made up of multiple layers, e.g. heavy cotton table cloths.</li> <li>- Individual items of laundry, e.g. towels, swimwear, tea towels.</li> </ul>	
Notes	<ul style="list-style-type: none"> <li>- For finishing drying multi-layered or voluminous items that dry unevenly due to their composition.</li> <li>- For drying a small number of individual garments.</li> <li>- Do not select the longest drying time to start with. Check the items as you are drying them to find the optimal time.</li> </ul>	
<b>ECO</b>		<b>Max. load 8 kg*</b>
Items	Cotton items such as those described under <i>Cottons Cupboard Dry</i> with normal residual moisture.	
Notes	This programme only dries to the <i>Cupboard Dry</i> level.	
<b>MobileStart</b> 		
The Miele App is used to select programmes and operate the appliance.		
<b>Wash2Dry</b> 		
The programme is selected automatically in conjunction with the programme selection on the connected washing machine.		
<b>Bed linen</b>		<b>Max. load 4 kg*</b>
<b>Extra dry, Cupboard Dry, Hand iron, Machine iron</b>		
Items	Bed linen, pillow cases.	
<b>Bedding and towelling</b>		<b>Max. load 8 kg*</b>
Items	Large quantities of single-layered and multi-layered towelling items. These include towels, bath robes, face washers, terry bed linen.	
Notes	This programme only dries to the <i>Extra dry</i> level.	

## Programme chart

---

<b>Express</b>		<b>Max. load 4 kg*</b>
<b>Extra dry, Cupboard Dry, Hand iron, Machine iron</b>		
Items	Hard-wearing textiles suitable for the <i>Cottons</i> programme.	
Notes	Shorter programme duration	
<b>Microfibre</b>		<b>Max. load 7 kg*</b>
<b>Extra dry, Cupboard Dry</b>		
Items	Microfibre mops and cleaning cloths.	





# Changing the programme sequence


---

## Changing a programme after it has started

It is no longer possible to change the selected programme. This prevents the appliance being operated unintentionally, e.g. by children.

If you adjust the programme selector, the  symbol will light up in the time display. The  symbol goes out when you select the original programme.

## Cancelling the current programme

- Turn the programme selector to the  position.

The programme is cancelled.

You can now select a new programme.

## Adding or removing laundry

You have forgotten an item of laundry, but the programme has already started.

- Touch the *Start/Add laundry* sensor.

The word *Add* will appear in the time display. The *Start/Add laundry* sensor flashes slowly.

- Open the door.
- Add or remove laundry.

You can still change the programme selection.

- Close the door.
- Touch the *Start/Add laundry* sensor.

The programme will continue.

## Exceptions

In some cases – for example, during the cooling phase – it is not possible to add laundry items. In these cases, the word *Add* is not displayed.

**Useful tip:** In exceptional cases, the door can be opened while the programme is running.


# Fragrance flacon

## FragranceDos

Fragrance flacons (optional accessories) can be used to give your laundry a pleasant scent.

This dryer has 2 places for inserting fragrance flacons. This gives you a choice of how to use them.

- You can use both positions if you wish to change from one scent to another. You can close the fragrance flacon that you are not using.
- Use both positions if you want a more intense scent of the same fragrance, or if you wish to conveniently switch between a scent for normal laundry and DryFresh to freshen up your laundry.
- Use one socket only if you only want to use the one fragrance.

 Risk of fire and harm to health if fragrance flacons are used incorrectly.

Leaked fragrance can be harmful to your health if it comes into contact with your body. Leaked fragrance can cause a fire.

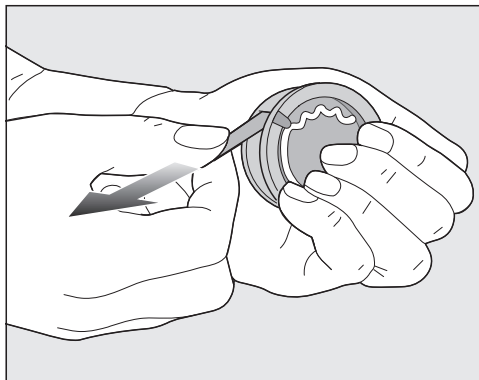
Before using a fragrance flacon, please read "Warning and Safety instructions - Using a fragrance flacon (optional accessory)".

## Removing the protective seal from the fragrance flacon

Only hold the fragrance flacon as illustrated. Do not hold it at an angle or tip it as the fragrance will leak out.

- Take the fragrance flacon out of its packaging.

Do not attempt to open the fragrance flacon.

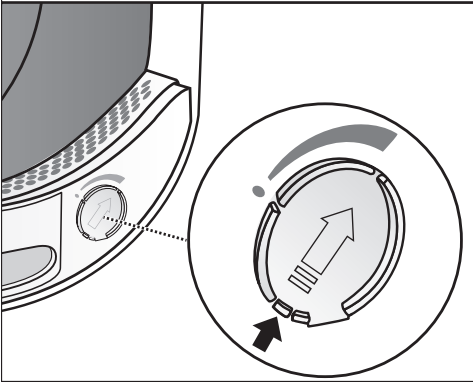
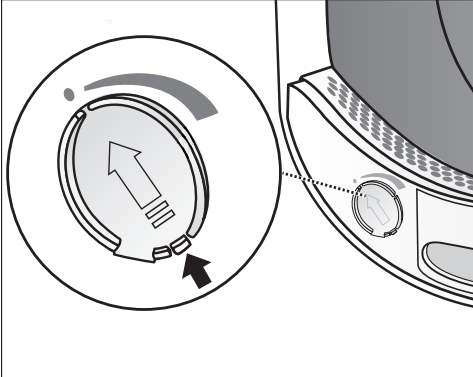


- Hold the fragrance flacon securely so that you do not open it by mistake.
- Pull off the protective seal.

## Inserting the fragrance flacon

- Open the door of the tumble dryer.

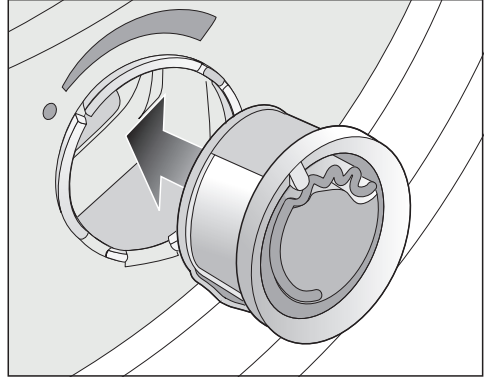
The fragrance flacon is inserted in the upper fluff filter. It can be inserted on the left or the right-hand side beside the grip.



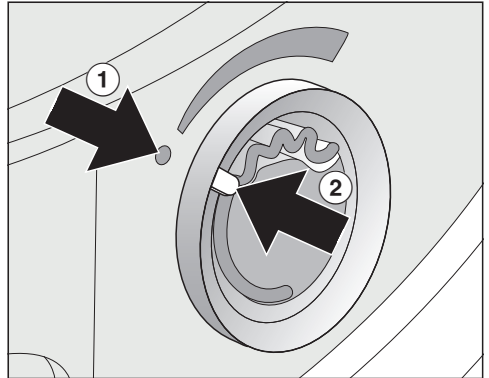
- Open the cover using the tab until the tab is right at the top as shown.

To prevent the accumulation of fluff, the cover of the unused socket must remain closed.

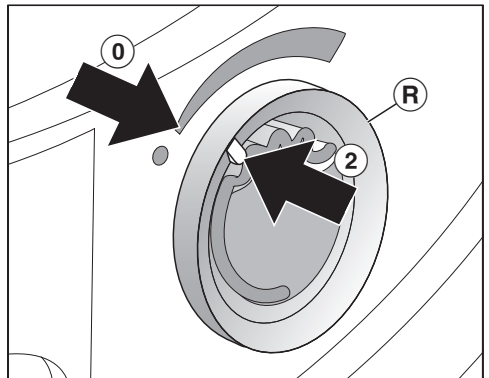
Push the tab of the cover to the bottom (see dark arrow), until you hear it click into position.



- Insert the fragrance flacon in the opening as far as it will go.



Markers ① and ② must line up with each other.



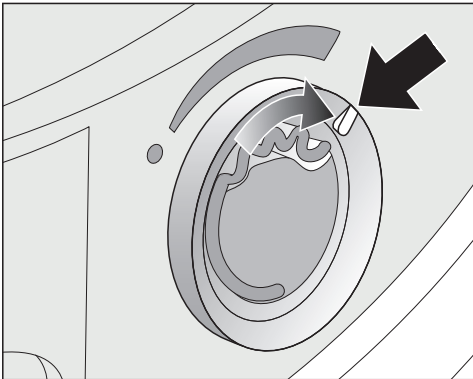
## Fragrance flacon

- Turn the outer ring **Ⓜ** clockwise a little.

The fragrance flacon can slip out. Turn the outer ring so that markers **②** and **Ⓜ** line up.

### Opening the fragrance flacon

Before drying, you can select the intensity of the fragrance.

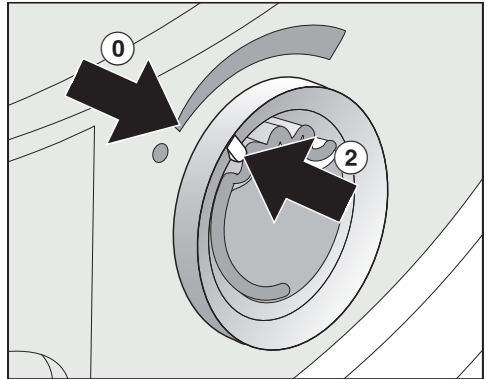


- Turn the outer ring clockwise: the further you open the fragrance flacon, the more intense the fragrance.

The fragrance is only released into the laundry effectively with damp laundry and longer drying times with sufficient heat transfer. The fragrance will also be noticeable in the room air during the drying process.

### Closing the fragrance flacon

After drying, the fragrance flacon should be closed to prevent the fragrance from escaping needlessly.

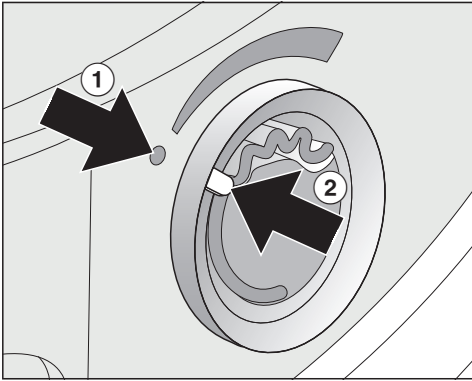


- Turn the outer ring anti-clockwise until marker **②** is in position **Ⓜ**.

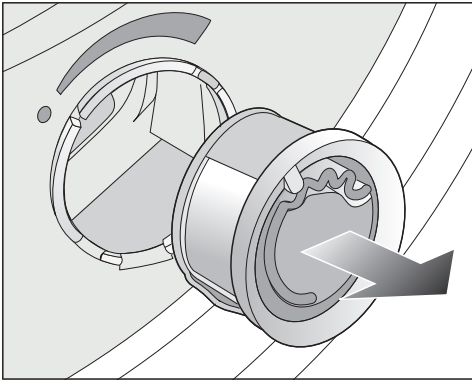
If you wish to dry laundry without adding fragrance: remove the fragrance flacon and store it in its original packaging.

When the intensity of the fragrance is no longer sufficient, replace the fragrance flacon with a new one.

## Removing/replacing the fragrance flacon



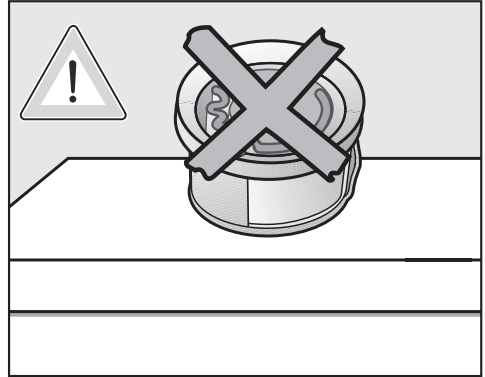
- Turn the outer ring anti-clockwise until markers ① and ② line up.



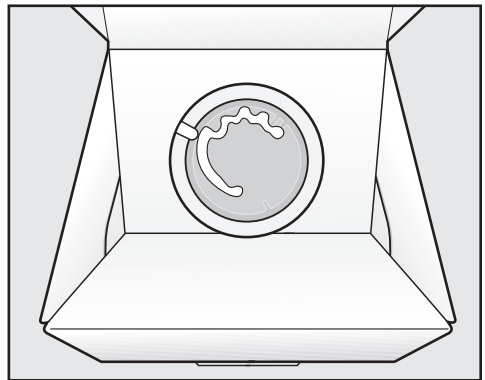
- Replace the fragrance flacon with a new one.

When not in use, you can store the fragrance flacon in its original packaging.

Fragrance flacons are available to order from Miele or online at [www.miele-shop.com](http://www.miele-shop.com).



Fragrance can leak.  
Do not lay the fragrance flacon down.



- If you are keeping the fragrance flacon in its original packaging, do not store the packaging upright on its edge or upside down. Otherwise, the fragrance will leak out.
- Always store in a cool, dry place away from direct sunlight.
- When purchasing new fragrance flacons, only remove the protective seal just before use.


# Cleaning and care

## Observing cleaning intervals

This tumble dryer is equipped with a multi-stage filter system, which consists of fluff filters and a filter in the plinth.


This filter system collects all fluff generated during the drying process.

Failure to clean the filters regularly could increase drying times.

 Fire hazard due to irregular maintenance.

Too many fluff deposits in the filter system and tumble dryer pose a fire hazard.

Check the filter system and the air flow openings on a regular basis. Clean the filters if you find any fluff deposits.

 Damage caused by a missing or damaged filter system.

Too many fluff deposits in the filter system and tumble dryer will increase the risk of appliance malfunctions and cause a fire hazard. Never use the tumble dryer without the filter system. Always replace a damaged filter system immediately.

## Cleaning the filters

This tumble dryer has 2 fluff filters in the door opening: The upper and lower fluff filters trap fluff produced during the drying process.

Clean the fluff filters after each drying programme. This prevents an extension of the programme duration.

Also clean the fluff filters when the  indicator light comes on.

To turn the  indicator light off:

- Open and close the door while the dryer is switched on.

## Removing the fragrance flacon

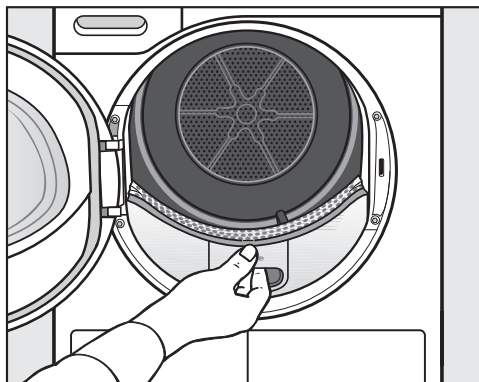
The intensity of the fragrance will be diminished if the fluff filters and the plinth filter are not cleaned.

- Remove the fragrance flacon. See “Fragrance flacon - Removing/replacing the fragrance flacon”.

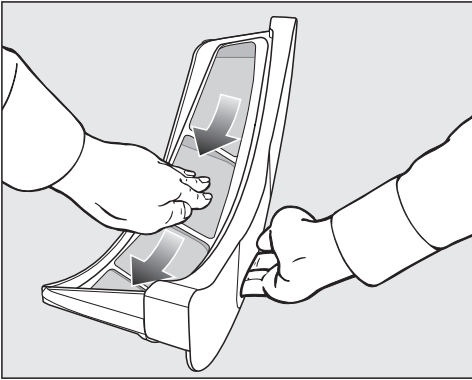
## Removing visible fluff

**Useful tip:** You can also use a vacuum cleaner so that you can remove the fluff without touching it.

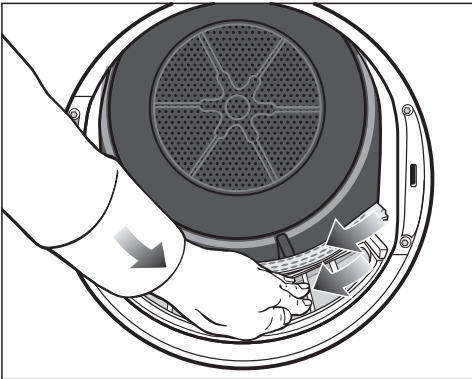
- Open the door.



- Pull the upper fluff filter forward to remove it.



- Remove the fluff (see arrows).

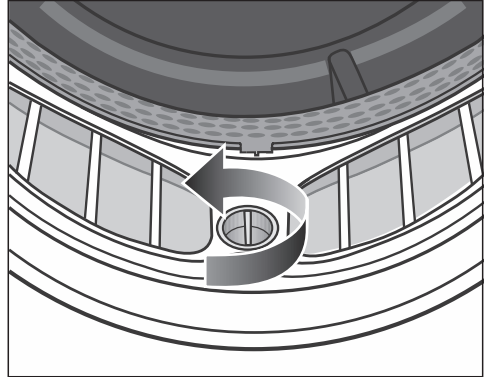


- Remove the fluff (see arrows) from the filter surface of all the fluff filters and the perforated laundry deflector.
- Push the upper fluff filter back in until it clicks into position.
- Close the door.

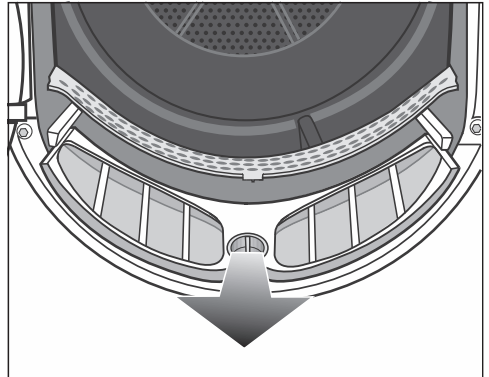
## Cleaning the fluff filters and air flow openings thoroughly

If the drying duration has become longer or the surface of the filters is visibly compacted with fluff, you should carry out the following cleaning procedure.

- Remove the fragrance flacon. See “Fragrance flacon”.
- Pull the upper fluff filter forward to remove it.

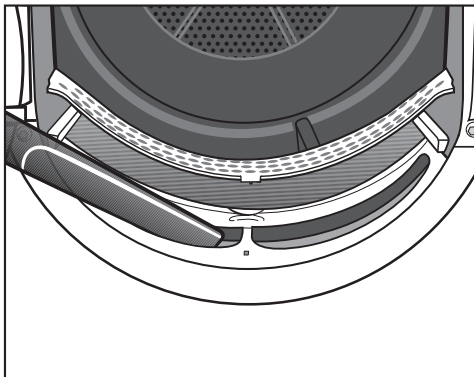


- Turn the yellow dial on the lower fluff filter in the direction of the arrow (until you hear it click).



- Hold the dial and pull the fluff filter forwards to remove it.

## Cleaning and care



- Use a vacuum cleaner with a long crevice nozzle attached to remove any visible fluff from the upper air flow openings.

Finally, clean the fluff filters with water.

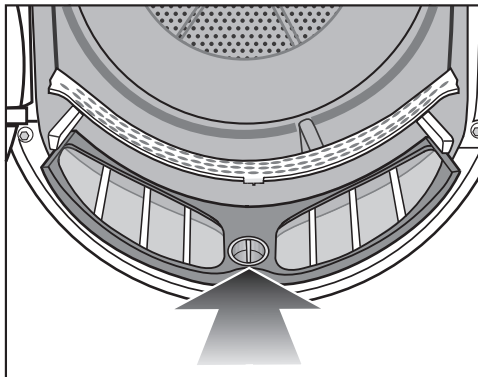
### Cleaning the fluff filters with water

- Rinse the filters with warm running water.
- Wipe the smooth plastic surfaces of the fluff filters with a damp cloth to clean them.

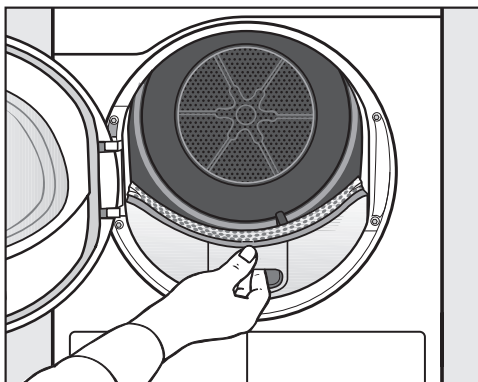
Problems during drying due to wet fluff filters.

The tumble dryer may exhibit malfunctions.

Shake the fluff filters thoroughly and then dry them carefully.




- Push the lower fluff filter in completely and lock it with the yellow dial.



- Push the upper fluff filter in completely.
- Close the door.

### **Cleaning the plinth filter**


Clean the plinth filter whenever the  indicator light comes on or when the programme duration is longer than usual.

To turn the  indicator light off:


- Open and close the door while the dryer is switched on.



## Useful tip:

With normal use of the tumble dryer, clean the plinth filter when the  indicator light comes on.

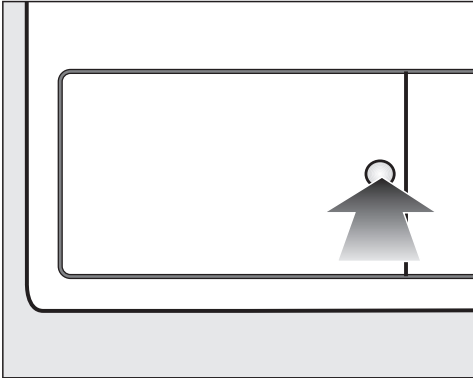
With continuous use of the tumble dryer, clean the plinth filter once a day.

 Damage caused by insufficient cleaning or by operation with a worn, damaged filter in the plinth.

There is insufficient flow of air and heat exchange in the heat exchanger, as it is clogged. This requires a visit from Miele Professional Service.

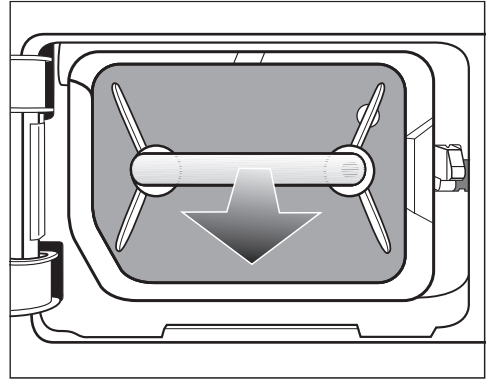
This can be avoided by following the advice in these operating instructions.

## Removing the plinth filter



- Press the round, indented area on the heat exchanger access panel to open it.

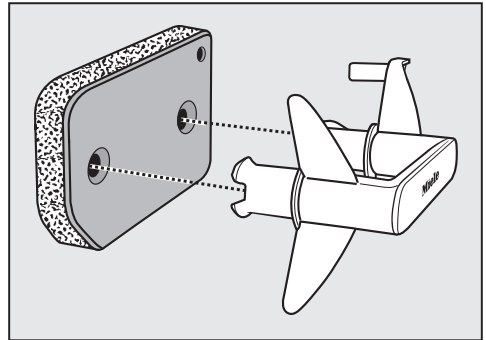
The panel will spring open.



- Pull the plinth filter out by the handle.

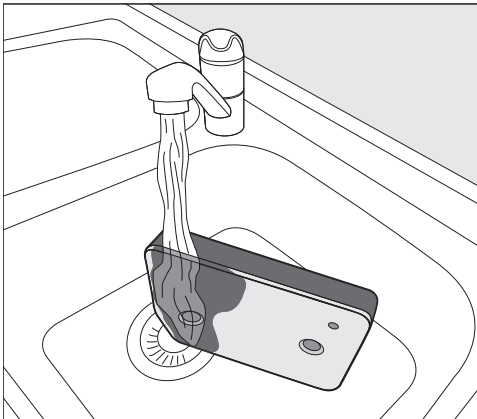
This causes the right-hand guide pin in the tumble dryer to come out. This guide pin ensures that the heat exchanger access panel can only be closed if the plinth filter is inserted the right way round.

## Cleaning the plinth filter



- Pull the handle out of the plinth filter.
- Clean the filter gently and thoroughly under running water.

## Cleaning and care



**Useful tip:** In order to loosen any residues from the surface of the plinth filter, hold it upright and run the front of it under water.

- Squeeze the plinth filter carefully several times as you rinse it.
- Rinse and wash the entire plinth filter until all visible residues have been removed.
- Gently squeeze out the plinth filter until no more water comes out.

**Useful tip:** To absorb water, place the damp plinth filter between two towels. On a flat surface, repeatedly press down gently on the filter with a flat hand. This will help the plinth filter to dry faster.

A fault may occur.  
The plinth filter must not be refitted dripping wet.

If a drying programme is interrupted with a fault message after the clean plinth filter has been fitted, the plinth filter was too wet when it was fitted. Gently squeeze the water out of the plinth filter again. Leave the plinth filter to air-dry.

If a fault occurs again despite this, it may be caused by stubborn residue from washing substances. Reactivate the plinth filter in the washing machine. See “Problem solving guide – Reactivating the plinth filter”.

**⚠** Damage caused by an insufficiently cleaned or damaged plinth filter.

If the plinth filter has not been properly cleaned or is damaged, the heat exchanger will become clogged. There will be an insufficient flow of air and heat in the heat exchanger. This will require a visit from a Miele technician.

Before and after cleaning, check the plinth filter in accordance with the description in “Replacing the plinth filter”. The plinth filter must be perfectly functional and undamaged after cleaning.

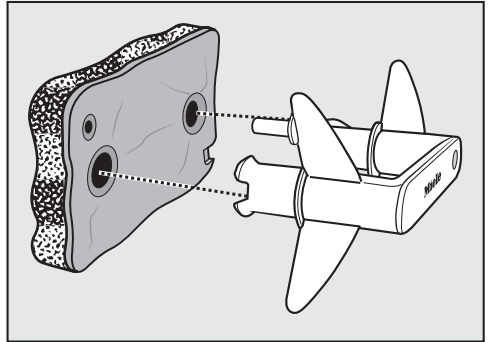
- Use a damp cloth to remove any fluff from the handle.

## Replacing the plinth filter

⚠ Filter wear caused by continuous tumble dryer use.

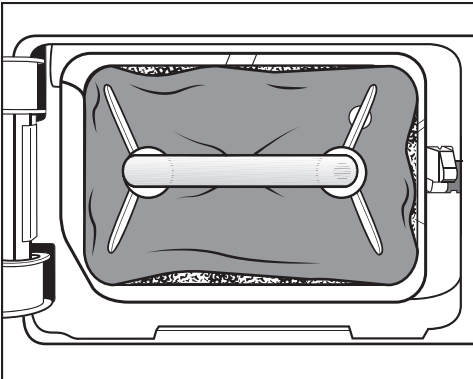
If the tumble dryer is in continuous use and is being cleaned frequently, the plinth filter can begin to show signs of wear after a while. This can clog up the heat exchanger.

Replace the filter immediately (replacement filters are available as an optional accessory) if you see the following signs of wear before or after cleaning.



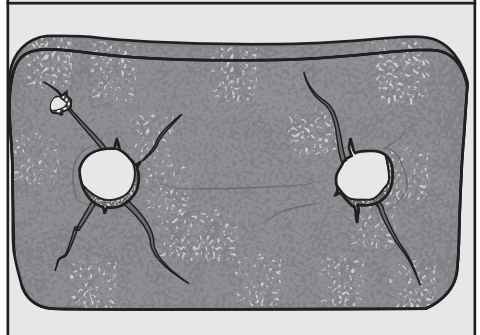
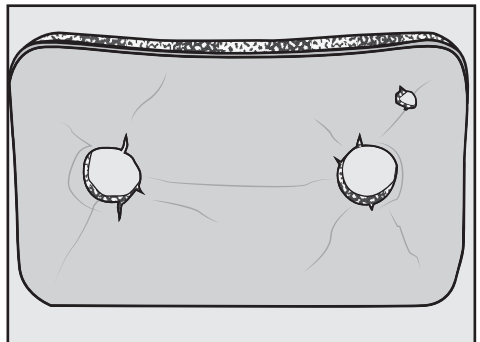
Deformations indicate that the filter has become blocked and worn by continuous use.

### Poor fit



The edges of the filter do not sit properly and the filter is deformed. Fluff will blow into the heat exchanger unfiltered through edges that do not sit properly. This will eventually cause obstruction in the heat exchanger.

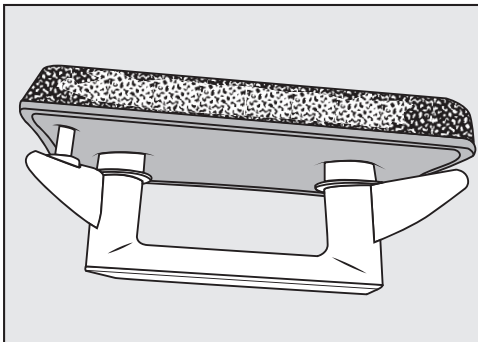
### Deformations



Fluff will blow into the heat exchanger unfiltered through cracks and tears and will cause obstruction.

### White residues or residues of other colours

## Cleaning and care

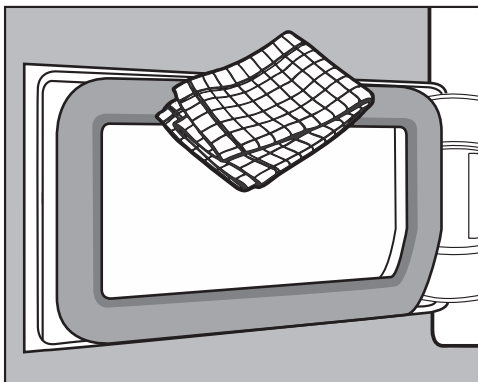


Residues arise from laundry fibres and residues of detergent components which can clog the filter. They can be found on the front and side edges of the filter. In extreme cases, they can form stubborn crusts.

Residues are a sign that the filter no longer has a snug fit at the sides, even if it appears to be perfect – fluff is getting in unfiltered at the edges.

If these residues appear on the filter again soon after cleaning, it must be replaced.

### Cleaning the plinth filter panel



- Use a damp cloth to remove any fluff. Take care not to damage the rubber seal.
- Check whether the cooling fins are blocked with fluff (as follows).

### Checking the heat exchanger

⚠ Risk of injury from sharp cooling fins.

You could cut yourself.

Do not touch the cooling fins.

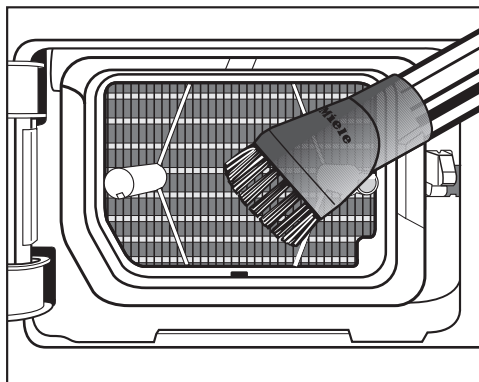
- Look to see if fluff has accumulated.

If you notice any visible soiling:

⚠ Damage due to incorrect cleaning of the heat exchanger.

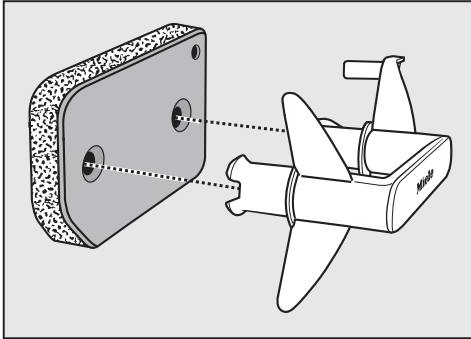
The tumble dryer will not dry if the cooling fins are damaged or bent.

Clean using a vacuum cleaner with a dusting brush attached. Only pass the vacuum cleaner dusting brush over the fins lightly, without applying any pressure.



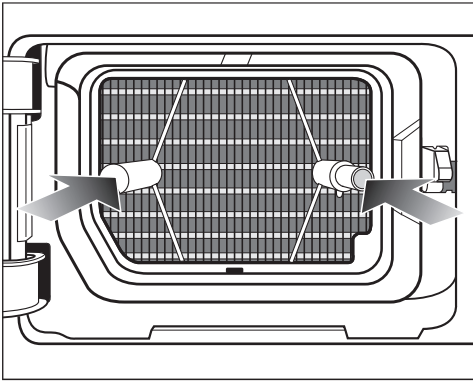
- Carefully vacuum up any visible fluff or dirt.

## Inserting the plinth filter



- Fit the plinth filter back on the handle the right way round.


To ensure that the filter is positioned correctly in the front of the heat exchanger unit:



- Insert the handle with the plinth filter facing the right way onto the two guide pins.
  - The word Miele on the handle must be the correct way up.
- Push the plinth filter in completely.

Insert the right guide pin at the same time.

- Close the heat exchanger access panel.

 Damage or ineffective drying when drying without a plinth filter or with the heat exchanger panel open. An excessive accumulation of fluff can damage the dryer in the long term. If the system is not leak-proof, this can lead to ineffective drying. You may only operate the dryer with the plinth filter fitted correctly and the heat exchanger access panel closed.

## Regenerating the plinth filter

You can regenerate one or more dirty plinth filters in the washing machine. In this way, a plinth filter can be used again for a reasonable period of time.

- Wash one or more plinth filters separately without garments. Do not add laundry detergent.

**Useful tip:** Select a short wash programme with a maximum temperature of 40°C and a maximum spin speed of 600 rpm.

- Select, for example, the *Separate rinse* programme.

After washing and spinning, you can refit the plinth filter. You can continue to use a regenerated plinth filter as long as there are no signs of wear.

You must stop using the plinth filter if it shows signs of wear or deformation.

See the information in "Cleaning and care - Replacing the plinth filter".

## Cleaning the dryer

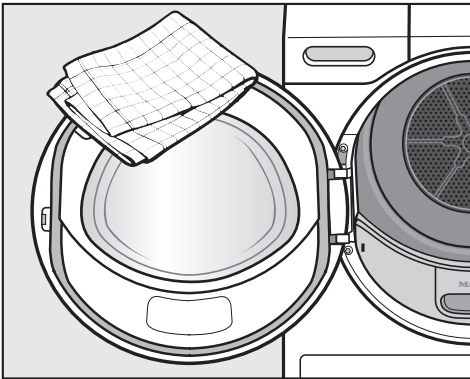
Disconnect the dryer from the electricity supply.

## Cleaning and care

---

**⚠** Damage due to the use of unsuitable care products. Unsuitable care products can damage plastic surfaces and other parts. Do not use solvents, abrasive cleaners, glass cleaners or all-purpose cleaners.

**⚠** Risk of electric shock due to water. If water runs over or into the tumble dryer, there is a risk of electric shock. Never spray the tumble dryer with water. Only ever clean the appliance with a slightly damp, soft cloth.









- Clean the dryer and the seal on the inside of the door only with a slightly damp, soft cloth and mild detergent or soapy water.
- Dry all parts with a soft cloth.
- The drum and other stainless steel parts can be cleaned with a suitable stainless steel cleaner following the manufacturer's instructions.

Many malfunctions and minor faults that can occur in daily operation can be corrected without contacting Miele. This will save you time and money because you will not need a service call.


You can find information on how to remedy faults yourself at [www.miele.com.au/service](http://www.miele.com.au/service) or [www.miele.co.nz/service](http://www.miele.co.nz/service) and on the Miele website.

Please note, however, that a call-out charge will be applied to unnecessary service visits where the problem could have been rectified as described in these operating instructions.

## Indicator lights or information in the time display

Problem	Possible cause and remedy
The  indicator light lights up at the end of the programme.	<p>The fluff filters are clogged with fluff.</p> <ul style="list-style-type: none"> <li>■ Clean the fluff filters.</li> <li>■ Clean the plinth filter.</li> <li>■ See "Cleaning and care".</li> </ul> <p>To switch the  indicator light off:</p> <ul style="list-style-type: none"> <li>■ Open and close the door (with the dryer switched on).</li> </ul> <p>You can influence when the  indicator lights up: see "Programmable functions - Airways indicator P20".</p>
 lights up after a programme has been cancelled and a signal tone sounds.	<p>The drain hose is kinked.</p> <ul style="list-style-type: none"> <li>■ Check the drain hose.</li> </ul> <p>To switch the  indicator light off:</p> <ul style="list-style-type: none"> <li>■ Open and close the door (with the dryer switched on).</li> </ul>
-0- lights up.	<p>The programme selector has been moved.</p> <ul style="list-style-type: none"> <li>■ Select the original programme again. The time remaining will appear in the display.</li> </ul>
Bars flash in the display at the end of a programme: 	<p>The programme has finished but the laundry has not yet cooled down.</p> <ul style="list-style-type: none"> <li>■ Either remove the laundry and spread it out to cool down or leave it in the tumble dryer to cool down during the cooling phase.</li> </ul>

## Problem solving guide

Problem	Possible cause and remedy
<p>--- flashes/lights up after the tumble dryer is switched on and a programme cannot be selected.</p>	<p>Access via a code has been activated.</p> <ul style="list-style-type: none"> <li>■ See "Programmable functions - P07 PIN Code".</li> </ul>
<p><i>F</i> and <i>066</i> flash after a programme has been cancelled. A buzzer sounds. The  indicator light comes on.</p>	<p>The fluff filters and the plinth filter are clogged with fluff.</p> <ul style="list-style-type: none"> <li>■ Clean the fluff filters.</li> <li>■ Clean the plinth filter.</li> <li>■ Clean the airways. This is the area underneath the plinth filter and the heat exchanger.</li> <li>■ See "Cleaning and care".</li> </ul> <p>To switch the <i>F 066</i> fault message off:</p> <ul style="list-style-type: none"> <li>■ Switch the dryer off and back on.</li> </ul>
<p><i>F</i> and another number combination flash after a programme has been cancelled, a signal tone sounds.</p>	<p>There is no obvious cause.</p> <ul style="list-style-type: none"> <li>■ Switch the dryer off and back on.</li> <li>■ Start a programme.</li> </ul> <p>If the programme terminates again with the same error message, then there is a fault. Contact Miele.</p>
<p><i>0:00</i> lights up and the programme has been cancelled, a signal tone sounds.</p>	<p>The laundry is unevenly distributed or has rolled up.</p> <ul style="list-style-type: none"> <li>■ Disentangle the laundry and remove a few items, if necessary.</li> <li>■ Switch the dryer off and back on.</li> <li>■ Start a programme.</li> </ul>
<p><i>no</i> lights up</p>	<p>This is not a fault. The tumble dryer is not connected to the network. See "Programmable functions".</p>
<p><i>OFF</i> lights up</p>	<p>This is not a fault. The remote control function is switched off. See "Programmable functions".</p>
<p><i>Con</i> lights up</p>	<p>This is not a fault. The tumble dryer is connected to the network.</p>
<p><i>Clr</i> lights up</p>	<p>This is not a fault. The tumble dryer is connected to the network.</p>
<p><i>UP</i> lights up and programme start is not possible.</p>	<p>An update is available for the tumble dryer. See "Programmable functions – P24 RemoteUpdate" for more information.</p>



### Unsatisfactory drying result

Problem	Possible cause and remedy
<b>The laundry is not sufficiently dry.</b>	<p>The load consisted of different types of fabric.</p> <ul style="list-style-type: none"> <li>■ Finish drying using the <i>Warm air</i> programme.</li> <li>■ Select a more suitable programme next time.</li> </ul> <p>Useful tip: You can alter the drying levels for some programmes. See "Programmable functions", sections "<i>P01</i> Cottons drying levels", "<i>P02</i> Minimum iron drying levels".</p>
<b>Laundry or feather filled pillows smell after drying.</b>	<p>The laundry was washed with insufficient detergent. Feathers are a natural product and may develop odours when exposed to heat.</p> <ul style="list-style-type: none"> <li>■ Laundry: Wash with sufficient detergent next time.</li> <li>■ Pillows: Take out of the tumble dryer and aerate.</li> </ul>
<b>Items made of synthetic fibres are charged with static electricity after drying.</b>	<p>Synthetic fibres tend to attract static charge.</p> <ul style="list-style-type: none"> <li>■ Static charge can be reduced by adding fabric softener to the final rinse in the washing programme.</li> </ul>
<b>Fluff is caused by tumble drying.</b>	<p>Fluff is principally the result of friction when garments are being worn and to some extent when they are being washed. Tumble drying hardly causes any fluff to form.</p> <p>Fluff is collected by the fluff filters and fine filters and can easily be removed.</p> <ul style="list-style-type: none"> <li>■ See "Cleaning and care".</li> </ul>

## Problem solving guide

---

### The drying process takes a long time.

Problem	Possible cause and remedy
<b>The drying process goes on for too long or even switches off.*</b>	The room in which the tumble dryer is located is too warm. ■ Ventilate the room thoroughly.
	Detergent residues, hair and fine fluff can clog the filters. ■ Clean the fluff filters and the plinth filter (see "Cleaning and care - Cleaning the fluff filters" and "Cleaning the plinth filter"). ■ Remove any visible fluff from the heat exchanger (see "Cleaning and care - Cleaning the plinth filter").
	The laundry is unevenly distributed or has rolled up. The tumble dryer has been overloaded. ■ Untangle the laundry and remove a few items, if necessary. ■ Start a programme.
	The cool air intake (bottom right grille) is blocked. ■ Move any objects, such as a laundry basket, away from the dryer.
	The fluff filters and the plinth filter were wet when replaced. ■ The fluff filters and the plinth filter must be dry.
	The laundry is too damp. ■ Spin the laundry using a higher spin speed in the washing machine.
	Metallic components, e.g. zippers, have prevented the dryer from registering the correct moisture level. ■ Open the zippers next time. ■ If the problem reoccurs, dry these items using the <i>Warm air</i> timed drying programme.

\* Switch the tumble dryer off and on again after a short waiting period before starting a new programme.

## Other problems

Problem	Possible cause and remedy
<b>You can hear buzzing or humming operating noises.</b>	This is not a fault. These noises are normal and caused by the operation of the compressor (heat pump).
<b>A programme cannot be started.</b>	There is no obvious cause. <ul style="list-style-type: none"> <li>■ Connect the tumble dryer to the mains power.</li> <li>■ Switch the tumble dryer on.</li> <li>■ Close the tumble dryer door.</li> <li>■ Check if the mains circuit breaker has tripped.</li> </ul>
<b>Only the <i>Start/Add laundry</i> sensor is flashing slowly.</b>	10 minutes after the end of the programme, the <i>Start/Add laundry</i> sensor will begin to flash and the indicators will go out to save energy. This is not a fault, but a normal function.  The drum will turn at intervals in the Anti-crease phase. <ul style="list-style-type: none"> <li>■ Touch a sensor to switch on the indicators.</li> </ul> See "Programmable functions - // Control panel switch-off status".
<b>The dryer is switched off at the end of the programme.</b>	The dryer switches off automatically to save energy. This is not a fault, but a normal function. <ul style="list-style-type: none"> <li>■ To switch the dryer on, select a programme.</li> </ul>
<b>The interior drum lighting does not come on.</b>	To save energy, the drum lighting goes out automatically after a set time and after the programme starts. <ul style="list-style-type: none"> <li>■ Switch the tumble dryer off and then on again.</li> <li>■ To switch the drum lighting on, open the door of the tumble dryer.</li> </ul>
	The drum lighting is faulty. The drum lighting is designed to last a long time and should not normally need to be replaced. <ul style="list-style-type: none"> <li>■ If you have tried everything but the drum lighting still does not come on, contact the Miele Professional Service Department.</li> </ul>

# Service

---

## Contact in case of fault

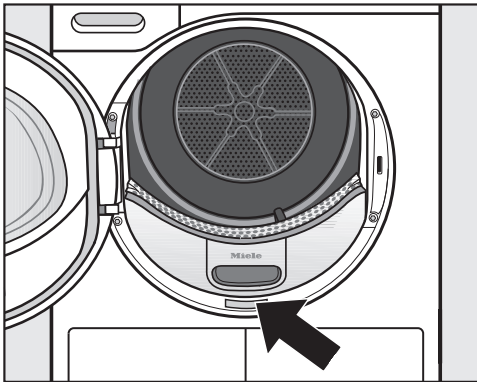
In the event of any faults which you cannot remedy yourself, please contact Miele.

You can book a Miele customer service call-out online at [www.miele.com.au/service](http://www.miele.com.au/service) or [www.miele.co.nz/service](http://www.miele.co.nz/service).

Contact information for Miele can be found at the end of this booklet.

Please quote the model and serial number of your appliance when contacting Miele. This information can be found on the data plate.

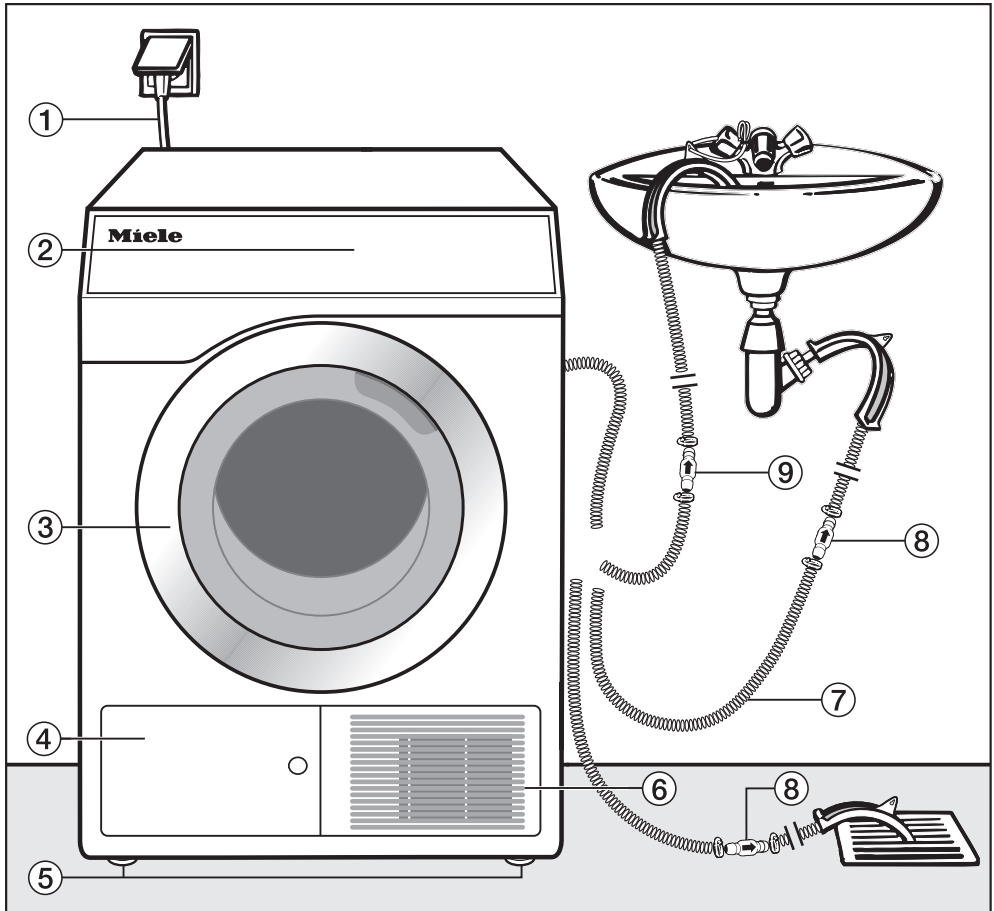
You can see the data plate when you open the door of your tumble dryer:



## Optional accessories

Optional accessories for this tumble dryer are available from Miele (see contact details at the back of these instructions).

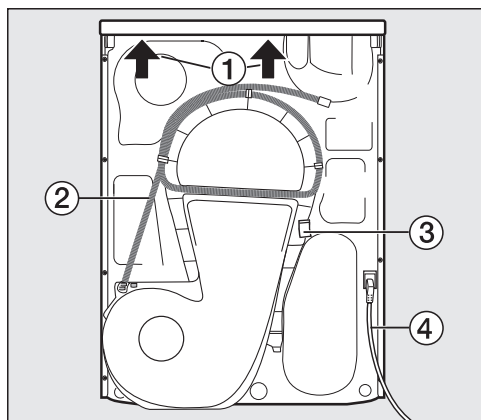
## Front view



- ① Mains connection cable
- ② Control panel
- ③ Door
- ④ Fluff filter flap for the filter in the plinth
  - do not open during drying
- ⑤ 4 height-adjustable screw feet
- ⑥ Intake for air cooling
  - do not obstruct with a laundry basket or other objects
- ⑦ Drain hose for condensed water
- ⑧ Non-return valve, required
- ⑨ Non-return valve, recommended

# Installation

## Rear view

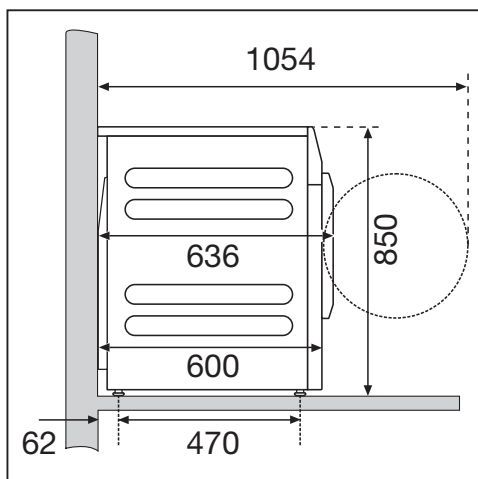


- ① Protruding lid for holding when moving the tumble dryer (see arrows)
- ② Drain hose for condensed water
- ③ Hook for winding up the mains cable during transport
- ④ Mains connection cable

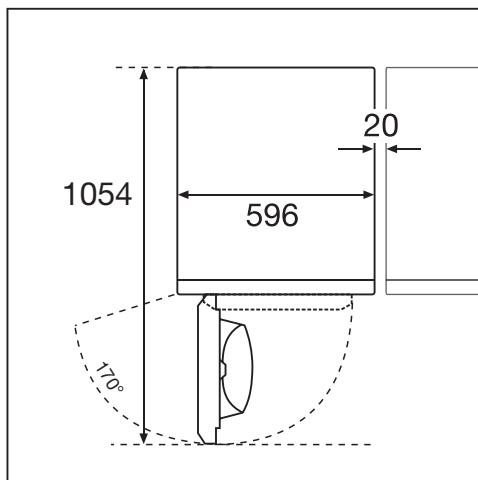
## Installation locations

All measurements in mm

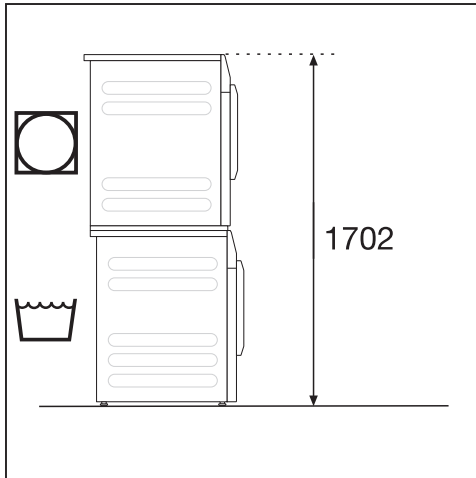
## Side view



## View from above



## Washer-dryer stack




A stacking kit\* is required. This must be fitted by a Miele authorised service technician.

The distance between the appliance and the wall is a recommendation to help make it easier to carry out service work.

\* Miele accessory available to order

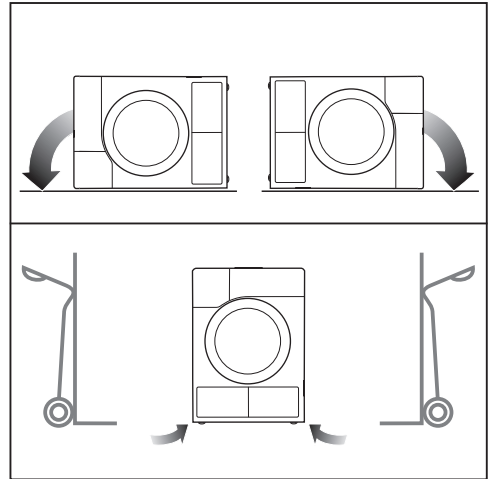
## Transporting the dryer to its installation site

 Risk of damage from incorrect transport.

If the tumble dryer tips over, there is a danger of injury to people and damage to property.


Ensure that the tumble dryer is stable during transportation.

## Transporting the tumble dryer



- If the tumble dryer is being transported horizontally, it must only be tipped onto its left or right side.
- If the tumble dryer is being transported upright and you are using a handcart or trolley, you must only transport it with its left or right side resting on the handcart or trolley.

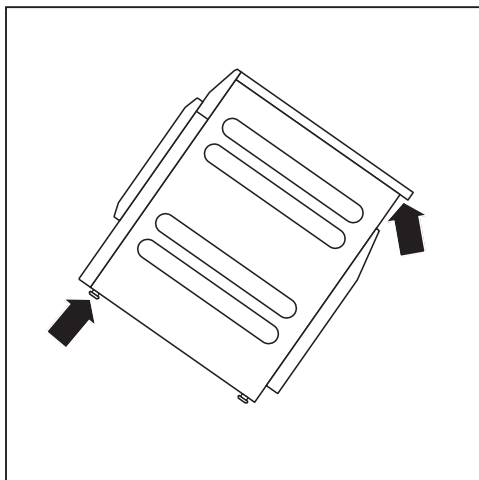
## Transporting the tumble dryer to its installation site

 Danger of injury due to unsecured lid.

The rear attachment of the lid may become brittle due to external circumstances. There is a danger of the lid being pulled off when carrying the appliance.

Before carrying the appliance, check that the lid is secure where it protrudes at the back.

# Installation



- Carry the tumble dryer by the front feet and by the lid where it protrudes at the back of the appliance.

## Installation

Ensure that no lockable door, sliding door or a door hinged in the opposite direction is installed in the pivoting range of the dryer door.



⚠ Risk of fire and explosion due to damage to the tumble dryer.

The refrigerant is flammable and explosive.

Do not make any alterations to the tumble dryer. Take measures to protect the tumble dryer against damage.

If the tumble dryer is damaged, proceed as follows:

- Avoid naked flames or anything which creates a spark.

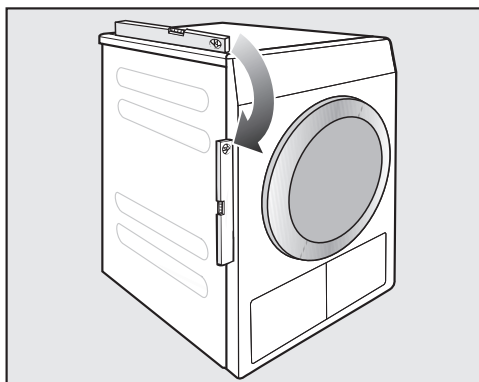
- Disconnect the dryer from the electricity supply.
- Air the room where the tumble dryer is located.
- Contact Miele Customer Service.

## Downtime after installation

⚠ Damage caused by switching the appliance on too soon.

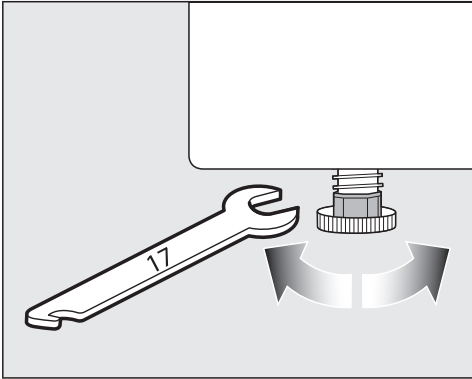
This can damage the heat pump. After setting up the tumble dryer, wait for at least one hour before switching it on.

## Levelling the tumble dryer



To ensure proper operation, the tumble dryer must stand perfectly level. The screw feet on the tumble dryer can be adjusted to compensate for unevenness in the floor.





- Turn the screw feet by hand or with a flat open spanner.

This tumble dryer is not suitable for building under.

Never block the ventilation slots on the tumble dryer. Do not block the gap between the bottom of the tumble dryer and the floor with plinth boards, deep pile carpet etc. This would hinder a sufficient flow of air to the tumble dryer.

The heat pump that is essential to the operation of this tumble dryer generates a great deal of heat inside its casing. There must be a reliable means of dissipating this heat. Otherwise loads could take longer to dry and the tumble dryer might sustain damage in the long term. Permanent room ventilation during every drying programme and the gap between the bottom of the tumble dryer and the floor are mandatory requirements at all times.

### Room ventilation

- Air drawn in for use in the drying process will be warm when it is expelled back into the room by the tumble dryer. You must therefore ensure that the room is sufficiently ventilated, particularly if the appliance is located in a small room.
- Make sure that the room temperature is not too high. If there are other heat producing appliances in the room in which the dryer is located, make sure the room is well ventilated and switch the other appliances off, if possible.

Otherwise running times and energy consumption could be increased.

# Installation

## Drain hose for condensed water

The condensed water is pumped away through the drain hose which is located at the back of the dryer.

### Arranging the drain hose

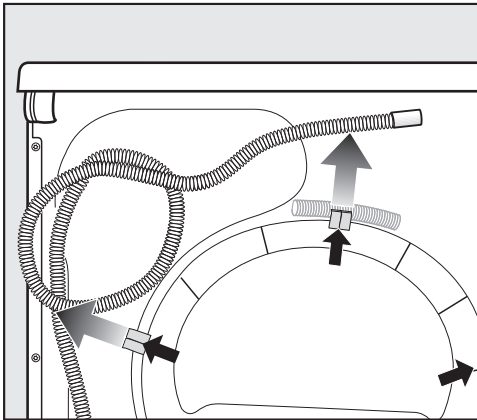
**⚠** Risk of damage to the drain hose due to improper use.

The drain hose can be damaged and may leak.

Do not pull on the drain hose and do not stretch it or allow it to become kinked.

**Useful tip:** Use the bow-shaped guide to prevent the drain hose from becoming kinked.

Drain hose length: 1400 mm  
Delivery head: 1000 mm



■ Pull the drain hose out of the clips.

## Drain hose connection options

**Useful tip:** Follow the warnings regarding leakage or backflow of water when selecting one of the following connection options.

- Directed into a laundry tub or trough
- Connected securely to a floor drain (gully)
- Connected directly to a laundry tub or trough drain outlet
- Connection to a drainage system already in use by another appliance, e.g. a dishwasher or washing machine

**⚠** Risk of water damage.

Should the end of the hose come loose, overflowing water can cause damage.

Secure the drain hose carefully (e.g. by tying it) to make sure it cannot slip.

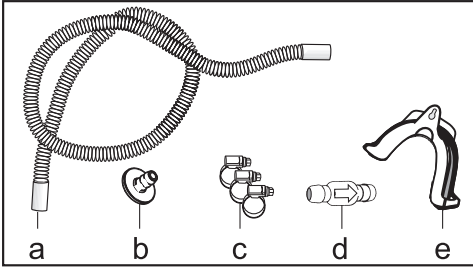
**⚠** Danger of condensed water backflow.

Water could flow back into the tumble dryer or be drawn into it. The tumble dryer will sustain damage and water will leak out.

The non-return valve should be used if the end of the hose is immersed in water or mounted onto other water-bearing connections.

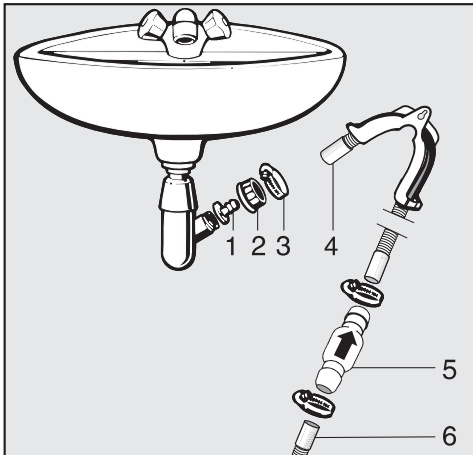
A non-return valve kit is available as an optional accessory for external condensed water connections.

## Drainage accessories, supplied



- a. Hose extension
- b. Adapter
- c. Hose clips
- d. Non-return valve
- e. Hose holder

## Example: Connected directly to a laundry tub or trough drain outlet



- 1. Adapter
- 2. Washbasin nut
- 3. Hose clip
- 4. Hose extension
- 5. Non-return valve and hose clips
- 6. Tumble dryer drain hose

- Fit the adapter **1** to the drain outlet using the nut **2**.  
If this nut has a spacer you should take the spacer out first.
- Attach the end of the hose **4** to the adapter **1**.
- Use a screwdriver to tighten the hose clip **3** up close to the nut.
- Fit the non-return valve **5** to the tumble dryer drain hose **6**.

The non-return valve **5** has to be fitted so that the arrow points in the direction of flow (i.e. towards the laundry tub).

- Secure the non-return valve using the hose clips.


# Installation

## Electrical connection

This description applies to tumble dryers both with and without a mains plug.

The following applies to tumble dryers with a mains plug:

- This tumble dryer is supplied with a mains cable with moulded plug.
- The electrical socket must be easily accessible so that the tumble dryer can be disconnected from the electricity supply.

 Damage caused by incorrect supply voltage.

The data plate indicates the nominal power consumption and the appropriate fuse rating.

Compare the specifications on the data plate with those of the mains electricity supply.

The dryer must only be connected to a permanent electrical system that conforms to the national and local codes and regulations.

Do not connect the machine via an extension lead or power board. They do not guarantee the required safety of the appliance (e.g. danger of overheating and fire).

If the appliance is hard wired, an all-pole disconnection must be provided on site. The means of disconnection must be incorporated in the fixed wiring in accordance with the wiring rules. When switched off, there must be an all-pole contact gap of at least 3 mm in the isolator switch (including circuit breakers, fuses, and relays according to AS/NZS 3000). This connection must be carried out by a qualified and competent electrician.

The plug connector or isolator switch should be easily accessible at all times.

 Risk of electric shock!

If the dryer is disconnected from the power supply, protective measures must be taken to ensure that the point of disconnection cannot accidentally be switched on again.

Make sure the isolator is lockable or the point of disconnection is monitored at all times.

New connections, modifications to the system, or servicing of the protective conductor, including determining the correct fuse rating, must be carried out by a qualified and competent electrician, as they are familiar with the pertinent regulations and the specific requirements of the electrical utility company.

The dryer must not be connected to devices such as timers which would switch it off automatically.

## Technical data

Height	850 mm
Width	596 mm
Width (for appliances with a stainless steel lid)	605 mm
Depth	636 mm
Depth with door open	1054 mm
Weight	62 kg
Drum volume	120 l
Load capacity	8 kg (weight of dry laundry)
Hose length	1400 mm
Length of mains connection cable	2000 mm
Supply voltage	See data plate on back of machine
Rated load	See data plate on back of machine
Fuse rating	See data plate on back of machine
Test certifications awarded	See data plate on back of machine
LEDs	Class 1
Designation of refrigerant	See data plate on back of machine
Refrigerant quantity	See data plate on back of machine
Max. floor load during operation	925 N
Product safety standard	AS/NZS 60335
A-rated sound emissions $L_{pA}$ in accordance with EN ISO 11204/11203	<70 dB re 20 $\mu$ Pa
Frequency band	2.4000 GHz – 2.4835 GHz
Maximum transmission power	< 100 mW

Miele hereby declares that this heat-pump tumble dryer complies with Directive 2014/53/EU.

# Consumption data

	Load size <sup>1</sup>	Final spin speed in washing machine	Residual moisture	Energy	Duration
	kg	rpm	%	kWh	min
ECO	8.0	1000	60	1.32	165
	4.0	1000	60	0.75	100
Cottons, Cupboard Dry	8.0	1200	53	1.20	149
	8.0	1400	50	1.15	142
	8.0	1600	44	1.00	126
Cottons, Hand iron	8.0	1000	60	0.99	125
	8.0	1200	53	0.85	109
	8.0	1400	50	0.80	102
	8.0	1600	44	0.70	87
Minimum iron, Cupboard Dry	4.0	1200	40	0.45	66
Woollens handcare	2.0	1000	50	0.02	5
Express, Cupboard Dry	4.0	1000	60	0.75	100
<sup>1</sup> Weight of dry laundry					
All data was calculated using EN 61121 unless otherwise stated					

**Consumption data can vary from the nominal values given above depending on the size of the load, types of textiles, residual moisture levels after spinning and fluctuations in the electricity supply, or when water hardness levels and Extras differ from specified values.**

## Programming

You can use the programmable functions to alter the dryer's electronics to suit your requirements.

Programming is carried out by following these steps (1, 2, 3 ... 9) using the sensors.

### Accessing the programming level

Before you begin, ensure the following:

- The programme selector is turned to a drying programme.
- The door of the tumble dryer is open.

- 1 Touch the *Start/Add laundry* sensor and hold it down whilst carrying out steps 2–3.
- 2 Close the tumble dryer door.
- 3 Wait until the *Start/Add laundry* sensor, which will now be flashing quickly, lights up constantly.
- 4 Then release the *Start/Add laundry* sensor control.

*P01* will light up in the time display.

### Choosing and selecting programmable functions

The number of the programmable function will appear in the display as *P* and a number: e.g. *P01*.

- 5 Touch the > or < sensor to scroll to the next or previous programmable function:

Programmable functions	
<i>P00</i>	Factory default setting
<i>P01</i>	Cottons drying levels
<i>P02</i>	Minimum iron drying levels
<i>P04</i>	Cooling down temperature
<i>P05</i>	Buzzer volume
<i>P06</i>	Keypad tone
<i>P07</i>	PIN code
<i>P08</i>	Conductivity
<i>P11</i>	Display switch-off status
<i>P13</i>	Memory
<i>P14</i>	Anti-crease
<i>P19</i>	Buzzer is active
<i>P20</i>	Airways indicator
<i>P22</i>	Backlight brightness dimmed
<i>P24</i> *	RemoteUpdate
<i>P25</i>	Duration of programme end buzzer
<i>P26</i>	Welcome tone
<i>P31</i> *	Remote control
<i>P32</i> *	SmartGrid
<i>P90</i>	Operating hours

\* only visible after networking

- 6 Confirm the selected programmable function by touching the *Start/Add laundry* sensor.

# Programmable functions

## Editing and saving the programmable function

You can switch a programmable function on or off or select different options.

The programmable function option will appear in the time display as - and a number: e.g. -00.

- 7 Touch the > or < sensor to switch the programmable function on/off or to select an option:


Programmable functions	Options							
	-00	-01	-02	-03	-04	-05	-06	-07
P00	X	X						
P01		X	X	X	✓	X	X	X
P02		X	X	X	✓	X	X	X
P04		X	X	X	X	up to -16✓		
P05		X	✓					
P06	X	✓	X					
P07	✓	X						
P08		✓	X					
P11	X	✓						
P13	✓	X						
P14	X	X	✓					
P19	✓	X						
P20	X	X	✓	X				
P22		X	✓	X	X	X	X	X
P24	X	✓						
P25		✓	X					
P26	✓	X	X					
P31	X	✓						
P32	✓	X						

X = can be selected, ✓ = factory default

- 8 Confirm your selection with the *Start/Add laundry* sensor.

The number of the programmable function, e.g. P01, will light up again.

## Exiting the programming level

- 9 Turn the programme selector to the  position.

The settings have been changed. You can alter the settings again at any time.

## P00 Factory default setting

The programmable functions are reset to the factory default settings.

-00 = Back (without resetting)

-01 = Reset programmable functions to the factory default settings

## P01 Cottons drying levels

You can adjust the drying levels for the *Cottons* programme to one of 7 different levels.

### Options

-01 = Even damper

-02 = Damper

-03 = A little damper

-04 = **Factory default setting**

-05 = A little drier

-06 = Drier

-07 = Even drier

## P02 Minimum iron drying levels

You can adjust the drying levels for the *Minimum iron* programme to one of 7 different levels.



# Programmable functions

## Options

- 01 = Even damper
- 02 = Damper
- 03 = A little damper
- 04 = **Factory default setting**
- 05 = A little drier
- 06 = Drier
- 07 = Even drier

## **P04 Cooling down temperature**

The laundry will be cooled to 55 °C before the end of the programme. It can be cooled to a lower temperature, but this will prolong the cooling phase.

The value is set in increments of 1°C.

- 16 = **55°C (factory default setting)**
- 15 = 54°C
- 14 = 53°C
- 13 = 52°C
- 12 = 51°C
- 11 = 50°C
- 10 = 49°C
- 09 = 48°C
- 08 = 47°C
- 07 = 46°C
- 06 = 45°C
- 05 = 44°C
- 04 = 43°C
- 03 = 42°C
- 02 = 41°C
- 01 = 40°C

## **P05 Buzzer volume**

The buzzer volume can be changed.

- 01 = On, quieter
- 02 = **On (factory default setting)**

## **P06 Keypad tone**

The tone that sounds when a sensor is pressed can be changed or switched off.

## Options

- 00 = Off
- 01 = **On (factory default setting)**
- 02 = On, louder

## **P07 PIN code**

The code prevents your machine being used without your knowledge.

When the code has been activated, you have to enter the code after switching the dryer on. Otherwise the dryer cannot be operated.

## Options

- 00 = **Off (factory default setting)**
- 01 = On

If option -01 has been selected, after switching on you will have to enter the code before you can operate the dryer.

## **Using the dryer when the code is activated**

After the dryer is switched on, ... will flash in the time display.

The code is 250 and cannot be altered.

- Touch the > sensor until a 2.. flashes in the first position.

# Programmable functions

- Confirm with the *Start/Add laundry* sensor.
- Enter the two other numbers in the same way.

The tumble dryer is ready for use after *250* has been entered and confirmed.

## *P08* Conductivity

This programmable function should only be altered if the water is so soft that it is likely to cause the electronics which sense residual moisture in the laundry to give false readings.

### Options

- 01 = **Normal (factory default setting)**
- 02 = Low

### Important

The water used for washing the laundry is extremely soft with a conductivity reading (electrical conductivity) of less than 150 µS/cm. To find out the conductivity level of your mains water, contact your local water authority.

Make sure that you only activate -02 for the condition described above. Otherwise, the drying result can be unsatisfactory.

## *P11* Control panel switch-off status

To save energy, the time display and the sensors will go out once the programme has been running for 10 minutes. In this case, the *Start/Add laundry* sensor flashes slowly.

However, there is no switch-off in the event of a fault.

### Options

-00 = **Off**

The time display and the sensors do not go out.

-01 = **On (factory default setting)**

The time display and the sensors will go out once the programme has been running for 10 minutes.

### Switching the display back on

- Touch the *Start/Add laundry* sensor. This will not affect a running programme.

## *P13* Memory

You can set the following: the electronics will save the drying level and any options selected for the current drying programme. It will also save the duration of the *Warm air* programme. The next time the programme is selected, these saved settings will appear in the display.

### Options

- 00 = **Off (factory default setting)**
- 01 = On

## *P14* Anti-crease

After the programme has finished, the drum will continue to rotate at intervals for a max. of 2 hours. This helps prevent creasing if the laundry is not removed immediately after the end of the programme. The duration can be shortened.

### Options

- 00 = No Anti-crease
- 01 = 1 hour
- 02 = **2 hours (factory default setting)**

## P19 Buzzer active


The buzzer sounds to let you know the programme has finished. It can be switched on or off.

The warning tone which sounds when there are fault messages is independent of the buzzer.

### Options




- 00 = **Off (factory default setting)**
- 01 = On

## P20 Airways indicator

Fluff must be removed after every drying programme. The  indicator light will also come on when there is a certain build-up of fluff in the filters. You can decide at what level of build-up of fluff this reminder should be given.

You will have an idea of how often this should be done after a few drying programmes.

### Options

- 00 = Off  
The  indicator light does not light up. However, if there is a very severe blockage in the ducting, the programme will be cancelled and the fault message *F 055* will appear in the display regardless of this option.
- 01 = Heavy  
The  indicator light will come on when there is a heavy build-up of fluff.
- 02 = **Normal (factory default setting)**
- 03 = Light  
The  indicator light will come on when there is only a small build-up of fluff.

## P22 Backlight brightness dimmed

The brightness of the dimmed sensors in the control panel can be set to one of 7 different levels.

The brightness will change as soon as a different setting is chosen.

### Options

- 01 = Darkest level
- 02 = **Factory default setting**
- ...
- 07 = Brightest level

## P25 Duration of programme end buzzer

The buzzer sounds to let you know the programme has finished. You can decide how long the buzzer should sound for.

### Options

# Programmable functions

- 01 = **The buzzer sounds 3 times at the end of the programme. (factory default setting)**
- 02 = The buzzer sounds until the appliance switches off automatically (max. 1 hour).

## P26 Welcome tone

You can decide whether or not a welcome tone is played when the appliance is switched on.

### Options

- 00 = **Off (factory default setting)**
- 01 = On
- 02 = On, slightly louder

## P90 Operating hours

You can read off how many hours the tumble dryer has been in operation for.

The total running time is shown in the time display in single digits. For example, if the tumble dryer has been in operation for 1234 hours, the figure shown in the time display will start with an *H* followed by a *I*, then a *2* and after this a *3* and a *4*. The letter *H* is displayed again after this.




## Networking

The P24, P31 and P32 programmable functions are only displayed if the requirements for using Miele@home have been met (see “Before using for the first time”).

- To network the tumble dryer, read and follow the instructions in “Before using for the first time”.

## Resetting the network configuration

The network configuration should be reset whenever a tumble dryer is being disposed of or sold, or if a used tumble dryer is being put into operation. This is the only way to ensure that all personal data has been removed and, in the case of the latter, the previous owner will no longer be able to access the tumble dryer

- Turn the programme selector to *MobileStart* .
- On will light up in the time display of the tumble dryer.
- Press the  sensor on the tumble dryer and hold the  sensor until the countdown in the time display has finished.

The time display shows: ---.

The network configuration has been deleted. A new connection setup has to be carried out in order to use *Miele@home* again.

## P24 RemoteUpdate

The RemoteUpdate function is used for updating the software in your tumble dryer. If an update is available for your tumble dryer, it will automatically download it. Updates will not be installed automatically. They must be initiated manually.

If you do not install an update, you can continue to use your tumble dryer in the usual way. However, Miele recommends installing updates.

### Activation

Miele’s RemoteUpdate function can only be used if the tumble dryer is connected to a Wi-Fi network (see “Settings - Miele@home”) and you have an account in the Miele App. The

dryer must be registered in the App. See the Miele App for terms and conditions of use.

## Running a RemoteUpdate

Information about the content and scope of an update is provided in the Miele App.

The message *UP* will appear in the time display if an update is available.

You can install the update immediately or postpone this until later. When the tumble dryer is switched on again, you will be reminded about the update.

Deactivate RemoteUpdate if you do not want to install the update.

The update may take several minutes.

Please note the following information about the RemoteUpdate function:

- You will only receive a message when an update is available.
- Once an update has been installed, it cannot be undone.
- Do not switch off the tumble dryer during an update. Otherwise, the update will be aborted and will not be installed.
- Some software updates can only be carried out by a Miele service technician.

## Activating/Deactivating

The RemoteUpdate function is activated as standard. Available updates will be downloaded automatically but will only be installed if you initiate the installation manually. Deactivate RemoteUpdate if you do not want any updates to be downloaded automatically.

### Options

-00 = Off

-01 = **On (factory default setting)**

## Starting the update

After the tumble dryer is switched on, *UP* appears in the time display.

- Touch the *Start/Add laundry* sensor.

*UP* will flash in the time display. The update starts.

Bars in the time display show the progress of the update:

I = 0%

||||| = 100%

## Postponing the update

After the tumble dryer is switched on, *UP* appears in the time display.

- Touch the  sensor.


The next time you switch on the appliance, you will be prompted to start the update again.

## P3 | Remote control

You can use the Miele App to check the status of your tumble dryer from anywhere and start it remotely. You can also control it remotely via the *MobileStart* programme.

Remote control is automatically activated when you connect the tumble dryer to the Wi-Fi network. You can switch off remote control if you do not want to operate the tumble dryer with your mobile device.

A programme can be cancelled via the App even if this programmable function is switched off.

Use the  sensor to set a timeframe during which you wish to start the tumble dryer and start the Delay start.

## Programmable functions

---

The tumble dryer will then start within the specified timeframe when it receives your signal.

If it has not received a start signal by the latest start time set, the tumble dryer will start automatically.


### Options


-00 = Off

-01 = **On (factory default setting)**

### **P32 SmartGrid (only functional in selected countries)**

You can use this function to set your tumble dryer to start automatically based on an external signal within a certain time period.

If you have activated SmartGrid, the  sensor will have the new “SmartStart” function instead of the “Delay start” function.

Use the  sensor to set a SmartStart time period. The tumble dryer will then start within the time period specified by you when it receives an external signal. If a signal has not been received by the latest start time set, the tumble dryer will start automatically (see “Delay start”).

### Options

-00 = **Off (factory default setting)**

-01 = On

### **Copyright and licences for the communication module**

For the purpose of operating and controlling the communication module, Miele uses proprietary or third-party software that is not covered by open source licensing terms. These items of software/software components are

protected by copyright. The copyright powers of Miele and third parties must be respected.

In addition, the communication module contains software components which are distributed under open source licensing terms. The open source components contained in the appliance along with the corresponding copyright notices, copies of the licensing terms valid at the time, and any further information can be accessed locally via IP using a web browser (*http://<IP address>/Licenses*), where <IP address> is the IP address of the appliance. The liability and warranty arrangements for the open source licences displayed in this location only apply in relation to the respective rights holders.

**Miele Australia Pty. Ltd.**

ACN 005 635 398

ABN 96 005 635 398

Melbourne:

Level 4, 141 Camberwell Road

Hawthorn East, VIC 3123

Telephone: 1300 731 411

service.prof@miele.com.au

**[www.miele.com.au/professional](http://www.miele.com.au/professional)  
[professional.sales@miele.com.au](mailto:professional.sales@miele.com.au)**

**Miele New Zealand Limited**

IRD 98 463 631

8 College Hill

Freemans Bay

Auckland 1011

New Zealand

Telephone: 0800 4 MIELE

(0800 464 353)

[www.miele.com.au/professional](http://www.miele.com.au/professional)

[professional.sales@miele.com.au](mailto:professional.sales@miele.com.au)



Miele Global Headquarters: Miele & Cie. KG  
Carl-Miele-Straße 29, 33332 Gütersloh, Germany

PDR 1108 HP SmartBiz

en-AU, NZ

M.-Nr. 12 549 420 / 01