

## THE BENCHMARK MACHINES

**OPL** ON-PREMISE LAUNDRY



Gas Heating



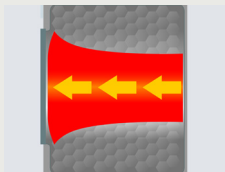
Electric Heating



## PDR 914 | 30 lbs. PERFORMANCE PLUS

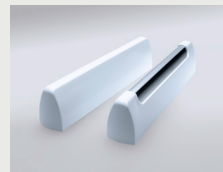
### Features

- Programmable controls
- Short program cycles
- Patented Honeycomb Drum
- PerfectDry system – residual moisture sensors
- Intelligent dryers – gentle and uniform
- Perfect anti-crease
- Economical and efficient
- LAN/WiFi capable (accessory required)



### Axial airflow

For perfect drying results, air is passed through the drum according to the principle of longitudinal air flow.



### SoftLift drum ribs ensure gentle fabric care

The SoftLift drum ribs allow laundry to be dried gently and evenly.



### Honeycomb Drum

Less folding, easy finishing: laundry is dried very gently and evenly in the Honeycomb Drum.



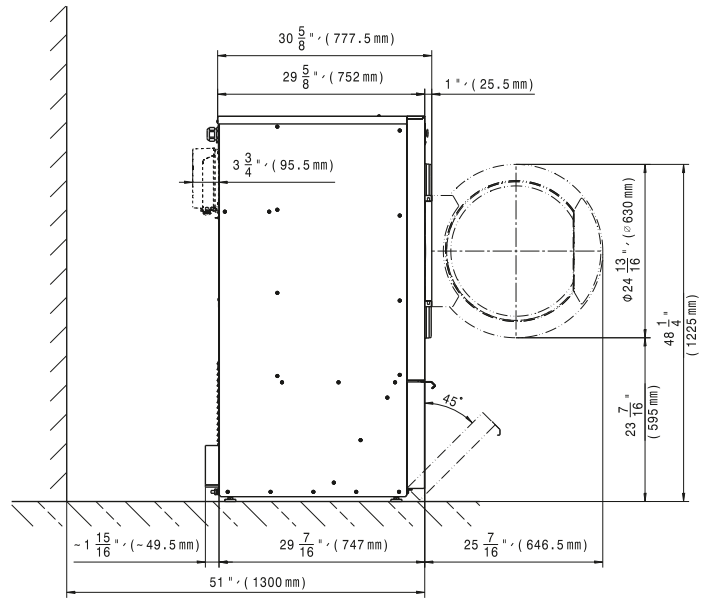
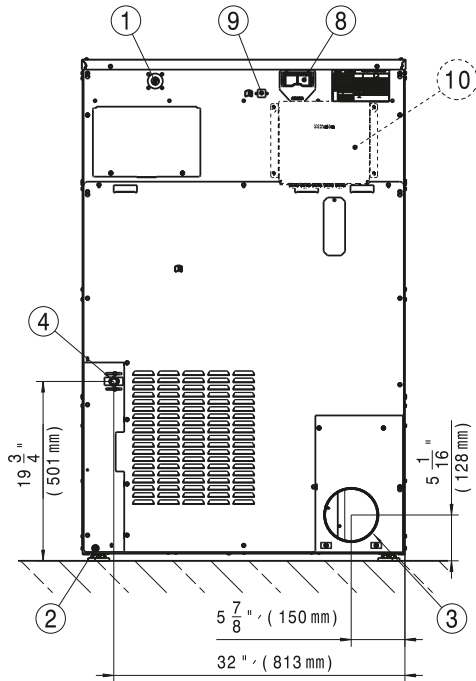
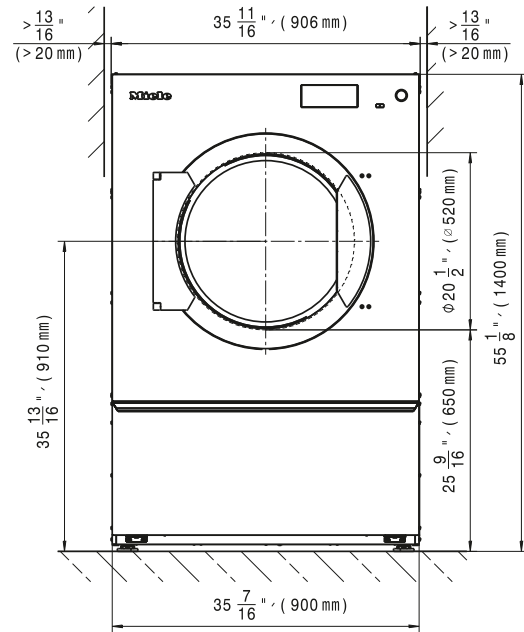
### Large fluff filter

The very large filter surface is particularly easy to clean.

Model	Heat Type	Electrical Specification Voltage/Hz/Phase (Amp)	Color	Material No.	Article No.
PDR 914	Gas	208, 240/60/1 (2 x 15 A)	Iron Grey	12012130	52914020NAM
PDR 914	Gas	208, 240/60/1 (2 x 15 A)	Stainless Steel	12012120	52914019NAM
PDR 914	Electric	208, 240/60/3 (3 x 50 A)	Stainless Steel	12012110	52914017NAM

## Specifications

Capacity	30 lbs. (13.5 kg)
Cylinder Diameter	20 1/2 in. (520 mm)
Cylinder Depth	18 7/8 in. (480 mm)
Cylinder Volume	8.8 cu.ft. (250 l)
Machine Dimensions (WxDxH)	35 11/16 x 33 9/16 x 55 1/8 in. (906 x 852 x 1,400 mm)
Door Opening	20 1/2 in. (520 mm)
Floor to Door	23 7/16 in. (595 mm)
Reversible Door	Yes
Shipping Dimensions (WxDxH)	42 15/16 x 36 15/16 x 60 1/16 in. (1,090 x 938 x 1,526 mm)
Net Weight Gas   EL	358 lbs. (162 kg)   354 lbs. (160 kg)
Crated Weight Gas   EL	384 lbs. (174 kg)   380 lbs. (172 kg)
Min. Recommended Distance Between Machines	13/16 in. (20 mm)
Agency Approvals	Intertek



Heating	Voltage (Voltage/Hz/Phase)	Wire	Circuit Breaker Amps	Running Amps	Total Power (kW)
Gas	208, 240/60/1	2 Wire + Ground	15	5	0.6
Electric	208, 240/60/3	3 Wire + Ground	50	37.1	15.3

Specifications subject to change without notice or obligation.  
Contact Miele USA at (800) 991-9380 or Miele Canada at  
(888) 325-3957 for dimensions not shown or for clarification.