

Operating and Installation Instructions Fridge-freezer Combination




It is **essential** to read the operating and installation instructions before setup, installation, and commissioning. This prevents both personal injury and damage to the appliance.

Contents

IMPORTANT SAFETY INSTRUCTIONS	5
Caring for the environment	16
Installation	17
Installation location	17
Climate class	18
Ventilation.....	18
Installation and appliance dimensions	20
Installation dimensions.....	20
Appliance dimensions	21
Limiting the opening angle of the doors.....	24
Repositioning electrical cabling and the pipework for the fresh water supply	25
Dimensions and weight of cabinet doors.....	27
Building in the appliance	28
Before installing the appliance	29
Preparing the niche	30
Pushing the appliance into the niche	33
Aligning the refrigeration appliance.....	33
Securing the appliance in the niche	34
Remove the fixing bracket.....	35
Securing the cabinet fronts to the freezer drawers	36
Securing the cabinet door to the refrigerator door.....	37
Fitting the air filter and ventilation grille.....	39
Water connection	41
Information on the plumbed-water connection	41
Connecting the water supply line	42
Electrical connection	45
Saving energy	47
Guide to the appliance	49
Accessories supplied	52
Optional accessories.....	52
Switching on and off	53
Cleaning the refrigerator.....	53
Operating the appliance	53
Switching the appliance on	53
Switching the appliance off.....	54
Turning off for longer periods of time - Vacation mode	54

The correct temperature	55
... in the refrigerator section and in the PerfectFresh zone.....	55
Automatic cold air circulation (DynaCool)	55
... in the Freezer Zone.....	55
Temperature display	56
Setting the temperature for the refrigerator and freezer.....	56
Adjusting the temperature in the PerfectFresh zone <i>b</i>	57
Temperature range	58
Using Automatic SuperCool and SuperFreeze	59
SuperCool function	59
SuperFreeze function	60
Selecting additional settings	61
Sabbath mode <i>5</i>	61
Turning on Sabbath mode.....	62
Turning off Sabbath mode.....	62
Safety lock <i>c</i>	63
Activating and deactivating the safety lock.....	63
Changing the brightness of the temperature display <i>h</i>	65
Changing the door seal heater setting <i>H</i>	66
Temperature and door alarm	68
Temperature alarm.....	68
Door alarm.....	69
Storing food in the fridge zone	70
Different storage zones	70
Food which is not suitable for storage in the fridge zone	71
Notes on buying food.....	72
Storing food correctly.....	72
Storing food in the PerfectFresh zone	73
Regulating the humidity level in the compartments	73
Using a compartment as a dry compartment	74
Using a compartment as a humid compartment	74
Adjusting the interior fittings (refrigerator section)	76
Adjusting the door shelf/bottle shelf	76
Removing or moving the shelves	76
Removing the glass plate above the PerfectFresh Pro zone.....	76
PerfectFresh zone compartments	77

Contents

Adjusting the interior fittings (freezer section)	78
Freezer drawers	78
Moving the dividing grille in the lower freezer drawer	78
Removing the freezer drawer containers.....	79
Freezing and storing food	80
Maximum freezing capacity	80
What happens when you freeze fresh food?	80
Storing frozen food.....	80
Home freezing	81
Before placing food in the freezer	82
Placing food in the freezer.....	82
Cooling drinks quickly	83
Making ice cubes	84
Turning on the ice maker	84
Turning off the ice cube maker	85
If the ice cube maker is going to be switched off for a long period of time ..	85
Changing the size of the ice cubes <i>E</i>	85
Automatic defrosting	87
Cleaning and care	88
Cleaning agents.....	88
Preparing the appliance for cleaning.....	89
Interior and accessories	89
Cleaning the door seal	90
Cleaning the ventilation gaps	90
Changing the air filter 	90
After cleaning	92
Frequently asked questions	93
Causes of noises	104
Service and warranty	105

IMPORTANT SAFETY INSTRUCTIONS


This refrigeration appliance complies with current safety requirements. Inappropriate use can, however, lead to personal injury and material damage.

Please read the operating and installation instructions carefully before using the refrigeration appliance for the first time. They contain important information on safety, installation, use, and maintenance. This is to protect yourself from injury, and from damaging your refrigeration appliance.

Miele expressly and strongly advises that you read and follow the instructions in the chapter on installing the refrigeration appliance as well as in the “IMPORTANT SAFETY INSTRUCTIONS”.

Miele cannot be held liable for injury or damage caused by non-compliance with these instructions.

Keep these instructions in a safe place and pass them on to any future owner.

 Risk of injury and damage due to tipping refrigeration appliance.

This refrigeration appliance is very heavy and can tip forwards when the doors are open.

Keep the appliance doors shut until the refrigeration appliance has been built in and secured in its housing in accordance with the Operating and Installation Instructions.

IMPORTANT SAFETY INSTRUCTIONS

Appropriate use

- ▶ This appliance is intended for use in domestic households and similar residential environments such as
 - staff kitchen areas in shops, offices and other working environments
 - farm houses and by clients in hotels, motels and other residential type environments
 - bed and breakfast type environments
 - catering and similar non-retail applications.

This appliance is not intended for use outdoors, in damp environments or in places exposed to rain.

- ▶ This appliance is intended for domestic use only for cooling and storing food and drink as well as for storing deep frozen food, freezing fresh food and for making ice. Any other usage is not supported by the manufacturer and could be dangerous.

- ▶ This refrigeration appliance is not suitable for storing and keeping cool medicines, blood plasma, laboratory preparations, or other similar substances or products that are subject to the Medical Device Directive. Incorrect use of the refrigeration appliance for such purposes may cause deterioration of the items stored. The refrigeration appliance is also not suitable for use in areas where there is a risk of explosion.

Miele cannot be held liable for damage resulting from incorrect or improper use or operation.

- ▶ This refrigeration appliance may only be used by people (including children) with reduced physical, sensory, or mental capabilities or lack of experience and knowledge if they are supervised while using it.

The refrigeration appliance may only be used by these people without supervision if they have been shown how to use it in a safe way and recognize and understand the consequences of incorrect operation.

IMPORTANT SAFETY INSTRUCTIONS

Safety with children

- ▶ Children should be supervised in the vicinity of the appliance.
- ▶ Children ages eight and up may only use the appliance even without supervision if they have been shown how to use it in a safe manner, and if they are able to recognize and understand the potential risks of improper use.
- ▶ Children must not clean or service the appliance unless they are under supervision.
- ▶ To reduce the risk of injury, do not allow children to play in, on or near the appliance.
- ▶ The door hinges can cause injury. Keep children well away at all times.
- ▶ Ensure that any packing material is disposed of safely and kept out of the reach of children. **DANGER** of suffocation!

IMPORTANT SAFETY INSTRUCTIONS

Technical safety

▶ The coolant circuit has been checked for leaks. The refrigeration appliance complies with statutory and regulatory requirements.



▶ The symbol is located on the compressor and indicates the danger of inflammable materials. Do not remove the label.

WARNING! This refrigeration appliance contains the refrigerant Isobutane (R600a), a natural gas which is environmentally friendly, but flammable. Although it is combustible, it does not damage the ozone layer and does not contribute to the greenhouse effect. The use of this refrigerant has, however, led to a slight increase in the noise level of the appliance. In addition to the noise of the compressor, you might be able to hear the refrigerant flowing around the cooling circuit. Unfortunately, this cannot be avoided, but it does not affect the performance of the refrigeration appliance.

WARNING! When transporting and installing the refrigeration appliance, ensure that no parts of the cooling circuit are damaged. Splashes of refrigerant can damage the eyes.

In the event of damage:

- Avoid open flames or anything which creates a spark.
- Disconnect the refrigeration appliance from the power supply.
- Ventilate the room where the refrigeration appliance is located for several minutes.
- Contact Miele Customer Service.

IMPORTANT SAFETY INSTRUCTIONS

▶ The more refrigerant there is in a refrigeration appliance, the larger the room it should be installed in. In the event of a leakage, if the appliance is in a small room, there is the danger of a combustible gas/air mixture building up. For every 8 g of refrigerant, at least 3' 3" (1 m)³ of room space is required. The amount of refrigerant in the refrigeration appliance is stated on the data plate inside the appliance.

▶ To avoid the risk of damage to the appliance, make sure that the connection data (fuse rating, frequency and voltage) on the data plate corresponds to the household supply. Check that this is the case before connecting the appliance. Consult a qualified electrician if in any doubt.

▶ The electrical safety of the appliance can only be guaranteed when correctly grounded. It is essential that this standard safety requirement is met. If in any doubt please have the electrical installation tested by a qualified electrician.

▶ Temporary or permanent operation on an autonomous power supply system or a power supply system that is not synchronized with the grid power supply (e.g., island networks, back-up systems) is possible. A prerequisite for operation is that the power supply system complies with national and local codes.

The function and operation of the protective measures provided in the domestic electrical installation and in this Miele product must also be maintained in isolated operation or in operation that is not synchronized with the grid power supply, or these measures must be replaced by equivalent measures in the installation.

▶ If the power cord is damaged, it must be replaced by a Miele authorized technician in order to protect the user from harm.

▶ Do not connect the appliance to the electrical supply with a power bar or extension cord. These are a fire hazard and do not guarantee the required safety of the appliance.

IMPORTANT SAFETY INSTRUCTIONS

- ▶ If moisture gets into electrical components or into the power cord, it could cause a short circuit. Therefore, do not operate the machine in areas where there may be moisture or splashing water (e.g., garages, laundry rooms).
- ▶ This appliance must not be installed and operated in mobile installations (e.g. on a ship).
- ▶ Do not use a damaged appliance. It could be dangerous. Check the appliance for visible signs of damage.
- ▶ For safety reasons, this appliance may only be used after it has been built in.
- ▶ The machine must be disconnected from the power supply during installation, maintenance, and repair work, and installation work on the fresh water connection. The machine is only completely isolated from the power supply when:
 - the fuses have been switched off, or
 - the circuit breaker has been removed completely, or
 - the power cord has been unplugged. Pull on the plug and not on the power cord when disconnecting it from the power supply.
- ▶ Unauthorized installation, maintenance, and repairs, or a faulty fresh water connection can cause considerable danger for the user. Installation, maintenance, and repairs, installation work on the fresh water connection, and all repairs on the ice/water outlet must only ever be carried out by a Miele authorized technician.
- ▶ Any manufacturer's warranty may be void if the appliance is not repaired by a Miele approved service technician.
- ▶ Faulty components must only be replaced by genuine Miele replacement parts. Miele can only guarantee the safety standards of the appliance when Miele replacement parts are used.
- ▶ Miele cannot be held liable for damage caused by a faulty connection to the fresh water supply.

IMPORTANT SAFETY INSTRUCTIONS

- ▶ The ice cube maker must only be connected to a cold water line.

Proper installation

- ▶ Four people are required to install the refrigeration appliance.
- ▶ Only install the refrigeration appliance in a solid, rectangular, and level housing unit, positioned on an even and level floor.

Correct use

- ▶ This refrigeration appliance is designed for use within specific ambient temperatures (climate range). Do not use in ambient temperatures for which it is not designed. The climate range is stated on the data plate in the interior cabinet of the refrigeration appliance. A lower ambient temperature will cause the compressor to switch off for longer periods, meaning that the refrigeration appliance is unable to maintain the required temperature.
- ▶ **WARNING! DANGER of overheating!** Do not cover or block the air vents. This can impair the efficiency of the appliance, increase the power consumption and cause damage to the appliance.
- ▶ If storing food which contains a lot of fat or oil in the appliance, make sure that it does not come into contact with plastic components as this could cause stress cracks or break the plastic.
- ▶ Risk of fire and explosion. Do not store any explosive materials or products containing flammable propellants (e.g., spray cans) in the appliance. Electrical components can cause flammable mixes of gases to ignite.
- ▶ **WARNING! Risk of explosion.** Do not operate any electrical equipment (e.g., an electric ice-cream maker) inside the refrigeration appliance. Risk of sparking and explosion.
- ▶ Risk of injury and damage. Do not store cans or bottles containing carbonated drinks or liquids which could freeze in the freezer section. Otherwise they could burst.

IMPORTANT SAFETY INSTRUCTIONS

- ▶ Risk of injury and damage. When chilling drinks in the freezer section, make sure that bottles are not left in for more than one hour. Otherwise they could burst.
- ▶ Risk of injury. Never handle frozen food or the metal parts of the appliance with wet hands. Your hands may freeze to the frozen food or to the metal.
- ▶ Risk of injury. Do not take ice cubes out with your bare hands and never place ice cubes or ice pops in your mouth straight from the freezer section. The very low temperature of the frozen food can cause frost burn to the lips and tongue.
- ▶ Do not refreeze partially or fully defrosted food. Consume defrosted food as soon as possible, as it will lose its nutritional value and spoil if left for too long. Defrosted food may only be refrozen after it has been cooked.
- ▶ When eating stored food, there is a danger of food poisoning. Storage times will depend on several factors, including the freshness and quality of the food, as well as the temperature at which it is stored. Observe the manufacturer's "use-by" dates and storage instructions.
- ▶ Do not lean on the freezer drawers when they are pulled out. This could damage the refrigeration appliance.

Accessories and parts

- ▶ Use only genuine original Miele parts. If parts or accessories from other manufacturers are used, the warranty may become invalid.
- ▶ Miele will guarantee to supply functional spare parts for a minimum of 10 years and up to 15 years following the discontinuation of your refrigeration appliance.

IMPORTANT SAFETY INSTRUCTIONS

Cleaning and maintenance

- ▶ Do not use any oil or grease on the door seals. They can cause the seals to deteriorate over time.
- ▶ **WARNING! DANGER** of injury and damage! Do not use any mechanical tools or other types of aid which are not recommended by the manufacturer to accelerate the defrosting process.
- ▶ Never use a steam cleaner to clean the appliance. The steam can reach the electrical components and cause a short circuit.
- ▶ Sharp edged or pointed objects will damage the evaporator, causing irreversible damage to the appliance. Do not use sharp edged or pointed objects to
 - remove frost or ice,
 - separate frozen foods or remove ice trays.
- ▶ Never place electric heaters or candles in the appliance to defrost it. These can damage the plastic parts.
- ▶ Do not use defrosting sprays or de-icers, as they could contain substances which could damage the plastic parts or which might cause the build-up of gases and pose a danger to health.

IMPORTANT SAFETY INSTRUCTIONS

Transport

- ▶ To avoid damage to the appliance, always transport it upright and in its packaging.
- ▶ Risk of injury and damage. The refrigeration appliance is very heavy and must be transported by two people.

Disposal of your old appliance

- ▶ **DANGER!** Risk of child entrapment! Children could become trapped in the refrigeration appliance and could suffocate.
 - Remove the appliance door(s).
 - Remove the drawers.
 - Leave the adjustable shelves in the refrigeration appliance so children cannot climb inside.
 - If your old refrigeration appliance has a door lock, destroy it. This will prevent the risk of children playing accidentally locking themselves in and endangering their lives.
- ▶ Risk of electric shock!
 - Cut the electrical plug off the power cord.
 - Cut the power cord off the old appliance.
- ▶ Dispose of them separately from the appliance.
- ▶ Ensure that the appliance is not stored in the vicinity of gasoline or inflammable gases and liquids during and after disposal.
- ▶ Risk of fire due to escaping oil or refrigerant!
The refrigerant and oil inside the appliance are flammable. In high enough concentrations, escaping refrigerant or oil may ignite if they come into contact with an external heat source.
During disposal, make sure that the cooling circuit is not damaged in order to prevent refrigerant and oil escaping in an uncontrolled manner (see the data plate for details of the refrigerant).

IMPORTANT SAFETY INSTRUCTIONS

- ▶ If your old refrigeration appliance has a door lock, destroy it. This will prevent the risk of children playing accidentally locking themselves in and endangering their lives.
- ▶ Splashes of coolant can cause damage to the eyes. Be careful not to damage any part of the pipework while awaiting disposal, e.g. by
 - puncturing the coolant channels in the evaporator,
 - kinking any pipework,
 - scratching the surface coating.

Symbol on the compressor (depending on model)

This information is only relevant for recycling. There is no risk during normal operation.



- ▶ The oil in the compressor can be fatal if swallowed or if it penetrates the airways.

Symbol on the rear of the appliance (depending on model)

This label or a similar one is only relevant for recycling. Do not remove the label.



- ▶ This information refers to the foamed-in panels in the door and/or the housing.

Caring for the environment

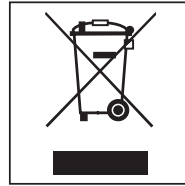
Disposal of packaging material

The packaging is designed to protect the appliance from damage during transportation. The packaging materials used are selected from materials which are environmentally friendly for disposal and should be recycled.

Ensure that any plastic wrappings, bags, etc. are disposed of safely and kept out of the reach of children. Return the packaging to your dealer.

Disposing of your old appliance

Electronic and electrical appliances contain many valuable materials. They also contain certain materials, compounds, and components which were essential for their correct functioning and safety. These could be hazardous to your health and to the environment if disposed of with general waste or if handled incorrectly. Please do not, therefore, dispose of your old appliance with general waste.




Instead, please make use of officially designated collection and disposal points to dispose of and recycle electrical and electronic appliances. By law, you are solely responsible for deleting any personal data from the appliance prior to disposal.


Take care not to damage your refrigeration appliance's pipework before or during transportation to an authorized collection depot.


This is to ensure that coolant in the cooling circuit and oil in the compressor is contained, and will not leak into the environment.


Please ensure that your old appliance poses no risk to children while being stored for disposal. For additional information, see "IMPORTANT SAFETY INSTRUCTIONS" in these operating and installation instructions.

 **WARNING!** This appliance must be built in, otherwise it could tip over!

Install the appliance in accordance with the installation instructions.

 **Fire hazard and risk of damage!**
The appliance must not be installed underneath a cooktop.

 To avoid a build-up of condensation and the damage this can cause, refrigerators and freezers should not generally be installed side by side with other such appliances.
Do not install this appliance beside another refrigerator or freezer.

 **Risk of damage due to high humidity.**

In environments with high humidity, condensation can build up on external refrigeration appliance panels, which can cause corrosion.

Install the refrigeration appliance in a dry and/or air-conditioned room with sufficient ventilation.

After installation, make sure that the appliance doors close properly, the ventilation gaps are not covered, and that the refrigeration appliance has been installed in accordance with the operating and installation instructions.

Installation location

This appliance should be installed in a dry, well-ventilated room.

When deciding where to install your appliance, please bear in mind that the energy consumption will increase if installed near to a heater, a cooker, or other appliance that gives off heat. Direct sunlight should also be avoided. The higher the room temperature, the longer the compressor has to run and the higher the energy consumption is.

When installing the appliance, please note:

- The electrical socket must be easily accessible in an emergency and not concealed behind the appliance.
- The plug and power cord must not touch the back of the appliance as they could be damaged by vibrations from the appliance.
- Do not plug other appliances into electrical sockets behind this appliance.

Installation

Climate class

This refrigeration appliance is designed for use within specific ambient temperatures (climate range). Do not use in ambient temperatures for which it is not designed. The climate range is stated on the data plate in the interior cabinet of the refrigeration appliance.

Climate class	Ambient temperature
SN	50 to 90°F/ +10 to +32°C
N	60 to 90°F/ +16 to +32°C
ST	60 to 100°F/ +16 to +38°C
T	60 to 109°F/ +16 to +43°C

A lower ambient temperature leads to the compressor switching off for longer periods. This can cause the internal temperature in the refrigeration appliance to rise with the risk of food deteriorating and going off.

Ventilation

This appliance does not require apertures for ventilation in the appliance furniture. Ventilation occurs via the ventilation slit in the appliance plinth.



WARNING! Fire hazard!

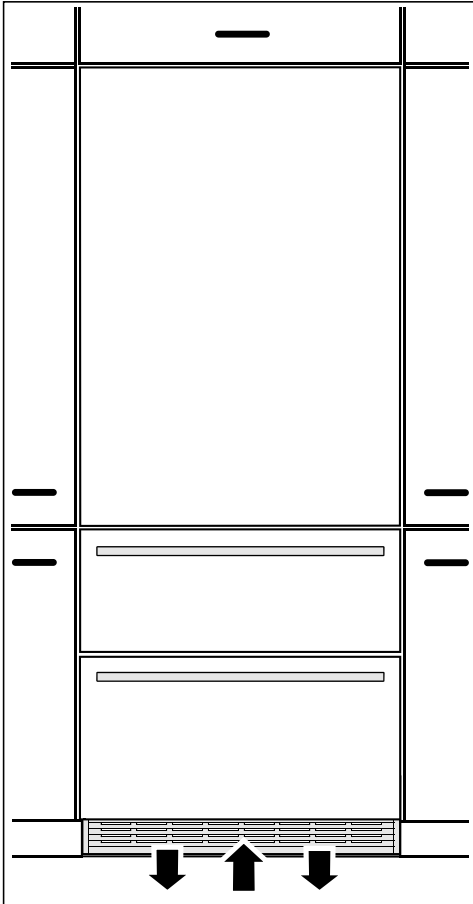
Operation of the appliance is limited. Keep the ventilation slits free from obstruction.



If the ventilation slits are not kept free and unobstructed the compressor will switch on more often and will run for longer.

This can cause higher energy consumption and to an increased compressor operating temperature, which can result in damage to the compressor.

Keep the ventilation slits clear and unobstructed at all times. They must also be regularly cleaned of dust.



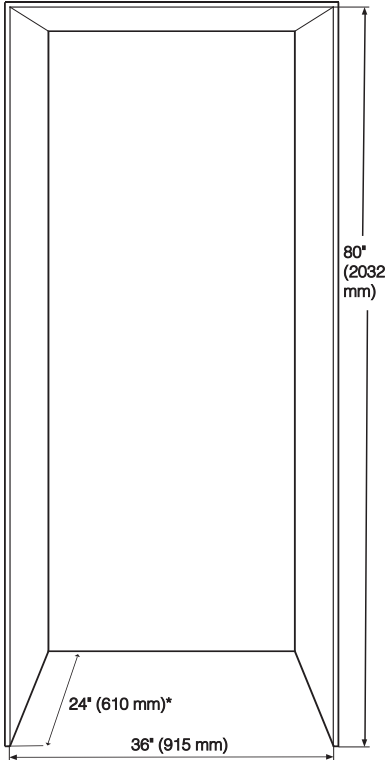
Use only the plinth panel with the ventilation slits as supplied for this appliance!

Installation

Installation and appliance dimensions

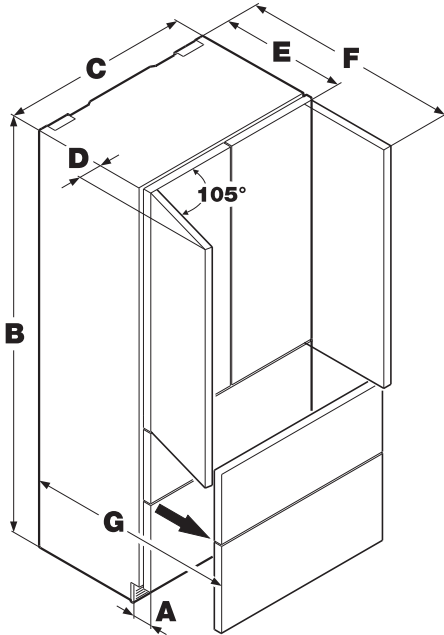
Installation dimensions

If the appliance is to fit in a niche, check that the unit has the correct dimensions for the niche before installation.



* This value applies to "frameless" installation (see "Installation and appliance dimensions – Frameless installation"). The thickness of the cabinet door must be added on for "flush" installation.

Appliance dimensions

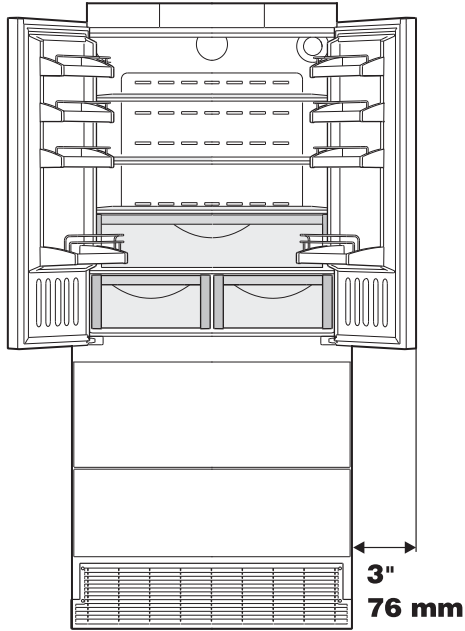


A	B	C	D	E	F	G
3" (76 mm)	79 13/16" (2027 mm)	35 13/16" (910 mm)	4" (102 mm)	24" (610 mm)	42 7/16" (1078 mm)	37 1/8" (943 mm)

Installation

Opening angle of the appliance doors

When choosing a location for your appliance, please consider the space required for opening both appliance doors.



Neither the fitted cabinet door or the handle have been taken into account with the dimensions shown here. Please note that these dimensions need to be added on as necessary!

Flush installation

To avoid a collision of the appliance doors with adjacent furniture, please note the following:

Thickness of the cabinet door	Opening angle of the appliance doors
5/8" (16 mm)	No limitation required
3/4" (19 mm)	Recommended limitation to 95° *

* Use the door opening angle limiter pins supplied (see “Limiting the opening angle of the appliance door”).

Frameless installation

To avoid a collision of the appliance doors with adjacent furniture, please note the following:

Thickness of the cabinet door	Distance all-round to adjacent furniture	Opening angle of appliance doors
5/8" (16 mm)	less than 1/4" (6 mm)	Recommended limitation to 95° *
3/4" (19 mm)	less than 3/8" (10 mm)	Recommended limitation to 95° *

* Use the door opening angle limiter pins supplied (see “Limiting the opening angle of the appliance door”).

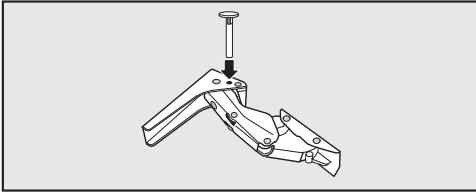
Installation

Limiting the opening angle of the doors

The door hinges are set to enable the appliance doors to be opened wide.

However, if the opening angle of the doors needs to be limited for any reason, the hinge can be adjusted to accommodate this.

If, for example, the appliance doors hit an adjacent wall when it is opened the, you should limit the opening angle of the appliance doors to 95°.

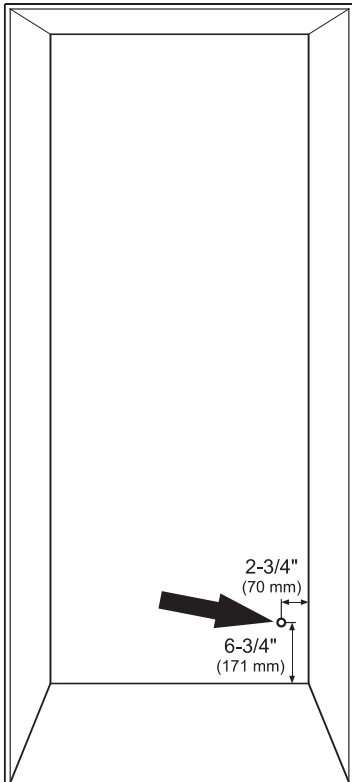


- Insert the pins supplied into the hinges from above.

This will limit the opening angle of the appliance door to 95°.

Repositioning electrical cabling and the pipework for the fresh water supply

Electrical connection



Position of power cord exit on back of appliance.

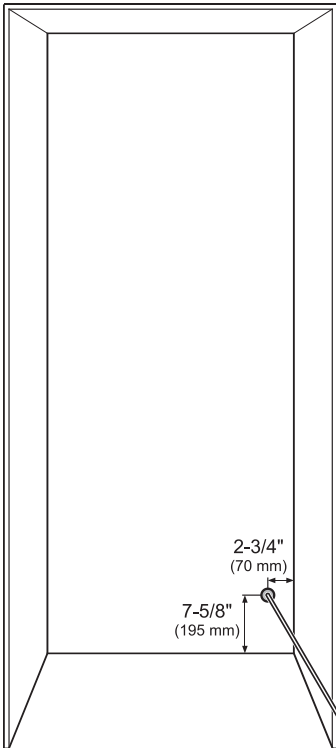
Please note when repositioning the electrical connection that the length of the power cord is 90" (2280 mm).

Do not connect the appliance to the electricity supply by an extension cord. Extension cords do not guarantee the required safety of the appliance (e.g. danger of overheating).

The outlet must be easily accessible in an emergency so that the appliance can be quickly disconnected from the electrical supply in case of an emergency.

Installation

Plumbing



For a 24" (610 mm) deep building-in niche the opening for the water line must be in the position as shown in the diagram.

The water line must be at least 31 1/2" (800 mm) long for this.

For niches deeper than 24" (610 mm) there is sufficient room for repositioning the water line, so the position given does not have to be maintained.

Make sure that the shut-off valve is still accessible after the appliance has been installed.

Dimensions and weight of cabinet doors

A stainless steel front panel for this appliance is available from specialist retail outlets or from Miele Service. Please note, however, that a stainless steel front panel is only available for flush installation (see “Flush installation”).

Please note the following cabinet door requirements:

- The cabinet doors must be a **minimum** of 5/8" (16 mm) thick so that the securing bracket can be fitted.
- The cabinet doors must be a **maximum** of 3/4" (19 mm) thick.

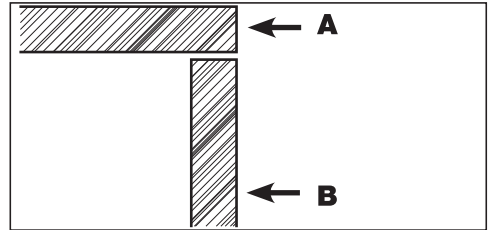
Before fitting the cabinet doors, make sure that they do not exceed the maximum permitted weight:

Max. weight of upper cabinet door (refrigerator section)	Max. weight of lower cabinet door (freezer section)
26.5 lbs (12 kg)	22.0 lbs (10 kg)

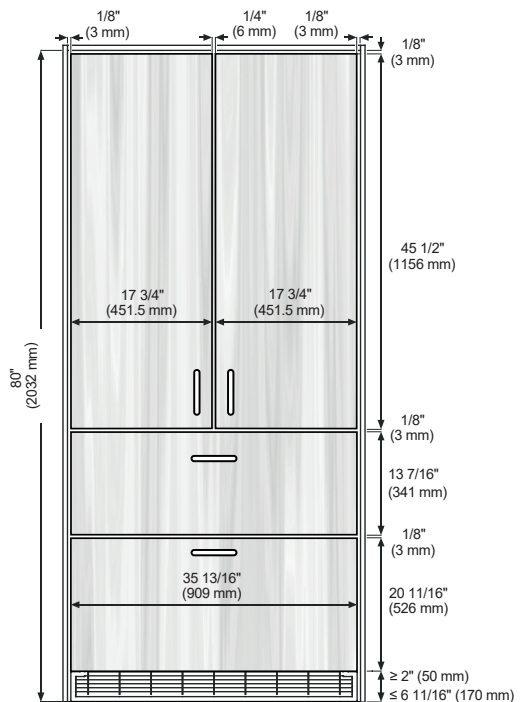
Fitted cabinet doors that exceed the permitted weight can damage the hinges, and this can affect the operation of the appliance.

Flush installation

With this type of installation the cabinet door is flush with the walls of the niche. This is the most common type of installation.



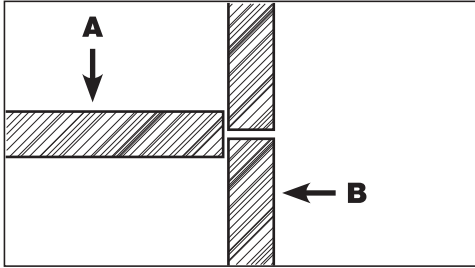
Side view, A: Built-in cabinet, B: cabinet door



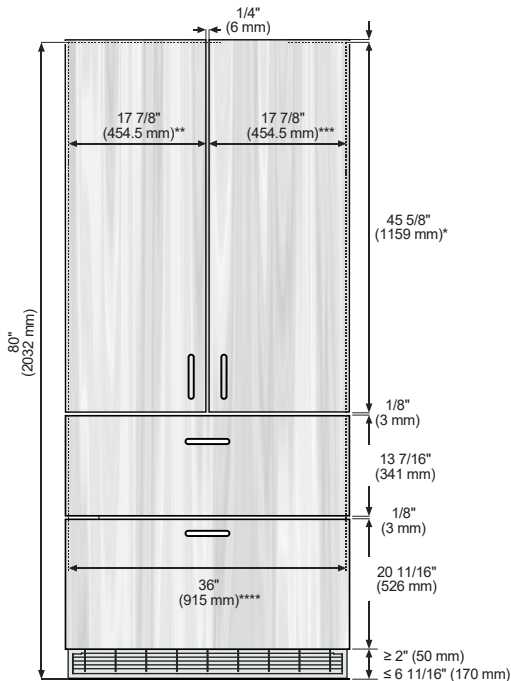
Installation

Frameless installation

With this installation type the cabinet doors are a little wider and taller, so that the gaps between the cabinet doors of the appliance and adjacent furniture are slightly covered.



Side view, A: Built-in cabinet, B: cabinet door



* plus overlap at the top

** plus overlap on the left

*** plus overlap on the right

**** plus overlap on the right and left

Danger of collision and damage to cabinet doors!

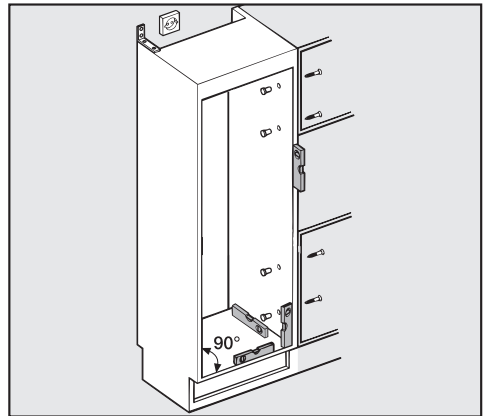
Do not use cabinet doors that are wider than specified!

For “Frameless installation” please observe a distance of at least 1/4” (6 mm) to adjacent furniture.

Building in the appliance

Four people are required to install the refrigeration appliance.


- Install the appliance in a stable, solid cabinet, positioned on an even and level floor.
- Secure the cabinetry against tipping.



- Use a level to align the cabinet. The cabinet corners must be at 90° angles to each other, otherwise the cabinet door will not sit straight on all 4 corners.
- The required ventilation gaps must be provided (see “Installation – Installation notes”).

Before installing the appliance

- Before installation, remove the bag of installation and other accessories from the appliance and remove the profile strip from the outer appliance door.
- Remove the cord clips from the back of the appliance.
- Prepare the water connection for the appliance (see “Water connection”).
- To protect the floor when installing the appliance, secure an off-cut of flooring or similar material to the floor in front of the installation area.

 The appliance is very heavy. Keep the appliance doors shut until the appliance has been fitted and secured in accordance with these operating and installation instructions. The appliance is both large and heavy. Installation must be carried out by two people.

Load-bearing capacity of the niche floor

The floor of the space where the appliance is to be installed must be flat and level.

It must be made of strong, rigid material.

The appliance is extremely heavy when fully loaded, and that the floor it stands on must be able to bear its weight. If necessary, seek the advice of an architect or structural engineer.

Checking the installation niche

- Check the installation dimensions (see “Installation – Installation dimensions”).
- Check the position of the electrical connection.

The electrical socket must not be concealed behind the appliance and must be easily accessible in an emergency.


- Check the position of the plumbed water connection.


The water supply must not be concealed behind the appliance and must be easily accessible in an emergency.

Installation

- Check the surroundings for possible collisions (see “Installation – Dimensions with appliance door open”).
- Only install the refrigeration appliance in stable, solid installation niches, positioned on an even and level floor.
- Also check the installation niche for the following criteria:
 - The side panels of the installation niche must be even.
 - The surrounding walls of the installation niche must be at least 5/8" (16 mm) thick.
 - The surrounding walls must be securely fixed to the floor or wall.

Preparing the niche


 Keep the doors to the appliance closed until it is fixed inside the building-in niche.

 **Danger of tipping over!**
Due to the sheer size and weight of the appliance, it needs to be ensured that it cannot tip forwards once it is built into the niche.

Fitting the anti-tip device

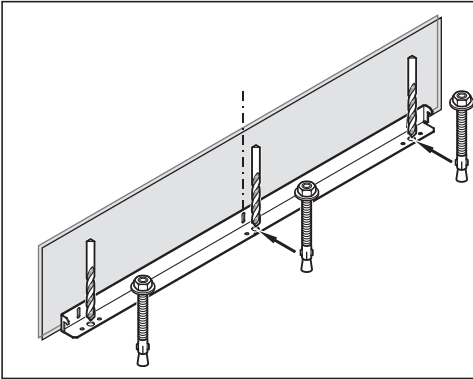
The anti-tip device ensures that the appliance is fixed securely into the building-in niche, preventing the appliance from tipping forwards.

- Mark the mid line of the appliance on the back of the building-in niche. Line up the center of the anti-tip device with this line.

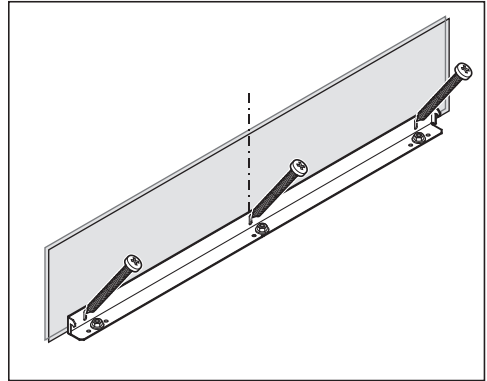
 **Caution!** The water line or power supply could get damaged.
Please ensure that neither the water line nor the power supply are located in this area, as these could be damaged during installation e.g. by screws.

Fixing screws for different uses and types of material are supplied in the accompanying pack.
If these are not suitable for the anti-tipping device in your installation, you will need to secure it by alternative means.

Fitting the anti-tip device on a concrete floor.

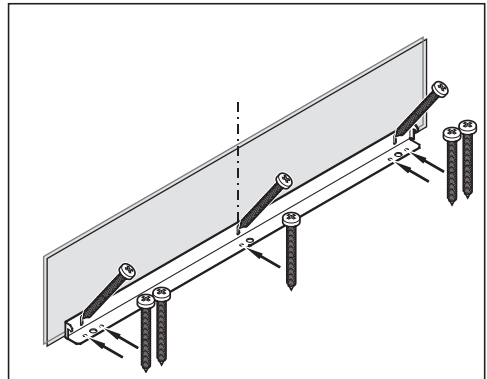


- Drill three holes in the floor to match the holes on the anti-tip device. The drill holes must have a diameter of 3/8" (10 mm) and be a little deeper than the length of the concrete bolts supplied.
- Place or screw the washers and hexagonal nuts onto each of the concrete dowels.
- Secure the anti-tip device to the floor with the concrete dowels.
- Align the anti-tip device with the center line again.
- Then use the nuts to tighten the concrete dowels.



- Now secure the anti-tip device to the wall with the three screws (1/4" x 2-1/8" (6 x 54 mm)).

Fitting the anti-tip device on a wooden floor




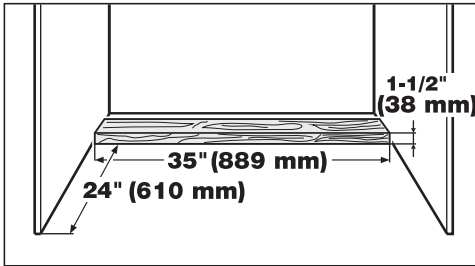
- Secure the anti-tip device to the floor with the five screws 1/4" x 2-1/8" (6 x 54 mm). Pre-drill the holes if necessary.
- Now secure the anti-tip device to the wall with the three screws 1/4" x 2-1/8" (6 x 54 mm).

Installation

Fitting the anti-tip device in a building-in niche deeper than 24" (610 mm)

The guarantee that the compressor plate hooks into the anti-tip device in a deeper building-in niche, a wooden beam must be secured to bridge the gap between the back of the appliance and the wall.

 The wooden beam must be securely fixed to the floor! Select screw lengths according to the thickness of the wooden beam.

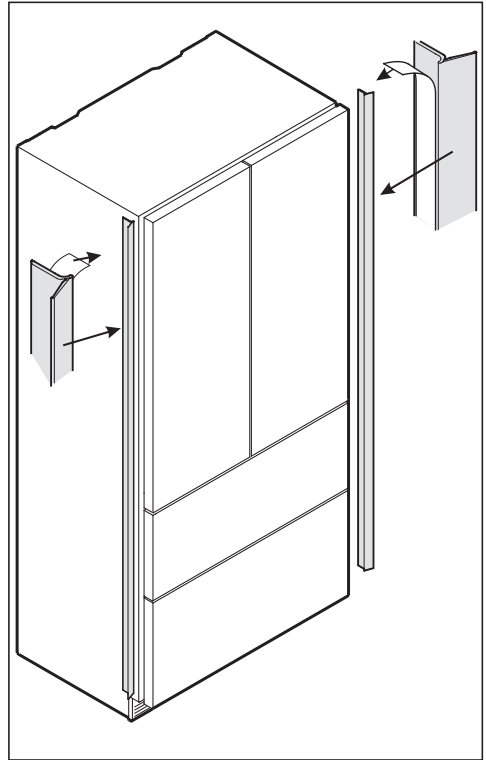


- Match the wooden beam to the depth of the gap between the back of the appliance and the wall.
- Use the number of screws appropriate to the housing width to ensure that the wooden beam is securely fixed.
- Select screw lengths according to the thickness of the wooden beam.

For sideways sloping floors

- Make sure that the anti-tip device is secured horizontally even with a sloping floor. Place spacers underneath if necessary.

Securing the covers



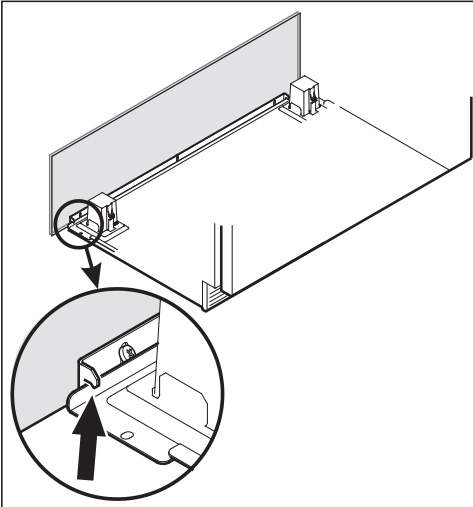
- Adhere the cover strips supplied onto both sides of the appliance.
- Omit the hinges if necessary.

The cover strips protect the appliance from damage when it is being pushed into the niche.

- Now set up the plumbed water connection for the appliance (see "Plumbed water connection").

Pushing the appliance into the niche

⚠ Caution! Risk of damage!
Push the appliance into the niche, taking care not to damage the power cord and plumbed water connections.



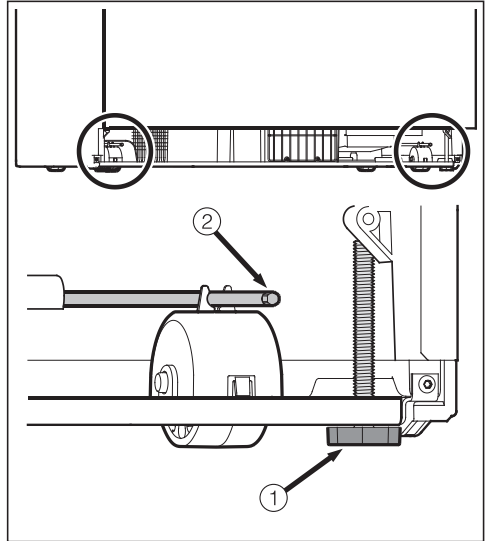
- Push the appliance far enough into the niche so that the compressor support plate hooks into the anti-tip device.

⚠ Caution! Risk of appliance tipping over!

The appliance is only secure and prevented from tipping over when the compressor support plate is hooked into the anti-tip device.

- Now continue with the plumbed water connection for the appliance (see “Plumbed water connection”).

Aligning the refrigeration appliance



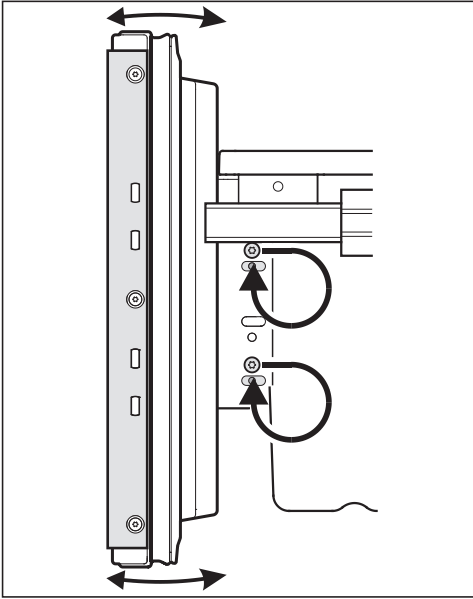
- Use the wrench supplied to align the appliance at the front via the adjustable feet ①, so that it stands upright.
- Also align the appliance at the back by moving the adjusting rods ② with a screwdriver or with the hex key supplied, so that it stands upright.

Caution! Risk of tipping over!

The adjustable feet must stand firmly on the floor, otherwise the appliance could tip forward!

Installation

Aligning the freezer drawer fronts

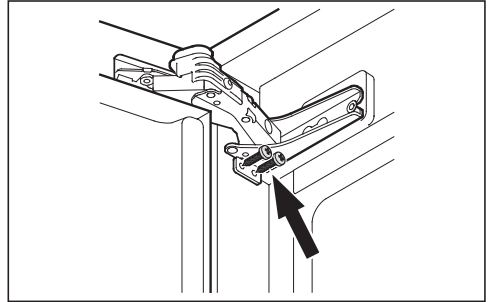


Side view with freezer drawers pulled out

- Move the screws on the right and left side of the freezer drawer into the slots below.
- Align the front of each drawer.
- Now tighten the screws.

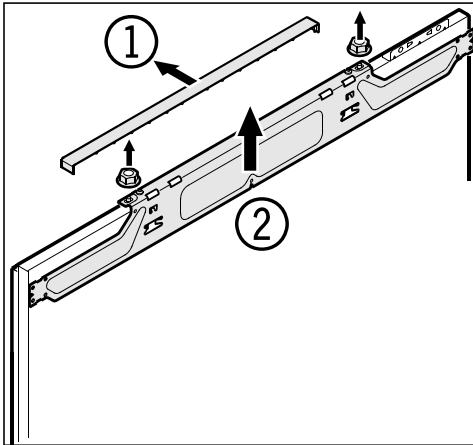
Securing the appliance in the niche

- Remove the covers from the hinges on both sides.

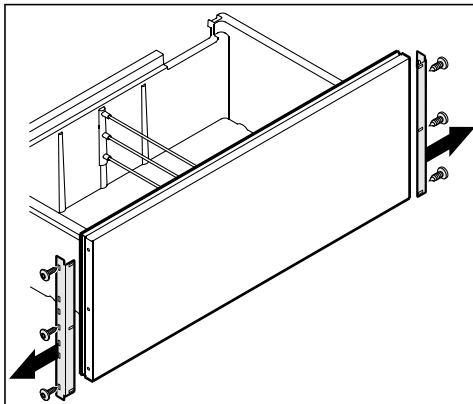


- Secure the appliance into the cabinet with two screws each, top and bottom, above the hinge of both of the refrigerator section doors.

Remove the fixing bracket

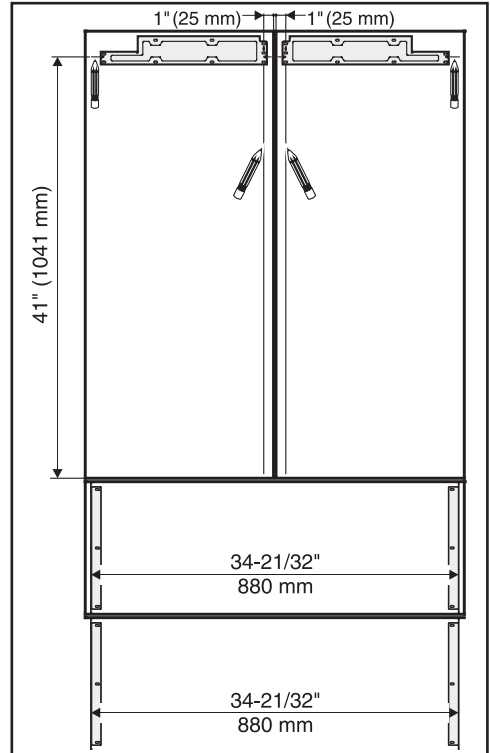


- Remove the fixing bracket covers ① from both refrigerator section doors, then screw them to both brackets ②.
- Place the nuts on one side as these will be required for securing the refrigerator section cabinet doors.

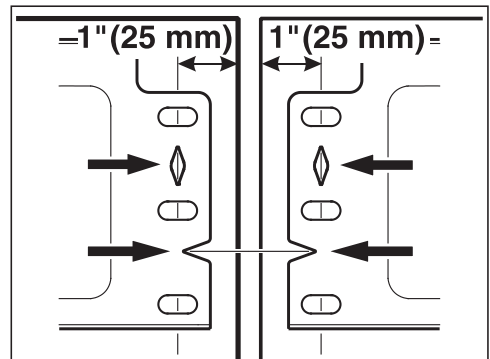


- Loosen the covers on both sides and unscrew both fixing brackets from the freezer drawers.

Fixing the fixing brackets to the cabinet doors

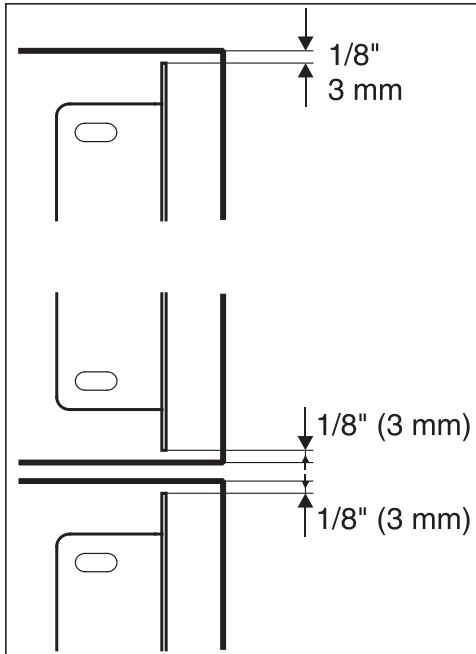


- Lightly draw thin lines with a pencil on the inside of the cabinet doors for the refrigerator section doors, as shown in the diagram.



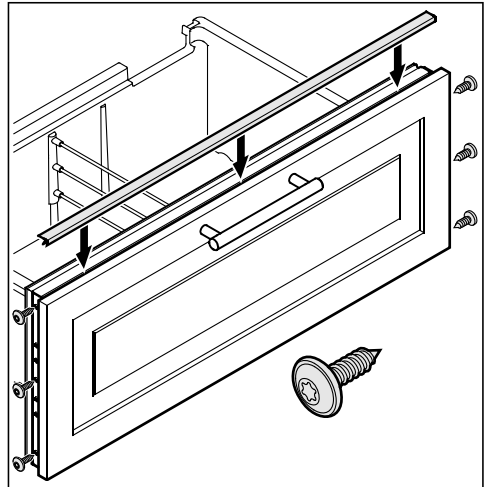
Installation

- Lay the fixing brackets on the inside of the cabinet doors. Align the brackets centrally and on the lines you have drawn.
- Secure each bracket to the cabinet doors for the refrigerator section with at least six screws $3/16"$ x $5/8"$ (4 x 16 mm).



- Secure each bracket to the furniture fronts of the freezer drawers with three screws ($3/16"$ x $5/8"$ (4 x 16 mm)).

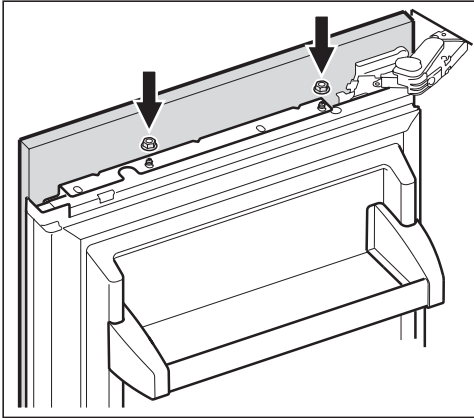
Securing the cabinet fronts to the freezer drawers



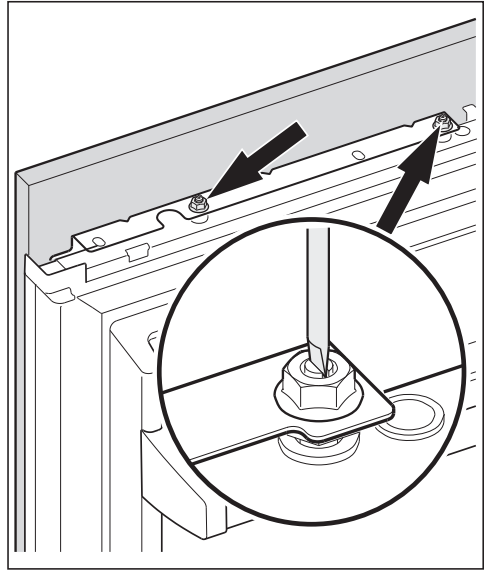
- Pull out each drawer and secure the cabinet front on both sides with the screws $1/8"$ x $1/2"$ (3.5 x 13 mm). These are the same screws that were previously used to attach the fixing bracket.
- Close the drawer front and check whether the fronts are evenly aligned. Use the screws to correct the position of the drawer fronts as necessary.
- Then close the gap between the freezer drawer and cabinet front if necessary with the self-adhesive cover strips supplied. To do this, first remove the protective foil from the strips.

Securing the cabinet door to the refrigerator door

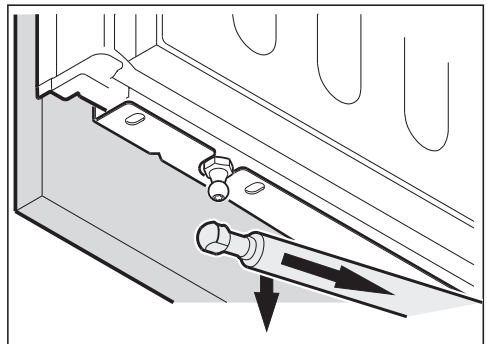
The following is only an instruction for fitting one cabinet door. Repeat the fitting instructions for the second cabinet door.



- Open the refrigerator door and hang the cabinet door on the adjusting bolts from above.
- Screw the nuts loosely onto the adjusting bolts.
- Close the door and check the distance between the door and adjacent furniture.

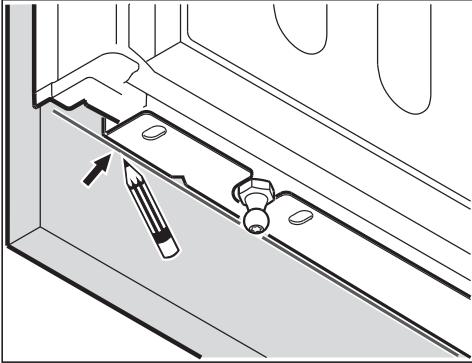


- Loosen the washers again and adjust the bolts to align the cabinet door vertically with adjacent furniture.

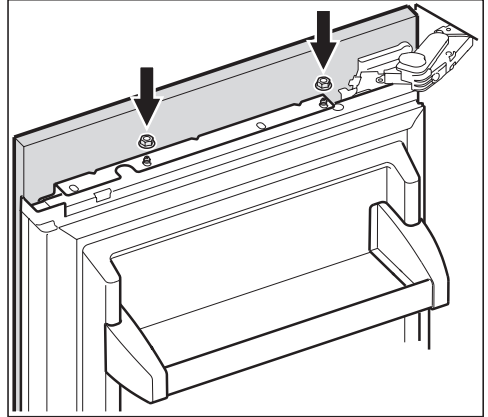


- Then the door closing damper must be removed in order to prepare the fitting at the bottom of the cabinet door.
- Firmly grasp the door closing damper and pull it downwards. The door damper will contract in its extended state!

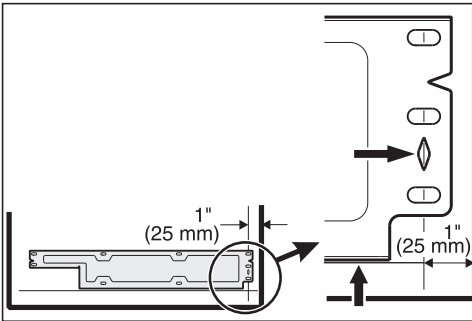
Installation



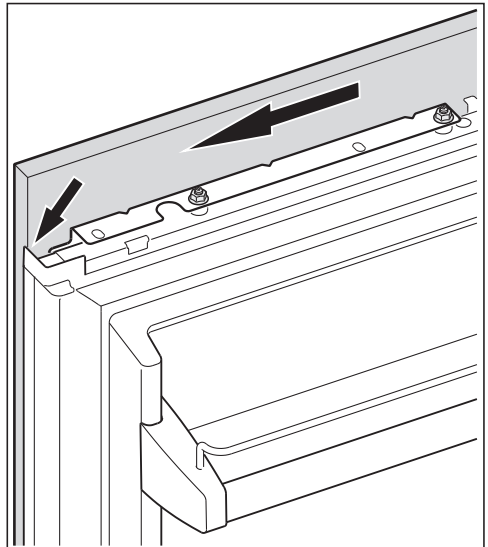
- Draw a line along the lower edge of the fixing bracket.
- Take the cabinet door off the refrigerator door.



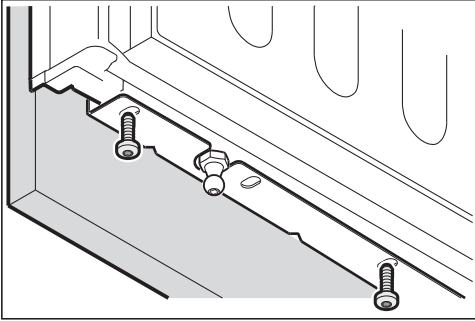
- Screw the nuts onto the adjusting bolts but do not tighten them yet.



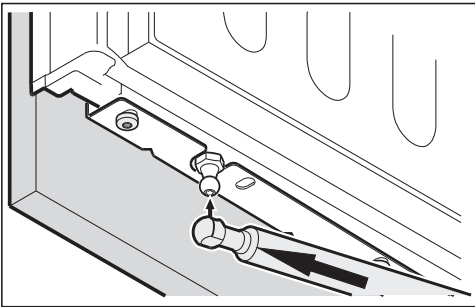
- Remove the lower bracket from the refrigerator door.
- Align the fixing bracket on the cabinet door corresponding to the lines and secure the bracket with a minimum of 6 screws 3/16" x 5/8" (4 x 16 mm).
- Open the refrigerator door and hang the cabinet door on the adjusting bolts again from above.



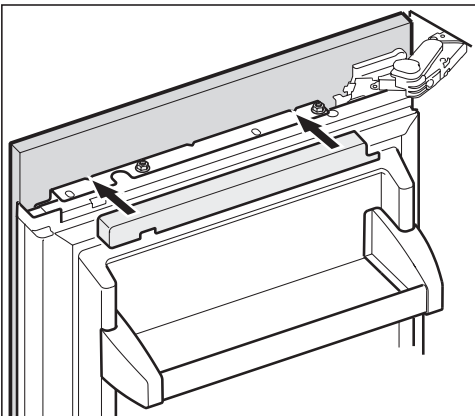
- Align the cabinet door flush with the exterior.
- Now tighten the nuts on the adjustment bolts.



- Secure the cabinet door at the bottom with the same screws that were previously used to attach the lower bracket to the refrigerator door.



- Pull the soft-close mechanism so that it extends and hook it onto the ball joint again.

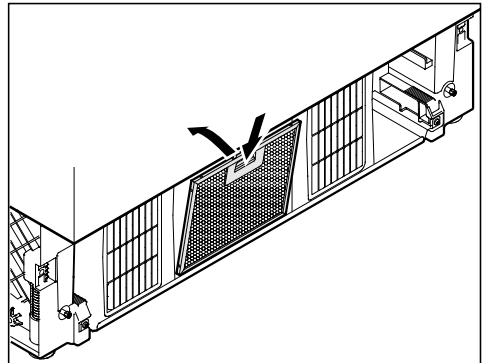


- Put the cover back into place.

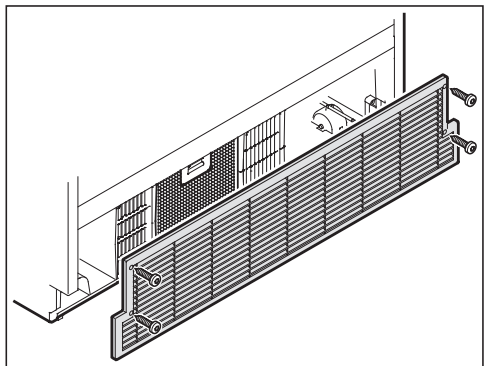
- Take care not to trap any cords located at the sides.
- Check the refrigerator section doors and adjust them if necessary using the screws in the hinges.

Fitting the air filter and ventilation grille

- Pull out the lower freezer drawer completely.
- Carefully remove the protective foil from the air filter supplied.




- Insert the air filter into the bottom left of the appliance plinth, press the tab downwards and click it into place.



- Now screw on the ventilation grille.

Installation

 If the ventilation slits are not kept free and unobstructed the compressor will switch on more often and will run for longer.


This can cause higher energy consumption and to an increased compressor operating temperature, which can result in damage to the compressor.

Use only the grille with the ventilation slits as supplied for this appliance!

Keep the ventilation slits clear and unobstructed at all times. They must also be regularly cleaned of dust.


Water connection

Information on the plumbed-water connection


 Risk of injury and appliance damage if appliance is not connected properly.

Failing to connect the appliance properly can result in personal injury and/or material damage.

The appliance may only be connected to the plumbed-water connection by qualified specialists.

 Disconnect the refrigeration appliance from the power supply before connecting it to the water supply.

Close the shut-off valve before connecting the refrigeration appliance to the water supply.

 **WARNING!** Risk to health and risk of damage due to contaminated water!

The quality of the incoming water must conform to the requirements for drinking water in the country where the refrigeration appliance is being used.

Connect the refrigeration appliance to the drinking-water supply.

This appliance meets the requirements of IEC 61770 and EN 61770.

Connection to the water supply must comply with the applicable regulations in the country where the appliance is being installed. All appliances and systems used to supply water to the refrigeration appliance must also comply with the applicable regulations in the respective country.

The appliance is only suitable for connection to a cold water supply, which

- is directly connected to the water supply in order to ensure a circulation of the water in the cold water line.

Avoid using a water line in which the water is allowed to pool. This can affect the taste of water and ice cubes.

- withstands the operating pressure.
- fulfills the hygiene regulations.

Water pressure on-site:

- Minimum: 21.76 psi (1.5 bar)
- Maximum: 87.02 psi (6 bar)

A shut-off valve must be provided between the water line and the water supply of the building to ensure that the water supply can be cut off if necessary.

Make sure that the shut-off valve is still accessible after the appliance has been installed.

Installation



Risk of damage!

If the water supply is cut off while the ice cube maker is still in use the water intake pipe can freeze up.

Turn the ice cube maker off if the water supply is interrupted (e.g. while on vacation).

Connecting the water supply line

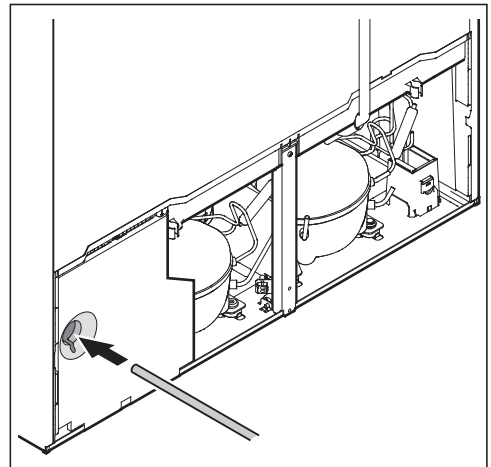
Before establishing the plumbed water connection, ensure that the appliance is disconnected from the power supply.

Before the cold water line is used for the first time, it must be vented by a suitably qualified plumber.

The plumbed water connection is at the front of the machine, at the bottom.

The connection parts included with the machine permit the connection of various water lines (water line not supplied).

- Push the appliance carefully into the niche, leaving sufficient room for installation work behind the appliance.



- Feed the water line forwards from behind through the opening provided on the back of the appliance.
- Guide the power cord out of the niche area.

Risk of damage!

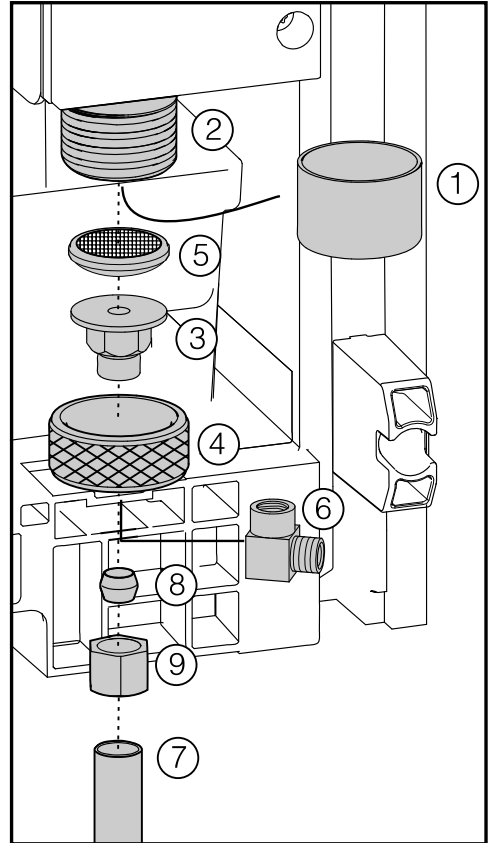
Now move the water line and power cord to avoid damaging them when the appliance is pushed into the niche.

⚠ Please note

Do not connect the appliance to the power supply yet.

Do not connect the appliance to the power supply until the plumbed water connection work has been completed.

- Carefully push the appliance into the building-in niche (see “Building in the appliance”).



The solenoid valve ② has a metric R 3/4 connection thread (the position of the solenoid valve as shown in this diagram may differ from your appliance).

- Remove the cap ① from the solenoid valve ②.
- Insert the adapter ③ into the union nut ④.

⚠ Risk of damage

Do not insert the water filter the wrong way around, as this can cause damage.

Installation

- Insert the water filter ⑤ with the depression facing downward toward the adapter ③.



Risk of damage

Do not overtighten the union nut, as this can cause damage.

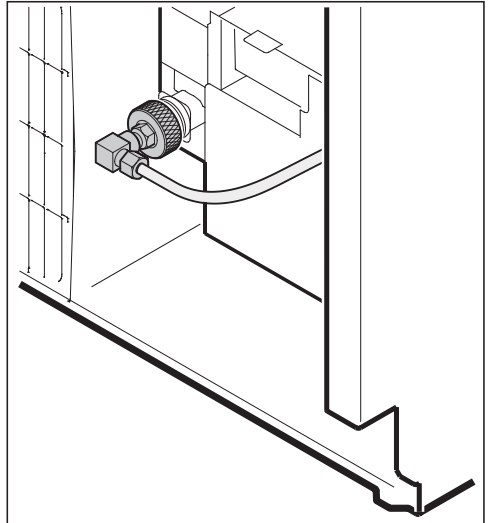
- Connect the union nut ④ to the solenoid valve ②, and tighten it.
- If you want to divert the water line by 90°, screw on the elbow ⑥.

In case of a water line with a 1/4" thread:

- Connect the water line ⑦ (e.g., copper) to the adapter ③ or elbow ⑥ using the clamping ring ⑧ and nut ⑨.

In case of a water line with a 7/16" 24-UNS thread:

- Connect water line ⑦ directly to the adapter ③ or elbow ⑥ (clamping ring ⑧ and nut ⑨ are not required).
- Connect the water line to the shutoff valve.
- Briefly open the shutoff valve to vent the water line.



The position of the solenoid valve as shown in this diagram may differ from your appliance.

- Now connect the water line to the solenoid valve.
- Slowly open the shut-off valve in the water supply line and check the whole water system for leaks.
- The machine can now be connected to the power supply (see “Electrical connection”).

When pushing the machine into the niche, do not bend or damage the water line.

Electrical connection



Danger of electric shock!

The appliance must only be switched on when it has been installed in accordance with the installation instructions.

Ground the appliance.

The appliance must not be grounded via a gas pipe.

If in doubt, have a suitably qualified and experienced electrician check that the installation complies with relevant regulations.

Do not install a fuse into neutral current or grounding electrical circuit.

Do not use extension cords or ungrounded (two prong) adapters.

Do not use a frayed or damaged power cord.



Danger of electric shock!

For protection against electric shock this appliance is equipped with a pole-free plug which is protected against reverse polarity. The plug must be grounded in the usual way.

Do not remove the round grounding connector pin from the plug.

Use only a grounded plug adapter.

Wait for 1 hour after installation before plugging the appliance into the power supply. This allows coolant and refrigerator oil to settle in accordance with regulations.

Ensure that the voltage of the main power supply corresponds with the connection voltage of the appliance. A power supply of 110 - 120 V, 60 Hz and 15 Amp (20 Amp for side-by-side installation) with a NEMA 5-15 molded plug, which is protected by a main switch or a fuse, is required to operate the appliance.

The manufacturer recommends operating the appliance on a separate circuit to avoid overloading the electrical circuit.

All relevant legal electrical, fire and building regulations must be observed when installing the socket and/or the appliance.

In certain countries appliances are required to be connected to the electrical supply via a wall-mounted ON/OFF switch.

To avoid the risk of fire, electric shock or other injuries installation and connection of the appliance must be carried out by a suitably qualified electrician in accordance with all relevant local and national regulations and standards, including fire prevention.

Installation

The outlet must be easily accessible in an emergency so that the appliance can be quickly disconnected from the electrical supply in case of an emergency.

The socket must be located so that the upper edge is a maximum 82" (2100 mm) distance from the upper edge of the base of the kitchen cabinet.

If the outlet is no longer accessible once the appliance has been installed, an all-pole disconnect device with a contact opening of at least 1/8" (3 mm) must be present on site. The disconnect device may be circuit breaker, a fuse, or a contactor (compliant with local regulations).

The plug and power cord must not come into contact with the back of the appliance as vibrations can cause damage to these components. This, in turn, could result in a short circuit.

Do not plug in other devices behind this appliance.

Temporary or permanent operation on an autonomous power supply system or a power supply system that is not synchronized with the grid power supply (e.g., island networks, back-up systems) is possible. A prerequisite for operation is that the power supply system complies with the specifications of EN 50160 or an equivalent standard. The function and operation of the protective measures provided in the domestic electrical installation and in this Miele product must also be maintained in isolated operation or in operation that is not synchronized with the grid power supply, or these measures must be replaced by equivalent measures in the installation. As described, for example, in the current version of VDE-AR-E 2510-2.

If the power cord needs to be replaced, this must be done by a qualified technician.

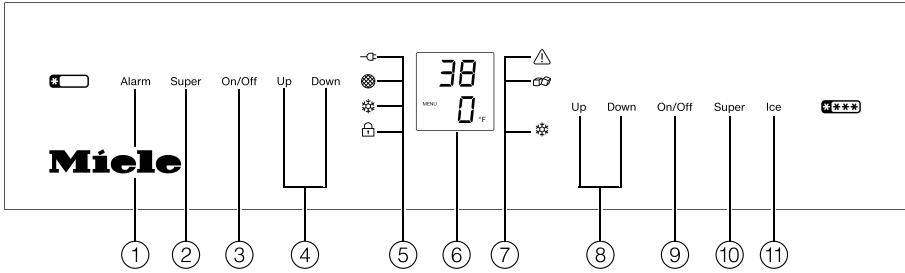
Saving energy

	Normal energy consumption	Increased energy consumption
Installation / Maintenance	In a well-ventilated room.	In an enclosed, poorly ventilated room.
	Protected from direct sunlight.	In direct sunlight.
	Away from heat sources (radiator, range/oven).	Near a heat source (radiator, oven).
	Where the ideal room temperature is approx. 68°F (20°C).	Where the ambient room temperature is above 77°F (25°C).
	Air vents uncovered and dusted regularly.	Where the ventilation openings are blocked and full of dust.
Temperature setting	39°F to 41°F (4°C to 5°C) in the refrigerator section	The lower the temperature in the appliance, the higher the energy consumption.
	PerfectFresh zone 32 °F (0 °C)	
	0°F (-18°C) in the freezer section	

Saving energy

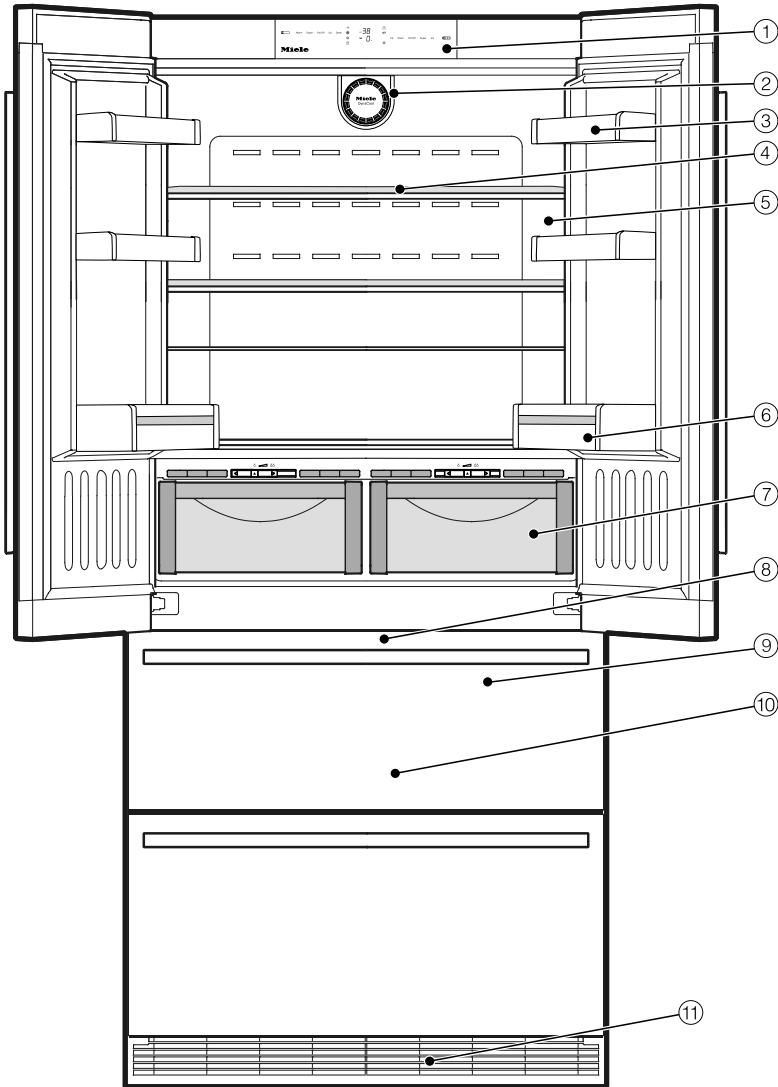
	Normal energy consumption	Increased energy consumption
Use	The drawers, and shelves are arranged as they were when the appliance was delivered.	
	Only open the door when necessary and for as short a time as possible. Store food in an organized way.	Frequent opening of the door for long periods will cause a loss of coldness. The appliance will try to cool down and the compressor will run for longer periods.
	When shopping, use a cooler bag and place the food in the appliance as soon as possible. Replace any food removed as quickly as possible, before it warms up too much. Allow hot food and drinks to cool down before placing them in the appliance.	Hot food or food at room temperature raises the temperature inside the refrigeration appliance. The appliance will try to cool down and the compressor will run for longer periods.
	Store food well packaged or covered.	The evaporation or condensation of liquids in the refrigerator section will cause a loss of coldness.
	Place frozen food in the refrigerator section to defrost.	
	Do not overfill the appliance in order to allow the air to circulate.	Poor air circulation will cause a loss of coldness.

Control panel



- ① For turning off the door or temperature alarm in the freezer section
- ② For turning the SuperCool function on and off
- ③ For turning the refrigerator section on and off
- ④ Sensor for setting the temperature in the refrigerator section (Up for warmer; Down for colder)
- ⑤ Check/fault indicators
 - Power failure \ominus
 - Air filter needs cleaning \otimes
 - SuperCool is turned on ❄️
 - The safety lock has been activated 🔒
- ⑥ Display with temperature indicators (top for the refrigerator section; bottom for the freezer section) and symbols (only visible when Settings mode MENU is active (see “Selecting additional settings”))
- ⑦ Check/fault indicators
 - Temperature alarm in the freezer section ⚠️
 - Ice cube maker is turned on 🧊
 - The SuperFreeze function is turned on ❄️
- ⑧ Sensor for selecting the temperature in the freezer section (Up for warmer; Down for colder)
- ⑨ For turning the freezer section on and off
- ⑩ For turning the SuperFreeze function on and off
- ⑪ For turning the ice cube maker on and off

Guide to the appliance



This drawing is for illustration purposes only.

* The PerfectFresh zone fulfills the requirements of a cold storage compartment according to EN ISO 15502.

- ① Control panel
- ② Fan (DynaCool)
- ③ Egg tray/Door shelf/Preserves shelf
- ④ Adjustable shelf
- ⑤ Refrigerator side lighting
- ⑥ Bottle shelf
- ⑦ PerfectFresh zone with adjustable moisture regulators and Info system
- ⑧ Freezer-section ceiling lighting
- ⑨ Automatic ice maker behind the drawer
- ⑩ Freezer drawers
- ⑪ Ventilation grille with air filter and water connection located behind it

Guide to the appliance

Accessories supplied

Air filter

The air filter behind the ventilation grille protects the cooling system from dust.

Ice cube scoop

Door opening angle limiter

The limiting pins supplied can be used to limit the opening angle of the appliance doors. This is advisable if for example the appliance doors collide with an adjacent wall.

Optional accessories

A range of useful Miele accessories and care products are available for your appliance.

Stainless steel maintenance

The **stainless steel cleaning cloth** is impregnated with stainless steel conditioner for optimum cleaning and protection.

Each application of the **Miele stainless steel conditioner** (supplied in a bottle) forms a water and dirt repellent protective coating. It gently removes water marks, fingerprints and other dirt for a uniformly shiny surface.

Accessories are available to order via the Miele Webstore or from your Miele dealer.
--

Before first use

Packaging material

- Remove all packaging material from the inside of the appliance.

Cleaning the refrigerator

Please refer to the relevant instructions in “Cleaning and care”.

- Clean the inside of the appliance and the accessories.

Allow the appliance to stand for approx. 1 hour prior to connecting it to the power supply. This will help prevent any malfunctions.

Operating the appliance

A light touch of the finger on the sensors is all that is required to operate this appliance.

Switching the appliance on

The refrigerator and freezer sections are separately controlled and can be turned on and off so that only one section is in use if necessary. This is useful, e.g. while on vacation if you only want the freezer section to remain on.




- Touch the sensor to switch the refrigerator or freezer section on or off, so that the relevant temperature appears in the display.

The appliance will start cooling.

The interior lighting will come on when the refrigerator section door or a freezer drawer is opened.

The temperature in the refrigerator section is shown in the top of the display and the temperature in the freezer section is shown in the bottom of the display.

If the temperature in the freezer section is not within the normal temperature display range (below 32 °F / 0 °C), dashes will flash in the display.


The alarm symbol  will also flash in the control panel until the selected temperature has been reached.

To enable the temperature to get sufficiently cold inside the appliance, allow the appliance to run for a few hours before placing food in it. Do not place food in the freezer until the temperature is at least 0 °F (-18 °C).

Switching on and off


Switching the appliance off



- To switch the refrigerator or freezer section on or off touch the sensor until the relevant temperature display goes out in the display. If this cannot be done, the safety lock is activated. The  symbol will appear in the control panel.


The interior lighting goes out and cooling is turned off.

Turning off for longer periods of time - Vacation mode

 If, during a long absence, the appliance is switched off but not cleaned and the door(s) left shut, there is a danger of bacteria building up inside the appliance. It is essential to clean the appliance.


If the appliance is not going to be used for a longer period of time, e.g. whilst on vacation:

- close the water shut-off valve.

If the indicator light for the ice cube maker  begins to flash, this means that there is still water remaining in the ice cube maker.

- Leave the ice cube maker turned on for another day so that the remaining ice cubes can be produced.



- When all remaining ice cubes have been produced, touch the On/Off sensor for the ice cube maker so that the indicator light for the ice cube maker  goes out in the right-hand side of the display.

If you are going to be away for longer than a month, please also:

- remove and dispose of the remaining ice cubes from the ice cube container,
- take any food out of the appliance and store it in a cool place,
- switch the appliance off,
- unplug the power cord or trip the circuit breaker,
- clean the appliance (see “Cleaning and care”),
- leave the door(s) ajar to air the appliance and avoid odors building up inside the appliance.

The correct temperature

It is very important to set the correct temperature for storing food in the appliance. Bacteria will cause food which is not stored at the correct temperature to deteriorate rapidly. Temperature influences the growth rate of these bacteria. Reducing the temperature reduces their growth rate.

The temperature in the appliance will rise:

- the more often the appliance door is opened and the longer it is kept open
- the more food that is stored in it
- the warmer the food is that is being put into it
- the higher the ambient temperature surrounding the refrigeration appliance is. The appliance is designed for use within specific ambient temperatures (climate range). Do not use in ambient temperatures for which it is not designed

We recommend a temperature of **39 °F (4 °C)** in the refrigerator section.

... in the refrigerator section and in the PerfectFresh zone

A temperature of **39°F (4°C)** is recommended in the refrigerator section.

The temperature in the PerfectFresh zone is controlled automatically, and is maintained at **32°F to 37°F (0°C to 3°C)**.

Automatic cold air circulation (Dyna-Cool)

The fan automatically turns on when the cooling system for the refrigerator section turns on. It distributes the temperature in the refrigerator section to all areas evenly so that all the food inside will be chilled to about the same degree.

... in the Freezer Zone

To freeze fresh food and to store frozen food for a long time, a temperature of **0°F (-18°C)** is required. At this temperature the growth of bacteria is generally halted. As soon as the temperature rises above 14°F (-10°C), the bacteria become active in the food again so it cannot be kept as long. For this reason, partially defrosted or defrosted food must not be re-frozen. Food may be re-frozen once it has been cooked (boiled or roasted), as the high temperatures achieved when cooking destroy most bacteria.

The correct temperature

Temperature display

In normal operation the display shows the **current average refrigerator temperature** and the current temperature **in the warmest part of the freezer**.

If the temperature in the freezer section is not within the normal temperature display range, dashes will flash in the display.

Depending on the ambient temperature and the temperature setting, it can take the appliance a few hours to reach the temperature required and for this temperature to then be shown as a constant temperature in the display.

Setting the temperature for the refrigerator and freezer

The temperatures for the refrigerator and the freezer are set separately using the buttons for the respective section.



- Set the desired temperatures using each of the buttons.

Tap

- Up to increase the temperature,
- Down to decrease the temperature.

The temperature display flashes while you set the new temperature.

When you tap the buttons, you will see the following changes in the display:

- When first tapped: The **last temperature selected** flashes.
- Every new tap: The temperature value changes in increments of 1 degree.
- Holding down the button will change the temperature value continuously.

Approximately 5 seconds after you release the button, the actual temperature in the appliance will be displayed.

If you have changed the temperature and the appliance is not very full, wait approx. 6 hours, if it is full, approx. 24 hours before checking the temperature display again. It will take that long to reach the selected temperature.

The correct temperature

If, after this amount of time, the temperature is too high or too low, you will need to adjust it again.


Adjusting the temperature in the PerfectFresh zone *b*

In the PerfectFresh zone the temperature is maintained between 32 °F (0 °C) and 37 °F (3 °C). However, if you would like it to be warmer or colder, e.g. when storing fish, you can adjust the temperature slightly.

The preset temperature in the PerfectFresh zone is 5. If a setting of between 1 and 4 is selected, minus temperatures may be reached, resulting in food freezing. Select a higher level.



- Touch the On/Off sensor for the SuperFreeze function for approx. 5 seconds.

The indicator light  in the right-hand side of the display will light up at this time and after approx. 5 seconds *S* will flash in the bottom (freezer section) temperature display. MENU will light up in the display. You are now in Settings mode.



- Touch one of the sensors for setting the temperature in the freezer section repeatedly until *b* flashes in the bottom temperature display.



- Touch the Super sensor again.

The last selected setting lights up in the display.



- You can now adjust the temperature from *b* 1 (lowest temperature) to *b* 9 (highest temperature) by touching the sensors for adjusting the temperature in the freezer section.



- Touch the Super sensor again to save the setting.



- Touch the on and off sensor for the freezer section to exit Settings mode.

The newly set temperature for the PerfectFresh zone will gradually be reached.

The correct temperature

Temperature range

The temperature can be selected within the following ranges:

- from 37 °F (3 °C) to 45 °F (7 °C) in the refrigerator section.
- from 7 °F (-14 °C) to -15 °F (-27 °C) in the freezer section.

The ambient temperature in the room and the installation location can affect the time it takes for the appliance to reach the lowest temperature.

If the ambient temperature is too high, the appliance may not reach the lowest temperature.

Using Automatic SuperCool and SuperFreeze

SuperCool function

The SuperCool function can be used to rapidly reduce the temperature in the refrigerator section to its lowest setting (depending on the room temperature).

Turning on SuperCool

SuperCool is particularly recommended for the fast chilling of large amounts of fresh food or drink.



- Touch the sensor for turning the SuperCool function on and off so that the ❄ indicator light in the left-hand side of the display lights up.

The appliance will work at full power to lower the temperature in the appliance.

Turning off SuperCool

The SuperCool function turns off automatically after approx. 6 hours. The appliance will then continue to work at normal power.

To save energy, the SuperCool function can be switched off once food and drinks are sufficiently chilled.



- Touch the sensor for turning the SuperCool function on and off so that the ❄ indicator light in the left-hand side of the display goes out.

The appliance will continue running at normal power.

Using Automatic SuperCool and SuperFreeze

SuperFreeze function

For best results, turn on SuperFreeze before putting fresh food into the freezer.

Fresh food will be frozen quickly, so that the nutritional value, vitamin content, appearance and taste are maintained.

Exceptions:

- if you have already put frozen food into the freezer.
- when freezing up to 2.2 lbs (1 kg) fresh food daily.

Turning on SuperFreeze

When freezing small quantities of food in the freezer, the SuperFreeze function should be turned on **6 hours beforehand**. When freezing the **maximum load of food**, the SuperFreeze function should be turned on **24 hours beforehand**.



- Touch the sensor for turning the SuperFreeze function on and off so that the ❄ indicator light in the right-hand side of the display lights up.

The appliance will work at full power to lower the temperature in the freezer section.

Turning off SuperFreeze

The SuperFreeze function will switch itself off automatically after approx. 30 - 65 hours. The quantity of fresh food placed in the freezer will determine the duration before the SuperFreeze function switches off. The SuperFreeze ❄ symbol will go out and the appliance will run at normal power again.

To save energy, the SuperFreeze function can be turned off once a **constant** temperature of 0 °F (-18 °C) is reached inside the freezer section. Check the temperature inside the appliance.



- Touch the sensor for turning the SuperFreeze function on and off so that the ❄ indicator light in the right-hand side of the display goes.

The appliance now continues running at normal cooling capacity.

Selecting additional settings

Certain settings on the appliance can only be selected in Settings mode.

In Settings mode certain appliance functions can be selected and their settings altered.

Available settings

<i>S</i>	Turning Sabbath mode on and off
<i>c</i>	Activating and deactivating the safety lock
<i>l</i>	Function test for the ice cube maker (for Miele service use only)
<i>E</i>	Changing the size of the ice cubes (see "Making ice cubes")
<i>b</i>	Adjusting the temperature in the PerfectFresh zone (see "The correct temperature")
<i>a</i>	Setting the temperature unit: (Fahrenheit / Celsius)
<i>h</i>	Changing the brightness of the temperature display
<i>H</i>	Changing the door seal heater setting
<i>n</i>	Confirm cleaning of air filter (see "Cleaning and care")

Sabbath mode *S*

The appliance offers a Sabbath mode for the purposes of religious observance.

When Sabbath mode is turned on many functions in the appliance are switched off and can no longer be selected, but the cooling performance of the appliance is not affected in any way.

The following are turned off:


- the interior lighting when the appliance door or freezer drawer is opened,
- temperature and door alarm,
- the temperature display,
- SuperCool and SuperFreeze (if previously selected),
- the ice cube maker (if previously turned on).

The buttons for turning off Sabbath mode can be selected.

The Sabbath mode function will turn itself off automatically after approx. 120 hours.

Ensure that the appliance doors are properly closed, as visual and audible alarms are switched off.

Selecting additional settings

 **Danger of food contamination!**
Any interruption to the power supply during this time will not be shown in the display and the appliance will then restart in Sabbath mode. When this is ended, the power interruption will not be indicated in the display.
If there is an interruption to the power supply during Sabbath mode, check the quality of the food. Do not consume any defrosted food.

Turning on Sabbath mode



- Touch the On/Off sensor for the SuperFreeze function for approx. 5 seconds.

The ❄️ indicator light in the right-hand side of the display will light up during this time and S will flash in the bottom (freezer section) temperature display after approx. 5 seconds. MENU will light up in the display. You are now in Settings mode.



- Touch the Super sensor again.
5 7 lights up in the display.



- Touch the Super sensor again to confirm the setting.



- Touch the on and off sensor for the freezer section to exit Settings mode.

The S symbol will appear in the display when Sabbath mode is switched on. The interior lighting and symbols in the control panel also go out.

Turning off Sabbath mode



- Touch the On/Off sensor for the SuperFreeze function for approx. 5 seconds.

The ❄️ indicator light in the right-hand side of the display will light up during this time and S will flash in the bottom (freezer section) temperature display after approx. 5 seconds. MENU will light up in the display. You are now in Settings mode.



- Touch the Super sensor again.
5 7 lights up in the display.



- Touch the Super sensor again to confirm the setting.

The S symbol will go out in the display. In interior lighting and the control panel will come on again.

Selecting additional settings



- Touch the on and off sensor for the freezer section to exit Settings mode.


Safety lock

The lock can be activated to prevent the appliance being switched off by mistake.


Activating and deactivating the safety lock



- Touch the On/Off sensor for the SuperFreeze function for approx. 5 seconds.

The  indicator light in the right-hand side of the display will light up during this time and S will flash in the bottom (freezer section) temperature display after approx. 5 seconds. MENU will light up in the display. You are now in Settings mode.



- Touch one of the sensors for setting the temperature in the freezer section repeatedly until  flashes in the bottom temperature display.



- Touch the Super sensor again.

The following lights up in the display

- :


The safety lock has been activated, or

- :

the safety lock has now been deactivated.



- Touch the Super sensor again to save the setting.

The  symbol will appear in the control panel when the lock is activated.



- Touch the on and off sensor for the freezer section to exit Settings mode.



Selecting additional settings

Changing the temperature unit (Celsius / Fahrenheit)


The temperature can be displayed in either Fahrenheit (°F) or Celsius (°C).
The factory default is Fahrenheit °F.



- Touch the On/Off sensor for the SuperFreeze function for approx. 5 seconds.

The indicator light  in the right-hand side of the display will light up at this time and after approx. 5 seconds  will flash in the bottom (freezer section) temperature display. MENU will light up in the display. You are now in Settings mode.



- Touch one of the sensors for setting the temperature in the freezer section repeatedly until  flashes in the bottom temperature display.



- Touch the Super sensor again.

The following lights up in the display:

-  :

The temperature will now be displayed in degrees Celsius, or

-  F:

The temperature will now be displayed in degrees Fahrenheit.



- Touch the Super sensor again to save the setting.

The temperature will now be displayed in degrees Celsius or degrees Fahrenheit.



- Touch the on and off sensor for the freezer section to exit Settings mode.

Selecting additional settings


Changing the brightness of the temperature display h

The temperature display brightness can be adjusted to suit lighting conditions in the room.

The temperature display brightness can be adjusted in stages from h 0 (lighting off) to h 5 (maximum brightness).



- Touch the On/Off sensor for the SuperFreeze function for approx. 5 seconds.

The indicator light  in the right-hand side of the display will light up at this time and after approx. 5 seconds S will flash in the bottom (freezer section) temperature display. MENU will light up in the display. You are now in Settings mode.



- Touch one of the sensors for setting the temperature in the freezer section repeatedly until h flashes in the bottom temperature display.



- Touch the Super sensor again.

The last selected setting lights up in the display.



- By touching the sensors for setting the temperature in the freezer section you can alter the brightness of the temperature display between h 0 and h 5.
- Touch the Super sensor again to save the setting.



- Touch the on and off sensor for the freezer section to exit Settings mode.

Selecting additional settings

Changing the door seal heater setting *H*

If condensation builds up on the door seal for the refrigerator section doors, this can be eliminated by selecting the highest door seal heater setting (*H 1*).


The factory default is *H R* (middle setting).

Condensation will not usually form at an average ambient temperature and humidity.

If condensation should form on the door seal at higher air humidity and a lower ambient temperature, set the door seal heater temperature to the highest level.



- Touch the On/Off sensor for the SuperFreeze function for approx. 5 seconds.

The indicator light  in the right-hand side of the display will light up at this time and after approx. 5 seconds *S* will flash in the bottom (freezer section) temperature display. *MENU* will light up in the display. You are now in Settings mode.



- Touch one of the sensors for setting the temperature in the freezer section repeatedly until *H* flashes in the bottom temperature display.



- Touch the Super sensor again.

The last selected setting lights up in the display.



- You can alter the heater level by touching the sensors for setting the temperature in the freezer section:
 - *H R*: Middle heater setting (in the event of slight condensation on door seal)
 - *H 1*: Highest heater setting (in the event of heavy condensation on the door seal)
 - *H 0*: Heater is deactivated.

Selecting additional settings



- Touch the Super sensor again to save the setting.




- Touch the on and off sensor for the freezer section to exit Settings mode.

Temperature and door alarm

Your appliance is equipped with a warning system to ensure that temperature increases in the freezer section do not go unnoticed and also prevents energy from being wasted when a door is left open.


Temperature alarm


If the temperature in the freezer becomes too warm, the temperature display and the alarm symbol  will flash. An alarm will also sound.

The temperature the appliance is set at determines the temperature the appliance recognizes as being too warm.

The audible and visual signals are triggered, for example:

- when the appliance is turned on if the temperature in a temperature zone differs greatly from the set temperature
- if a lot of warm room air enters the freezer when food is being loaded, rearranged, or taken out
- when freezing large amounts of food at once
- when freezing fresh food which is still warm
- after a power failure
- if the appliance has a fault

The alarm will stop and the alarm symbol  will go out when the temperature reaches the correct level again. The temperature display will light up again constantly.

 Health risk caused by decomposing food.

If the temperature in the freezer remains above 0°F (-18°C) for a long time, the frozen food may start to defrost. This will reduce the storage life of the food.

Check whether the frozen food has started to defrost. If it has, use the food as soon as possible or cook it before freezing it again.


Switching the temperature alarm off early

If the acoustic alarm disturbs you, it can be switched off.



- Touch the alarm sensor.

The alarm will stop.

The alarm symbol  and the bottom temperature display will continue to flash until the set temperature has been reached in the freezer section.

Door alarm

The alarm will sound if the door or a freezer drawer is left open for more than 3 minutes.

As soon as the door or drawer is closed, the alarm sound will stop.

Turning the door alarm off early


If the acoustic alarm disturbs you, it can be switched off.




- Touch the alarm sensor.

The alarm will stop.


Storing food in the fridge zone

 Risk of fire from electrical appliances.

Operating electrical devices in the appliance can cause sparks to form. Do not operate any electrical devices inside the appliance.

 Risk of explosion due to flammable mixes of gases.

Electrical components can cause flammable mixes of gases to ignite. Do not store any explosive materials or products containing flammable propellants (e.g., spray cans) in the appliance. The spray cans in question can be identified by the contents printed on the can or by a flame symbol. Electrical components can cause escaping gases to ignite.

 Risk of damage due to greasy or oily foods.

If storing food which contains a lot of fat or oil in the appliance or the door, make sure that it does not come into contact with plastic components as this could cause stress cracks or break the plastic.

Make sure that no fat or oil leaks onto the plastic parts of the appliance.

Different storage zones

Due to natural air circulation, there are different temperature zones in the refrigerator section.

Cold, heavy air sinks to the lowest section of the refrigeration section. Make use of the different zones when placing food in the appliance.

Tip: To allow air to circulate efficiently, do not pack food too closely together in the refrigerator.

If there is insufficient air circulation, the cooling performance will decrease and energy consumption will increase.

Do not cover the fan in the rear wall of the appliance.

Tip: Do not store food in such a way that it touches the rear wall of the refrigerator section as it may freeze to the rear wall.

This appliance has DynamicCooling, which helps to keep an even temperature when the fan is running. When DynamicCooling is turned on, the difference between the various zones is less pronounced.

Storing food in the fridge zone

Warmest area

The warmest area in the refrigerator section is in the top section of the door. Use this for storing butter so that it remains spreadable and cheese so that it retains its flavor.

Coldest area

The coldest area in the refrigerator section is directly above the PerfectFresh zone dividing plate and at the back of the appliance. The temperature in the PerfectFresh zone compartments is even colder.

Use these areas in the refrigerator section and in the PerfectFresh zone for all delicate and highly perishable food, e.g.:

- fish, meat, poultry
- cold cuts, ready-made meals
- dishes or baked goods containing eggs or cream
- fresh dough, cake mixtures, pizza dough, or pie dough
- raw-milk cheese and other raw-milk products
- pre-packed vegetables
- other fresh food (with a label stating it should be kept at a temperature of approximately 39°F (4°C))

Food which is not suitable for storage in the fridge zone

Not all food is suitable for refrigeration at temperatures below 40°F (5°C) because it is sensitive to cold.

Foods which are sensitive to cold include:

- pineapples, avocados, bananas, pomegranates, mangoes, melons, papayas, passion fruit, citrus fruits such as lemons, oranges, mandarins, grapefruits
- fruit (which is not yet ripe)
- eggplant, cucumbers, potatoes, peppers, tomatoes, zucchini
- hard cheeses (e.g., Parmesan)

Storing food in the fridge zone

Notes on buying food

The freshness of the food when it is first placed in the appliance is the most important factor for how long it stays fresh.

Take into account the use-by date and the correct storage temperature.

Time out of the fridge, e.g., transporting food in a warm car, should be kept to a minimum.

Storing food correctly

Ensure that food stored in the refrigerator section is in packaging or covered properly (some exceptions apply in the PerfectFresh zone). This will prevent food smells from affecting other food, food from drying out, and also any cross-contamination of bacteria. This is particularly important when storing meat products. Make sure that foods such as raw meat and fish in particular do not come into contact with other food.

By ensuring that the temperature settings are correct and by taking appropriate hygiene measures you can prolong the storage life of your food considerably and avoid food waste.

Storing food in the PerfectFresh zone

The PerfectFresh zone provides ideal storage conditions for fruit, vegetables, fish, meat, and dairy products. Food stays fresh considerably longer while retaining both flavor and vitamins.

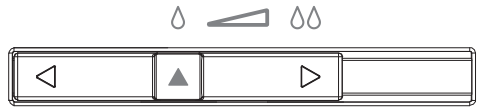
The temperature in the PerfectFresh zone is controlled automatically, and is maintained at 32°F to 37°F (0°C to 3°C). While lower than the temperature in a standard refrigerator section, this is the optimum temperature range for storing fresh food which is not sensitive to cold. The deterioration process is decelerated at this temperature range so food can be stored without loss of freshness for considerably longer than in a standard refrigerator.

The humidity level in the PerfectFresh zone can also be regulated to suit the food being stored. Food retains its own moisture if stored at a higher humidity and so does not dry out as quickly. This allows it to stay crisp and fresh for longer.

Remember that the fresher the food when it is placed in the appliance, the longer it will stay fresh!

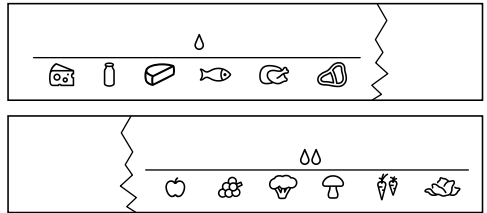
Take food out of the PerfectFresh zone approximately 30 to 60 minutes before using it. The aroma and taste do not fully develop until the food has reached room temperature.

Regulating the humidity level in the compartments



- Move the slide control to the desired setting, depending on whether you wish to use the compartment as a dry Δ or a humidity-controlled $\Delta\Delta$ compartment

The **Info system** in the glass plate above the PerfectFresh zone helps you select the appropriate setting in the compartments.



Each type of food has its own characteristics which determine the specific storage conditions it requires.

High humidity $\Delta\Delta$ can cause condensate to build up on the floor of the compartment.

This should be removed with a cloth.

Storing food in the PerfectFresh zone

Using a compartment as a dry compartment

If the slide control is set to **dry** Δ, air humidity is not increased.

The dry compartment is suitable for storing perishable foods such as:

- Fresh fish and shellfish
- Meat and poultry
- Deli salads
- Dairy products such as yogurt, cheese, cream, etc.
- Any type of food can in fact be stored in this compartment, as long as it is packaged.

The most important aspect of the dry compartment is its low temperature. The humidity level is similar to that in a conventional refrigerator.

Please note that foods rich in protein deteriorate faster than others. Shellfish, for example, deteriorates faster than fish, and fish deteriorates faster than meat.

Always keep these foods **covered or wrapped**.

Using a compartment as a humid compartment

If the slide control is set to **humid** ΔΔ, air humidity is increased.

The humid compartment is particularly suitable for storing fruit and vegetables.

The level in the humidity-controlled compartment is determined by the type and quantity of food being stored when it is **not packaged**.

If the quantity of food being stored in this compartment is small, the moisture level may be too low.

Tip: If you are only storing a small amount of food, wrap it in airtight packaging.

Storing food in the PerfectFresh zone

If you are not satisfied with your stored food (for example the food wilts or becomes withered after only a short storage time), check the following:

- Only place fresh food in the appliance.
- Clean the PerfectFresh compartments before storing food in them.
- Very wet food should be dried off before storing it.
- Do not store any food in the PerfectFresh zone which is sensitive to cold (see “Food which is not suitable in the refrigerator section”).
- Set the slide control to the correct position for the food being stored (humidity not increased or humidity increased).
- Increased humidity $\Delta\Delta$ in the humidity controlled compartment is achieved via the moisture present in the food being stored, i.e. the more food stored in the compartment, the higher the humidity.
If too much moisture has gathered on the floor of the compartment and the food has been affected, select the $\Delta\Delta$ setting.
Otherwise dry the floor and underneath the lid with a cloth and place a rack or similar item in the compartment so that moisture can then drip down.
If the humidity level becomes too low, wrap the food in airtight packaging.
- If you think that the temperature in the PerfectFresh zone is not correct, try adjusting it slightly by 34-35 °F (1-2 °C) via the refrigerator section temperature control. To avoid frost damage to food, a higher temperature must be set if ice crystals begin to form on the bottom of the PerfectFresh zone.

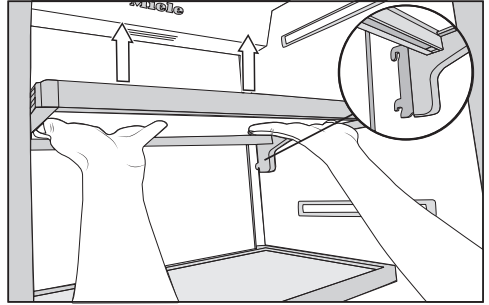
Adjusting the interior fittings (refrigerator section)

Adjusting the door shelf/bottle shelf

Only move the door shelves/bottle shelves in the door when they are empty.

- Push the door shelf/bottle shelf upward, then remove it by pulling it forward.
- Replace the shelf at the required height. Ensure that it is securely pushed back into position.

Removing or moving the shelves



- Hold the shelf on both sides and raise it slightly so that it can be lifted with the catches over the guide at the back.
- Pull the shelf forward.
- Remove the shelf or place it in the required position, with the catches engaged at the back.
- Make sure that the shelf is straight.

Please note that you will not be able to remove the shelves if the appliance doors can only open 95°. Remove the locking pins from the top of the hinges to adjust the angle.

Removing the glass plate above the PerfectFresh Pro zone

The glass plate above the PerfectFresh zone can be removed for cleaning.

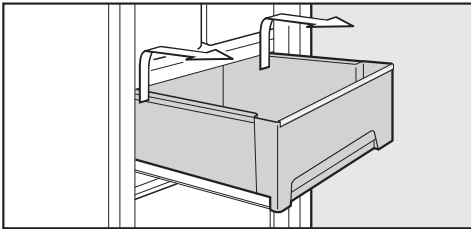
- Carefully take hold of the glass plate right and left from underneath and lift it upwards and out.

Adjusting the interior fittings (refrigerator section)

PerfectFresh zone compartments

The compartments in the PerfectFresh zone are on telescopic rails, and can be removed for filling, emptying or cleaning purposes:

- Pull out the compartment as far as it will go.



- Holding the sides of the compartment at the back, lift it up and then forwards and out.

Push the runners back in again to avoid damaging them.

Take care when cleaning the appliance that you do not wash the special lubricant out of the telescopic rails.

Wipe them with a well-wrung out damp cloth only.

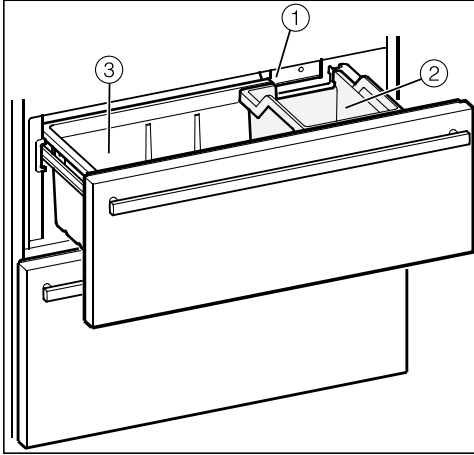
To replace the drawer:

- Place the drawer on the fully retracted telescopic runners.
- Push the drawer in until it clicks into place.

Adjusting the interior fittings (freezer section)

Freezer drawers

Both freezer drawers can be used for freezing and storing food.



The ice cube maker ① is located above the upper drawer on the right side.

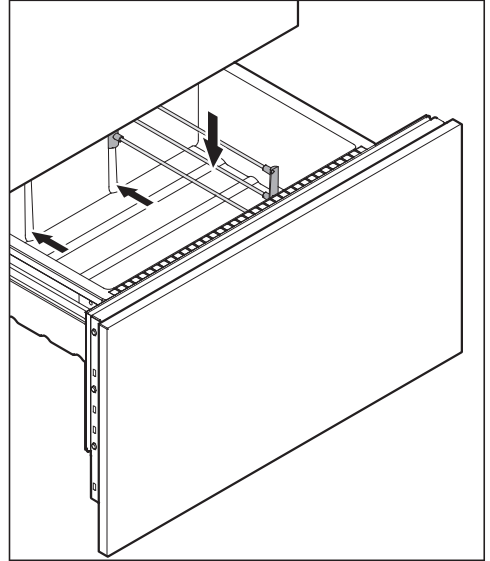
The ice cube container ② can be easily removed if required.

If you wish to use the whole of the top freezer drawer ③ for storing food, remove the ice cube container ② and turn off the ice cube maker.

The lower freezer drawer is used for freezing fresh food and storing frozen food. The drawer can also be used to store ice cubes.

Moving the dividing grille in the lower freezer drawer

The dividing grille in the lower freezer drawer can be repositioned according to your wishes:

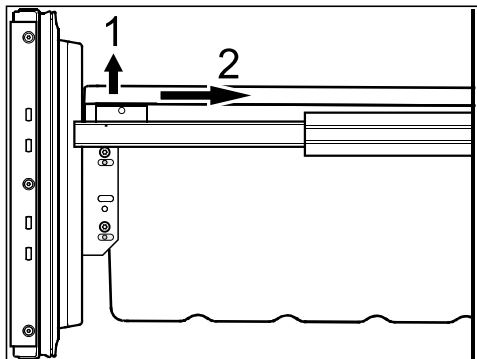


- Pull the lower freezer drawer out.
- Lift the dividing grill upwards and off and move it to the right or left, depending on your requirements.

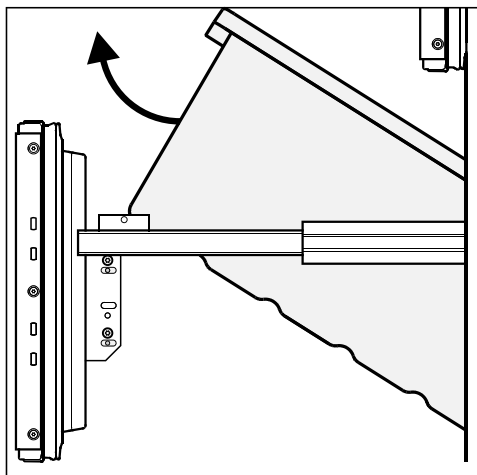
Adjusting the interior fittings (freezer section)

Removing the freezer drawer containers

The hanging containers in the freezer drawers can be removed.




- Lift the container forwards on both sides (1) and push it back slightly to unclip it (2).



- Remove the container upwards.
- Replace the container in the reverse order.

Freezing and storing food

Always observe USDA food safety guidelines.

 Risk of fire from electrical appliances.

Operating electrical devices in the appliance can cause sparks to form. Do not operate any electrical devices inside the appliance.

Maximum freezing capacity

To ensure that fresh food placed in the freezer freezes through to the core as quickly as possible, the maximum freezing capacity must not be exceeded. The maximum freezing capacity for freezing within a 24-hour period is given on the data plate: "Freezing capacity ... lbs/24 hrs".

What happens when you freeze fresh food?

Fresh food should be frozen as quickly as possible so that the nutritional value of the food, its vitamin content, appearance and flavor are maintained.

Food which takes a long time to freeze will lose more water from its cells, which then shrink. During the defrosting process, only some of this water is re-absorbed by the cells. What this means in practice is that the food loses more moisture. You can see this in the large amount of water that collects around the food when it defrosts.

If food is frozen quickly, the cells have less time to lose moisture, so they shrink less. As there is not so much moisture loss, it is easier for the food to

reabsorb it during the defrosting process, and very little water collects around the defrosted food.

Storing frozen food

Never re-freeze partially or fully defrosted food. Defrosted food must only be re-frozen after it has been cooked.

When buying frozen food to store in your freezer, make sure to check:

- that the packaging is not damaged
- the expiration date
- the temperature at which the frozen food is being stored in the store

The length of time food can be kept is reduced if it has been stored at a temperature warmer than 0°F (-18°C).

- Buy frozen food at the very end of your shopping trip.
- Store it in the freezer compartment as soon as possible.

Home freezing

Only freeze food that is fresh and in good condition.

Tips for home freezing

- The following types of food are **suitable for home freezing**: fresh meat, poultry, game, fish, vegetables, herbs, fresh fruit, dairy products, baked goods, leftovers, egg yolks, egg whites, and a range of pre-cooked meals.
- The following types of food **are not suitable for freezing**: lettuce, radishes, sour cream, mayonnaise, whole eggs in their shells, onions, whole raw apples and pears.
- To retain color, taste, aroma, and vitamin C, vegetables should be blanched before they are frozen. To do so, place them portion by portion into boiling water for 2–3 minutes. Then, remove and plunge the vegetables into ice-cold water to cool quickly. Leave the vegetables to drain.
- Lean meat freezes better than fatty meat and can be stored for considerably longer.
- Separate chops, steaks, cutlets, etc. with a sheet of plastic freezer film. to prevent them from freezing together in a block.
- Do not season raw food or blanched vegetables with herbs or salt before freezing. Cooked food should only be lightly seasoned. The flavor of some herbs intensifies when frozen.

- Placing hot food or drink in the freezer causes food that is already frozen to partially thaw and increases energy consumption. Allow hot food and drink to cool down before placing it in the freezer.

Packaging food for freezing

- Freeze food in portions.
 - **Suitable packaging**
 - Plastic films
 - Freezer bags
 - Aluminum foil
 - Freezer containers
 - **Unsuitable packaging**
 - Packing paper
 - Parchment paper
 - Cellophane
 - Garbage bags
 - Plastic shopping bags
 - Remove as much air as possible from the packaging before sealing.
 - Close the packaging tightly with
 - rubber bands,
 - bag clips,
 - string or bag ties, or
 - freezer tape.
- Tip:** Freezer bags and poly tubing may also be sealed using home heat sealing kits.
- Label the packaging with the contents and the date of freezing.

Freezing and storing food

Before placing food in the freezer

- When freezing more than 4.4 lb (2 kg) of fresh food, switch on the SuperFrost function for 24 hours before placing the food in the freezer (see “Using Automatic SuperCool and SuperFrost”).

This helps frozen food which is already stored in the freezer to stay frozen.

Placing food in the freezer

- When placing items in the freezer, ensure that the packaging and containers are dry to prevent them from sticking together when frozen.

Unfrozen food should not touch frozen food as this will cause frozen food to begin to thaw.

Food to be frozen can be placed anywhere in the freezer.

Defrosting frozen goods

Never re-freeze partially or fully defrosted food. Defrosted food may only be re-frozen after it has been cooked.

Frozen food can be defrosted in different ways:

- In a microwave
- In an oven using “Convection” or the “Defrost” setting
- At room temperature
- In the Fridge Zone (the cold given off by the frozen food helps to keep the other food cold)
- In a steam oven

Flat pieces of partially thawed meat or fish can be placed directly into a hot skillet.

Meat and poultry (e.g., hamburgers, chicken, fish) should not come into contact with other foods while defrosting. Catch the defrosting liquid and dispose of it carefully.

Fruit can be thawed at room temperature, either in the packaging or in a covered bowl.

Most vegetables can be cooked while still frozen. Just put straight into boiling water or hot grease. The cooking time is slightly less than that of fresh vegetables due to changes in the cell structure.


Cooling drinks quickly

To cool drinks quickly, place them in the refrigerator section, and switch on the SuperCool function.

When cooling drinks quickly in the freezer, make sure bottles are **not left in for more than one hour**; otherwise they could burst.

Making ice cubes

For the automatic ice cube maker to operate, it must be connected to a water supply (see “Installation – Water supply”).

 Risk to health due to contaminated water.

Consuming polluted water can lead to illnesses.

The first 3 batches of ice cubes made after the ice cube maker is started up must not be consumed, as the water will have been used for the initial rinsing of the water supply line.

This applies to the initial commissioning as well as when using the appliance again after it has been turned off for a long while.

As soon as the water is frozen, the ice cubes drop out of the ice maker into the ice cube container. When a certain volume is reached, ice cube production is automatically stopped.

The ice maker will only produce ice cubes when both freezer drawers are properly closed!

After initial commissioning, it might take up to 24 hours until the first ice cubes are produced.

The ice maker can make up to 100–120 ice cubes in 24 hours (at a freezer temperature of 0°F (-18°C)).


The amount of ice cubes which the appliance makes depends on the temperature in the freezer.

Turning on the ice maker


Only make normal domestic quantities of ice cubes with the ice maker.


- Check whether the faucet of the water supply line is open.



- Touch the sensor for turning the ice maker on and off so that the indicator light for the ice maker  lights up in the right-hand side of the display.

If it was not turned on before, the freezer section now turns on automatically.


- If you want to make the maximum amount of ice cubes (up to 150 ice cubes/24 hours), turn on the  SuperFrost function beforehand. Please note, however, that this will increase the energy consumption of the refrigeration appliance.

If the ice maker  indicator light flashes, the ice maker has an insufficient supply of water. Check that the water inlet is open.

Turning off the ice cube maker


The ice cube maker can be switched off independently of the freezer section if you do not want the appliance to make any ice cubes.



- Touch the sensor for turning the ice cube maker on and off so that the indicator light for the ice cube maker  goes out in the right-hand side of the display.


If the ice cube maker is going to be switched off for a long period of time

- close the water shut-off valve.

If the indicator light for the ice cube maker  begins to flash, this means that there is still water remaining in the ice cube maker.


- Leave the ice cube maker switched on for another day so that the remaining ice cubes can be produced.



- As soon as the remaining ice cubes have been produced, touch the sensor for turning the ice cube maker on and off so that the indicator light for the ice cube maker  goes out in the right-hand side of the display.
- Take the remaining ice cubes out of the ice cube container and dispose of them.



Changing the size of the ice cubes E

The size of the ice cubes produced depends on the volume of the water intake which you can set according to your requirements. To make larger ice cubes, the volume of the water intake must be increased.


A medium volume of water intake  is set as the factory default.



- Touch the On/Off sensor for the SuperFreeze function for approx. 5 seconds.

The indicator light  in the right-hand side of the display will light up at this time and after approx. 5 seconds  will flash in the bottom (freezer section) temperature display. MENU will light up in the display. You are now in Settings mode.



- Touch one of the sensors for setting the temperature in the freezer section repeatedly until  flashes in the bottom temperature display.



- Touch the Super sensor again.

The last selected setting lights up in the display.

Making ice cubes

Up Down



- The water volume set can be altered within the range of *E 1* to *E 8* by touching the sensors for setting the temperature in the freezer section.

Only change the water volume setting by one level and then observe the result. If the water volume is set too high, the ice cube tray in the ice cube maker can overflow!

Super




- Touch the Super sensor again to save the setting.

On/Off



- Touch the on and off sensor for the freezer section to exit Settings mode.

 **WARNING! DANGER** of injury and damage!

Do not use any mechanical or other types of aids which are not recommended by the manufacturer to accelerate the defrosting process.

Refrigerator section and PerfectFresh zone

The refrigerator section and the PerfectFresh zone defrost automatically.

Condensate and frost can build up on the back wall of the refrigerator section and the PerfectFresh zone while in use. You do not need to remove this, as it will defrost and evaporate automatically with the warmth generated by the appliance.


Freezer Zone


The appliance is equipped with a “NoFrost” system. The freezer defrosts automatically.


The moisture generated in the appliance collects on the condenser and is automatically defrosted and evaporates periodically.


This automatic defrosting system enables the freezer to remain permanently ice-free. However, the food stored in the freezer will not defrost.

Cleaning and care

 Danger of electric shock!
Unplug the appliance or disconnect it from the power supply.

 Fire hazard!
Do not let water get into the electronic unit or the lighting.

 Do not let water get into the electronic unit or the lighting.

 Steam from a steam cleaning appliance could reach the electrical components and cause a short circuit.
Do not use a steam cleaner!

The data plate located inside the appliance must not be removed. It contains information which is required in the event of a service call.

Cleaning agents

To avoid damaging the surfaces of your appliance, **do not** use:

- cleaning agents containing soda, ammonia, acids, or chloride
- cleaning agents containing lime scale remover
- abrasive cleaning agents, such as scouring powder, scouring liquid, or pumice stones
- cleaning agents containing solvents
- stainless steel cleaning agents
- dishwasher cleaner
- oven sprays
- glass cleaner
- hard, abrasive sponges and brushes, such as pot scrubbers
- eraser sponges
- sharp metal scrapers

Cleaning and conditioning agents used in the interior cabinet of the refrigeration appliance must be food safe.

We recommend using lukewarm water and a little liquid dish soap for cleaning.

Preparing the appliance for cleaning

- Switch the appliance off.

The temperature shown in the display will go out and the cooling system switches off.

- Unplug the appliance or trip the circuit breaker.
- Take any food out of the appliance and store it in a cool place.
- Remove the shelves/bottle shelf from the appliance door.
- Take out all other removable parts for cleaning.

Interior and accessories

Clean the appliance at least once a month.

Clean up any spills, stains or food immediately. Do not allow them to dry and stick to the appliance.

- Clean with lukewarm water and liquid dish soap. Clean all parts by hand only. Do not wash in the dishwasher.
- After cleaning, wipe with clean water and dry with a soft cloth.
- Leave the door open to air the appliance for a short while and to prevent odors building up.

Aluminum frames


The front panels on the shelves in the appliance door are made of aluminum.

The appearance of aluminum changes in different lights and environments and depending on the angle you observe it from. It is also susceptible to scratching.

The aluminum frames be damaged or discolored if dirt is left on for too long. Remove any dirt immediately.

Cleaning and care

Cleaning the door seal

 Risk of damage as a result of incorrect cleaning.

If you treat the door seal with oil or grease, it can become porous.
Do not use oil or grease on the door seal.

- The door seals should be cleaned regularly with clean water, and then wiped dry with a soft cloth.


Cleaning the ventilation gaps

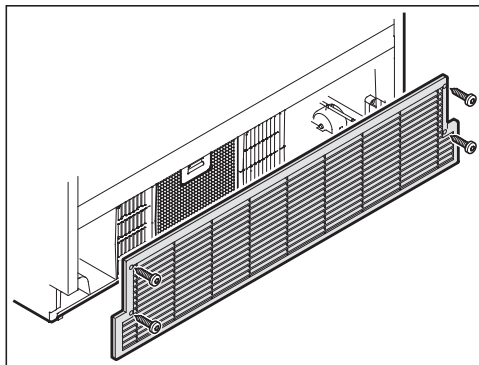
A build-up of dust will increase the energy consumption of the appliance.

- The ventilation gaps should be cleaned on a regular basis with a brush or vacuum cleaner (you could use a Miele Vacuum Cleaner dust brush, for example).

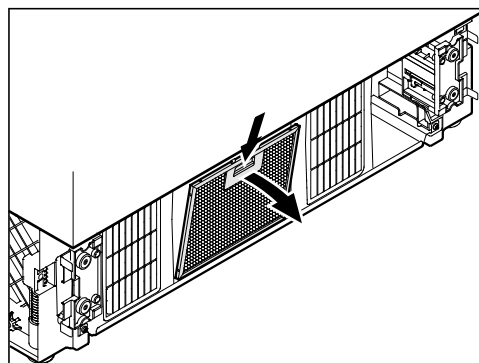
Changing the air filter

The reminder to change the air filter will be displayed at the latest every 6 months.


If the indicator light for the air filter  lights up in the control panel, the air filter needs to be cleaned.




- Pull out the lower freezer drawer completely.
- Unscrew the ventilation grille.



- Press down the tab on the air filter and remove it.
- Wash the air filter in the dishwasher or with a mild solution of warm water and liquid dish soap.


- Re-insert the air filter in the reverse order.
- Screw the ventilation grille back onto the front of the appliance plinth.
- Reset the indicator light for the air filter  as follows:

Confirm cleaning of air filter

When the air filter has been cleaned the indicator light for the air filter  in the display must be reset.





- Touch the On/Off sensor for the SuperFreeze function for approx. 5 seconds.

The indicator light  in the right-hand side of the display will light up at this time and after approx. 5 seconds S will flash in the bottom (freezer section) temperature display. MENU will light up in the display. You are now in Settings mode.





- Touch one of the sensors for setting the temperature in the freezer section repeatedly until *n* flashes in the bottom temperature display.



- Touch the Super sensor again.
n  lights up in the display, the  symbol lights up in the control panel.



- Touch the Super sensor again.
n lights up in the display, the indicator light for the air filter  will go out.

The indicator light for the air filter  has been reset.



- Touch the on and off sensor for the freezer section to exit Settings mode.

Cleaning and care

After cleaning

- Replace all shelves and accessories in the appliance.
- Reconnect to the power outlet and switch the appliance back on.
- Switch on the SuperFreeze function for a while so that the freezer section can cool down quickly.
- Switch on the Automatic SuperCool function for a while so that the refrigerator section can cool down quickly.
- Place food back in the appliance and close the door.
- Once the temperature in the freezer section is cold enough, you can place the food in the freezer drawers and return the drawers to the freezer.
- As soon as the freezer section reaches a constant temperature of at least 0°F (-18°C), press the SuperFreeze button to turn off the function.

Frequently asked questions

The majority of malfunctions and faults that occur during the daily routine can be put right without contacting the Service Department. The following guide will assist you to identify a malfunction or fault and rectify it yourself.

If, having followed the suggestions below, you still cannot resolve the problem, please contact Miele Technical Service.

To prevent unnecessary loss of temperature, it is advisable not to open the doors while waiting for the appliance to be serviced.



Unauthorized installation, maintenance and repairs can cause considerable danger for the user.

Installation, maintenance and repairs must only be carried out by a Miele authorized technician.

Problem	Possible cause and solution
<p>The appliance is not getting cold and the interior lighting does not come on when the refrigerator doors or freezer drawers are opened.</p>	<p>The appliance has not been switched on.</p> <ul style="list-style-type: none"> ■ Switch the appliance on.
	<p>The plug is not properly plugged into the electrical outlet.</p> <ul style="list-style-type: none"> ■ Insert the plug into the electrical socket.
	<p>Check whether the fuse has tripped. There could be a fault with the appliance, the household electrical wiring or another electrical appliance.</p> <ul style="list-style-type: none"> ■ Contact a qualified electrician or Miele Technical Service for assistance.
<p>The compressor is switching on more frequently and for longer periods of time, so the temperature in the appliance is dropping.</p>	<p>The temperature setting is too low.</p> <ul style="list-style-type: none"> ■ Correct the temperature setting.
	<p>A large amount of food is being frozen at once.</p> <ul style="list-style-type: none"> ■ See “Freezing and storing food”.
	<p>The SuperCool function is still switched on.</p> <ul style="list-style-type: none"> ■ To save energy, you can turn SuperCool off yourself.
<p>The SuperFreeze function is still switched on.</p> <ul style="list-style-type: none"> ■ You can turn off the Automatic SuperCool function earlier to save energy. 	

Frequently asked questions

Problem	Possible cause and solution
<p>The compressor is switching on more frequently and for longer periods of time; the temperature in the appliance is too low.</p>	<p>The ventilation grille in the appliance plinth is obstructed or too dusty.</p> <ul style="list-style-type: none"> ■ Do not block the ventilation grille. ■ Clean the ventilation grille on a regular basis.
	<p>The doors or freezer drawers have been opened too frequently, or a large amount of fresh food has been put in and/or frozen at once.</p> <ul style="list-style-type: none"> ■ Only open the doors and freezer drawers when necessary and for as short a time as possible. <p>After a while, the temperature will return to normal by itself.</p>
	<p>The doors or freezer drawers are not properly closed. A thick layer of ice may have formed in the freezer.</p> <ul style="list-style-type: none"> ■ Close the appliance doors or freezer drawers. <p>After a while, the temperature will return to normal by itself.</p> <p>If a thick layer of ice has formed, this will affect cooling and increase energy consumption.</p> <ul style="list-style-type: none"> ■ Defrost the appliance and clean it.
	<p>The refrigerator section doors will not close properly. The temperature in the appliance is too low.</p> <ul style="list-style-type: none"> ■ Check the refrigerator section doors and adjust them if necessary using the screws in the hinges. <p>Once the refrigerator section doors close properly, the appliance will automatically return to the required temperature after a while.</p> <ul style="list-style-type: none"> ■ Defrost the appliance and clean it.
	<p>The room is too warm. The higher the room temperature, the longer the compressor has to run.</p> <ul style="list-style-type: none"> ■ See “Installation location”.
	<p>The appliance was not properly installed in the niche.</p> <ul style="list-style-type: none"> ■ See “Installation - Building in the appliance”.


Frequently asked questions

Problem	Possible cause and solution
The freezer drawers will not open because it has been opened and closed too many times in succession.	This is not a fault. The suction caused by opening and closing the drawers is preventing the drawers from opening. Wait approx. 1 minute and then try again. They should now open without force.
Water is collecting on the door seal on the refrigeration section doors.	The combination of high air humidity and low ambient temperature can result in condensation forming on the door seals. <ul style="list-style-type: none">■ Ensure lower humidity or a higher temperature in the room.■ Increase the setting for the door seal heater (see “Selecting additional settings”).



Frequently asked questions

Problem	Possible cause and solution
The compressor runs continuously.	Not a fault. To save energy, the compressor runs at a lower speed when less cooling is required. This increases the compressor run time.
The compressor comes on less and less often and for shorter periods of time. The temperature in the appliance rises.	<p>This is not a fault. The temperature setting is too high.</p> <ul style="list-style-type: none"> ■ Correct the temperature setting. ■ Check the temperature again after 24 hours. <p>The food begins to thaw. The ambient temperature is too low for this appliance. If the ambient temperature is too low, the compressor will run less frequently. This may cause the freezer to become too warm.</p> <ul style="list-style-type: none"> ■ See the information in the section on “Installation – Installation location”. ■ Increase the ambient temperature.
Food has frozen together or to the wall.	<p>The food packaging was not dry when loaded in the freezer.</p> <ul style="list-style-type: none"> ■ Use a blunt instrument (such as a spoon handle) to carefully pry them apart.
An alarm sounds.	<p>The appliance door or a freezer drawer has been open for longer than 3 minutes.</p> <ul style="list-style-type: none"> ■ Close the appliance door and the freezer drawer.





Messages in the display

Message	Possible cause and solution
<p>The power failure symbol , appears in the control panel and dashes are lit up in the bottom temperature display.</p>	<p>The temperature in the appliance in the previous days or hours has risen too high because of a power cut or interruption to the power supply. The appliance will go back to the last temperature setting when the power is back on.</p> <ul style="list-style-type: none">■ Touch the Alarm sensor. <p>The warmest temperature recorded in the freezer section will flash for about 1 minute in the display. You can exit from the flashing temperature display early:</p> <ul style="list-style-type: none">■ Touch the Alarm sensor again.■ Depending on the temperature displayed, you should check the condition of food in the freezer. If it has defrosted or started to defrost, check that it is still safe to use and, if so, use it as soon as possible. Defrosted food may only be re-frozen after it has been cooked. <p>As soon as the temperature in the freezer section is within the range that can be displayed it will appear again in the temperature display.</p>

Frequently asked questions

Message	Possible cause and solution
<p>The freezer section temperature display and the Alarm symbol  flash. An alarm also sounds.</p>	<p>The temperature in the freezer section is too high. For instance, this could be due to:</p> <ul style="list-style-type: none">– the freezer drawers being opened too often,– a large quantity of fresh food has been placed in the freezer at once without turning on the SuperFreeze function,– a lengthy interruption to the power supply. <p>■ Rectify the cause of the alarm.</p> <p>The alarm will stop and the alarm symbol  will go out as soon as the temperature has dropped to the correct level again.</p> <p>■ Depending on the temperature displayed, you should check the condition of food in the freezer. If it has defrosted or started to defrost, check that it is still safe to use and, if so, use it as soon as possible. Defrosted food may only be re-frozen after it has been cooked.</p>

Messages in the display

Message	Possible cause and solution
Dashes are flashing in the temperature display.	Only temperatures within the range of the appliance temperature will be displayed. <ul style="list-style-type: none"> ■ Check the temperature in the display about 6 hours after switching the appliance on.
“F0 to F5” appears in the display.	There is a fault. <ul style="list-style-type: none"> ■ Contact Miele Technical Service.
The  symbol lights up in the display. You cannot switch the appliance off.	The safety lock has been activated. <ul style="list-style-type: none"> ■ Completely deactivate the safety lock (see “Selecting additional settings”, section “Activating and deactivating the safety lock”).
The air filter indicator light  lights up in the control panel.	This is a reminder to clean the air filter in the appliance plinth. <ul style="list-style-type: none"> ■ Clean the air filter (see “Cleaning and care”). The reset the indicator light  via Settings mode (see “Cleaning and care - Confirm cleaning of air filter”).
When the ice cube maker is turned on, the indicator light for the ice cube maker  flashes in the control panel.	The water intake is not open. <ul style="list-style-type: none"> ■ Open the water intake.

Frequently asked questions

Problems with the ice cube maker

Problem	Possible cause and solution
You cannot turn the ice cube maker on.	The appliance is not connected to the power supply or is not switched on. ■ Reconnect to the power supply and switch the appliance back on.
The ice cube maker does not produce any ice cubes.	The appliance or the ice cube maker is not turned on. ■ Turn on the appliance and the ice cube maker.
	The water intake is not open or has not been vented. ■ Open the water intake. ■ Check that the water supply has been vented.
	The drawers below the ice cube maker are not closed properly. ■ Push the drawers all the way in.
	The temperature in the freezer section is too high. ■ Select a lower temperature.
	The appliance doors or freezer drawers have been opened too frequently causing the compressor to turn on more often and the ice maker has iced up. ■ Only open the doors and freezer drawers when necessary and for as short a time as possible.
	Remember it can take up to 24 hours to produce the first ice cubes.

Frequently asked questions

Problems with the ice cube maker



Problem	Possible cause and solution
The ice cube maker is producing only small ice cubes.	<p>Several household appliances connected to the fresh water supply are in operation, which has reduced the amount of water being taken in.</p> <ul style="list-style-type: none">■ Avoid using the dishwasher, washing machine, etc. at the same time.
	<p>The size of the ice cubes depends on the quantity of water being taken in. You are able to set this quantity according to your wishes.</p> <ul style="list-style-type: none">■ To make larger ice cubes, increase the amount of water being taken in by the ice cube maker.
The ice cubes have an unpleasant odor or flavor.	<p>The ice cube maker is seldom used. If you do not use it very often, ice cubes that are stored for a long period can absorb the taste and smell of other items.</p> <ul style="list-style-type: none">■ Empty the ice cube container if you are not going to use the ice cube maker for a long time.■ Clean the ice cube container.
	<p>There are unsealed packages in the freezer section. Ice can absorb the taste and smell of unsealed food.</p> <ul style="list-style-type: none">■ Store only sealed food in the freezer section.
	<p>The ice cube container is dirty.</p> <ul style="list-style-type: none">■ Clean the ice cube container.

Frequently asked questions

Problems with the ice cube maker

Problem	Possible cause and solution
Water is flowing out of the appliance.	The water intake is faulty. <ul style="list-style-type: none">■ Close the water shut-off valve immediately!■ Check whether the water line is damaged.■ Check whether the water pressure is too high.■ Contact Miele Technical Service.
	Unduly high water pressure can cause leakages. <ul style="list-style-type: none">■ The water pressure must be between 22 and 87 psi (1.5 and 6 bar).

The interior lighting is not working.

Problem	Possible cause and solution
<p>The interior lighting is not working.</p>	<p>The refrigeration appliance has not been turned on.</p> <ul style="list-style-type: none"> ■ Turn the refrigeration appliance on. <p>To avoid overheating, the interior lighting switches itself off automatically after approximately 15 minutes if the appliance door is left open. If this is not the cause, there is a fault.</p> <div style="border: 1px solid gray; padding: 5px; margin: 5px 0;"> <p> Risk of electric shock due to exposed, live electrical components.</p> <p>When removing the lighting cover, there is a risk of coming into contact with live electrical components.</p> <p>Do not remove the lighting cover. The LED lighting may only be repaired or replaced by Customer Service.</p> </div> <div style="border: 1px solid gray; padding: 5px; margin: 5px 0;"> <p> Risk of injury from LED lighting.</p> <p>This lighting corresponds to risk group RG 2. If the cover is defective, there is a risk of eye injury.</p> <p>If the lighting cover is defective, do not look from a close range directly into the lighting with optical instruments (e.g., magnifying glass or similar).</p> </div> <ul style="list-style-type: none"> ■ Contact Customer Service.

Causes of noises

Normal noises	Cause
Brrrrr...	A humming noise is made by the motor (compressor). This noise can get louder for brief periods when the motor switches on.
Blub, blub...	A gurgling noise can be heard when the coolant circulates through the pipes.
Click...	Clicking sounds occur whenever the thermostat switches the motor on or off.
Sssrrrrr...	On multi-zone or frost-free appliances you can sometimes just hear the sound of the fan inside the appliance.
Crack...	A cracking sound can be heard when materials expand inside the appliance.

Please bear in mind that a certain amount of noise is unavoidable (from the compressor and the coolant circulating through the system).

Noises that you can easily eliminate	Possible cause	Solution
Rattling, clinking	The appliance is uneven.	Realign the appliance by using a spirit level and raising or lowering the screw feet underneath the appliance.
	The appliance is touching another appliance or piece of furniture.	Move it away.
	Drawers, baskets or shelves are jiggling or are stuck.	Check all removable items and refit them correctly.
	Bottles or containers are touching.	Separate them.
	The transport cord clip is still hanging on the back of the appliance.	Remove the clip.

Technical service

In the event of a fault which you cannot easily correct yourself, please contact:

- your Miele dealer or
- Miele Technical Service.

Contact details can be found in the back of these operating and installation instructions.

Please quote the model and serial number of your appliance when contacting Miele.

This information is given on the data plate inside your appliance.

Warranty

For additional information, please refer to your warranty booklet.

See the end of these operating and installation instructions for this telephone number.

**Please have the model and serial number
of your appliance available when
contacting Customer Service.**

U.S.A.

Miele, Inc.

National Headquarters

9 Independence Way
Princeton, NJ 08540
www.mieleusa.com

Customer Support

Phone: 888-99-MIELE (64353)
info@mieleusa.com

International Headquarters

Miele & Cie. KG
Carl-Miele-Straße 29
33332 Gütersloh
Germany

Canada

**Importer
Miele Limited**

Headquarters and Miele Centre

161 Four Valley Drive
Vaughan, ON L4K 4V8
www.miele.ca

Customer Care Centre

Phone: 1-800-565-6435
905-532-2272
customercare@miele.ca

KFNF 9959 iDE

en - US, CA

M.-Nr. 12 186 600 / 03