

THE BENCHMARK MACHINES

OPL | ON-PREMISE LAUNDRY



No Heater



Steam Indirect



Electric Heating



7 Years
Warranty



PWM 916 | 35 lbs. PERFORMANCE PLUS

FEATURES

- M Touch Pro Plus freely programmable color display
- Short program cycles
- Patented Honeycomb Drum 2.0
- 3D imbalance monitoring
- G-force of 462
- High durability: tested for 30,000 operating hours
- Safe disinfection
- Low consumption values



Patented Honeycomb Drum 2.0

The scoop rib perforations in the Honeycomb Drum 2.0 cause water to shower down on the load, guaranteeing thorough soaking.



Short Program Cycles

Premium commercial technology allows you to benefit from quick and efficient program cycles.



EcoSpeed Patented Wash Process

The EcoSpeed washing process features an optimized drum rhythm and enhanced washing action, allowing intensive cleaning performance with reduced water usage.



Proven Hygiene

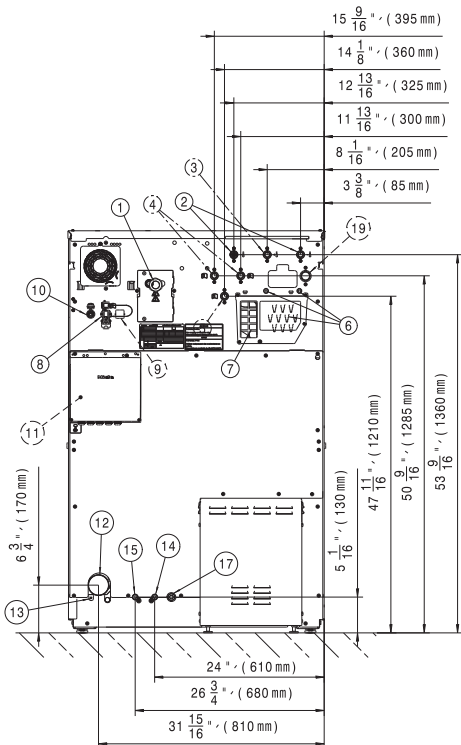
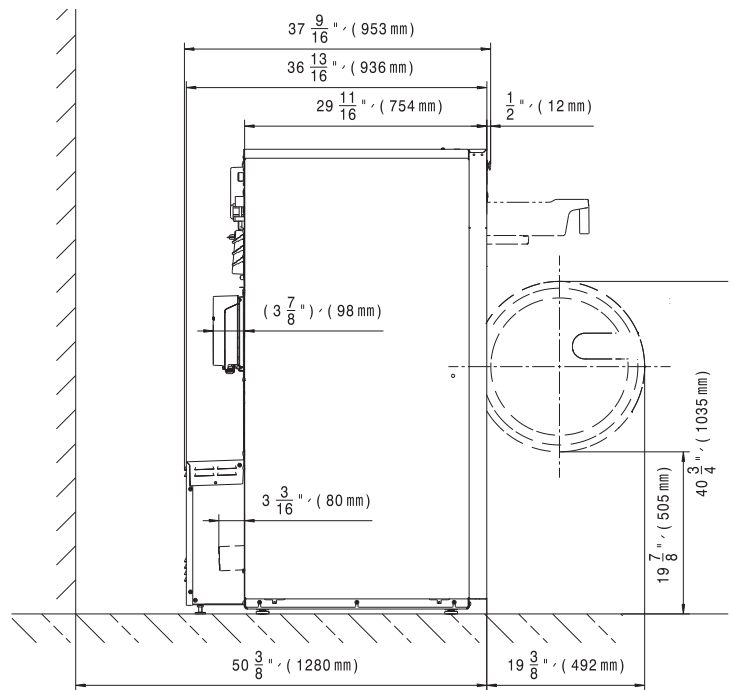
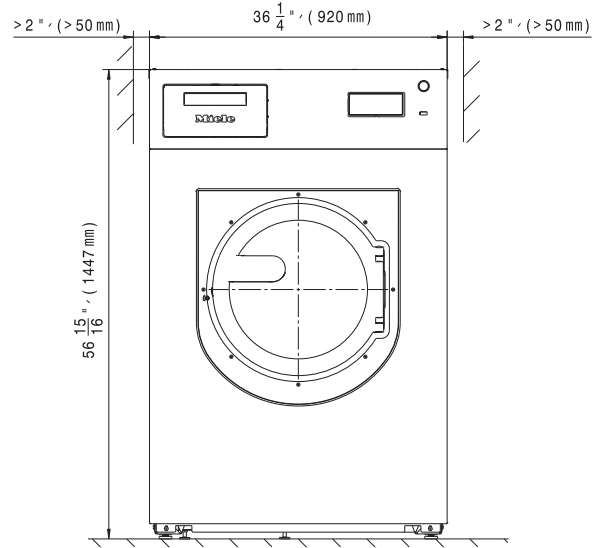
Our washing machines in the Benchmark series remove more than 99.9% of all viruses (including coronaviruses).*

*May not apply for No Heater version.

Model	Heat Type	Electrical Specification Voltage/Hz/Phase (Amp)	Color	Material No.	Article No.
PWM 916	No Heater	240/60/1 (2 x 20 A)	Iron Grey	11803210	51916026NAM
PWM 916	No Heater	240/60/1 (2 x 20 A)	Stainless Steel	11803130	51916059NAM
PWM 916	Steam	240/60/1 (2 x 20 A)	Iron Grey	11803280	51916027NAM
PWM 916	Steam	240/60/1 (2 x 20 A)	Stainless Steel	11803260	51916049NAM
PWM 916	Steam	208, 240/60/3 (3 x 15 A)	Stainless Steel	12084550	51916032NAM
PWM 916	Electric	208, 240/60/3 (3 x 40 A)	Stainless Steel	11803110	51916017NAM

Specifications

Capacity	35 lbs. (15.5 kg)
Cylinder Diameter	16 ⁵ / ₁₆ in. (415 mm)
Cylinder Depth	14 ³ / ₁₆ in. (361 mm)
Cylinder Volume	4.9 cu.ft. (140 l)
Machine Dimensions (WxDxH)	36 ³ / ₈ x 37 ¹ / ₂ x 57 ¹ / ₁₆ in. (924 x 953 x 1,450 mm)
Door Opening	16 ⁵ / ₁₆ in. (415 mm)
Floor to Door	19 ⁷ / ₈ in. (505 mm)
Reversible Door	No
Shipping Dimensions (WxDxH)	43 x 44 ¹ / ₂ x 62 ³ / ₈ in. (1,090 x 1,130 x 1,585 mm)
Net Weight	771-845 lbs. (350-383 kg)
Crated Weight	822-895 lbs. (373-406 kg)
Wash Speed	38 rpm
Extract Speed	1,075 rpm
G-force	462
Water Inlets	6 x ³ / ₄ in. (153 x 19 mm)
Hot Water (No Heater version)	1 x 1 in. (26 x 26 mm)
Steam Inlets (Steam version)	2 x ¹ / ₂ in. (51 x 13 mm)
Drain Diameter	2 ³ / ₄ in. (70 mm)
Recommended Water Pressure	14.5 - 145 psi
Water Flow	52.8 gal/min. (200 l/min.)
Min. Recommended Distance Between Machines	2 in. (50 mm)
Agency Approvals	Intertek



Heating	Voltage (Voltage/Hz/Phase)	Wire	Circuit Breaker Amps	Running Amps	Total Power (kW)
No Heater	240/60/1	2 Wire + Ground	20	16	2.3
Steam	240/60/1	2 Wire + Ground	20	16	2.3
Steam	208, 240/60/3	3 Wire + Ground	15	8.2	2.3
Electric	208, 240/60/3	3 Wire + Ground	40	38.4	15.7

Specifications subject to change without notice or obligation.
Contact Miele USA at (800) 991-9380 or Miele Canada at (888) 325-3957 for dimensions not shown or for clarification.