







PW 6321 EL/EH

- en** Installation Plan Commercial Washing Machine
- fr** Mode d'emploi Repasseuses professionnelles


en 4
fr 19

Installation notes	4
Explanation of the safety notes and warnings on the machine	4
Installation requirements	4
General operating conditions	4
Installation	4
Electrical connection	5
Water connection	6
Cold-water connection	6
Hot water connection	6
Hard water connection	7
Drain valve	7
Water connection for variants with external heating (EH).....	8
Dispenser pump connections	8
Optional accessories	9
Payment system kit (BSK)	9
Peak-load negotiation kit (BSS).....	9
XKM RS232 communication module.....	10
Vapor and suds venting kit (APWM 063).....	10
Installation	11
Installation.....	11
Installation	13
Installation.....	13
Standard floor anchoring.....	14
Technical details	15
Electrical version and electrical data	15
Connection for equipotential bonding.....	15
Water connections	15
Cold water connection.....	15
Hot water connection EL.....	15
Hot water connection EH.....	16
Hard water connection	16
Waste water (drain valve).....	16
Securing the machine	16
Fasteners	16
Emissions	16
Machine data	16
Transport data.....	17

Explanation of the safety notes and warnings on the machine

	Read the operating instructions
	Read all the instructions, e.g., the installation instructions
	Warning, hot surfaces
	Warning, voltage up to 1000 volts
	Grounding
	Equipotential bonding

Installation requirements

 **WARNING:** The washing machine must be installed by Miele Service or by properly trained staff of an authorized dealer.

- ▶ This washing machine must be installed in accordance with all relevant regulations and standards. Local energy supplier regulations must also be observed.
- ▶ This washing machine must only be operated in a room that has sufficient ventilation and which is frost-free.

The washing machine should not be installed or operated in any area where there is a risk of explosion.

General operating conditions

This washing machine is intended only for use in a commercial environment and must only be operated indoors.

- Ambient temperature: 32-105°F (0-40°C)
- Relative humidity: non-condensing
- Maximum height above sea level of location site: 6500 ft (2000 m)

Depending on the nature of the installation site, sound emissions and vibration may occur.

Tip: Have the installation site inspected and seek the advice of a specialist in instances where increased noise may cause a nuisance.

Installation

This washing machine must be transported to its installation site using a suitable pallet truck. Remove the transport packaging.

The washing machine must be set up on a completely level, horizontal, and firm surface with the minimum stated load bearing capacity (see "Technical data").

Tip: A concrete floor is the most suitable installation surface for this machine. It is far less prone to vibration during the spin cycle than wooden floorboards or a carpeted surface.

The floor load created by the washing machine is the load exerted by the area of the machine in contact with and transferred to the installation surface.

The washing machine requires a gap of at least 2" (50 mm) on each side to allow for movement during operation. Please ensure a minimum distance of 15 3/4" (400 mm) is maintained between the rear of the appliance and the rear wall.

The washing machine must not be installed on a carpeted floor.

The feet of the washing machine must be secured to the fastening points on the floor using the fixtures and fastenings supplied.

The material provided is intended for use in bolting the machine to a concrete floor. If other floor types are present at the installation site, the fixtures and fastenings must be provided by the customer.

Electrical connection

The electrical connection must only be carried out by a qualified electrician who must ensure that all electrical work is carried out in accordance with applicable electrical regulations and standards.

- ▶ The washing machine must be connected to an electrical supply that complies with local and national regulations. Please also observe your insurance and energy supplier's regulations as well as any health and safety at work regulations.
- ▶ The required voltage, power consumption and specifications for external fusing are quoted on the data plate on the washing machine. Ensure that the supply voltage complies with the voltage quoted on the data plate before connecting the washing machine to the power supply.

Connection to a supply voltage other than the one quoted on the data plate can lead to functional faults and damage the washing machine.

If more than one voltage is quoted on the data plate, the washing machine can be converted for connection to the voltages stated.

- ▶ Conversion to a different voltage must only be carried out by a Miele Service engineer or by an authorized Service Dealer. The wiring instructions given on the wiring diagram must be followed. The washing machine can either be hard-wired or connected via a plug and socket that complies with national codes and regulations. For a hard-wired connection an all-pole isolation device must be installed on site.

en - Installation notes

For hard-wired machines connection should be made via a suitable switch with all-pole isolation which, when in the off position, ensures a 1/8" (3 mm) gap between all open contacts. These include circuit breakers, fuses and relays.

If the power supply cannot be permanently disconnected, the isolator switch (including plug and socket) must be safeguarded against being switched on either unintentionally or without authorization.

Tip: We recommend connection to the power supply via a suitable plug and socket which must be easily accessible for servicing and maintenance work after the machine has been installed.

► If it is necessary to install a residual current device (RCD) in accordance with local regulations, a type B residual current device (sensitive to universal current) must be used.

An existing type A residual current device (RCD) must be exchanged for a type B RCD.

Equipotential bonding must be in accordance with all national and local regulations.

Accessories for equipotential bonding are not supplied and need to be ordered separately.

Water connection

The washing machine must be connected to a water supply system in accordance with local and national safety regulations. It can be connected to the water supply without a non-return valve, if national standards permit.

The flow pressure must amount to a minimum of 100 kPa (14.5 psi) and must not exceed an overpressure of 1,000 kPa (145 psi). If the flow pressure is higher than 1,000 kPa (145 psi), a pressure reducing valve must be used.

The machine must be connected to the water connection using the water inlet hoses provided.

⚠ The connection points are subject to water connection pressure. Turn on the water supplies slowly and check for leaks. Correct the position of the seal and screw thread if appropriate.

Cold-water connection

For the cold-water connection one shut-off valve each with a 3/4" external thread is required. A connector (Y-piece) can be used if required to connect 2 water inlet hoses with a 3/4" screw thread to a single faucet with a 1" male thread.

The water inlet hose for cold water (blue stripes) is not intended to be used with a hot-water connection.

Hot water connection

To minimize energy consumption during operation with hot water, the washing machine should be connected to a suitable hot water ring circuit if present.

So-called “transmission lines” (single lines to hot water generators) can result in cooling down of the water remaining in the pipes if not in constant use. More electrical energy would be needed in order to heat the suds.

Use the water inlet hose supplied (red stripes) for the hot water connection.

The temperature of the hot water inlet must not exceed 158°F (70°C) on machines with electric heating (EL).

The temperature of the hot water intake must not exceed 194°F (90°C) on machines without heating (EH).

The machine must be connected to the water supply using the inlet hoses provided.

If there is no hot water supply at the installation location, the hot water inlet hose must also be connected to the cold water supply. An additional Y-piece is required in this case. Cold water consumption increases accordingly to account for the missing hot water inlet.

For functional and technical reasons it is not possible to operate the machine exclusively with a hot water connection.

Even if a hot water connection is present, the washing machine must be connected to a cold water inlet.

Hard water connection

For the hard water connection, the same requirements apply as for the cold water connection.

If there is no hard water connection on site, the hose must be connected to the cold water connection.

Drain valve

In the case of washing machines with a drain valve, a motorized valve is used to drain the machine. A 2 3/4" angle connector can be used for connecting the drain valve directly into the waste water system (without a siphon) or into a floor drain (on-site gully with odor trap).

Thanks to an improved closing mechanism and a larger cross-section, even the coarsest of soil does not leave any deposits or debris behind which could result in blockages. The drain valve can also be operated manually to allow the suds container to be emptied in the event of a power failure.

A vented drainage system is vital for unimpeded drainage.

If several machines are connected to a single drain pipe, this should be sufficiently large to allow all machines to drain simultaneously.

If the slope for drainage is extremely steep, the piping must be vented to prevent formation of a vacuum in the machine's drainage system.

en - Installation notes

Slow or obstructed drainage or a backup of water in the drum as a result of undersized pipework can result in faults occurring during program sequences, which will result in fault messages appearing in the machine display.

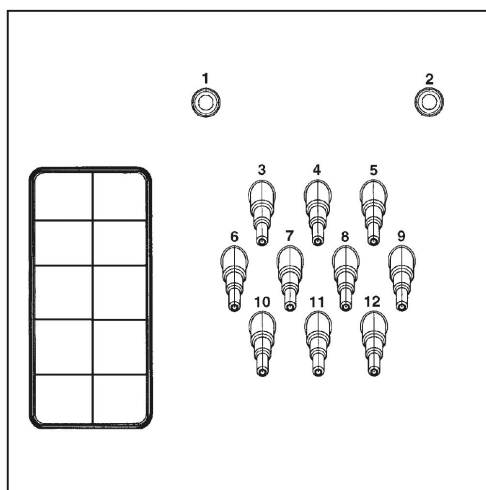
⚠ Outflowing suds can be as hot as 203°F (95°C). Danger of injury by burning!
Avoid direct contact.

Water connection for variants with external heating (EH)

The appliance should be connected to cold and hot water supplies. A minimum hot water temperature of 175°F (80°C) is recommended. The use of disinfection programs is not possible due to the absence of additional heating. The permissible wash temperatures are determined by the inlet temperature.

Dispenser pump connections

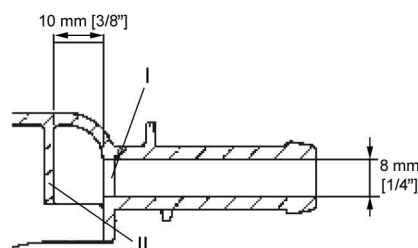
Up to 12 dispenser pumps can be connected to the washing machine.



Dispenser pump connections on the back of the machine

Connections **1** and **2** are provided for viscous agents and can also be used for high-pressure dispensing systems with water injection.

These connectors are sealed and need to be drilled open using an 8 mm drill bit before connecting.



Care must be taken to drill through the first wall only (**I**) as there is a deflecting panel (**II**) 3/8" (10 mm) behind it.

Connections **3** to **12** are for liquid detergent. These connectors are sealed and must be cut to the diameter of the hose with a small saw.

If opened connectors are no longer required, they must be resealed using a suitable sealant (e.g., silicone).

Connection terminals for five time-controlled dispenser pumps, which can be operated without a multifunction module, are located behind the cover adjacent to the electrical connection.

Calibration of the dispenser pumps and regulation of dispensing quantities is carried out semi-automatically for washing machines fitted with an optional multifunction module. Information regarding settings is given in the operating instructions.

A flowmeter or flow sensors can be connected for precise monitoring of the dispensing quantity.

Connections for level monitoring are available for every agent dispensed.

Optional accessories

Only use genuine Miele spare parts and accessories with this machine.

Using parts or accessories from other manufacturers may void the warranty, and Miele cannot accept liability.

Payment system kit (BSK)

The washing machine can be equipped with a payment system (e.g., for self-service operations) using the optional BSK payment system kit. This must be connected and programmed by Miele Technical Service. Payment systems with mechanical or electronic coin validator are available from Miele as optional accessories for individual target groups.

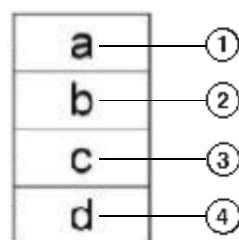
The programming required for connecting a payment system must be carried out by Miele Technical Service or an authorized Miele dealer only. An external power supply is not required for a payment system.

Peak-load negotiation kit (BSS)

The washing machine can be connected to an energy management system via a peak-load negotiation kit which is available as an optional accessory.

Peak-load negotiation monitors the energy consumption of a system and deactivates individual pieces of equipment temporarily in order to ensure that certain total load limits are not exceeded. Monitoring is externally controlled.

The kit provides three signal contacts and a neutral conductor via a terminal block. The terminal block is marked with "a", "b", "c", and "d":



① Output signal, start of machine operation

② Output signal, machine heating request

en - Installation notes

- ③ Peak-load input signal, machine heating deactivated
- ④ Neutral conductor

When the peak-load function is activated the current program is stopped and a message appears in the display on the washing machine. The program is resumed automatically when the peak-load system reactivates the heating.

XKM RS232 communication module

The serial interface RS-232 can be retrofitted to the washing machine via an XKM RS 232 (optional accessory available from Miele). This communication module must only be used with Miele Professional machines that are fitted with an appropriate slot for the module.

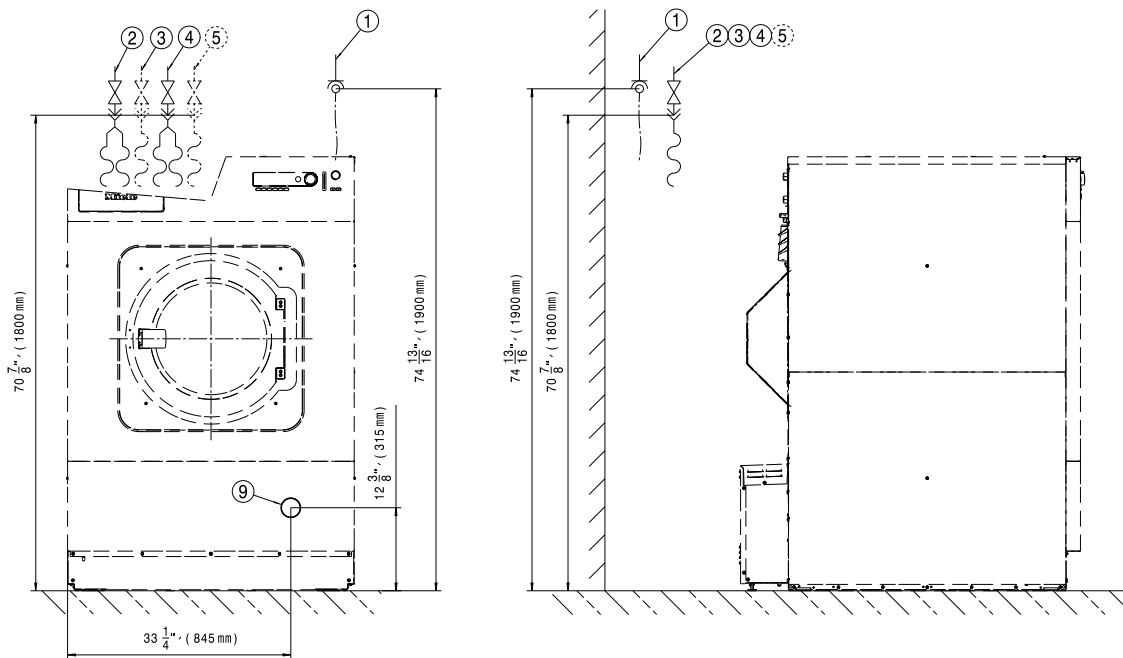
The data interface provided via communication module XKM RS232 complies with SELV (Safety Extra Low Voltage) in accordance with EN 60950.
Machines connected to this interface must also be SELV compliant.

Communication module XKM RS 232 is supplied with a connection cable and a D-sub-connector.

Vapor and suds venting kit (APWM 063)

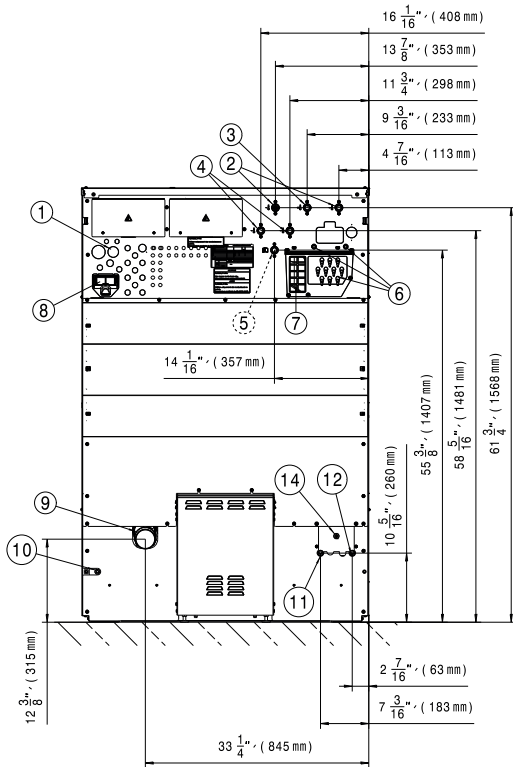
If excessive suds form, suds may escape from the vapor vent. An optional vapor and foam venting kit can be used to remove the foam.

Installation



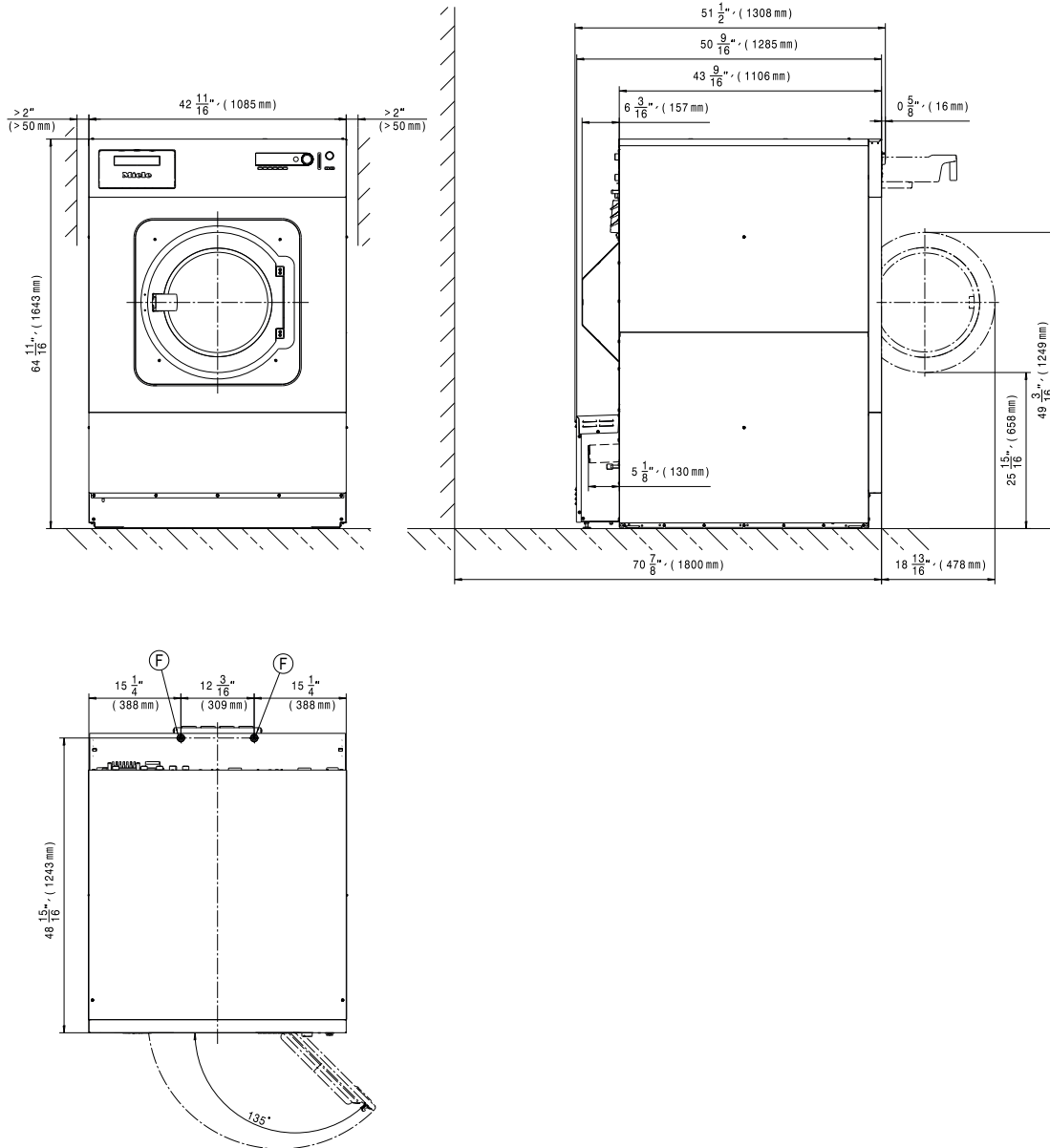
- | | |
|--|------------------------------|
| ① Electrical connection | ⑥ Dispenser pump connections |
| ② Cold water connection | ⑦ Overflow |
| ③ Hot water connection | ⑧ Communication connection |
| ④ Cold water connection (alternatively, hard water connection) | ⑨ Drain pipe |
| ⑤ Cold water connection for liquid dispensing (optional) | |

en - Installation



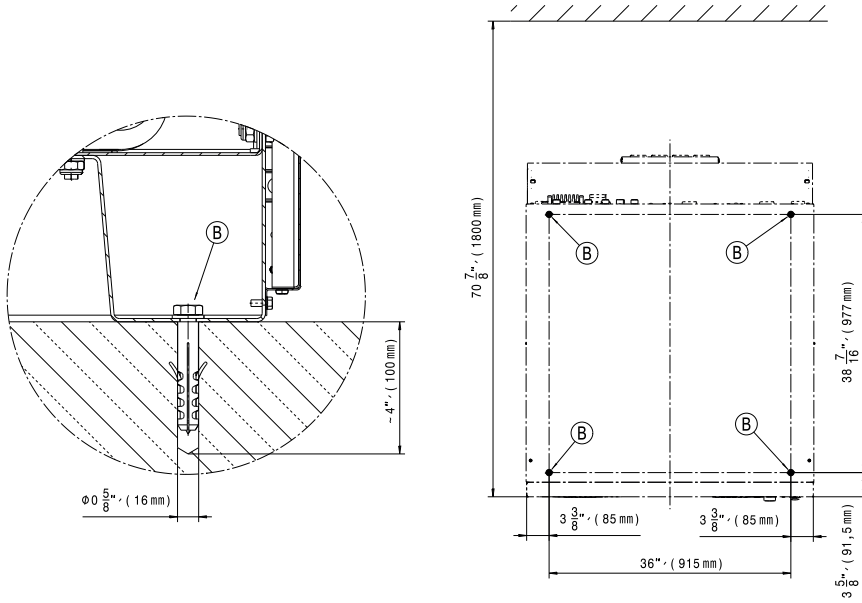
- ① Electrical connection
- ② Cold water connection
- ③ Hot water connection
- ④ Cold water connection (alternatively, hard water connection)
- ⑤ Cold water connection for liquid dispensing (optional)
- ⑥ Dispenser pump connections
- ⑦ Overflow
- ⑧ Communication connection
- ⑨ Drain pipe
- ⑩ Connection for equipotential bonding
- ⑪⑫⑭ Only for steam

Installation



en - Installation

Standard floor anchoring



Ⓑ screw/anchor point

Electrical version and electrical data

Connection voltage	208/240 V 3 Ph
Frequency	60 Hz
Total amps.	63 A
Max. fuse (time delay fuse)	70 A
Minimum circuit ampacity	63 A
Connection voltage	440/480 V 3 Ph
Frequency	60 Hz
TOTAL AMPS.	40 A
MAX. FUSE (TIME DELAY FUSE)	45 A
MINIMUM CIRCUIT AMPACITY	40 A
Connection voltage	240 V 1 Ph 3 Wire
Frequency	60 Hz
Total amps.	27 A
Max. fuse (time delay fuse)	30 A
Minimum circuit ampacity	27 A

Miele recommends connecting the machine via a wall socket with an all-pole means of deactivation and interlock.

The wall socket or isolator must remain accessible at all times once the machine has been installed.

To increase safety, Miele recommends installation of a residual current device (RCD). Only use residual current devices that are sensitive to universal current (type B).

Connection for equipotential bonding

Connection with male thread (machine)	3/8" x 1 3/16" (10 mm x 30 mm)
Size of washers and nuts	M 10

An equipotential bond with good contact connection must always be provided in accordance with all national and local regulations.

Water connections

Cold water connection

Required flow pressure	14.5-145 psi (1–10 bar)
Maximum flow rate (if no hot water and hard water supply)	19.5 (21*) gpm / 74 (79.5*) l/min
Maximum flow rate	6.8 (8.3*) gpm / 26 (31.5*) l/min
Threaded union required (male thread, to be provided by customer in accordance with DIN 44991, flat sealing)	3/4"
Length of water inlet hose supplied	2 (3*) x 61" (1550 mm)
*With liquid dispensing	

Hot water connection EL

Maximum permissible hot water temperature	158°F (70°C)
Required flow pressure	14.5-145 psi (1–10 bar)
Maximum flow rate	4.5 gpm (16 l/min)
Threaded union required (male thread, to be provided by customer in accordance with DIN 44991, flat sealing)	3/4"
Length of water inlet hose supplied	1 x 61" (1550 mm)

en - Technical details

Hot water connection EH

Maximum permissible hot water temperature	194°F (90°C)
Required flow pressure	14.5-145 psi (1–10 bar)
Maximum flow rate	4.5 gpm (16 l/min)
Threaded union required (male thread, to be provided by customer in accordance with DIN 44991, flat sealing)	1"
Length of water inlet hose supplied	1 x 61" (1550 mm)

Hard water connection

Required flow pressure	14.5-145 psi (1–10 bar)
Maximum flow rate	8.5 gpm (32 l/min)
Threaded union required (male thread, to be provided by customer in accordance with DIN 44991, flat sealing)	3/4"
Length of water inlet hose supplied	2 x 61" (1550 mm)

Waste water (drain valve)

Maximum waste water temperature	203°F (95°C)
Machine-side drain connection (external diameter)	HT DN 70 (2 15/16")
On-site drain (internal diameter)	2 15/16" x 13/16" x 4 5/16" (75 x 1.9 x 110 mm sleeve DN 70)
Maximum flow rate	52.8 gpm (200 l/min)

A vented combined pipe is required to drain the waste water. If several machines are connected to a single drain pipe, this should be sufficiently large to allow all machines to drain simultaneously.

Securing the machine

Fasteners

4 x wood screws DIN 571 (Ø x length)	12 mm x 90 mm
4 x plugs (Ø x length)	16 mm x 80 mm
Fixing the machine in place is absolutely essential.	

Emissions

Average heat dissipation rate to installation site	6.1 MJ/h
A-weighted noise power level in accordance with EN ISO 9614, part 2	73 dB(A) re 20 µPa

Machine data

Machine width (without add-on components)	42 11/16" (1085 mm)
Machine height (without add-on components)	64 11/16" (1643 mm)
Machine depth (without add-on components)	43 9/16" (1106 mm)
Machine width, total	42 7/8" (1089 mm)
Machine height, total	64 13/16" (1646 mm)
Machine depth, total	50 3/8" (1279 mm)
Minimum width of loading aperture (internal diameter)	46 5/8" (1185 mm)
Recommended distance between wall and front of machine	70 7/8" (1800 mm)
Net weight	1543 lb (700 kg)
Maximum floor load during operation	8975 N
Maximum static load	7456 N
Maximum dynamic load	1520 N
Maximum rotation frequency of drum	16.7 Hz







Transport data

Packaging width	49 5/8" (1260 mm)
Packaging height	67 5/16" (1710 mm)
Packaging depth	57 7/8" (1470 mm)
Gross weight	1654 lb (750 kg)


fr - Table des matières

Remarques sur l'installation	19
Explication des consignes de sécurité et des avertissements sur l'appareil.....	19
Conditions d'installation.....	19
Conditions de fonctionnement générales.....	19
Installation.....	20
Raccordement électrique.....	20
Raccordement à l'eau	21
Raccordement à l'eau froide	22
Raccordement à l'eau chaude.....	22
Raccordement à l'eau dure.....	22
Vanne de vidange.....	22
Raccordement à l'eau pour les variantes avec chauffage externe (EH).....	23
Raccordements pour pompes de dosage.....	23
Accessoires en option	25
Kit de monnayeur (BSK)	25
Kit de gestion des charges de pointe (BSS).....	25
Module de communication XKM RS232.....	25
Kit d'évacuation de vapeur et de mousse (APWM 063).....	26
Installation	27
Installation.....	27
Installation	29
Installation.....	29
Ancrage standard dans le sol.....	30
Données techniques	31
Plages de tension et données électriques.....	31
Raccordement pour liaison équipotentielle	31
Raccordements à l'eau	31
Raccordement à l'eau froide	31
Raccordement à l'eau chaude.....	31
Raccordement à l'eau chaude.....	32
Raccordement à l'eau dure.....	32
Eaux usées (vanne de vidange).....	32
Fixation de l'appareil.....	32
Raccords	32
Émissions	32
Données de l'appareil	32
Données de transport.....	33

Explication des consignes de sécurité et des avertissements sur l'appareil

	Lire le mode d'emploi
	Lire toutes les instructions, par ex. le plan de montage
	Attention, surfaces très chaudes
	Attention, tension jusqu'à 1 000 volts
	Mise à la terre
	Liaison équipotentielle

Conditions d'installation

 **ATTENTION:** La machine à laver doit être installée et mise en service par un technicien du service technique Miele ou par le personnel dûment formé d'un revendeur agréé par la marque.

- ▶ La machine à laver doit être installée conformément aux normes et réglementations en vigueur. Les prescriptions du fournisseur d'énergie local et des services des eaux doivent en outre être respectées.
- ▶ Cette machine à laver ne doit être utilisée que dans une pièce suffisamment ventilée et à l'abri du gel.

La machine à laver ne doit pas être installée ou utilisée dans une zone présentant un risque d'explosion.

Conditions de fonctionnement générales

Cette machine à laver est conçue uniquement pour une utilisation en intérieur et dans un environnement commercial.

- Température ambiante : 0-40 °C (32–105 °F)
- Humidité relative : sans condensation
- Hauteur maximale au-dessus du niveau de la mer du site de l'emplacement : 2000 m (6500 pieds)

Selon la nature du site d'installation, des émissions sonores et des vibrations peuvent survenir.

Conseil : Faire inspecter le site d'installation et faire appel à un professionnel dans le cas où l'augmentation des émissions sonores deviendrait une nuisance.

Installation

Transporter la laveuse vers son lieu d'installation à l'aide d'un transpalette approprié et retirer l'emballage de transport.

La laveuse doit être installée sur une surface entièrement plane, horizontale et solide qui résiste au moins à une charge au sol indiquée (voir « Données techniques »).

Conseil : Un sol en béton est la surface d'installation la mieux adaptée pour cet appareil. En effet, il est moins sujet aux vibrations du cycle d'essorage que les planchers en bois ou les sols recouverts d'une moquette.

La charge créée sur le plancher par la laveuse est la charge exercée par la zone de l'appareil en contact avec la surface d'installation et est transférée sur cette dernière.

La laveuse nécessite un écart d'au moins 50 mm (2 po) de chaque côté pour permettre le mouvement durant le fonctionnement. S'assurer qu'une distance minimum de 400 mm (15 3/4 po) entre l'arrière de l'appareil et le mur derrière est maintenue.

La laveuse ne doit pas être installée sur de la moquette.

Les pieds de la laveuse doivent être fixés au sol au niveau des points de fixation à l'aide des raccords fournies.

Les raccords fournis servent à fixer l'appareil sur un sol en béton. Si d'autres types de sol sont présents sur le lieu d'installation, le matériel de fixation doit être commandé par le client.

Raccordement électrique

Le raccordement électrique doit être effectué uniquement par un électricien qualifié qui est entièrement responsable du respect des normes et réglementations électriques en vigueur.

► La machine à laver doit être raccordée à un système électrique conforme aux réglementations nationales et locales. En outre, il convient de respecter tous les règlements des entreprises de distribution d'électricité et des compagnies d'assurance compétentes, de prévention des accidents ainsi que les règles de l'art reconnues.

► La tension réseau, la puissance raccordée et le calibre du fusible sont indiqués sur la plaque signalétique de la machine à laver. Avant de raccorder la machine à laver à l'alimentation électrique, s'assurer que la tension réseau indiquée sur la plaque signalétique correspond à celle de l'alimentation électrique principale.

Le raccordement à une tension réseau différente de celle indiquée sur la plaque signalétique peut entraîner des dysfonctionnements et endommager la machine à laver.

Si plusieurs tensions réseau sont indiquées sur la plaque signalétique, la machine à laver peut être convertie pour un raccordement aux tensions spécifiées par le service technique Miele.

► La conversion à une tension réseau différente ne peut être effectuée que par un technicien du service technique Miele ou par un technicien agréé. Les instructions de câblage figurant sur le schéma de câblage doivent être respectées.

La machine à laver peut disposer d'un raccordement fixe ou de type fiche/prise, conformément aux codes et règlements nationaux. Pour les appareils à raccordement fixe, le raccordement doit être effectué via un interrupteur approprié avec une isolation de tous les pôles sur le site d'installation.

Les interrupteurs garantissent une ouverture des contacts de plus de 3 mm. Cela inclut les disjoncteurs, les fusibles et les relais.

Si l'alimentation électrique ne peut pas être coupée de façon permanente, le interrupteur (y compris la fiche et la prise) doit être protégé contre toute mise sous tension involontaire ou non autorisée.

Conseil : Nous recommandons de raccorder l'alimentation électrique via une fiche et une prise appropriées, qui doivent être facilement accessibles pour les travaux de maintenance et d'entretien une fois l'appareil installé.

► Si les réglementations locales exigent l'installation d'un dispositif différentiel à courant résiduel (DDR), il convient d'utiliser un dispositif différentiel à courant résiduel de type B (sensible au courant universel).

Un dispositif différentiel à courant résiduel (DDR) existant de type A doit être remplacé par un DDR de type B.

Si les réglementations locales et nationales en matière d'installation exigent une liaison équipotentielle, une liaison équipotentielle avec une bonne liaison des contacts doit être établie. La liaison équipotentielle doit être effectuée à un courant de fuite de >10 mA.

Au besoin, une liaison équipotentielle avec un bon contact galvanique doit toujours être fournie conformément à toutes les réglementations nationales et locales.

Les accessoires pour effectuer une liaison équipotentielle ne sont pas fournis et doivent être commandés séparément.

Raccordement à l'eau

Le lave-linge doit être raccordé à un réseau d'eau domestique conformément aux normes de sécurité locales et nationales en vigueur. Il peut être raccordé à la source d'eau sans disconnecteur, si les normes nationales le permettent.

La pression de l'eau doit être de minimum 100 kPa (14,5 psi) et ne doit pas dépasser une surpression de 1000 kPa (145 psi). Si la pression de l'eau est supérieure à 1000 kPa (145 psi), un réducteur de pression doit être utilisé.

L'appareil doit être raccordé à l'alimentation en eau à l'aide des tuyaux d'arrivée d'eau fournis.

fr - Remarques sur l'installation

⚠ Les points de raccordement sont soumis à la pression de l'alimentation en eau.
Ouvrez lentement le robinet et vérifiez qu'il n'y a aucune fuite. Modifiez au besoin la position du joint et du raccord fileté.

Raccordement à l'eau froide

Pour le raccordement à l'eau froide, un robinet muni d'un raccordement fileté de $\frac{3}{4}$ " est nécessaire. Un raccord (pièce en Y) peut être utilisé si nécessaire pour raccorder 2 tuyaux d'arrivée d'eau avec un raccord fileté $\frac{3}{4}$ " à un même robinet avec un filetage mâle 1".

Le tuyau d'arrivée d'eau pour eau froide (bandes bleues) n'est pas adapté à un raccordement à l'eau chaude.

Raccordement à l'eau chaude

Pour réduire la consommation d'énergie pendant le fonctionnement à l'eau chaude, raccordez la machine à laver à une conduite circulaire d'eau chaude.

Si elles ne sont pas utilisées de manière continue, des conduites de dérivation (conduites individuelles vers les générateurs d'eau chaude) peuvent entraîner un refroidissement de l'eau restante dans les conduites. Il faudrait davantage d'électricité pour chauffer l'eau de lavage.

Pour le raccordement à l'eau chaude, utilisez le tuyau d'arrivée d'eau fourni (bandes rouges).

La température de l'arrivée d'eau chaude ne doit pas dépasser 70 °C (158 °F) sur les machines à chauffage électrique.
La température d'arrivée d'eau chaude ne doit pas dépasser 90 °C sur les appareils sans chauffage électrique (EH) ou puissance de chauffe réduite (RH).
La machine à laver doit être raccordée à l'alimentation en eau à l'aide des tuyaux d'arrivée d'eau fournis.

Si aucune alimentation en eau chaude n'est disponible sur le site d'installation, le tuyau d'arrivée d'eau chaude doit également être raccordé à l'alimentation en eau froide. Dans ce cas, une pièce en Y supplémentaire est requise. La consommation d'eau froide augmente en conséquence pour compenser l'arrivée d'eau chaude manquante.

Pour des raisons fonctionnelles et techniques, il est impossible de faire fonctionner la machine à laver uniquement avec un raccordement à l'eau chaude.
Même avec un raccordement à l'eau chaude, la machine à laver doit être raccordée à une arrivée d'eau froide.

Raccordement à l'eau dure

Le raccordement à l'eau dure exige les mêmes conditions que le raccordement à l'eau froide.

S'il n'y a pas de raccordement à l'eau dure sur le site, le tuyau doit être raccordé au raccordement à l'eau froide.

Vanne de vidange

Pour les machines à laver avec une vanne de vidange, une vanne motorisée est utilisée pour vidanger l'appareil. Un coude de raccordement (2 3/4 po.) peut être utilisé pour vidanger l'appareil directement dans le système des eaux usées (sans siphon) ou via une évacuation au sol sur site (avec siphon anti-odeur).


Un mécanisme de fermeture optimisé et un diamètre de coupe transversale plus grand empêchent la survenue d'obstructions et de dépôts, même en cas de salissures importantes. La vanne de vidange peut également être utilisée manuellement pour vider la cuve de façon exceptionnelle, en cas de panne de courant.

Un système de vidange ventilé est nécessaire pour assurer une bonne évacuation.

Si plusieurs appareils sont raccordés à un seul tuyau de vidange, celui-ci doit être suffisamment grand pour permettre la vidange simultanée de tous les appareils.

Si la pente de vidange est extrêmement prononcée, les tuyaux doivent être purgés afin d'éviter la formation de vide dans le système de vidange de la machine à laver.

Une vidange lente ou obstruée ou une accumulation d'eau dans le tambour résultant d'une conduite trop petite peut occasionner des anomalies qui feront apparaître des messages d'erreur à l'écran lors des déroulements de programmes.

 La température des eaux vidangées peut atteindre 203 °F (95 °C). Il existe un risque de brûlure!
Évitez tout contact direct.

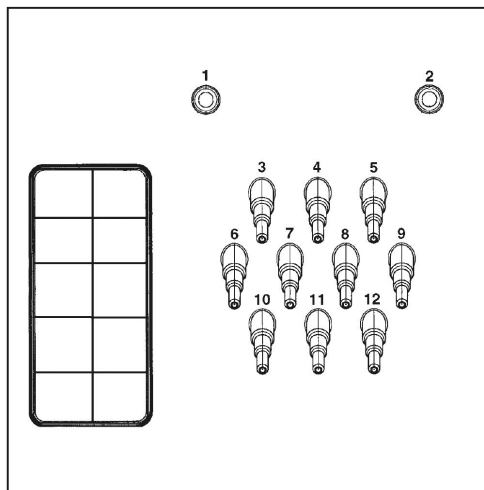
Raccordement à l'eau pour les variantes avec chauffage externe (EH)

L'appareil doit être raccordé à des alimentations en eau froide et en eau chaude. Une température d'eau chaude minimale de 80 °C est recommandée. L'utilisation de programmes de désinfection n'est pas possible en raison de l'absence de chauffage auxiliaire. Les températures de lavage autorisées sont définies par la température d'arrivée.

Raccordements pour pompes de dosage

Il est possible de raccorder jusqu'à 12 pompes de dosage à la machine à laver.

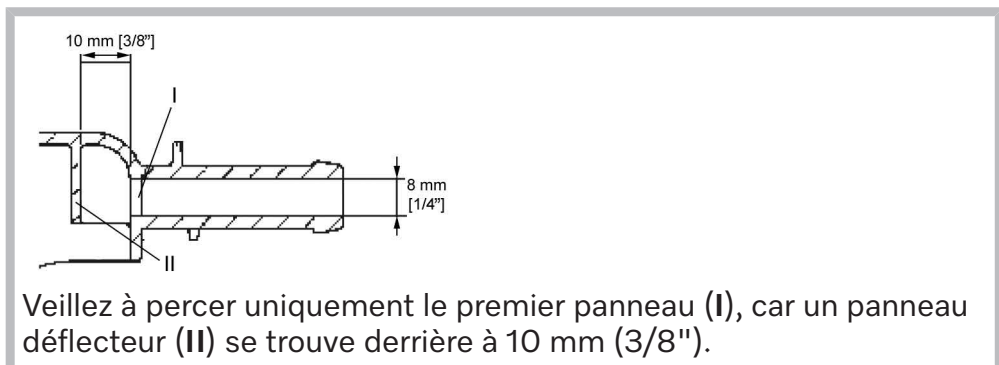
fr - Remarques sur l'installation



Raccords pour la pompe de dosage au dos de l'appareil

Les raccords **1** et **2** sont fournis pour les produits visqueux et peuvent également être utilisés pour des systèmes de dosage haute pression avec injection d'eau.

Ces raccords sont scellés et doivent être percés à l'aide d'un foret de 8 mm avant tout raccordement.



Veillez à percer uniquement le premier panneau (**I**), car un panneau déflecteur (**II**) se trouve derrière à 10 mm (3/8").

Les raccords **3** à **12** sont destinés aux lessives liquides. Les systèmes de dosage haute pression avec injection d'eau ne doivent pas être raccordés à ces raccords. Les raccords sont scellés et doivent être coupés au diamètre du tuyau à l'aide d'une petite scie avant tout raccordement.

Si des raccords ouverts ne sont plus nécessaires, ils doivent être rescellés à l'aide d'un enduit adapté (par ex. à base de silicone).

Les bornes de raccordement pour cinq pompes de dosage temporisées, qui peuvent fonctionner sans module multifonction, sont situées derrière le cache, à côté du raccordement électrique.

L'étalonnage des pompes de dosage et la régulation des quantités de dosage sont effectués de manière semi-automatique pour les machines à laver équipées d'un module multifonction en option. Consultez les instructions d'utilisation pour plus d'informations concernant les réglages.

Un débitmètre ou des capteurs de débit peuvent être connectés pour un contrôle précis de la quantité de dosage.

Des raccordements pour le contrôle du niveau de remplissage sont disponibles pour chaque produit de lavage.

Accessoires en option

Utiliser uniquement les accessoires et les pièces de rechange d'origine Miele avec cet appareil.

Si des pièces de rechange ou des accessoires d'autres fabricants sont utilisés, la garantie sera annulée, et Miele n'acceptera aucune responsabilité.

Kit de monnayeur (BSK)

La machine à laver peut être équipée d'un monnayeur (par ex. pour une utilisation en libre-service) au moyen du kit de monnayeur BSK en option. Celui-ci doit être raccordé et programmé par un technicien service technique Miele. Les monnayeurs avec validateurs de pièces mécaniques ou électroniques sont disponibles auprès de Miele en tant qu'accessoires en option pour les différents groupes cibles.

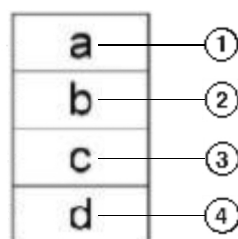
La programmation requise pour le raccordement doit uniquement être effectuée par le service technique Miele ou un revendeur agréé par Miele. Aucune alimentation électrique externe n'est nécessaire pour raccorder le monnayeur.

Kit de gestion des charges de pointe (BSS)

La machine à laver peut être raccordée à un système de gestion d'énergie au moyen d'un kit de gestion des charges de pointe disponible en tant qu'accessoire en option.

Le système de gestion des charges de pointe contrôle la consommation d'énergie d'un système et désactive temporairement des équipements individuels pour garantir que certaines limites de charge totales ne soient pas dépassées. Le contrôle s'effectue en externe.

Le kit fournit trois contacts de signalisation et un conducteur neutre via un bornier. Le bornier comporte les lettres « a », « b », « c » et « d » :



- ① Signal de sortie, mise en marche de l'appareil
- ② Signal de sortie, demande de chauffage de l'appareil
- ③ Signal d'entrée du pic de charge, chauffage de l'appareil désactivé
- ④ Conducteur neutre

Lorsque la fonction de pic de charge est activée, le programme en cours est interrompu et un message correspondant s'affiche à l'écran de la machine à laver. Le programme reprend automatiquement lorsque le système de pic de charge réactive le chauffage.

fr - Remarques sur l'installation

Module de communication XKM RS232

L'interface de données sérielles RS 232 pour la machine à laver peut être installée ultérieurement via le module de communication XKM RS 232, disponible comme accessoire en option. Ce module de communication est conçu uniquement pour une utilisation dans des appareils Miele Professional équipés de l'emplacement de module correspondant.

L'interface de données fournie par le module de communication XKM RS232 est conforme aux exigences de la TBTS (Très basse tension de sécurité) selon la norme EN 60950.

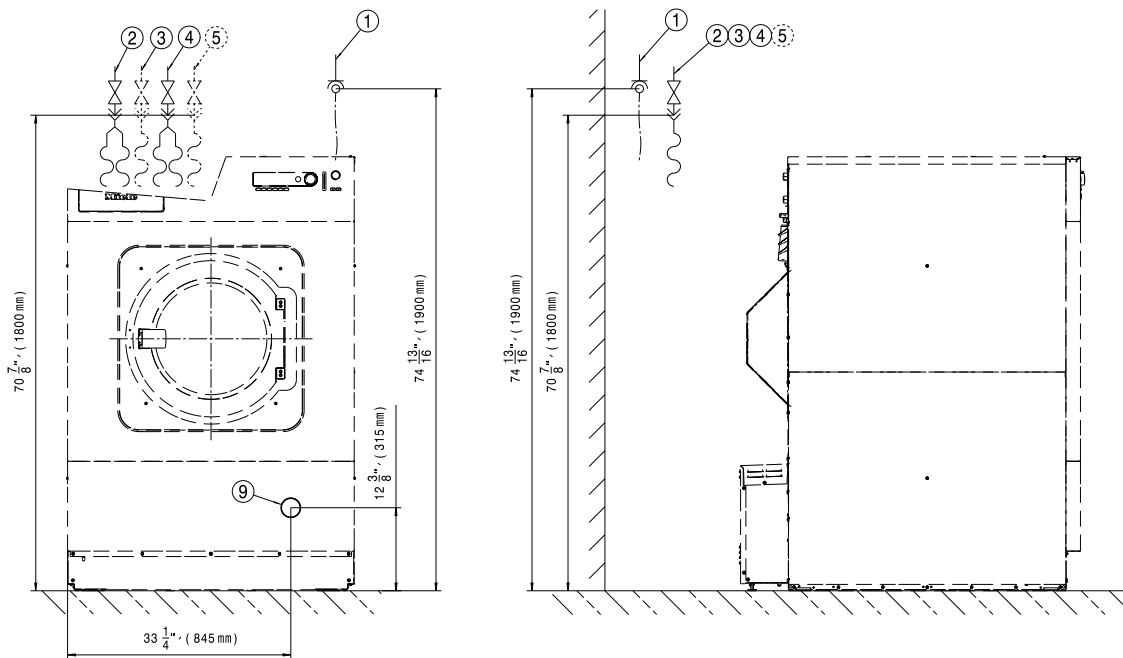
Les appareils raccordés à cette interface doivent également être conformes aux exigences de la TBTS.

Le module de communication XKM RS 232 est alimenté par un câble d'alimentation et un connecteur sub-D.

Kit d'évacuation de vapeur et de mousse (APWM 063)

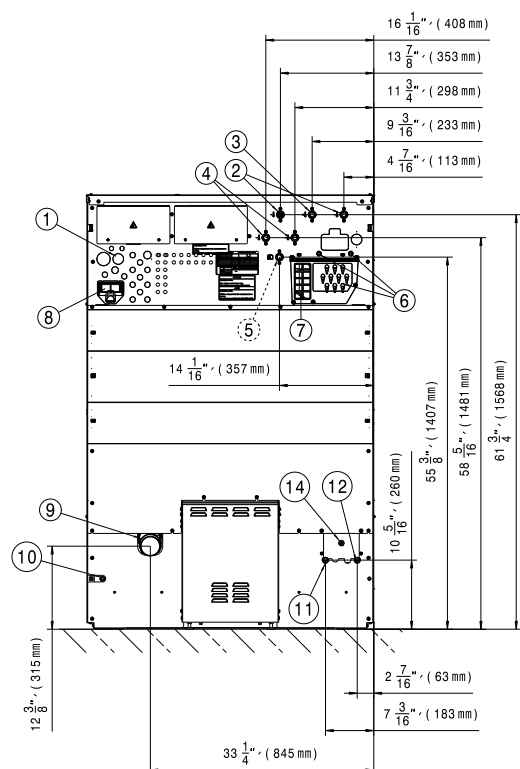
Si une quantité excessive de bain lessiviel se forme, la mousse peut s'échapper à travers l'évacuation de la vapeur. Un kit d'évacuation de vapeur et de mousse en option peut être utilisé pour éliminer la mousse.

Installation



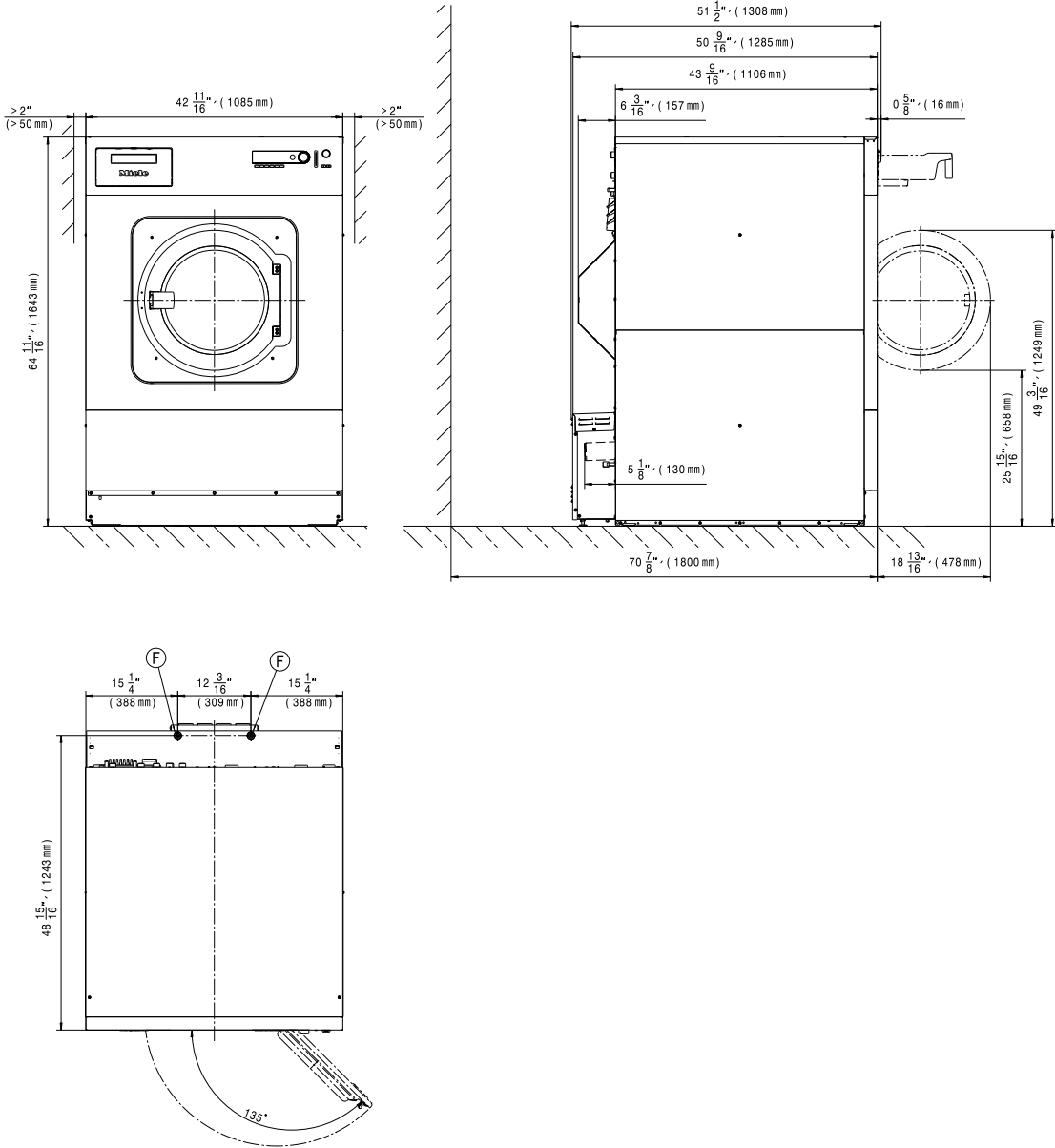
- | | |
|---|---------------------------------------|
| ① Raccordement électrique | ⑥ Raccordements pour pompes de dosage |
| ② Raccordement à l'eau froide | ⑦ Débordement |
| ③ Raccordement à l'eau chaude | ⑧ Raccordement pour la communication |
| ④ Raccordement à l'eau froide (sinon, raccordement à l'eau dure) | ⑨ Tuyau de vidange |
| ⑤ Raccordement à l'eau froide pour le dosage de produits liquides (en option) | |

fr - Installation



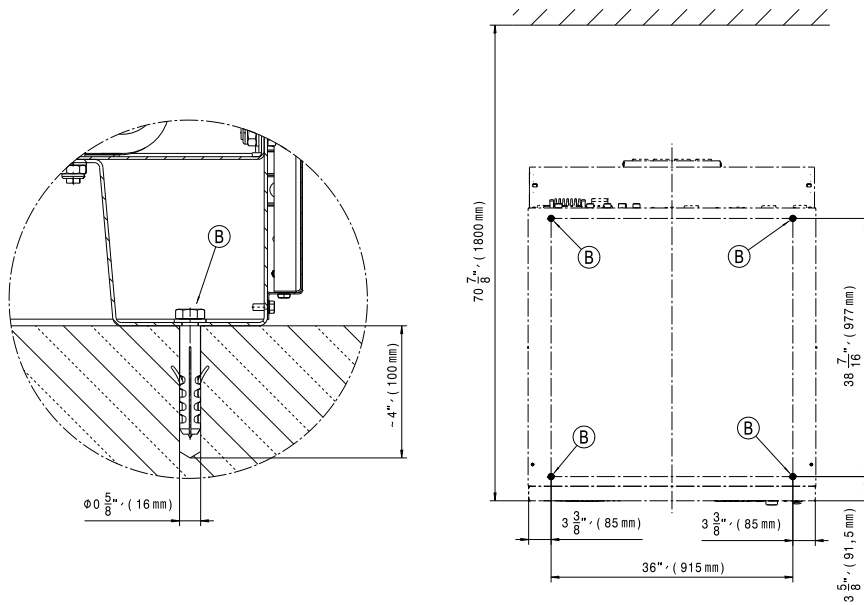
- ① Raccordement électrique
- ② Raccordement à l'eau froide
- ③ Raccordement à l'eau chaude
- ④ Raccordement à l'eau froide (sinon, raccordement à l'eau dure)
- ⑤ Raccordement à l'eau froide pour le dosage de produits liquides (en option)
- ⑥ Raccordements pour pompes de dosage
- ⑦ Débordement
- ⑧ Raccordement pour la communication
- ⑨ Tuyau de vidange
- ⑩ Raccordement pour liaison équipotentielle
- ⑪⑫⑬ Vapeur seulement

Installation



fr - Installation

Ancrage standard dans le sol



Vis/Point d'ancrage **B**

Plages de tension et données électriques

Tension de raccordement	208/240 V 3 Ph
Fréquence	60 Hz
Amp. totaux	63 A
Fusible max. (fusible à retardement)	70 A
Ampérage minimum du circuit	63 A
Tension de raccordement	440/480 V 3 Ph
Fréquence	60 Hz
Amp. totaux	40 A
Fusible max. (fusible à retardement)	45 A
Ampérage minimum du circuit	40 A
Tension de raccordement	240 V 1 Ph 3 Wire
Fréquence	60 Hz
Amp. totaux	27 A
Fusible max. (fusible à retardement)	30 A
Ampérage minimum du circuit	27 A

Miele recommande de raccorder l'appareil à une prise murale équipée d'un dispositif de désactivation et de verrouillage omnipolaire pour pouvoir effectuer facilement les contrôles de sécurité électrique.

La prise murale ou le sectionneur doit toujours être accessible après l'installation de l'appareil.

Pour accroître la sécurité, Miele recommande l'installation du dispositif différentiel à courant résiduel (DDR). Utiliser uniquement des dispositifs différentiels à courant résiduel sensibles au courant universel (type B).

Raccordement pour liaison équipotentielle

Raccordement avec un filetage mâle (appareil)	10 mm x 30 mm (3/8" x 1 3/16")
Taille des rondelles et écrous	M10

Une liaison équipotentielle avec un bon raccordement de contact doit toujours être fournie conformément à toutes les réglementations nationales et locales.

Raccordements à l'eau

Raccordement à l'eau froide

Pression d'écoulement requise	14.5-145 psi (1-10 bar)
Débit volumétrique maximum (si pas d'alimentation en eau chaude ni en eau dure)	19.5 (21*) gpm / 74 (79.5*) l/min
Débit maximum	6.8 (8.3*) gpm / 26 (31.5*) l/min
Raccord fileté requis (doit être fourni par le client conformément à la norme DIN 44991, joint plat)	3/4"
Longueur du tuyau d'arrivée d'eau fourni	61" (1550 mm)
*Avec dosage liquide	

Raccordement à l'eau chaude

Température maximale admissible de l'eau chaude	158°F (70 °C)
Pression d'écoulement requise	14.5-145 psi (1-10 bar)
Débit maximum	4.5 gpm (16 l/min)
Raccord fileté requis (conformément à la norme DIN 44991, joint plat)	3/4"
Longueur du tuyau d'arrivée d'eau fourni	61" (1550 mm)

fr - Données techniques

Raccordement à l'eau chaude

Température maximale admissible de l'eau chaude	158°F (70 °C)
Pression d'écoulement requise	14.5-145 psi (1–10 bar)
Débit maximum	4.5 gpm (16 l/min)
Raccord fileté requis (conformément à la norme DIN 44991, joint plat)	3/4"
Longueur du tuyau d'arrivée d'eau fourni	61" (1550 mm)

Raccordement à l'eau dure

Pression d'écoulement requise	14.5-145 psi (1–10 bar)
Débit maximum	8.5 gpm (32 l/min)
Raccord fileté requis (conformément à la norme DIN 44991, joint plat)	3/4"
Longueur du tuyau d'arrivée d'eau fourni	61" (1550 mm)

Eaux usées (vanne de vidange)

Température maximale de l'eau de vidange	203 °F (95 °C)
Raccordement de vidange côté appareil (diamètre externe)	HT DN 70 (2 15/16")
Vidange sur site (diamètre interne)	2 15/16" x 13/16" x 4 5/16" (75 x 1.9 x 110 mm manchon DN 70)
Débit maximum	52.8 gpm (200 l/min)

Un tuyau combiné ventilé est requis pour la vidange des eaux usées. Si plusieurs appareils sont raccordés à un seul tuyau de vidange, celui-ci doit être suffisamment grand pour permettre la vidange simultanée de tous les appareils.

Fixation de l'appareil

Raccords

4 x vis à bois DIN 571 (Ø x longueur)	(12 mm x 90 mm)
4 x chevilles (Ø x longueur)	(16 mm x 80 mm)

Il est absolument essentiel de fixer l'appareil.

Les crochets pour chapes flottantes doivent être fournis sur place par le client.

Émissions

Taux de dissipation thermique moyen sur le lieu d'installation	6.1 MJ/h
Niveau de puissance acoustique pondéré A conformément à la partie 2 de la norme EN ISO 9614	73 dB(A) re 20 µPa

Données de l'appareil

Largeur de l'appareil (sans pièces ajoutées)	42 11/16" (1085 mm)
Hauteur de l'appareil (sans pièces ajoutées)	64 11/16" (1643 mm)
Profondeur de l'appareil (sans pièces ajoutées)	43 9/16" (1106 mm)
Largeur totale de l'appareil	42 7/8" (1089 mm)
Hauteur totale de l'appareil	64 13/16" (1646 mm)
Profondeur totale de l'appareil	50 3/8" (1279 mm)
Largeur minimale de l'ouverture de chargement (largeur interne)	46 5/8" (1185 mm)
Distance recommandée entre le mur et la façade de l'appareil	70 7/8" (1800 mm)
Poids net	1543 lb (700 kg)
Charge max. au sol en fonctionnement	8975 N
Charge statique maximale	7456 N
Charge dynamique maximale	1520 N
Fréquence de rotation maximale du tambour	16.7 Hz

Données de transport

Largeur de l'emballage	49 5/8" (1260 mm)
Hauteur de l'emballage	67 5/16" (1710 mm)
Profondeur de l'emballage	57 7/8" (1470 mm)
Poids brut	1654 lb (750 kg)

Please have the model and serial number
of your machine available when
contacting Technical Service.

U.S.A.

Miele, Inc.

National Headquarters

9 Independence Way
Princeton, NJ 08540
Phone: 800-991-9380
www.mieleusa.com/professional
prosales@mieleusa.com

Technical Service & Support

Phone: 800-991-9380
proservice@mieleusa.com

Canada

Importer
Miele Limited

Professional Division

161 Four Valley Drive
Vaughan, ON L4K 4V8
Phone: 1-888-325-3957
www.mieleprofessional.ca
professional@miele.ca

Miele Professional Technical Service

Phone: 1-888-325-3957
serviceprofessional@miele.ca



Manufacturer: Miele & Cie. KG
Carl-Miele-Straße 29, 33332 Gütersloh, Germany