



# Installation plan

## Laboratory Glassware Washer

### PLW 8505

---

It is **essential** to read the operating instructions as well as the service documentation before the machine is installed or used for the first time.

en - US

## Installation notes

---

### Installation requirements

Installation should be carried out by **authorized installers** in accordance with valid regulations, relevant standards and health and safety codes.

### Notes for the installation

The machine shall be horizontally levelled.

A dedicated electrical power supply disconnecting device shall be provided and installed by the customer/installer, near the machine in an easy accessible position by the operator

Manual shut off valves are required adjacent to supply connection points for all media.

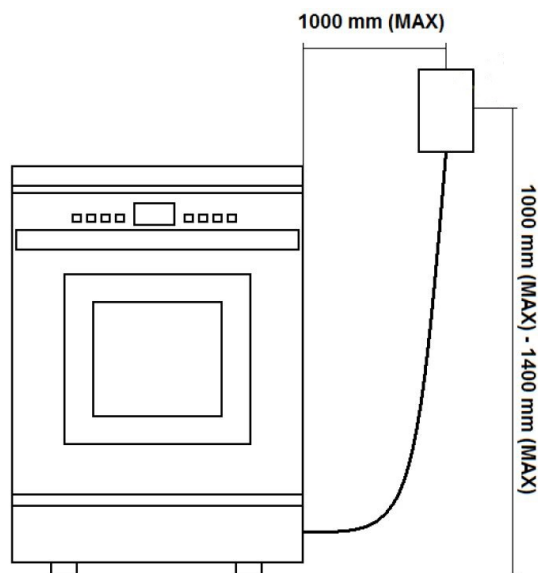
If a steam condenser is supplied and connected to a potable water supply, the machine should be connected to the drainage system using a proper non-return device.

All services connections to the machine must comply with all applicable local codes and practices.

The manufacturer reserves the right to make product changes that may not be reported in the drawing.

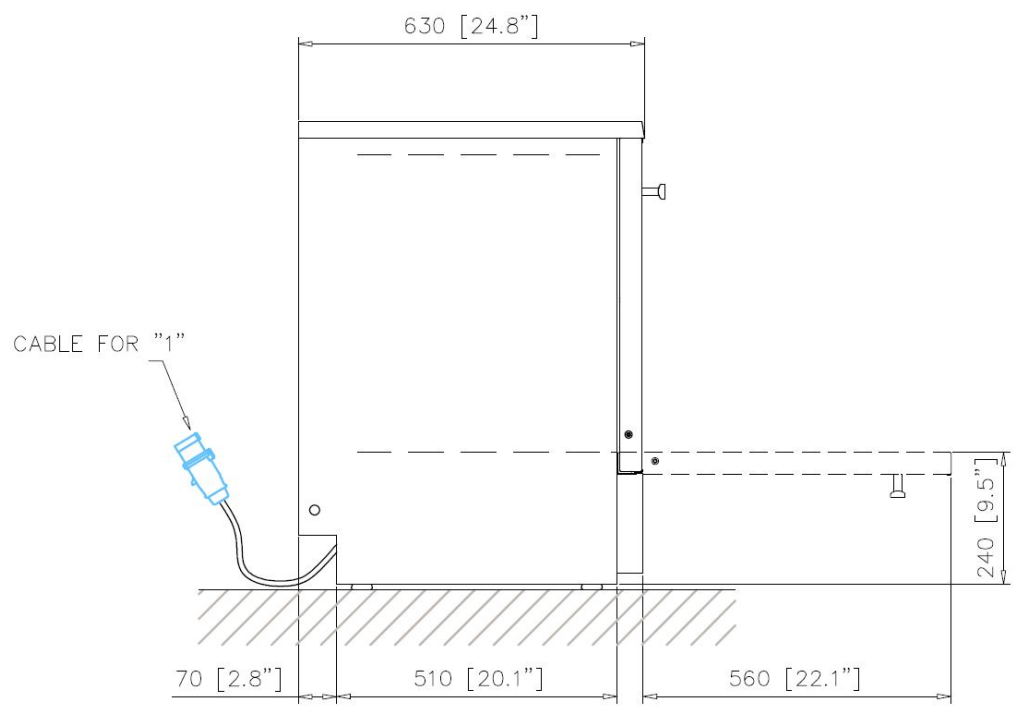
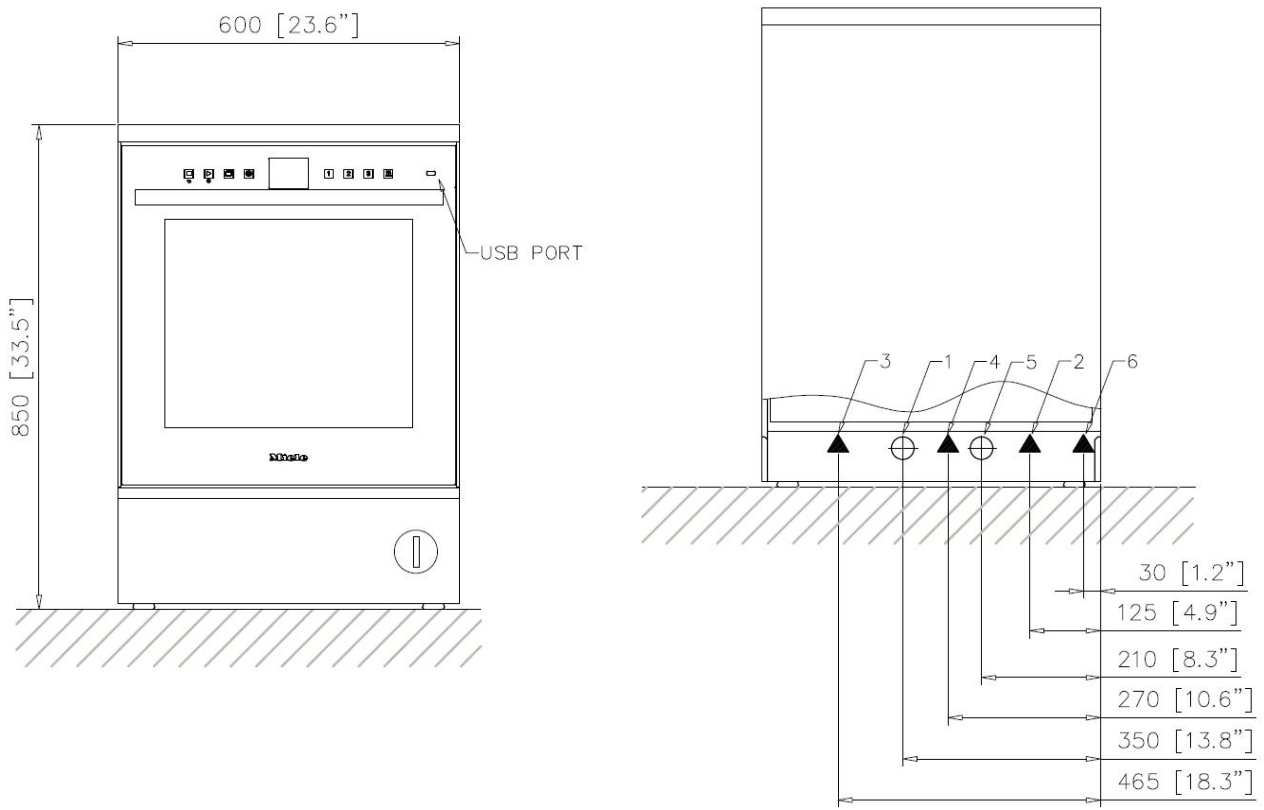
### Disconnection device

The distance of the disconnection device from the machine must be of maximum 3' 3" (1000 mm). The device has to be placed at a distance from the floor of minimum 3' 3" (1000 mm) and maximum 4' 6" (1400 mm).



# Dimensions

1	Electrical connection	2	Cold water connection
3	Hot water connection	4	Demineralized water connection
5	Drain connection	6	RS232 - printer connection



# Technical data

---

## Electrical connection

Voltage (default)	115 V / 1PH+N+GR / 60 HZ
Rated load	1.6 kW / 15 A
Fuse rating	1 pole 20 Amp
Power cord, cross-section min.	3 x AWG 12

## Cold water connection

Max. temperature	59 °F	15 °C
Max. water hardness	4 gpg	70 ppm CaCO <sub>3</sub>
Minimum flow pressure	14.5 psi	100 kPa
Max. pressure	116 psi	800 kPa
Flow rate	3.2 gal/min	12 L/min
Threaded connection, provided on-site (flat seal)	NH 11.5	3/4" Male Garden Hose Thread
PH value	pH 7 to pH 8	

## Hot water connection

Max. temperature	140 °F	60 °C
Max. water hardness	4 gpg	70 ppm CaCO <sub>3</sub>
Minimum flow pressure	14.5 psi	100 kPa
Max. pressure	116 psi	800 kPa
Flow rate	3.2 gal/min	12 L/min
Threaded connection, provided on-site (flat seal)	NH 11.5	3/4" Male Garden Hose Thread
PH value	pH 7 to pH 8	

## Demineralized water

Max. temperature	140 °F	60 °C
Max. water hardness	0,9 gpg	15 ppm CaCO <sub>3</sub>
Minimum flow pressure	14.5 psi	100 kPa
Max. pressure	116 psi	800 kPa
Flow rate	3.2 gal/min	12 L/min
Threaded connection, provided on-site (flat seal)	NH 11.5	3/4" Male Garden Hose Thread
Maximum conductivity	30 µS/cm	
PH value	pH 5 to pH 8	

## Drain water

Drain water temperature	140 °F	60 °C
Length of drain hose	approx. 6' 6"	2 m
Drain hose, max. drainage length	approx. 13' 1"	4 m
Drain pump head height from floor level, max.	approx. 2' 6"	0.8 m
Drain hose delivery, max.	3.5 gal/min	13 L/min
On-site hose connector (external dia. x l)	7/8" x 1 3/16"	22 x 30 mm

## Machine dimensions

Height	33 1/2	850 mm
Width	23 5/8	600 mm
Depth	24 13/16	630 mm
Height of door	22 1/16	560 mm
Net weight	143 lbs	65 kg
Dynamic floor load on working	264 lbs	120 daN
Floor load	356 lbs/sqft	150 daN/m <sup>2</sup>
Foot support area	2.8 in <sup>2</sup>	18 cm <sup>2</sup>
Width including transport pallet min.	29 1/2	750 mm
Depth including transport pallet min.	26 3/4	680 mm
Height including transport pallet min.	39 3/4	1010 mm
Sound emissions in dB (A)	<70 dB	
Sound pressure LpA, washing and drying		

## Heat dissipation rate to installation room

From heat emission during operation	1126 btu/h	330 W
From wash load on removal (122 °F)	1194 btu/h	350 W

## Setup requirements

Permissible ambient temperature	40-105 °F	5-40 °C
Max. relative humidity	80 %	
Rel. humidity, declining proportionally up to 104 °F	50 %	

Please have the model and serial number  
of your machine available when  
contacting Technical Service.

---



**U.S.A.**

**Miele, Inc.**

**National Headquarters**

9 Independence Way  
Princeton, NJ 08540  
Phone: 800-991-9380  
Fax: 609-419-4241  
[www.miele-pro.com](http://www.miele-pro.com)  
[proinfo@mieleusa.com](mailto:proinfo@mieleusa.com)

**Technical Service & Support**

Phone: 800-991-9380  
Fax: 800-220-1348  
[proservice@mieleusa.com](mailto:proservice@mieleusa.com)