






PWM 520 EL/RH

- en** Installation plan Commercial washing machine
- cs** Instalační plán Profesionální pračka
- hu** Telepítési terv Ipari mosógép
- tr** Kurulum planı Endüstriyel Çamaşır Makinesi
- pt** Plano de instalação Máquina de lavar roupa industrial

en 4
cs 24
hu 44
tr 64
pt 84

Installation notes	4
Explanation of the safety notes and warnings on the machine	4
Installation requirements	4
General operating conditions	4
Installation.....	4
Installation on concrete plinth.....	5
Levelling the machine	5
Securing the machine	6
Electrical connection	6
Plumbing.....	7
Cold water connection.....	7
Hot water connection	7
Drain valve	8
Water connection for variants with reduced heater rating (RH).....	8
Water connection for variants with external heating (EH).....	8
Dispensing pump connections.....	9
Optional accessories	11
Hard water kit (APWM062)	11
APWM 019/020 Connector Box.....	11
WiFi/LAN interface.....	12
Plinth (APWM 022/035)	12
Vapour and foam venting kit (APWM 063)	12
Installation	13
Standard	13
Plinth	15
Installation	17
Standard	17
Plinth	18
Floor anchoring.....	19
Technical data	20
Voltage versions and electrical data	20
Plumbing.....	21
Cold water connection.....	21
Hot water connection	21
Hot water connection (for variants without heating or with reduced heater rating)	21
Hard water connection (optional)	21
Average water consumption for a standard programme (Cottons 60 °C).....	21
Drainage.....	21
Connection for equipotential bonding.....	21
Installation dimensions	22
Anchoring.....	22
Transport data, weight and floor load.....	22
Emissions data.....	22

Explanation of the safety notes and warnings on the machine

	Read the operating instructions
	Warning, hot surfaces
	Warning, voltage up to 1000 volts
	Protective earthing
	Equipotential bonding

Installation requirements

The washing machine must be installed and commissioned by a Miele Customer Service technician or by an authorised dealer.

- ▶ Suitable personal protective equipment must be worn during installation or maintenance.
- ▶ The washing machine must be installed in accordance with applicable regulations and standards. Local energy supplier and water authority regulations must also be observed.
- ▶ This washing machine must only be operated in a room that has sufficient ventilation and which is frost-free.

This washing machine should not be installed or operated in any area where there is a risk of explosion!

General operating conditions

This washing machine is intended only for use in a commercial environment and must only be operated indoors.

- Ambient temperature: 0-40 °C
- Relative humidity: non-condensing
- Maximum height above sea level of location site: 2000 m

Depending on the nature of the installation site, sound emissions and vibration may occur.

Tip: Have the installation site inspected and seek the advice of a professional in instances where increased noise may cause a nuisance.

Installation

Transport the washing machine to its installation site using a suitable pallet truck and remove the transport packaging.

The washing machine must be set up on a completely level, horizontal and firm surface with the minimum stated load bearing capacity (see "Technical data").

Tip: A concrete floor is the most suitable installation surface. It is far less prone to vibration during the spin cycle than wooden floorboards or a carpeted surface.

The floor load created by the washing machine is the load exerted by the area of the machine in contact with and transferred to the installation surface.

The washing machine requires a gap of at least 50 mm on each side to allow for movement during operation. Please ensure a minimum distance of 400 mm is maintained between the rear of the appliance and the rear wall.

The washing machine must not be installed on a carpeted floor.

The feet of the washing machine must be secured to the fastening points on the floor using the fittings supplied.


The fittings supplied are for bolting the machine to a concrete floor. If other floor types are present at the installation site, the fastening material must be ordered by the customer.

Installation on concrete plinth

The washing machine can be installed on a concrete plinth if desired.

The concrete materials and the durability of the concrete plinth must be assessed in accordance with the floor load bearing capacity given in “Technical data”.

- To guarantee the stability of the washing machine, make sure that the concrete plinth is sufficiently stable on the floor and that it is capable of withstanding any burden or force from the washing machine.
- The washing machine must be secured to the concrete plinth using the fixtures and fastenings supplied.

 The washing machine must be secured to the plinth immediately after installation!

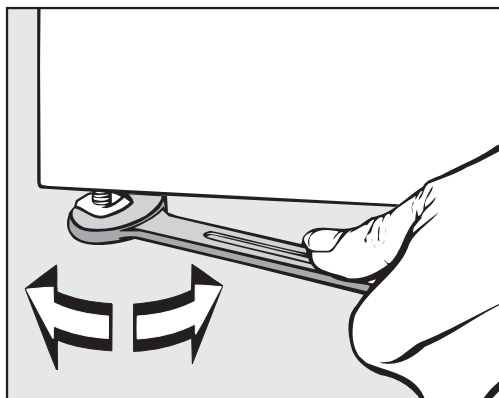
There is a risk of the washing machine falling off a raised plinth during a spin cycle if it is not secured.

Levelling the machine

- Align the washing machine vertically and horizontally using the adjustable feet and a spirit level.

The washing machine must stand evenly and horizontally on all four feet to ensure trouble-free and energy-efficient operation. Otherwise the water and energy consumption increases and the washing machine might move around.

- After aligning the machine, tighten the lock nuts by turning them in a counterclockwise direction with a spanner. This will prevent the feet from adjusting themselves.



Securing the machine

- The feet of the washing machine must be secured to the concrete plinth using the fixtures and fastenings supplied.

Fittings supplied are for installation on a concrete floor. For other types of flooring, please purchase suitable fastening materials separately.

Electrical connection

The electrical connection must only be carried out by a qualified electrician who must ensure that all electrical work is carried out in accordance with applicable electrical regulations and standards (BS 7671 in the UK).

- ▶ This washing machine must be connected to an electrical mains supply that complies with local and national regulations. Please also observe your insurance and energy supplier's regulations as well as any health and safety at work regulations.
- ▶ The required voltage, connected load and fusing rating can be found on the data plate on the washing machine. Before connecting the machine to the power supply, please ensure that the mains supply voltage complies with the values given on the data plate.

Connection to a supply voltage other than the one quoted on the data plate can lead to functional faults and damage the washing machine!

If more than one voltage is quoted on the data plate, the washing machine can be converted for connection to the voltages stated.

- ▶ Conversion to a different voltage must only be carried out by a Miele Service engineer or by an authorised Service Partner. The wiring instructions given on the wiring diagram must be followed.

Tip: We recommend connection to the power supply via a suitably rated plug and socket which must be easily accessible for servicing and maintenance work after the machine has been installed. An electrical safety test must be carried out after installation and after any service work.

The machine should be connected with a suitably rated plug and socket in accordance with IEC 60309-1 or hard wired. For a hard wired connection an all-pole isolation device must be installed.

For hard-wired machines connection should be made via a suitable mains switch with all-pole isolation which, when in the off position, ensures a 3 mm gap between all open contacts. These include circuit breakers, fuses and relays (IEC/EN 60947).

If the mains supply cannot be permanently disconnected, the isolator switch (including plug and socket) must be safeguarded against being switched on either unintentionally or without authorisation.

► If it is necessary to install a residual current device (RCD) in accordance with local regulations, a residual current device type B (sensitive to universal current) must be used.

An existing type A residual current device (RCD) must be exchanged for a type B RCD.

► If necessary, equipotential bonding with good galvanic contact must be guaranteed in compliance with all applicable local and national installation specifications.

Equipotential bonding must have an earth current rating > 10 mA

Accessories for equipotential bonding are not supplied and need to be ordered separately.

Plumbing

Only connect the washing machine to the water supply with the hoses supplied.

Cold water connection

For the cold water connection, one stopcock each with a $\frac{3}{4}$ " external thread is required.

The water inlet hose for cold water (blue stripes) is not intended to be used with a hot water connection.

Hot water connection

To minimise energy consumption during operation with hot water, the washing machine should be connected to a suitable hot water ring circuit if present.

So-called "transmission pipes" (single pipes to hot water generators) can result in cooling down of the water remaining in the pipes if not in constant use. More energy would then be consumed to heat the suds up again.

The temperature of the water intake must not exceed 70 °C on machines with electric heating (EL).

The machine must be connected to the water supply using the inlet hoses provided.

If there is no hot water supply at the installation location for the washing machine, the inlet hose for hot water must also be connected to the cold water supply. A Y-piece is required in this case. The cold water consumption increases accordingly to account for the missing hot water intake.

en - Installation notes

For functional and technical reasons it is not possible to operate the machine exclusively with a hot water connection.

Even if a hot water connection is present, the washing machine must be connected to a cold water intake.


Drain valve

In the case of washing machines with a drain valve, a motorised valve is used to drain the machine. An HT DN 70 angle connector can be used for draining the machine directly into the waste water system (without a siphon) or into an on-site floor drain (with odour trap).

Thanks to an improved closing mechanism and a larger cross-section, even the coarsest of soiling does not leave any deposits or debris behind which could result in blockages. The drain valve can also be operated manually to allow the suds container to be emptied in the event of a power outage.

A vented drainage system is vital for unimpeded drainage. If several machines are connected to a single drain pipe, this should be sufficiently large to allow all machines to drain simultaneously. The appropriate Miele installation kit (mat. no.: 05 238 090) is available to order from the Miele Customer Service Department or your Miele dealer for venting an HT DN 70 pipe. If the slope for drainage is extremely steep, the piping must be vented to prevent formation of a vacuum in the machine's drainage system.

Slow or obstructed drainage or a backup of water in the drum as a result of undersized pipework can result in faults occurring during programmes, which will result in fault messages appearing in the display.

 Outflowing suds can be as hot as 95 °C. Danger of burning!
Avoid direct contact.

Water connection for variants with reduced heater rating (RH)

The appliance should be connected to cold and hot water supplies. A minimum hot water temperature of 80 °C is recommended in order to use all programmes. Lower temperatures may result in longer programme running times or cause programmes to be interrupted. Water inlet temperatures below 60 °C are not permitted, as they can lead to significantly longer programme running times.

Water connection for variants with external heating (EH)

The appliance should be connected to cold and hot water supplies. A minimum hot water temperature of 80 °C is recommended. The use of disinfection programmes is not possible due to the absence of additional heating. The permissible wash temperatures are determined by the inlet temperature.

Water connection

For compliance to The Water Supply (Water Fittings) Regulations 1999, please fit the double check valves included in the scope of supply to the on-site water supply for every water inlet hose used. The double check valves prevent water from the inlet hoses flowing back into the on-site drinking supply.

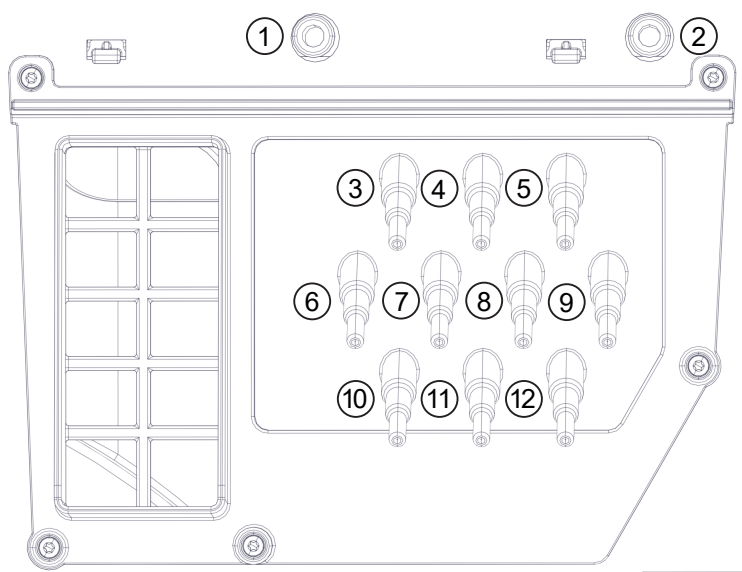
The flow pressure must be a minimum of 100 kPa and must not exceed 1000 kPa. If the flow pressure is higher than 1000 kPa, a pressure reducing valve must be used. The machine must be connected to the water supply using the inlet hoses included in the scope of supply.



The connection points are subject to water supply pressure. Turn on the stopcock slowly and check for leaks. Correct the position of the seal and screw thread if appropriate.

Dispensing pump connections

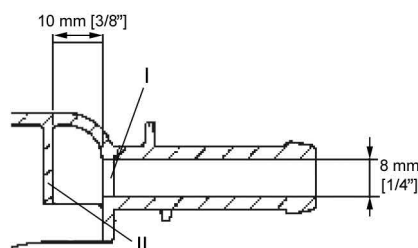
Up to 12 dispensing pumps can be connected to the washing machine.



Dispensing pump connections on the back of the machine

Connections **1** and **2** are provided for viscous agents and can also be used for high-pressure dispensing systems with water injection. The dispensing systems must be fitted with a separate drinking water safety mechanism in accordance with EN 61770 and EN 1717. The maximum flow rate is 1500 ml/min with a maximum flow pressure of 300 kPa.

These connectors are sealed and need to be drilled open using a 8 mm drill bit before connecting.



Make sure that you only drill through the first panel (**I**) as there is a deflecting panel (**II**) 10 mm behind it.

en - Installation notes

Connections **3** to **12** are provided for liquid detergent. High-pressure dispensing systems with water injection must not be connected to these connections. The connectors are sealed and must be cut to the diameter of the hose with a small saw before they are connected.

If opened connectors are no longer required, they must be resealed using a suitable sealant (e.g. silicone).

External dispensing pumps are connected and calibrated via the Connector Box, which is available as an option.

A flowmeter or flow sensors can also be connected for monitoring the dispensing quantity precisely.

Connections for level monitoring are available for every agent dispensed.

Optional accessories

Only use genuine Miele spare parts and accessories with this machine.

Using spare parts or accessories from other manufacturers will invalidate the warranty, and Miele cannot accept liability.

Hard water kit (APWM062)

The hard water connection on the washing machine can be retrofitted with the optional hard water kit (APWM062).

Thanks to the additional water connection, two different water hardnesses can be used to optimise the cleaning cycle. In addition, hard water is particularly suitable for the final rinse cycles.

APWM 019/020 Connector Box

The Connector Box allows external hardware from Miele and other suppliers to be connected to the Miele Professional washing machine. Flowmeters for the water inlet can also be connected to the Connector Box (APWM 065).

Peak load / energy management

A peak-load or energy management system can be connected via the Connector Box.

The energy management system monitors the energy consumption of a system and deactivates individual pieces of equipment temporarily by means of the peak-load negotiation in order to ensure that certain total load limits are not exceeded.

When the peak-load function is activated, the heating is deactivated and the programme stopped. A message appears in the display to inform you of this.

The programme is resumed automatically when the peak-load function finishes.

Liquid dispensing connection

External liquid dispensing pumps can be controlled by the Connector Box to dispense liquid detergents. An input for empty sensing is assigned to each dispensing pump output. These inputs can be used if required. In addition, flow meters can be connected to each dispensing outlet to monitor the dispensing quantity.

It is particularly important to follow the manufacturer's instructions when using a combination of cleaning agents and special application products.

Payment device

The washing machine can be fitted with a single-machine payment system as an optional accessory via the Connector Box.

The programming required for connecting a payment system can be carried out during the initial commissioning process. After initial commissioning, changes may only be carried out by your Miele dealer or the Miele Customer Service Department.

Please note that the status of the Connector Box must be set to "on" in the supervisor level as required. The payment system settings can be configured at the supervisor level.

The payment system is not activated via the supervisor level.

en - Installation notes

WiFi/LAN interface

The washing machine is equipped with a WiFi/LAN interface for exchanging data.


The data interface provided on the LAN connection complies with SELV (Safety Extra Low Voltage). The LAN connection uses a RJ45 connector in accordance with EIA/TIA 568-B.

Connected machines must also comply with SELV.

Plinth (APWM 022/035)

The washing machine can be installed on a plinth (open or box plinth, available as an optional Miele accessory).

Elevating the washing machine gives a better ergonomic working position when loading or unloading. It also simplifies the installation of a drain connection.

 The washing machine must be secured to the plinth immediately after installation! The plinth must be secured to the floor! There is a risk of the washing machine falling off a raised plinth during a spin cycle if it is not secured.

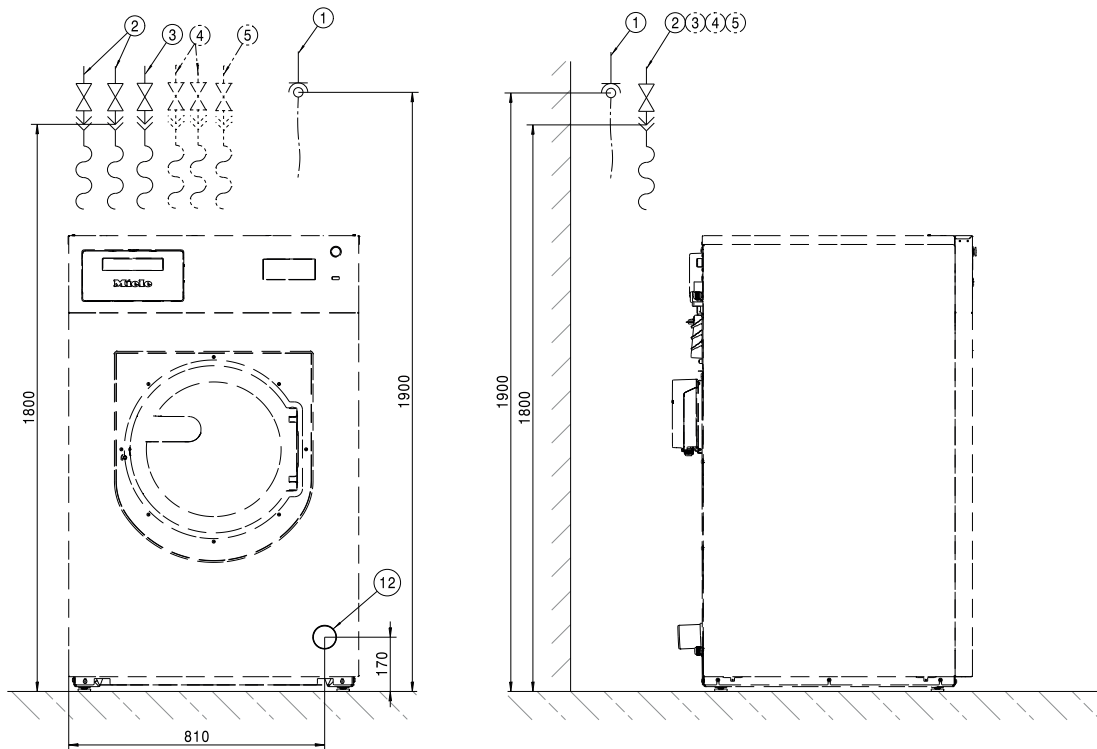
Vapour and foam venting kit (APWM 063)

If excessive suds form, foam may escape from the vapour vent. To remove the foam, an optional vapour and foam venting kit can be used (Not for use in the UK).

Wall drain

The drainage slope must be taken into account on site.

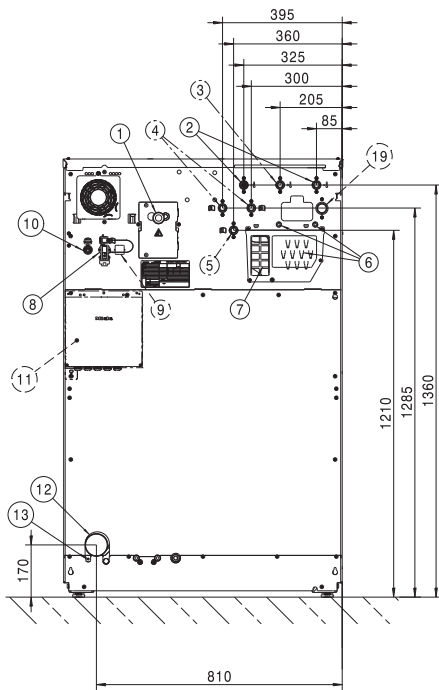
Standard



Dimensions in mm

- ① Electrical connection
- ② Cold water connection
- ③ Warm water connection/hot water connection (for EH and RH variants)
- ④ Cold water connection for hard water (optional)
- ⑤ Cold water connection for liquid dispensing
- ⑫ Drain pipe

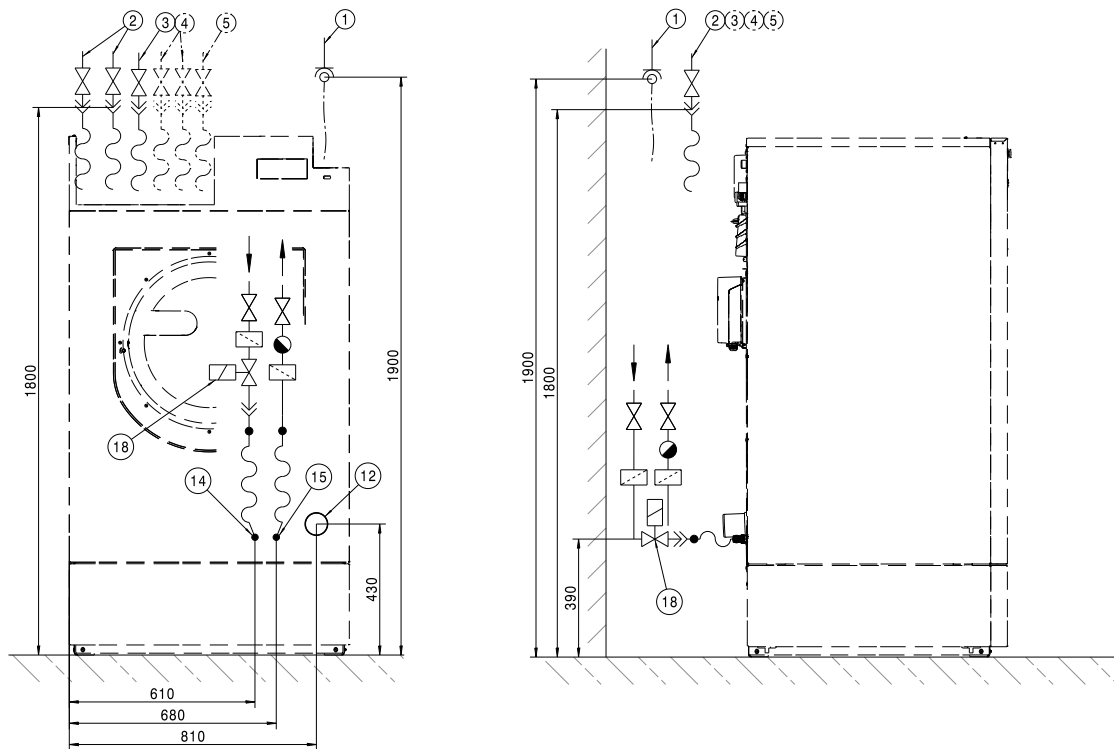
en - Installation



Dimensions in mm

- ① Electrical connection
- ② Cold water connection
- ③ Warm water connection/hot water connection (for EH and RH variants)
- ④ Cold water connection for hard water (optional)
- ⑤ Cold water connection for liquid dispensing
- ⑥ Dispensing pump connections
- ⑦ Overflow and ventilation
- ⑧ Connector Box connection
- ⑨ Connector Kit connection (optional)
- ⑩ LAN connection
- ⑪ Connector Box (optional)
- ⑫ Drain pipe
- ⑬ Connection for equipotential bonding
- ⑭ Water recovery connection (optional)

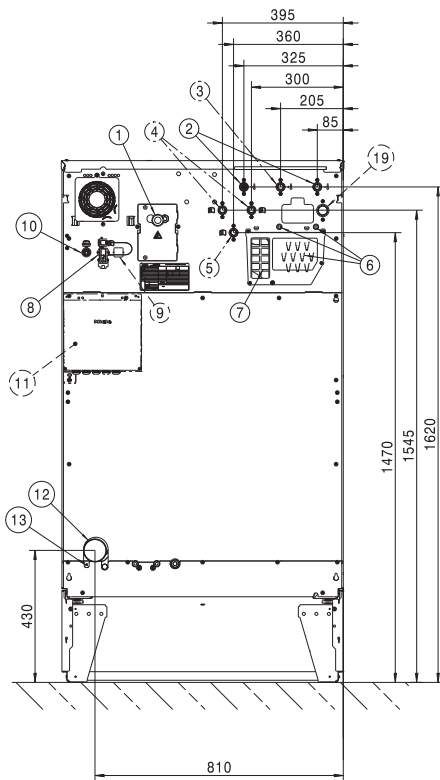
Plinth



Dimensions in mm

- ① Electrical connection
- ② Cold water connection
- ③ Warm water connection/hot water connection (for EH and RH variants)
- ④ Cold water connection for hard water (optional)
- ⑤ Cold water connection for liquid dispensing
- ⑫ Drain pipe

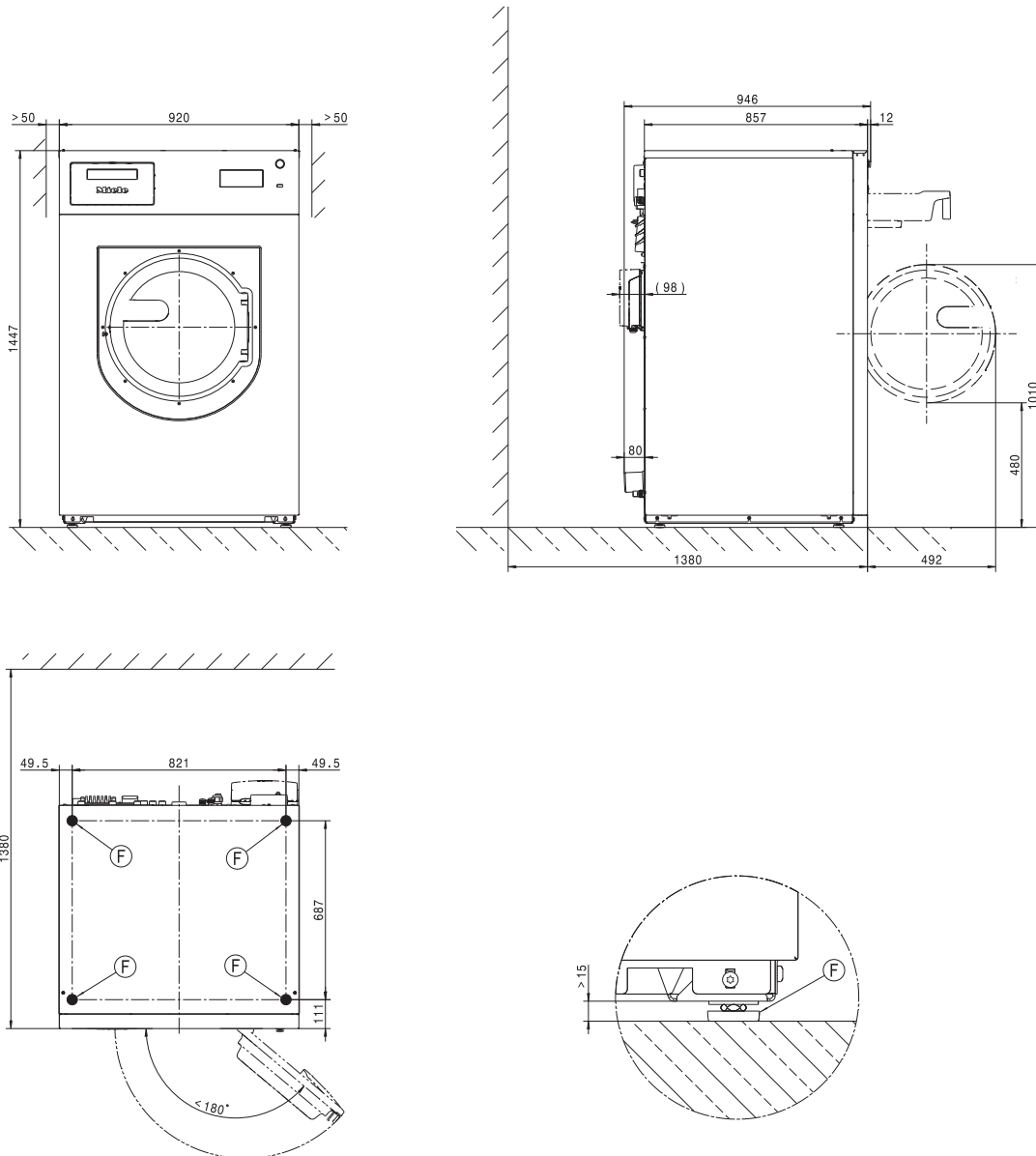
en - Installation



Dimensions in mm

- | | |
|---|--|
| ① Electrical connection | ⑧ Connector Box connection |
| ② Cold water connection | ⑨ Connector Kit connection (optional) |
| ③ Warm water connection/hot water connection (for EH and RH variants) | ⑩ LAN connection |
| ④ Cold water connection for hard water (optional) | ⑪ Connector Box (optional) |
| ⑤ Cold water connection for liquid dispensing | ⑫ Drain pipe |
| ⑥ Dispensing pump connections | ⑬ Connection for equipotential bonding |
| ⑦ Overflow and ventilation | ⑭ Water recovery connection (optional) |

Standard

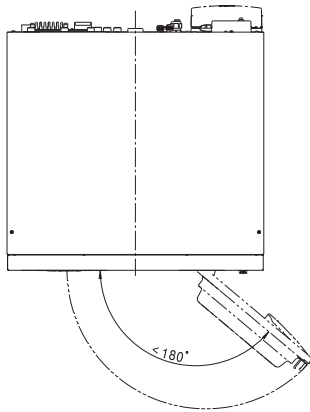
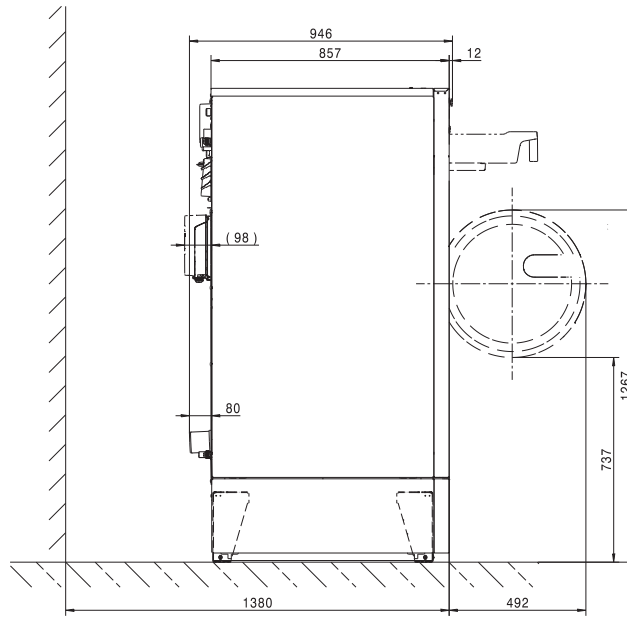
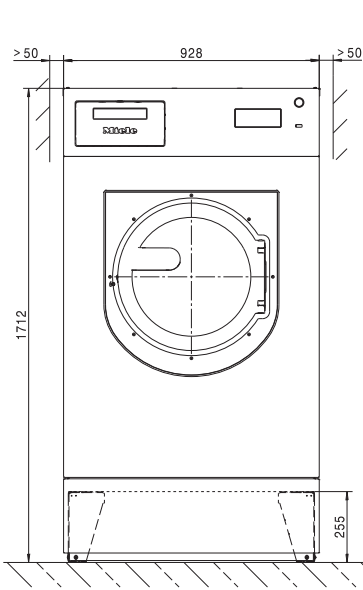


Dimensions in mm

ⓕ Machine foot

en - Installation

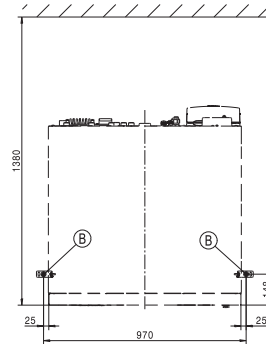
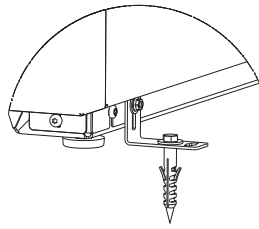
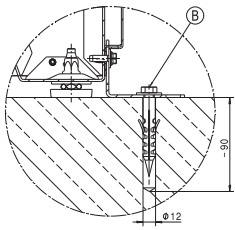
Plinth



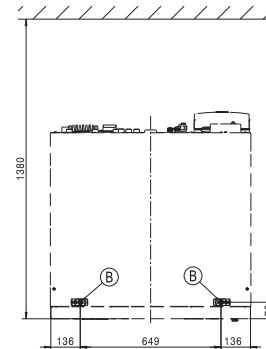
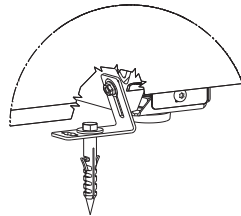
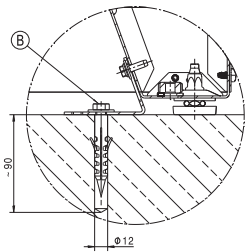
Dimensions in mm

Floor anchoring

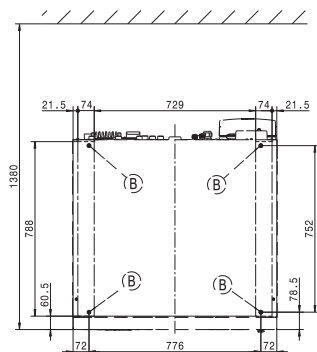
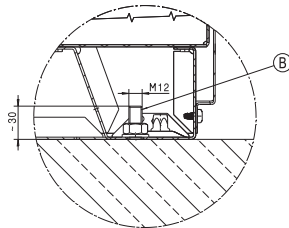
Standard



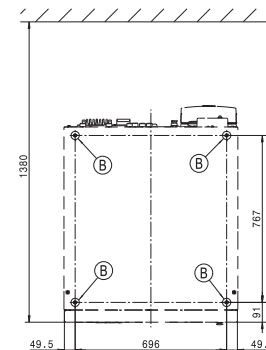
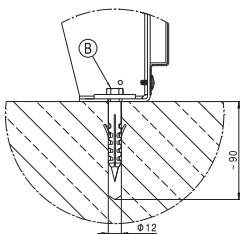
Multiple side-by-side installation



Marine applications



Plinth



Dimensions in mm

ⓑ Screw/anchor point

en - Technical data

Voltage versions and electrical data

3N AC 400 V EL DV

Supply voltage	3N AC 400 V
Frequency	50/60 Hz
Required fuse rating (on site)	25 A
Circuit breaker trip characteristic	Type B
Power rating	16 kW
Connection cable, min. cross-section	4 mm ²

3N AC 400 V RH

Supply voltage	3N AC 400 V
Frequency	50/60 Hz
Required fuse rating (on site)	16 A
Power rating	10 kW
Connection cable, min. cross-section	2,5 mm ²

3 AC 230 V EL DV

Supply voltage	3 AC 230 V
Frequency	50/60 Hz
Required fuse rating (on site)	50 A
Circuit breaker trip characteristic	Type B
Power rating	16 kW
Connection cable, min. cross-section	10 mm ²

Plumbing

Cold water connection

Required flow pressure	100 - 1000 kPa (1 - 10 bar)
Maximum flow rate	31,5 l/min
Threaded union required (male thread, to be provided by customer in accordance with DIN 44991, flat sealing)	3 x 3/4"
Length of water inlet hose supplied	3 x 1550 mm

Hot water connection

Maximum permissible hot water temperature	60 °C
Required flow pressure	100 - 1000 kPa (1 - 10 bar)
Maximum flow rate	16 l/min
Threaded union required (male thread, in accordance with DIN 44991, flat sealing)	1 x 3/4"
Length of water inlet hose supplied	1550 mm

Hot water connection (for variants without heating or with reduced heater rating)

Maximum permissible hot water temperature	90 °C
Required flow pressure	100 - 1000 kPa (1 - 10 bar)
Maximum flow rate	16 l/min
Threaded union required (male thread, in accordance with DIN 44991, flat sealing)	1 x 1"
Length of water inlet hose supplied	1550 mm

Hard water connection (optional)

Required flow pressure	100 - 1000 kPa (1 - 10 bar)
Maximum flow rate	32 l/min
Threaded union required (male thread, in accordance with DIN 44991, flat sealing)	2 x 3/4"
Length of water inlet hose supplied	2 x 1550 mm

Average water consumption for a standard programme (Cottons 60 °C)

Cold water – soft	47 l/h
if no hard water connection	100 l/h
Hot water – soft	85 l/h
Cold water – hard	53 l/h

Drainage

Maximum drain water temperature	95 °C
Waste water connection (on machine)	Plastic pipe HT DN 70
Drain (on site)	Connection DN 70
Maximum drainage rate	200 l/min

Connection for equipotential bonding

Male thread	M10
Toothed washers	M10

en - Technical data

Installation dimensions

Casing width (without add-on components)	920
Casing height (without add-on components)	1447
Casing depth (without add-on components)	857
Overall machine width	924
Overall machine height	1450
Overall machine depth	946
Minimum width of transport opening	1030
Minimum safety distance between wall and back of machine	1380
Diameter of door opening	415
Door opening angle	180°

Anchoring

Standard

Required anchor points	2
DIN 571 wood screw (diameter x length)	12 mm x 90 mm
Rawl plugs (diameter x length)	14 mm x 80 mm

With plinth (APWM)

Required anchor points	4
DIN 571 wood screw (diameter x length)	12 mm x 90 mm
Rawl plugs (diameter x length)	14 mm x 80 mm

Concrete plinth

Required anchor points	2
DIN 571 wood screw (diameter x length)	12 mm x 90 mm
Rawl plugs (diameter x length)	14 mm x 80 mm

Transport data, weight and floor load

Packaging width	1090 mm
Packaging height	1585 mm
Packaging depth	1130 mm
Gross volume	1952 l
Gross weight*	426 kg
Net weight*	402 kg
Maximum floor load in operation*	6089 N






*depending on equipment configuration

Emissions data

Workplace-related sound pressure level, washing	54 dB (A)
Sound power level, washing	62,0 dB (A)
Workplace-related sound pressure level, spinning	67 dB (A)
Sound power level, spinning	77,0 dB (A)
Average heat dissipation rate to installation room	6,48 MJ/h
Emission sound pressure level	67 dB (A) re 20 µPa

Pokyny k instalaci	24
Vysvětlení bezpečnostních pokynů a varovných upozornění na přístroji	24
Předpoklady instalace.....	24
Všeobecné provozní podmínky.....	24
Umístění	24
Umístění na betonovém soklu	25
Vyrovnání	25
Upevnění.....	26
Elektrické připojení	26
Připojení vody.....	27
Upozornění pro Švýcarsko.....	27
Pozor v Rakousku.....	27
Přípojka studené vody.....	27
Připojení na teplou vodu	27
Vypouštěcí ventil.....	27
Připojení na vodu u variant s redukováným topným výkonem (RH)	28
Připojení na vodu u variant s externím topením (EH)	28
Přípojky dávkovacích čerpadel	29
Zvláštní vybavení/příslušenství k dokoupení	31
Sada pro připojení tvrdé vody (APWM062).....	31
Připojovací box APWM019/020	31
Rozhraní WiFi/LAN.....	32
Podstavec (APWM022/035).....	32
Sada pro odvádění par a pěny (APWM 063)	32
Instalace	33
Standard	33
Sokl	35
Umístění	37
Standard	37
Sokl.....	38
Upevnění do podlahy	39
Technické údaje	40
Varianty napětí a elektrické údaje.....	40
Připojení vody.....	41
Přípojka studené vody.....	41
Přípojka teplé vody	41
Přípojka horké vody (u variant bez ohřevu nebo s redukováným topným výkonem).....	41
Přípojka tvrdé vody (volitelně).....	41
Průměrná spotřeba vody pro standardní program (barevné prádlo 60 °C)	41
Odtok odpadní vody.....	41
Přípoj pro vyrovnání potenciálů	41
Instalační rozměry	42
Upevnění.....	42
Přepravní údaje, hmotnost a zatížení podlahy.....	42
Údaje o emisích	42

Vysvětlení bezpečnostních pokynů a varovných upozornění na přístroji

	Přečtěte si návod k obsluze
	Pozor, horké povrchy
	Pozor, napětí až 1 000 voltů
	Ochranné uzemnění
	Vyrovnání potenciálů

Předpoklady instalace

Pračku smí nainstalovat jen servisní služba Miele nebo vyškolený personál pověřeného specializovaného prodejce.

- ▶ Instalace musí být provedena podle platných pravidel a norem. Kromě toho musí být respektovány předpisy místního dodavatele energií a vodárny.
- ▶ Pračku provozujte vždy jen v dostatečně větraných místnostech, které nejsou ohrožené mrazem.

Pračka není určena pro provoz v oblastech ohrožených výbuchem!

Všeobecné provozní podmínky

Pračka je určena výhradně pro použití v živnostenské oblasti a smí se používat jen ve vnitřních prostorech.

- teplota okolí: 0-40 °C
- relativní vlhkost vzduchu: bez kondenzace
- maximální nadmořská výška instalace: 2000 m

Podle charakteru místa instalace může docházet k přenosu zvuku nebo vibrací.

Tip: Při zvýšených požadavcích na protihlukovou ochranu nechte místo instalace přístroje posoudit pracovníkem kvalifikovaným v ochraně proti hluku.

Umístění

Dopravte pračku zvedacím vozíkem na místo instalace a odstraňte přepravní obal.

Pračka musí být umístěna na naprosto rovné, vodorovné a pevné ploše, která je dimenzovaná přinejmenším na uvedené zatížení podlahy (viz kapitola „Technické údaje“).

Tip: Jako instalační plocha je nejvhodnější betonová podlaha. Ta se na rozdíl od podlahy z dřevěných trámů nebo jiné „měkké“ podlahy jen zřídka rozkmitá při odstředování.

Pračka zatěžuje instalační plochu podlahy plošně v oblasti noh přístroje.

Kvůli dynamickým pohybům přístroje během provozu vyžaduje pračka boční odstupy nejméně 50 mm. Vzdálenost zadní strany přístroje od zadní stěny by měla být nejméně 400 mm.

Pračka nesmí být postavena na kobercové podlaze.

Přípevněte pračku upevňovacím materiálem, který je součástí dodávky, v určených upevňovacích bodech na podlaze.

Dodaný upevňovací materiál je koncipován pro upevnění pomocí hmoždinek na betonové podlaze. Při jiném konstrukčním provedení podlahy v místě instalace musí upevňovací materiál zajistit investor.

Umístění na betonovém soklu

Existuje možnost umístit pračku na betonový sokl.

Jakost betonu a pevnost betonového soklu je nutno dimenzovat podle zatížení podlahy uvedeného v kapitole „Technické údaje“.

- Pro zajištění stability přístroje dbejte na to, aby betonový sokl stál na podlaze dostatečně pevně a vydržel zatížení dané pračkou.
- Pračku po umístění soklu bezpodmínečně připevněte dodaným upevňovacím materiálem.

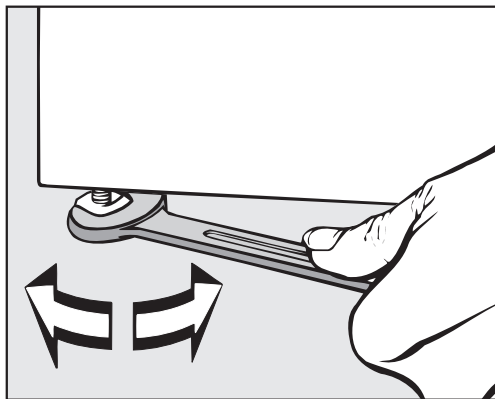
⚠ Po umístění musí být pračka bezpodmínečně upevněna na betonovém soklu!
Bez upevnění hrozí nebezpečí, že pračka při odstředování spadne ze soklu.

Vyrovnaní

- Po umístění vyrovnejte pračku v podélném i příčném směru nastavitelnými nohama a vodováhou do vodorovné polohy.

Aby byl zajištěn bezvadný a energeticky účinný provoz, musí pračka stát rovnoměrně a vodorovně na všech čtyřech nohách. Jinak se zvýší spotřeba vody a energie a pračka se může pohybovat po podlaze.

- Po vyrovnaní utáhněte pojistné matice otáčením klíče proti směru hodinových ručiček, aby se nohy nemohly přestavit.



Upevnění

- Pro zajištění polohy upevněte pračku dodaným upevňovacím materiálem přes nohy na podlaze.

Dodaný upevňovací materiál je koncipován pro upevnění pomocí hmoždinek na betonové podlaze. Při jiném konstrukčním provedení podlahy v místě instalace musíte upevňovací materiál objednat zvlášť.

Elektrické připojení

Elektrické připojení smí provést výhradně kvalifikovaný elektrikář, který je plně odpovědný za dodržení existujících norem a elektroinstalačních předpisů.

► Pračka musí být připojena k elektrické instalaci provedené podle národních a místních předpisů. Kromě toho je nutno respektovat předpisy příslušných dodavatelů energií a pojistitelů, bezpečnostní předpisy a uznávaná pravidla techniky.

► Potřebné přípojné napětí, příkon a specifikace pro externí jištění jsou uvedeny na typovém štítku pračky. Než budete pračku připojovat k elektrické síti, přesvědčte se, že napěťové hodnoty elektrické sítě souhlasí s napěťovými údaji na typovém štítku!

Při připojení k přípojnému napětí lišícímu se od typového štítku může dojít k poruchám funkce nebo k závadě pračky!

Pokud je na typovém štítku uvedeno několik hodnot napětí, tak servisní služba Miele může pračku přepnout pro připojení na příslušné hodnoty napětí.

► Napětí smí přepnout výhradně servisní služba Miele nebo pověřená specializovaná prodejna. Přitom je nutné respektovat návod na změnu zapojení uvedený ve schématu zapojení.

Pračku je možné elektricky připojit buď pevně, nebo přes zásuvku podle IEC 60309-1. Pro pevné připojení musí být v místě instalace nainstalované odpojovací zařízení odpojující všechny póly sítě.

Za odpojovací zařízení sítě se považují vypínače se vzdáleností rozpojených kontaktů větší než 3 mm. Patří k nim např. proudové chrániče, jističe a stykače (IEC/EN 60947).

Odpojovací zařízení sítě (včetně zástrčky) je nutno zajistit proti neúmyslnému a neautorizovanému opětovnému zapnutí, jestliže nelze z každého přístupového místa kontrolovat trvalé přerušení přívodu energie.

Tip: Přednostně nechte pračku připojit na zástrčku, aby bylo snadněji možné provádět zkoušky elektrické bezpečnosti (např. při údržbě).

► Jestliže je podle místních předpisů nutné nainstalovat proudový chránič FI (RCD), musí být povinně použit chránič typu B (citlivý na všechny proudy).

Stávající proudový chránič (RCD) typu A musí být nahrazen RCD typu B.

► Podle místních a národních instalačních předpisů musí být případně provedeno vyrovnání potenciálů spojem s dobrým kontaktem.

Vyrovnaní potenciálů je třeba provést při svodovém proudu >10 mA.
Příslušenství nutné pro vyrovnaní potenciálů není součástí dodávky.

Připojení vody

Upozornění pro Švýcarsko

Podle normy SIA 385.351/EN 1717 a doporučení SVGW má být ve-
stavěn zpětný ventil. Zpětný ventil odpovídající normám obdržíte
u svého instalatéra sanitární techniky.

Pozor v Rakousku

Pro spojovací potrubí místa připojení na přístroji s vnitřním zařízením
je nutno použít pouze trubky uvedené v §12, odst.1 Nařízení k provádění
zákonu o zásobování vodou 1960.

Použití gumových a plastových hadic jako tlakového spojovacího po-
trubí mezi vnitřním zařízením a přístrojem je dovoleno jen tehdy, když:

- včetně napojených připojovacích armatur vydrží minimální trvalý tlak 1500 kPa (15 bar),
- jsou pod dostatečným dozorem během uvádění přístroje do provozu a
- jsou vždy po použití přístroje spolehlivě uvedeny mimo provoz zablokováním přívodu vody před gumovou nebo plastovou hadicí nebo vůbec odpojeny od vnitřního zařízení.

Přípojka studené vody

Pro připojení studené vody je vždy nutný 1 vodovodní kohoutek
s vnějším závitem $\frac{3}{4}$ ".

Přívodní hadice studené vody (modré proužky) není vhodná pro
připojení teplé vody.

Připojení na teplou vodu

Pro zachování co nejmenší spotřeby energie během provozu s teplou
vodou by pračka měla být připojena na okružní potrubí teplé vody.
Takzvaná „paprsková potrubí“ (jednotlivá potrubí k výrobníku teplé
vody) vedou při nestálém používání k ochlazování vody nacházející se
v potrubí. Na zahřátí pracího roztoku by se pak muselo použít více
elektrické energie.

Na připojení teplé vody použijte dodanou přívodní hadici (červené
proužky).

U variant přístrojů s elektrickým ohřevem (EL) smí být teplota naté-
kající teplé vody maximálně 70 °C.

U variant přístrojů bez ohřevu (EH) a s redukováným topným výko-
nem (RH) smí být teplota natékající teplé vody maximálně 90 °C.

Pro připojení smí být použity jen dodané přívodní hadice.

Pokud není k dispozici potrubí teplé vody, musí být přívodní hadice pro
teplou vodu připojena rovněž k napájení studenou vodou. V tomto pří-
padě je nutný Y kus navíc. Spotřeba studené vody pračky se přitom
zvýší o původně potřebné množství teplé vody.

Z funkčních a technologických důvodů není možný provoz výhradně
s teplou vodou.

Pračka musí být připojena na přívod studené vody, i když je k dispo-
zici přípojka teplé vody.

cs - Pokyny k instalaci

Vypouštěcí ventil

U praček s vypouštěcím ventilem se vypouštění prací lázně provádí ventilem, který je poháněn motorem. Vypouštěcí ventil lze připojit přes běžné úhlové hrdlo HT DN 70 přímo na systém odpadní vody (bez sifonu) nebo na podlahový odvod vody (podlahovou výpust s pachovým uzávěrem).

Díky optimalizovanému uzavíracímu mechanismu a zvětšenému vypouštěcímu průřezu téměř nemůže docházet k vytváření usazenin a ucpávání ani při hrubých nečistotách. Aby bylo možné vyprázdnit prací vanu i při výpadku napětí, je vypouštěcí ventil pro tento výjimečný případ vybavený manuálním ovládacím zařízením.

Pro nerušené vypouštění je nutná odvětraná instalace potrubí. Pokud je připojeno několik přístrojů k jednomu sběrnému potrubí, musí mít sběrné potrubí pro současný provoz všech přístrojů průřez odpovídající velikosti.

K odvětrání trubky HT DN 70 můžete prostřednictvím servisní služby Miele nebo specializovaného obchodu Miele zakoupit vhodnou montážní sadu Miele č. m. 05 238 090.

Při příliš velkém spádu odtoku je třeba pamatovat na odvětrání trubek, aby v odtokovém systému pračky nemohlo vznikat vakuum.

Při zpožděních odtoku vody nebo při zpětném vzduť v pracím bubnu (kvůli příliš malému průřezu potrubí) se mohou vyskytovat poruchy provádění programu, které vedou k chybovým hlášením v přístroji.

⚠ Odtékající prací lázeň může mít teplotu až 95 °C. Hrozí nebezpečí popálení!

Vyhýbejte se přímým dotykům.

Připojení na vodu u variant s redukováním výkonem (RH)

Přístroj by měl být připojen na studenou a teplou vodu. Aby bylo možné využívat všechny programy, doporučuje se teplota teplé vody min. 80 °C. Nižší teploty mohou vést k prodloužení dob trvání nebo stornování programů. Teploty napouštěné vody nižší než 60 °C nejsou přípustné, protože vedou k silným prodloužením dob trvání.

Připojení na vodu u variant s externím topením (EH)

Přístroj by měl být připojen na studenou a teplou vodu. Doporučuje se teplota teplé vody min. 80 °C. Používání dezinfekčních programů není zásadně možné kvůli chybějícímu dotápení. Teplota na přítoku určuje použitelné teploty praní.

Jen pro Německo

Pro ochranu pitné vody musí být namontovaný zpětný ventil mezi vodovodním kohoutkem a přípojkou vody pračky. Při odborně provedené domovní instalaci jsou k tomu určeny přípojky (např. nárožní ventil) tímto bezpečnostním zařízením již vybavené. Zajistěte, aby byl ve Vaší domovní instalaci zpětný ventil.

Při použití zvláštního zpětného ventilu dbejte na následující pořadí:

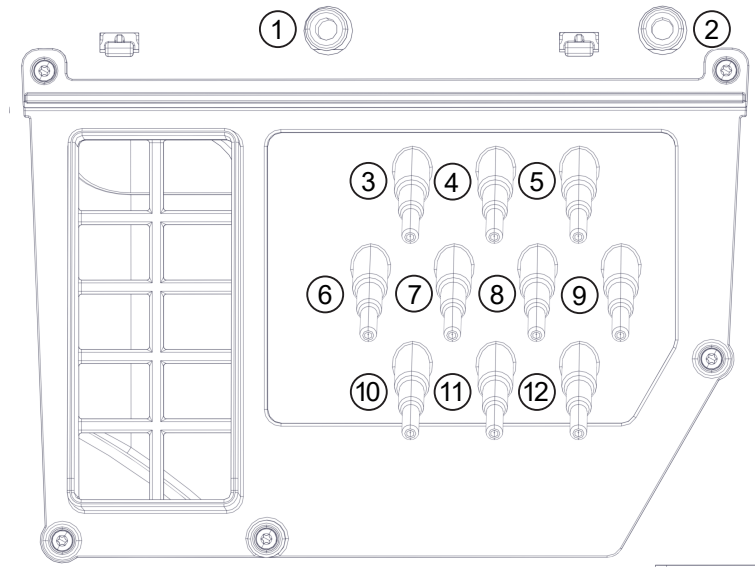
1. Připevněte zpětný ventil k přípojce vody.
2. Připevněte přívodní hadici vody ke zpětnému ventilu.

⚠ Ohrožení zdraví a škody vinou znečištěné přitékající vody. Kvalita přitékající vody musí odpovídat specifikaci pitné vody země, v níž se pračka provozuje. Pračku připojte vždy na pitnou vodu.

⚠ Šroubovací objímky jsou pod tlakem vodního potrubí. Pomalým otvíráním vodovodních kohoutků zkontrolujte, zda jsou přípoje utěsněné. Případně opravte usazení těsnění a šroubovací objímku.

Přípojky dávkovacích čerpadel

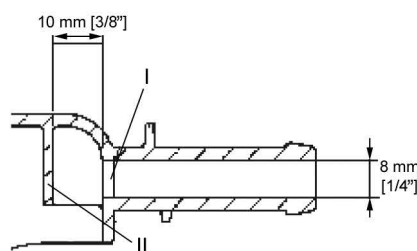
K pračce lze připojit až 12 dávkovacích čerpadel.



Přípojky dávkovacích čerpadel na zadní straně přístroje

Přípojky **1 a 2** jsou určeny pro dávkování gelových prostředků a lze je použít také pro vysokotlaká dávkovací zařízení se zaplavením vodou. Dávkovací zařízení musí být vybavená zvláštním zařízením pro ochranu pitné vody podle EN 61770 a EN 1717. Maximální průtok je 1 500 ml/min při maximálním průtočném tlaku 300 kPa.

Tato připojovací hrdla jsou uzavřená a před připojením musí být provrtána vrtákem o průměru 8 mm.



Uvědomte si, že smí být provrtána jen první stěna (I), protože již 10 mm za první stěnou se nachází nárazníková stěna (II).

Přípojky **3 až 12** jsou určeny pro tekuté prací prostředky. K těmto přípojkám se nesmí připojovat vysokotlaká dávkovací zařízení se zaplavením vodou. Připojovací hrdla jsou uzavřená a před připojením musí být malou pilkou odřezána až na průměr hadice.

Až už otevřená připojovací hrdla nebudou využívána, musí být opět uzavřena vhodným utěšňovacím materiálem (např. silikonem).

cs - Pokyny k instalaci

Připojení a kalibrace externích dávkovacích čerpadel se provádí přes připojovací box, který je k dostání na přání.

Pro přesné zjišťování dávkovaného množství lze navíc připojit také průtokoměry nebo snímače průtoku.

Pro každý používaný dávkovaný prostředek jsou k dispozici přípojky pro kontrolu prázdného stavu.

Zvláštní vybavení/příslušenství k dokoupení

Součásti příslušenství se smí namontovat a vestavět jen tehdy, když jsou výslovně schválené společností Miele.

Pokud budou namontovány nebo vestavěny jiné díly, zaniká jakákoli záruka a/nebo ručení poskytované společností Miele.

Sada pro připojení tvrdé vody (APWM062)

Pračku lze pomocí sady pro připojení tvrdé vody (APWM062) dodatečně vybavit volitelnou přípojkou pro tvrdou vodu.

Díky doplňkové přípojce vody lze používat tvrdou vodu a tím zkrátit dobu trvání programu. Tvrdá voda je navíc zvláště vhodná pro závěrečná máchání.

Připojovací box APWM019/020

Pomocí připojovacího boxu lze k přístroji Miele Professional připojit externí hardware od Miele a jiných dodavatelů.

K připojovacímu boxu je možno připojit také průtokoměry pro napouštění vody (APWM065).

Energetická špička/řízení energie

Přes připojovací box lze připojit systém řízení vypnutí při energetické špičce nebo řízení energie.

Systém řízení energie sleduje spotřebu elektrické energie objektu, aby systémem vypnutí ve špičce cíleně krátkodobě deaktivoval jednotlivé elektrické části a tím zabránil překročení mezního zatížení.

Při aktivaci funkce vypnutí při energetické špičce se odpojí topení a zastaví program. Na displeji se pak objeví příslušné hlášení.

Po skončení funkce vypnutí ve špičce program automaticky pokračuje.

Přípojka pro dávkování tekutého prostředku

Pro dávkování s tekutými pracími prostředky lze prostřednictvím připojovacího boxu ovládat externí dávkovací čerpadla. Každému výstupu dávkovacího čerpadla je přiřazen vstup pro rozpoznání prázdného stavu. Tyto vstupy lze v případě potřeby použít. Navíc lze pro sledování dávkovaného množství připojit ke každému dávkovacímu výstupu průtokoměr (snímač průtoku).

Při používání a kombinování pomocných pracích prostředků a speciálních produktů bezpodmínečně dodržujte pokyny k použití od výrobců.

Inkasní zařízení

Pračka může být přes připojovací box vybavena inkasním systémem jako příslušenstvím k dokoupení.

Potřebné programování je možno provést během prvního uvádění do provozu. Po skončení prvního uvedení do provozu může změny provádět jen specializovaný prodejce Miele nebo servisní služba Miele.

Upozorňujeme, že status připojovacího boxu musí být v případě potřeby nastaven v uživatelské úrovni na „zap.“. V uživatelské úrovni pak lze provádět nastavení inkasního systému.

Aktivace inkasního systému se neprovádí v uživatelské úrovni.

cs - Pokyny k instalaci

Rozhraní WiFi/ LAN

Pračka je vybavená rozhraním WiFi/LAN pro výměnu dat. Datové rozhraní na přípojce LAN odpovídá SELV (malé napětí). Připojení k LAN se provádí zástrčkou RJ45 dle EIA/TIA 568B.

Připojené přístroje musí rovněž odpovídat SELV.

Podstavec (APWM022/035)

Pračku lze volitelně umístit s podstavcem (jako příslušenstvím Miele k dokoupení v otevřeném nebo uzavřeném provedení).

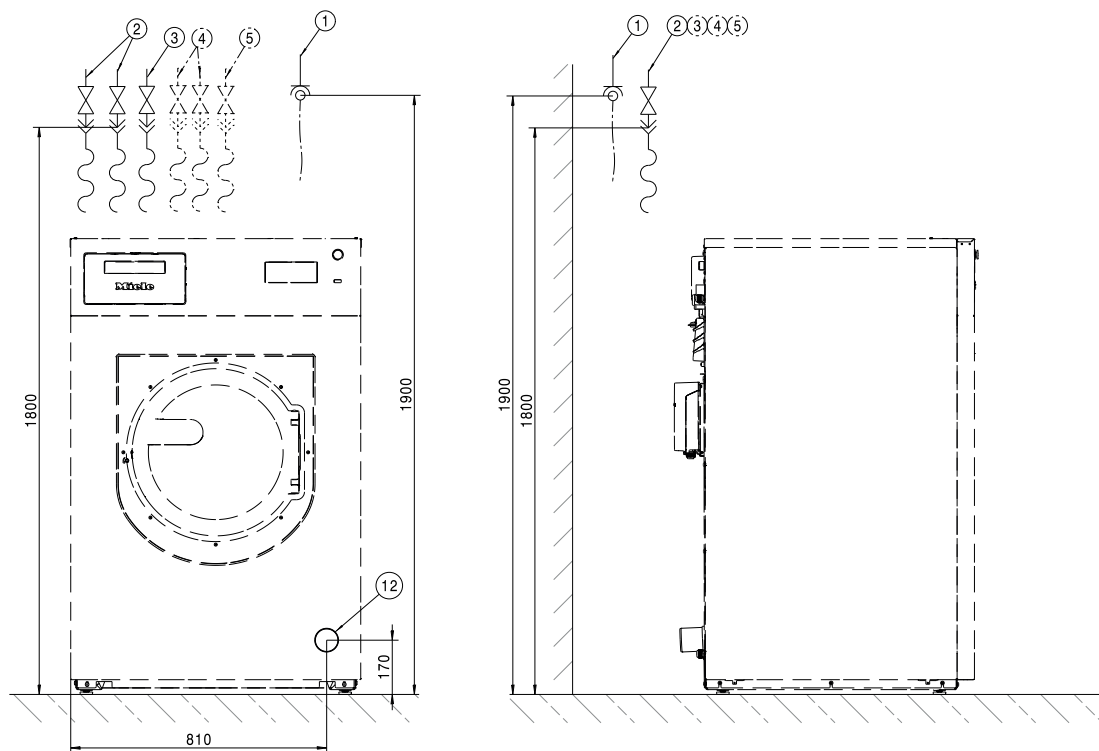
Zvýšená poloha pračky zajišťuje ergonomičtější práci při plnění a vyprazdňování. Současně umožňuje jednoduchou instalaci přípojky odpadní vody.

⚠ Po umístění musí být pračka na podstavci bezpodmínečně upevněna! Podstavec musí být upevněn na podlaze!
Bez upevnění hrozí nebezpečí, že pračka při odstředování spadne.

Sada pro odvádění par a pěny (APWM 063)

Při intenzivnější tvorbě pěny může pěna vystupovat z odtahu výparů. Pro odvádění pěny je možné použít volitelnou montážní sadu pro odvádění výparů a pěny.

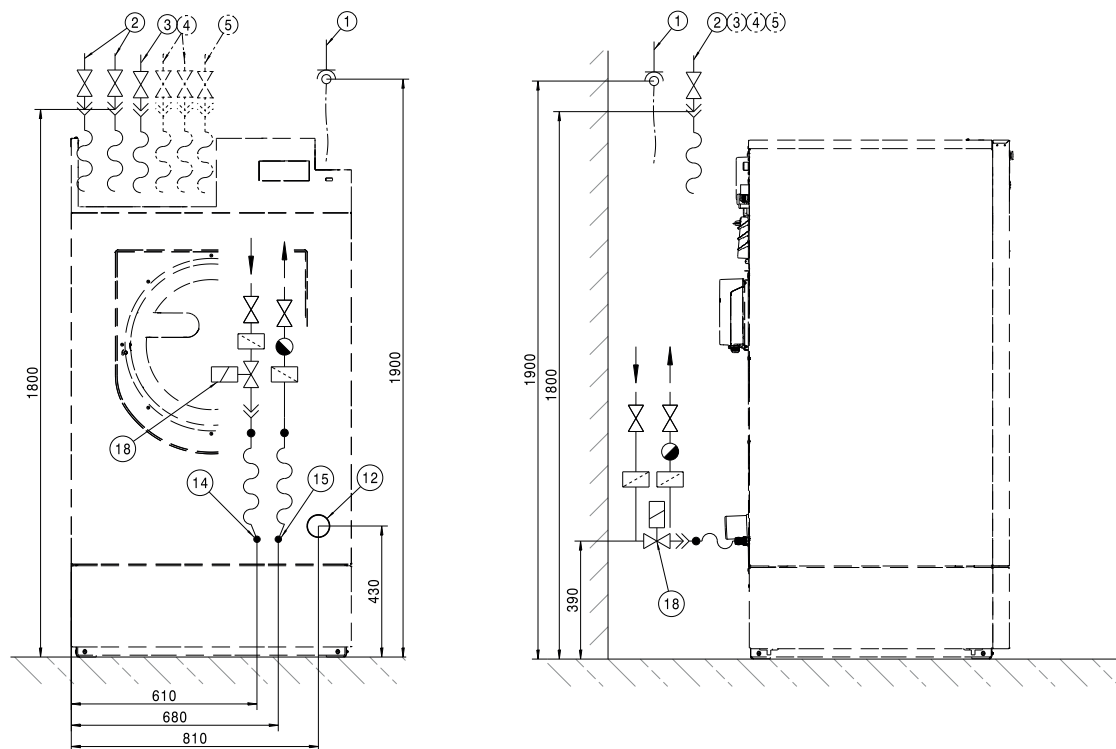
Standard



Rozměry v milimetrech

- ① Elektrická přípojka
- ② Přípojka studené vody
- ③ Přípojka teplé vody/přípojka horké vody (u variant EH a RH)
- ④ Přípojka studené tvrdé vody (volitelně)
- ⑤ Přípojka studené vody pro dávkování tekutých prostředků
- ⑫ Vypouštěcí trubka

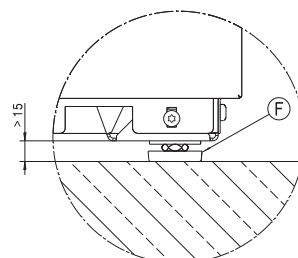
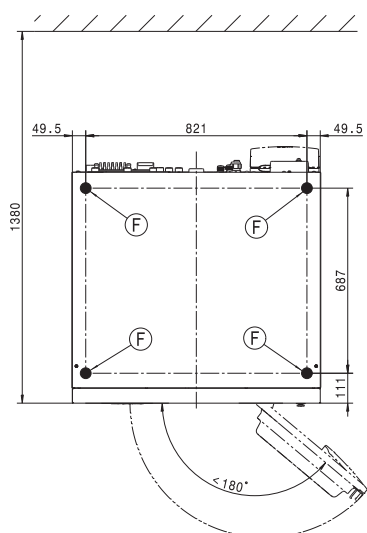
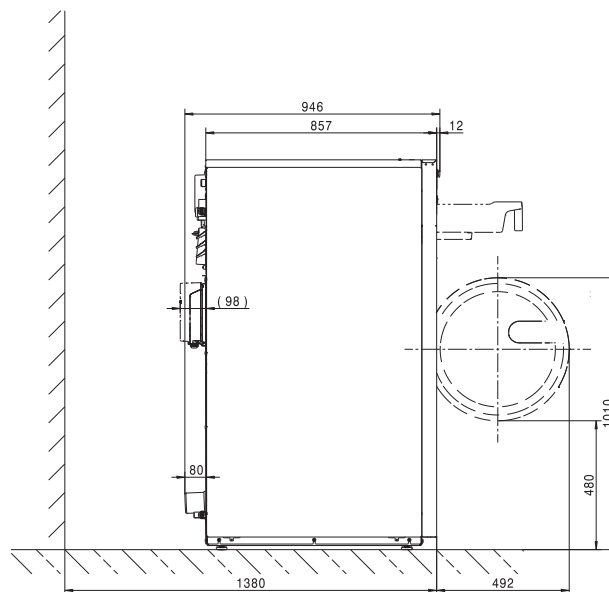
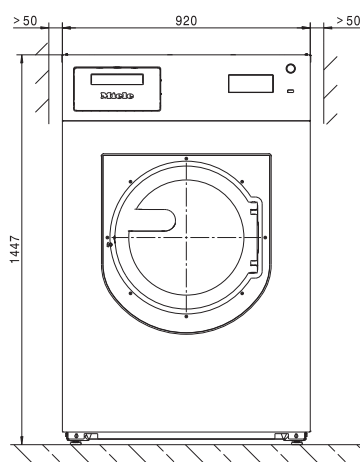
Sokl



Rozměry v milimetrech

- ① Elektrická přípojka
- ② Přípojka studené vody
- ③ Přípojka teplé vody/přípojka horké vody (u variant EH a RH)
- ④ Přípojka studené tvrdé vody (volitelně)
- ⑤ Přípojka studené vody pro dávkování teklutých prostředků
- ⑫ Vypouštěcí trubka

Standard

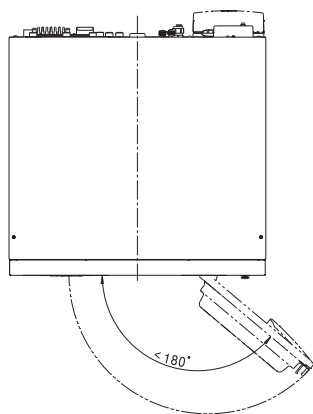
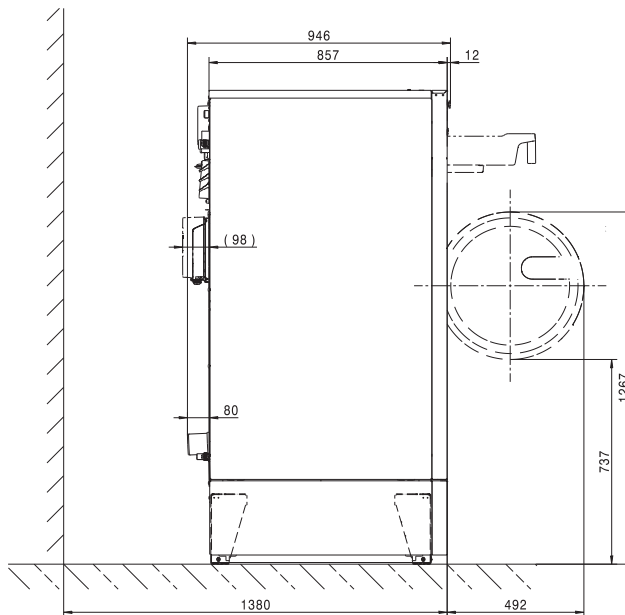
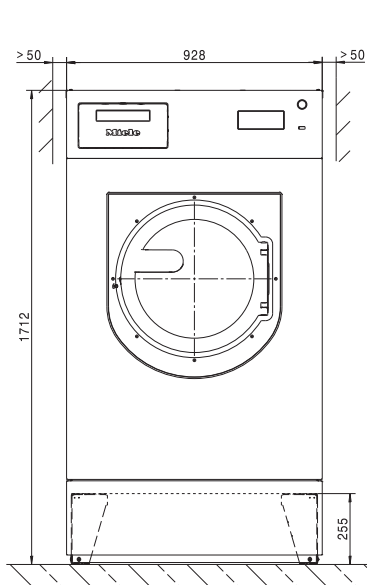


Rozměry v milimetrech

ⓕ Noha

cs - Umístění

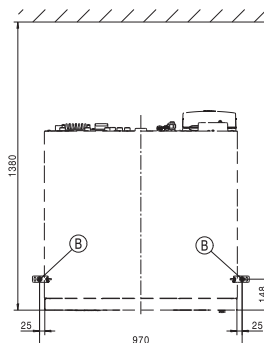
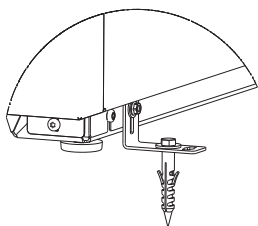
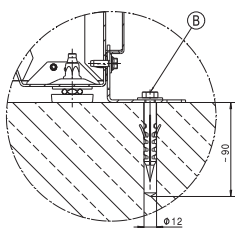
Sokl



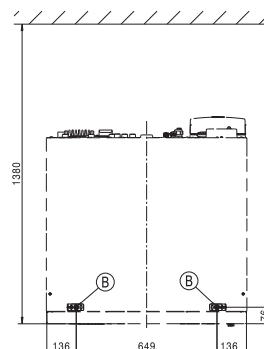
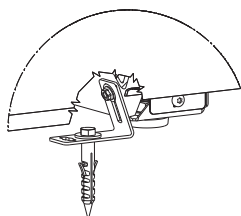
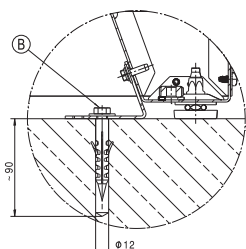
Rozměry v milimetrech

Upevnění do podlahy

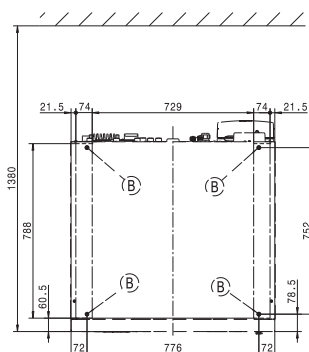
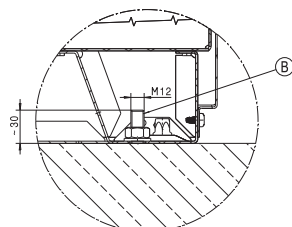
Standard



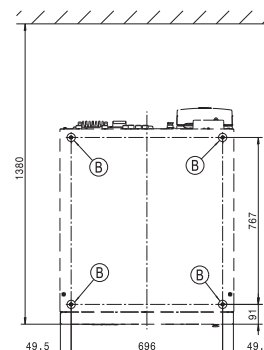
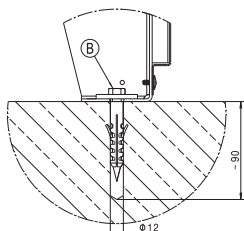
Při instalaci v řadě



Marine



Sokl



Rozměry v milimetrech

Ⓟ Šroub/bod upevnění

cs - Technické údaje

Varianty napětí a elektrické údaje

3N AC 400 V EL DV

Napájecí napětí	3N AC 400 V
Frekvence	50/60 Hz
Potřebné jištění (v místě instalace)	25 A
Vybavovací charakteristika miniaturního jističe	typ B
Příkon	16 kW
Minimální průřez přívodního kabelu	4 mm ²

3N AC 400 V RH

Napájecí napětí	3N AC 400 V
Frekvence	50/60 Hz
Potřebné jištění (v místě instalace)	16 A
Příkon	10 kW
Minimální průřez přívodního kabelu	2,5 mm ²

3 AC 230 V EL DV

Napájecí napětí	3 AC 230 V
Frekvence	50/60 Hz
Potřebné jištění (v místě instalace)	50 A
Vybavovací charakteristika miniaturního jističe	typ B
Příkon	16 kW
Minimální průřez přívodního kabelu	10 mm ²

Připojení vody

Přípojka studené vody

Potřebný průtočný tlak	100 - 1000 kPa (1 - 10 bar)
Max. průtok	31,5 l/min
Potřebný přípojovací závit (vnější závit, v místě instalace dle DIN 44991, s plochým těsněním)	3 x 3/4"
Délka dodané přívodní hadice	3 x 1550 mm

Přípojka teplé vody

Max. přípustná teplota teplé vody	70 °C
Potřebný průtočný tlak	100 - 1000 kPa (1 - 10 bar)
Max. průtok	16 l/min
Potřebný přípojovací závit (vnější závit, dle DIN 44991, s plochým těsněním)	1 x 3/4"
Délka dodané přívodní hadice	1550 mm

Přípojka horké vody (u variant bez ohřevu nebo s redukováním topným výkonem)

Max. přípustná teplota horké vody	90 °C
Potřebný průtočný tlak	100 - 1000 kPa (1 - 10 bar)
Max. průtok	16 l/min
Potřebný přípojovací závit (vnější závit, dle DIN 44991, s plochým těsněním)	1 x 1"
Délka dodané přívodní hadice	1550 mm

Přípojka tvrdé vody (volitelně)

Potřebný průtočný tlak	100 - 1000 kPa (1 - 10 bar)
Max. průtok	32 l/min
Potřebný přípojovací závit (vnější závit, dle DIN 44991, s plochým těsněním)	2 x 3/4"
Délka dodané přívodní hadice	2 x 1550 mm

Průměrná spotřeba vody pro standardní program (barevné prádlo 60 °C)

Studená voda – měkká	47 l/h
při nepřítomnosti přípojky tvrdé vody	100 l/h
Teplá voda – měkká	85 l/h
Studená voda – tvrdá	53 l/h

Odtok odpadní vody

max. teplota odpadní vody	95 °C
přípojka odpadní vody (na přístroji)	plastová trubka HT DN 70
odtok (v místě instalace)	spojka DN 70
max. rychlost vypouštění	200 l/min

Přípoj pro vyrovnání potenciálů

vnější závit	M10
vějířové podložky	M10

cs - Technické údaje

Instalační rozměry

Šířka pláště (bez namontovaných dílů)	920 mm
Výška pláště (bez namontovaných dílů)	1447 mm
Hloubka pláště (bez namontovaných dílů)	857 mm
Celková šířka přístroje	924 mm
Celková výška přístroje	1450 mm
Celková hloubka přístroje	946 mm
Minimální šířka otvoru pro přepravu	1030 mm
Minimální vzdálenost mezi stěnou a zadní stranou přístroje	1380 mm
Průměr otvoru pro dvířka	415 mm
Úhel otevření dvířek	180°

Upevnění

Standard

potřebné upevňovací body	2
vrut DIN 571 (průměr x délka)	12 mm x 90 mm
hmoždinka (průměr x délka)	14 mm x 80 mm

S podstavcem (APWM)

Potřebné upevňovací body	4
Vrut DIN 571 (průměr x délka)	12 mm x 90 mm
Hmoždinka (průměr x délka)	14 mm x 80 mm

Betonový sokl

potřebné upevňovací body	2
vrut DIN 571 (průměr x délka)	12 mm x 90 mm
hmoždinka (průměr x délka)	14 mm x 80 mm

Přepravní údaje, hmotnost a zatížení podlahy

Šířka obalu	1090 mm
Výška obalu	1585 mm
Hloubka obalu	1130 mm
Objem brutto	1952 l
Hmotnost brutto*	426 kg
Hmotnost netto*	402 kg
Max. zatížení podlahy za provozu*	6089 N






*podle vybavení

Údaje o emisích

Hladina akustického tlaku na pracovišti, praní	54 dB (A)
Hladina akustického výkonu, praní	62,0 dB (A)
Hladina akustického tlaku na pracovišti, odstředování	67 dB (A)
Hladina akustického výkonu, odstředování	77,0 dB (A)
Průměrný odvod tepla do prostoru instalace	6,48 MJ/h
Hladina akustického tlaku	67 dB (A) re 20 µPa

Telepítési útmutató	44
A biztonsági utasítások és a készüléken elhelyezett figyelmeztetések magyarázata	44
Telepítési feltételek	44
Általános üzemeltetési feltételek	44
Felállítás	44
Beton lábazatra való felállítás	45
Beállítás	45
Rögzítés	46
Villamos csatlakozás	46
Vízcsatlakozás	47
Svájcra vonatkozó tudnivaló	47
Ausztriára vonatkozó szabályok	47
Hidegvíz-csatlakozás.....	47
Melegvíz-csatlakozás	47
Leeresztőszelep	48
Vízcsatlakozás csökkentett fűtési teljesítményű (RH) változatoknál	48
Vízcsatlakozás külső fűtéssel rendelkező változatoknál (RH).....	49
Adagoló szivattyú csatlakozásai	49
Opciók/utólag vásárolható tartozékok	51
Szerelő készlet a keményvizes csatlakozáshoz (APWM062).....	51
Connector-Box APWM019/020	51
Wi-Fi-/LAN-interfész	52
Aláépítő lábazat (APWM022/035)	52
Pára- és habelvezetés szerelőkészlet (APWM 063).....	52
Beszereles	53
Standard	53
Lábazat.....	55
Installálás	57
Standard	57
Lábazat.....	58
Rögzítés a padlón	59
Műszaki adatok	60
Feszültségváltozatok és villamos adatok	60
Vízcsatlakozás	61
Hidegvíz-csatlakozás.....	61
Melegvíz-csatlakozás	61
Forróvíz-csatlakozás (fűtés nélküli vagy csökkentett fűtési teljesítményű változatoknál)	61
Keményvizes csatlakozás (opcionális).....	61
Átlagos vízfogyasztás egy standard programhoz (60°-os színes mosás)	61
Szennyvízlefolyó	61
A potenciálkiegyenlítés csatlakozója	61
Telepítési méretek	62
Rögzítés	62
Szállítási adatok, súly és padlóterhelés.....	62
Kibocsátási adatok	62

A biztonsági utasítások és a készüléken elhelyezett figyelmeztetések magyarázata

	Olvassa el ezt a Használati útmutatót
	Vigyázat, forró felületek
	Vigyázat, akár 1000 Volt feszültség
	Védőföld
	Potenciálkiegyenlítés

Telepítési feltételek

A mosógépet csak a Miele vevőszolgálat, vagy egy arra feljogosított szakkereskedő betanított személyzete telepítheti.

- ▶ A mosógép telepítése csak az érvényes szabályok és szabványok szerint történhet. Ezen felül a helyi energiaszolgáltató és vízmű előírásait is figyelembe kell venni.
- ▶ Csak kielégítően szellőztetett és fagyásveszélynek ki nem tett helyiségekben üzemeltesse a mosógépet.

A mosógép nem alkalmas robbanásveszélyes területen való alkalmazásra.

Általános üzemeltetési feltételek

Ezt a mosógépet kizárólag ipari alkalmazásra tervezték és csak beltérben üzemeltethető.

- Környezeti hőmérséklet: 0-40 °C
- Relatív páratartalom: nem kondenzálódó
- Maximális tengerszint feletti telepítési magasság: 2000 m

A felállítási hely kialakításától függően felléphet a hang ill. a rezgés átvittele.

Tanács: Szigorúbb zajvédelmi követelmények esetén kérje ki szakember véleményét a készülék felállítási helyének zajvédelméről.

Felállítás

Szállítsa a mosógépet egy emelőkocsival a felállítási helyre és távolítsa el a szállítási csomagolást.

A mosógépet teljesen sík és vízszintes felületen kell felállítani, ami legalább a megadott talajterhelésnek ellenáll (lásd a „Műszaki adatok” fejezetet).

Tanács: Felállítási felületként a leginkább egy beton padlózat alkalmas. Ez a készülék centrifugálásnál a fagerenda-padlózattal vagy más „puha” tulajdonságú padlózattal ellentétben csak ritkán jön rezgésbe.

A mosógép általi padlóterhelés felületi terhelésként hat a talpazat területén a felállítási felületre.

A készülék üzem közbeni dinamikus mozgásai miatt a mosógép legalább 50 mm-es oldalsó távolságot igényel. A hátoldali fal és a készülék hátlapja között legalább 400 mm távolságot kell biztosítani.

A mosógép nem állítható fel szőnyegpadlón.

Rögzítse a mosógépet a szállítási tartozékként mellékelt rögzítőanyaggal a négy erre a célra szolgáló rögzítési ponton keresztül.


A mellékelt rögzítőanyagok a betonpadlóban való tiplis rögzítésre vannak kialakítva. Ha a felállítási helyen más padló szerkezet van, a rögzítőanyagokat kivitelezéskor kell biztosítani.

Beton lábazatra való felállítás

A mosógépet opcionálisan egy beton lábazatra is fel lehet állítani.

A beton lábazat betonminőségét és szilárdságát a „Műszaki adatok” fejezetben megadott talajterhelésre kell méretezni.

- Ügyeljen arra, hogy a beton lábazatnak kellő tapadása legyen és a mosógéptől kiinduló terheléseknek ellenálljon, hogy a készülék stabilitása biztosítva legyen.
- A lábazati felállítást követően feltétlenül rögzítse a mosógépet a vele szállított rögzítő anyaggal.

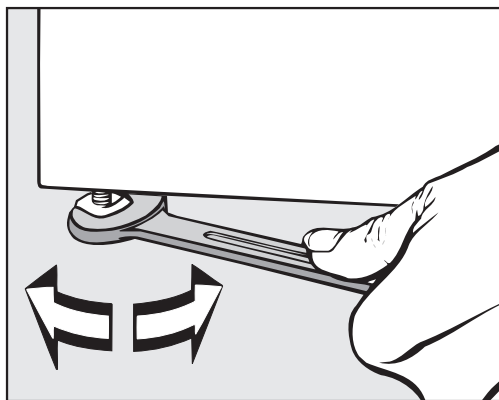
 A felállítást követően a mosógépet a beton talpazaton feltétlenül rögzíteni kell!
A rögzítés nélkül fennáll a veszélye, hogy a mosógép a centrifugálásnál a lábazatról leesik.

Beállítás

- A felállítást követően állítsa vízszintbe a mosógépet az állítható lábak és egy vízmérték segítségével hossz- és keresztirányban is.

Az automata mosógépnek vízszintesen és mind a négy lábán egyenletesen kell állnia ahhoz, hogy a kifogástalan és energiahatékony működés biztosítva legyen. Máskülönben megnő a víz- és energiafogyasztás és a mosógép elvándorolhat.

- A beállítást követően húzza meg az ellenanyákat egy csavarkulccsal az óramutató járásával ellentétes irányba, hogy a lábak ne állítódhasanak el.



Rögzítés

- Rögzítse a mosógépet a helyzetbiztosításhoz a vele szállított rögzítő anyaggal a készüléklábakon keresztül.

A vele szállított rögzítő anyag beton padlóban való tiplis rögzítésre van kialakítva. Ha a felállítási helyen más padló szerkezet van, a rögzítő anyagot külön meg kell rendelni.

Villamos csatlakozás

A villamos csatlakozást kizárólag képzett villamos szakember végezheti, aki az érvényes szabványok és villanszerelési előírások betartásáért felelős.

► A mosógépet olyan villamos hálózatra kell csatlakoztatni, ami a nemzeti és a helyi előírások szerint lett kivitelezve. Ezen felül az illetékes energiaszolgáltató vállalatok és biztosítók előírásait, a balesetvédelmi előírásokat, valamint a technika elismert szabályait figyelembe kell venni.

► A szükséges hálózati feszültség, a teljesítményfelvétel és a külső biztosítókra vonatkozó előírás a mosógép adattábláján található. Győződjön meg róla, hogy a villamos hálózat feszültségértékei az adattáblán lévő feszültség előírásokkal megegyeznek-e, mielőtt a mosógépet a villamos hálózatra csatlakoztatná.

Az adattáblától eltérő csatlakozási feszültségre való csatlakoztatás a mosógép működési zavarait, vagy meghibásodását okozhatja!

Ha az adattáblán több feszültségérték van bejegyezve, akkor a mosógépet a megfelelő feszültségértékre való csatlakoztatáshoz a Miele vevőszolgálat átkapcsolhatja.

► A feszültség-átkapcsolást kizárólag a Miele vevőszolgálat, vagy a feljogosított szakkereskedés végezheti. Ez esetben a kapcsolási rajz áthuzalozási utasításait figyelembe kell venni.

A mosógépet vagy fix bekötéssel, vagy az IEC 60309-1 szerinti dugós csatlakozáson keresztül lehet csatlakoztatni. Fix bekötéshez a felállítási helyen egy minden pólusú hálózati megszakítót kell telepíteni.

Hálózatleválasztó berendezésnek több, mint 3 mm-es érintkező nyitástús kapcsolók számítanak. Ide tartoznak pl. a kismegszakítók, biztosítók és mágneskapcsolók (IEC/EN 60947).

A hálózatleválasztó berendezést (beleértve a dugós csatlakozót) akaratlan és jogosulatlan visszakapcsolás ellen biztosítani kell, ha az állandó megszakítás nem minden elérési helyről felügyelhető.

Tanács: A mosógép csatlakoztatásánál részesítse előnyben a dugós csatlakozást, hogy a villamos biztonsági ellenőrzéseket egyszerűbben lehessen elvégezni (pl. karbantartás közben).

► Amennyiben a helyi előírások szerint hibaáram-védőkapcsolót (RCD) kell beszerezni, akkor kötelezően B típusú hibaáram-védőkapcsolót (minden áramra érzékeny) kell használni.

A meglévő A típusú hibaáram-védőkapcsolót (RCD) B típusú RCD-re kell kicserélni.

► A helyi és nemzeti telepítési előírásoknak megfelelően adott esetben jó érintkezésű potenciálkiegyenlítést kell kialakítani.

A potenciálkiegyenlítést 10 mA-nél nagyobb levezető áram esetén kell elvégezni.

A potenciálkiegyenlítéshez szükséges tartozékok nem képezik a szállítás részét.

Vízcsatlakozás

Svájcra vonatkozó tudnivaló

A SIA 385.351/EN 1717 szabvány, valamint az SVGW javaslat szerint be kell építeni egy visszafolyást megakadályozó elemet. A szabványnak megfelelő visszafolyást megakadályozó elemet a vízvezeték szerelőtől szerezheti be.

Ausztriára vonatkozó szabályok

A csatlakozási hely összekötő vezetéke számára a készüléktől a belső berendezésig csak az 1960-as Vízellátási törvény Végrehajtási rendelete 12. §, 1. bekezdésében felsorolt csöveket szabad használni.

A gumi és műanyag tömlők nyomás alatti összekötő vezetékként való használata a készülék és a belső berendezés között csak akkor engedélyezett, ha azok:

- a beépített csatlakozó szerelvényekkel együtt 1500 kPa (15 bar) minimális tartós nyomásnak ellenállnak,
- a készülék üzembe helyezése során kellően megvizsgálták őket és
- a készülék mindenkori használatát követően a gumi, vagy műanyag tömlő előtt megbízhatóan üzemben kívül helyezésre, vagy a belső berendezéstől leválasztásra kerül.

Hidegvíz-csatlakozás

A hidegvíz-csatlakozáshoz minden esetben szükség van egy $\frac{3}{4}$ "-os külső menetes vízcsapra.

A hideg víz vízbevezető tömlője (kék csík) nem alkalmas a melegvíz-bekötésre.

Melegvíz-csatlakozás

A melegvízes üzem energiafogyasztásának lehető legkisebb szinten tartásához a mosógépet egy melegvíz-körvezetékre kellene csatlakoztatni.

Az ún. „leágazó vezetékek“ (a melegvíz-termelő egyedi vezetékei) nem folyamatos használat esetén a vezetékben lévő víz lehűléséhez vezetnek. A mosóvíz felmelegítéséhez ekkor több villamos energiát kellene használni.

A melegvíz-csatlakoztatásra a mellékelt vízbevezető tömlőt használja (piros csík).

Elektromos fűtéssel (EL) ellátott készülékváltozatok esetén a betáp melegvíz hőmérséklete legfeljebb 70 °C lehet.

Fűtés nélküli (EH) és csökkentett fűtési teljesítménnyel (RH) ellátott készülékváltozatok esetén a betáp melegvíz hőmérséklete legfeljebb 90 °C lehet.

A csatlakozáshoz csak a géppel együtt szállított vízbevezető tömlőket szabad használni.

Amennyiben nincs melegvízvezeték, a melegvíz vízbevezető tömlőjét is a hidegvízellátásra kell csatlakoztatni. Ebben az esetben egy további Y-idomra van szükség. A mosógép hidegvíz-felhasználása ekkor az eredetileg szükséges melegvíz mennyiségével nő.

Funkcionális és eljárás-technikai okokból a kizárólag melegvízes üzem nem lehetséges.

A mosógépet meglévő melegvízes csatlakozás esetén is csatlakoztatni kell egy hidegvízes tápvezetékre.

Leeresztőszelep

A leeresztőszeleppel ellátott mosógép esetén a mosóvíz lefolyása egy motoros meghajtású szelepen keresztül történik. A leeresztőszelepet egy kereskedelemben kapható HT DN 70 könyökcsonkon keresztül közvetlenül (szifon nélkül) lehet a szennyvízrendszerre, vagy egy talajvíztelenítőre (víznyelő akna szagelzáróval) csatlakoztatni.

Az optimalizált záró mechanizmus és egy megnövelt lefolyó-keresztmetszet révén durva szennyeződés esetén is alig tudnak lerakódások, eldugulások képződni. Ahhoz, hogy a mosóvíztartály feszültség-kimaradás esetén is leüríthető legyen, a leeresztőszelep el van látva egy kézi működtető berendezéssel a kivételes esetre.


A zavartalan lefolyáshoz levegőztetett vezetékre van szükség.

Amennyiben több készülék egy gyűjtővezetékre van csatlakoztatva, a gyűjtővezetéknek valamennyi készülék egyidejű üzemének megfelelő méretű keresztmetszettel kell rendelkezni.

Egy HT DN 70-es cső szellőztetéséhez az odaillő, 05 238 090 anyagszámú Miele szerelőkészletet a Miele vevőszolgálaton, vagy a Miele szakkereskedőkön keresztül lehet beszerezni.

Amennyiben túl magasról folyik le a víz, akkor csőszellőzést kell be-tervezni, hogy a mosógép vízvezető rendszerében ne keletkezzen vákuum.

A vízlefolyásban késedelem, vagy visszatorlódás esetén (túl csekély vezeték-keresztmetszet révén) a programlefutásban is zavarok léphetnek fel, ami a készülékben hibajelzésekhez vezetnek.

 A lefolyó mosóvíz akár 95 °C-os is lehet. Égési sérülés veszélye áll fenn!

Kerülje a közvetlen érintést.

Vízcsatlakozás csökkentett fűtési teljesítményű (RH) változatoknál

A készüléket hideg vagy meleg vízre is lehet csatlakoztatni. Ahhoz, hogy minden programot használni lehessen, legalább 80 °C-os melegvíz-hőmérséklet ajánlott. Az alacsonyabb hőmérséklet hosszabb üzemidőhöz vagy program megszakításokhoz vezethet. A víz bemeneti hőmérséklete 60 °C alatt nem megengedett, mivel ez az üzemidő jelentős megnövekedéséhez vezet.

Vízcsatlakozás külső fűtéssel rendelkező változatoknál (RH)


A készüléket hideg vagy meleg vízre is lehet csatlakoztatni. Legalább 80 °C-os melegvíz-hőmérséklet ajánlott. A fertőtlenítő programok használata a hiányzó utánfűtés miatt alapvetően nem lehetséges. A bemeneti hőmérséklet határozza meg a használható mosási hőmérsékletet.

Csak Németországra érvényes

Az ivóvíz védelme érdekében visszaáramlás-gátlót kell beszerezni a vízcsap és a mosógép vízcsatlakozása közé. Szakszerű otthoni beszerelés esetén a mellékelt csatlakozások (pl. sarokszelep) már fel vannak szerelve ezzel a biztonsági berendezéssel. Győződjön meg arról, hogy az otthoni rendszerében van-e visszafolyásgátló.

Különálló visszaáramlás-gátló használata esetén tartsa be a következő sorrendet:

1. Rögzítse a visszafolyásgátlót a vízcsatlakozásra.
2. Rögzítse a vízbevezető tömlőt a visszafolyásgátlóra.

 A szennyezett befolyó víz veszélyeztetheti az egészséget, és károkat okozhat.

A befolyó víz minőségének meg kell felelnie az adott ország ivóvíz követelményeinek, ahol a mosógépet üzemeltetik.

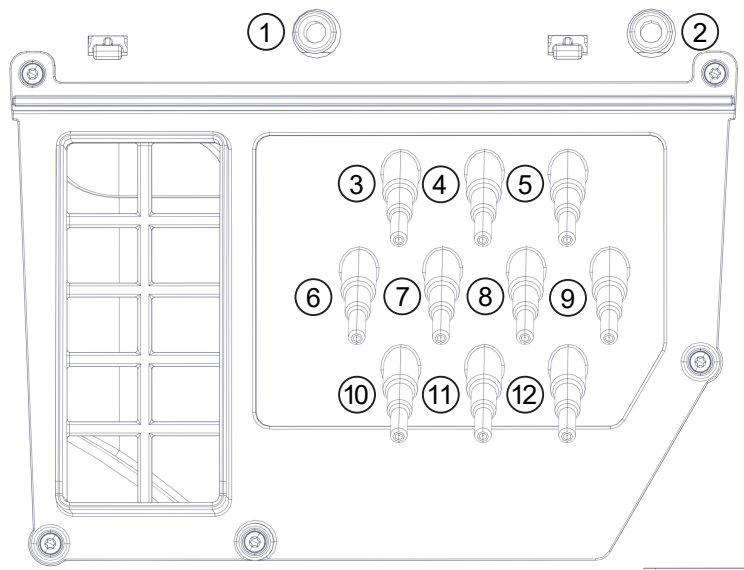
A mosógépet mindig ivóvízhez csatlakoztassa.

 A csavaros kötések hálózati víznyomás alatt állnak.

A vízcsapokat lassan megnyitva ellenőrizze, hogy a csatlakozások tömítve vannak-e. Adott esetben korrigálja a tömítés és a csavarozás illeszkedését.

Adagoló szivattyú csatlakozásai

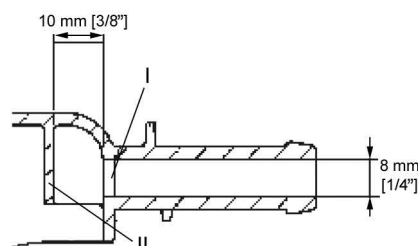
A mosógépre legfeljebb 12 adagoló szivattyú csatlakoztatható.



Adagoló szivattyú csatlakozásai a készülék hátoldalán

Az **1** és **2** a mosókrém-adagolás számára van kialakítva, és vízöblítéses nagynyomású adagolóberendezéshez is használható. Az adagolóberendezést fel kell szerelni az EN 61770 és az EN 1717 szabvány szerinti ivóvízvédelmi berendezéssel. A maximális átfolyási mennyiség 1500 ml/perc legfeljebb 300 kPa vízcsatlakozási nyomásnál.

Ezek a csatlakozócsonkok le vannak zárva, és a csatlakoztatás előtt egy 8 mm-es fúróval át kell azokat fúrni.



Vegye figyelembe, hogy csak az első falat (**I**) szabad átfúrni, mivel már 10 mm-rel az első fal mögött van egy visszaverő fal (**II**).

A **3** és **12** csatlakozások folyékony mosószerre vannak tervezve. Ezekre a csatlakozásokra nem szabad nagynyomású vízöblítést igénylő adagolórendszereket kötni. A csatlakozócsonkok le vannak zárva, és a csatlakoztatás előtt egy kis fűrészszel a tömlőátmérőig le kell azokat fúrni.

Ha a nyitott csatlakozócsonkokat már nem használják, akkor azokat megfelelő tömítőanyaggal (pl. szilikon) újra le kell szigetelni.

A külső adagoló szivattyúk csatlakoztatása és kalibrálása az opcionálisan kapható Connector-Boxon keresztül történik.

Kiegészítőleg áramlásmérők vagy átfolyásérzékelők is csatlakoztathatók az adagolási mennyiség pontos meghatározásához.

Minden adagolandó szer számára csatlakozások vannak kialakítva, amelyekre ráköthető a töltöttséget figyelő rendszer.

Opciók/utólag vásárolható tartozékok

A tartozékokat csak akkor szabad fel- vagy beszerelni, ha azokat a Miele kifejezetten jóváhagyta.

Amennyiben más alkatrészek kerülnek fel- vagy beszerelésre, akkor a garanciára, jóállásra és/vagy termékfelelősségre vonatkozó igények érvényüket veszítik.

Szerelő készlet a keményvizes csatlakozáshoz (APWM062)

A kemény víz típushoz tartozó csatlakozó az opcionális keményvizes csatlakozás szerelő készlet segítségével utólag is felszerelhető a mosógépre (APWM062).

Kiegészítő vízcsatlakozás segítségével kemény víz is használható, így a program futásideje lerövidíthető. A kemény víz ezen kívül kimondottan alkalmas a befejező öblítő menetekhez.

Connector-Box APWM019/020

A Connector-Box egységgel a Miele és más gyártók hardvereit lehet rácsatlakoztatni a Miele Professional készülékre.

A vízbevezetéshez használt járókerék-számlálók szintén csatlakoztathatók a Connector-Boxhoz (APWM065).

Csúcsterhelés-szabályozás/energia-gazdálkodás

A készülék a Connector-Boxon keresztül csatlakoztatható egy csúcsterhelés-szabályozó vagy energiagazdálkodási rendszerhez.

Az energiagazdálkodási rendszer felügyeli az objektum energiafogyasztását, hogy a csúcsterhelés-lekapcsolási funkció célzottan lekapcsolhasson egyes felhasználókat, és ezzel elkerülhető legyen a terhelési határ túllépése.

A csúcsterhelés funkció aktiválása esetén a készülék lekapcsolja a fűtést és leállítja a programot. A kijelzőn ekkor megjelenik egy megfelelő üzenet.

A csúcsterhelés funkció végén a program automatikusan folytatódik.

A folyékonymosószer-adagoló csatlakoztatása

Folyékony mosószerek adagolásához külső folyékonymosószer-adagoló szivattyúk használhatók a Connector-Box modulon keresztül. Minden adagolószivattyú-kimenet egy kiürülés érzékelőhöz van rendelve. A bemenetek szükség esetén használhatók. Kiegészítőleg átfolyásérzékelők (áramlásmérők) is csatlakoztathatók az adagolási mennyiség pontos meghatározásához.

Az adalék és speciális vegyszerek használata és kombinálása esetén feltétlenül vegye figyelembe a gyártó alkalmazási útmutatásait.

Érmebedobó készülék

A mosógép a Connector-Boxon keresztül – utólag vásárolható tartozékként – egyedi érmebedobó rendszerrel szerelhető fel.

A szükséges programozás az első üzembe helyezés folyamán végezhető el. Az első üzembe helyezés befejezése után csak a Miele szakkereskedő vagy a Miele ügyfélszolgálat hajthatja végre a módosításokat.

Ügyeljen arra, hogy a Connector-Box állapotát igény esetén a kezelői szinten „be” állapotra kell állítani. A fizetőrendszer beállításai kezelői szinten végezhetők el.

A fizetőrendszer aktiválása nem a kezelői szint történik.

hu - Telepítési útmutató

Wi-Fi-/LAN-interfész


A mosógép az adatcseréhez Wi-Fi/LAN-interfészsel van felszerelve. A LAN-csatlakozáshoz biztosított adatinterfész megfelel a törpefeszültségnek (SELV). A LAN-csatlakozás egy EIA/TIA 568B szerinti RJ45-csatlakozóval történik.

A csatlakoztatott készülékeknek is meg kell felelniük a SELV-előírásoknak.

Aláépítő lábazat (APWM022/035)

A mosógép opcionálisan felállítható egy aláépítő lábazattal (utólag vásárolható Miele tartozékként nyitott, vagy zárt építési módban).

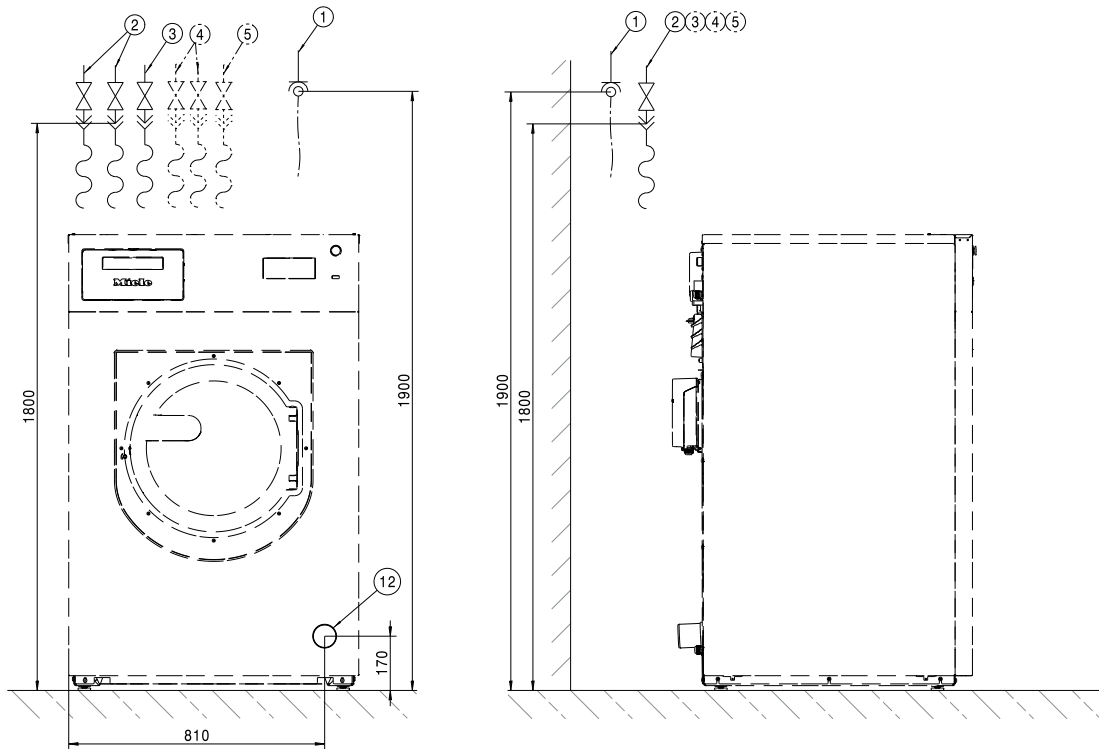
A mosógép megemelt elhelyezése a be- és kirakodás során gondoskodik az ergonomikus munkavégzésről. Egyidejűleg lehetővé teszi az egyszerű szennyvízcsatlakozást.

 A felállítást követően a mosógépet feltétlenül rögzíteni kell az aláépítő lábazaton! Az aláépítő lábazatot a padlóhoz kell rögzíteni. A rögzítés nélkül fennáll a veszélye, hogy a mosógép centrifugálás közben leesik.

Pára- és habelvezetés szerelőkészlet (APWM 063)

Megnövekedett habképződés esetén a páraelszívóból hab léphet ki. A hab levezetésére az opcionális pára- és habelvezető szerelőkészlet használható.

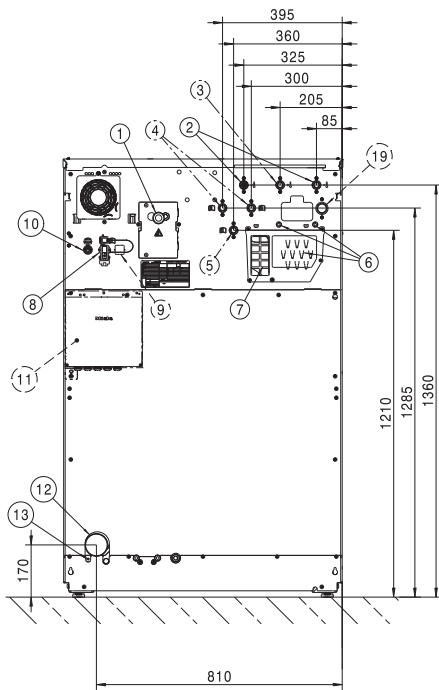
Standard



Méretetek milliméterben megadva

- ① Elektromos csatlakozás
- ② Hidegvíz-csatlakozás
- ③ Melegvíz-csatlakozás/forróvíz-csatlakozás (EH és RH változatoknál)
- ④ Keményvízes hidegvíz csatlakozás (opcionális)
- ⑤ Hidegvíz-csatlakozás a folyékony mosószer adagolás számára
- ⑫ Lefolyócső

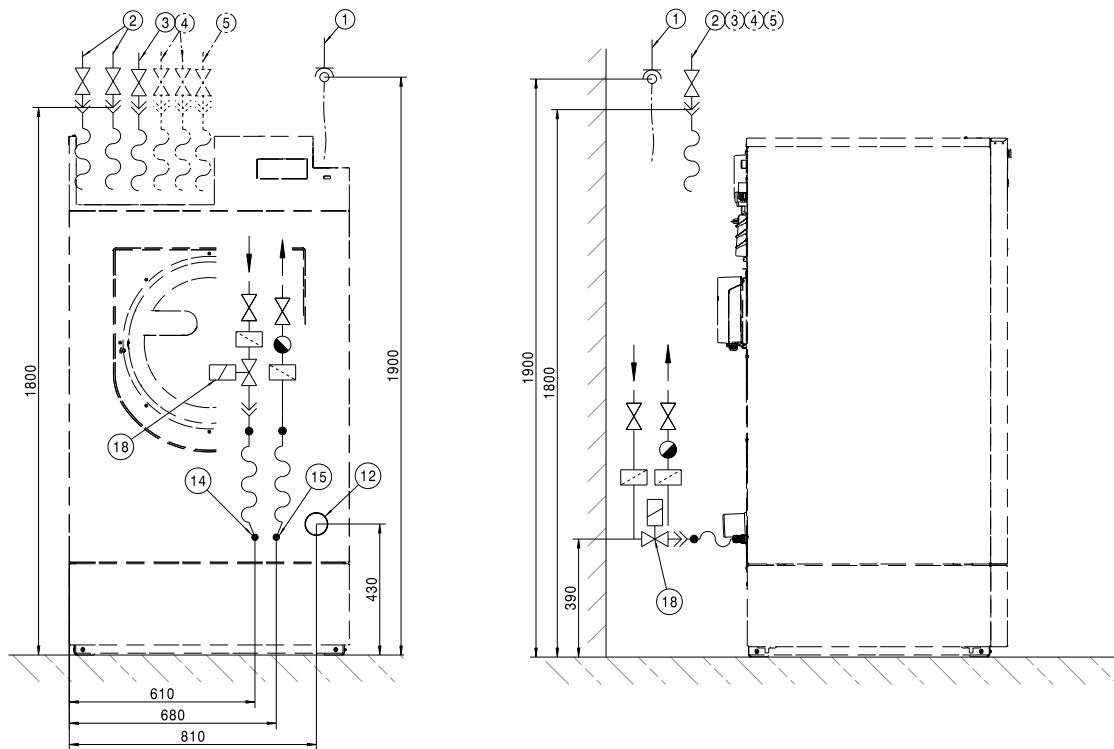
hu - Beszerelés



Méretetek milliméterben megadva

- ① Elektromos csatlakozás
- ② Hidegvíz-csatlakozás
- ③ Melegvíz-csatlakozás/forróvíz-csatlakozás (EH és RH változatoknál)
- ④ Keményvizes hidegvíz csatlakozás (opcionális)
- ⑤ Hidegvíz-csatlakozás a folyékony mosószer adagolás számára
- ⑥ Adagoló szivattyú csatlakozásai
- ⑦ Túlfolyás és légtelenítés
- ⑧ Connector Box csatlakozó
- ⑨ Connector Kit csatlakozó (opcionális)
- ⑩ LAN-csatlakozás
- ⑪ Connector Box (opcionális)
- ⑫ Lefolyócső
- ⑬ A potenciálkiegyenlítés csatlakozója
- ⑭ Vízvisszanyerés csatlakozó (opcionális)

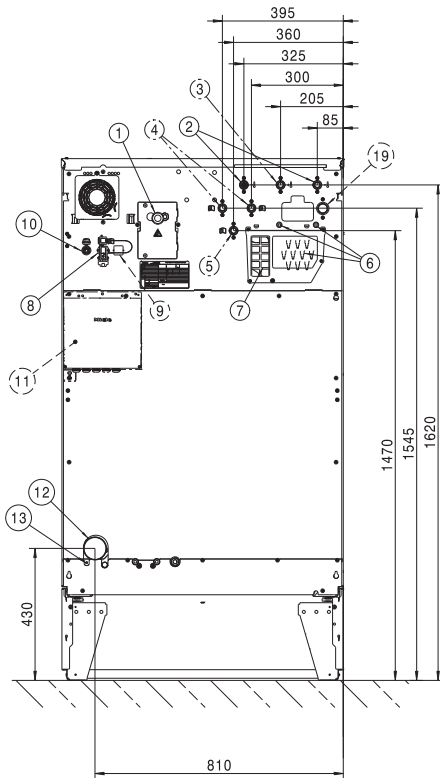
Lábazat



Méretetek milliméterben megadva

- ① Elektromos csatlakozás
- ② Hidegvíz-csatlakozás
- ③ Melegvíz-csatlakozás/forróvíz-csatlakozás (EH és RH változatoknál)
- ④ Keményvizes hidegvíz csatlakozás (opcionális)
- ⑤ Hidegvíz-csatlakozás a folyékony mosószer adagolás számára
- ⑫ Lefolyócső

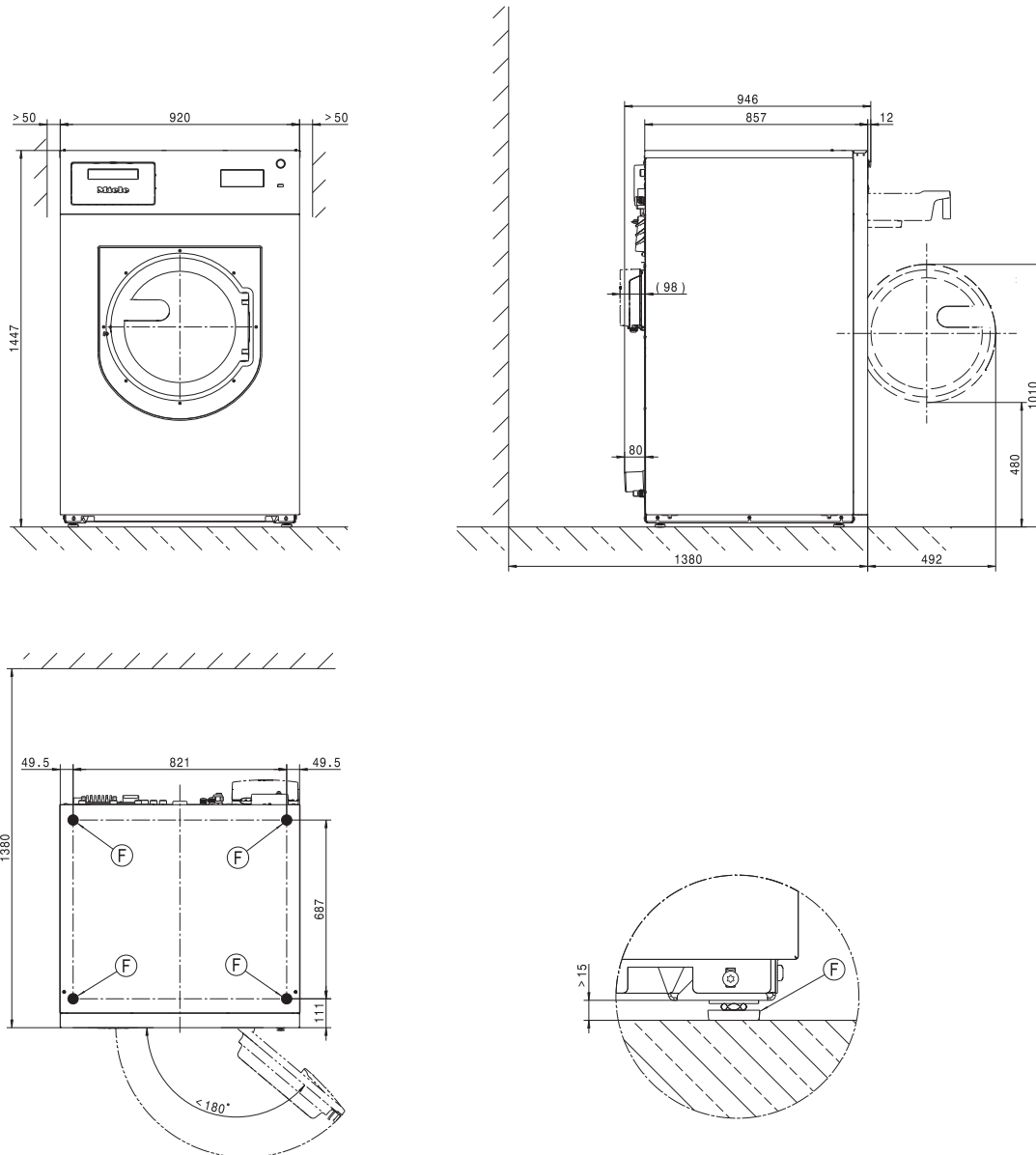
hu - Beszerelés



Méretetek milliméterben megadva

- | | |
|--|---|
| ① Elektromos csatlakozás | ⑧ Connector Box csatlakozó |
| ② Hidegvíz-csatlakozás | ⑨ Connector Kit csatlakozó (opcionális) |
| ③ Melegvíz-csatlakozás/forróvíz-csatlakozás (EH és RH változatoknál) | ⑩ LAN-csatlakozás |
| ④ Keményvizes hidegvíz csatlakozás (opcionális) | ⑪ Connector Box (opcionális) |
| ⑤ Hidegvíz-csatlakozás a folyékony mosószer adagolás számára | ⑫ Lefolyócső |
| ⑥ Adagoló szivattyú csatlakozásai | ⑬ A potenciálkiegyenlítés csatlakozója |
| ⑦ Túlfolyás és légtelenítés | ⑭ Vízvisszanyerés csatlakozó (opcionális) |

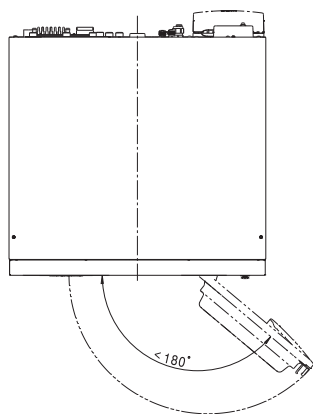
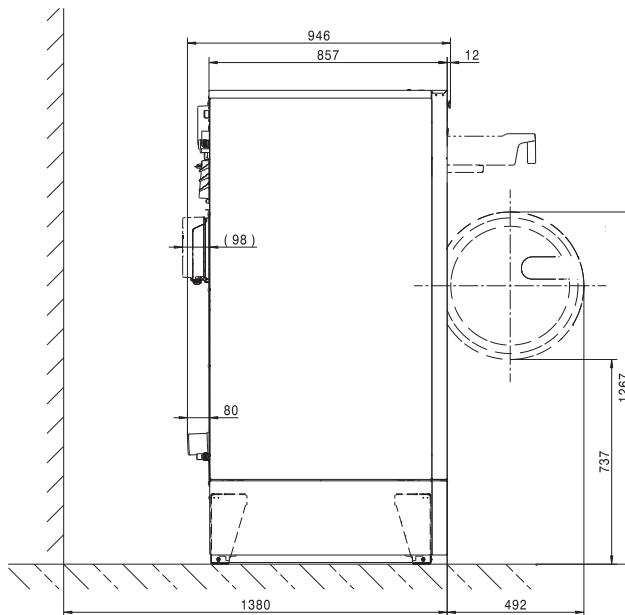
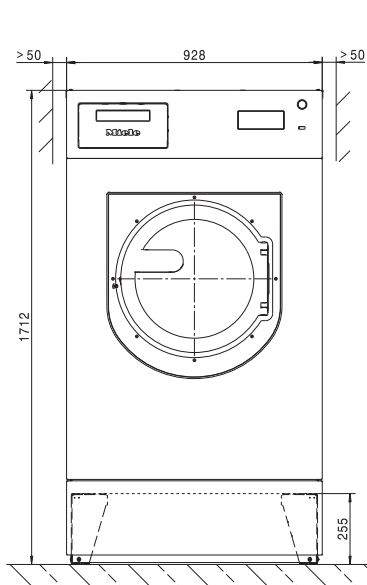
Standard



Méretetek milliméterben megadva

(F) Állóláb

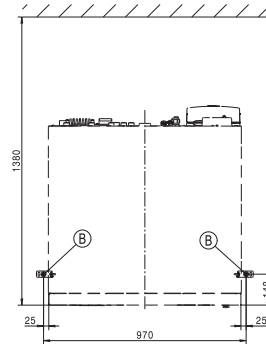
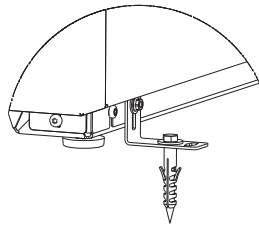
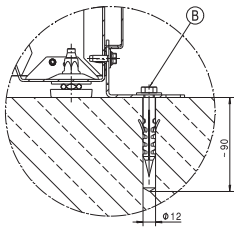
Lábazat



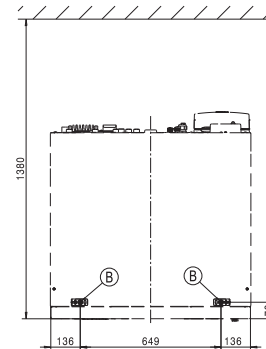
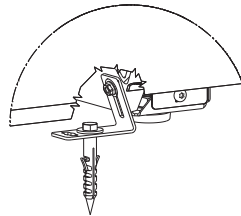
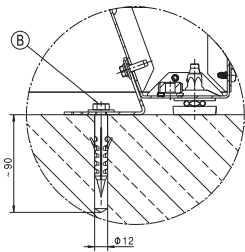
Méretetek milliméterben megadva

Rögzítés a padlón

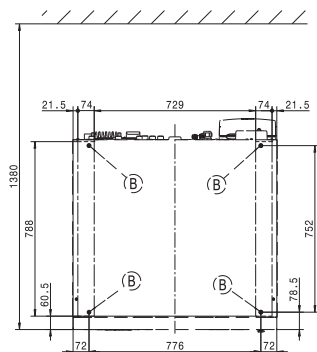
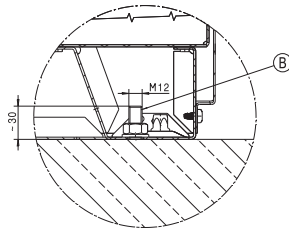
Standard



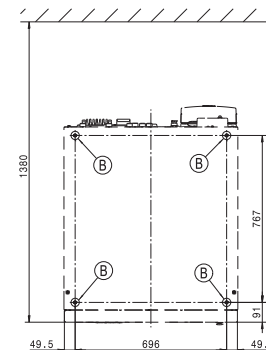
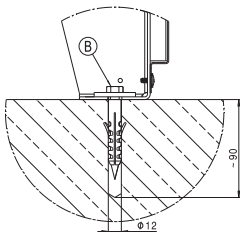
Sorba telepítés esetén



Tengerészeti



Lábazat



Méretetek milliméterben megadva

ⓑ Csavar/rögzítési pont

hu - Műszaki adatok

Feszültségváltozatok és villamos adatok

3N AC 400 V EL DV

Csatlakozási feszültség	3N AC 400 V
Frekvencia	50/60 Hz
Szükséges biztosíték (helyszíni)	25 A
Vezetékvédő kismegszakító kioldási karakterisztikája	B típus
Teljesítményfelvétel	16 kW
A csatlakozókábel minimális keresztmetszete	4 mm ²

3N AC 400 V RH

Csatlakozási feszültség	3N AC 400 V
Frekvencia	50/60 Hz
Szükséges biztosíték (helyszíni)	16 A
Teljesítményfelvétel	10 kW
A csatlakozókábel minimális keresztmetszete	2,5 mm ²

3 AC 230 V EL DV

Csatlakozási feszültség	3 AC 230 V
Frekvencia	50/60 Hz
Szükséges biztosíték (helyszíni)	50 A
Vezetékvédő kismegszakító kioldási karakterisztikája	B típus
Teljesítményfelvétel	16 kW
A csatlakozókábel minimális keresztmetszete	10 mm ²

Vízcsatlakozás

Hidegvíz-csatlakozás

Szükséges hálózati víznyomás	100 - 1000 kPa (1 - 10 bar)
Maximális áramlási sebesség	31,5 l/min
Szükséges csatlakozómenet (külső menetes, helyszíni a DIN 44991 szerint, síkban tömítő)	3 x 3/4"
A készülékhez mellékelt vízbevezető tömlő hossza	3 x 1550 mm

Melegvíz-csatlakozás

Maximális megengedett víz hőmérséklet	70 °C
Szükséges hálózati víznyomás	100 - 1000 kPa (1 - 10 bar)
Maximális áramlási sebesség	16 l/min
Szükséges csatlakozómenet (külső menetes, DIN 44991 szerint, síkban tömítő)	1 x 3/4"
A készülékhez mellékelt vízbevezető tömlő hossza	1550 mm

Forróvíz-csatlakozás (fűtés nélküli vagy csökkentett fűtési teljesítményű változatoknál)

A forróvíz maximálisan megengedett hőmérséklete	90 °C
Szükséges hálózati víznyomás	100 - 1000 kPa (1 - 10 bar)
Maximális áramlási sebesség	16 l/min
Szükséges csatlakozómenet (külső menetes, DIN 44991 szerint, síkban tömítő)	1 x 1"
A készülékhez mellékelt vízbevezető tömlő hossza	1550 mm

Keményvízes csatlakozás (opcionális)

Szükséges hálózati víznyomás	100 - 1000 kPa (1 - 10 bar)
Maximális áramlási sebesség	32 l/min
Szükséges csatlakozómenet (külső menetes, DIN 44991 szerint, síkban tömítő)	2 x 3/4"
A készülékhez mellékelt vízbevezető tömlő hossza	2 x 1550 mm

Átlagos vízfogyasztás egy standard programhoz (60°-os színes mosás)

Hideg víz – lágy	47 l/h
hiányzó keményvízes csatlakozás esetén	100 l/h
Meleg víz – lágy	85 l/h
Hideg víz – kemény	53 l/h

Szennyvízlefolyó

Maximális szennyvíz-hőmérséklet	95 °C
Szennyvízcsonk (gépoldali)	HT DN 70 műanyag cső
Lefolyó (építésoldali)	DN 70 karmantyú
Legnagyobb lefolyási sebesség	200 l/min

A potenciálkiegyenlítés csatlakozója

Külső menet	M10
Fogazott alátét	M10

hu - Műszaki adatok

Telepítési méretek

A burkolat szélessége (a rászertelt alkatrészek nélkül)	920 mm
A burkolat magassága (a rászertelt alkatrészek nélkül)	1447 mm
A burkolat mélysége (a rászertelt alkatrészek nélkül)	857 mm
A gép teljes szélessége	924 mm
A gép teljes magassága	1450 mm
A gép teljes mélysége	946 mm
A beviteli nyílás legkisebb szélessége	1030 mm
A fal és a készülék hátoldala közötti legkisebb távolság	1380 mm
Ajtónyitási átmérő	415 mm
Ajtónyitási szög	180°

Rögzítés

Standard

Szükséges rögzítési pontok	2
DIN 571 facsavar (átmérő x hossz)	12 mm x 90 mm
Tipli (átmérő x hossz)	14 mm x 80 mm

Alépítménnyel (APWM)

Szükséges rögzítési pontok	4
DIN 571 facsavar (átmérő x hossz)	12 mm x 90 mm
Tipli (átmérő x hossz)	14 mm x 80 mm

Beton talapzat

Szükséges rögzítési pontok	2
DIN 571 facsavar (átmérő x hossz)	12 mm x 90 mm
Tipli (átmérő x hossz)	14 mm x 80 mm

Szállítási adatok, súly és padlóterhelés

Csomagolási szélesség	1090 mm
Csomagolási magasság	1585 mm
Csomagolási mélység	1130 mm
Bruttó térfogat	1952 l
Bruttó súly*	426 kg
Nettó súly*	402 kg
Maximális padlóterhelés üzem közben*	6089 N






*felszereltségtől függően

Kibocsátási adatok

A munkahelyre vonatkoztatott hangnyomásszint, mosás	54 dB (A)
Hangteljesítményszint mosás	62,0 dB (A)
A munkahelyre vonatkoztatott hangnyomásszint, centrifugázás	67 dB (A)
Hangteljesítményszint centrifugázás	77,0 dB (A)
Átlagos hőleadás a felállítási helyiségben	6,48 MJ/h
Kibocsátási hangnyomásszint	67 dB (A) re 20 µPa

Kurulum bilgileri	64
Güvenlik talimatlarına ve makinedeki uyarı bilgilerine ilişkin açıklama	64
Kurulum şartları.....	64
Genel işletim koşulları.....	64
Kurulum.....	64
Beton kaide üzerine kurulum	65
Düzlük ayarı	65
Cihazın sabitlenmesi	66
Elektrik bağlantısı.....	66
Su bağlantısı.....	67
İsviçre için bilgi	67
Avusturya için yönetmelik.....	67
Soğuk su bağlantısı.....	67
Sıcak su bağlantısı	67
Tahliye valfi.....	68
Düşük ısıtma gücüne sahip modellerde su bağlantısı (RH)	68
Harici ısıtmalı modellerde su bağlantısı (EH).....	69
Dozaj pompası bağlantıları.....	69
Opsiyonlar/Sonradan satın alınabilen aksesuarlar.....	71
Sert su bağlantısı montaj kiti (APWM062)	71
Connector-Box APWM019/020	71
Wi-Fi/LAN arayüzü	72
Baza (APWM022/035).....	72
Buhar ve Köpük Tahliyesi Montaj Kiti (APWM 063)	72
Montaj	73
Standart	73
Baza	75
Kurulum	77
Standart	77
Baza	78
Zemine tespit	79
Teknik veriler	80
Gerilim alternatifleri ve elektrik verileri	80
Su bağlantısı.....	81
Soğuk su bağlantısı.....	81
Sıcak su bağlantısı	81
Sıcak su bağlantısı (ısıtıcısız veya düşük ısıtma gücüne sahip modellerde).....	81
Sert su bağlantısı (opsiyonel).....	81
Standart bir program için ortalama su tüketimi (60° renkliler)	81
Atık su tahliyesi	81
Potansiyel dengelemesi bağlantısı.....	81
Yerleştirme ölçüleri.....	82
Tespit	82
Nakliye verileri, ağırlık ve zemin yükü.....	82
Emisyon verileri.....	82

Güvenlik talimatlarına ve makinedeki uyarı bilgilerine ilişkin açıklama

	Kullanım kılavuzunu okuyunuz
	Dikkat; Sıcak yüzeyler
	Dikkat; 1000 Volt'a varan gerilim
	Koruyucu topraklama
	Potansiyel dengeleme

Kurulum şartları

Çamaşır makinesi sadece Miele yetkili servisi ya da yetkili bir bayinin eğitimli personeli tarafından kurulmalıdır.

- Çamaşır makinesinin kurulumu geçerli kurallara ve standartlara uygun olarak gerçekleştirilmelidir. Ayrıca yerel elektrik tedarikçisinin ve su idaresinin yönetmelikleri de dikkate alınmalıdır.
- Çamaşır makinesini daima, sadece yeterli havalandırmaya sahip ve don tehlikesi olmayan mekanlarda çalıştırınız.

Çamaşır makinesi patlama tehlikesi olan mekanlarda çalıştırılmaya uygun değildir.

Genel işletim koşulları

Bu çamaşır makinesi sadece endüstriyel alanda kullanım için öngörülmüştür ve sadece iç mekanlarda çalıştırılmalıdır.

- Ortam sıcaklığı: 0-40 °C
- Bağıl nem: yoğuşmasız
- Deniz seviyesinin üstünde azami kurulum yüksekliği: 2000 m

Kurulum yerinin özelliklerine bağlı olarak ses veya titreşim aktarımı söz konusu olabilir.

Faydalı bilgi: Yüksek ses yalıtımı gereklilikleri söz konusuysa cihazın kurulum yerinin bir uzman tarafından ses yalıtımına yönelik olarak değerlendirilmesini sağlayınız.

Kurulum

Çamaşır makinesini kurulum yerine bir forklift ile taşıyınız ve nakliye ambalajını çıkarınız.

Çamaşır makinesi, asgari olarak belirtilen zemin yüküne dayanıklı tamamen düz, yatay ve sağlam bir yüzey üzerine kurulmalıdır (bkz. "Teknik veriler" bölümü).

Faydalı bilgi: En uygun kurulum yüzeyi beton bir zemindir. Bu tür bir zemin tahta döşemelerin veya “yumuşak” döşemelerin aksine sıkma işlemi sırasında ender olarak titreşime girer.

Çamaşır makinesinden kaynaklanan zemin yükü, cihazın bulunduğu alanda zemine yüzey yükü uygular.

Çalışma sırasındaki dinamik cihaz hareketleri dolayısıyla çamaşır makinesi yanlardan en az 50 mm mesafeye ihtiyaç duyar. Cihaz arka yüzünden arka duvara kadar olan mesafe en az 400 mm olmalıdır.

Çamaşır makinesi halı zemin üzerine yerleştirilmemelidir.

Çamaşır makinesini, teslimat kapsamında yer alan tespit malzemeleriyle öngörülen sabitleme noktalarından zemine sabitleyiniz.

Cihazla birlikte verilen tespit malzemesi beton zemin üzerine dübelli tespite yöneliktir. Kurulum yerinde başka zemin yapıları mevcutsa, uygun tespit malzemeleri uygulayıcı tarafından temin edilmelidir.

Beton kaide üzerine kurulum

Çamaşır makinesi isteğe bağlı olarak bir beton kaide üzerine kurulabilir.

Beton kalitesi ve beton kaidenin dayanıklılığı “Teknik veriler” bölümünde verilmiş olan zemin yüküne göre belirlenmelidir.

- Cihazın güvenli bir şekilde durmasının sağlanabilmesi için, beton kaidenin yeterli zemin tutuculuğu olmasına ve çamaşır makinesinden kaynaklanan yüklere dayanmasına dikkat ediniz.
- Çamaşır makinesini, kaide üzerine yerleştirdikten sonra mutlaka cihazla birlikte verilen tespit malzemeleri ile tespit ediniz.

⚠ Çamaşır makinesi yerleştirildikten sonra mutlaka beton kaideye tespit edilmelidir!

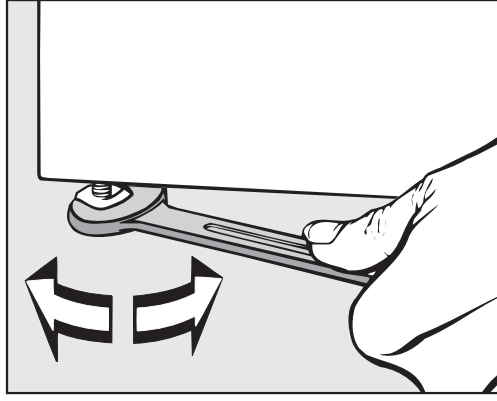
Aksi takdirde çamaşır makinesinin sıkma sırasında kaidenin üzerinden düşmesi tehlikesi oluşur.

Düzlük ayarı

- Çamaşır makinesini yerleştirdikten sonra, ayakları ve bir su terazisi vasıtasıyla dikey ve yatay olarak düzlük ayarını yapınız.

Sorunsuz ve enerji tasarruflu bir işletim için, çamaşır makinesi dört ayağı üzerinde eşit ve dik bir şekilde durmalıdır. Aksi takdirde su ve enerji tüketimi artar ve çamaşır makinesi yürüeyebilir.

- Ayakların ayarının değişmemesi için yatay düzlük ayarının ardından kontra somunları bir İngiliz anahtarı yardımıyla saat yönünün tersine çevirerek sıkınız.



Cihazın sabitlenmesi

- Çamaşır makinesini emniyet altına almak üzere cihazla birlikte verilen tespit malzemeleriyle ayaklarından zemine tespit ediniz.

Cihazla birlikte verilen tespit malzemesi beton zemine dübelli tespite yöneliktir. Kurulum yerinde başka zemin yapıları mevcutsa, uygun tespit malzemeleri ayrıca sipariş edilmelidir.

Elektrik bağlantısı

Elektrik bağlantısı, sadece mevcut standartlara ve elektrik tesisatı yönetmeliklerine uyulmasından tam olarak sorumlu ve eğitimli bir elektrikçi tarafından gerçekleştirilmelidir.

- Çamaşır makinesi sadece ulusal ve yerel şartlara uygun olarak gerçekleştirilmiş bir elektrik şebekesine bağlanmalıdır. Ayrıca yetkili elektrik şirketinin ve sigorta şirketinin yönetmeliklerinin yanı sıra kaza önleme yönetmeliklerine ve kabul gören teknoloji kurallarına da uyulmalıdır.
- Gerekli şebeke gerilimi, enerji tüketimi ve harici koruma şartları çamaşır makinesinin tip etiketinde belirtilmiştir. Kurutma makinesi elektrik şebekesine bağlanmadan önce elektrik şebekesinin gerilim değerlerinin tip etiketinde belirtilen gerilim değerleriyle uyduğundan emin olunuz.

Tip etiketinde belirtilenden farklı bir şebeke gerilimine bağlantı durumunda çamaşır makinesinde fonksiyon bozuklukları veya arıza meydana gelebilir.

Tip etiketinde birden fazla gerilim değeri verilmişse çamaşır makinesi belirtilen gerilim değerlerine bağlantı için dönüştürülebilir.

- Gerilim dönüştürme işlemi sadece Miele yetkili servisi ya da yetkili bayi tarafından gerçekleştirilmelidir. Bu işlem sırasında, elektrik bağlantılarının değiştirilmesine dair devre şemasında belirtilen talimatlara uyulmalıdır.

Çamaşır makinesi ya sabit bir bağlantı ya da IEC 60309-1'e uygun bir fiş tertibatı üzerinden bağlanabilir. Sabit bağlantı için kurulum yerinde tüm kutuplar için bir şebeke yalıtım tertibatı tesis edilmiş olmalıdır.

Şebeke yalıtım tertibatı olarak en az 3 mm kontak açıklığına sahip anahtarlar kullanılabilir. Buna devre kesiciler, sigortalar ve röleler dahildir (IEC/EN 60947).

Elektrik beslemesi yalıtımı, erişilebilen her yerden ve her daim gözetim altında olamıyorsa, şebeke yatılım tertibatı (fiş donanımı dahil) yanlışlıkla ve yetkisiz açılmaya karşı emniyet altına alınmalıdır.

Faydalı bilgi: Elektrik güvenliği kontrollerinin (örneğin bir bakım sırasında) daha kolay gerçekleştirilebilmesi için çamaşır makinesinin fiş tertibatı üzerinden bağlanmasını sağlayın.

► Yerel yönetmelikler uyarınca bir kaçak akım devre kesici (RCD) tesis edilmesi gerekiyorsa, B tipi bir kaçak akım devre kesici kullanılmalıdır.

A Tipi mevcut kaçak akım devre kesici (RCD) B tipi bir RCD ile değiştirilmelidir.

► Yerel ve ülkeye özel kurulum şartlarına uygun olarak, gerekirse iyi bir kontak bağlantısına sahip eşpotansiyel kuşaklama tesis edilmelidir.

>10 mA'lık bir kaçak akım durumunda eşpotansiyel kuşaklama gerçekleştirilmelidir

Eşpotansiyel kuşaklama için gerekli aksesuarlar teslimat kapsamında değildir.

Su bağlantısı

İsviçre için bilgi

SIA 385.351/EN 1717 standardı ve SVGW (İsviçre Gaz ve Su Teknolojisi Birliği) tavsiyesi uyarınca bir geri akış önleyici monte edilmelidir. Standartlara uygun bir geri akış önleyiciyi sıhhi tesisatçıınızdan temin edebilirsiniz.

Avusturya için yönetmelik

Cihazdaki bağlantı yeri ile bina tesisatını birleştiren bağlantı hattı için sadece Avusturya Su ve Kanalizasyon İdaresi Kanunu'nun (Wasserversorgungsgesetz 1960) uygulanmasına ilişkin yönetmeliğin 12. Maddesi 1. Bendinde belirtilen borular kullanılabilir.

Bina tesisatı ile cihaz arasındaki basınç bağlantı hattı olarak kauçuk veya plastik hortumların kullanılmasına, ancak aşağıda belirtilen durumlarda müsaade edilir:

- Entegre edilmiş bağlantı armatürleri dahil asgari 1500 kPa (15 bar) sürekli basınca karşı dayanıklı olmaları gereklidir
- Cihazın işleme alınması sırasında yeterli derecede gözetim altında tutulmaları gereklidir
- Cihaz kullanıldıktan sonra kauçuk veya plastik hortum, öncesinde su girişi kapatılarak güvenilir şekilde kullanım dışı bırakılmaları veya bina tesisatından ayrılmaları gereklidir.

Soğuk su bağlantısı

Soğuk su bağlantısı için ¾" dıştan dişli 1 adet su musluğu gerekir.

Soğuk su besleme hortumu (mavi çizgili) sıcak su bağlantısına uygun değildir.

Sıcak su bağlantısı

Sıcak suyla işletim sırasında enerji tüketimini mümkün olduğunca düşük tutmak için, çamaşır makinesi bir sıcak su sirkülasyon devresine bağlanmalıdır.

Sıcak su üreticine giden münferit borular, sürekli kullanılmadıklarında boruda bulunan suyun soğumasına yol açarlar. Bu durumda yıkama suyunun ısıtılması için daha fazla enerji harcanması gerekir.

Sıcak su bağlantısı için cihazla birlikte verilen besleme hortumunu kullanınız (kırmızı çizgili).

Elektrik ısıtılmalı cihaz modellerinde (EL), cihaza giren sıcak suyun sıcaklığı en fazla 70 °C olmalıdır.

Isıtıcısız (EH) ve düşük ısıtma gücüne sahip (RH) cihaz modellerinde, cihaza giren sıcak suyun sıcaklığı en fazla 90 °C olmalıdır.

Bağlantı için sadece cihazla birlikte verilen su giriş hortumları kullanılmalıdır.

Sıcak su hattı mevcut değilse, sıcak su besleme hortumu da soğuk su kaynağına bağlanmalıdır. Bu durumda ek bir Y-parçası gerekir. Çamaşır makinesinin su gereksinimi bu durumda gerekli sıcak su miktarı kadar artar.

İşlevsel ve yöntemle ilişkin sebeplerle, tek başına sıcak suyla işletim mümkün değildir.

Çamaşır makinesi sıcak su bağlantısı olsa bile bir soğuk su besleme hattına bağlanmalıdır.

Tahliye valfi

Tahliye valfli çamaşır makinelerinde yıkama suyu tahliyesi, motorla çalışan bir valf üzerinden gerçekleşir. Tahliye valfi piyasada mevcut HT DN 70 dirsek rakor üzerinden doğrudan atık su sistemine (sifonsuz olarak) veya bir zemin giderine (koku tutuculu atık su yolu) bağlanabilir.

İdeal kapama mekanizması ve büyütülmüş tahliye kesiti sayesinde büyük kirlerde dahi neredeyse hiç birikme ve tıkanıklık oluşmaz. Yıkama suyu haznesinin elektrik kesintisinde de boşaltılabilmesi için, tahliye valfi istisnai durumlara yönelik olarak bir manüel kumanda tertibatı ile donatılmıştır.

Sorunsuz bir tahliye için havalandırılmalı bir boru gerekir.

Birden fazla cihaz tek bir toplayıcı boruya bağlanacaksa, toplayıcı borunun tüm cihazların aynı anda çalıştırılmasına uygun bir kesite sahip olması gerekir.

HT DN 70 boruların havalandırması için 05 238 090 malzeme numaralı uygun Miele montaj setini Miele yetkili servisinden veya Miele bayiinden edinebilirsiniz.

Çok yüksek çıkış akışı durumunda, çamaşır makinesinin tahliye sisteminde vakum oluşmaması için bir boru havalandırması öngörülmelidir.

Su tahliyesinde aksaklık olması veya atık suyun (küçük boru kesiti dolayısıyla) çamaşır makinesine geri kaçması durumunda program akışında sorunlar çıkabilir ve bu da cihazda hata bildirimlerine sebep olur.

⚠ Dışarı akan yıkama suyunun sıcaklığı 95 °C'ye varabilir. Yanık tehlikesi söz konusudur!

Doğrudan temastan kaçınınız.

Düşük ısıtma gücüne sahip modellerde su bağlantısı (RH)

Cihaz, soğuk su ve sıcak su bağlantısına bağlanmalıdır. Programların tümünün kullanılabilmesi için en az 80 °C sıcak su tavsiye edilir. Daha düşük sıcaklıklar, program sürelerinin uzamasına veya programın iptal edilmesine yol açabilir. Program sürelerinin aşırı uzamasına yol açtığından dolayı 60 °C'den düşük su giriş sıcaklıklarına izin verilmez.

Harici ısıtmalı modellerde su bağlantısı (EH)

Cihaz, soğuk su ve sıcak su bağlantısına bağlanmalıdır. En az 80 °C sıcak su tavsiye edilir. Dezenfeksiyon programlarının kullanımı, ek ısıtma olmadığından dolayı esas olarak mümkün değildir. Giriş sıcaklığı, kullanılabilir yıkama sıcaklıklarını belirler.

Sadece Almanya için

İçme suyunu korumak için musluk ile çamaşır makinesinin su bağlantısı arasına bir geri akış önleyici monte edilmiş olmalıdır. Binanın su tesisi doğru bir şekilde yapıldıysa bu amaç için öngörülmüş olan bağlantılar (örneğin açılı valf) bu güvenlik donanımına sahiptir. Bina su tesisatınızda bir geri akış önleyici olduğundan emin olunuz.

Ayrı bir geri akış önleyici kullanılması durumunda aşağıdaki sırayı izleyiniz:

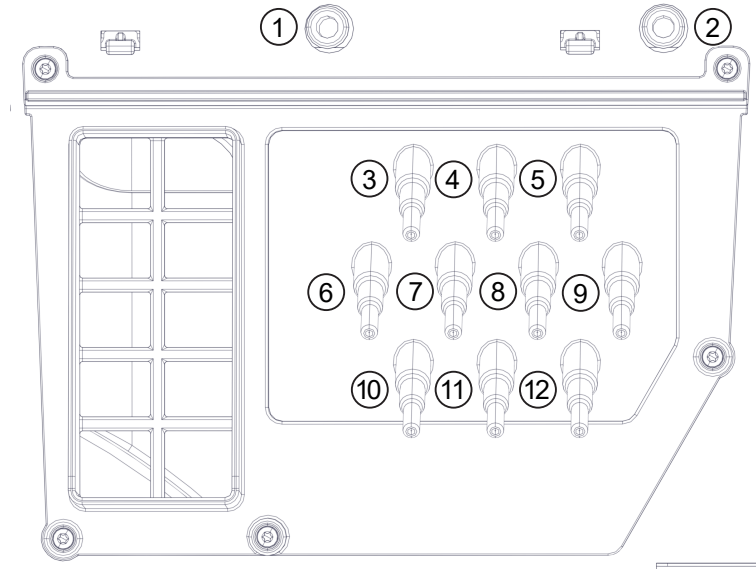
1. Geri akış önleyiciyi su bağlantısına takınız.
2. Su giriş hortumunu geri akış önleyiciye takınız.

⚠ Kirlı su beslemesi sonucu sađlık tehdidi ve hasar riski.
Giren suyun kalitesi çamaşır makinesinin çalıştırıldığı ülkenin şebeke suyu şartlarına uygun olmalıdır.
Çamaşır makinesini daima şebeke suyuna bağlayınız.

⚠ Vidalı bağlantılar su basıncına tabidir.
Su musluklarını yavaşça açarak bağlantıların sızdırıp sızdırmadığını kontrol ediniz. Gerekirse contanın ve dişli bağlantının düzgün oturmasını sağlayınız.

Dozaj pompası bağlantıları

Çamaşır makinesine en fazla 12 adet dozaj pompası bağlanabilir.

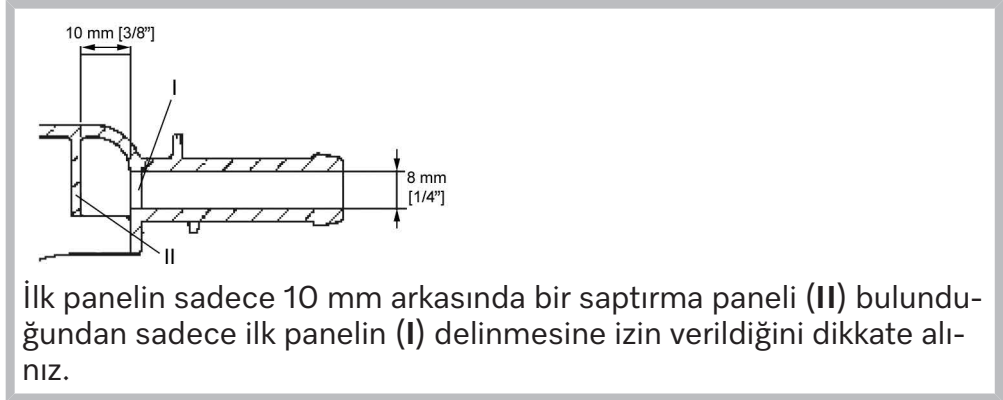


Cihazın arka yüzündeki dozaj pompası bağlantıları

1 ve **2** bağlantıları macun dozajı için öngörülmüştür ve ayrıca su girişli yüksek basınç dozaj sistemleri için de kullanılır. Dozaj sistemleri EN 61770 ve EN 1717 standartları uyarınca ayrı bir içme suyu güvenlik donanımına sahip olmalıdır. Azami 300 kPa su bağlantısı basıncında azami akış hızı 1.500 ml/dakikadır.

tr - Kurulum bilgileri

Bu bağlantı uçları kapalıdır ve bağlantı öncesinde 8 mm matkap ucuyla delinerek açılmalıdır.



İlk panelin sadece 10 mm arkasında bir saptırma paneli (II) bulunduğundan sadece ilk panelin (I) delinmesine izin verildiğini dikkate alınız.

3 ila **12** bağlantıları sıvı deterjan için öngörülmüştür. Bu bağlantılara su girişli yüksek basınç dozaj sistemleri bağlanmamalıdır. Bağlantı uçları kapalıdır ve bağlanmadan önce küçük bir testere ile hortum çapında kesilmelidir.

Açılan bağlantı uçları daha fazla kullanılmayacağı zaman, uygun bir sızdırmazlık maddesi (örneğin silikon) ile tekrar kapatılmalıdır.

Harici dozaj pompalarının bağlantısı ve kalibrasyonu, opsiyonel olarak temin edilebilen Connector-Box üzerinden yapılır.

Dozaj miktarının kesin olarak belirlenmesi için ayrıca akış ölçer veya akış sensörleri de bağlanabilir.

Kullanılan her bir dozaj maddesi için boş kap takibine yönelik bağlantılar mevcuttur.

Opsiyonlar/Sonradan satın alınabilen aksesuarlar

Sadece Miele tarafından açık bir şekilde onaylanmış aksesuarlar cihaza monte edilebilir veya takılabilir.
Başka aksesuarların monte edilmesi veya takılması halinde garanti, performans ve/veya ürün sorumluluğu talepleri geçersiz olur.

Sert su bağlantısı montaj kiti (APWM062)

Sert su türü için olan bağlantı, opsiyonel sert su bağlantısı kiti (APWM062) ile çamaşır makinesine eklenebilir.

İlave su bağlantısı ile sert su kullanılabilir ve böylece program süresi kısaltılabilir. Sert su, özellikle son yıkama işlemleri için uygundur.

Connector-Box APWM019/020

Connector-Box ile Miele'nin ve diğer tedarikçilerin harici donanımları Miele Professional cihazına bağlanabilir.

Connector-Box'a, ayrıca su girişi için akış ölçer bağlanabilir (APWM065).

Azami yük/Enerji yönetimi

Connector-Box vasıtasıyla bir azami yük ya da enerji yönetimi sistemi bağlanabilir.

Enerji yönetimi sistemi, münferit üniteleri kısa süreliğine azami yük kapatması aracılığıyla devre dışı bırakmak ve bu şekilde yük sınırının geçilmesini önlemek üzere, enerji tüketimini denetler.

Azami yük fonksiyonu etkinleştirildiğinde ısıtma kapatılır ve program durdurulur. Ekranda bununla ilgili bir bildirim görüntülenir.

Azami yük fonksiyonu sona erdikten sonra programa otomatik olarak devam edilir.

Sıvı deterjan dozajı bağlantısı

Sıvı deterjan dozajı için, harici sıvı dozaj pompaları bir Connector-Box üzerinden kontrol edilebilir. Her bir dozaj pompası çıkışına boşalma sensörü için bir giriş atanmıştır. Gerekirse bu girişler kullanılabilir. Ayrıca, dozaj miktarını izlemek için her bir dozajlama çıkışına bir akış ölçer (Flowmeter) bağlanabilir.

Yıkama yardımcılarının ve özel ürünlerin kullanımı ve kombinasyonunda ürün üreticisinin kullanım talimatlarını mutlaka dikkate alınız.

Ödeme ünitesi

Çamaşır makinesi, Connector-Box üzerinden sonradan satın alınabilir aksesuar olarak bir tekli ödeme sistemi ile donatılabilir.

Gerekli programlama işleme alma sırasında gerçekleştirilebilir. İşletme alma işleminden sonraki değişiklikler yalnızca Miele bayisi veya Miele Müşteri Hizmetleri tarafından yapılabilir.

Connector-Box durumunun, gerekmesi halinde işletmeci seviyesinde "açık" olarak ayarlanması gerektiğini dikkate alınız. Ardından işletmeci seviyesinde ödeme sistemi için ayarlar yapılabilir.

Ödeme sistemi işletmeci seviyesinden etkinleştirilmez.

tr - Kurulum bilgileri

Wi-Fi/LAN arayüzü

Çamaşır makinesi, veri alışverişi için bir Wi-Fi/LAN arayüzü ile donatılmıştır.

LAN bağlantısında sunulan veri arayüzü, SELV'ye (düşük güvenlik gerilimi) uygundur. LAN bağlantısı EIA/TIA 568B uyarınca bir RJ45 konektör ile gerçekleşir.

Bağlı cihazlar da SELV'ye uygun olmalıdır.

Baza (APWM022/035)

Çamaşır makinesi isteğe bağlı olarak (açık veya kapalı yapıda sonradan satın alınabilir Miele aksesuarı olarak) bir baza üzerine kurulabilir.

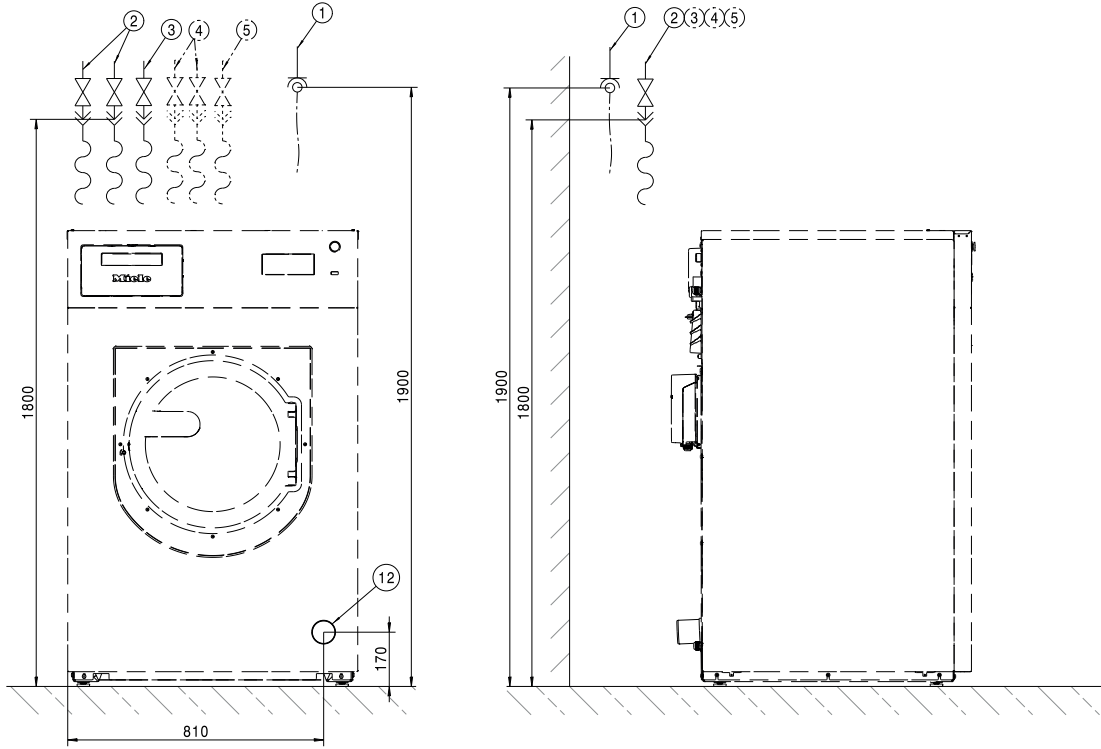
Çamaşır makinesinin yükseltilmiş olarak yerleştirilmesi makinenin doldurulması ve boşaltılması sırasında ergonomik koşullar sunar. Aynı zamanda su tahliye bağlantılarının da kolay yapılmasına olanak sağlar.

⚠ Çamaşır makinesi yerleştirildikten sonra mutlaka bazaya tespit edilmelidir! Baza da zemine tespit edilmelidir!
Aksi takdirde çamaşır makinesinin sıkma sırasında aşağı düşmesi tehlikesi oluşur.

Buhar ve Köpük Tahliyesi Montaj Kiti (APWM 063)

Çok fazla köpük oluşması durumunda buhar çıkışından köpük çıkabilir. Köpüğü tahliye etmek için isteğe bağlı Buhar ve Köpük Tahliyesi Montaj Kiti kullanılabilir.

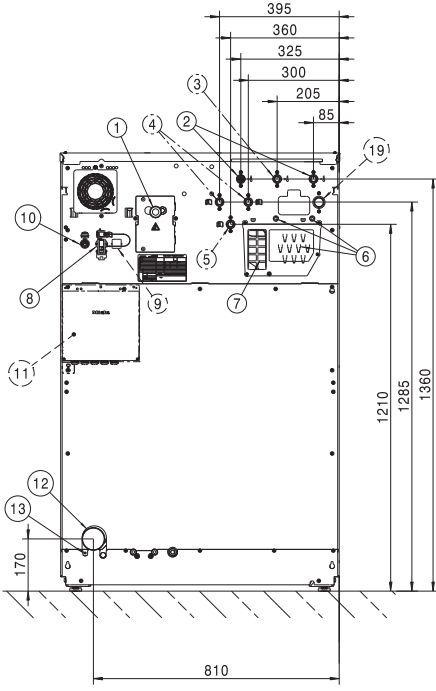
Standart



Ölçüler milimetre olarak verilmiştir

- | | |
|--|--|
| ① Elektrik bağlantısı | ④ Sert su için soğuk su bağlantısı (opsiyonel) |
| ② Soğuk su bağlantısı | ⑤ Sıvı dozajlama için soğuk su bağlantısı |
| ③ Soğuk su bağlantısı/Sıcak su bağlantısı
(EH ve RH modellerinde) | ⑫ Boşaltma borusu |

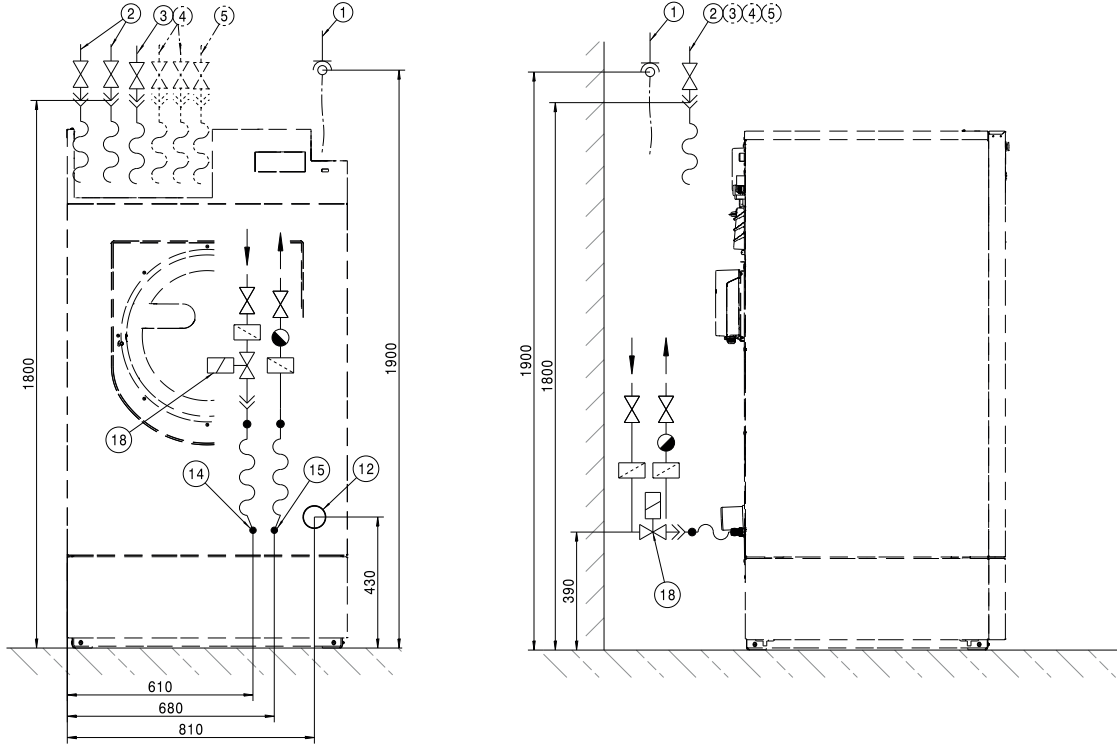
tr - Montaj



Ölçüler milimetre olarak verilmiştir

- ① Elektrik bağlantısı
- ② Soğuk su bağlantısı
- ③ Soğuk su bağlantısı/Sıcak su bağlantısı (EH ve RH modellerinde)
- ④ Sert su için soğuk su bağlantısı (opsiyonel)
- ⑤ Sıvı dozajlama için soğuk su bağlantısı
- ⑥ Dozaj pompası bağlantıları
- ⑦ Taşma ve hava alma
- ⑧ Connector-Box için bağlantı yeri
- ⑨ Connector Kiti için bağlantı yeri (opsiyonel)
- ⑩ LAN bağlantısı
- ⑪ Connector-Box (opsiyonel)
- ⑫ Boşaltma borusu
- ⑬ Potansiyel dengelemesi bağlantısı
- ⑭ Su geri kazanımı için bağlantı (opsiyonel)

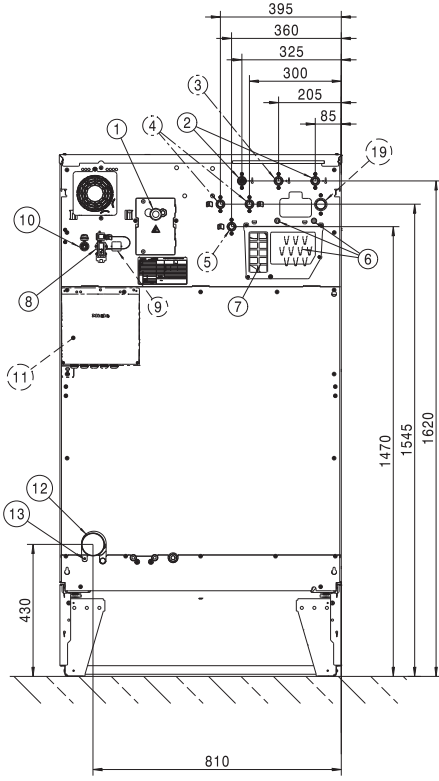
Baza



Ölçüler milimetre olarak verilmiştir

- | | |
|--|--|
| ① Elektrik bağlantısı | ④ Sert su için soğuk su bağlantısı (opsiyonel) |
| ② Soğuk su bağlantısı | ⑤ Sıvı dozajlama için soğuk su bağlantısı |
| ③ Soğuk su bağlantısı/Sıcak su bağlantısı
(EH ve RH modellerinde) | ⑫ Boşaltma borusu |

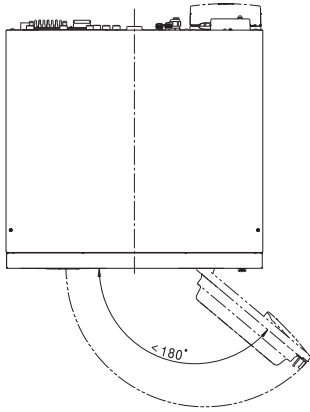
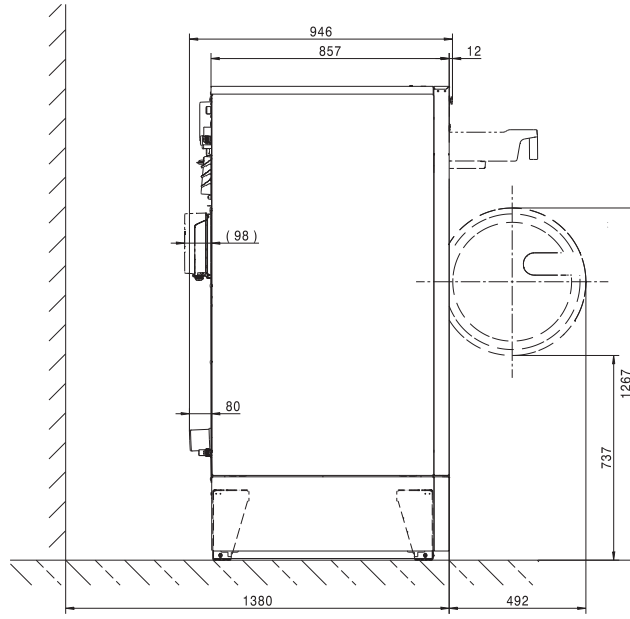
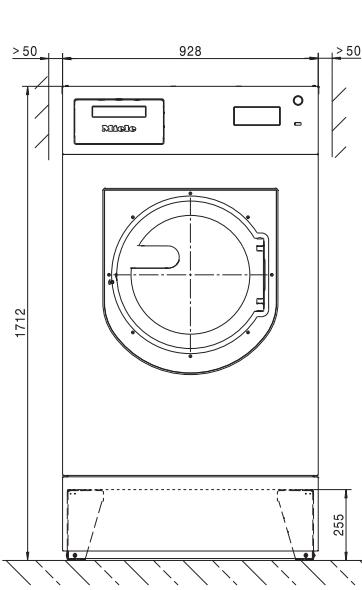
tr - Montaj



Ölçüler milimetre olarak verilmiştir

- | | |
|---|---|
| ① Elektrik bağlantısı | ⑧ Connector-Box için bağlantı yeri |
| ② Soğuk su bağlantısı | ⑨ Connector Kiti için bağlantı yeri (opsiyonel) |
| ③ Soğuk su bağlantısı/Sıcak su bağlantısı (EH ve RH modellerinde) | ⑩ LAN bağlantısı |
| ④ Sert su için soğuk su bağlantısı (opsiyonel) | ⑪ Connector-Box (opsiyonel) |
| ⑤ Sıvı dozajlama için soğuk su bağlantısı | ⑫ Boşaltma borusu |
| ⑥ Dozaj pompası bağlantıları | ⑬ Potansiyel dengelemesi bağlantısı |
| ⑦ Taşma ve hava alma | ⑭ Su geri kazanımı için bağlantı (opsiyonel) |

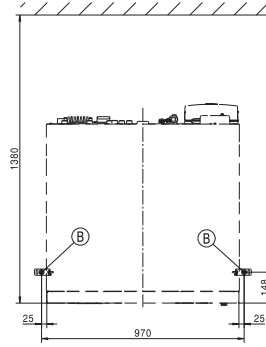
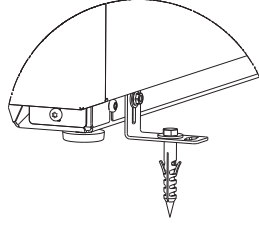
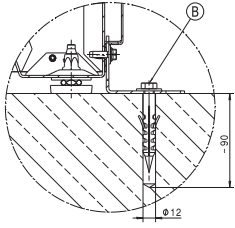
Baza



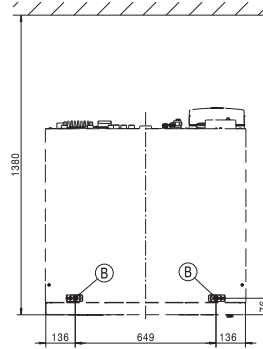
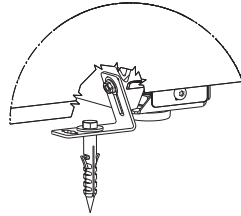
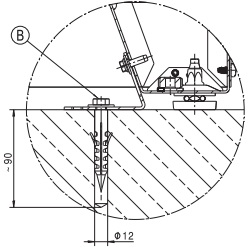
Ölçüler milimetre olarak verilmiştir

Zemine tespit

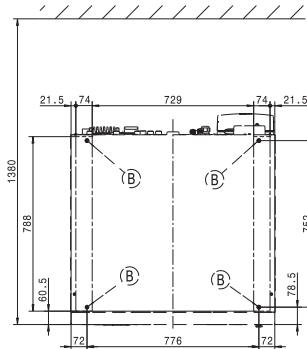
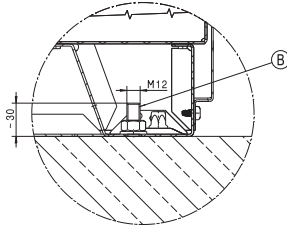
Standart



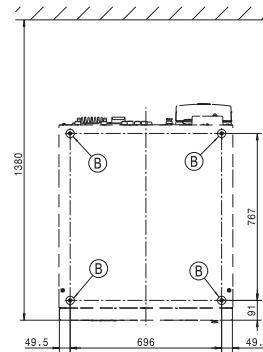
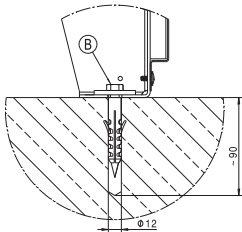
Sıralı kurulumda



Denizcilik



Baza



Ölçüler milimetre olarak verilmiştir

Ⓑ Cıvata/tespit noktası

Gerilim alternatifleri ve elektrik verileri

3 N AC 400 V EL DV

Bağlantı gerilimi	3N AC 400 V
Frekans	50/60 Hz
Gerekli sigorta (kurulum yerinde)	25 A
Minyatür devre kesicinin devreye girme özelliği	Tip B
Güç tüketimi	16 kW
Güç kablosu asgari kesiti	4 mm ²

3N AC 400 V RH

Bağlantı gerilimi	3N AC 400 V
Frekans	50/60 Hz
Gerekli sigorta (kurulum yerinde)	16 A
Güç tüketimi	10 kW
Güç kablosu asgari kesiti	2,5 mm ²

3 AC 230 V EL DV

Bağlantı gerilimi	3 AC 230 V
Frekans	50/60 Hz
Gerekli sigorta (kurulum yerinde)	50 A
Minyatür devre kesicinin devreye girme özelliği	Tip B
Güç tüketimi	16 kW
Güç kablosu asgari kesiti	10 mm ²

Su bağlantısı

Soğuk su bağlantısı

Gerekli akış basıncı	100 - 1000 kPa (1 - 10 bar)
Maksimum hacimsel debi	31,5 l/min
Gerekli bağlantı dişlisi (dıştan dişli, DIN 44991 uyarınca uygulayıcıya ait, düz contalı)	3 x 3/4"
Cihazla birlikte verilen giriş hortumunun uzunluğu	3 x 1550 mm

Sıcak su bağlantısı

Müsaade edilen maksimum sıcak su sıcaklığı	70 °C
Gerekli akış basıncı	100 - 1000 kPa (1 - 10 bar)
Maksimum hacimsel debi	16 l/min
Gerekli bağlantı dişlisi (dıştan dişli, DIN 44991 uyarınca, düz contalı)	1 x 3/4"
Cihazla birlikte verilen giriş hortumunun uzunluğu	1550 mm

Sıcak su bağlantısı (ısıtıcısız veya düşük ısıtma gücüne sahip modellerde)

Müsaade edilen maksimum sıcak su sıcaklığı	90 °C
Gerekli akış basıncı	100 - 1000 kPa (1 - 10 bar)
Maksimum hacimsel debi	16 l/min
Gerekli bağlantı dişlisi (dıştan dişli, DIN 44991 uyarınca, düz contalı)	1 x 1"
Cihazla birlikte verilen giriş hortumunun uzunluğu	1550 mm

Sert su bağlantısı (opsiyonel)

Gerekli akış basıncı	100 - 1000 kPa (1 - 10 bar)
Maksimum hacimsel debi	32 l/min
Gerekli bağlantı dişlisi (dıştan dişli, DIN 44991 uyarınca, düz contalı)	2 x 3/4"
Cihazla birlikte verilen giriş hortumunun uzunluğu	2 x 1550 mm

Standart bir program için ortalama su tüketimi (60° renkliler)

Soğuk su – yumuşak	47 l/sa.
Sert su bağlantısı olmadığında	100 l/sa.
Sıcak su – yumuşak	85 l/sa.
Soğuk su – sert	53 l/sa.

Atık su tahliyesi

Azami atık su sıcaklığı	95 °C
Atık su bağlantı parçası (makinede)	Plastik boru HT DN 70
Çıkış (kurulum yerinde)	Rakor DN 70
Azami çıkış hızı	200 l/min

Potansiyel dengelemesi bağlantısı

Dıştan dişli	M10
Tırtıllı pul	M10

tr - Teknik veriler

Yerleştirme ölçüleri

Gövde genişliği (ek parçalar hariç)	920 mm
Gövde yüksekliği (ek parçalar hariç)	1447 mm
Gövde derinliği (ek parçalar hariç)	857 mm
Toplam makine genişliği	924 mm
Toplam makine yüksekliği	1450 mm
Toplam makine derinliği	946 mm
Yerleştirme yeri asgari genişliği	1030 mm
Cihaz arka yüzü ile duvar arasındaki asgari mesafe	1380 mm
Kapak açıklığı çapı	415 mm
Kapak açılma açısı	180°

Tespit

Standart

Gerekli tespit noktaları	2
DIN 571 ahşap vidası (çap x uzunluk)	12 mm x 90 mm
Dübel (çap x uzunluk)	14 mm x 80 mm

Bazalı (APWM)

Gerekli tespit noktaları	4
DIN 571 ahşap vida (çap x uzunluk)	12 mm x 90 mm
Dübel (çap x uzunluk)	14 mm x 80 mm

Beton kaide

Gerekli tespit noktaları	2
DIN 571 ahşap vidası (çap x uzunluk)	12 mm x 90 mm
Dübel (çap x uzunluk)	14 mm x 80 mm

Nakliye verileri, ağırlık ve zemin yükü

Ambalaj genişliği	1090 mm
Ambalaj yüksekliği	1585 mm
Ambalaj derinliği	1130 mm
Brüt hacim	1952 l
Brüt ağırlık*	426 kg
Net ağırlık*	402 kg
İşletim sırasında azami zemin yükü*	6089 N






*Donanımına bağlı

Emisyon verileri

Yıkama işlemi sırasında çalışma yerine ilişkin ses basıncı seviyesi	54 dB (A)
Yıkama işleminde ses gücü seviyesi	62,0 dB (A)
Sıkma sırasında çalışma yerine ilişkin ses basıncı seviyesi	67 dB (A)
Sıkma sırasında ses gücü seviyesi	77,0 dB (A)
Kurulum yerine verilen ortalama ısı	6,48 MJ/h
Emisyon ses basınç seviyesi	67 dB (A) re 20 µPa

Instruções de instalação	84
Explicação das indicações de segurança e de aviso na máquina	84
Pré-requisitos de instalação	84
Condições de funcionamento gerais	84
Montagem	84
Instalação em base de betão.....	85
Nivelar	85
Fixar	86
Ligação elétrica.....	86
Ligações de água	87
Aviso para a Suíça.....	87
Legislação para a Áustria	87
Ligação à água fria	87
Ligação à água quente	88
Válvula de esgoto.....	88
Ligação à água em variantes com potência de aquecimento reduzida (RH)	89
Ligação à água em variantes com aquecimento exterior (EH).....	89
Ligações das bombas doseadoras.....	90
Opções/acessórios que podem ser adquiridos posteriormente.....	92
Conjunto de montagem para água dura (APWM062)	92
Connector Box APWM019/020	92
Interface Wi-Fi/LAN.....	94
Sapata (APWM022/035).....	94
Conjunto de montagem para condução de vapores e espuma (APWM 063)	94
Instalação	95
Padrão	95
Rodapé.....	97
Instalação	99
Padrão	99
Rodapé.....	100
Fixação ao solo	101
Caraterísticas técnicas	102
Variantes de tensão e caraterísticas elétricas.....	102
Ligações de água	103
Ligação à água fria	103
Ligação à água quente	103
Ligação de água quente (em variantes sem aquecimento e com potência de aquecimento reduzida)	103
Ligação para água dura (opcional).....	103
Consumo de água médio para um programa padrão (Roupa de cor 60°)	103
Descarga de água de esgoto	103
Entrada para ligação equipotencial.....	103
Dimensões de instalação	104
Fixação	104
Dados de transporte, peso e carga exercida sobre o solo	104
Dados de emissão.....	104

Explicação das indicações de segurança e de aviso na máquina

	Leia as instruções de utilização
	Cuidado, superfícies quentes
	Cuidado, tensão até 1000 V
	Terra de proteção
	Ligação equipotencial

Pré-requisitos de instalação

A instalação da máquina de lavar roupa só deve ser efetuada pelo serviço de assistência técnica da Miele ou por um técnico autorizado.

- ▶ A instalação da máquina de lavar roupa tem de ser efetuada em conformidade com as regras e normas aplicáveis. Além disso, os regulamentos da companhia de eletricidade local devem ser observados.
- ▶ Utilize a máquina de lavar roupa somente em locais bem ventilados e sem risco de ocorrência de gelo.

A máquina de lavar roupa não se destina a funcionar em atmosferas potencialmente explosivas!

Condições de funcionamento gerais

Esta máquina de lavar roupa destina-se ao uso industrial e não pode ser utilizada no exterior.

- Temperatura ambiente: 0-40 °C
- Humidade relativa do ar: sem condensação
- Altura de instalação máxima acima do nível do mar: 2000 m

Dependendo da natureza do local de instalação, pode ocorrer ruído ou transmissões de vibração.

Dica: Se forem colocados requisitos de isolamento de som para o local de instalação do aparelho, solicite a um técnico qualificado a inspeção do espaço.

Montagem

Transporte a máquina de lavar roupa com uma empilhadora até ao local de instalação e retire aí a embalagem de transporte.

A máquina de lavar roupa tem de ser instalada sobre uma superfície firme, totalmente estável e nivelada para que possa suportar, pelo menos, a capacidade de carga no piso indicada (consulte o capítulo «Caraterísticas técnicas»).

Dica: A superfície de instalação mais adequada será um pavimento de betão. Ao contrário do soalho em madeira ou de uma superfície mais macia, a superfície em betão não provoca oscilações do aparelho durante a centrifugação.

A carga no piso exercida pela máquina de lavar roupa atua como carga superficial na área da superfície de contacto na superfície de instalação.

Devido aos movimentos dinâmicos da máquina durante o funcionamento, a máquina de lavar roupa necessita de distâncias laterais de, pelo menos, 50 mm. A distância do lado traseiro do aparelho até à parede traseira deveria ser no mínimo de 400 mm.

A máquina de lavar roupa não pode ser colocada num piso alcatifado. Fixe a máquina de lavar roupa ao piso nos pontos de fixação previstos com o material de fixação contido no volume de fornecimento.


O material de fixação fornecido destina-se à fixação por bucha a um pavimento de betão. Caso existam outras estruturas de piso no local de instalação, o material de fixação deve ser fornecido pelo cliente no local.

Instalação em base de betão

Opcionalmente, a máquina de lavar pode ser instalada numa base de betão.

A qualidade do betão e a resistência da base de betão têm de ser determinadas de acordo com a capacidade de carga do solo no capítulo «Caraterísticas técnicas».

- Certifique-se de que base de betão possui aderência suficiente ao solo e consegue suportar a carga exercida pela máquina para assegurar a estabilidade estática do aparelho.
- Após a instalação da base, fixe a máquina impreterivelmente com o material de fixação fornecido.

 Após a instalação, a máquina tem de ser impreterivelmente fixa à base de betão!

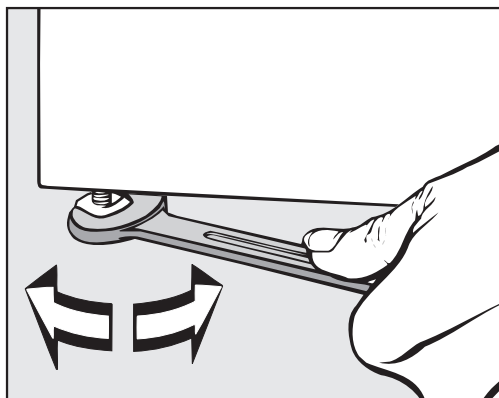
Sem fixação existe o risco de a máquina de lavar tombar durante a centrifugação, caindo da base.

Nivelar

- Nivele a máquina de lavar após a instalação na longitudinal e transversal com um nível de bolha e os pés de apoio reguláveis.

Para que seja assegurado um funcionamento correto e eficiente do ponto de vista energético, após a sua instalação a máquina de lavar tem de ser alinhada na horizontal e de forma uniforme sobre os quatro pés de apoio. Caso contrário, o consumo de água e energia elétrica aumenta e a máquina até pode saltar do lugar.

- Após o nivelamento, aperte as porcas de segurança com uma chave de parafusos rodando-as no sentido contrário aos ponteiros do relógio, para que os pés não saiam da posição.



Fixar

- Para assegurar a estabilidade, fixe a máquina ao solo através dos pés de apoio com o material de fixação fornecido.

O material de fixação fornecido junto destina-se à fixação por bucha a um pavimento de betão. Para outras estruturas de solo deve ser pedido o respectivo material de fixação em separado.

Ligação elétrica

A ligação elétrica deve ser efetuada exclusivamente por um eletricitista qualificado, que será totalmente responsável pelo cumprimento das normas e legislação existentes.

- ▶ A máquina de lavar tem de ser ligada a uma instalação elétrica que foi projetada de acordo com as normas nacionais e locais. Além disso, devem ser tidos em conta os regulamentos da empresa fornecedora de eletricidade, os regulamentos de prevenção de acidentes e os regulamentos técnicos reconhecidos.
- ▶ A tensão de alimentação necessária, o consumo de energia e os requisitos para a proteção externa por fusíveis estão indicados na placa de características da máquina de lavar. Certifique-se de que os valores de tensão da rede elétrica correspondem às especificações de tensão constantes da placa de características antes de a máquina de lavar ser ligada à corrente.

Ao efetuar a ligação a uma tensão diferente da indicada na placa de características poderá ocorrer o mau funcionamento ou a avaria da máquina.

Se na placa de características estiverem indicados vários valores de tensão, então a máquina pode ser comutada pelo serviço de assistência técnica da Miele para um dos valores de tensão indicados.

- ▶ A comutação de tensão só pode ser efetuada pelo serviço de assistência técnica ou por distribuidores autorizados Miele. Observe as indicações no esquema elétrico.

A máquina de lavar pode ser ligada através de uma ligação fixa ou através de uma ficha de acordo com a norma IEC 60309-1. Para efetuar uma ligação fixa, deve ser instalado no local um quadro elétrico omnipolar.

Como quadro elétrico são válidos os que têm uma abertura de contacto com mais de 3 mm. Estes incluem, p. ex., disjuntores, fusíveis e contactores (IEC/EN 60947).

O quadro elétrico (incluindo a ficha) deve estar protegido contra ligação involuntária e não autorizada quando não estiver previsto monitorizar uma interrupção permanente de corrente a partir de todos os pontos de acesso.

Dica: De preferência deve efetuar a ligação da máquina à corrente através de uma ficha para que qualquer trabalho de manutenção ou testes elétricos possam ser realizados mais facilmente e em segurança.

► Se, de acordo com os requisitos locais, for necessário instalar um disjuntor diferencial residual (RCD), tem de ser obrigatoriamente utilizado um disjuntor diferencial residual tipo B (universal).

Se estiver instalado um disjuntor diferencial residual (RCD) tipo A, terá de ser trocado por um do tipo B.

► De acordo com as disposições locais e nacionais em vigor relativas à instalação, poderá ser necessário instalar uma ligação equipotencial com bom contacto.

No caso de correntes de fuga >10 mA tem de ser realizada uma ligação equipotencial.

Os acessórios necessários para a ligação equipotencial não fazem parte do âmbito de fornecimento.

Ligações de água

Aviso para a Suíça Em conformidade com a norma SIA 385.351/EN 1717 e a recomendação da SVGW, deve ser instalado um dispositivo antirretorno. Pode obter um dispositivo antirretorno em conformidade com a norma junto do seu canalizador.

Legislação para a Áustria Para a tubagem de ligação do ponto de ligação no aparelho à unidade interna só devem ser utilizados os tubos rígidos enumerados no artigo 12, secção 1, do regulamento de execução da lei austríaca relativa à distribuição da água de 1960 (Wasserversorgungsgesetz).

A utilização de mangueiras de borracha ou de plástico como tubagens de ligação sob pressão entre a unidade interna e o aparelho só é, então, permitida se as mesmas:

- incluindo os encaixes de ligação integrados suportarem uma pressão de duração mínima de 1500 kPa (15 bar),
- elas forem bem supervisionadas durante a colocação em funcionamento do aparelho,
- após a respectiva utilização do aparelho, devido ao bloqueio da afluência de água antes da mangueira de borracha ou de plástico elas forem colocadas fora de funcionamento, de forma fiável, ou forem separadas principalmente da unidade interna.

Ligação à água fria Para a ligação à água fria deve ser usada 1 torneira de água com uma rosca exterior de $\frac{3}{4}$ ".

pt - Instruções de instalação

A mangueira de entrada de água fria (risca azul) não é adequada para uma ligação à água quente.

Ligação à água quente

Para manter o consumo de energia o mais baixo possível durante a operação com água quente, a máquina de lavar roupa deve ser ligada a um circuito fechado de água quente.

Em caso de não utilização constante, as chamadas «condutas de derivação» (condutas individuais que conduzem ao aquecedor de água) levam ao arrefecimento da água que se encontra na conduta. Nesse caso, para aquecimento da solução de lavagem seria preciso gastar mais energia elétrica.

Para a ligação à água quente, utilize a mangueira de entrada fornecida (risca vermelha).

Nas variantes com aquecimento elétrico (EL), a temperatura da água quente de entrada não pode exceder 70 °C.

Nas variantes sem aquecimento (EH) e com potência de aquecimento reduzida (RH), a temperatura da água quente de entrada não pode exceder 90 °C.

Para a ligação podem ser utilizadas apenas as mangueiras de entrada fornecidas.

Se não existir uma conduta de água quente, a mangueira de entrada para água quente tem de ser ligada também ao abastecimento de água fria. Nesse caso, é necessária uma peça em Y adicional. A necessidade de água fria da máquina de lavar roupa é aumentada adicionalmente à quantidade de água quente necessária originalmente.

Por razões funcionais e técnicas inerentes ao processo, não é possível uma operação exclusiva com água quente.

Mesmo que exista uma ligação à água quente, a máquina de lavar roupa tem de ser ligada a uma linha de abastecimento de água fria.

Válvula de esgoto

Nas máquinas de lavar roupa com uma válvula de esgoto, o esgoto da água de lavagem é efetuado por uma válvula motorizada. A válvula de esgoto pode ser ligada diretamente ao sistema de esgoto (sem sifão) ou a uma drenagem subterrânea (câmara de esgoto com sifão) através de uma tubuladura angular HT DN 70 à venda no comércio.

Graças ao mecanismo de fecho otimizado e uma maior secção de esgoto, quase não há acumulação de depósitos nem obstruções mesmo na presença de sujidade grosseira. Para ser possível esvaziar a cuba, mesmo no caso de falha de corrente, a válvula de esgoto possui um dispositivo de comando manual para casos excepcionais.


Para um esgoto sem problemas, é necessária uma instalação ventilada das condutas.

Se forem ligados vários aparelhos a uma conduta coletiva, esta tem de apresentar uma secção suficientemente grande para a operação simultânea de todos os aparelhos.

Para ventilação de um tubo HT DN 70, pode utilizar o conjunto de montagem adequado da Miele com o n.º de referência 05 238 090, disponível junto do serviço de assistência técnica da Miele ou do distribuidor Miele.

No caso de uma pendente de fluxo demasiado elevada, deve ser prevista uma ventilação dos tubos, para evitar a formação de vácuo no sistema de esgoto da máquina de lavar roupa.

No caso de atrasos de esgoto da água ou refluxo no tambor de lavagem (devido a uma secção demasiado pequena), podem ocorrer problemas na sequência do programa, os quais provocam mensagens de erro nos aparelhos.

 A água de lavagem escoada pode apresentar uma temperatura até 95 °C. Existe risco de queimaduras!
Evite o contacto direto.

Ligação à água em variantes com potência de aquecimento reduzida (RH)

A máquina deve estar ligada à água fria e à água quente. Para poder utilizar todos os programas, recomenda-se uma temperatura da água quente de, pelo menos, 80 °C. Temperaturas mais baixas podem levar a tempos de funcionamento mais longos ou ao cancelamento de programas. Não são permitidas temperaturas de entrada de água inferiores a 60 °C, uma vez que conduzem ao aumento significativo do tempo de funcionamento.

Ligação à água em variantes com aquecimento exterior (EH)


A máquina deve estar ligada à água fria e à água quente. Recomenda-se uma temperatura da água quente de, pelo menos, 80 °C. A utilização de programas de desinfeção nem sempre é possível devido à falta de reaquecimento. A temperatura de entrada determina as temperaturas de lavagem utilizáveis.

Apenas para a Alemanha

Para proteger água potável, deve ser montada uma válvula antirretorno entre a torneira de água e a ligação à água da máquina de lavar roupa. Se a instalação doméstica for realizada por profissionais, as ligações previstas para o efeito (p. ex., válvula angular) já estão equipadas com este dispositivo de segurança. Certifique-se de que existe uma válvula antirretorno na sua instalação doméstica.

Quando utilizar uma válvula antirretorno separada, observe a seguinte sequência:

1. Fixe a válvula antirretorno à ligação à água.
2. Fixe a mangueira de entrada de água à válvula antirretorno.

 Perigo para a saúde e danos devido à entrada de água contaminada.

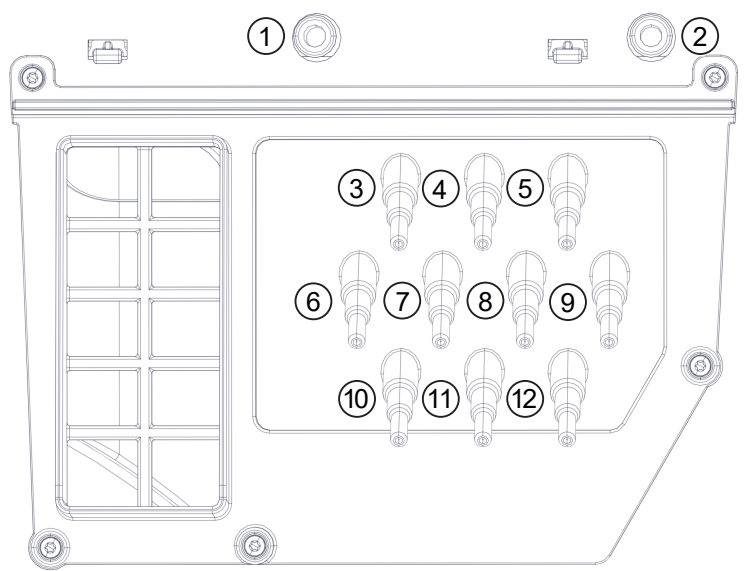
A qualidade da água que entra deve estar em conformidade com as especificações relativas à água potável do respetivo país, em que a máquina de lavar roupa é operada.

Ligue sempre a máquina de lavar roupa à água potável.

⚠ As uniões roscadas estão sob pressão da tubagem da água. Mediante abertura lenta das torneiras de água, verifique se as ligações estão estanques. Se necessário, corrija o encaixe da junta e da união roscada.

Ligações das bombas doseadoras

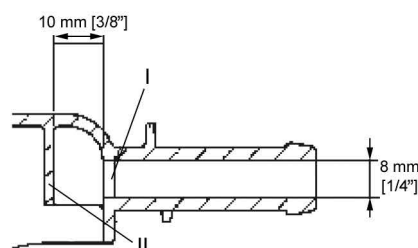
À máquina de lavar roupa podem ser ligadas até 12 bombas doseadoras.



Ligações das bombas doseadoras na parte de trás do aparelho

As ligações **1** e **2** são previstas para a dosagem de pastas e também devem ser utilizadas para sistemas de dosagem de alta pressão com injeção de água. Os sistemas de dosagem devem estar equipados com um dispositivo de segurança de água potável independente conforme as normas EN 61770 e EN 1717. O caudal máximo é de 1500 ml/min a, no máximo, 300 kPa de pressão de fluxo.

Estes bocais de ligação estão fechados e têm de ser perfurados, antes da ligação, com uma broca de 8 mm.



Tenha em atenção que apenas o primeiro painel (**I**) pode ser perfurado, pois meros 10 mm atrás do primeiro painel encontra-se um painel de amortecimento (**II**).

As ligações **3** a **12** são previstas para detergente líquido. Nestas ligações não podem ser ligados sistemas de dosagem de alta pressão com injeção de água. Os bocais de ligação estão fechados e têm de ser cortados com uma pequena serra, antes da ligação, até ao diâmetro da mangueira.

Se bocais de ligação abertos deixarem de ser utilizados, estes têm de voltar a ser fechados com um material de vedação adequado (p. ex., silicone).

A ligação, bem como a calibração de bombas doseadoras externas, é efetuada através da Connector Box disponível como opcional.

Para um registo preciso da quantidade de dosagem podem, adicionalmente, ser também ligados medidores do volume do caudal.

Para cada meio de dosagem utilizado estão disponíveis ligações para uma monitorização do nível vazio.

Opções/acessórios que podem ser adquiridos posteriormente

Só é possível instalar ou montar acessórios se forem expressamente recomendados pela Miele.

Se forem montadas ou ligadas outras peças, fica excluído o direito à garantia e/ou a responsabilidade pelo produto.

Conjunto de montagem para água dura (APWM062)

A ligação para os pontos de água dura pode ser posteriormente equipada com o conjunto de montagem para água dura (APWM062) opcional na máquina de lavar roupa.

A água dura pode ser utilizada através da ligação à água adicional, encurtando desse modo o tempo de funcionamento do programa. A água dura é também apropriada para ciclos de lavagem finais.

Connector Box APWM019/020

A Connector Box permite que hardwares externos da Miele e de outros fornecedores sejam ligados à máquina Miele Professional.

Também podem ser conectados fluxímetros à Connector Box para a entrada de água (APWM065).

Gestão de pico de corrente/energia

Através da Connector Box pode ser conectado um sistema de gestão de pico de corrente/sistema de gestão de energia.

O sistema de gestão de energia monitoriza o consumo de energia de um objeto, para desativar seletivamente consumidores individuais durante um curto período, através do sistema de desativação de picos de corrente e impedir, dessa forma, que o limite de carga seja excedido.

Ao ativar a função de picos de corrente, o aquecimento é desligado e o programa para. No visor aparece então a mensagem correspondente.

No final da função picos de corrente, o programa continua automaticamente.

Ligação para dosagem de líquidos

Para uma dosagem com detergentes líquidos, podem ser ativadas bombas doseadoras de líquidos externas através da Connector Box. A cada saída da bomba doseadora é atribuída uma entrada para o sensor de nível de vazio. Estas entradas podem ser utilizadas em caso de necessidade. Além disso, podem ser ligados medidores do volume do caudal a cada saída de dosagem para monitorizar a quantidade de dosagem.

Ao utilizar e combinar produtos de lavagem auxiliares e produtos especiais, é imprescindível que tenha em conta as indicações de utilização do fabricante.

Mealheiro

A máquina de lavar roupa pode ser equipada, através da Connector Box, com um sistema de pagamento individual como acessório que pode ser adquirido posteriormente.

A programação necessária pode ser executada durante a primeira colocação em funcionamento. Após conclusão da primeira colocação em funcionamento, as alterações apenas podem ser efetuadas por distribuidores Miele ou pelo serviço de assistência técnica da Miele.

É favor notar que o estado da Connector Box no nível do operador deve ser definido para «ligado», se necessário. As regulações do sistema de pagamento podem então ser efetuadas no nível do operador.

A ativação do sistema de pagamento não ocorre através do nível do operador.

pt - Instruções de instalação

Interface Wi-Fi/ LAN

A máquina de lavar roupa está equipada com uma interface Wi-Fi/ LAN para intercâmbio de dados.


A interface de dados disponibilizada na ligação LAN está em conformidade com a SELV (baixa tensão). A ligação LAN ocorre com uma ficha RJ45 conforme a EIA/TIA 568B.

Os aparelhos ligados devem igualmente estar em conformidade com a SELV.

Sapata (APWM022/035)

Opcionalmente, a máquina de lavar roupa pode ser instalada com uma sapata (disponível como acessório opcional Miele em versão fechada ou aberta).

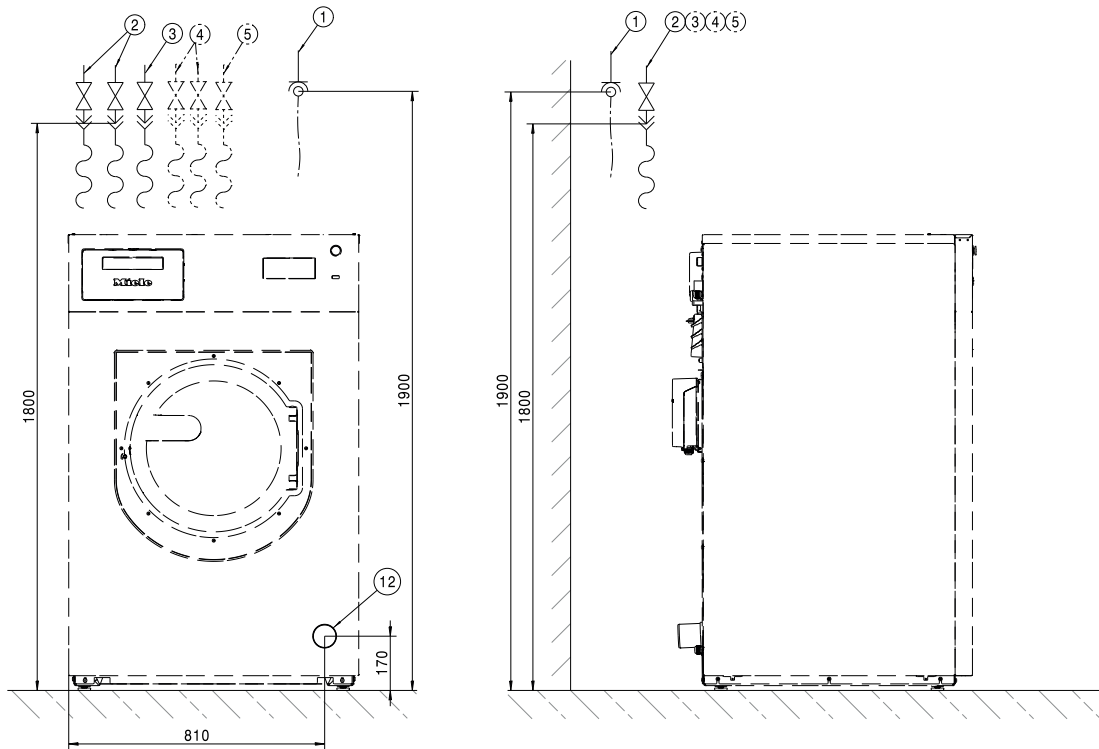
A instalação elevada da máquina de lavar roupa permite uma forma de trabalhar mais ergonómica durante as operações de carga e descarga. Ao mesmo tempo, permite a instalação fácil de uma ligação para águas residuais.

 Após a instalação, a máquina de lavar roupa tem de ser impreteivelmente fixada à sapata! A sapata tem de ser fixa ao pavimento! Sem fixação existe risco de a máquina de lavar roupa tombar durante a centrifugação.

Conjunto de montagem para condu- ta de vapores e espuma (APWM 063)

No caso de produção de espuma elevada pode sair espuma pela extração de vapor. Para escoar a espuma pode ser utilizado o conjunto de montagem opcional para condução de vapores e espuma.

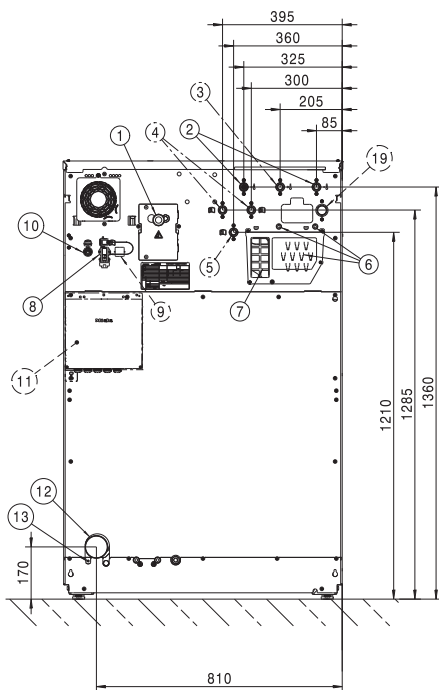
Padrão



Dimensões em milímetros

- ① Ligação elétrica
- ② Ligação à água fria
- ③ Ligação à água quente/ligação à água quente (nas variantes EH e RH)
- ④ Ligação à água fria para água dura (opcional)
- ⑤ Ligação à água fria para dosagem de líquidos
- ⑫ Tubo de esgoto

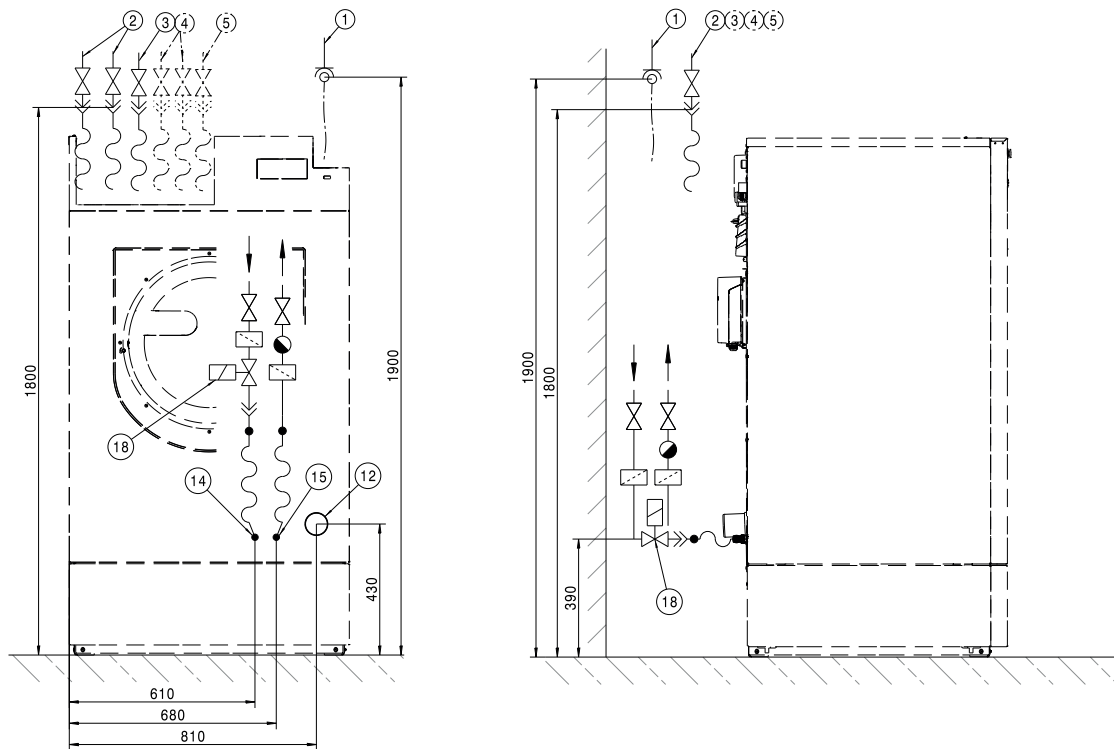
pt - Instalação



Dimensões em milímetros

- ① Ligação elétrica
- ② Ligação à água fria
- ③ Ligação à água quente/ligação à água quente (nas variantes EH e RH)
- ④ Ligação à água fria para água dura (opcional)
- ⑤ Ligação à água fria para dosagem de líquidos
- ⑥ Ligações da bomba doseadora
- ⑦ Transbordo e ventilação
- ⑧ Ligação para Connector Box
- ⑨ Ligação para Connector Kit (opcional)
- ⑩ Ligação LAN
- ⑪ Connector Box (opcional)
- ⑫ Tubo de esgoto
- ⑬ Entrada para ligação equipotencial
- ⑭ Ligação para recuperação de água (opcional)

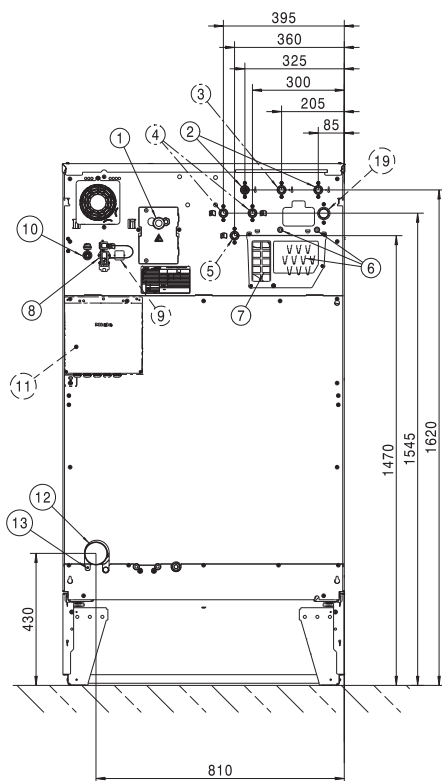
Rodapé



Dimensões em milímetros

- ① Ligação elétrica
- ② Ligação à água fria
- ③ Ligação à água quente/ligação à água quente (nas variantes EH e RH)
- ④ Ligação à água fria para água dura (opcional)
- ⑤ Ligação à água fria para dosagem de líquidos
- ⑫ Tubo de esgoto

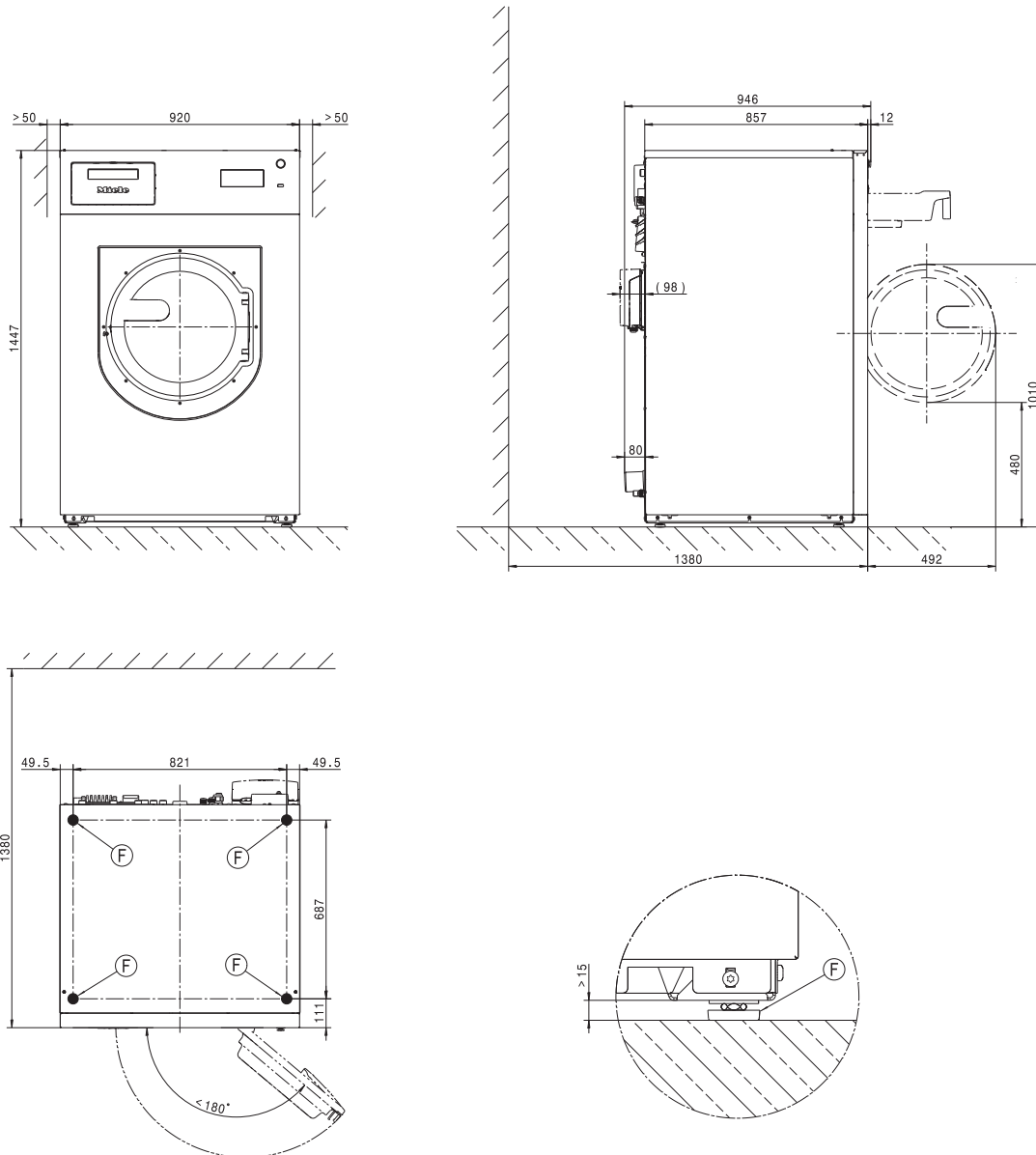
pt - Instalação



Dimensões em milímetros

- ① Ligação elétrica
- ② Ligação à água fria
- ③ Ligação à água quente/ligação à água quente (nas variantes EH e RH)
- ④ Ligação à água fria para água dura (opcional)
- ⑤ Ligação à água fria para dosagem de líquidos
- ⑥ Ligações da bomba doseadora
- ⑦ Transbordo e ventilação
- ⑧ Ligação para Connector Box
- ⑨ Ligação para Connector Kit (opcional)
- ⑩ Ligação LAN
- ⑪ Connector Box (opcional)
- ⑫ Tubo de esgoto
- ⑬ Entrada para ligação equipotencial
- ⑭ Ligação para recuperação de água (opcional)

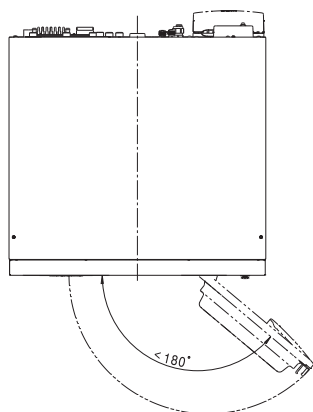
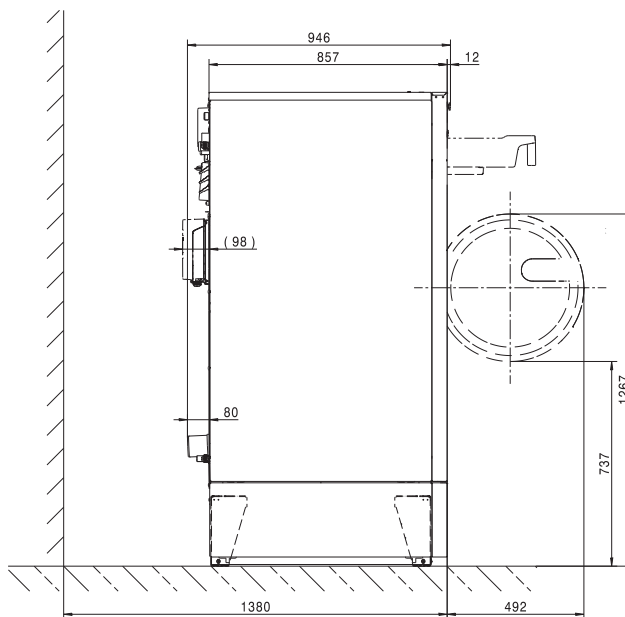
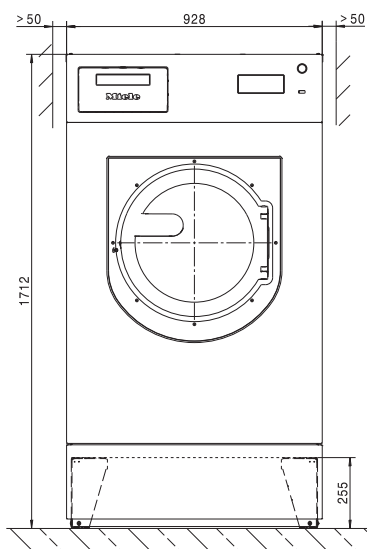
Padrão



Dimensões em milímetros

ⓕ Pé aparafusável

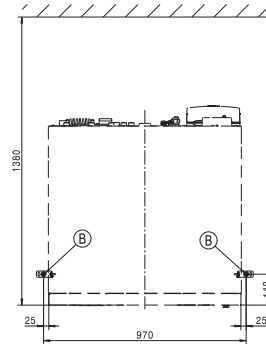
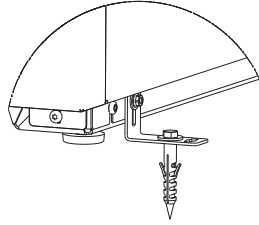
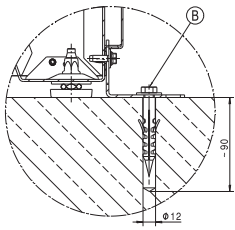
Rodapé



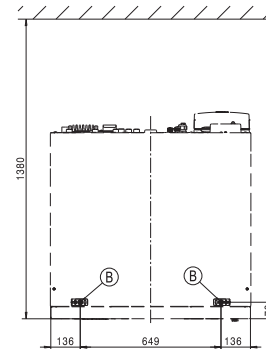
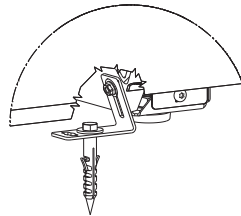
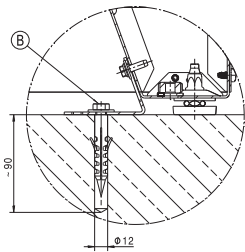
Dimensões em milímetros

Fixação ao solo

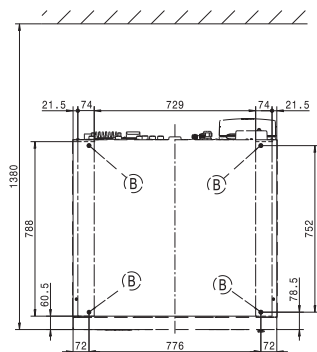
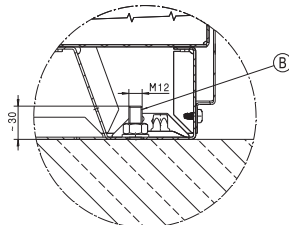
Padrão



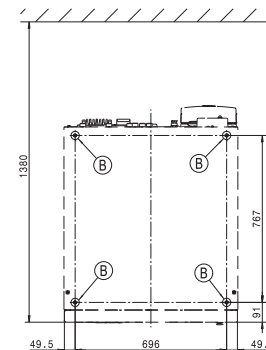
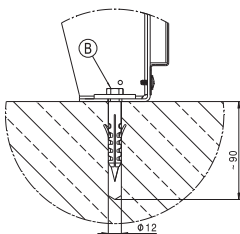
Em instalação em série



Marinha



Rodapé



Dimensões em milímetros

ⓑ Parafuso/Ponto de fixação

pt - Características técnicas

Variantes de tensão e características elétricas

3N AC 400 V EL VE

Tensão de ligação	3N AC 400 V
Frequência	50/60 Hz
Disjuntor necessário (no local)	25 A
Caraterística de disparo do disjuntor	Tipo B
Consumo de energia	16 kW
Secção transversal mínima para cabo de ligação	4 mm ²

3N AC 400 V RH

Tensão de ligação	3N AC 400 V
Frequência	50/60 Hz
Disjuntor necessário (no local de instalação)	16 A
Consumo de energia	10 kW
Secção transversal mínima para o cabo elétrico	2,5 mm ²

3 AC 230 V EL VE

Tensão de ligação	3 AC 230 V
Frequência	50/60 Hz
Disjuntor necessário (no local)	50 A
Caraterística de disparo do disjuntor	Tipo B
Consumo de energia	16 kW
Secção transversal mínima para cabo de ligação	10 mm ²

Ligações de água

Ligação à água fria

Pressão de fluxo necessária	100 - 1000 kPa (1 - 10 bar)
Fluxo volumétrico máximo	31,5 l/min
Rosca de ligação necessária (rosca macho, no local de acordo com DIN 44991, vedação plana)	3 x 3/4"
Comprimento da mangueira de entrada fornecida	3 x 1550 mm

Ligação à água quente

Temperatura máxima permissível da água quente	70 °C
Pressão de fluxo necessária	100 - 1000 kPa (1 - 10 bar)
Fluxo volumétrico máximo	16 l/min
Rosca de ligação necessária (rosca macho, de acordo com DIN 44991, vedação plana)	1 x 3/4"
Comprimento da mangueira de entrada fornecida	1550 mm

Ligação de água quente (em variantes sem aquecimento e com potência de aquecimento reduzida)

Temperatura de água quente máxima admissível	90 °C
Pressão de fluxo necessária	100 - 1000 kPa (1 - 10 bar)
Fluxo volumétrico máximo	16 l/min
Rosca de ligação necessária (rosca macho, de acordo com DIN 44991, vedação plana)	1 x 1"
Comprimento da mangueira de entrada fornecida	1550 mm

Ligação para água dura (opcional)

Pressão de fluxo necessária	100 - 1000 kPa (1 - 10 bar)
Fluxo volumétrico máximo	32 l/min
Rosca de ligação necessária (rosca macho, de acordo com DIN 44991, vedação plana)	2 x 3/4"
Comprimento da mangueira de entrada fornecida	2 x 1550 mm

Consumo de água médio para um programa padrão (Roupa de cor 60°)

Água fria: macia	47 l/h
na ausência de uma ligação para água dura	100 l/h
Água quente: macia	85 l/h
Água fria: dura	53 l/h

Descarga de água de esgoto

Temperatura máxima das águas residuais	95 °C
Tubuladura de águas residuais (lado da máquina)	Tubo de plástico HT DN 70
Esgoto (no local)	Manga DN 70
Velocidade de esgoto máxima	200 l/min

Entrada para ligação equipotencial

Rosca exterior	M10
Anilhas dentadas	M10

pt - Características técnicas

Dimensões de instalação

Largura da estrutura (sem acessórios montados)	920 mm
Altura da estrutura (sem acessórios montados)	1447 mm
Profundidade da estrutura (sem acessórios montados)	857 mm
Largura total da máquina	924 mm
Altura total da máquina	1450 mm
Profundidade total da máquina	946 mm
Largura mínima de abertura de instalação	1030 mm
Distância mínima entre a parede e a parte de trás do aparelho	1380 mm
Diâmetro de abertura da porta	415 mm
Ângulo de abertura da porta	180°

Fixação

Padrão

Pontos de fixação necessários	2
Parafuso para madeira DIN 571 (diâmetro x comprimento)	12 mm x 90 mm
Bucha (diâmetro x comprimento)	14 mm x 80 mm

Com sapata (APWM)

Pontos de fixação necessários	4
Parafuso para madeira DIN 571 (diâmetro x comprimento)	12 mm x 90 mm
Bucha (diâmetro x comprimento)	14 mm x 80 mm

Base de betão

Pontos de fixação necessários	2
Parafuso para madeira DIN 571 (diâmetro x comprimento)	12 mm x 90 mm
Bucha (diâmetro x comprimento)	14 mm x 80 mm

Dados de transporte, peso e carga exercida sobre o solo

Largura da embalagem	1090 mm
Altura da embalagem	1585 mm
Profundidade da embalagem	1130 mm
Volume bruto	1952 l
Peso bruto*	426 kg
Peso líquido*	402 kg
Carga máxima no piso durante o funcionamento*	6089 N

*dependente do equipamento

Dados de emissão

Nível de pressão acústica no local de trabalho, lavagem	54 dB (A)
Nível de ruído, lavagem	62,0 dB (A)
Nível de pressão acústica no local de trabalho, centrifugação	67 dB (A)
Nível de ruído, centrifugação	77,0 dB (A)
Libertação média de calor no local de instalação	6,48 MJ/h
Nível de emissão e pressão sonora	67 dB (A) re 20 µPa

Miele



Miele & Cie. KG
Carl-Miele-Straße 29
33332 Gütersloh
Germany
Telefon: 05241 89-0
Internet: www.miele.com/professional

