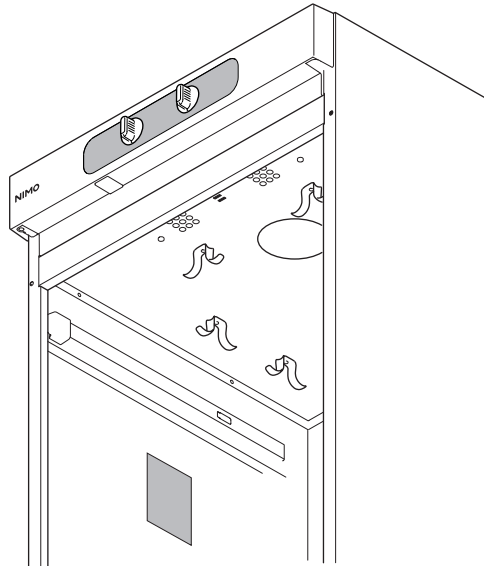
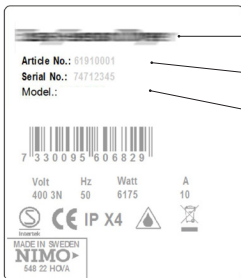


427001390

Keep this manual so that it will always be on hand for future reference.



Identification plate (inside)



Name of the drying cabinet

Article number

Serial number (8 digits) / Nimo ID no. (5 digits)

Manufacturer: NIMO-VERKEN AB
 Box 288
 542 23 Mariestad
 info@nimoverken.com
 www.nimoverken.com



We reserve the right to make alterations.
 Printed on environmentally friendly paper
 meeting the requirements of Friends of the
 Earth Sweden and the Swedish Society for
 Nature Conservation.

Doc. No: 427001390 / 02

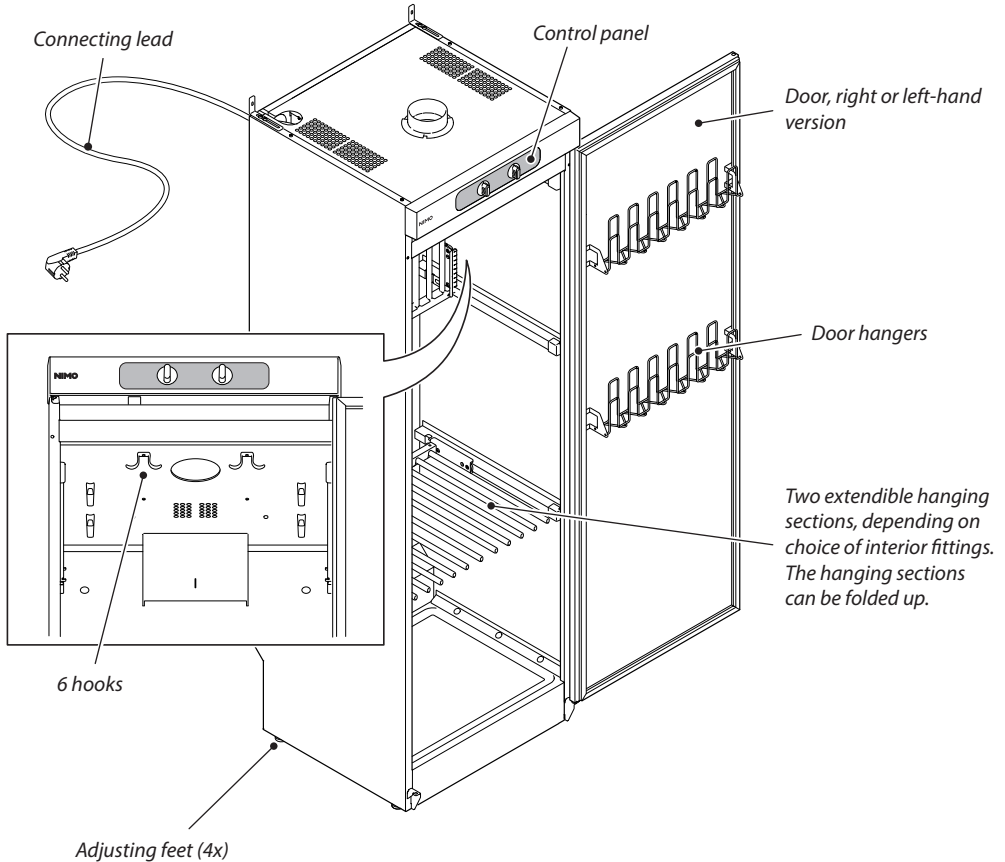
Contents

1	<i>Description of the drying cabinet</i>	4
2	<i>Evacuation / Supply air</i>	5
2.1	<i>Easy Dryer 1900</i>	5
3	<i>Control panel Easy Dryer</i>	6
4	<i>Rehanging of door</i>	7
5	<i>Wiring diagram</i>	8
5.1	<i>Manual</i>	8
6	<i>Fan unit</i>	9
6.1	<i>Replacement of fan unit</i>	9
6.2	<i>Fan unit, EasyDryer</i>	10
7	<i>Accessories</i>	11
8	<i>Breakdowns</i>	12
9	<i>Troubleshooting</i>	13
9.1	<i>Easy Dryer</i>	13
10	<i>Dimensional drawing</i>	14

1 Description of the drying cabinet

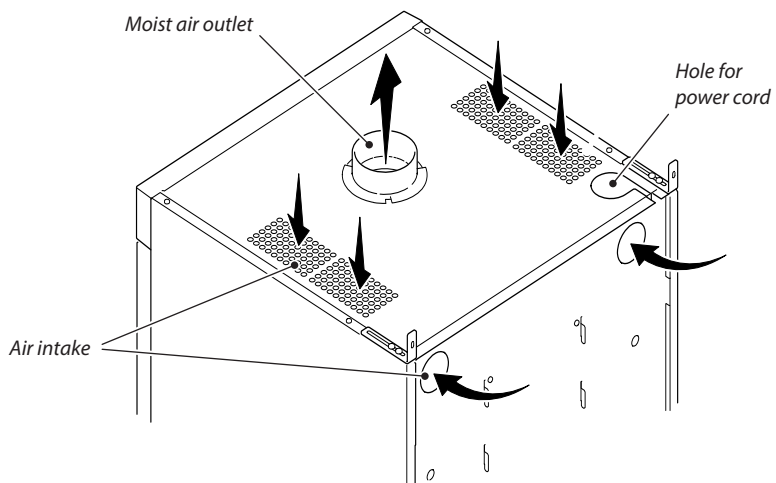
The drying cabinet operates with hot air that removes moisture from the laundry. The heating and fan components are combined in the **Fan unit** in the top part of the drying cabinet.

Easy Dryer 1900, where the cabinet is controlled by two knobs, one for setting power modes and the other for adjusting drying time. The cabinet is vented through a spigot on the roof.

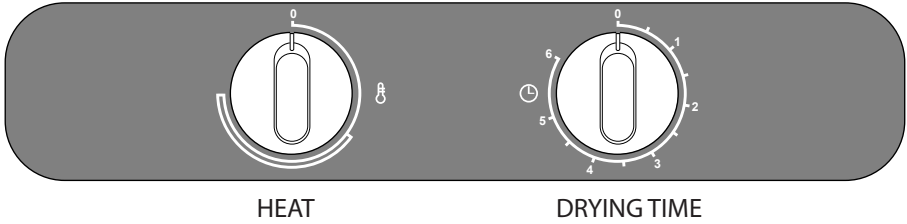


2 Evacuation / Supply air

2.1 Easy Dryer 1900



3 *Control panel Easy Dryer*



The cabinet is equipped with two knobs for setting different power modes.

The left-hand knob regulates heat with power modes on a stepless scale.

The right-hand knob regulates drying time steplessly up to six hours.

4 Rehanging of door

The door may be right-hung or left-hung.

- 1 Lay the drying cabinet down on its side.
- 2 Loosen the hinge pin at the lower hinge (1) and lift off the door. Retain the washer (3).

- 3 Detach the hinge pin at the upper hinge (2) and install it on the opposite side. The pin has a slot for a screwdriver.
- 4 Rotate the door, fit and screw in the door with the lower hinge pin (1) and the washer (3).

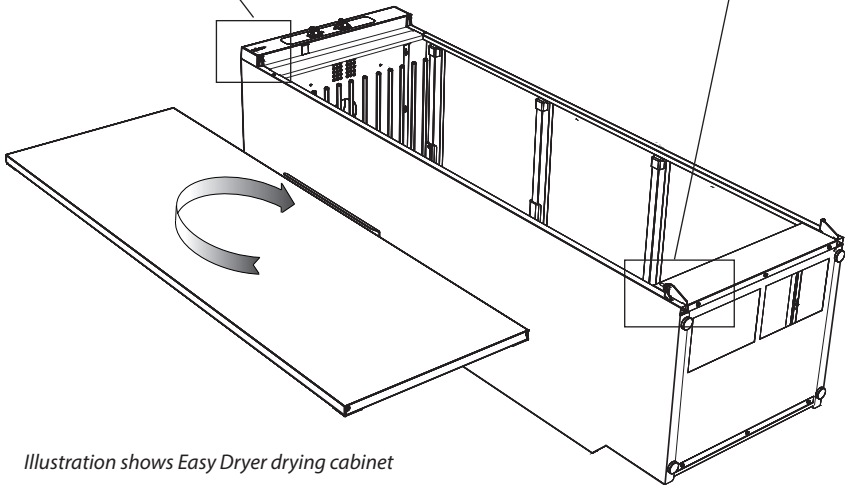
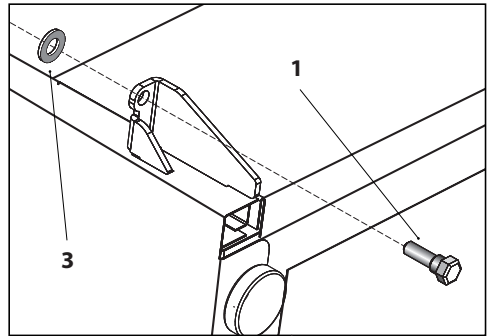
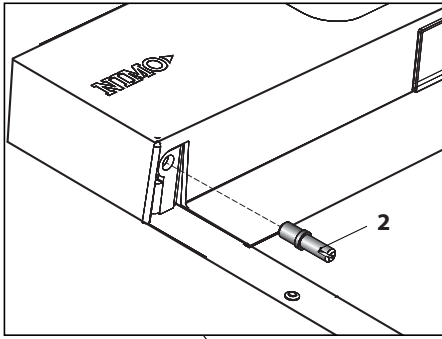


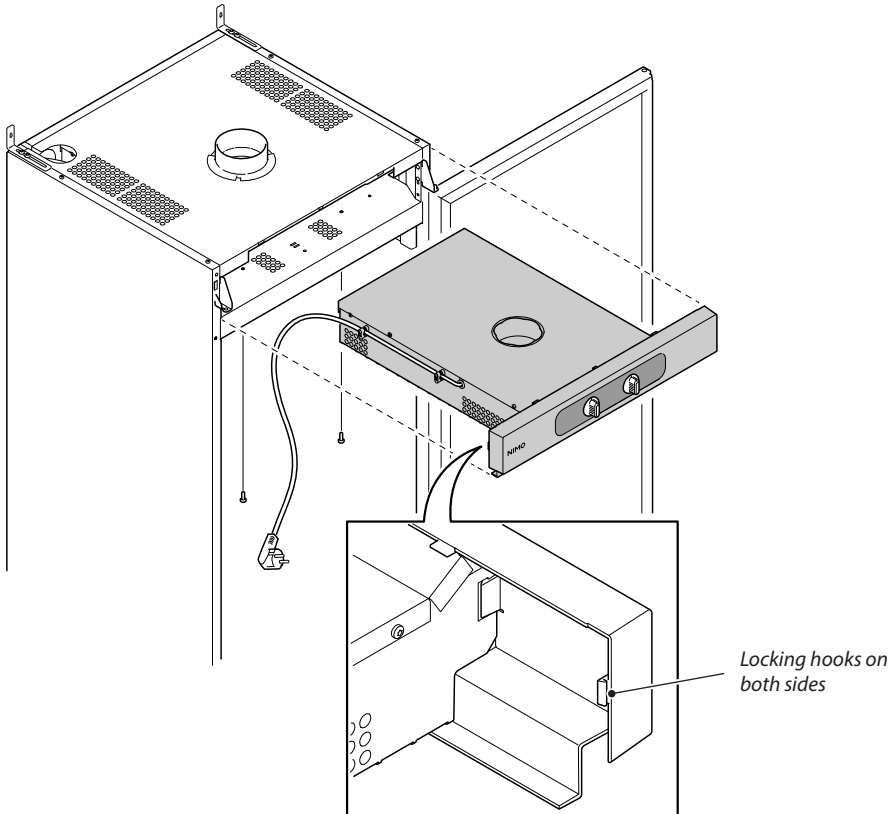
Illustration shows Easy Dryer drying cabinet

6 Fan unit

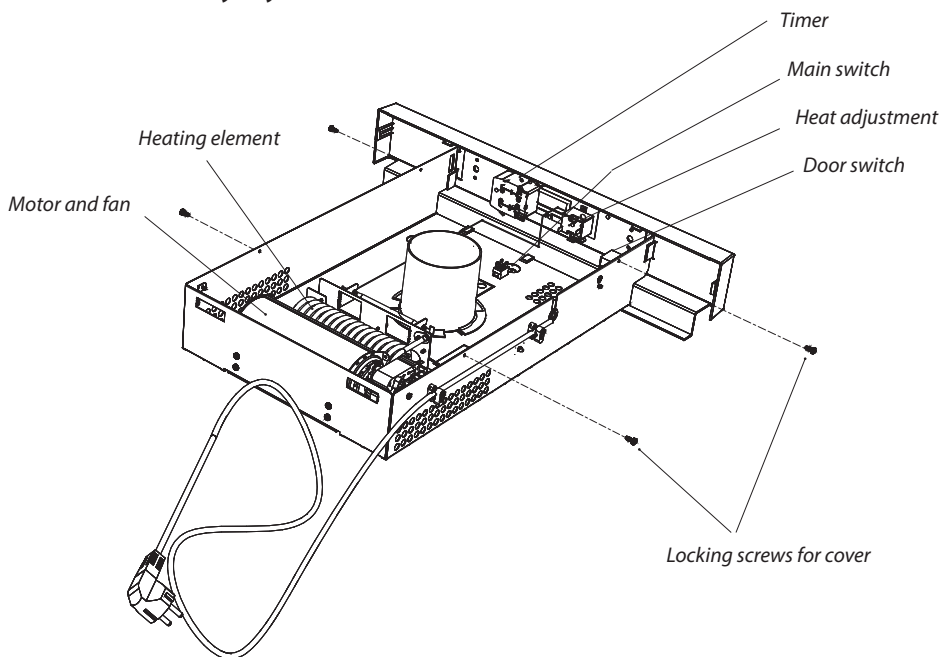
The heating and fan components are combined in the **fan unit** at the top of the drying cabinet.

6.1 Replacement of fan unit






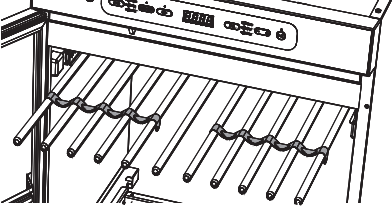
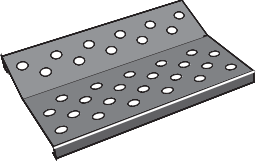
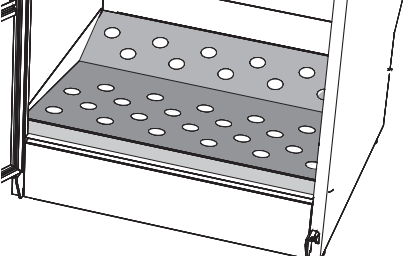

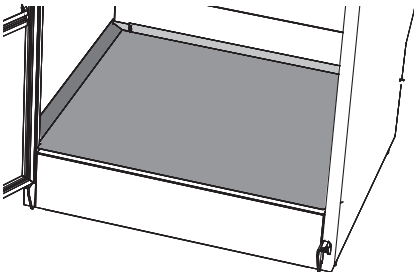
- 1 Disconnect the power supply to the cabinet.
- 2 Open the door and pull out upper hanger section.
- 3 Detach **five lock screws** sitting in the roof of the drying cabinet.
- 4 **Press both sides of the front** so that the hooks are released in the framework as illustrated.
- 5 Pull out the **fan unit**. Allow the power cord to come out as well.



6.2 Fan unit, EasyDryer



7 Accessories

Accessory	Quantity per kit	Location
<p>Door hangers</p> 	<p>2</p>	
<p>Glove hangers</p> 	<p>3 Screw x16</p>	
<p>Clothes hanger rack</p> 	<p>2</p>	
<p>Shoe rack</p> 	<p>1</p>	
<p>Bottom tray</p> 	<p>1</p>	

8 Breakdowns

Overheat cut-out:

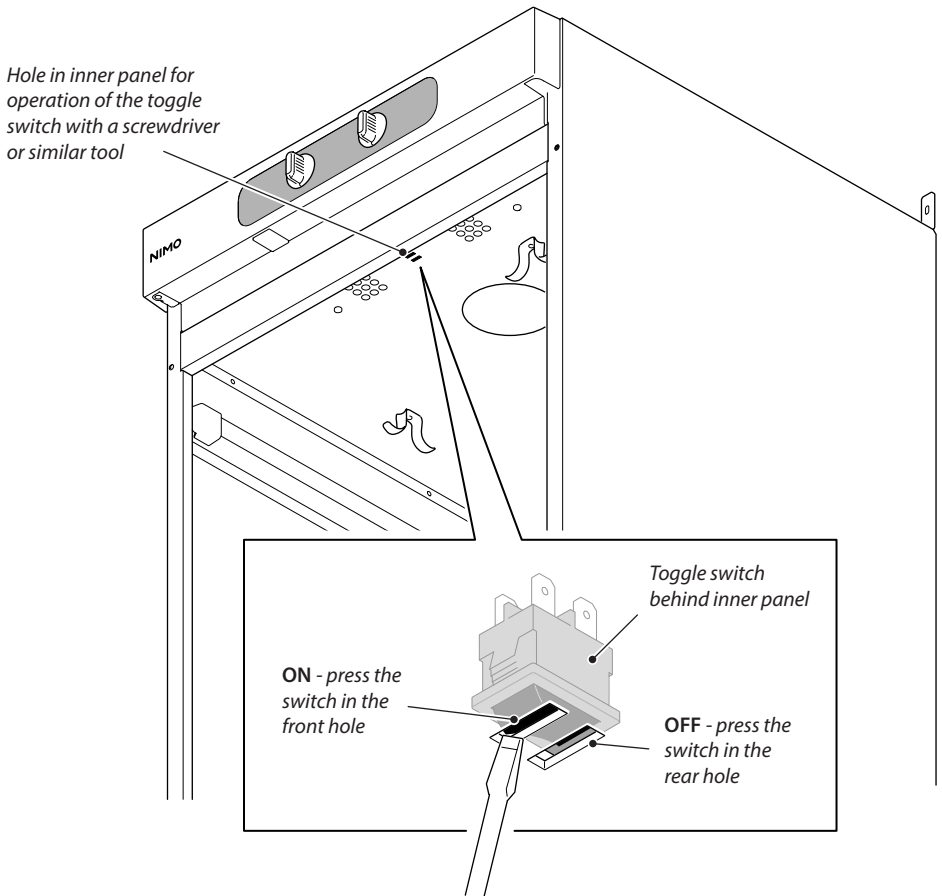
The cabinet is equipped with an overheat cut-out. This trips when the temperature in the fan unit exceeds 120 °C.

Easy Dryer

When the overheat cut-out has tripped, the cabinet is closed and the timer stops for example at 2 hours with the laundry wet. The user can now reset the overheat cut-out by **turning off the power supply with the switch inside the roof of the cabinet**. See illustration.

Alternatively, resetting can be done by turning the timer to zero.

The user has to wait for 10 to 15 minutes so that the overheat cut-out has time to reclose. The power supply to the cabinet is then turned back on using the same switch or by turning the timer back on.

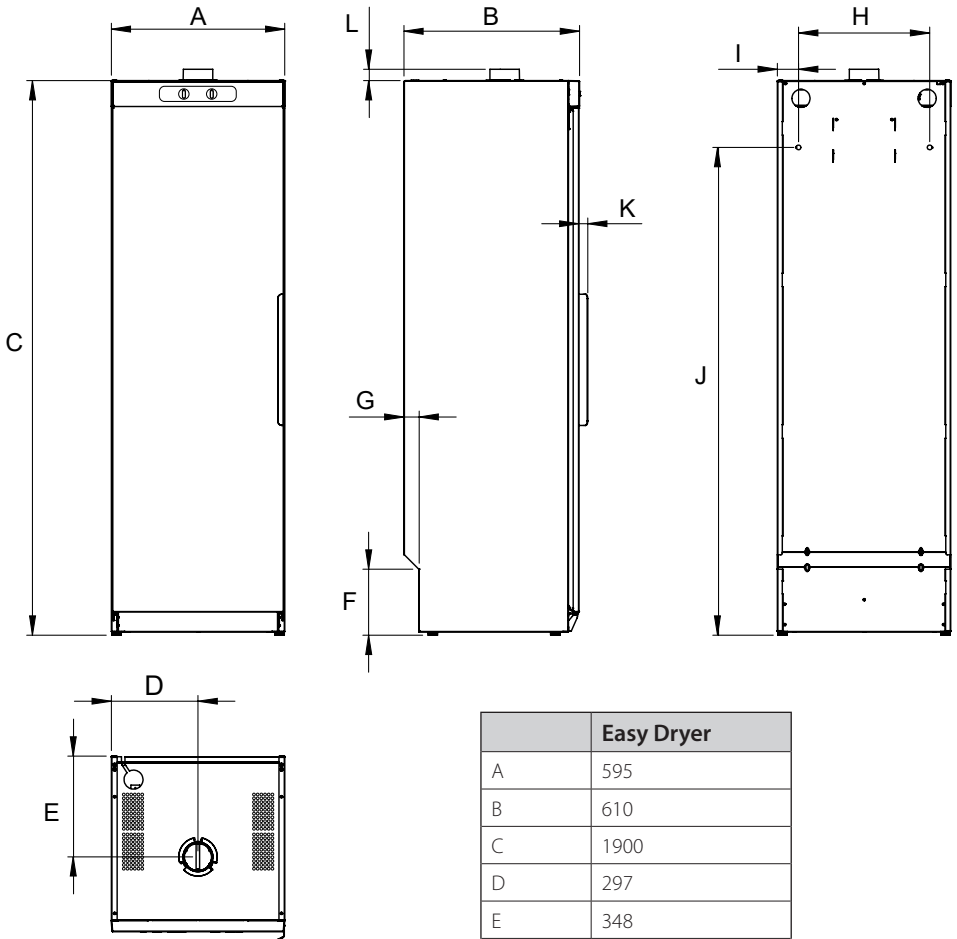


9 Troubleshooting

9.1 Easy Dryer

Questions	Action
The drying cabinet is not working.	<ol style="list-style-type: none">1. Check the mains connection and that power is supplied.2. Check that no fuse has tripped.3. Is the door closed?4. Check the toggle switch (on/off switch) in the roof. See page 21.
Drying takes a long time.	<ol style="list-style-type: none">1. Make sure that the washing is not soaking wet (poorly spun).2. Check that too much laundry has not been hung.
The washing does not become dry.	Check that too much laundry has not been hung.
The door is ajar	Check that the cabinet is level. Check with a spirit level, adjust if necessary with the adjusting feet.

10 Dimensional drawing



	Easy Dryer
A	595
B	610
C	1900
D	297
E	348
F	227
G	52
H	450
I	73
J	1674
K	31
L	39

