

## Operating and installation instructions Heat-pump dryer



**Always** read the operating instructions before assembly, installation and commissioning of the machine. This prevents both personal injury and damage to the machine.

# Contents

---

<b>Caring for the environment</b> .....	<b>7</b>
<b>Warning and Safety instructions</b> .....	<b>8</b>
<b>Operating the tumble dryer</b> .....	<b>20</b>
Fascia panel.....	20
Sensors and touch display with sensors .....	21
Main menu .....	21
Examples of how to operate the appliance .....	22
Operating a launderette machine .....	24
<b>Initial commissioning</b> .....	<b>26</b>
Switch on the tumble dryer .....	26
Reference to external appliances.....	27
Setting the display brightness.....	27
Setting the date .....	27
Selecting programme packages.....	28
Completing the commissioning process .....	29
<b>1. Notes on correct laundry care</b> .....	<b>30</b>
Washing.....	30
Drying.....	30
Understanding the care label symbols.....	30
<b>2. Load the tumble dryer</b> .....	<b>31</b>
Checking the socket for the fragrance flacon .....	31
<b>3. Selecting a programme</b> .....	<b>32</b>
Switch on the tumble dryer .....	32
Selecting a programme .....	32
<b>4. Selecting programme settings</b> .....	<b>33</b>
Main menu for a programme .....	33
Select the drying level.....	33
Selecting the duration (timed programmes) .....	33
Selecting extra options.....	34
Gentle tumble .....	34
Anti-crease .....	34
<b>5. Starting the programme</b> .....	<b>35</b>
<b>6. End of programme – unloading the drum</b> .....	<b>36</b>
End of programme.....	36
Unloading the drum .....	36
Observe any maintenance notes .....	36

<b>Timer</b> .....	<b>37</b>
<b>Programme overview</b> .....	<b>38</b>
Label .....	38
Programme packages .....	39
Standard .....	39
Sport.....	43
Soft furnishings.....	44
Hygiene .....	45
WetCare.....	46
Flatwork .....	46
Special programmes .....	47
<b>Changing the programme sequence</b> .....	<b>48</b>
Changing a programme once it has started .....	48
Cancelling a programme.....	48
Reselecting a cancelled programme.....	48
Adding laundry .....	48
<b>Fragrance flacon</b> .....	<b>49</b>
Inserting a fragrance flacon .....	49
Opening the fragrance flacon .....	51
Closing the fragrance flacon .....	51
Removing/replacing the fragrance flacon.....	52
<b>Cleaning and care</b> .....	<b>53</b>
When to clean.....	53
1. Cleaning the fluff filters .....	53
2. Cleaning the plinth filter .....	54
3. Cleaning the bottom right grille/heat exchanger for heat dissipation .....	55
Cleaning the fluff filters .....	56
Removing the fragrance flacon .....	56
Removing visible fluff .....	56
Cleaning the fluff filters and air flow openings thoroughly .....	57
Filter in the plinth.....	59
Removing the plinth filter .....	59
Cleaning the plinth filter.....	60
Replacing the plinth filter.....	61
Cleaning the filter insert (in the plinth) .....	63
Removing the filter insert .....	63
Check the cooling fins on the heat exchanger.....	64
Refitting the filter insert (in the plinth) .....	65
Refitting the fluff filter in the plinth.....	65
Cleaning and closing the fluff filter flap.....	66

# Contents

---

Cleaning the bottom right grille/heat exchanger .....	66
Removing the grille .....	67
Cleaning the cooling fins .....	68
Replacing the grille .....	68
Cleaning the tumble dryer.....	69
<b>Problem solving guide.....</b>	<b>70</b>
Programme cancellation and fault message in the display .....	70
Messages in the display .....	73
Unsatisfactory drying results.....	74
The drying cycle duration is very long .....	75
General problems with the tumble dryer.....	76
Reactivating the plinth filter.....	77
<b>Service.....</b>	<b>78</b>
Contact in the event of a fault .....	78
Optional accessories .....	78
<b>Installation.....</b>	<b>79</b>
Front view .....	79
Rear view .....	80
Locations .....	81
Side view.....	81
Steel plinth.....	81
View from above .....	81
Washer-dryer stack.....	81
Transporting the tumble dryer to its installation site .....	82
Installation.....	83
Downtime after installation.....	83
Levelling the tumble dryer .....	83
Room ventilation .....	84
External control equipment.....	84
Hose for external drainage of condensed water .....	85
Electrical connection .....	87
<b>Technical data .....</b>	<b>89</b>
EU Conformity declaration.....	90
UK Conformity declaration .....	90
<b>Supervisor level.....</b>	<b>91</b>
Accessing supervisor level.....	91
Access via code .....	91
Change code .....	91
Demo programme .....	91

---

Closing the settings menu .....	91
Controls / Display.....	92
Language .....	92
Language entry.....	92
Set languages .....	93
Display brightness .....	93
Clock display .....	93
Date .....	93
Volume .....	94
Res. moisture display.....	94
Visibility parameters.....	94
Display off status.....	95
Machine off status.....	95
Delay start .....	96
Memory.....	96
Temperature unit.....	96
Weight unit .....	96
Logo .....	96
Supervisor code .....	96
Programme selection.....	97
Controls.....	97
Programme packages.....	98
Favourite programmes .....	98
Special programmes .....	100
Sort programmes.....	101
Prog. colour allocation.....	101
Process technology.....	102
Anti-crease .....	102
Drying levels .....	102
Further cooling .....	102
Cooling down temperature.....	102
Service .....	103
Clean out the airways.....	103
Service interval.....	103

# Contents

---

External applications.....	104
Peak load signal .....	104
Peak load prevention.....	104
COM module selection .....	104
Availability of Miele digital products.....	104
WiFi / LAN .....	105
Network time.....	106
Remote.....	106
Remote Update.....	107
SmartGrid.....	107
Machine parameters.....	108
Legal information .....	108
Payment system.....	109
Setting for payment systems.....	109
F-back signal to pay system.....	109
Payment system lock .....	110
Clear paid signal.....	110
Debounce time.....	110
Pay system override time .....	110
Duration Cool air.....	111
Duration Warm air .....	111
FOC programmes.....	111

### Disposing of the packaging material

The packaging material is used for handling and protects the appliance from transport damage. The packaging material used is selected from materials which are environmentally friendly for disposal and can generally be recycled.

Recycling the packaging material reduces the use of raw materials. Use material-specific collection points for valuable materials and take advantage of return options. Your Miele dealer will take the packaging material away.

### Disposing of your old appliance

Electrical and electronic appliances contain many valuable materials. They also contain certain materials, compounds and components which were essential for their correct functioning and safety. These could be hazardous to human health and to the environment if disposed of with household waste or if handled incorrectly. Please do not, therefore, dispose of your old appliance with household waste.

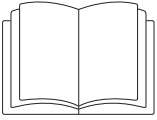


Instead, please make use of officially designated collection and disposal points to dispose of and recycle electrical and electronic appliances in your local community, with your dealer or with Miele, free of charge. By law, you are solely responsible for deleting any personal data from the old appliance prior to disposal. You are legally obliged to remove any old batteries which are not securely enclosed by the appliance and to remove any lamps without des-

trouing them, where this is possible. These must be taken to a suitable collection point where they can be handed in free of charge. Please ensure that your old appliance poses no risk to children while being stored for disposal.

## Warning and Safety instructions

---



► It is essential to read these instructions.

This tumble dryer complies with all current local and national safety requirements. However, inappropriate use can lead to personal injury and damage to property.

Read the operating instructions carefully before using the tumble dryer. They contain important information on safety, installation, use and maintenance. This prevents both personal injury and damage to the tumble dryer.

In accordance with standard IEC 60335-1, Miele expressly and strongly advises that you read and follow the instructions in the chapter on installing the tumble dryer as well as the safety instructions and warnings.

Miele cannot be held liable for damage caused by non-compliance with these instructions.

Keep these operating instructions in a safe place and pass them on to any future owner.

When instructing other people how to use the tumble dryer, they must be made aware of these safety and warning instructions.



### Correct application

- ▶ This tumble dryer is only intended for drying fabrics which have been washed in a water solution, and marked on the manufacturer's care label as being suitable for tumble drying. "Dry cleaning kits" for freshening up garments in a tumble dryer are increasingly available on the market. If using, do so at your own risk, and follow the instructions provided on the packaging. Any other applications may be dangerous. Miele cannot be held liable for damage resulting from incorrect or improper use or operation.
- ▶ This tumble dryer may also be operated in public areas.
- ▶ The tumble dryer is not intended for outdoor use.
- ▶ This appliance can only be used by people with reduced physical, sensory or mental capabilities, or lack of experience or knowledge, if they are supervised whilst using it or have been shown how to use it in a safe way and understand and recognise the consequences of incorrect operation.
- ▶ Children under 8 years of age must be kept away from the tumble dryer unless they are constantly supervised.
- ▶ Children 8 years and older may only use the tumble dryer unsupervised if they have been shown how to use it safely and recognise and understand the consequences of incorrect operation.
- ▶ Children must not be allowed to clean or maintain the tumble dryer unsupervised.
- ▶ Please supervise children in the vicinity of the tumble dryer and do not let them play with it.

# Warning and Safety instructions

---

## Technical safety

- ▶ Before setting up the tumble dryer, check it for any externally visible damage.  
Do not install or use a damaged tumble dryer.
- ▶ Do not make any alterations to the tumble dryer, unless authorised to do so by Miele.
- ▶ Temporary or permanent operation on an autonomous power supply system or a power supply system that is not synchronised with the mains power supply (e.g. island networks, back-up systems) is possible. A prerequisite for operation is that the power supply system complies with the specifications of EN 50160 or an equivalent standard.  
The function and operation of the protective measures provided in the domestic electrical installation and in this Miele product must also be maintained in isolated operation or in operation that is not synchronised with the mains power supply, or these measures must be replaced by equivalent measures in the installation. As described, for example, in the current version of BS OHSAS 18001–2 ISO 45001.
- ▶ Do not connect the tumble dryer to the mains electricity supply by an extension lead. Extension leads are a fire hazard and do not guarantee the required safety of the tumble dryer.
- ▶ If the electrical connection cable is faulty it must always be replaced by a Miele authorised service technician to protect the user from danger.
- ▶ The electrical safety of this tumble dryer can only be guaranteed when correctly earthed. It is essential that this standard safety requirement is met. If in any doubt, please have the on-site wiring system inspected by a qualified electrician. Miele cannot be held liable for the consequences of an inadequate earthing system (e.g. electric shock).

## Warning and Safety instructions

---

- ▶ Unauthorised repairs could result in unforeseen dangers for the user, for which Miele cannot accept liability. Repairs should only be undertaken by a Miele approved service technician, otherwise any subsequent damage will not be covered by the warranty. Ensure current is not supplied to the tumble dryer until after maintenance or repair work has been carried out.
- ▶ Faulty components must only be replaced by genuine Miele original spare parts. The manufacturer can only guarantee the safety of the appliance when Miele replacement parts are used.
- ▶ To ensure the correct performance of the tumble dryer and to prevent the risk of faults and fire, it is important to carry out maintenance on a regular basis.
- ▶ In the event of a fault or for cleaning purposes, the tumble dryer is only completely isolated from the electricity supply when:
  - it is switched off at the wall socket or the plug is withdrawn, or
  - it is switched off at the mains, or the mains fuse is disconnected
  - the screw-out fuse is removed (in countries where this is applicable), or it is switched off at the isolator switch.

See “Installation - Electrical connection”.

- ▶ This appliance must not be used in a non-stationary location (e.g. on a ship).
- ▶ See “Installation” and “Technical data”.
- ▶ The accessibility of the plug must be always ensured, in order to separate the tumble dryer from the mains. All electrical work should be carried out only by a suitably qualified and competent person, in strict accordance with national and local safety regulations.
- ▶ If the appliance is hard wired, adequate provision must be made on site to switch off all poles to disconnect the tumble dryer from the electrical supply.
- ▶ Do not block the gap between the bottom of the tumble dryer and the floor with plinth facings, deep pile carpet etc. This would hinder a sufficient flow of air to the dryer.

## Warning and Safety instructions

---

- ▶ Do not install a lockable door, a sliding door or a door which is hinged in the opposite direction to the dryer door.
- ▶ This tumble dryer is supplied with a special lamp to cope with particular conditions (e.g. relating to temperature, moisture, chemical resistance, abrasion resistance and vibration). This special lamp must only be used for the purpose for which it is intended. It is not suitable for room lighting. Replacement lamps may only be fitted by a Miele authorised person or by Miele Service.
- ▶ Information on the heat pump and refrigerant
  - This tumble dryer uses refrigerant gas which is not flammable and not explosive.
  - The humming noises caused by the heat pump during the drying process are normal. They do not impair the efficient functioning of the tumble dryer.

 Damage to the tumble dryer by switching it on too soon.

This can damage the heat pump.

After setting up the tumble dryer, wait for at least one hour before switching it on.

- This tumble dryer contains fluorinated greenhouse gases (F-Gas). They are hermetically sealed.  
Designation of refrigerant: R134a  
Amount of refrigerant: 0.61 kg  
Global warming potential of refrigerant: 1430 kg CO<sub>2</sub> e  
Global warming potential of appliance: 872 kg CO<sub>2</sub> e

### Correct use

▶ The maximum load for this tumble dryer is 8 kg (dry weight). The maximum recommended loads for individual programmes are given in the Programme chart.

▶ Do not lean on the door. Otherwise, the tumble dryer may tip over, causing injury to yourself or others.

▶ Always close the door after use. This way you will avoid the danger of:

- children climbing onto or into the dryer or hiding things in it.
- pets or other small animals climbing into it.

▶ Do not use a pressure washer or hose to clean the tumble dryer.

▶ Keep the room where the tumble dryer is located free from dust and fluff. If the air that is taken into the machine contains dirt particles, this can cause blockages. A fault may then occur and there is a risk of fire.

▶ The tumble dryer must not be used:

- without the fluff filters in place or without the filter in the plinth.
- without the bottom right grille fitted.
- if the fluff filters or the filter in the plinth are damaged in any way. In case of damage, the fluff filters and plinth filter must be replaced immediately.

A damaged filter would cause an excessive build-up of fluff which in turn would cause a tumble dryer fault.

## Warning and Safety instructions

---

- ▶ To ensure problem-free operation of the tumble dryer:
  - Remove the fluff from the fluff filter surfaces after every drying cycle.
  - In addition, the fluff filters, filter surfaces, the grille at the bottom right and the air passages must be cleaned when prompted by the display.
- ▶ Do not install the tumble dryer in a room where there is a risk of frost occurring. At temperatures around freezing point the tumble dryer may not be able to operate properly. There is a risk of damage if the condensed water is allowed to freeze in the pump or hoses. The ambient room temperature should be between 2°C and 35°C.
- ▶ If the water is drained externally through the drain hose instead of being collected in the condensed water container, make sure the drain hose is securely attached if you hang it in a sink or basin to avoid the hose slipping and the water causing damage.
- ▶ Condensed water is not drinking water. It can cause health problems in both people and animals if consumed.

## Warning and Safety instructions

---

▶ To prevent the risk of fire, the following textiles must not be dried in this tumble dryer:

- items which have not been washed.
- Items, such as workwear, which have not been thoroughly cleaned and which are still soiled with grease, oil or other deposits (such as cosmetics, lotions etc). If items have not been thoroughly cleaned there is a danger that these might ignite when heated, even after they have been removed from the dryer at the end of the programme.
- Items that have been soiled with substances such as acetone, petrol, kerosene, stain removers, turpentine, waxes, wax removers and other chemicals (e.g. mops and floor cloths) should be washed in hot water with extra detergent before being dried in the tumble dryer.
- Items which have been splashed with hair lacquer, hair spray, nail varnish remover or similar substances.

When washing very heavily soiled items ensure that you use sufficient detergent and select a high temperature. If in doubt wash several times before drying.

▶ Remove all items from pockets (e.g. lighters, matches).

▶ In many programmes, the heating phase is followed by a cooling down phase to ensure that the items are not too hot to handle when you remove them (this also avoids the danger of the laundry self-igniting). The programme is not finished until the cooling down phase is complete. Ensure that you always wait until the end of the programme before removing the laundry.

## Warning and Safety instructions

---

► Fire hazard.

This tumble dryer must not be connected to a controllable socket (e.g. a timer or a peak-load switch-off device).

The tumble dryer may only be operated with a peak-load device if this is connected to the tumble dryer via the Miele XCI box and the relevant settings have been configured on the tumble dryer.

There is a risk of the laundry igniting itself if the drying programme is cancelled before the cooling phase has finished.

► To prevent the risk of fire, the following textiles must not be dried in this tumble dryer:

- items which have been cleaned using chemicals (e.g. professional dry-cleaning agents).
- fabrics which contain a large proportion of rubber, foam rubber or rubber-like materials. For example, products made from latex foam rubber, shower caps, waterproof textiles, rubberised articles and items of clothing and pillows with foam rubber filling.
- Fabrics which contain damaged padding or fillings (e.g. pillows, jackets). When damaged, the filling can get out with the risk of it igniting in the dryer.

► The programme ends when the cooling phase starts. Many programmes are followed by the cooling phase to ensure that the items are not too hot to handle when you remove them (this also reduces the risk of the laundry self-igniting).

Always remove all laundry as soon as the programme has finished.



## Warning and Safety instructions

---

- ▶ Fabric conditioner and similar products must be used according to the instructions on the manufacturer's packaging.
- ▶ Benzine, petrol, paraffin, or any easily flammable liquid must not be stored or used near the machine. Danger of explosion.
- ▶ Do not expose the dryer to air which is contaminated with vapour of chlorine, fluorine or other solvents. Danger of fire.
- ▶ For tumble dryers with stainless steel surfaces:  
The stainless steel surfaces must not come into contact with liquid cleaning and disinfecting agents which contain chlorine or sodium hypochlorite. These agents can have a corrosive effect on stainless steel.  
Aggressive vapours containing chlorine can also be corrosive.  
Do not store containers of these agents near the tumble dryer.

## Warning and Safety instructions


---

### Using a fragrance flacon (optional accessory)

- ▶ Only ever use original Miele fragrance flacons.
- ▶ The fragrance flacon must be stored in its packaging so please make sure you retain this.
- ▶ Make sure that you always keep the fragrance flacon or the fluff filter with the flacon inserted in it in a horizontal position when carrying, and do not tip or place it down on any surface. The fragrance can leak out of the flacon.
- ▶ Use an absorbent cloth to wipe up any fragrance which has leaked out of the flacon onto the floor, the dryer or any dryer components (e.g. the fluff filter) immediately.
- ▶ If fragrance which has leaked out of a flacon: comes into contact with the **skin** - wash the skin thoroughly with soap and water; comes in contact with the **eyes** - rinse the eyes with clean water for at least 15 minutes; is swallowed - rinse out the **mouth** thoroughly with clean water. Seek medical advice in the case of contact with the eyes or if fragrance has been swallowed.
- ▶ If fragrance which has leaked out of a flacon comes in contact with clothing, change the clothing immediately. Wash the clothing or any cloths used for mopping up fragrance thoroughly with plenty of water and detergent.
- ▶ There is the risk of fire or damage to the tumble dryer if the following instructions are not observed:
  - Never refill a flacon with fragrance.
  - Never use a faulty fragrance flacon.
- ▶ Dispose of an empty fragrance flacon with the household waste and never use it for any other purpose.
- ▶ Please also observe the information supplied with the fragrance flacon.

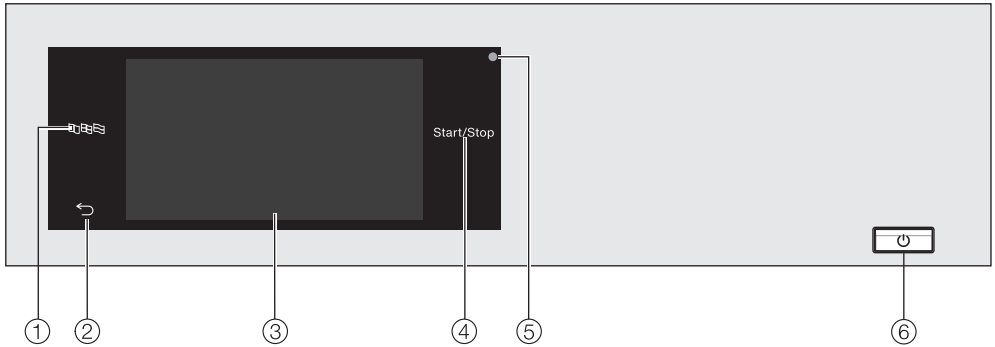
### Accessories

- ▶ Only use genuine Miele original spare parts and accessories with this appliance. If spare parts or accessories from other manufacturers are used, this will invalidate the guarantee, and Miele cannot accept liability.
- ▶ The tumble dryer can also be combined with a Miele washing machine in a washer-dryer stack (stacked machines cannot go on a plinth). The appropriate “APCL” stacking kit (available to order) to match your dryer is required.
- ▶ Make sure that you order the correct plinth for this tumble dryer (available from Miele as an optional accessory).

 Miele cannot be held liable for damage caused by non-compliance with these Warning and Safety instructions.

# Operating the tumble dryer

## Fascia panel



① **Language sensor**

For selecting the current user language. The operating language is displayed again at the end of the programme.

② **Back sensor** ↶

For going back one level in the menu.

③ **Touch display**

④ **Sensor *Start/Stop***

For starting the selected drying programme and cancelling a programme once it has started. The programme selected can be started as soon as the sensor starts flashing.



⑤ **Optical interface**

For service technicians.

⑥ **Button ①**

For switching the tumble dryer on and off. The tumble dryer switches off automatically to save energy. This occurs 15 minutes after the end of the programme/anti-crease phase, or after being switched on if no further selection is made.

## Sensors and touch display with sensors


The sensors ,  and *Start/Stop* and the sensors in the display respond to finger tip contact. Every touch of a sensor is confirmed with an audible tone. You can adjust the volume of the keypad tone or switch it off (see information in “Supervisor level”).

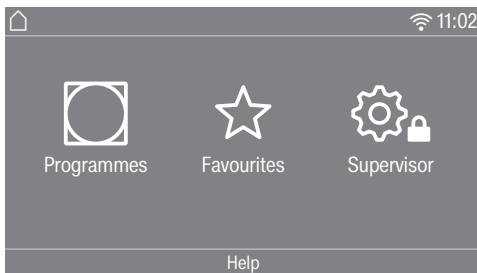
The control panel with sensors and the touch display can be scratched by pointed or sharp objects, e.g. pens.  
Only touch the display with your fingers.

## Main menu

After switching on the tumble dryer, the main menu will appear in the display.

You can access all the important sub-menus from the main menu.

Touch the  sensor at any time to return to the main menu. Values set previously are not saved.



## Programmes

For selecting drying programmes.


## Favourites

For selecting one of 12 favourite drying programmes, which can be set up and saved by the supervisor (see “Favourite programmes” in the “Supervisor level” chapter).

## Supervisor

You can alter the tumble dryer electronics to suit changing requirements in the supervisor level (see “Supervisor level”).

## Networking

If the tumble dryer is networked, the  symbol indicates the signal strength of the network (SSID) to which it is connected. Touch the symbol to display the name of the network.

## Help

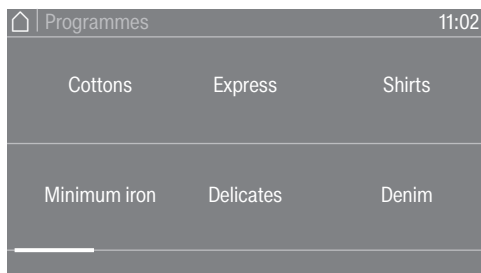
You can display help to assist you with the operation of the tumble dryer.

# Operating the tumble dryer

## Examples of how to operate the appliance

### Option lists

#### Programme menu (single option list)



You can scroll to the right or the left by swiping your finger across the screen. To do this, place your finger on the touch display and swipe it in the direction you want.

The orange bar under the pictures shows that there are further options to choose from.

Touch a programme name to select the drying programme.

The display will change to the standard menu for that programme.

#### Extras menu (multiple choice)



Touch one or several *Extras* to select it/them.

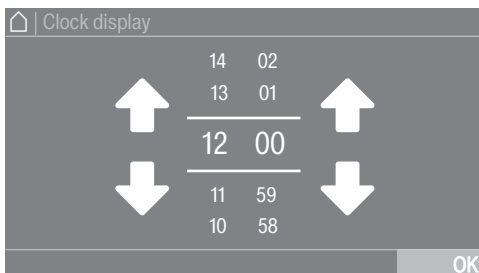
Currently selected *Extras* are marked orange.

To deselect an *Extra* simply touch the *Extra* again.

Use the OK sensor to activate all selected *Extras*.

### Setting numerical values

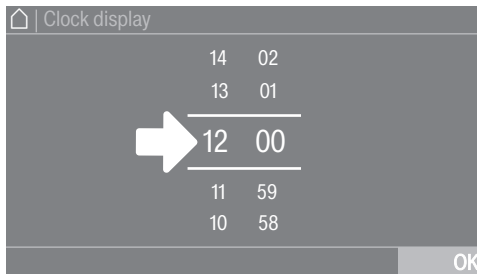
You can set numerical values in some menus.



Enter the numbers by swiping upwards or downwards. Place your finger on the number that you want to change and move your finger in the direction you want. Use the OK sensor to accept all set figures.

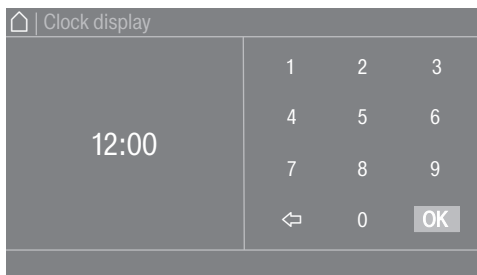
# Operating the tumble dryer

**Tip:** For some settings, depending on the value range and increments, the value can also be set using a numerical keypad. Briefly touching a number will bring up the numerical keypad. Once a valid number has been entered, the OK sensor will be highlighted green.



- Briefly touch a number between the two lines.

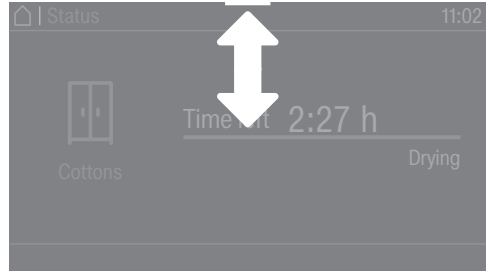
The numerical keypad will appear.



- Touch the numbers and confirm with OK.

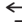
## Pull-down menu

The pull-down menu can be used to display information, e.g. about a drying programme.



If an orange bar appears at the top of the screen in the middle of the display, you can open the pull-down menu. Touch the bar and drag down with your finger.

## Exiting a menu

- Touch the  sensor to return to the previous screen.

Entries made before this which have not been confirmed with OK will not be saved.

## Help display

With some menus, Help appears along the bottom line of the display.

- Touch the Help sensor to display the text.
- Touch the Close sensor to return to the previous screen.

# Operating the tumble dryer

## Operating a launderette machine

The entry menu will vary depending on the programming status (see “Controls” under “Supervisor level”).

Shortcuts are the easiest way to operate the machine. Operating staff are unable to change pre-set programmes.

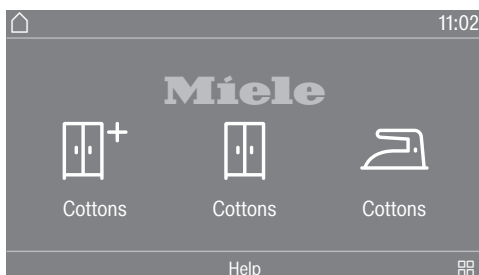
### Laundrette, basic




A maximum of 12 and a minimum of 4 programmes can be selected.

Depending on the setting at Supervisor level, the programmes can be displayed with or without a border.







### Laundrette Logo



The first 3 programmes can be selected directly. Up to 9 more programmes can be selected from the list .

### Symbols in the display

#### Drying levels

-  Extra dry
-  Normal plus
-  Normal
-  Hand iron plus
-  Hand iron
-  Machine iron



## Laundrette Logo int. time / Laundrette Logo ext. time

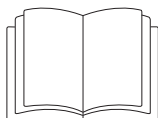


4 time programmes with different temperature levels are available for selection.

- 🌡️🕒 Temperature level cold
- 🌡️🕒 Temperature level low
- 🌡️🕒 Temperature level medium
- 🌡️🕒 Temperature level high

Laundrette Logo ext. time: the tumble dryer only functions correctly when it is provided with external time information by an external unit.

# Initial commissioning



**⚠** Risk of injury or damage to property due to improper installation. Incorrect installation of the tumble dryer can lead to personal injury or damage to property.

Before commissioning the tumble dryer for the first time, make sure it has been installed and connected correctly. See “Installation”.

**⚠** Damage caused by switching the appliance on too soon.

This can damage the heat pump in the tumble dryer.

After setting up the tumble dryer, wait for at least one hour before switching it on.

Follow all the steps required for initial commissioning. During the commissioning process, you will need to define the settings for daily use of the tumble dryer. Some of the settings can only be configured during the initial commissioning process. After that, they must be changed by Miele Service.

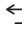
These settings are also described under “Supervisor level”.

## Switch on the tumble dryer

- Press the  control.

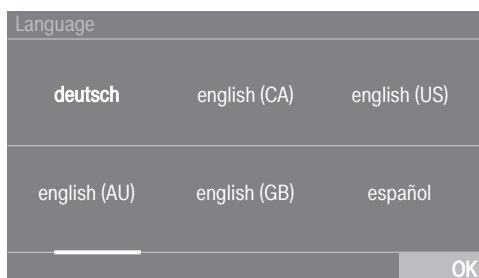
The welcome screen will light up.

**Tip:** During initial commissioning, you can go back to the previous screen if you need to correct an entry you have already made.

- Touch the  sensor control to return to the previous screen.

## Setting the language

You will be asked to select the language you require for the display. You can change the language at any time (see “Language” under “Supervisor level”).



- Scroll to the left or the right until the language you want appears.
- Touch the sensor for the language you want.

The selected language will be highlighted in orange and the display will change to the next setting.

## Reference to external appliances

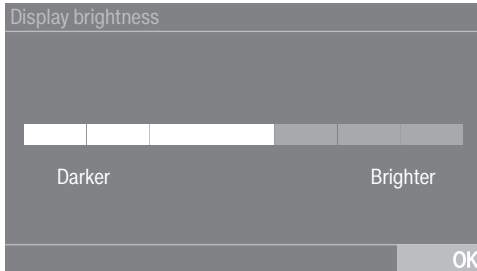
A reference to external hardware appears.

- Confirm with the OK sensor control.

Connect the XCI box or XCI-AD accessory unit before using the appliance for the first time. Alternatively, slide a communication module into the slot on the back of the tumble dryer. The tumble dryer must be disconnected from the mains for this process. Then start the commissioning process.

## Setting the display brightness

You will be asked to select the brightness of the display.



- Touch the segment bars until you reach the required level of brightness.

The selected brightness level will be highlighted orange.

- Confirm with OK.

The display will change to the next setting.

## Setting the date

Date		
21	May	2026
22	June	2025
23	July	2024
24	August	2023
25	September	2022
OK		

- Place your finger on the value that you want to change and move your finger in the direction you want.
- Once all values have been selected, confirm with the OK sensor.

The display will change to the next setting.

# Initial commissioning

## Confirming the time request

The following question appears in the display:

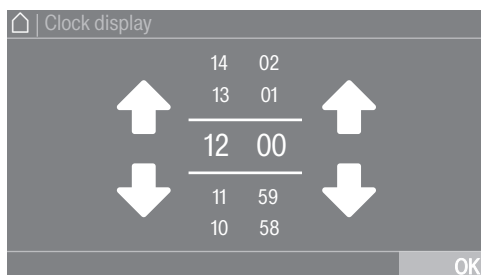
Should the time of day display not be shown?

- Touch the Yes or No sensor control.

If you select Yes, the system will skip the Clock display setting.

If you select No, the display will switch to the Clock display setting.

## Setting the time of day



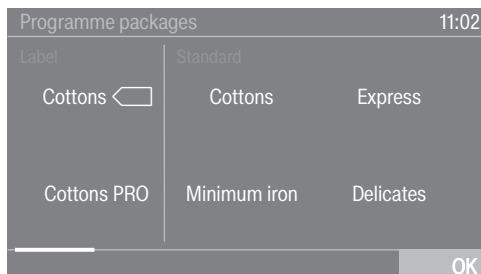
- Place your finger on the number that you want to change and move your finger in the direction you want.
- Confirm with the OK sensor.

The display will change to the next setting.

## Selecting programme packages

You can select various programmes from the programme packages.

Any programmes already active are marked in orange.



- Scroll right until you reach a programme that is not marked in orange.
- Touch the sensor for the required programme.

The selected programme is marked in orange; this means that the programme is active.

- You can select further programmes.

**Tip:** You can disable a selected programme by touching the programme's sensor again.

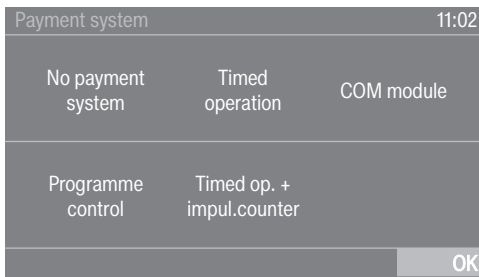
- If you do not want to select any more programmes, confirm with OK.

The display will change to the next setting.

## Setting up a payment system

If you wish to set up a payment system, read the “Payment system” section of the “Supervisor level” chapter. These settings can only be changed during the initial commissioning process. If you wish to change the settings after the commissioning process, please contact Miele Service.

If you do not wish to set up a payment system, you can skip this stage.




- Touch the No payment system sensor.

The display will change to the next setting.

## Completing the commissioning process

To complete the commissioning process, you must run the Commissioning programme through to the end.

The programme takes 20 minutes to complete and must run with an empty drum.

If the mains supply is interrupted (or the appliance is shut down by pressing  before or during the Commissioning programme, commissioning will be cancelled. If this happens, the initial commissioning process must be repeated.

- Confirm with the OK sensor control.



- Touch the flashing *Start/Stop* sensor control.
- Once the programme has finished, switch the tumble dryer off briefly and then switch it back on again.


Commissioning is complete and the tumble dryer is ready for drying.

# 1. Notes on correct laundry care

## Washing


- Heavily soiled laundry must be washed particularly thoroughly. Use sufficient detergent and select a high temperature. If in doubt, wash the items several times.
- New, coloured items must be washed thoroughly and separately. Do not dry these items with light coloured garments. There is the risk of colours running and discolouring other garments or even plastic components in the tumble dryer. Dark coloured fluff can also settle on light coloured garments and vice versa.

## Drying

 Damage due to foreign objects which were not removed from the laundry.

Foreign objects can melt, burn, or explode.

Ensure that any foreign objects, e.g. detergent dispensing balls, lighters, etc., have been removed from the laundry.

 Risk of fire due to incorrect use and operation.

The laundry can burn and destroy the tumble dryer and the surroundings. See the section on “Warning and safety” for further information.

- Check seams and stitching to ensure that the items are intact. This way you will avoid the danger of fillings coming out and causing a fire.
- Sew in or remove underwiring from bras.

## Understanding the care label symbols

### Drying



Normal/higher temperature\*



Low temperature\*

\* In this tumble dryer, items with these symbols can be dried together thanks to the gentle drying process.



Do not tumble dry

### Ironing



Very hot



Hot



Warm

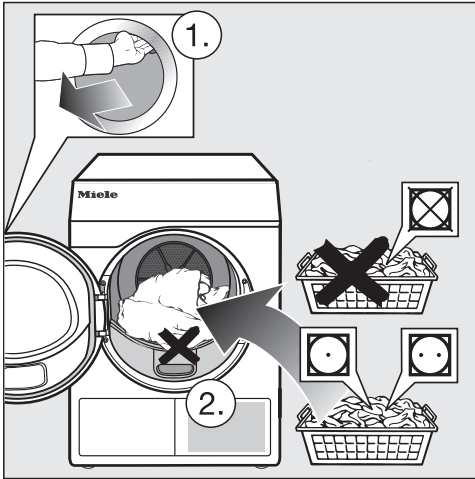


Do not iron

## 2. Load the tumble dryer

### Loading the laundry

Preventing textile damage.  
Before loading, read chapter “1. Notes on correct laundry care.”



- Open the door.
- Load the laundry.

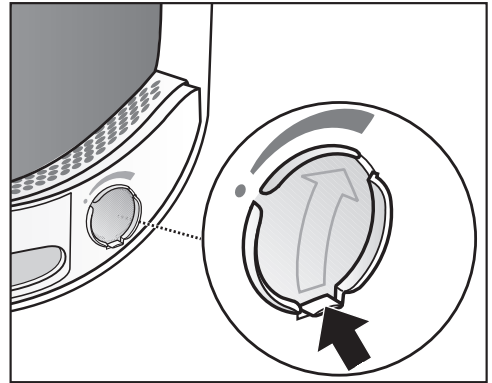
Preventing textile damage.  
When closing the door, make sure that laundry does not get trapped in the door opening.

Do not overload the drum. Overloading can cause unnecessary wear and tear to the laundry and cause a disappointing drying result. It can also cause more creasing.

### Checking the socket for the fragrance flacon

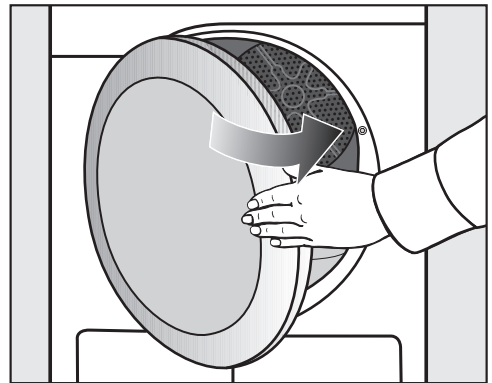
If you are not using a fragrance flacon, check that the socket is closed.

The “Fragrance flacon” chapter describes how to use the fragrance flacon.



- Push the tab down completely (see arrow) so that the socket is closed. Otherwise, fluff will accumulate here.

### Closing the door



- Shut the door with a gentle swing.

### 3. Selecting a programme

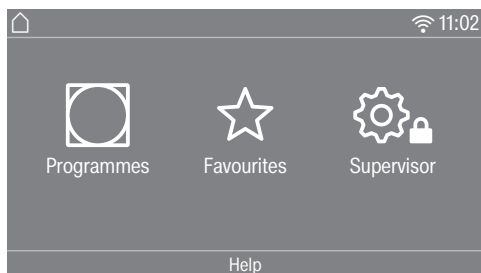
#### Switch on the tumble dryer

- Press the  control.

The drum lighting will come on.

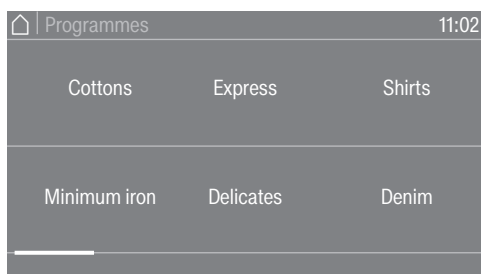
The drum lighting will automatically go out after a few minutes and/or after the start of a programme to save energy.

#### Selecting a programme




There are different ways to select a programme.

- Touch the  Programmes sensor.



- Scroll to the right in the display until the programme you want appears.
- Touch the sensor for that programme.

The display will change to the standard menu for that drying programme.

Alternatively, you can select a programme via:  Favourites\*.

\* The preset programmes under Favourites cannot be changed.

- Touch the  Favourites sensor control.

The programmes will appear in the display. Symbols representing the preset parameters (drying level, extra options or times) are displayed underneath the names of the programmes.



- Scroll to the right in the display until the programme you want appears.
- Touch the sensor control for that programme.

The display will change to the standard menu for that drying programme.

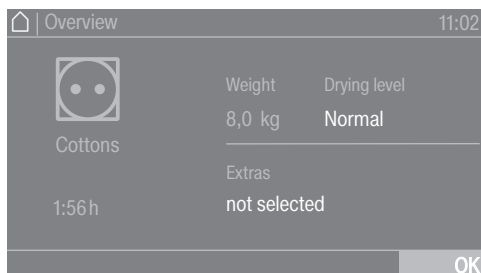


## 4. Selecting programme settings

### Main menu for a programme

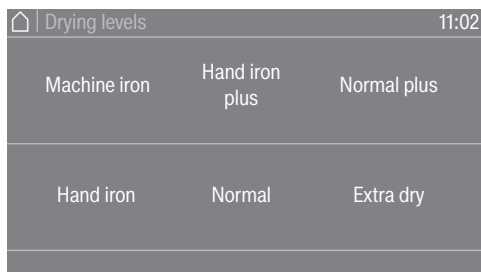
#### Select the drying level

With many programmes, you can change the preset drying level. Depending on the programme, you can select different drying levels.



- Touch the Drying level sensor.

The drying level selection menu opens.



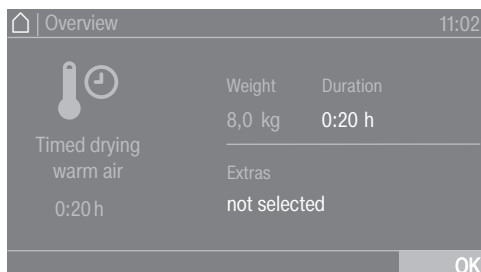
- Touch the sensor for the drying level you want.

### Selecting the duration (timed programmes)

You can select the programme duration yourself.\*

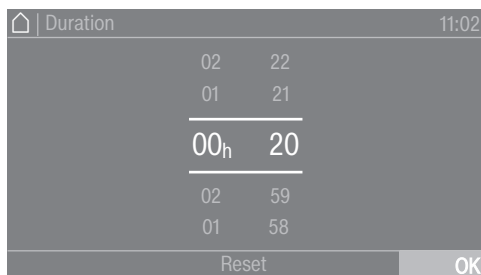
\* The time frame for the selected programme duration can be limited by Miele Service.

- Timed drying warm air = 0:20–2:00 hours
- Timed drying cool air = 0:10–2:00 hours
- Basket programme/Basket -Low temperature = 0:20–1:30 hours
- Timed drying hygiene = 0:50–2:00 hours



- Touch the Duration sensor.

The duration setting menu opens.

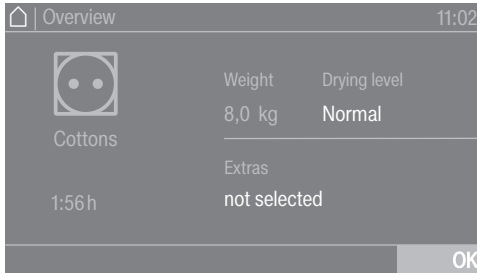


- Select a duration.
- Only press OK when the extra appears on the display.

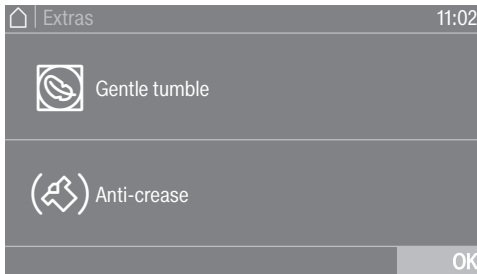
## 4. Selecting programme settings

### Selecting extra options


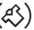
The drying programmes can be augmented with various extra options.



- Touch the Extras sensor.



- Touch the sensor for the extra you require.
- Only press OK when the extra appears on the display.

The relevant symbol for the required extra  or  lights up.

Not all extras can be selected with every programme, only those programmes for which it makes sense.

### Gentle tumble

Sensitive items are dried with less mechanical movement (fewer drum rotations).

### Anti-crease

After the programme has finished, the drum will continue to rotate in a certain rhythm, depending on the selected programme. This helps to prevent creasing after the programme has ended.

The anti-crease function is switched off as the factory default setting. It can be switched on in the supervisor level with a variable duration of up to 12 hours.

## 5. Starting the programme

---

### Payment systems

**Tip:** If your machine is connected to a payment system, the amount of payment required will appear in the display.

Once the programme has started, do not open the door or cancel the programme.  
Depending on the settings, money may be lost in the payment system.

### Starting the programme

The programme can be started as soon as the *Start/Stop* sensor is flashing on and off.

■ Touch the *Start/Stop* sensor.

If a delay start period has been selected, this will appear in the display.

Once the delay start period has elapsed (if applied), the programme duration will appear in the display; otherwise, the duration will appear straight away. The programme sequence is also shown in the display.

**Tip:** In the pull-down menu, you can view the selected drying level or duration and the selected extras.

### Programme duration/Estimated time remaining

The programme duration depends on the quantity of laundry, the type of fabric and the residual moisture in the laundry or also the water hardness. The running time for drying level programmes can therefore vary or “jump”. The tumble dryer's electronic control system adapts to these factors and then adjusts the displayed programme duration with increasing accuracy.

## 6. End of programme – unloading the drum

### End of programme

The laundry will be cooled down shortly before the end of the programme. The laundry can be unloaded.

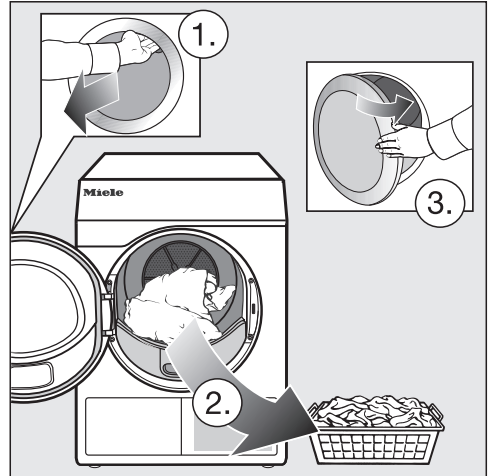
- Finish lights up

If *Anti-crease* (🌀)\* was selected, the drum will rotate in intervals. This minimises creasing if the laundry cannot be removed from the machine immediately.

\* The anti-crease function is deactivated as standard.

The tumble dryer will switch off automatically 15 minutes after the end of a programme.

### Unloading the drum



- Open the door.
- Remove everything from the drum.

Items left in the tumble dryer could be damaged by overdrying when the tumble dryer is used the next time. Always remove all items from the drum.

- Switch the tumble dryer off.

### Observe any maintenance notes


This tumble dryer requires regular maintenance, particularly if it is used on a continuous basis.

**Tip:** Please see “Cleaning and care” for details. Read the “Cleaning the appliance at the correct intervals” section first.

The Delay start must be activated in the Supervisor level so that the timer can be selected.



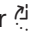
Before the programme starts, the Timer can be used to select a programme start time or programme end time.

## Setting the timer

- Touch the  timer sensor.
- Select the option Finish at, Start in or Start at.
- Set the hours and the minutes with the OK sensor.


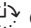
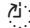
## Changing the timer

The selected delay start time period can be changed before the programme start.

- Touch the ,  or  sensor.
- If required, change the specified time and confirm with the OK sensor.

## Deleting the timer

The selected delay start period can be cancelled before the programme starts.

- Touch the ,  or  sensor.

The selected delay start period will appear in the display.

- Touch the Delete sensor.
- Confirm with the OK sensor.

The selected delay start period is deleted.

## Starting the timer

- Touch the *Start/Stop* sensor.

The door will lock and the time until the programme starts will appear in the display.

After the programme has started, the selected delay start period can only be changed by interrupting the programme.



The programme can be started immediately at any time.

- Touch the Start immediately sensor.

# Programme overview

All weights marked with \* are based on the weight of dry laundry.


## Label

<b>Cottons Eco</b> 		<b>Max. load 8 kg*</b>
Items	Cotton items such as those described under <i>Cottons Normal</i> with normal residual moisture.	
Note	<ul style="list-style-type: none"> <li>- Items are dried to a <i>Normal</i> level only in this programme.</li> <li>- The <i>Cottons</i>  programme is the most energy-efficient for drying cotton items with normal residual moisture levels.</li> </ul>	
Note for test institutes	Test programme in accordance with Regulation 392/2012/EU, measured in accordance with EN 61121.	
<b>Cottons PRO</b>		<b>Max. load 8 kg*</b>
Items	Cotton items such as those described under <i>Cottons Normal</i> with normal residual moisture.	
Note	Items are dried to a <i>Normal</i> level only in this programme.	

## Programme packages

You can select various programmes from the programme packages. The programmes will appear in the programme list.

## Standard

<b>Cottons</b>		<b>Max. load 8 kg*</b>
<b>Extra dry, Normal plus, Normal</b>		
Items	<ul style="list-style-type: none"> <li>- Single and multi-layered cotton items.</li> <li>- Towelling, T-shirts, underwear, jersey bed linen, baby clothes.</li> <li>- Workwear, jackets, cotton blankets, aprons, tea towels, bed linen, towels, overalls, boil-proof table linen.</li> </ul>	
Note	<ul style="list-style-type: none"> <li>- Select <i>Extra dry</i> for multi-layered and very thick fabrics.</li> <li>- Do not use <i>Extra dry</i> for jersey fabrics (e.g. T-shirts, underwear, baby clothes) because they can shrink.</li> </ul>	
<b>Hand iron plus, Hand iron, Machine iron</b>		
Items	<ul style="list-style-type: none"> <li>- Cotton and linen fabric.</li> <li>- Table linen, bed linen, starched laundry.</li> </ul>	
Tip	To prevent laundry from drying out, it should be rolled up until you are ready for ironing.	
<b>Minimum iron</b>		<b>Max. load 4 kg*</b>
<b>Normal plus, Normal, Hand iron</b>		
Items	<ul style="list-style-type: none"> <li>- Minimum iron fabrics made of synthetic, cotton or mixed fibre.</li> <li>- Workwear, overalls, tops, dresses, trousers, table linen, tights.</li> </ul>	
Note	 is automatically selected.	

## Programme overview

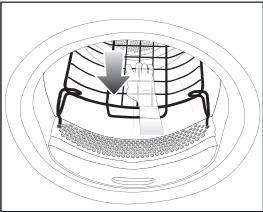
<b>Express</b>		<b>Max. load 4 kg*</b>
<b>Extra dry, Normal plus, Normal, Hand iron plus, Hand iron, Machine iron</b>		
Items	Garments suitable for the <i>Cottons</i> programme	
Note	Shorter programme duration	
<b>Delicates</b>		<b>Max. load 4 kg*</b>
<b>Normal plus, Normal, Hand iron plus</b>		
Use for	<ul style="list-style-type: none"> <li>- Delicate synthetic, cotton or mixed fibre fabrics.</li> <li>- Lightweight pullovers, dresses, trousers, overalls, table cloths, shirts and blouses.</li> <li>- Lingerie and appliquéd fabrics.</li> </ul>	
Note	Less creasing occurs in this programme.	
Tip	Reducing the load will reduce creasing even further.	
<b>Shirts</b>		<b>Max. load 2 kg*</b>
<b>Normal, Hand iron plus</b>		
Use for	Shirts and blouses.	
<b>Denim</b>		<b>Max. load 3.5 kg*</b>
<b>Normal, Hand iron plus</b>		
Use for	Denim garments, e.g. jeans, jackets, skirts, shirts.	
<b>Woollens</b>		<b>Max. load 2 kg*</b>
Items	Woollen garments and fabric containing wool blends, e.g. pullovers, cardigans, tights.	
Note	<ul style="list-style-type: none"> <li>- Wool and wool blend items are only fluffed up for a short time; they are not dried completely.</li> <li>- Remove garments as soon as the programme has finished and leave to finish drying at room temperature.</li> </ul>	



## Programme overview

<b>Silks</b>		<b>Max. load 1 kg*</b>
Use for	Silk garments which are suitable for tumble drying, e.g. blouses and shirts	
Note	<ul style="list-style-type: none"> <li>- Programme for reduced creasing.</li> <li>- Items are not dried completely in this programme.</li> <li>- Remove the garments as soon as the programme has finished.</li> </ul>	
<b>Towelling</b>		<b>Max. load 8 kg*</b>
Use for	Large quantities of single-layered and multi-layered towelling items. These include, for example, towels, bath robes, face flannels, flannel bed linen.	
Note	Items are dried to a <i>Normal plus</i> level only in this programme.	
<b>Gentle smoothing</b>		<b>Max. load 1 kg*</b>
<b>Normal, Hand iron plus</b>		
Items	<ul style="list-style-type: none"> <li>- Cotton and linen fabric.</li> <li>- Minimum iron items made of cotton, synthetic or mixed fibre, e.g. trousers, jackets, shirts.</li> </ul>	
Note	<ul style="list-style-type: none"> <li>- Smooths out creasing caused during the spin cycle in the washing machine.</li> <li>- The items are not dried fully. Remove garments as soon as the programme has finished and leave to finish drying at room temperature.</li> <li>- Also suitable for smoothing dry laundry in a set duration.</li> </ul>	
<b>Automatic plus</b>		<b>Max. load 5 kg*</b>
<b>Normal plus, Normal, Hand iron plus</b>		
Use for	Mixed loads of garments suitable for the <i>Cottons</i> and <i>Minimum iron</i> programmes.	
<b>Microfibre</b>		<b>Max. load 7 kg*</b>
<b>Normal plus, Normal</b>		
Use for	Microfibre mops and cleaning cloths.	

# Programme overview

<b>Timed drying – warm air</b>		<b>Max. load 8 kg*</b>
Items	<ul style="list-style-type: none"> <li>- Jackets, pillows, sleeping bags and other padded items.</li> <li>- Multi-layered textiles such as thick cotton tablecloths.</li> <li>- Individual items, e.g. bath towels, swimwear and tea-towels.</li> </ul>	
Note	<ul style="list-style-type: none"> <li>- For finishing off multi-layered fabrics or padded garments that have dried unevenly.</li> <li>- For drying a few items or individual garments.</li> <li>- Do not select the longest drying time to start with. Check the items as you are drying them to find the optimum time.</li> </ul>	
<b>Timed drying – cool air</b>		<b>Max. load 8 kg*</b>
Items	Any item which only needs airing.	
<b>Basket programme</b>		<b>Basket load 3.5 kg</b>
<b>Basket programme, Low temperature</b>		<b>Basket load 3.5 kg</b>
Fabrics/ items	<ul style="list-style-type: none"> <li>- You must follow the operating instructions for the dryer basket.</li> <li>- These programmes must only be used to dry or air items which are suitable for drying in a tumble dryer but which are not suitable for drying using mechanical action.</li> </ul>	
Note	<ul style="list-style-type: none"> <li>- These programmes may only be used with the Miele dryer basket (optional accessory).</li> <li>- Select <i>Basket Low temperature</i> for temperature-sensitive items.</li> <li>- The dryer drum does not turn.</li> <li>- A satisfactory drying result cannot be achieved without the dryer basket.</li> <li>- You must follow the operating instructions for the dryer basket.</li> </ul>	
		

## Sport

<b>Sportswear</b>		<b>Max. load 3 kg*</b>
Use for	Sportswear that is suitable for drying in a tumble dryer.	
Note	Items are dried to a <i>Normal</i> level only in this programme.	
<b>Outerwear</b>		<b>Max. load 2.5 kg*</b>
<b>Normal, Hand iron plus</b>		
Use for	Outerwear which is suitable for tumble drying.	
<b>Proofing</b>		<b>Max. load 2.5 kg*</b>
Textiles	Microfibre fabrics, skiwear, outdoor wear, fine, close-weave cotton garments (poplin), and table linen which are suitable for drying in a tumble dryer.	
Note	<ul style="list-style-type: none"> <li>- This programme includes an additional proofing fixing phase.</li> <li>- Only use proofing agents that are stated by the manufacturer as being “suitable for use on membrane textiles”. These agents contain fluorochemical compounds.</li> <li>- Do not dry items which have been treated with proofing agents containing paraffin. This substance is a fire risk.</li> <li>- Items are dried to a <i>Normal</i> level only in this programme.</li> </ul>	
<b>Reactivation</b>		<b>Max. load 2.5 kg*</b>
Items	Outerwear which is suitable for tumble drying.	
Note	<ul style="list-style-type: none"> <li>- The drying process revitalises the fibres, which improves the water-repelling effect.</li> <li>- Items are dried to a <i>Normal</i> level only.</li> </ul>	

# Programme overview

---

## Soft furnishings

<b>Down bedding</b>		<b>Max. load 2 kg*</b>
Use for	Bedding suitable for tumble drying (duvets or pillows filled with down or feathers).	
Note	Items are dried to a <i>Normal</i> level only in this programme.	
Tip	Feathers have a tendency of developing a strong odour when they are warm. Allow bedding to air outside the tumble dryer after tumble drying.	
<b>Synthetic bedding</b>		<b>Max. load 2 kg*</b>
Items	Bedding suitable for drying in a tumble dryer (duvets or pillows with synthetic fillings).	
Note	Items are dried to a <i>Normal</i> level only in this programme.	
<b>Large items</b>		<b>Max. load 4 kg*</b>
<b>Normal plus, Normal, Hand iron, Machine iron</b>		
Use for	Robust, larger items for the <i>Cottons</i> programme. These include, for example, blankets, multi-layered covers, large voluminous items.	

## Hygiene

In the hygiene programmes, items will be dried with a temperature that is constant over an extended period (longer temperature holding time). This kills off micro-organisms such as germs or dust mites and reduces allergens in the laundry.

If a hygiene programme is cancelled early, micro-organisms will not be killed. Do not cancel this programme.

<b>Cottons hygiene</b>		<b>Max. load 4 kg*</b>
Use for	Cotton or linen items that come into direct contact with the skin. These include, for example, underwear, baby clothes, hand towels, bath towels, bathrobes, spa towels and flannels.	
Note	Items are dried to a <i>Normal</i> level only in this programme.	
<b>Minimum iron hygiene</b>		<b>Max. load 4 kg*</b>
Use for	<ul style="list-style-type: none"> <li>- Minimum iron fabrics made of synthetic, cotton or mixed fibre.</li> <li>- Workwear, overalls, pullovers, dresses, trousers, table linen, tights.</li> </ul>	
Note	Items are dried to a <i>Normal</i> level only in this programme.	
<b>Timed drying hygiene</b>		<b>Max. load 4 kg*</b>
Items	<ul style="list-style-type: none"> <li>- Jackets, pillows, sleeping bags and other padded items.</li> <li>- Multi-layered textiles such as thick cotton tablecloths.</li> <li>- Individual items, e.g. bath towels, swimwear and tea-towels.</li> </ul>	
Note	<ul style="list-style-type: none"> <li>- For finishing off multi-layered fabrics or padded garments that have dried unevenly.</li> <li>- For drying a few items or individual garments.</li> <li>- Do not select the longest drying time to start with. Check the items as you are drying them to find the optimum time.</li> </ul>	

# Programme overview

## WetCare

<b>WetCare Sensitive</b>		<b>Max. load 2.5 kg*</b>
Items	Non-washable outerwear	
Note	The garment is briefly dried and fluffed up	
<b>WetCare Silks</b>		<b>Max. load 2.5 kg*</b>
<b>Normal, Hand iron plus, Hand iron</b>		
Items	Non-washable silk garments which crease easily	
<b>WetCare Intensive</b>		<b>Max. load 2.5 kg*</b>
<b>Normal, Hand iron, Hand iron plus, Machine iron</b>		
Use for	Washable outerwear	

## Flatwork

<b>Cottons 40 % residual moisture</b>		<b>Max. load 8 kg*</b>
<b>Cottons 25 % residual moisture</b>		<b>Max. load 8 kg*</b>
<b>Minimum iron 20 % residual moisture</b>		<b>Max. load 4 kg*</b>
Items	<ul style="list-style-type: none"> <li>- Hotel, care home or hospital laundry that requires further processing (hand ironing, machine ironing, folding).</li> <li>- This includes cottons/coloureds and minimum iron fabrics, such as bedding and table linen or towels.</li> </ul>	
Note	<ul style="list-style-type: none"> <li>- The residual moisture is absorbed by the fabric fibres, which makes them easier to smooth.</li> <li>- These programmes only dry to <i>Machine iron</i>.</li> </ul>	
Tip	<ul style="list-style-type: none"> <li>- To prevent laundry from drying out, it should be rolled up until you are ready for ironing.</li> <li>- Shake the laundry before ironing.</li> </ul>	

## Special programmes

You can put together five special programmes and assign your own programme names. Enter these into the tables.

Load: maximum 8 kg (weight of dry items)

Example

[Special programme 1] <b>Dry+</b>	
<b>Res. moisture programme</b>	
- Final residual moisture :	- 6 %
- Extra drying time :	30 min
- Temperature :	60 °C

(1)
-
-
-
-
-
-
-

(2)
-
-
-
-
-
-
-

(3)
-
-
-
-
-
-
-

(4)
-
-
-
-
-
-
-

(5)
-
-
-
-
-
-
-

# Changing the programme sequence


## Payment systems

Opening the door or cancelling the programme after it has started may cause a loss of credit (depending on how the tumble dryer was set up\*).

\* Either during the commissioning process or subsequently, a Miele service technician can reset the payment system so that programming changes can be made.

## Changing a programme once it has started

You cannot change to another programme once a programme has started (this prevents unintentional alterations). You will need to cancel the current programme before you can select a new one.

 Risk of fire due to incorrect use and operation.  
The laundry can burn and destroy the tumble dryer and the surroundings. See the section on “Warning and safety” for further information.

## Cancelling a programme

- Touch the *Start/Stop* sensor control.

A message will appear in the display asking if you wish to cancel the programme.


- Touch the *Yes* sensor control.

## Reselecting a cancelled programme

- Open and close the door.
- Select and start a new programme.


## Adding laundry

- Open the door.

 Risk of burns by touching hot laundry in the drum.  
You could burn yourself.  
Let the laundry cool down and remove it carefully.

- Add items.
- Close the door.
- Start the programme.

## Interruption to the power supply

If the power supply is interrupted because the tumble dryer has been switched off with the button :

- Switch the tumble dryer on.
- Touch the *Start/Stop* sensor control.

If the power supply is interrupted by a power cut:

- When power is restored, confirm with *OK*.
- Touch the *Start/Stop* sensor control.


## Time remaining

Altering the programme sequence can cause adjustments in the h min time remaining display.



## Inserting a fragrance flacon

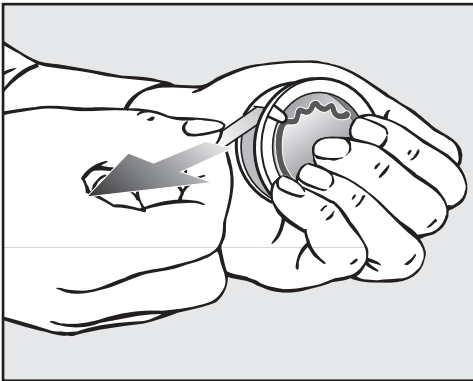
Fragrance flacons (optional accessories) can be used to give your laundry a pleasant scent.

 Risk of fire and damage to the health if fragrance flacons are used incorrectly.

The leaked fragrance can damage your health if it comes into contact with your body. Leaked fragrance can cause fire.

Before using a fragrance flacon, please read “Using a fragrance flacon (optional accessory)” under the “Warning and safety instructions”

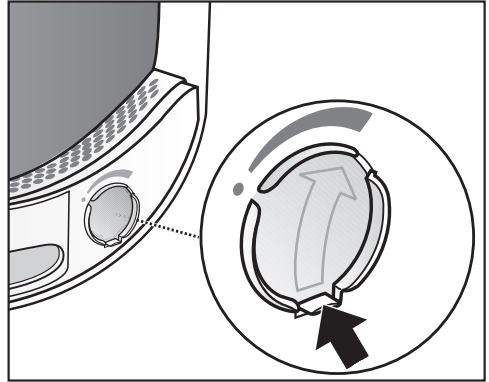
Only hold the fragrance flacon as illustrated. Do not hold it at an angle or tip it as the fragrance will leak out of it.



- Hold the fragrance flacon securely so that you do not open it by mistake.
- Pull off the protective seal.
- Open the door of the tumble dryer.

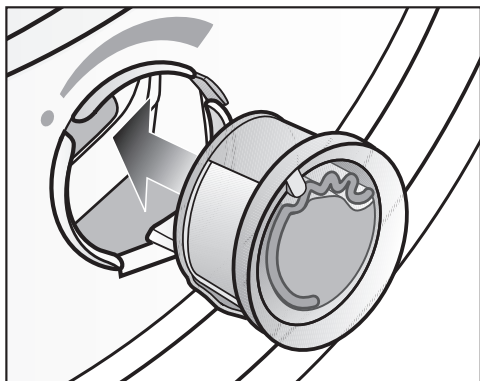
The fragrance flacon is inserted in the upper fluff filter. The socket is next to the recessed grip.

If you are not using a fragrance flacon, the cover to the unused socket must remain closed to prevent the build-up of fluff. Push the tab on the cover to the bottom (see arrow).

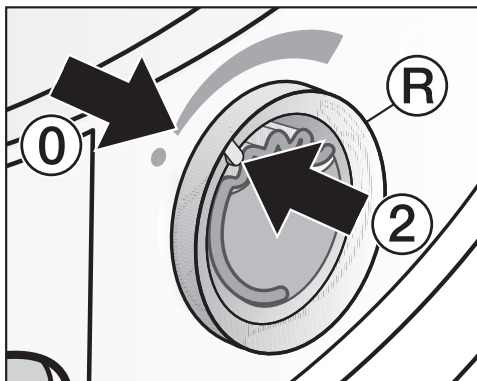


- Open the cover using the tab until the tab is right at the top.

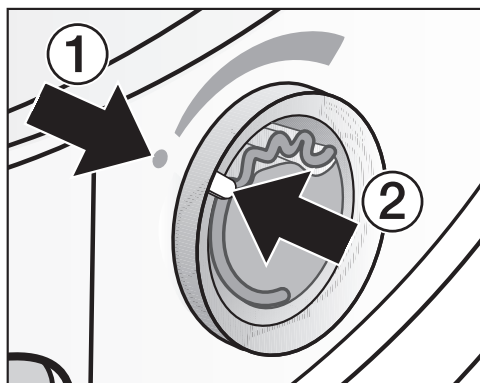
## Fragrance flacon



- Insert the fragrance flacon as far it will go into the socket.



- Turn the outer ring **®** clockwise a little.

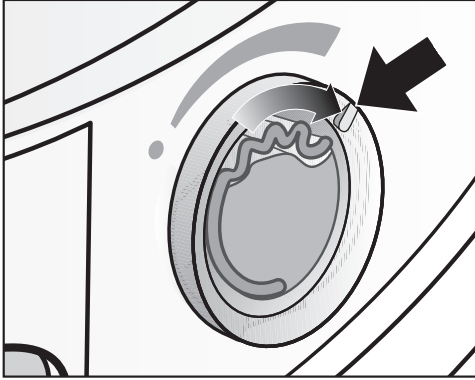


The markers ① and ② must line up with one another.

The fragrance flacon may slip out.  
Turn the outer ring in such a way that  
the markers ② and ① line up.

## Opening the fragrance flacon

Before drying, you can select the intensity of the fragrance.

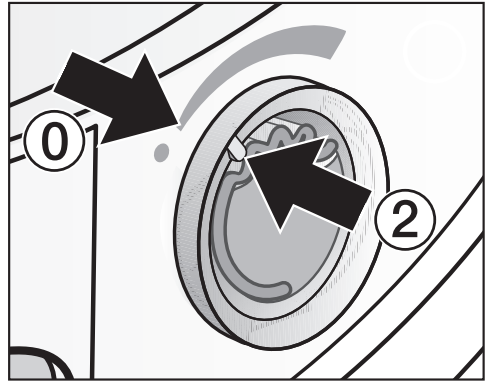


- Turn the outer ring clockwise: the further you open the fragrance flacon, the more intense the fragrance.

Damp laundry and longer drying durations with sufficient heat transfer are needed for the fragrance to be released into the laundry effectively. The fragrance will also be noticeable in the ambient air during the process. The *Timed drying cold air* programme will not generally apply fragrance.

## Closing the fragrance flacon

After drying, the fragrance flacon should be closed to prevent the fragrance from escaping needlessly.



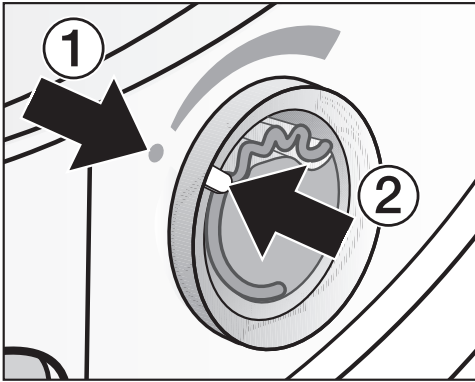
- Turn the outer ring anti-clockwise until the marker ② is in position ①.

If you wish to dry without the fragrance occasionally: remove the fragrance flacon and store it in its original packaging.

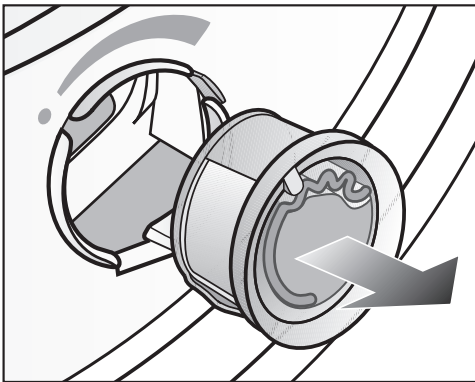
Replace the fragrance flacon with a new one when the intensity of the fragrance is no longer sufficient.

# Fragrance flacon

## Removing/replacing the fragrance flacon



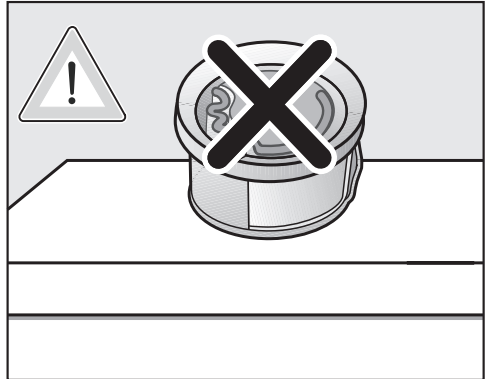
- Turn the outer ring anti-clockwise until the markers ① and ② line up.



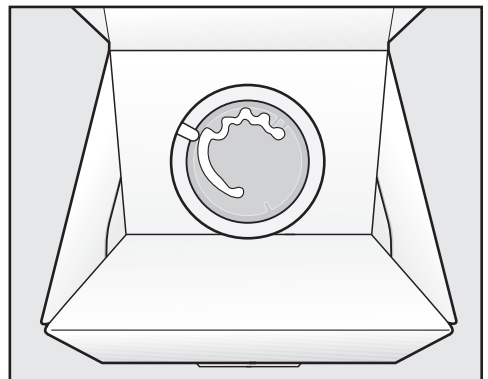
- Replace the fragrance flacon with a new one.

When not in use, you can store the fragrance flacon in its original packaging.

Fragrance flacons are available to order from Miele or online.



The fragrance can leak out of the flacon. Do not lay the fragrance flacon down.



- If you are keeping the fragrance flacon in its original packaging, do not store the packaging upright on its edge or upside down. Otherwise, the fragrance will leak out.
- Always store in a cool, dry place away from direct sunlight.
- When purchasing new fragrance flacons, only remove the protective seal just before use.

## When to clean

This tumble dryer is equipped with a multi-stage filter system, which consists of a fluff filter (1.) and a filter in the plinth (2.).

This filter system collects all fluff generated during the drying process.

Failure to clean the filter regularly could increase drying times.



Fire hazard due to irregular maintenance.

Too many fluff deposits in the filter system and tumble dryer will result in a risk of fire.

Check the filter system and air supply area on a regular basis. Clean the filter if you find any fluff deposits.



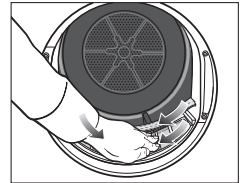
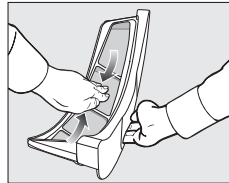
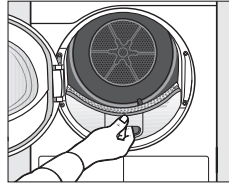
Damage caused by a missing or damaged filter system.

Too many fluff deposits in the filter system and tumble dryer will result in a risk of appliance malfunctions and a risk of fire.

Never use the tumble dryer without the filter system. Always replace a damaged filter system immediately.

## 1. Cleaning the fluff filters

The fluff filters are located in the drum loading area.



Always clean the appliance whenever prompted to do so in the display. Various messages can be displayed:

Clean the fluff filter and rinse the plinth filter.

Rinse the fluff filter and the plinth filter.

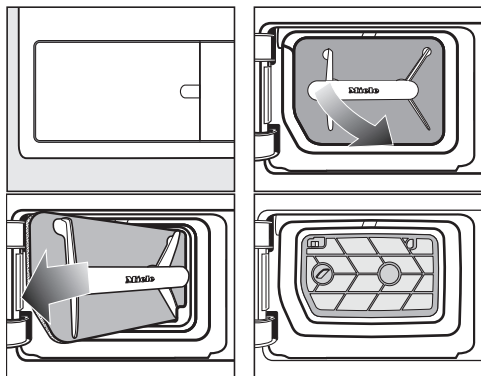
Check the airways.

- To delete the message: touch the OK sensor control.

# Cleaning and care

## 2. Cleaning the plinth filter

The filter in the plinth is behind the fluff filter flap on the bottom left.



### Normal use

Always clean the appliance whenever prompted to do so in the display. Various messages can be displayed:

Clean the fluff filter and rinse the plinth filter.

Rinse the fluff filter and the plinth filter.

Check the airways.


### Continuous operation

Clean once a day and also when the prompt appears in the display.

### Cleaning the filter insert in the plinth

The filter insert is visible in the plinth after removing the fluff filter. Clean the filter insert as well.

- To delete the message: touch the OK sensor control.

 Damage caused by insufficient cleaning or by operation with a worn, damaged filter in the plinth.

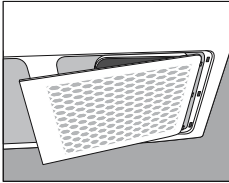
There is insufficient flow of air and heat in the heat exchanger due to clogging. This requires a visit from the Service department.

This can be avoided by following the advice in these operating instructions.

### 3. Cleaning the bottom right grille/ heat exchanger for heat dissipation

Clean only when Open bottom right grille, clean the heat exchanger appears in the display.

The bottom right grille can be removed. This covers the heat exchanger for heat dissipation.



- Keep the room where the tumble dryer is located free from dust and fluff. Doing so will mean that you will rarely have to clean the grille.
- See “Bottom right grille/heat exchanger”.
- Check and clean the filter (in the plinth) and the fluff filters.
- To delete the message: touch the OK sensor control.

# Cleaning and care

## Cleaning the fluff filters

This tumble dryer has 2 fluff filters in the loading area. The upper and lower fluff filters trap fluff produced during the drying process.

### Removing the fragrance flacon

The intensity of the fragrance will be diminished if the fluff filters and the plinth filter are not cleaned.

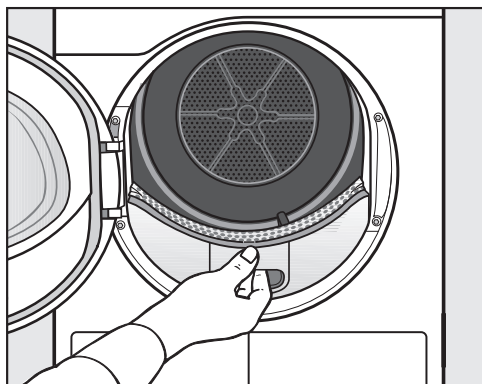
- Remove the fragrance flacon as described in “Removing/replacing the fragrance flacon” under “Fragrance flacons”.

### Removing visible fluff

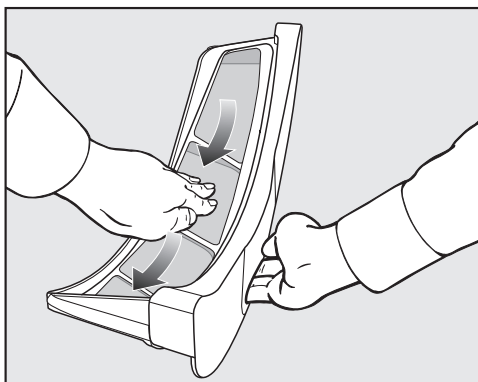
Remove any fluff after every drying cycle.

**Tip:** You can also use a vacuum cleaner so that you can remove the fluff without touching it.

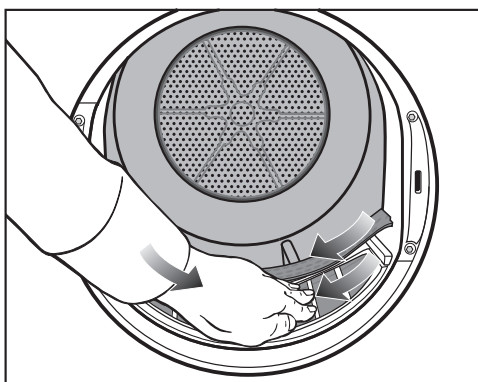
- Open the door.



- Pull the upper fluff filter forwards to remove it.



- Remove the fluff (see arrows).



- Remove the fluff (see arrows) from the filter surface of all the filters and the perforated laundry deflector.
- Push the upper fluff filter back into position until it clicks.
- Close the door.

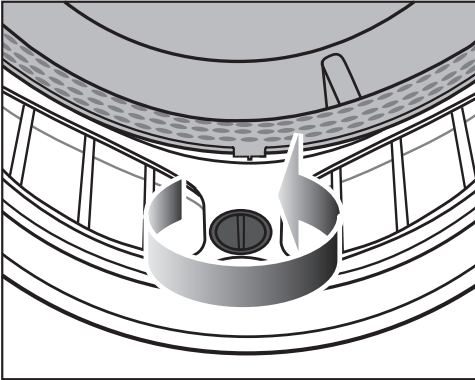


## Cleaning the fluff filters and air flow openings thoroughly

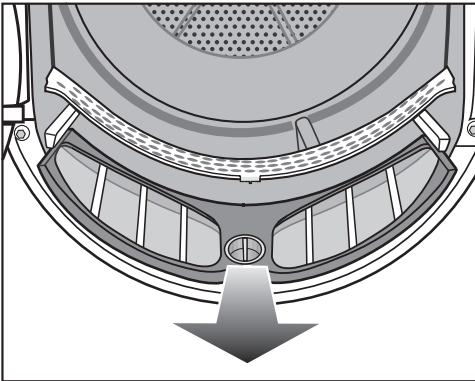
If the drying duration has become longer or the surface of the filters is visibly compacted with fluff, you should carry out the following cleaning procedure.

### Cleaning the fluff filters while dry

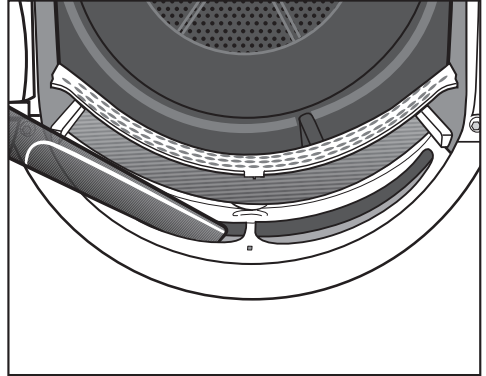
- Pull the upper fluff filter forwards to remove it.



- Turn the yellow dial until it clearly engages.



- Pull the fluff filter forwards to remove it.



- Use a vacuum cleaner with a long crevice nozzle attached to remove any visible fluff from the upper air flow openings.

## Cleaning and care

---

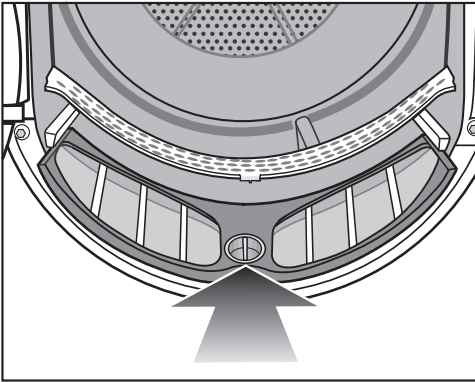
### Cleaning the fluff filters with water

- Rinse the filter surfaces through under warm running water.
- Wipe the smooth plastic surfaces of both fluff filters with a damp cloth to clean them.

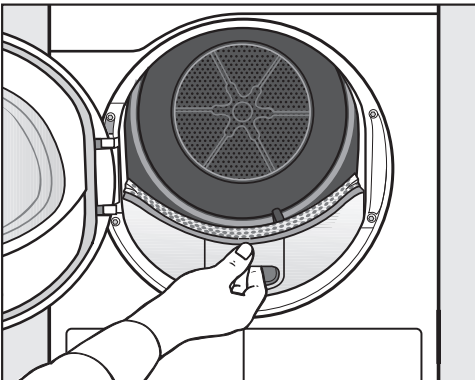
- Close the door.

Problems during drying due to wet fluff filters.

The dryer may exhibit malfunctions. Shake the fluff filters thoroughly and then dry them carefully.



- Push the lower fluff filter in completely and lock it with the yellow rotary control.

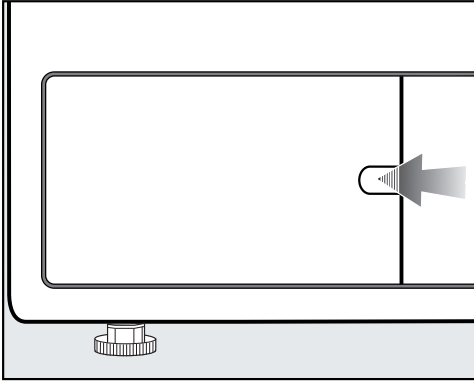


- Push the upper fluff filter all the way in.

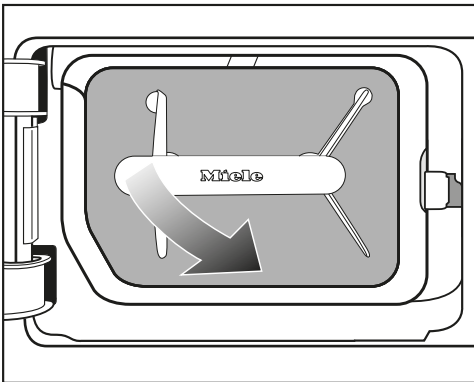
## Filter in the plinth

The plinth filter collects finer fluff, hair and detergent residues that have got through the surfaces of the other fluff filters.

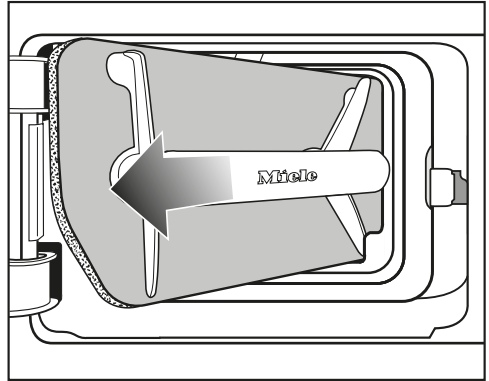
## Removing the plinth filter



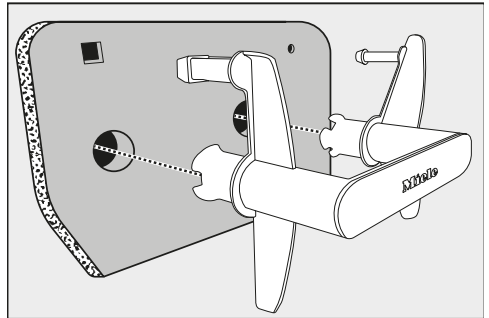
- Reach behind the catch with your finger.
- Open the flap on the plinth filter.



- 1 Use the handle to pull out the plinth filter forwards at an angle and to the right.



- 2 Pull the plinth filter out at an angle.

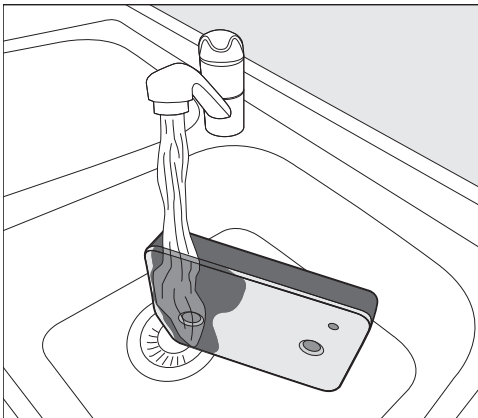


- Pull the handle out of the plinth filter.

## Cleaning and care

### Cleaning the plinth filter

- Clean the plinth filter carefully and thoroughly under running water.



**Tip:** To speed up the removal of residue from the surface, run a water jet vertically over the front of the plinth filter.

- Squeeze the plinth filter very carefully several times as you rinse it.
- Rinse the entire plinth filter thoroughly until all visible residue has been removed.
- Continue to carefully squeeze the plinth filter until all of the water has been removed.

**Tip:** To soak up water, place the damp plinth filter between 2 hand towels. On an even surface, gently press down on the fluff filter with the back of your hand. This will dry the plinth filter more quickly.

The plinth filter must not be fitted dripping wet. Otherwise, this could cause a fault. Carefully squeeze the water out of the plinth filter.

If a drying programme is interrupted with a fault message after the clean plinth filter has been refitted, the plinth filter was too wet when it was refitted. Carefully squeeze the water out of the plinth filter again. Leave the plinth filter to air-dry.

If a fault occurs again despite this, it may be due to stubborn residue from washing substances. Reactivate the plinth filter in the washing machine. See “Problem solving guide – Reactivating the plinth filter”.

**⚠** Damage caused by an insufficiently cleaned or damaged plinth filter.

If the plinth filter has not been properly cleaned or is damaged, the heat exchanger will be clogged. There will be an insufficient flow of air and heat in the heat exchanger. This will require a visit from the Customer Service Department.

Before and after cleaning, check the plinth filter in accordance with the description in “Replacing the plinth filter”. The plinth filter must be intact and in perfect working order after cleaning.

- Use a damp cloth to remove any fluff from the handle.

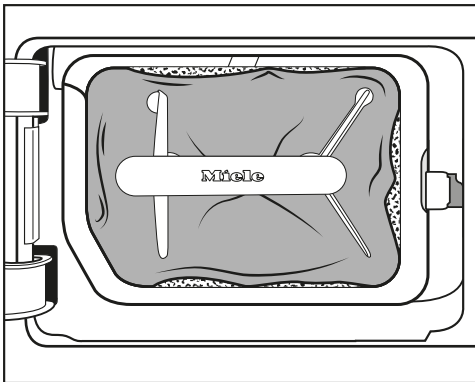
## Replacing the plinth filter

⚠ Filter wear caused by continuous tumble dryer use.

If the tumble dryer is in continuous use and is being cleaned regularly, the plinth filter can begin to show signs of wear after a while. This can clog up the heat exchanger.

Replace the filter immediately if you see the following signs of wear before or after cleaning (optional accessory).

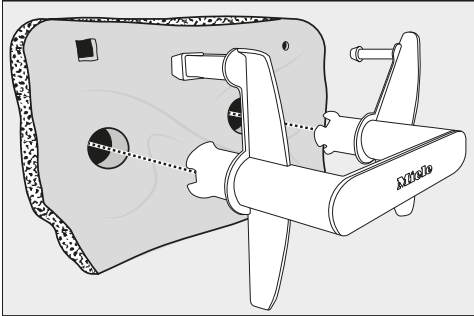
### Poor fit



The edges of the filter do not sit properly and the filter is deformed. Fluff will blow into the heat exchanger unfiltered through edges that do not sit properly. This will cause a permanent obstruction in the heat exchanger.

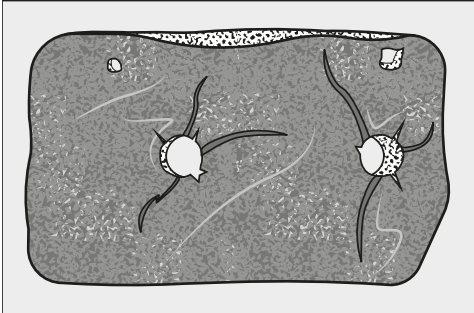
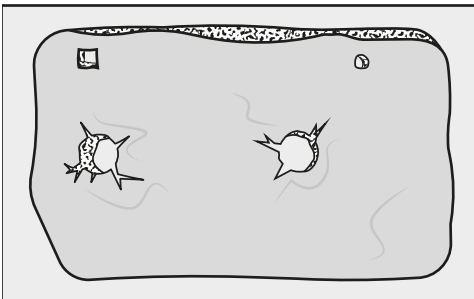
# Cleaning and care

## Deformation



Deformations indicate that the filter has become blocked and worn by continuous use.

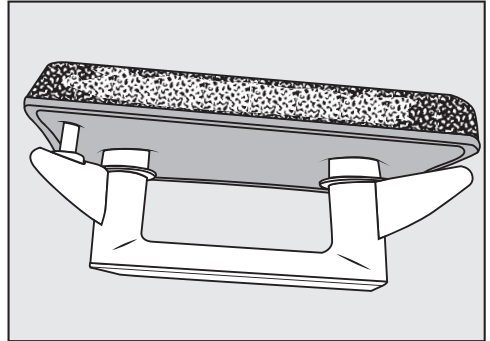
## Cracks, tears, indentations



Fluff will blow into the heat exchanger through cracks and tears and will cause obstruction.

Indentations indicate that the filter has become blocked and worn by continuous use.

## White residues or residues of other colours



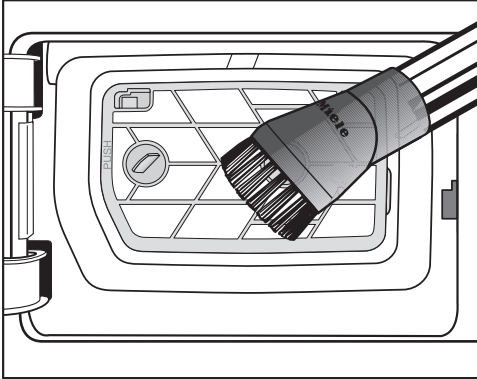
Residues arise from laundry fibres and traces of detergent components which can clog the filter. They can be found on the front and side edges of the filter. In extreme cases, they can form stubborn crust.

Residues are a sign that the filter is no longer a snug fit at the sides, even if it appears to be perfect: fluff is getting in unfiltered at the edges.

If these residues appear on the filters again soon after cleaning, the filter must be replaced.

## Cleaning the filter insert (in the plinth)

The surface of the filter in the filter insert is visible after removing the fluff filter in the plinth. This filter surface must only be cleaned if there is a visible accumulation of fluff.

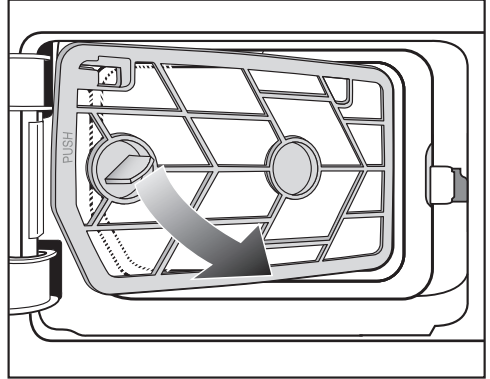


- Carefully vacuum up any visible fluff or soiling. Use a dusting brush or the narrow crevice nozzle.

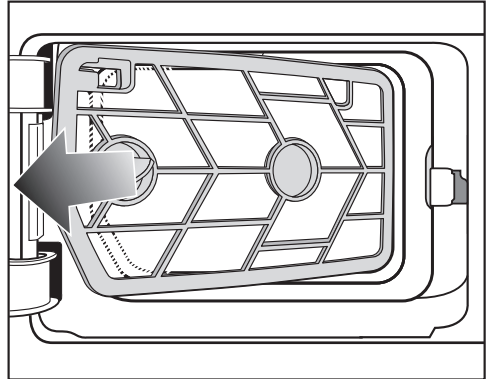
If there are visible blockages or other residues after cleaning: remove the filter insert and clean it under running water. If stubborn residues are not removed, these can lead to faults over time.

## Removing the filter insert

If the filter insert is clogged up and soiled, it must be removed and cleaned under running water.



- ① Use the handle to pull out the filter insert at an angle forwards and to the right.




- ② Then pull the filter insert out at an angle.
- Rinse the filter surface of the insert under warm running water.

Wet filters could cause operational faults while drying. Shake the filter insert thoroughly and then dry it carefully.

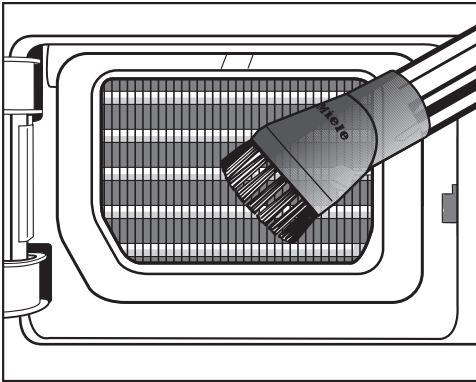
# Cleaning and care

---


## Check the cooling fins on the heat exchanger

 Danger of injury if you touch the cooling fins.  
You could cut yourself.  
Do not touch the cooling fins with your hands.

After removing the filter insert, visually check the cooling fins on the heat exchanger. Check for any accumulation of fluff.

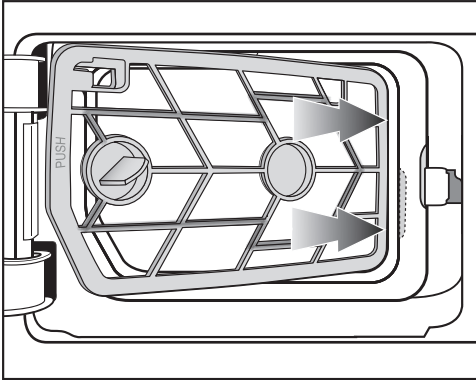


- If you notice any visible soiling, carefully vacuum it up with a vacuum cleaner. Use a dusting brush or the narrow crevice nozzle.

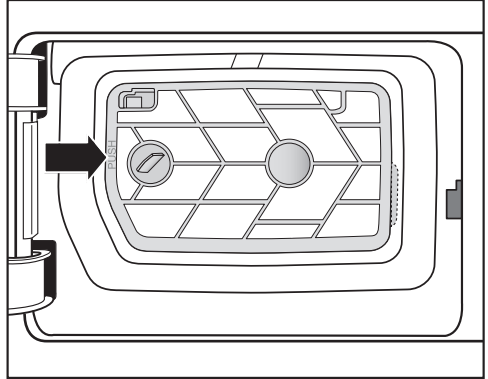
 Risk of damage if cooling fins are cleaned incorrectly.  
The cooling fins can suffer damage or distortion. This could hinder the operational performance of the tumble dryer.  
Clean using a vacuum cleaner with a dusting brush attached. Only pass the vacuum cleaner dusting brush over the fins lightly, without applying any pressure.



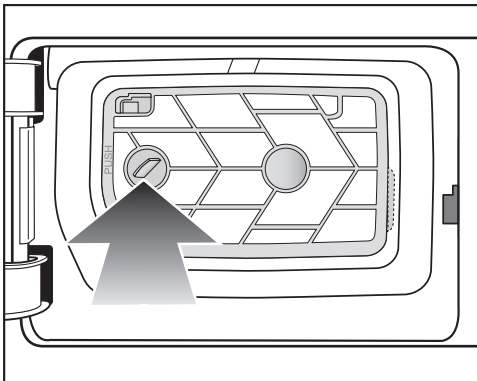
## Refitting the filter insert (in the plinth)



- 1 Use the handle to slide the filter insert to the right at an angle behind the edge.

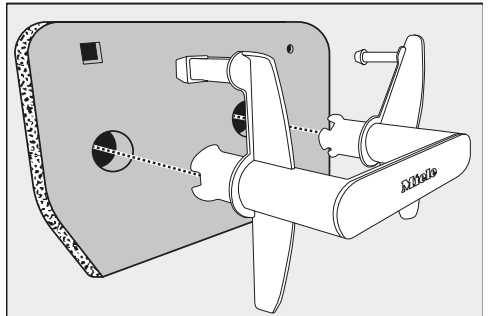


- 3 Press the frame of the filter insert in at the positions marked PUSH until it audibly engages.

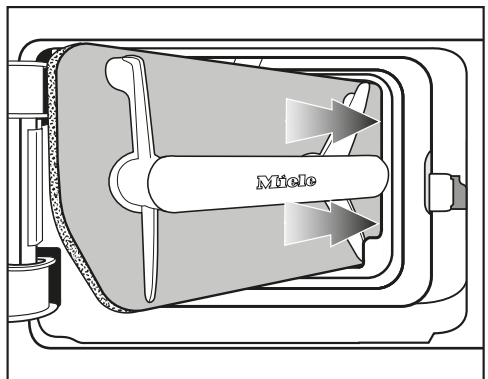


- 2 Then press on the handle until the filter is secured in position on the left.

## Refitting the fluff filter in the plinth

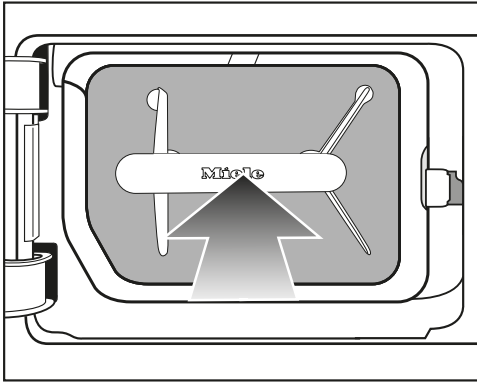


- Fit the fluff filter back on the handle. Make sure it is the correct way round.



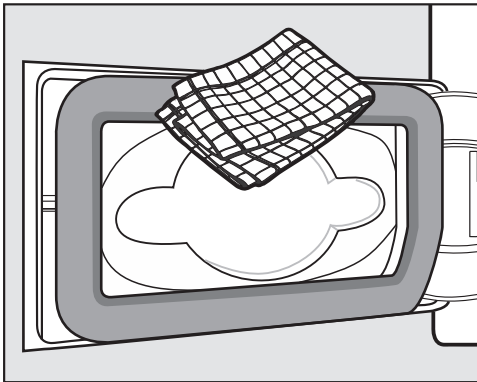
## Cleaning and care

- 1 Use the handle to slide the fluff filter on the right at an angle behind the edge.

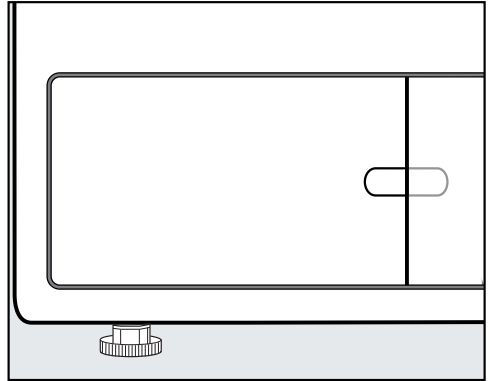


- 2 Then press on the handle until the fluff filter is secured in position.

### Cleaning and closing the fluff filter flap



- Use a damp cloth to remove any fluff. Make sure that you do not damage the rubber seal when doing this.



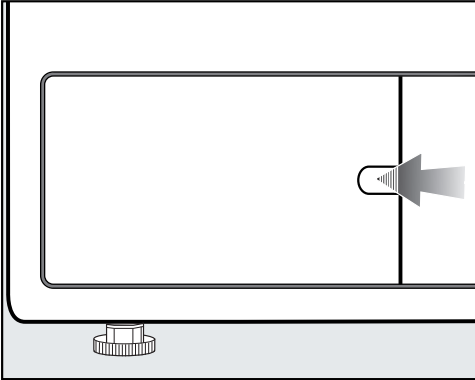
- Close the fluff filter flap.

The plinth filter must be inserted and the fluff filter flap must be closed to ensure the system is correctly sealed and that the tumble dryer will function correctly.

### Cleaning the bottom right grille/heat exchanger

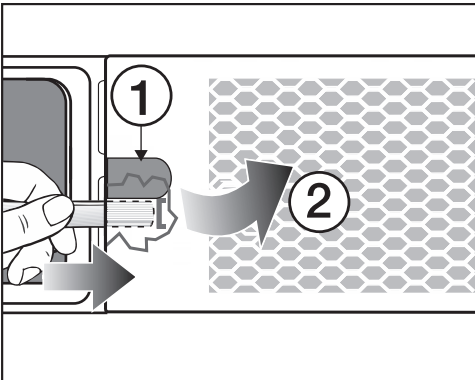
The heat exchanger's cooling fins behind the grille can become blocked with dust and dirt drawn in from the surrounding area.

## Removing the grille



- Open the fluff filter flap.

Open the bottom right grille, e.g. using a spoon handle.



- Insert a spoon handle underneath the grille (under the recess ①).
- Press and lever the grille gently until it opens on the left-hand side ②.
- Open the grille from left to right and pull it off at an angle to the front.

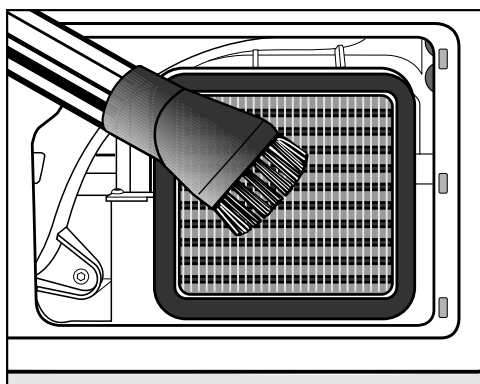
## Cleaning and care

### Cleaning the cooling fins

- Check whether the cooling fins are clogged.

**⚠** Danger of injury caused by touching the cooling fins. You could cut yourself. Do not touch the cooling fins with your hands.

If there is visible soiling:



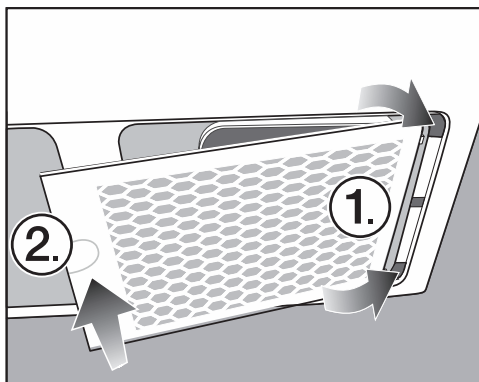
- Carefully vacuum up any visible fluff or soiling. Use a dusting brush or the narrow crevice nozzle.

**⚠** Risk of damage if cooling fins are cleaned incorrectly.

The cooling fins can suffer damage or distortion. This could hinder the operational performance of the tumble dryer.

Clean using a vacuum cleaner with a dusting brush attached. Only pass the vacuum cleaner dusting brush over the fins lightly, without applying any pressure.

### Replacing the grille



- Insert the grille on the right-hand side.
- Press the grille firmly on the left-hand side.

### Cleaning the tumble dryer

Disconnect the tumble dryer from the electrical supply.

**⚠** Damage caused by the use of unsuitable care products.

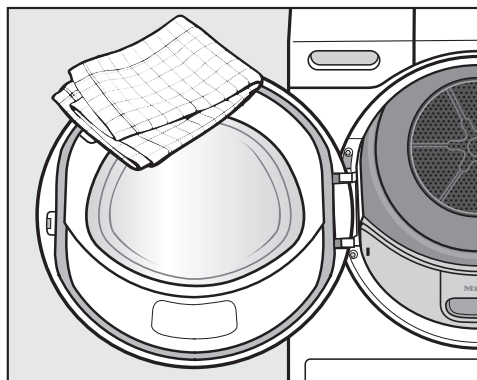
Unsuitable care products could damage plastic surfaces and other parts.

Do not use any solvents, abrasive cleaners, glass cleaners, or all-purpose cleaners.

**⚠** Danger of electric shock caused by water.

There is a risk of electric shock if water runs over or into the tumble dryer.

Never spray the tumble dryer with water. Only ever clean the appliance with a slightly damp, soft cloth.



- Clean the tumble dryer and the seal on the inside of the door with a slightly damp soft cloth and a mild solution of washing-up liquid and water.
- Dry all parts with a soft cloth.
- The drum and other stainless steel parts can be cleaned with a suitable stainless steel cleaner.

## Problem solving guide



---

Many malfunctions and faults that can occur in daily operation can be easily remedied. You can save time and money in many cases, as you do not need to call the Miele Customer Service Department.


Information to help you rectify faults yourself can be found at [www.miele.com/service](http://www.miele.com/service).

The following tables are designed to help you to find the cause of a malfunction or a fault and to resolve it.




### Programme cancellation and fault message in the display

Message	Cause and remedy
 The drum is empty or the laundry is too dry.	<p>In some programmes, if the drum has been under-loaded or is empty, the programme will be cancelled. This can also happen if the items are already dry. This is not a fault or a malfunction.</p> <ul style="list-style-type: none"><li>■ Open the door and check the laundry.</li><li>■ Add or remove laundry items.</li><li>■ Close the door.</li><li>■ Start a drying programme.</li></ul> <p>Dry individual items using the <i>Warm air</i> programme.</p>
 Obstruction detected. Untangle laundry and restart	<p>The laundry is unevenly distributed or has rolled up.</p> <ul style="list-style-type: none"><li>■ Open the door and loosen the laundry. Take out some of the laundry.</li><li>■ Close the door.</li><li>■ Start a drying programme.</li></ul>

## Problem solving guide


Message	Cause and remedy
<p>  Rinse the fluff filter and the plinth filter. Check the airways.         </p>	<p>           You have attempted to dry only a few items of varying size. A smaller item has been sucked into the loading area in the door. It is clogging the holes in the laundry deflector.         </p> <ul style="list-style-type: none"> <li>■ To delete the message: touch the OK sensor control.</li> <li>■ Open the tumble dryer door.</li> <li>■ Remove the item that is blocking the holes.</li> <li>■ Always dry small, individual items together with larger items.</li> </ul> <p>           If you are able to exclude all this, the system has been clogged by fluff or detergent residue.         </p> <p>           The system has been clogged by fluff or detergent residue.         </p> <ul style="list-style-type: none"> <li>■ Clean all fluff filters and air channels.</li> <li>■ Check whether the fluff filters in the loading area and plinth are free from damage and in good working order.</li> <li>■ If you have removed the plinth filter, also check the filter insert behind it. Clean the filter insert if necessary.</li> <li>■ If you have removed the filter insert, also check the heat exchanger behind it. Clean the heat exchanger if necessary.</li> </ul> <p>           Please see “Cleaning and care” for notes on cleaning. Fluff filters that are damaged, misshapen or can no longer be cleaned must be replaced with new ones.         </p> <ul style="list-style-type: none"> <li>■ To delete the message: touch the OK sensor control.</li> </ul>

## Problem solving guide

Message	Cause and remedy
 Rinse the fluff filter and the plinth filter. Check the airways.	<p>The plinth filter looks clean after thorough cleaning. However, the programme is cancelled and the fault message appears again. The reason for this is that there is still underlying residue that cannot be removed.</p> <ul style="list-style-type: none"><li>■ To delete the message: touch the OK sensor control.</li><li>■ Replace the plinth filter with a new one.</li><li>■ You can reactivate the removed, “old” plinth filter in the washing machine. Follow the instructions described in “Problem solving guide – Reactivating the plinth filter”.</li></ul>
 Check water drainage	<p>The condensate drain is faulty.</p> <ul style="list-style-type: none"><li>■ Check that the drain hose is in good working order and is not bent.</li><li>■ To delete the message: open and close the door while the tumble dryer is switched on.</li></ul>
 Fault F. If restart fails, call Service	<p>There is no obvious cause for the cancellation of the programme.</p> <ul style="list-style-type: none"><li>■ Note the prompt in the display.</li><li>■ Touch the OK sensor control.</li><li>■ Start a drying programme.</li></ul> <p>If the programme is cancelled again with the same fault message, then there is a fault. Contact the Miele Customer Service Department.</p>



## Messages in the display

Message	Cause and remedy
<p><b>i</b> Open bottom right grille, clean the heat exchanger</p>	<p>The heat exchanger's cooling fins behind the grille can become blocked with dust and dirt drawn in from the surrounding area and the airways can become blocked with fluff.</p> <ul style="list-style-type: none"> <li>■ Clean the heat exchanger. See "Bottom right grille/heat exchanger" in "Cleaning and care".</li> <li>■ Check and clean the filters in the loading area and in the plinth.</li> <li>■ To delete the message: touch the OK sensor control.</li> </ul>
<p><b>i</b> Clean the fluff filter and rinse the plinth filter.</p>	<p>This information is displayed at the end of the programme if the tumble dryer is not working correctly or economically.</p> <p>The fluff filters may be clogged.</p> <ul style="list-style-type: none"> <li>■ Normally, all you have to do is clean the fluff filters.</li> <li>■ Also check the plinth filter and clean it if necessary.</li> <li>■ If you have removed the plinth filter, also check the filter insert behind it. Clean the filter insert if necessary.</li> </ul> <p>Please see "Cleaning and care" for notes on cleaning.</p> <ul style="list-style-type: none"> <li>■ To delete the message: touch the OK sensor control.</li> </ul>
<p> Plinth filter not fitted. Please fit it.</p>	<p>The plinth filter has not been inserted.</p> <ul style="list-style-type: none"> <li>■ Check the filter in the plinth.</li> </ul> <hr/> <p>Removing the filter during a drying programme will result in the programme being cancelled.</p>
<p><b>i</b> Power outage. Programme stopped</p>	<p>There has been a power outage.</p> <ul style="list-style-type: none"> <li>■ After resumption of power, confirm with OK.</li> <li>■ Touch the <i>Start/Stop</i> sensor control.</li> </ul>
<p>Finish/Cool down</p>	<p>There is no fault, but the drying process continues. The laundry is still being cooled. The programme is just about to end.</p> <ul style="list-style-type: none"> <li>■ You can remove the laundry and spread it out to cool down or leave it in the tumble dryer to cool down until the end of the programme.</li> </ul>

# Problem solving guide

## Unsatisfactory drying results

Problem	Cause and remedy
The laundry is not sufficiently dry.	The load consisted of different types of fabric. ■ Finish drying using the <i>Timed drying warm air</i> programme.
Large items of laundry have rolled up, causing a problem. The individual items of laundry are still damp.	The laundry could not be disentangled in the programme you selected. Smaller items have rolled up into one. ■ Disentangle the laundry. ■ Select the <i>Large items</i> programme.
	If the <i>Large items</i> programme does not appear in the display for selection, you can activate it subsequently. How to activate a programme subsequently is described in “Supervisor level” – “Opening the Supervisor level” and “Programme selection/Programme packages”.
Laundry or feather filled pillows smell after drying.	The laundry was washed with insufficient detergent. Feathers are a natural product and this is quite normal. ■ Laundry: use sufficient detergent next time. ■ Allow feather pillows to air after tumble drying.
Items made of synthetic fibres are charged with static electricity after drying.	Synthetic fibres tend to attract static charge. ■ Static charge can be reduced by adding a fabric conditioner to the final rinse in the washing programme or a fabric conditioner sheet to the load when drying.
There is a build-up of fluff.	Fluff is principally the result of friction when garments are being worn and to some extent when they are being washed. Machine drying hardly causes any fluff to form and has no appreciable effect on the lifetime of the fabric. Fluff is collected by the fluff filters and fine filter and can be easily removed ■ (see “Cleaning and care”).

### The drying cycle duration is very long


Problem	Cause and remedy
<b>The drying process goes on too long or even switches off*.</b>	<p>The room where the tumble dryer is located is too warm.</p> <ul style="list-style-type: none"> <li>■ Ventilate the room thoroughly.</li> </ul>
	<p>Detergent residues, hair and fine fluff can clog the filters.</p> <ul style="list-style-type: none"> <li>■ Clean the fluff filters and the filter in the plinth. See “Cleaning and care” for an in-depth description.</li> <li>■ If you have removed the plinth filter, also check the filter insert behind it. Clean it if necessary.</li> <li>■ If you have removed the filter insert, also check the heat exchanger behind it. Clean it if necessary.</li> </ul>
	<p>The cooling fins behind the bottom right grille are soiled.</p> <ul style="list-style-type: none"> <li>■ Clean as described in “Bottom right grille/airways” under “Cleaning and care”.</li> </ul>
	<p>The laundry is too damp.</p> <ul style="list-style-type: none"> <li>■ Spin using a higher spin speed in the washing machine.</li> </ul>
	<p>The drum is too full.</p> <ul style="list-style-type: none"> <li>■ Do not exceed the maximum load size for the drying programme selected.</li> </ul>
	<p>Metallic components, e.g. zips, have prevented the tumble dryer from registering the correct laundry moisture level.</p> <ul style="list-style-type: none"> <li>■ Open any zips next time.</li> <li>■ If the problem recurs, dry these items using the <i>Timed drying warm air</i> programme.</li> </ul>

\* Switch the tumble dryer off; wait a short while before starting a new programme.

# Problem solving guide

---

## General problems with the tumble dryer

Problem	Cause and remedy
<b>There are humming noises.</b>	The compressor is operating. These noises are quite normal and do not indicate a fault.
<b>The drum lighting does not come on.</b>	To save energy, the drum lighting goes out automatically after a set time and after the programme starts. <ul style="list-style-type: none"><li>■ Switch the tumble dryer off and then on again.</li><li>■ To switch the drum lighting on, open the door of the tumble dryer.</li></ul>
	The drum lighting is faulty. The drum lighting is designed to last a long time and should not normally need to be replaced. <ul style="list-style-type: none"><li>■ If you have tried everything but the drum lighting still does not come on, contact the Miele Customer Service Department.</li></ul>
<b>The display is in a different language.</b>	A different language has been selected. <ul style="list-style-type: none"><li>■ Set the language you want. The flag symbol  will guide you.</li></ul>

### Reactivating the plinth filter

You can reactivate one or more soiled plinth filters in a washing machine. You will then be able to use the plinth filter again for a reasonable period of time.

- Wash the plinth filter(s) separately, not with any laundry items. Do not add any detergent.

**Tip:** Select a short wash programme with a maximum temperature of 40 °C and a maximum spin speed of 600 rpm.

- Select the *Separate rinse* programme, for example.

You can re-insert the plinth filter once the wash and spin cycles are complete. You can continue to use a reactivated plinth filter provided that it does not show any signs of wear.

You must stop using the plinth filter if it shows signs of wear or deformation.

Please see “Cleaning and care – Replacing the plinth filter” for details.

# Service

---

## Contact in the event of a fault

In the event of any faults which you cannot remedy yourself, please contact your Miele dealer or the Miele Customer Service Department.

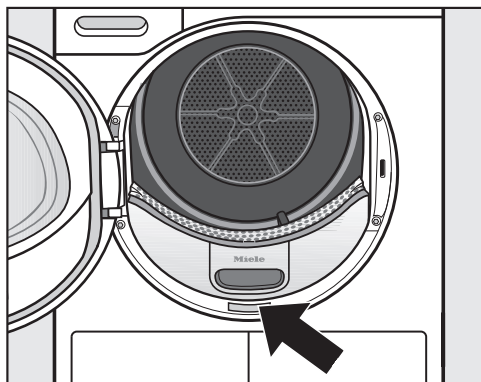
You can book a Miele Customer Service Department call-out online at [www.miele.com/service](http://www.miele.com/service).

Contact information for the Miele Customer Service Department can be found at the end of this document.

Please quote the model identifier and serial number of your appliance (Fabr./SN/Nr.) when contacting the Miele Customer Service Department. This information can be found on the data plate.

Please note that telephone calls may be monitored and recorded for training purposes and that a call-out charge will be applied to service visits where the problem could have been resolved as described in this booklet.

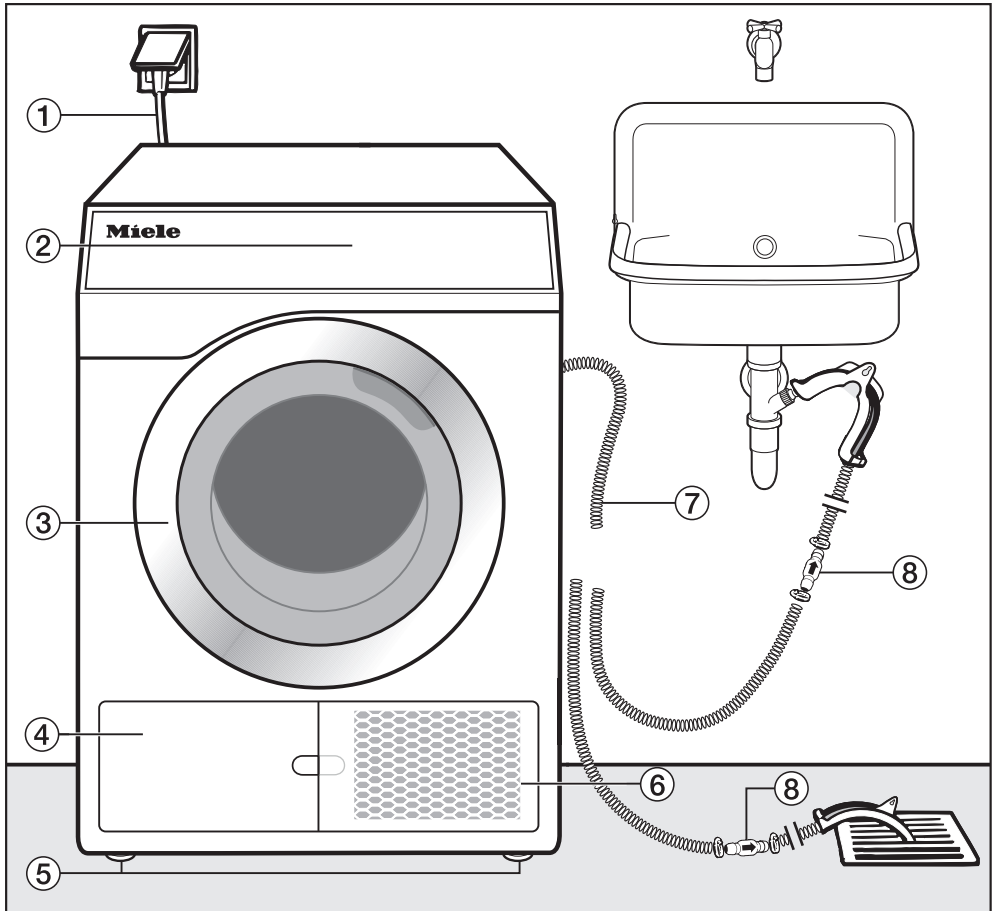
Open the door of your tumble dryer to find the data plate:



## Optional accessories

Optional accessories for this tumble dryer are available from your Miele Dealer or from the Miele Spare Parts Department.

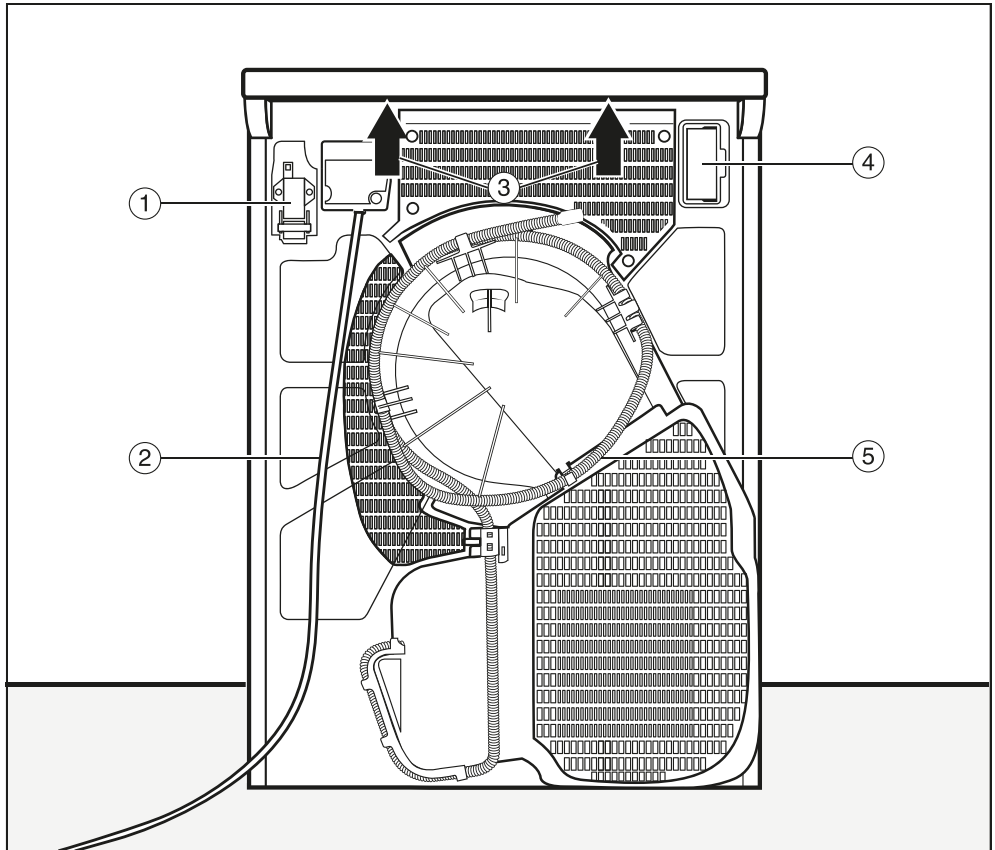
## Front view



- ① Mains connection cable
- ② Control panel
- ③ Door
- ④ Fluff filter flap for the filter in the plinth
  - Open only when a prompt appears in the display
- ⑤ 4 height-adjustable screw feet
- ⑥ Bottom right grille = Air cooling opening
  - Open only when a prompt appears in the display
- ⑦ Drain hose for condensation
- ⑧ Non-return valve, required

# Installation

## Rear view



- ① Interface for communicating with external devices
- ② Mains connection cable
- ③ Recesses under the protruding lid for transporting the appliance
- ④ Module slot (for external communication module)
- ⑤ Drain hose for condensation

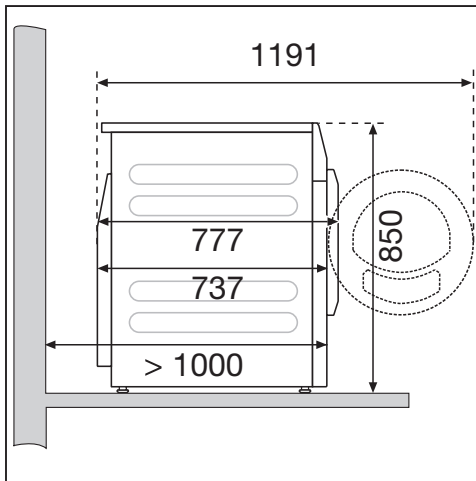


## Locations

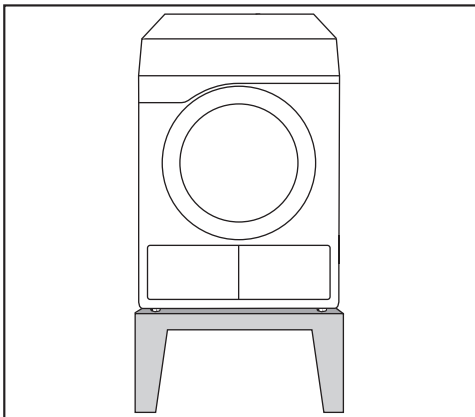
All measurements are in mm.

The distances between the machine and the wall are recommendations to help make it easier to carry out service work. If installation space is limited, the machine can also be pushed up against the wall.

## Side view

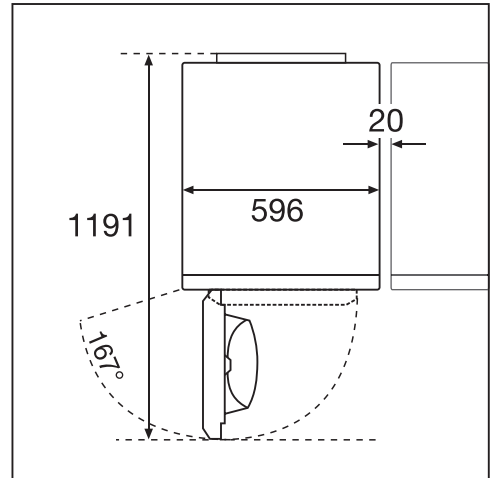


## Steel plinth



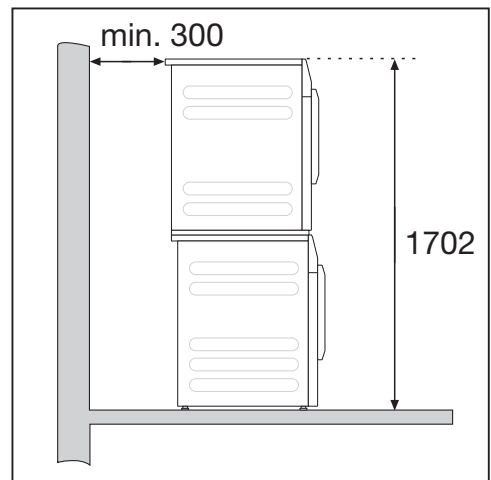
Steel plinth\* (open or closed bases)

## View from above



## Washer-dryer stack

⚠ Installing the washer-dryer stack on a Miele plinth is not permitted.



A stacking kit\* is required. This must be fitted by a Miele authorised technician.

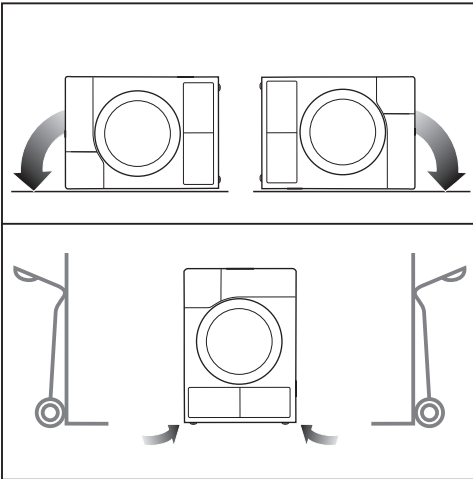
\* Miele accessory available to order

# Installation

## Transporting the tumble dryer to its installation site

**⚠** Damage caused by incorrect transportation of the tumble dryer. If the tumble dryer tips over, there is a danger of injury to people and damage to property. Ensure that the tumble dryer is stable during transportation.

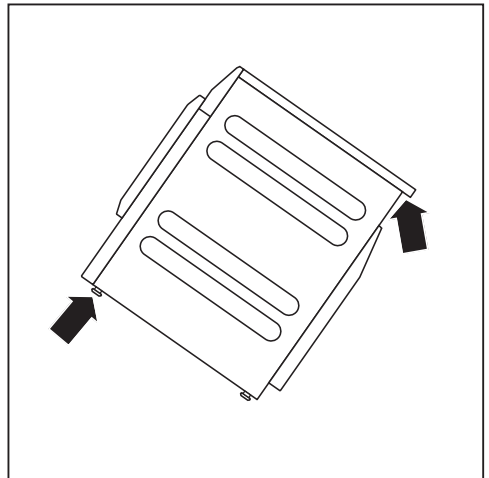
## Transporting the tumble dryer



- If the tumble dryer is being transported on its side, it must be tipped onto its left or right side.
- If the tumble dryer is being transported upright, always transport it on a sack truck with its left or right side resting on the truck.

## Transporting the tumble dryer to its installation site

**⚠** Danger of injury due to unsecure lid. The fixings at the back of the lid could break as a result of external forces. There is a danger of the lid being pulled off when carrying the machine. Before carrying the machine, check that the lid is secure where it protrudes at the back of the machine.




- Carry the tumble dryer by the front feet and by the lid where it protrudes at the back of the appliance.

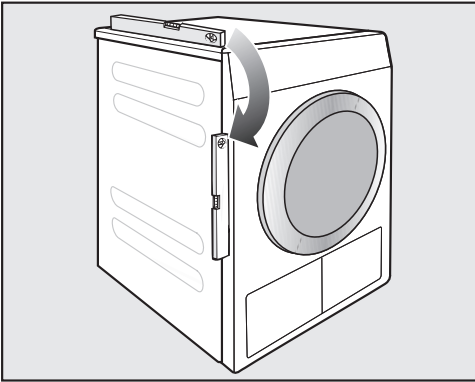
## Installation

Ensure that no closeable door, sliding door, or an oppositely hinged door is installed that would hinder the door of the tumble dryer being opened in any way.

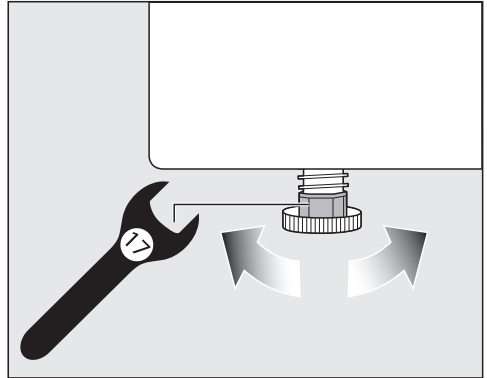
## Downtime after installation

 Damage caused by switching the appliance on too soon. This can damage the heat pump. After setting up the tumble dryer, wait for at least one hour before switching it on.

## Levelling the tumble dryer



The appliance must stand perfectly level on all four feet to ensure safe and proper operation.



The screw feet can be adjusted to compensate for unevenness in the floor.

This tumble dryer is not suitable for building under.

Never block the ventilation slots on the tumble dryer. Do not block the gap between the bottom of the tumble dryer and the floor with plinth facings, deep pile carpet etc. This would hinder a sufficient flow of air to the tumble dryer.

# Installation

---

## Room ventilation

- Air drawn in for use in the drying process will be warm when it is expelled back into the room. It is therefore very important to ensure the room is adequately ventilated, particularly if the dryer is located in a small room. An openable window is not classed as adequate ventilation.
- Make sure the room temperature is not too high. If there are other heat producing appliances in the room in which the dryer is located, make sure the room is well ventilated and switch the other appliances off, if possible.

Otherwise running times and energy consumption could be increased.

## External control equipment

An optional accessory unit has to be purchased to set up a connection with external systems:

- XCI box communication module (e.g for peak load control units or payment systems)
- XCI-AD communication adapter (for payment systems only)

## Payment systems

This tumble dryer can be fitted with a payment system (optional Miele accessory). In this case, a Miele Service technician must programme the relevant settings in the tumble dryer's electronics and connect the payment system.

Coins/tokens must be removed from the coin box regularly. Otherwise, the payment system will become blocked.

## Hose for external drainage of condensed water

The condensed water is pumped away through the drain hose which is located at the back of the dryer.

### Laying the drain hose

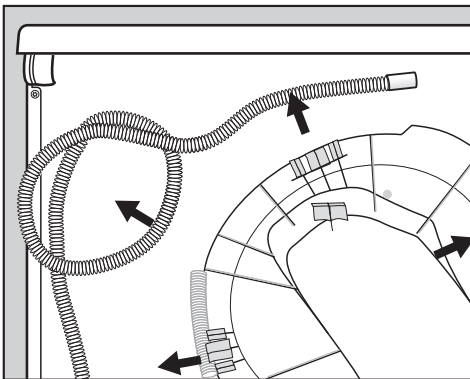
**⚠** Damage to the drain hose due to incorrect handling.

The drain hose can suffer damage and leak.

Do not pull on the drain hose and do not stretch it or allow it to become kinked.

**Tip:** Use the bow-shaped guide to prevent the drain hose from becoming kinked.

Drain hose length: 1400 mm  
Delivery head: 1000 mm



■ Pull the drain hose out of the clips.

### Drainage options

**Tip:** Follow the warnings regarding leaking or returning water if you select one of the following connection options.

- Directed into a floor gully
- Connected directly to a sink drain outlet
- Connection to a drainage system already in use by another appliance, e.g. a dishwasher or washing machine

**⚠** Water damage.

Should the end of the hose come loose, overflowing water can cause damage.

Secure the drain hose carefully (e.g. by tying it) to make sure it cannot slip.

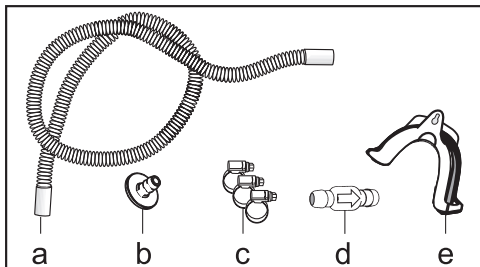
**⚠** Damage caused by condensation back-flow.

Water could flow back into the tumble dryer or be drawn into it. The tumble dryer will sustain damage and water will leak out.

The non-return valve should be used if the end of the hose is immersed in water, or if other water connections are installed.

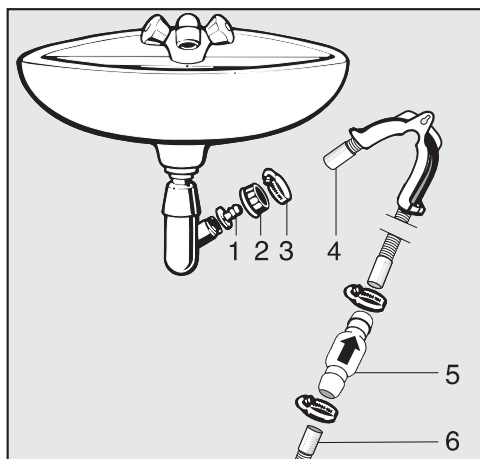
# Installation

## Drainage accessories, included



- a. Hose extension
- b. Adapter
- c. Hose clip
- d. Non-return valve
- e. Hose holder

## Example: Connected directly to a sink drain outlet



- 1. Adapter
- 2. Nut
- 3. Hose clip
- 4. Hose extension
- 5. Non-return valve and hose clips
- 6. Tumble dryer drain hose

- Install adapter **1** to the sink drain outlet using nut **2**. The nut is usually fitted with a washer which must be removed.
- Attach the end of the hose **4** to adapter **1**.
- Use a screwdriver to tighten hose clip **3** up close to the nut.
- Insert the non-return valve **5** into the tumble dryer's drain hose **6**.

Install the non-return valve **5** so that the arrow points in the direction of flow (towards the sink).


- Secure the non-return valve using hose clips.

## Electrical connection

This description applies to tumble dryers both with and without a mains plug.


The following applies to tumble dryers with a mains plug:

- This tumble dryer is supplied with a mains cable and plug ready for connection.
- The electrical socket must be easily accessible so that the tumble dryer can be disconnected from the electricity supply.

 **Damage caused by incorrect supply voltage.**

The data plate indicates the nominal power consumption and the appropriate fuse rating.

Compare the specifications on the data plate with those of the mains electricity supply and make sure that they match.

The electrical system must comply with local and national safety regulations (BS 7671 in the UK). We recommend the use of a suitable RCD .


The tumble dryer may only be connected to a permanent electrical system that conforms to the national and local codes and regulations.

The tumble dryer should never be connected by an extension cable, e.g. power strips, to avoid the risk of fire.

If the machine is hard wired, a dual circuit breaker must be provided on-site. When switched off there must be an all-pole contact gap of at least 3 mm in the isolator switch (including miniature circuit breaker, switch, fuses and relays ac-

ording to IEC/EN 60947). This connection process must be performed by a qualified electrician.

The plug connector or isolator switch should be easily accessible at all times.

 **Risk of electric shock from mains voltage.**

If the tumble dryer is disconnected from the mains, protective measures must be taken to ensure that the point of disconnection cannot accidentally be switched on again.

Make sure the isolator is lockable or the point of disconnection is monitored at all times.

New connections, modifications to the system, or servicing of the earthing conductor, including determining the correct fuse amperage, must be carried out by a qualified electrician, as they are familiar with the pertinent regulations and the specific requirements of the electric utility company.

The tumble dryer must not be connected to devices such as timers which would switch it off automatically.

### Single phase AC 230 V – country variant 230V 25A

This device is intended for connection to a power supply system where the maximum value of external phase neutral loop impedance  $Z_{max}$  of 0.38 Ohms at the point of distributor supply connection is not exceeded.

The user has to ensure that this device is connected only to a power supply system which fulfils the requirement

# Installation

---

above. If in doubt, please ask your electrical distributor for actual impedance value.



## Technical data

Height	850 mm
Width	596 mm
Width (only for machines with a stainless steel lid)	605 mm
Depth	777 mm
Depth with door open	1191 mm
Weight	72 kg
Drum volume	130 l
Load size	8 kg (weight of dry laundry)
Hose length	1400 mm
Length of connection cable	2000 mm
Supply voltage	See data plate on back of machine
Rated load	See data plate on back of machine
Fuse rating	See data plate on back of machine
Test certifications awarded	See data plate on back of machine
LEDs	Class 1
Designation of refrigerant	R134a
Refrigerant quantity	0.61 kg
Refrigerant global warming potential	1430 kg CO <sub>2</sub> e
Appliance global warming potential	872 kg CO <sub>2</sub> e
Max. floor load during operation	925 N
Product safety standard	EN 50570, EN 60335
A-rated sound emissions L <sub>pA</sub> in accordance with EN ISO 11204/11203	< 70 dB re 20 µPa
Frequency band	2.4000 GHz – 2.4835 GHz
Maximum transmission power	< 100 mW

# Technical data

---

## EU Conformity declaration

Miele hereby declares that this heat-pump tumble dryer complies with Directive 2014/53/EU.

The complete text of the EU declaration of conformity is available from one of the following internet addresses:

- Products, Download from [www.miele.ie](http://www.miele.ie)
- For service, information, operating instructions etc: go to <https://miele.co.uk/manuals> and enter the name of the product or the serial number

## UK Conformity declaration

Miele hereby declares that this heat-pump tumble dryer complies with UK Radio Equipment Regulations 2017, as amended.

The complete text of the UK declaration of conformity is available from one of the following internet addresses:

- Products, Download from [www.miele.co.uk](http://www.miele.co.uk)
- For service, information, operating instructions etc: go to <https://miele.co.uk/manuals> and enter the name of the product or the serial number

This **Statement of Compliance** confirms this Miele product fully complies with the **Product Security and Telecommunications Infrastructure (Security Requirements for Relevant Connectable Products) Regulations 2023**.

- 1) Household Appliance – *Professional Tumble Dryer GT10, GT11, GT14, GT15*
- 2) Manufactured by: Miele & Cie KG,  
Carl Miele Street 29, 33332 Gutersloh Germany  
Imported by and contact point: Miele Company Ltd, Fairacres, Marcham Road,  
Abingdon, Oxon, OX14 1TW Great Britain
- 3) The defined support period at the time of first supply is 10 years
- 4) To report vulnerabilities and cybersecurity issues please contact: [psirt@miele.com](mailto:psirt@miele.com)

5) Signature 

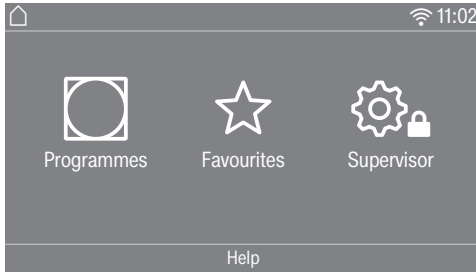
Name: **Paul Wright**


Company Position: **Head of Technical Management**

Date of signature: **19th March 2024**

Place of signature: **Abingdon, Oxfordshire**

## Accessing supervisor level



Touching the  sensor takes you to the Supervisor level.

## Access via code

Supervisor level is accessed using a code.

Factory default: The code is **000**.

## Change code

You can alter the Supervisor level access code to protect the dryer from unauthorised access.

Be careful when entering a new code. You will need to inform Miele Service if you forget your new code. Miele Service will have to reset the code. Make a note of your new code and store it in a safe place.

## Demo programme

In showrooms, a demo programme can be started with a simulation.

The programme does not start. The operational sequence is simply a simulation.

**Tip:** The demo programme will only be available if a drying programme lasting more than 1 hour has not been carried out. After this, the demo programme will not be available.

## Closing the settings menu

- Touch the  sensor.

The display will then go back to the previous menu level.

- Touch the  sensor.

The display will change to the main menu.

# Supervisor level


---

## Controls / Display

### Language

The display can be set to appear in one of several different languages. To select the language you want, go to the *Languages* sub-menu.

You can change the language as follows:


- Permanently using the supervisor level (= "Supervisor language").
- For the duration of the current programme only using the  sensor control. The supervisor language is displayed again at the end of the programme.

### Language entry


The display can be set to one of several different user languages. This setting allows you to determine how languages can be selected.

The language can be changed as follows:

#### International


Six languages are available. The  sensor is not active. Note the setting *Set languages*.

#### Language setting

The  sensor can be used to select a language. All languages are available (factory default).

You can change the order of the first four languages. These slots are allocated to the most commonly used languages.

#### Standard language

The user language cannot be changed. The user language is the same as the supervisor language. The  sensor is not active.

## Set languages

The languages for the setting Language entry International can be changed.

Six languages can be selected. All languages are available.

If you wish to add a new language to the language menu:

Six languages can be selected. All languages are available.

If you wish to add a new language to the language menu:

- First select the language you want to replace.

All available languages are displayed.

- Select and confirm the language to replace the previous language.

The new language appears instead of the old one.

## Display brightness

The brightness of the display can be altered. The setting depends on the various lighting conditions in the place of installation.

- It can be set to one of 10 different levels.

## Clock display

After selecting the clock format, you can set the time of day.

### Clock format

- Factory default: 24-hour display
- 12-hour display
- No clock

### Setting the time

- The time can be set.

## Date

The date can be set after selecting the date format.

- Date format

The date can be shown starting with the day, month or year.

- Date

The date is set.

# Supervisor level

---

## Volume

The volume for various sounds can be changed.

The volume can be changed.

- Finish tone
- Keypad tone
- Welcome tone
- Fault alarm  
The audible signal that indicates an error can be switched off. The volume cannot be changed here.

## Res. moisture display

In addition to displaying the drying level, the residual moisture can also be indicated as a percentage.

- Factory default: without percentages
- With percentages

## Visibility parameters

Various parameters are offered/displayed when a programme is selected. You can decide which parameters should not be displayed. These parameters can then not be edited during programme selection.

- Residual moisture
- Duration (only timed programmes)
- Load size
- Gentle tumble
- Anti-crease

## Display off status

The display switches off to save energy; only the *Start/Stop* sensor flashes slowly. You can change this setting.

Changing this setting leads to increased energy consumption.

- *Off*  
No switching off
- *On (10 min.) Not curr.prog.*  
The display will remain on while the programme is running but will go out 10 minutes after the end of the programme.
- *Logo (10 min.) Not curr.prog.*  
The display will remain on while the programme is running but the logo will light up 10 minutes after the end of the programme.
- Factory default: *On after 10 min.*  
The display is switched off after 10 minutes.
- *On (30 min.) Not curr.prog.*  
The display will remain on while the programme is running but will go out 30 minutes after the end of the programme.
- *Logo (30 min.) Not curr.prog.*  
The display will remain on while the programme is running but the logo lights up 30 minutes after the end of the programme.
- *On after 30 min.*  
The display will go out after 30 minutes.

## Machine off status

In order to save energy, the tumble dryer will switch off automatically after the end of the programme or if no further selection is made. You can change this setting.

Changing this setting leads to increased energy consumption.

- No switch off
- Factory default: Switch off after 15 minutes
- Switch off after 20 minutes
- Switch off after 30 minutes

# Supervisor level

---

## Delay start

The delay start (timer) can be activated or deactivated.

- Factory default: Off
- On

## SmartStart

The function to delay start changes when the *SmartGrid* setting is activated. The period of time in which the drying programme will start automatically is then shown in the display: *SmartStart by*, *SmartStart in*, or *SmartFinish by*.

The programme is started via an external signal.

The time period can be defined up to 24 hours. During this period, the tumble dryer waits for an external signal. If no signal is sent during the defined period, the tumble dryer starts the drying programme once the defined period of time has elapsed.

## Memory

The tumble dryer saves the settings that were last selected for a drying programme (drying stage and/or extra option, or the duration for some programmes).

- Factory default: Off
- On

## Temperature unit

You can select the unit for the temperature display.

- Factory default: °C / *Celsius*
- °F / *Fahrenheit*

## Weight unit

You can decide whether load quantities are displayed in “kg” or “lbs”.

- Factory default: kg
- lb

## Logo

You can choose whether the “Miele Professional” logo or your own logo appears in the display.

For the setting **Controls**, the option **Laundrette Logo**, **Laundrette Logo int. time** or **Laundrette Logo ext. time** must be selected.

- Miele Professional logo
- Customer logo
- Marine logo

## Supervisor code

You can alter the access code to the Supervisor level.

- Enter the existing code.
- Enter a new code.



## Programme selection

### Controls

You can select whether the tumble dryer is operated as a “laundrette” machine. Shortcuts are the easiest way to operate the machine. Operating staff are unable to change pre-set programmes.

**Tip:** Start by configuring all necessary settings and changes to the tumble dryer before adjusting any of the options below.

**Caution:** When activating any of these options, the Supervisor level will no longer be available. You will no longer be able to access the Supervisor level via the display. Please follow the instructions below if you wish to change any other settings.

### Opening the Supervisor level (laundrette version)

- Switch the tumble dryer on and open the dryer door.
- ① Touch the *Start/Stop* sensor and hold it down whilst carrying out steps ②-③.
- ② Close the dryer door.
- ③ Wait until the *Start/Stop* sensor, which will now be flashing quickly, lights up constantly ...
- ④ ... and then release the *Start/Stop* sensor.

#### - *Standard*

Factory default: all (selected) programmes are available.

#### - *Laundrette, basic*

12 programmes are available.

Under *Favourite programmes*, you can set which or how many programmes can be selected/modified.

#### - *Laundrette Logo*

12 programmes are available.

Under *Favourite programmes*, you can set which or how many programmes can be selected/modified.

The first 3 programmes can be selected directly. The remaining programmes are selected via another list.

#### - *Laundrette Logo ext. time*

4 time programmes\* with different temperature levels are time-controlled via an external payment system. The maximum load size is 8 kg.

The set value indicates the programme running time and cannot be modified by the user.

This option is only available with an external payment system.

\* The maximum programme running time is specified during initial commissioning.

# Supervisor level

---

## - *Laundrette Logo int. time*

4 time programmes\* with different temperature levels are time-controlled via the tumble dryer electronics. The maximum load size is 8 kg.

The set value indicates the maximum programme running time and can be modified by the user.

\* The maximum programme running time is specified during initial commissioning.

## - *External prog. selection*

A communication module can be used to select the programme from an external terminal.

## Programme packages

This allows you to specify the scope of the tumble dryer programme. You can select all of the programmes or individual programmes from the relevant programme packages.

The programme packages are described in detail under “Programme overview”.

## Favourite programmes

After switching on, you can also select a programme via: ☆ Favourites. 12 programmes can be stored as favourites based on your own priorities and requirements.

These favourites will also be made available in the control options

## - *Laundrette Logo*

## - *Launderette, basic*

You can specify the control option under *Controls*.

**Tip:** You can assign a different colour to each programme. In this case, the *Prog. colour allocation* setting must be set to *On*.

## Changing Favourite programmes

- Select the programme you wish to change or replace.
- Confirm the programme or the setting to be changed.

Another menu opens, enabling you to select a new programme or change the parameters.

- Confirm with the *Save* sensor control.

Your selection is now active.

### Reducing the number of Favourite programmes

You can reduce the number of Favourite programmes by “deactivating” each one individually.

- Select the programme you wish to deactivate.
- Confirm the programme.
- Select <empty> from the list instead of a programme.

The selection in the ☆ Favourites and the selection in the Launderette, basic and Laundrette Logo control option is reduced.

Once a programme has been deactivated, ∅<empty> is displayed in its place. You can add a programme back in at any time.

### Changing the sequence of Favourite programmes

You can change the sequence of Favourite programmes by moving the programmes around.

- Touch the programme that you wish to move.

An orange border appears around the selected programme.

- Touch the programme with your finger and keep your finger pressed down.
- Drag the programme to the required place.

# Supervisor level

---

## Special programmes

You can put together five special residual moisture or time-controlled programmes and assign your own programme names.



First, enter the programme name.

- Select the special programme you want to change.

The **Save as** menu opens.

- Use the letters and symbols below the line to enter the name.

- Touch the **Save** sensor.

You can now enter the parameters for a  Res. moisture programme or  Timed drying.

The five special programmes are pre-programmed at the factory. You can change these special programmes.

The special programmes are added to the programme packages. Enter the name and settings of your special programme into the “Special programmes” table in the “Programme overview” chapter.

## Res. moisture programme

- Final residual moisture:
  - 6 % (dry) – 40 % (damp)
- Extra drying time:
  - 0–60 minutes
- Temperature (Process air):
  - cold – 70 °C
- Drum rotation, main direction:
  - 0–600 seconds
- Drum reversal:
  - 0–600 seconds
- Holding phase
  - Holding time:
    - 0–60 minutes
  - Holding temperature (Process air):
    - cold – 70 °C
- Cooling down temp. (Process air):
  - 40–55 °C
- Anti-crease
  - Drum rotation, main direction:
    - 0–500 seconds
  - Drum reversal:
    - 0–500 seconds
  - Pause:
    - 100–3000 seconds

## Timed drying

- Running time:
  - 1–120 minutes
- Temperature (Process air):
  - cold – 70 °C
- Drum rotation, main direction:
  - 0–600 seconds
- Drum reversal:
  - 0–600 seconds
- Cooling down temp. (Process air):
  - 40–55 °C

- Anti-crease
  - Drum rotation, main direction:  
0–500 seconds
  - Drum reversal:  
0–500 seconds
  - Pause:  
100–3000 seconds

## Sort programmes

Programmes can be moved within the programme list and in the Favourites list.

- Factory default: Off
- On
- Select the “On” option.
- Exit Supervisor level.
- Select  Programmes.
- Touch the programme that you wish to move.

An orange border appears around the selected programme.

- Touch the programme with your finger and keep your finger pressed down.
- Drag the programme to the required place.

## Prog. colour allocation

You can assign a specific colour to a favourite programme. In the list of favourites, each favourite programme is given a coloured frame, which can be adjusted.

- Factory default: Off
- On

# Supervisor level

---

## Process technology

### Anti-crease

At the end of the programme, the drum will continue to rotate at intervals if the laundry is not removed immediately.

Changing this setting leads to increased energy consumption.

The setting (⚙️) can be switched off or a time between 1 and 12 hours can be selected.

Factory default: Off

### Drying levels

Changing this setting leads to increased energy consumption.

You can alter the drying levels for the *Cottons*, *Minimum iron* and *Automatic plus* programmes.

It can be set to one of 7 different levels.

Factory default: normal

The *Machine iron* drying level in the *Cottons* programme can be individually adapted.

You can change the residual moisture in this programme to one of 11 levels from 16 % (more dry) to 26 % (more moist).

Factory default: 20 %

## Further cooling

Before the end of the programme, the temperature of the dried laundry is monitored and the cooling phase at the end of the programme is extended if necessary.

Changing this setting leads to increased energy consumption.

- Factory default: Off
- On

## Cooling down temperature

The laundry will be cooled down automatically before the end of the programme. The automatic cooling-down phase which takes place before the end of a programme can be set at a cooler level for all programmes. This means that the cooling phase is extended.

Changing this setting leads to increased energy consumption.

The setting can be changed from 40 °C–55 °C.

Factory default: 55 °C

## Service

### Clean out the airways

The tumble dryer's electronics calculate the degree at which fluff or detergent residue in the fluff filters and air ducts are impairing performance. A message to check the contamination appears. You can decide at what level of fluff this reminder should be emitted.

This prompt, which you can configure, is displayed: Clean the fluff filter and rinse the plinth filter.

- Off  
The reminder does not appear. However, if there is a very severe blockage in the ducting, the programme will be cancelled and the reminder will appear in the display regardless of this option.
- Heavy  
The reminder only appears when there is a heavy build-up of fluff.
- Factory default: normal
- Sensitive  
The reminder appears when there is only a small build-up of fluff.

### Service interval

The tumble dryer shows a custom message at a selected interval to prompt you to undertake specific maintenance tasks.

Three different messages can be created: 1/2/3. Each message is created in the language and alphabet of the current supervisor language.

Your message is displayed at the end of the programme and can be acknowledged with OK. The same message appears at the end of the next programme.

### Settings

This setting allows you to determine the interval (by hours or date) at which the message appears.

- Factory default: Off
- By time  
You can then select a time interval from 1–9999 hours.
- By date  
You can enter a date.

### Message text

Enter your message for your planned maintenance work. You can edit one, two or all three of the 1/2/3 messages.

### Reset display

The message appears until the display is permanently reset. The message then appears again once the next interval is reached.

# Supervisor level

---

## External applications

### Peak load signal

External hardware is connected via the Miele XCI box.

The peak-load negotiation function enables the tumble dryer to be connected to an energy management system. When a signal is registered, the tumble dryer's heater is switched off for a short period or the appliance is prevented from being switched on. The tumble dryer may only be operated with a peak-load system if this system is connected to the tumble dryer via the Miele XCI box.

- Factory default: no function
- Peak load with 230 V
- Peak load with 0 V
- COM module

### Peak load prevention

With this function, the application of a hygiene programme is not amended when a peak load signal is in place. The heater stays switched on.

- Factory default: Off
- On

## COM module selection

This tumble dryer is equipped with an integrated WiFi module. However, the dryer can also be equipped with an external module.

- Off
- Internal module (factory default)  
The internal WiFi module is used.
- External module  
An XKM module or RS232 module is inserted into the module slot.

### Availability of Miele digital products

The ability of Miele digital products depends on the availability of the services in your country.

The different services are not available in all countries.

For information about availability, please visit [www.miele.com](http://www.miele.com).



## WiFi / LAN

Control the networking of your tumble dryer.

- Setup  
This message only appears if the tumble dryer has not yet been connected to a WiFi network.
- Deactivate (visible when the network is activated)  
The network remains set up; the WiFi function is switched off.
- Activate (visible when the network is deactivated)  
The WiFi function is reactivated.
- Connection status (visible when the network is activated)  
The following values are displayed:
  - The quality of WiFi reception
  - The network name
  - The IP address
- Reset (visible when set up)  
Resets the WiFi login (network) to immediately re-establish a new connection.
- Reset (visible if already set up)  
The network is no longer set up. A new connection has to be established in order to use the network again.
  - The WiFi is switched off
  - The WiFi connection will be reset to the factory default setting

## WiFi setup

There are 2 possible connection methods.

### *Via WPS*

- Activate the WPS function on your router within 2 minutes.

**Tip:** If the connection has not been set up when the timeout has finished counting down, repeat the process.

### *Via Soft AP*

- Activate the function with the Miele app on your smart device within 10 minutes.

**Tip:** The app will guide you through the remaining steps.

# Supervisor level

---

## Network time

The date and time can be synchronised over the network.

- Off

The date and time are not synchronised over the network.

- As master

The machines are in a network but are not connected to the Internet. A machine is declared as the master and sends data to the *slave* devices.

- As slave

The machines are in a network and are connected to the Internet. All machines are configured as *slaves*. Data is synchronised over the Internet.

## Remote

Programmes are selected on an external terminal.

- Factory default: On

- Off

## Remote Update

The RemoteUpdate function is used for updating the software in your tumble dryer.

Factory default: on

If you do not install a RemoteUpdate, you can continue to use your tumble dryer in the usual way. However, Miele recommends installing remote updates.

### Activation

The RemoteUpdate menu option is only displayed and can only be selected if you have added your tumble dryer to your WiFi network.

Miele's RemoteUpdate function can only be used if the tumble dryer is connected to a WiFi network and you have an account in the Miele Professional app. The tumble dryer must be registered in the app.

See the Miele Professional app for terms and conditions of use.

Some software updates can only be carried out by Miele Service.

### Running a RemoteUpdate

If a RemoteUpdate is available for your washing machine, it will be displayed automatically when the Operator level is open.

You can choose to start the RemoteUpdate immediately or wait until later. If you select "Start later", the prompt to run the RemoteUpdate will be displayed again the next time you switch on your washing machine.

The RemoteUpdate can take a few minutes.

Please note the following information about the RemoteUpdate function:

- You will only receive a message when a RemoteUpdate is available.
- Once a RemoteUpdate has been installed, it cannot be undone.
- Do not switch off the tumble dryer during a RemoteUpdate. Otherwise, the RemoteUpdate will be aborted and will not be installed.

### SmartGrid

The SmartGrid setting is only visible if a network has been set up and activated. You can use this function to integrate your tumble dryer into building energy management systems.

# Supervisor level

---

## Machine parameters

### Legal information

#### Open source licences

You can view information here.

### **Copyrights and licences for operator and control software**

Miele uses their own and third party software which is not subject to any so-called Open Source Licence for the operation and control of the appliance. This software/these software components are protected by copyright. The copyright powers of Miele and third parties have to be respected.

Furthermore, this appliance contains software components which are distributed under Open Source licence conditions. Please refer to the menu item Settings | Appliance parameters | Legal information | Open source licences in the appliance for the Open Source components contained therein, together with the corresponding copyright notices, copies of the licencing conditions valid at the time, and any further information. The liability and warranty provisions of the Open Source licence terms and conditions as stated therein apply only in relation to the respective rights holders.

## Payment system

The XCI-AD or XCI box accessory unit is required to connect a payment system.

### Setting for payment systems

If you wish to change the settings after the commissioning process, please contact Miele Service.

You would like to connect a payment system.

#### - No payment system

The following settings are skipped and initial commissioning can be completed.

#### - Programme operation

The machine is operated using a coin box. The user purchases a programme.

#### - Timed operation

The tumble dryer is coin-operated using a time meter. The user purchases a time-controlled programme.

#### - Timed operation with pulse counter

For payment systems where the usage time is increased each time a coin is inserted.

#### - COM module

The machine is operated by a central control unit

## F-back signal to pay system

Setting the feedback signal for the coin box.

#### - Factory default: Off

#### - End of programme

The feedback signal is sent at the end of the programme.

#### - Release of the start button

The feedback signal is sent when the start button is released.

#### - Start and end of programme

The feedback signal is sent at the start and end of the programme.

#### - Programme running

The feedback signal is sent constantly between the start and end of the programme.

#### - Process air temperature

The feedback signal is sent dependent on the temperature if the temperature of the process air is equal to or higher than the set temperature.

# Supervisor level

---

## Payment system lock

To avoid tampering, a programme lock can be set up in programme operation. If the lock is applied, the programme is interrupted and payment credit is lost as soon as the door is opened.

The time for the lock to be applied can be adjusted to enable laundry to be added.

- Factory default: off
- As soon as the programme starts
- 1–5 minutes after the start of the programme

## Clear paid signal

The “Paid” signal in coin box mode can be applied until the end of the programme or discarded if the programme is not started after 5 minutes.

- Factory default: Off
- On

## Debounce time

In coin mode, the debounce time for the minimum payment signal that must be applied can be adjusted.

- Factory setting: Short  
For coin boxes where the falling coin generates the paid pulse.
- Long  
For central control units on a 230 V basis.

## Pay system override time

Setting the transition signal for the coin box. Security time margin to prevent the coin box being tampered with.

The override time can be set or switched off in increments of one minute from 30 minutes up to four hours.

If the programme does not end within the override time, the coin box setting is reset. The programme is cancelled.

Factory default: 3 hours

## Duration Cool air

The running time can be adjusted.

A time of between 10 minutes and 2 hours can be set in five-minute intervals.

Factory default: 2 hours

## Duration Warm air

The running time can be adjusted.

A time of between 20 minutes and 2 hours can be set in five-minute intervals.

Factory default: 2 hours

## FOC programmes

In coin mode, you can decide whether the *Timed drying cool air* programme can be used for free.

- Factory default: Off
- On









## **United Kingdom**

Miele Co. Ltd., Fairacres, Marcham Road  
Abingdon, Oxon, OX14 1TW  
Professional Sales, Tel: 0845 365 6608  
E-mail: professional@miele.co.uk  
Internet: www.miele.co.uk/professional

## **Australia**

Miele Australia Pty. Ltd.  
ACN 005 635 398, ABN 96 005 635 398  
Level 4, 141 Camberwell Road, Hawthorn East, VIC 3123  
Tel: 1300 731 411  
Internet: www.miele.com.au/professional  
E-mail: professional.sales@miele.com.au

## **China Mainland**

Miele Electrical Appliances Co., Ltd.  
1-3 Floor, No. 82 Shi Men Yi Road  
Jing' an District, 200040 Shanghai, PRC  
Tel: +86 21 6157 3500, Fax: +86 21 6157 3511  
E-mail: info@miele.cn, Internet: www.miele.cn

## **Hong Kong, China**

Miele (Hong Kong) Ltd.  
41/F - 4101, Manhattan Place  
23 Wang Tai Road, Kowloon Bay, Hong Kong  
Tel: (852) 2610 1025, Fax: (852) 3579 1404  
Email: customerservices@miele.com.hk  
Website: www.miele.hk

## **India**

Miele India Pvt. Ltd.  
1st Floor, Copia Corporate Suites,  
Commercial Plot 9, Mathura Road, Jasola,  
New Delhi - 110025  
E-mail: customercare@miele.in, Website: www.miele.in

## **Ireland**

Miele Ireland Ltd.  
2024 Bianconi Ave., Citywest Business Campus,  
Dublin 24  
Tel: (01) 461 07 10, Fax: (01) 461 07 97  
E-Mail: info@miele.ie, Internet: www.miele.ie

## **Malaysia**

Miele Sdn Bhd  
Suite 12-2, Level 12  
Menara Sapura Kencana Petroleum  
Solaris Dutamas No. 1, Jalan Dutamas 1  
50480 Kuala Lumpur, Malaysia  
Phone: +603-6209-0288  
Fax: +603-6205-3768

## **New Zealand**

Miele New Zealand Limited  
IRD 98 463 631  
8 College Hill  
Freemans Bay, Auckland 1011, NZ  
Tel: 0800 464 353  
Internet: www.miele.com.au/professional  
E-mail: professional.sales@miele.com.au

## **Singapore**

Miele Pte. Ltd.  
29 Media Circle, #11-04 ALICE@Mediapolis  
Singapore 138565  
Tel: +65 6735 1191, Fax: +65 6735 1161  
E-Mail: info@miele.com.sg  
Internet: www.miele.sg

## **South Africa**

Miele (Pty) Ltd  
63 Peter Place, Bryanston 2194  
P.O. Box 69434, Bryanston 2021  
Tel: (011) 875 9000, Fax: (011) 875 9035  
E-mail: info@miele.co.za  
Internet: www.miele.co.za

## **United Arab Emirates**

Miele Appliances Ltd.  
Showroom 1, Eiffel 1 Building  
Sheikh Zayed Road, Umm Al Sheif  
P.O. Box 114782 - Dubai  
Tel. +971 4 3044 999, Fax. +971 4 3418 852  
800-MIELE (64353)  
E-Mail: info@miele.ae  
Website: www.miele.ae



Manufacturer: Miele & Cie. KG, Carl-Miele-Straße 29, 33332 Gütersloh, Germany

PDR 908 HP

en-GB

M.-Nr. 12 450 770 / 01