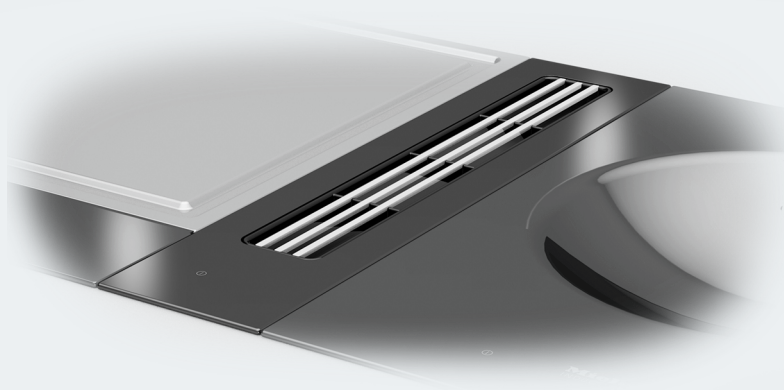


Operating and installation instructions SmartLine downdraft extractor



To avoid the risk of accidents or damage to the appliance it is **essential** to read these instructions before it is installed and used for the first time.

Warning and Safety instructions	5
Caring for the environment	15
Guide to the appliance	16
Downdraft extractor	16
Controls and display	17
Accessories supplied	18
How it works	19
Tips on saving energy	20
Cleaning the SmartLine element for the first time	21
Operation	22
Switching the downdraft extractor on	22
Setting/changing the power level	22
Switching the downdraft extractor off	22
Run-on time	22
Cleaning and care	23
Cleaning the ceramic surface	24
Cleaning the drip tray	24
Grease filter/extraction grille	25
Problem solving guide	27
Optional accessories	28
After sales service	29
Contact in case of malfunction	29
Data plate	29
Guarantee	29
Installation	30
Safety instructions for installation	30
Installation examples	31
Installation notes – surface-mounted	32
Worktop cutout – surface-mounted	34
Spacer bars – surface-mounted	37
Installation dimensions – Surface-mounted	38
Air duct dimensions – surface-mounted – worktop depth 600 mm	39
Air duct dimensions – surface-mounted – worktop depth greater than 600 mm	43
Installation – surface-mounted	47
Installation notes – flush-fit	54

Contents

Worktop cutout – flush-fit.....	56
Spacer bars – flush-fit	59
Installation dimensions – Flush-fit	60
Air duct dimensions – flush-fit – worktop depth 600 mm	61
Air duct dimensions – flush-fit – worktop depth greater than 600 mm	65
Installation – flush-fit	69
Ducting	76
Electrical connection	77

Warning and Safety instructions

This downdraft extractor complies with all relevant safety requirements. Inappropriate use can, however, lead to personal injury and material damage.

Please read these operating and installation instructions carefully before using the downdraft extractor for the first time. They contain important information on safety, installation, use and maintenance. This prevents both personal injury and damage to the downdraft extractor.

In accordance with standard IEC 60335-1, Miele expressly and strongly advises that you read and follow the instructions in the chapter on installing the downdraft extractor as well as the safety instructions and warnings.

Miele cannot be held liable for injury or damage caused by non-compliance with these instructions.

Keep these instructions in a safe place and pass them on to any future owner.

For safe operation, please also refer to the operating and installation instructions for the SmartLine elements and hob units installed adjacent to the downdraft extractor.

Warning and Safety instructions

Correct application

- ▶ This downdraft extractor is intended for use in domestic households and similar working and residential environments.
- ▶ The downdraft extractor is not suitable for outdoor use.
- ▶ It must only be used as a domestic appliance to extract vapours and remove odours from cooking.
All other types of use are not permitted.
- ▶ This downdraft extractor can only be used by people with reduced physical, sensory or mental capabilities or lack of experience and knowledge if they are supervised whilst using it.
They may only use the downdraft extractor unsupervised if they have been shown how to use it in a safe manner. They must be able to recognise and understand the consequences of incorrect operation.

Safety with children

- ▶ Children under 8 years of age must be kept away from the countertop extractor unless they are constantly supervised.
- ▶ Children aged 8 and older may only use the countertop extractor without supervision if they have been shown how to use it in a safe manner. Children must be able to understand and recognise the possible dangers caused by incorrect operation.
- ▶ Children must not be allowed to clean or maintain the downdraft extractor unsupervised.
- ▶ Children should be supervised in the vicinity of the downdraft extractor. Do not allow them to play with the downdraft extractor.
- ▶ Danger of suffocation. Packaging, e.g. plastic wrappings, must be kept out of the reach of babies and children. Whilst playing, children could become entangled in packaging or pull it over their head and suffocate.

Warning and Safety instructions

Technical safety

- ▶ Unauthorised installation, maintenance and repairs can cause considerable danger for the user. Installation, maintenance and repairs must only be carried out by your Miele dealer.
- ▶ The downdraft extractor must only be installed and operated in combination with those SmartLine elements and hob units specified by Miele.
- ▶ Damage to the downdraft extractor can compromise your safety. Check it for visible signs of damage. Do not use a damaged downdraft extractor.
- ▶ Temporary or permanent operation on an autonomous power supply system or a power supply system that is not synchronised with the mains power supply (e.g. island networks, back-up systems) is possible. A prerequisite for operation is that the power supply system complies with the specifications of EN 50160 or an equivalent standard.

The function and operation of the protective measures provided in the domestic electrical installation and in this Miele product must also be maintained in isolated operation or in operation that is not synchronised with the mains power supply, or these measures must be replaced by equivalent measures in the installation. As described, for example, in the current version of BS OHSAS 18001–2 ISO 45001.
- ▶ The electrical safety of the downdraft extractor can only be guaranteed when continuity is complete between it and an effective earthing system. It is most important that this basic safety requirement is present and tested regularly. If in doubt, the electrical installation should be checked by a qualified electrician.

Warning and Safety instructions

- ▶ Before connecting the downdraft extractor to the mains supply, ensure that the connection data on the data plate (voltage and frequency) match the mains electricity supply. This data must correspond in order to avoid the risk of damage to the downdraft extractor.
Compare this data before connecting the appliance to the mains. Consult a qualified electrician if in any doubt.
- ▶ Multi-socket adapters and extension leads do not guarantee the required safety of the appliance (fire hazard). Do not use these to connect the downdraft extractor to the mains electricity supply.
- ▶ For safety reasons, this downdraft extractor may only be used after it has been built in.
- ▶ This downdraft extractor must not be installed and operated in mobile installations (e.g. on a ship).
- ▶ Any contact with live connections or tampering with the electrical or mechanical components of the downdraft extractor will endanger your safety and may lead to appliance malfunctions.
Only open the casing as described in the installation instructions and in the “Cleaning and care” section of this booklet. Under no circumstances should any other parts of the casing be opened.
- ▶ The manufacturer's warranty will be invalidated if the downdraft extractor is not repaired by a Miele authorised technician.
- ▶ Miele can only guarantee the safety of the appliance when genuine original Miele replacement parts are used. Faulty components must only be replaced by Miele spare parts.
- ▶ The downdraft extractor is not intended for use with an external timer switch or a remote control system.
- ▶ If the plug is removed from the connection cable or if the cable is supplied without a plug, the downdraft extractor must be connected to the electrical supply by a suitably qualified electrician.

Warning and Safety instructions

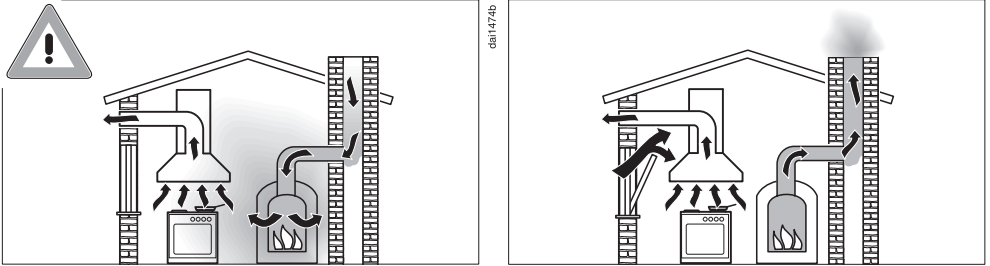
▶ If the mains connection cable is damaged, it must be replaced with a special mains connection cable by a qualified electrician (see “Electrical connection” in the “Installation” chapter).

▶ During installation, maintenance and repair work, the downdraft extractor must be completely disconnected from the mains electricity supply. It is only completely isolated from the electricity supply when:

- the mains fuse has been disconnected or
- the screw-out fuses have been fully unscrewed or
- the plug (if present) is removed from the socket. To do this, pull the plug not the mains connection cable.

Warning and Safety instructions

Using at the same time as other heating appliances that depend on the air from the room



Danger of toxic fumes!

Great care should be taken when using the downdraft extractor in the same room or the same area of the house as another heating appliance that depends on the air from the room.

Such heating appliances draw in air from the room and duct exhaust gases out through a chimney or extraction ducting. They include gas, oil, wood and coal-fired boilers and heaters, continuous flow or other water heaters, gas hobs and ovens.

The downdraft extractor draws in air from the kitchen and from neighbouring rooms. This applies to the following modes of operation:

- extraction mode,
- recirculation mode with a recirculation box installed outside the room.

If there is insufficient air, an underpressure will occur. The heating appliance may be starved of oxygen. This impairs combustion. Harmful gases could be drawn from the chimney or extraction ducting back into the room.

This could have potentially fatal consequences!

Warning and Safety instructions

In order to ensure safe operation and to prevent gases given off by the heating appliance from being drawn back into the room, when the downdraft extractor and the heater are both operated simultaneously, an underpressure in the room of 0.04 mbar (4 Pa) is the maximum permissible.

Sufficient ventilation can be maintained by air inlets which cannot be blocked, e.g. in windows, doors and outside wall vents. The diameter of the inlet openings must enable sufficient ventilation. A ventilation brick alone is not generally sufficient to ensure safe ventilation.

The overall ventilation condition of the dwelling must be taken into account. If in any doubt, the advice of a competent builder, or for gas, a qualified gas fitter should be sought.

If the downdraft extractor is being operated in recirculation mode, where the air is directed back into the room in which it is located, operating a heating appliance which depends on the room air at the same time is not hazardous.

Correct use

- ▶ Open flames are a fire hazard.

Never use an open flame beside the downdraft extractor. To avoid the danger of fire, do not flambé or grill over an open flame. When switched on, the downdraft extractor could draw flames into the filter. Fat deposits could ignite, presenting a fire hazard.

- ▶ Overheated oil and fat can ignite, causing fire damage to the downdraft extractor.

When cooking with oil or fat, chip pans and deep fat fryers, etc, do not leave the pots and pans unattended. Similarly, never leave an open grill unattended when grilling.

- ▶ Deposits of grease and dirt will prevent the downdraft extractor from working properly.

Do not use the downdraft extractor without the grease filters in place. Otherwise cooking vapours will not be cleaned.

- ▶ Hot cooking vapours during cooking can cause the downdraft extractor to get hot.

Do not touch the casing or the grease filters until the downdraft extractor has cooled down.

- ▶ Do not use the downdraft extractor for resting objects on.

- ▶ Liquids can damage the downdraft extractor if they get into it. Keep liquids away from the downdraft extractor.

- ▶ Light objects can be drawn into the downdraft extractor and impair its operation.

Do not place any light objects (e.g. paper towels) within close proximity of the downdraft extractor.

- ▶ If you are operating a gas cooking element directly next to the downdraft extractor, the FlameGuard must be placed between the downdraft extractor and the element.

Warning and Safety instructions

Cleaning and care

▶ The steam from a steam cleaning appliance could reach live electrical components and cause a short circuit.

Do not use a steam cleaner to clean the downdraft extractor.

▶ There is a risk of fire if the cooker hood is not cleaned as described in these operating instructions.

▶ Miele will guarantee to supply functional spare parts for a minimum of 10 years and up to 15 years following the discontinuation of your CombiSet.

Accessories

▶ Only use genuine original Miele accessories and spare parts with this appliance. Using accessories or spare parts from other manufacturers will invalidate the guarantee, and Miele cannot accept liability.

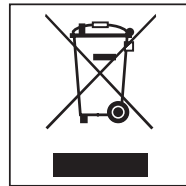
Disposing of the packaging material

The packaging material is used for handling and protects the appliance from transport damage. The packaging material used is selected from materials which are environmentally friendly for disposal and can generally be recycled.

Recycling the packaging material reduces the use of raw materials. Use material-specific collection points for valuable materials and take advantage of return options. Your Miele dealer will take the packaging material away.

Disposal of your old appliance

Electrical and electronic appliances often contain valuable materials. They also contain materials which, if handled or disposed of incorrectly, could be potentially hazardous to human health and to the environment. They are, however, essential for the correct functioning of your appliance. Please do not therefore dispose of it with your household waste.

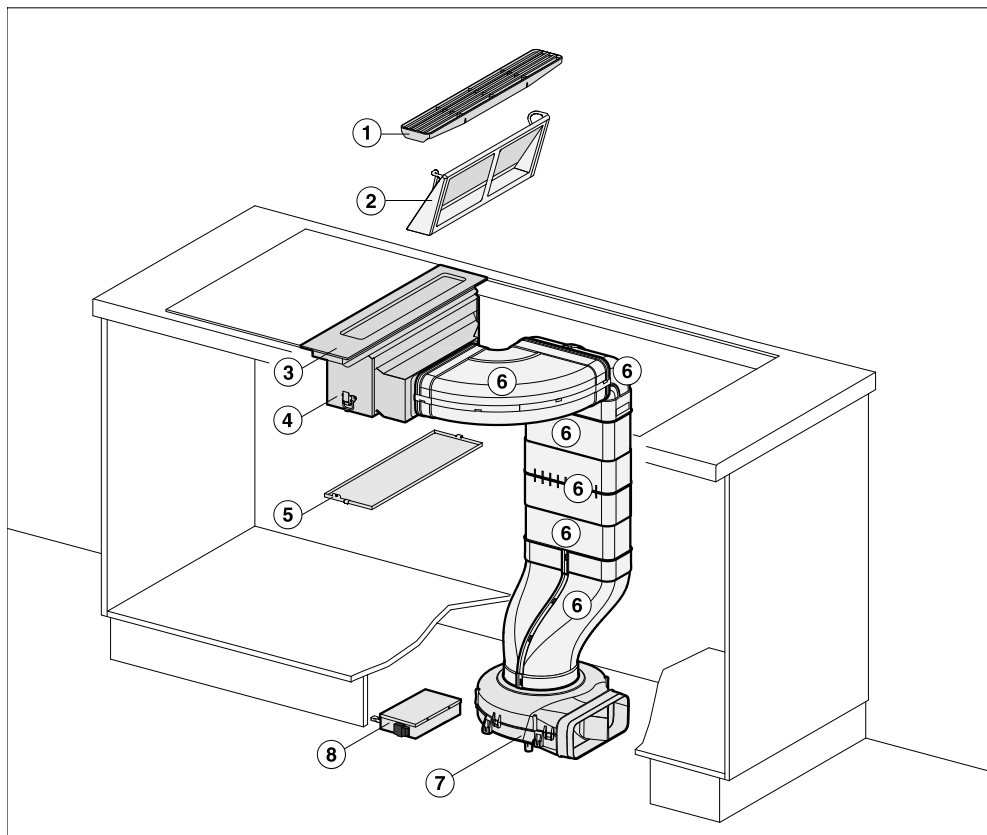


Please dispose of it at your local community waste collection / recycling centre or contact your Miele dealer for advice.

Ensure that it presents no danger to children while being stored for disposal.

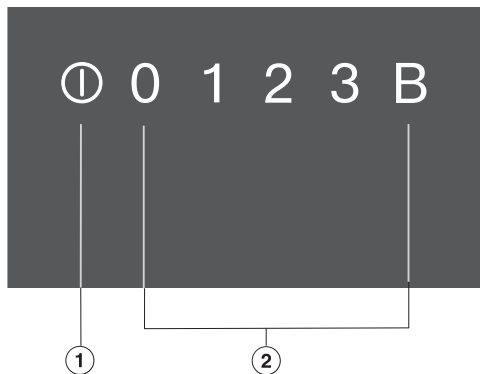
Guide to the appliance

Downdraft extractor



- ① Extraction grille
- ② Grease filter
- ③ Cover with control unit
- ④ Casing
- ⑤ Removable drip tray
- ⑥ Air duct
(supplied as accessory)
- ⑦ Fan
In the plinth on the floor
- ⑧ E-box

Controls and display



- ① Countertop extractor On/Off
- ② Numerical display
To set a power level

Guide to the appliance

Accessories supplied

The accessories supplied with your appliance as well as a range of optional ones are available to order from your Miele dealer (see „Optional accessories“).

Air duct

Flat ducting system for routing air from the casing to the fan.

Extraction mode

The air is drawn in and cleaned by the grease filter and directed outside.

Recirculation mode

(DUU 1000(-1) conversion kit required)

The air is drawn in and cleaned by the grease filter. The air is then directed into the recirculation box where it is also cleaned by the charcoal filters. The cleaned air is then recirculated back into the kitchen.

Tips on saving energy

This downdraft extractor operates very efficiently and economically. The following will help you to save even more energy when using it:

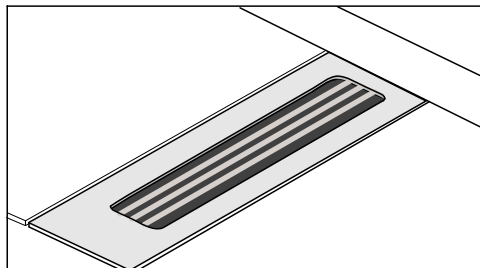
- It is important to ensure that the kitchen is well ventilated during operation. In extraction mode if there is insufficient air flow, the downdraft extractor cannot operate efficiently and this causes increased operating noise levels.
- Always cook with the lowest possible setting. This produces fewer cooking vapours, so you can use a lower power level and therefore benefit from reduced energy consumption.
- Check the selected power level on the downdraft extractor. A low power level is usually sufficient. Only use the Booster setting when necessary.
- When a large volume of cooking vapours are being produced, switch to a high power level in good time. This is more efficient than operating the downdraft extractor for longer to try to capture cooking vapours which have already been distributed throughout the kitchen.
- Switch the downdraft extractor off after cooking.
- Clean or replace the filters at regular intervals. Heavily soiled filters reduce performance, increase the risk of fire and are unhygienic.

Cleaning the SmartLine element for the first time

- Please stick the extra data plate for the appliance supplied with this documentation in the space provided in the “After sales service” section of this booklet.
- Remove any protective wrapping and stickers.
- Clean the ceramic surface with a damp cloth, and then wipe dry.

Operation

Switching the downdraft extractor on



- Insert the extraction grille.
- Touch the ① sensor control.

The sensor controls light up.

If no further entry is made, the downdraft extractor will switch itself off after a few seconds.

Setting/changing the power level

For light to heavy cooking vapours and odours, select from power levels **1** to **3**. For short periods of cooking food with intensive vapours and a strong aroma, e.g. when searing meat, select Booster setting **B**.

- Touch the desired power level.

Booster

The maximum duration for the Booster is 10 minutes.

- To switch it off early, set a different power level.

Switching the downdraft extractor off

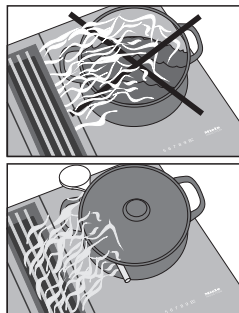
- Touch the ① sensor control.

The sensor controls go out.


If the downdraft extractor is not switched off, it will switch itself off 12 hours after the last automatic operation.

Run-on time

In order to rid kitchen air of steam and odours, the downdraft extractor continues to run for 5 minutes on the power level that was set last. The power level is gradually reduced during the run-on time. The current power level pulsates during the run-on time.




Tip: To help release vapours effectively with pans over 15 cm high, place a wooden spoon between the lid and the pot.

 Danger of burning due to hot surfaces.

The surfaces will be hot after cooking.

Switch the countertop extractor and the cooking elements off.

Allow the surfaces to cool down before cleaning the countertop extractor.

 Risk of damage due to moisture ingress.

The steam from a steam cleaning appliance could reach live electrical components and cause a short circuit.

Do not use a steam cleaner to clean the countertop extractor.

All surfaces could be discoloured or damaged if unsuitable cleaning agents are used. All surfaces are susceptible to scratching.

Remove all cleaning agent residues immediately.

Never use abrasive sponges or cleaning agents.

Allow the SmartLine element to cool down before cleaning.

- Clean the SmartLine element and accessories after each use.
- Dry the SmartLine element thoroughly after every cleaning to avoid limescale residue.


Unsuitable cleaning agents

To avoid damaging the surfaces of the appliance, do not use:

- washing-up liquid
- cleaning agents containing soda, alkalines, ammonia, acids or chlorides
- cleaning agents containing descaling agents
- stain and rust removers
- abrasive cleaning agents, e.g. powder cleaners and cream cleaners
- solvent-based cleaning agents
- dishwasher cleaner
- oven sprays
- glass cleaning agents
- hard, abrasive brushes or sponges (e.g. pot scourers) or sponges which have been previously used and still contain abrasive cleaning agents
- melamine eraser blocks

Cleaning and care

Cleaning the ceramic surface

 Risk of damage by pointed objects.

The seal between the SmartLine element and the worktop could suffer damage.

Do not use pointed objects for cleaning.

Not all soiling and residues can be removed using a solution of washing-up liquid. An invisible film can develop that can lead to discolouration of the glass ceramic surface. This discolouration cannot be removed.

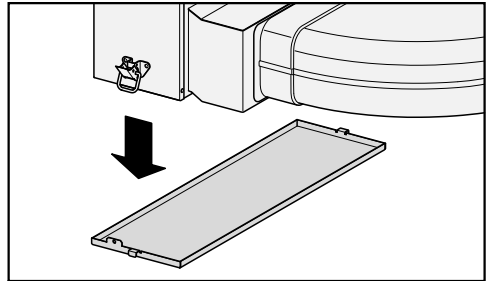
Clean the ceramic surface regularly with a proprietary ceramic glass cleaning agent.

- Remove any coarse soiling with a damp cloth and more stubborn soiling with a shielded scraper blade suitable for use on glass.
- Then clean the ceramic glass surface with the Miele ceramic and stainless steel hob cleaner (see “optional accessories”) or with a proprietary ceramic glass cleaner applied with kitchen paper or a clean cloth. Please follow the cleaning agent manufacturer's instructions.
- Clean the ceramic surface with a damp cloth, and then wipe dry. Ensure that all cleaning agent residues are removed.
- **Spots** caused by limescale and water residues can be removed using Miele's ceramic and stainless steel hob cleaner.

Cleaning the drip tray

Clean the drip tray if liquids have boiled over or spilled into the countertop extractor.

- Remove and clean the grease filter as described in the “Grease filter” section.



- Hold the drip tray and open the 2 clips (1 x front, 1 x rear). Carefully remove the drip tray from the casing, making sure it is kept horizontal.
- Pour out the liquid.
- Clean and dry the drip tray.
- Clean and dry the accessible inside of the countertop extractor.
- Fasten the drip tray back onto the casing.
- Replace the grease filter and the cover on top.

Grease filter/extraction grille

The extraction grille and the reusable metal grease filter in the vapour extraction fan collect solid matter from kitchen vapours (grease, dust, etc.) and therefore prevent soiling of the downdraft extractor. Accumulated grease solidifies over a longer period of time and makes cleaning more difficult. The grease filter should therefore be cleaned at least every 3–4 weeks.



Risk of fire due to soiled grease filter.

Grease collected in the grease filter can ignite.

Clean the grease filter regularly.

Removing the grease filter

- Remove the FlameGuard if necessary.
- Lift up the extraction grille.
- Carefully remove the grease filter. Ensure that you do not tilt the grease filter.
- Pour out any liquid which has collected at the bottom of the grease filter.

Cleaning the extraction grille and the grease filter by hand

- Clean the extraction grille and the grease filter with a soft nylon brush in a mild solution of hot water and a little washing-up liquid. Do not use concentrated washing-up liquid.

Cleaning the extraction grille and the grease filter in the dishwasher

- Place the extraction grille upright in the lower basket.
- Place the grease filter with its base facing upwards in the lower basket. Ensure the spray arm is not obstructed.
- Use a standard household dishwasher detergent.
- Select a dishwasher programme with a maximum wash temperature of:
 - 55 °C for the extraction grille
 - 65 °C for the grease filter

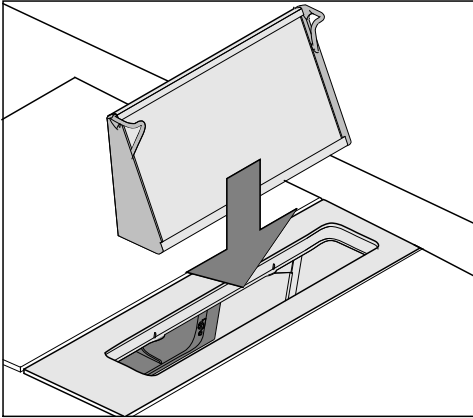
Depending on the detergent used, cleaning the grease filter in a dishwasher can cause permanent discolouration to the internal surfaces of the filter. However, this will not affect the functioning of the grease filter in any way.

Cleaning and care

Fitting the grease filter

- Fit the grease filter so that the straight side of the grease filter is on the side that connects to the air duct.

Example: connector for air duct on the left



Interior of the casing

- When removing the grease filter for cleaning, also clean off any accessible oil or fat build-up from the casing. Doing so will prevent a fire hazard.

Problem solving guide

Many malfunctions and faults that can occur in daily operation can be easily remedied. Time and money will be saved because a service call will not be needed.

The following guide may help you to find the reason for a malfunction or a fault, and to correct it.

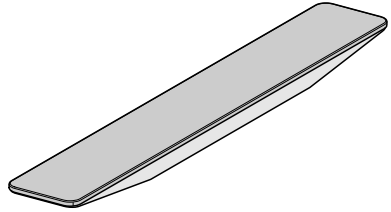
Issue	Cause and remedy
The power levels 1 to B light up one after the other.	An automatic reset is performed after an interruption to the power supply.
The SmartLine element cannot be switched on.	There is no power to the SmartLine element. ■ Check whether the mains fuse has tripped. Contact your Miele dealer (for the minimum fuse rating, see data plate).
	There may be a technical fault. ■ Disconnect the SmartLine element from the mains electricity supply for approx. 1 minute by – tripping the relevant mains fuse or screwing the fuse out completely, or – switching off the residual current protection device. ■ If, after resetting the trip switch in the mains fuse box or the residual current protection device, the SmartLine element will still not switch on, contact your Miele dealer.

Optional accessories

Miele offer a comprehensive range of useful accessories as well as cleaning and conditioning products for your Miele appliances.

These can be ordered from your Miele dealer (see end of this booklet for contact details).

FlameGuard



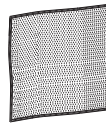
For installing between the downdraft extractor and a gas cooking element

Ceramic and stainless steel hob cleaner 250 ml



Removes heavy soiling, limescale deposits and aluminium residues

Microfibre cloth



Removes finger marks and light soiling

Contact in case of malfunction

In the event of any faults which you cannot remedy yourself, please contact your Miele dealer.

Contact details for your Miele dealer are given at the end of this document.

Please note that telephone calls may be monitored and recorded for training purposes and that a call-out charge will be applied to service visits where the problem could have been resolved as described in this booklet.

Please quote the model and serial number of your appliance when contacting your Miele dealer. This information can be found on the data plate.

Data plate

Stick the extra data plate supplied with the appliance here. Make sure that the model number matches the one specified on the back cover of this document.



Guarantee

For information on the appliance guarantee specific to your country please contact your Miele dealer. See end of this booklet for contact details.

Installation

Safety instructions for installation



Damage risk from incorrect installation.

Incorrect installation can cause damage to the SmartLine element.

The SmartLine element must only be installed by a qualified person.



Damage from falling objects.

Take care not to damage the SmartLine element when fitting wall units above it.

Fit the wall units before the SmartLine element.

▶ After installation, the mains connection cable of the SmartLine element must not come into contact with any moving kitchen component (e.g. a drawer) or be subject to mechanical loads which could damage it.

▶ Combination with gas appliances

Only Miele CS 7xxx gas appliances may be installed next to the downdraft extractor.

▶ Observe carefully the safety clearances listed on the following pages.

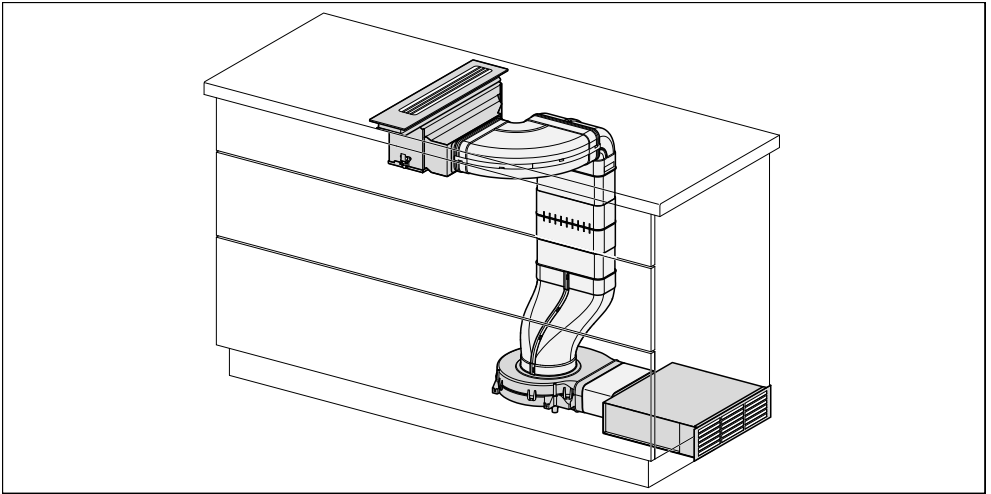
▶ Exhaust ducting must be of non-inflammable material. Suitable material is available from your Miele dealer.

▶ The appliance must not be connected to a chimney or flue which is in use. Neither should it be connected to ducting which ventilates rooms with fireplaces.

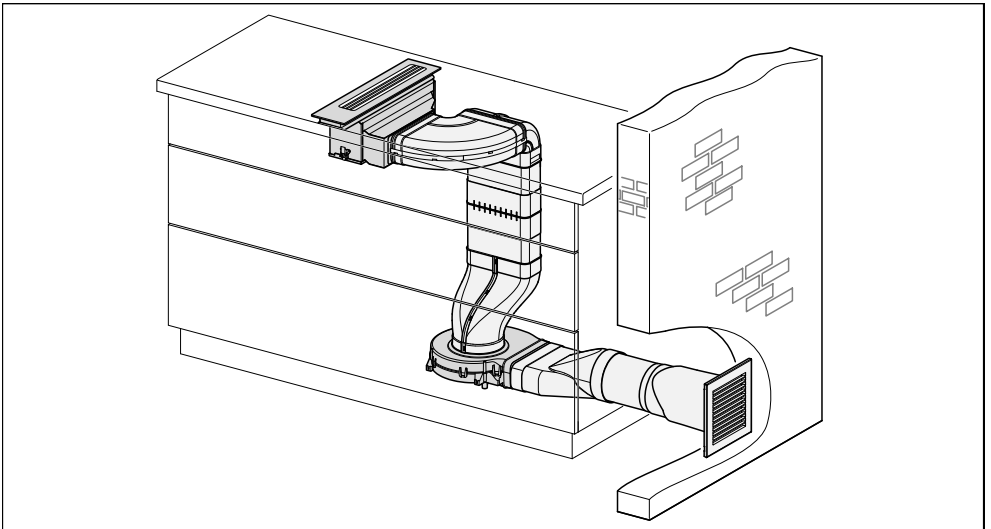
▶ If exhaust air is to be extracted into a chimney or ventilation duct no longer used for other purposes, seek professional advice.

Installation examples

Recirculation mode



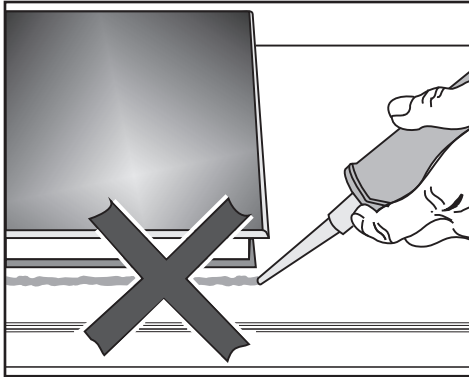
Extraction mode



Installation

Installation notes – surface-mounted

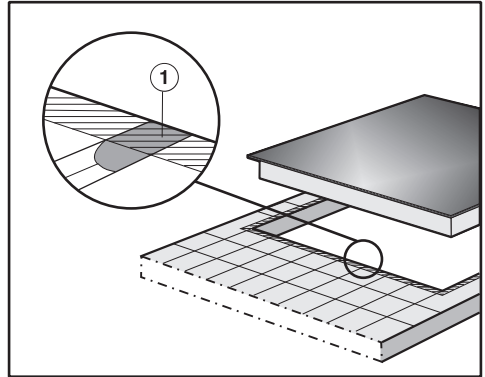
Sealing between the SmartLine Element and the worktop



The SmartLine element and worktop may be damaged if the element needs to be removed after it has been sealed with a sealant.

Do not use any sealant between the SmartLine element and the worktop. The seal under the edge of the top part of the appliance provides a sufficient seal for the worktop.

Tiled worktop



Grout lines ① and the hatched area underneath the SmartLine element frame must be smooth and even. If they are not, the SmartLine element will not sit flush with the worktop and the sealing strip underneath the top part of the appliance will not provide a good seal between the appliance and the worktop.

Sealing strip

Dismantling the SmartLine element for service purposes may damage the sealing strip underneath the edge of the SmartLine element.

Always replace the sealing strip before reinstalling the SmartLine element.

Installing several SmartLine elements

The gaps between the individual SmartLine elements are sealed with a silicone sealant that is heat-resistant to at least 160 °C. With flush-fit installation, the gap between the SmartLine element(s) and the worktop must also be sealed with a silicone sealant that is heat-resistant to at least 160 °C.

After installation, the SmartLine elements must be easily accessible from below, so that the bottom half of the casing can be removed for maintenance. If the SmartLine elements are not accessible from below, the sealant must be removed so that they can be removed.

Worktop depth

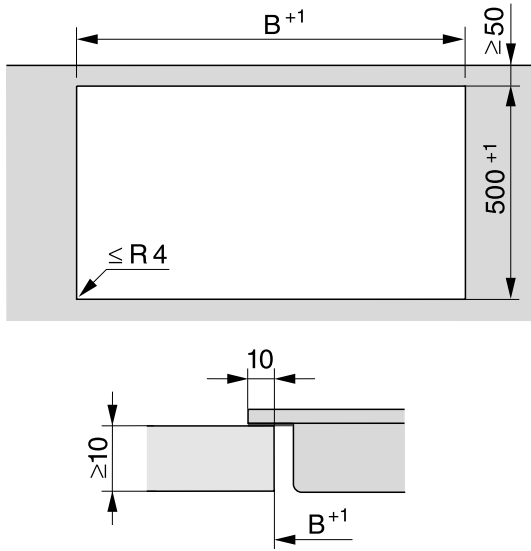
The downdraft extractor can be installed with the connector for the air duct on either the right or the left-hand side.

Minimum worktop depth for


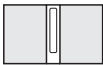
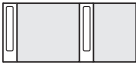
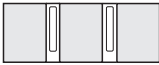



- Right connector 600 mm
- Left connector 665 mm

Installation

Worktop cutout – surface-mounted







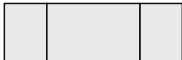



Installation with a countertop extractor

Combination examples	Number x width [mm]		Dimension B [mm]
	Cooking elements	Countertop extractor	
	1 x 378	1 x 120	481
	2 x 378	1 x 120	862
	1 x 378 1 x 620	2 x 120	1226
	3 x 378	2 x 120	1365
	2 x 378 1 x 620	2 x 120	1607
	4 x 378	2 x 120	1746
	1 x 620	2 x 120	845

Installation

Installation without a countertop extractor

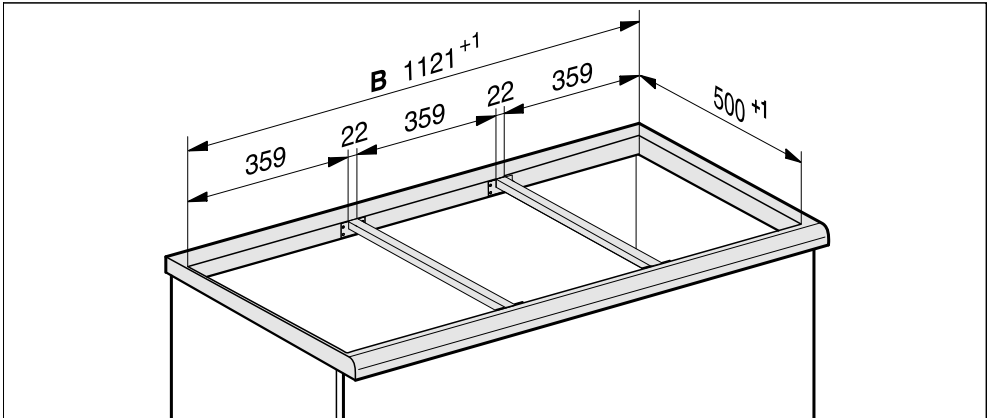
Combination examples	Number x width [mm] Cooking elements	Dimension B [mm]
	1 x 378	359
	2 x 378	740
	1 x 378 1 x 620	982
	3 x 378	1121
	2 x 378 1 x 620	1363
	4 x 378	1502
	2 x 378 1 x 800	1554
	2 x 378 1 x 936	1680

Spacer bars – surface-mounted

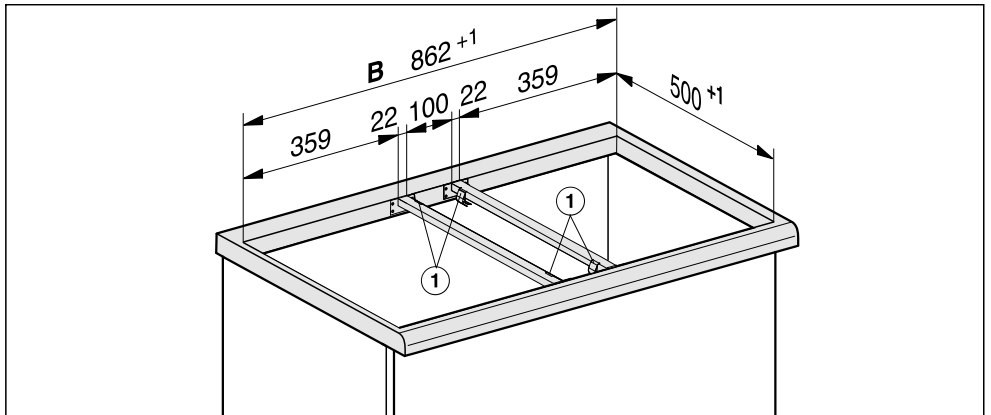
If you are installing several appliances, you must fit spacer bars between them.

The clips supplied with the spacer bars are only required for installing a CSDA 700x FL.

Installing 3 elements and 2 spacer bars



Spacer bars for the downdraft extractor – surface-mounted

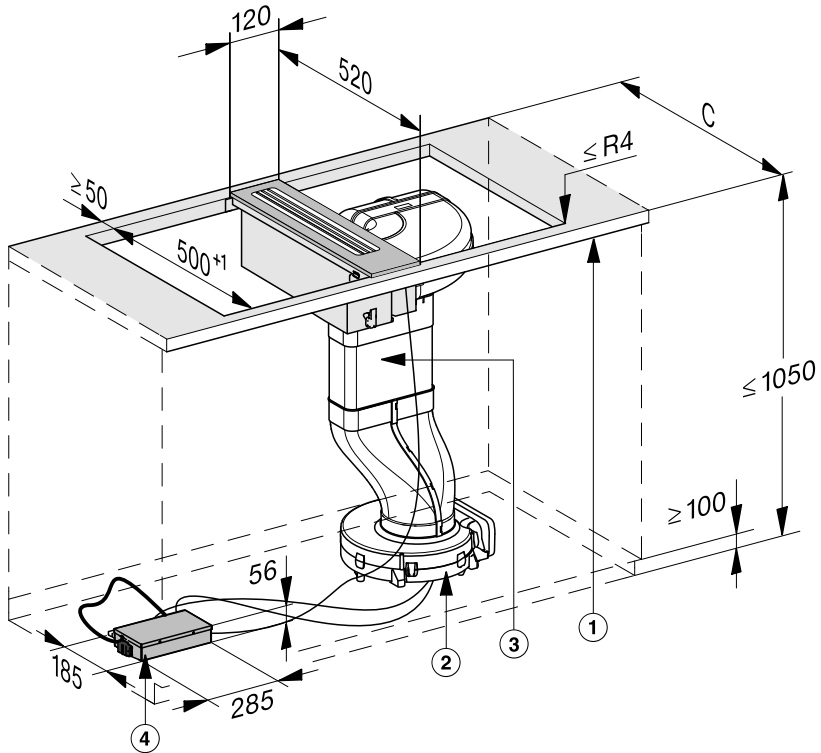


① Brackets

Installation

Installation dimensions – Surface-mounted

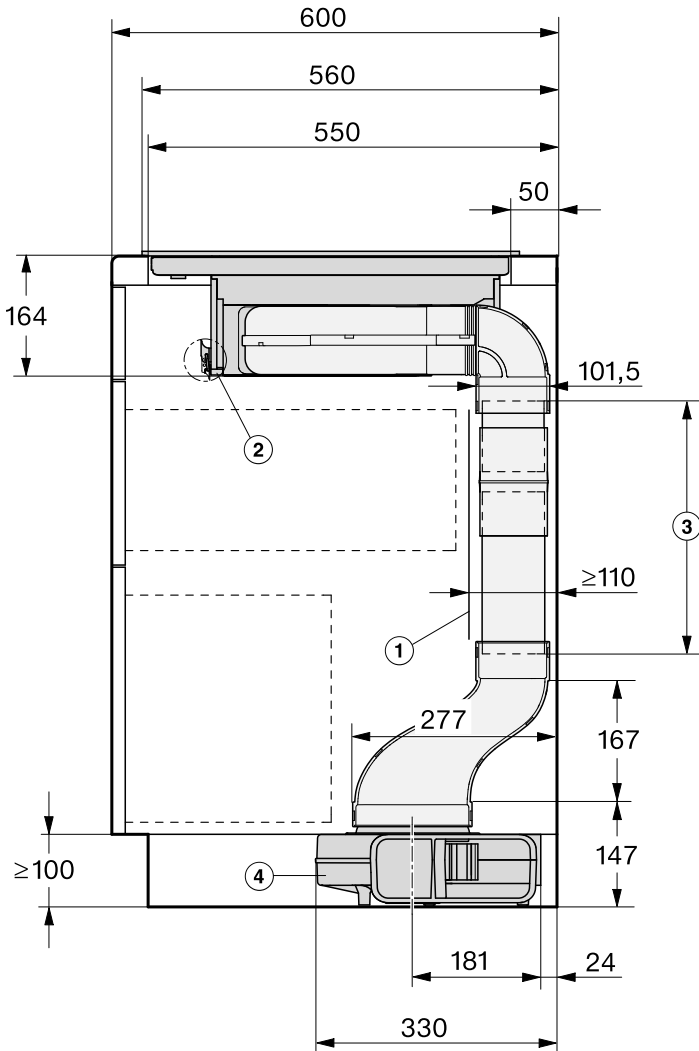
All dimensions are given in mm.



- ① Front
- ② Fan
In the plinth on the floor
- ③ Air duct
(supplied as accessory)
- ④ E-box

Air duct dimensions – surface-mounted – worktop depth 600 mm

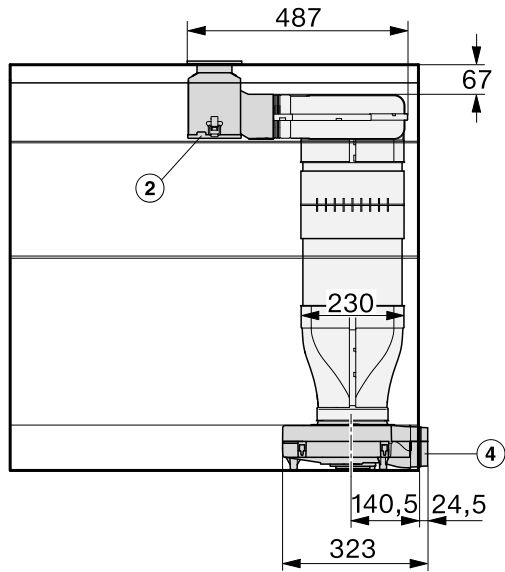
Side view



Installation

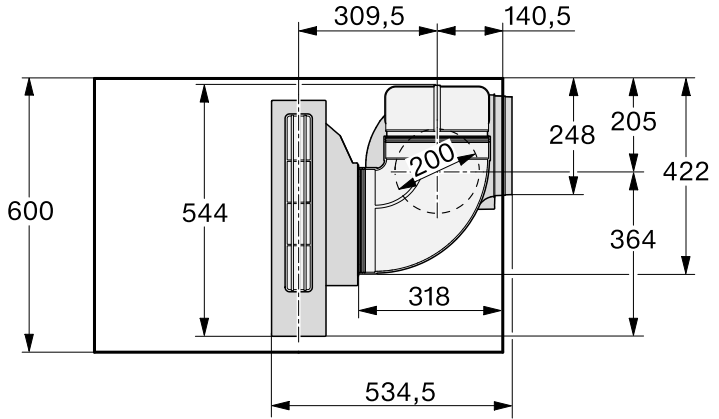
- ① For maintenance work it must be possible to remove the rear cabinet wall.
The cabinet wall and an adjoining room wall or a piece of furniture must be at least 110 mm apart to ensure sufficient room for the ducting.
- ② After installation the removable drip tray must be accessible.
2 quick-release catches have to be opened at the front and rear to remove the tray.
- ③ Duct length must be adapted to the height of the base unit.
Standard delivery 500 mm
Installing the length compensation, see chapter “Installation”, section “Installation – surface-mounted”.
- ④ Fan
In the plinth on the floor

Front view



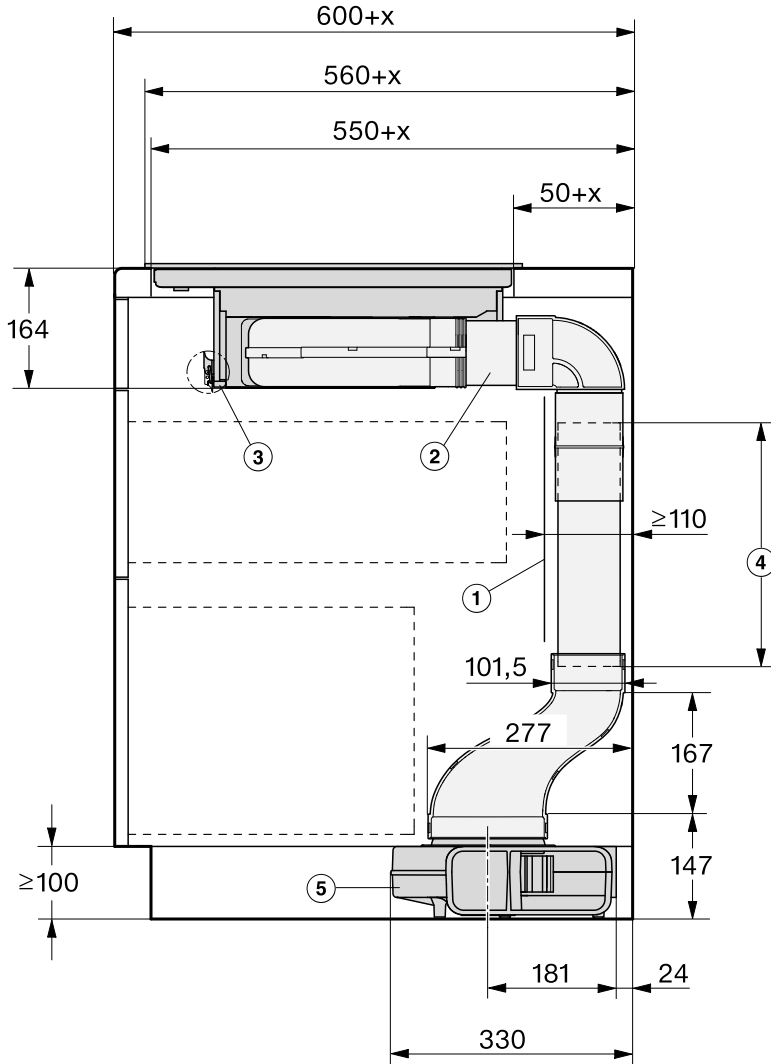
Installation

View from above



Air duct dimensions – surface-mounted – worktop depth greater than 600 mm

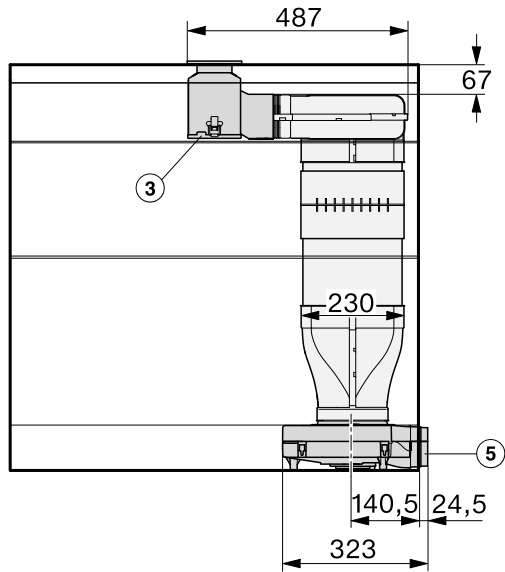
View from the side – right air duct connection



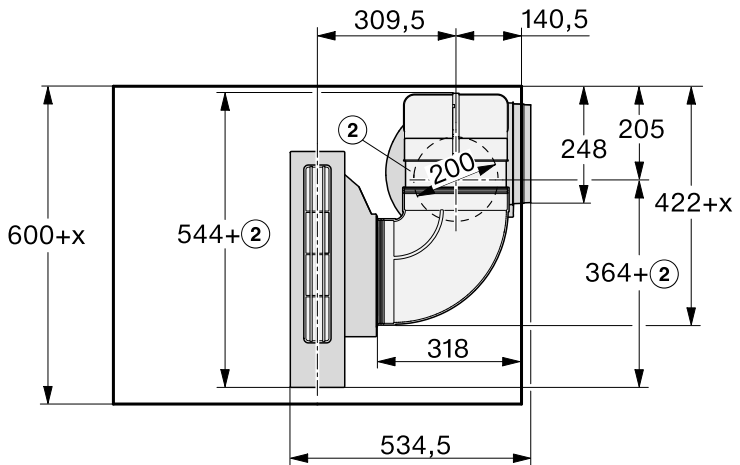
Installation

- ① For maintenance work it must be possible to remove the rear cabinet wall.
The cabinet wall and an adjoining room wall or a piece of furniture must be at least 110 mm apart to ensure sufficient room for the ducting.
 - ② Duct connector, adapted to the worktop depth
 - ③ After installation the removable drip tray must be accessible.
2 quick-release catches have to be opened at the front and rear to remove the tray.
 - ④ Duct length must be adapted to the height of the base unit.
Standard delivery 500 mm
Installing the length compensation, see chapter “Installation”, section “Installation – surface-mounted”.
 - ⑤ Fan
In the plinth on the floor
- x Dimension of which the worktop is deeper than 600 mm.

View from the front – right air duct connection



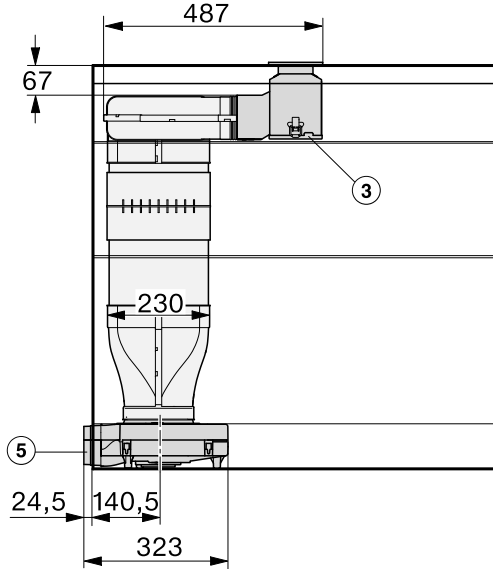
View from above – right air duct connection



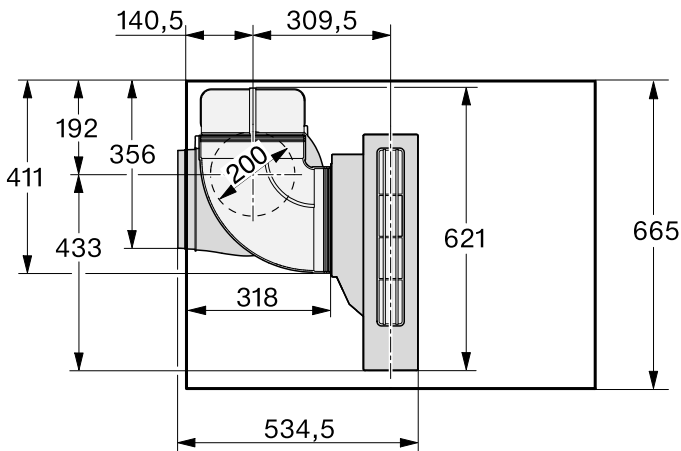
Installation

If you want to install the air duct to the left of the downdraft extractor, the worktop must be at least 665 mm deep.

View from the front – left air duct connection

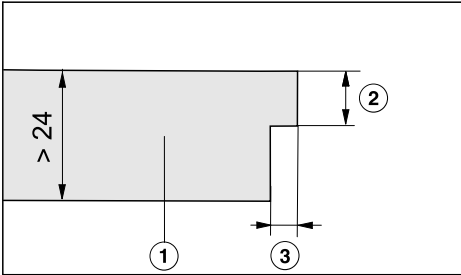


View from above – left air duct connection



Installation – surface-mounted

If the worktop is more than 24 mm deep, it must be cut out underneath on the building-in side on the right or left hand side.

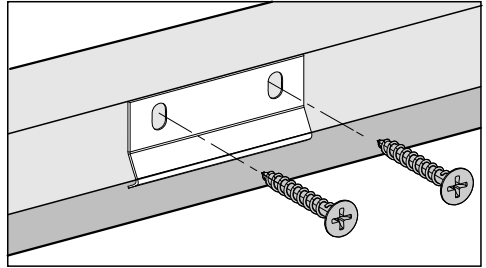


- ① Worktop
- ② Maximum 24 mm
- ③ 12 mm

Securing the brackets

1 bracket (supplied with the spacer bar) must be secured centrally to the right or left-hand side of the cutout.

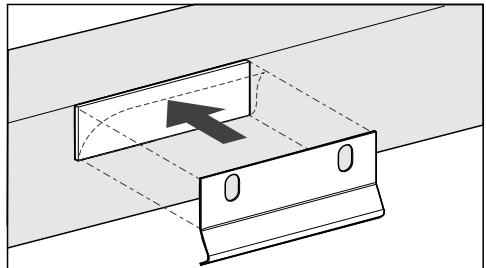
Wooden worktops



- Fit the bracket so that it sits flush with the top edge of the worktop cutout.
- Secure the bracket with the 3.5 x 25 mm wood screws supplied.

Natural stone worktops

You will need heavy-duty double-sided tape (not supplied) to secure the bracket.



- Stick the tape along the top edge of the worktop cutout.
- Fit the bracket so that it sits flush with the top edge of the worktop cutout.
- Press the bracket firmly into position.

Installation

Preparing the worktop

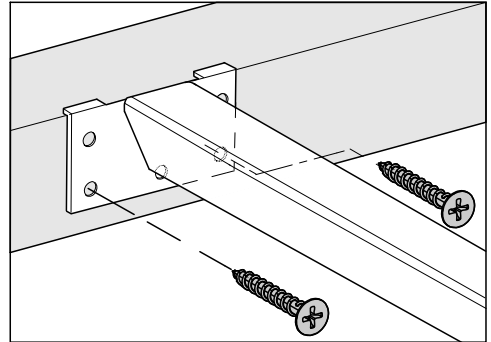
- Create the worktop cutout.
Remember to maintain the minimum safety distances (see “Installation – Safety distances”).
- Seal any cut surfaces on **wooden worktops** with a special varnish, silicone sealant or resin to prevent the wood from swelling as a result of moisture ingress. The sealant must be heat-resistant.

Make sure that the sealant does not come into contact with the top of the worktop.

Fitting the spacer bars

Use the middle screw holes if one of the following SmartLine elements is installed to the right or left of the spacer bar: CS 7611, CS 7641, CS 7101(-1), CS 7102(-1)

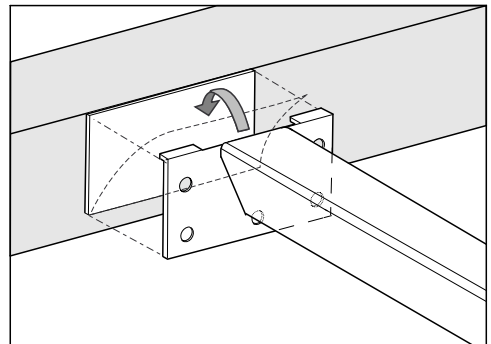
Wooden worktops



- Position the spacer bars flush onto the upper edge of the cutout.
- Secure the spacer bars with the 3.5 x 25 mm wood screws supplied.

Natural stone worktops

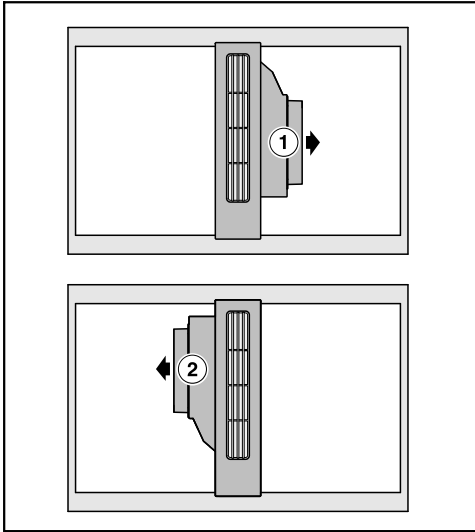
You will need heavy-duty double-sided tape (not supplied) to secure the spacer bars.



- Stick the tape along the top edge of the worktop cutout.
- Position the spacer bars flush onto the upper edge of the cutout.
- Press the spacer bars firmly into place.

Installing the countertop extractor

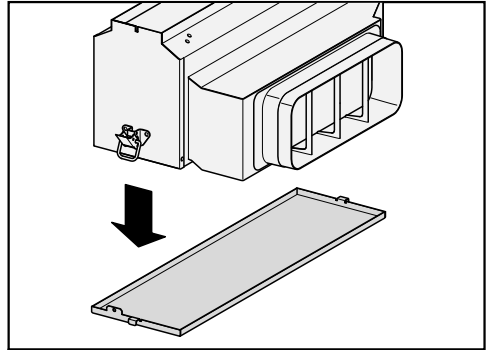
The countertop extractor can be installed with the connector for the air duct on either the right or the left-hand side.



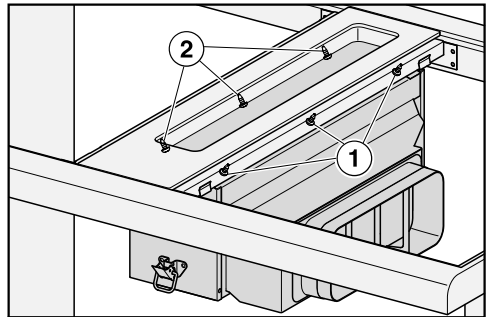
① Connector for air duct on the right

② Connector for air duct on the left

- Stick the sealing strip supplied under the edge of the cover. Do not apply the sealing strip under tension.
- Fit the clips onto the spacer bars.
- Guide the control cable downwards between the spacer bars.
- Fit the cover onto the spacer bars.



- Remove the grease trap from the casing.

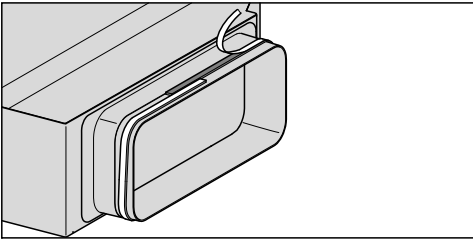


- Fasten the casing from the inside with the screws ① on the right and left ② sides (3 in each case).
- Fasten the grease trap.

Installation

Installing the air duct

- Mount the air duct.



- If the exhaust ducting does not sit securely up against the exhaust duct connection, stick the sealing strip supplied to the exhaust duct connection.

Ensure that the air duct is not under mechanical tension after installation.

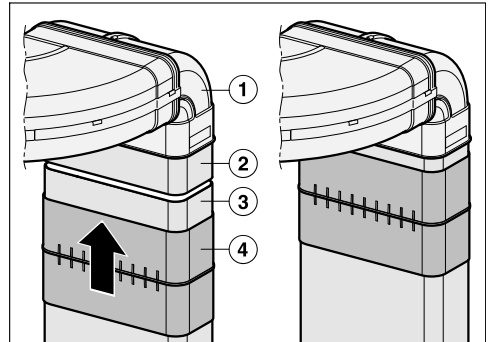
Length compensation

The length compensation ④ facilitates customer service and repair work. The installation position of the length compensation depends on the worktop depth.

Length compensation – worktop depth 600 mm

Length compensation does not fit. The duct piece ② must be at least 100 mm long.

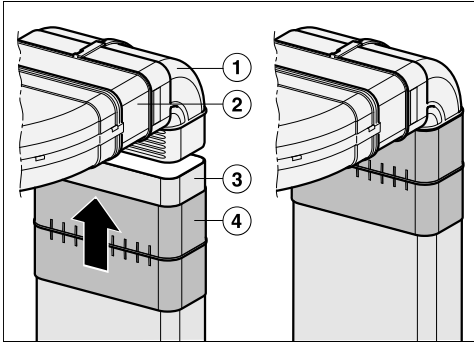
- Divide the flat ducting into 2 pieces to suit your installation situation. The upper piece must have a minimum length of 100 mm.



- Insert the short bend ① into the horizontal bend.
- Connect the duct piece ② with the short bend ①. Fix the connection with the sealing strip.
- Adapt the remaining duct piece ③ to the height of the base unit.
- Slide the length compensation ④ over the adapted duct piece ③. Hold the adapted duct piece ③ under the duct piece on the bend ②. Slide the length compensation ④ over the duct piece on the bend ②. Fix the connection with the sealing strip.

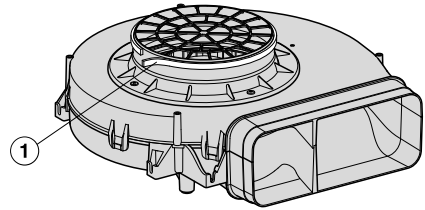
Length compensation – worktop depth greater than 600 mm

- Divide the flat ducting into 2 pieces. 1 piece must correspond to the difference between 600 mm and the worktop depth.



- Insert the duct piece ② into the horizontal bend.
- Connect the duct piece ② with the short bend ①. Fix the connection with the sealing strip.
- Adapt the remaining duct piece ③ to the height of the base unit.
- Slide the length compensation ④ over the adapted duct piece ③. Hold the adapted duct piece ③ under the short bend ①. Slide the length compensation ④ over the short bend ① from below. Fix the connection with the sealing strip.

Installing the fan motor

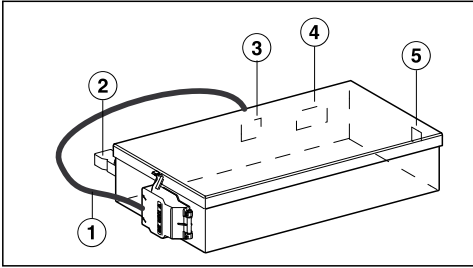


- ① Sealing strip

- Stick the sealing strip supplied to the fan connection.

Installation

E-box



- ① Mains connection cable
- ② Connection to window contact
- ③ Electrical connection socket for the fan operating voltage cable
- ④ Electrical connection socket for the fan control cable
- ⑤ Electrical connection socket for the control unit cable

Connection to window contact, if required

⚠ The window contact connection is live!

Danger of electric shock!

Disconnect the countertop extractor from the mains before connecting the switching system.

The connection cable of the switching system must only be connected by a suitably qualified and competent electrician.

The connection cable of the switching system must comply with type H03VV-F 2 x 0.75 mm² and must not exceed 2.0 m in length.

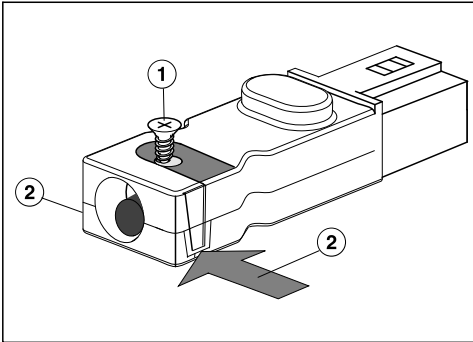
The switching system must be equipped with a potential-free contact suitable for 230 V, 1 A. The extractor is switched off when the switch is open.

Only use DIPT-approved and tested radio switching systems (e.g. window contact switches, pressure switches) and have them approved by authorised specialists (e.g. building regulations inspector).

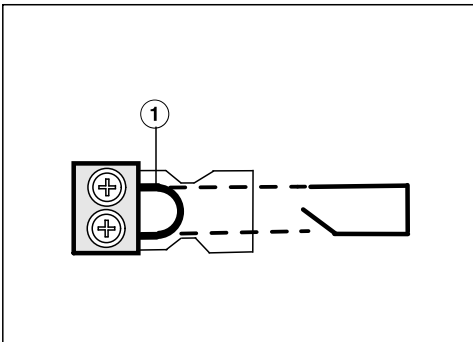
The switching system must be suitable for use with a BLDC motor.

You will need the appropriate external switching system documents to safely connect and operate the switch.

- Loosen the lug and pull the plug out.



- Loosen the strain relief screw ① and unlock the casing on both sides ②.
- Open the casing.
- Remove the stopper.



- Exchange the bridge ① for the connection cable of the switching system.
- Close the casing.
- Tighten the strain relief screw.
- Reinsert the plug.

Connecting the e-box

- Connect the operating voltage and fan control cables to the e-box and the fan.
- Connect the control unit cable to the e-box.

The socket positions are designed in such a way that they cannot be mixed up.

- Connect the downdraft extractor to the mains.
- Check that the downdraft extractor works.

Sealing the gaps

- Seal the gaps between the individual SmartLine elements, and between the flush-mounted SmartLine elements and the worktop, with a silicone sealant that is heat-resistant to at least 160 °C.

Unsuitable sealant can damage natural stone.

For natural stone worktops and natural stone tiles, only use silicone sealant that is specially formulated for natural stone.

Please follow the manufacturer's instructions.

Installation

Installation notes – flush-fit

Flush-fit installation is only possible in natural stone (granite, marble), solid wood and tiled worktops. For installation in worktops made of other materials, please consult the relevant manufacturer as to whether their worktops are suitable for flush-fit installation.

The internal width of the base unit underneath the appliance must be at least as wide as the inner worktop cutout (see “Installation – Building-in dimensions – flush-fit”), so that the SmartLine element is easily accessible from underneath after installation and the bottom half of the casing can be removed for maintenance. If the element is not freely accessible from below after installation, the sealant must be removed so that the element can be removed.

Natural stone worktops

The SmartLine element is set directly in the cutout.

Solid wood worktops, tiled worktops, glass worktops

The SmartLine element is set on a wooden frame inside the cutout. The frame must be provided on site, and is not supplied with the appliance.

Sealing strip

Dismantling the SmartLine element for service purposes may damage the sealing strip underneath the edge of the SmartLine element.

Always replace the sealing strip before reinstalling the SmartLine element.

Installing several SmartLine elements

The gaps between the individual SmartLine elements are sealed with a silicone sealant that is heat-resistant to at least 160 °C. With flush-fit installation, the gap between the SmartLine element(s) and the worktop must also be sealed with a silicone sealant that is heat-resistant to at least 160 °C.

After installation, the SmartLine elements must be easily accessible from below, so that the bottom half of the casing can be removed for maintenance. If the SmartLine elements are not accessible from below, the sealant must be removed so that they can be removed.

Worktop depth

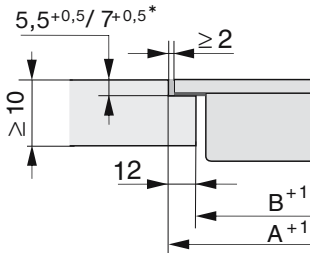
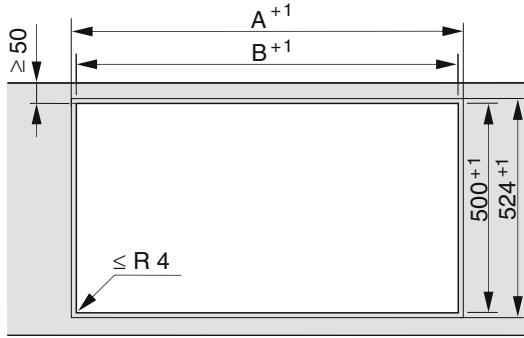
The downdraft extractor can be installed with the connector for the air duct on either the right or the left-hand side.

Minimum worktop depth for

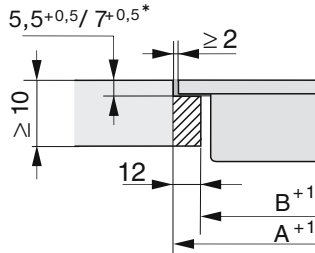
- Right connector 600 mm
- Left connector 665 mm

Installation

Worktop cutout – flush-fit



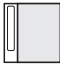
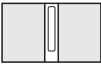





Natural stone worktop



Wooden worktop








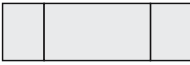
* $7^{+0.5}$ mm with CS 7611 FL

Installation with a countertop extractor

Combination examples	Number x width [mm]		Dimensi on A [mm]	Dimensi on B [mm]
	Cooking elements	Countertop extractor		
	1 x 378	1 x 120	505	481
	2 x 378	1 x 120	886	862
	1 x 378 1 x 620	2 x 120	1250	1226
	3 x 378	2 x 120	1389	1365
	2 x 378 1 x 620	2 x 120	1631	1607
	4 x 378	2 x 120	1770	1746
	1 x 620	2 x 120	869	845

Installation

Installation without a countertop extractor

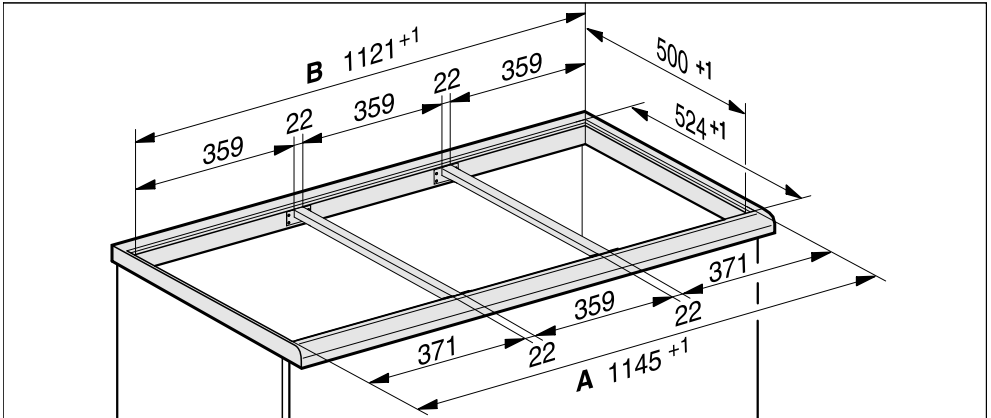
Combination examples	Number x width [mm] Cooking elements	Dimension A [mm]	Dimension B [mm]
	1 x 378	383	359
	2 x 378	764	740
	1 x 378 1 x 620	1006	982
	3 x 378	1145	1121
	2 x 378 1 x 620	1387	1363
	4 x 378	1526	1502
	2 x 378 1 x 800	1567	1543
	2 x 378 1 x 936	1703	1679

Spacer bars – flush-fit

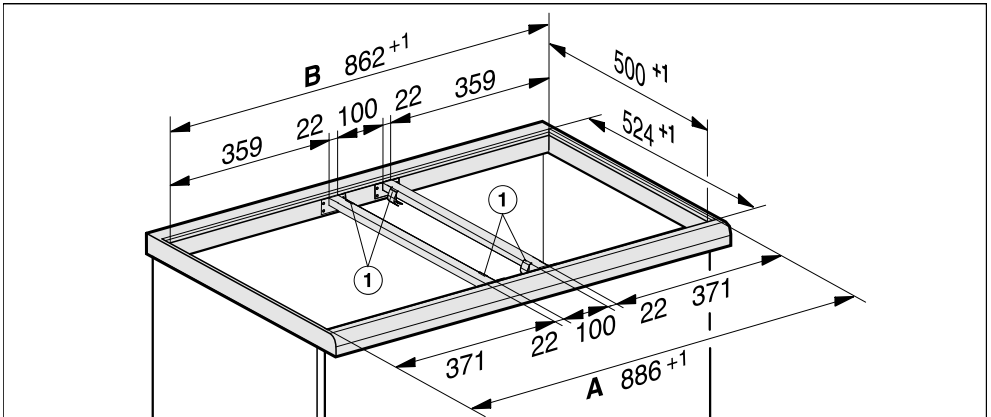
If you are installing several appliances, you must fit spacer bars between them.

The clips supplied with the spacer bars are only required for installing a CSDA 700x FL.

Installing 3 elements and 2 spacer bars



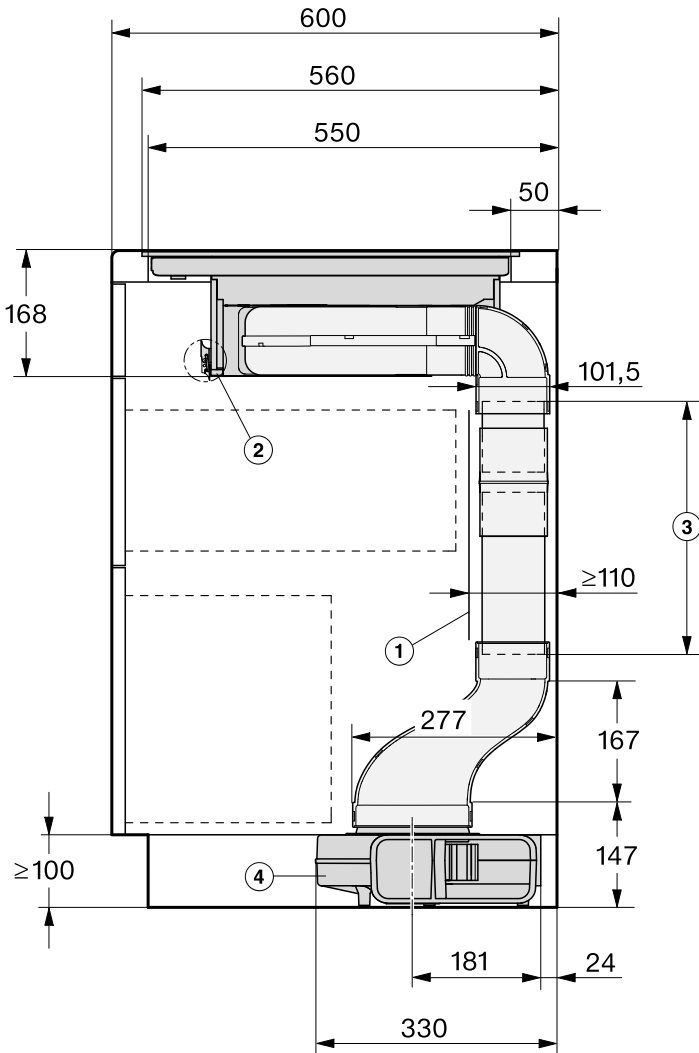
Spacer bars for the downdraft extractor – flush-fit



① Brackets

Air duct dimensions – flush-fit – worktop depth 600 mm

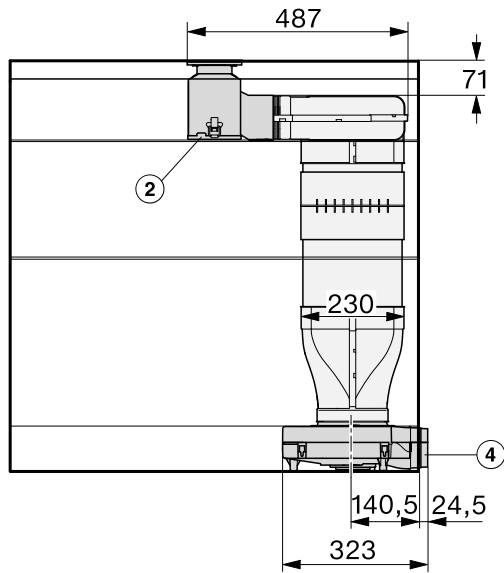
Side view



Installation

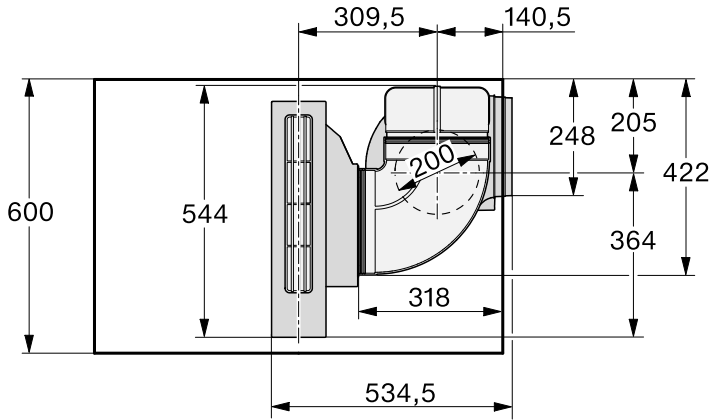
- ① For maintenance work it must be possible to remove the rear cabinet wall.
The cabinet wall and an adjoining room wall or a piece of furniture must be at least 110 mm apart to ensure sufficient room for the ducting.
- ② After installation the removable drip tray must be accessible.
2 quick-release catches have to be opened at the front and rear to remove the tray.
- ③ Duct length must be adapted to the height of the base unit.
Standard delivery 500 mm
Installing the length compensation, see chapter “Installation”, section “Installation – flush-fit”.
- ④ Fan
In the plinth on the floor

Front view



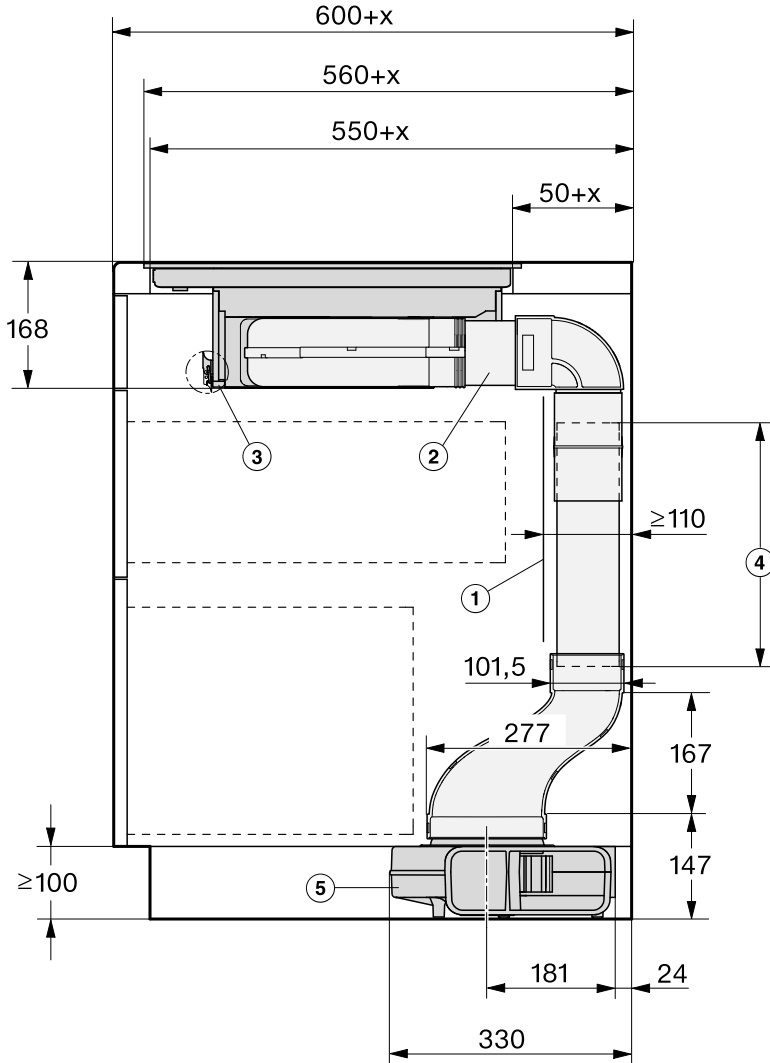
Installation

View from above



Air duct dimensions – flush-fit – worktop depth greater than 600 mm

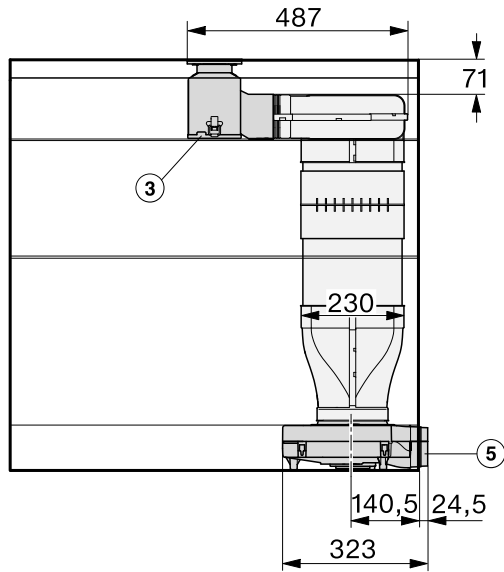
View from the side – right air duct connection



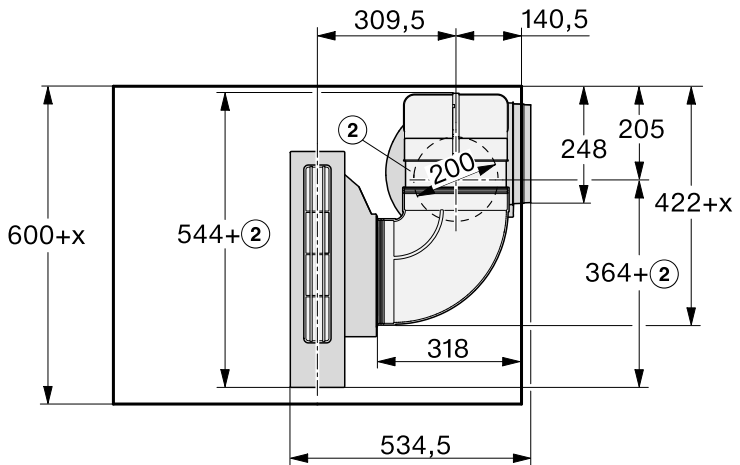
Installation

- ① For maintenance work it must be possible to remove the rear cabinet wall.
The cabinet wall and an adjoining room wall or a piece of furniture must be at least 110 mm apart to ensure sufficient room for the ducting.
 - ② Duct connector, adapted to the worktop depth
 - ③ After installation the removable drip tray must be accessible.
2 quick-release catches have to be opened at the front and rear to remove the tray.
 - ④ Duct length must be adapted to the height of the base unit.
Standard delivery 500 mm
Installing the length compensation, see chapter “Installation”, section “Installation – flush-fit”.
 - ⑤ Fan
In the plinth on the floor
- x Dimension of which the worktop is deeper than 600 mm.

View from the front – right air duct connection



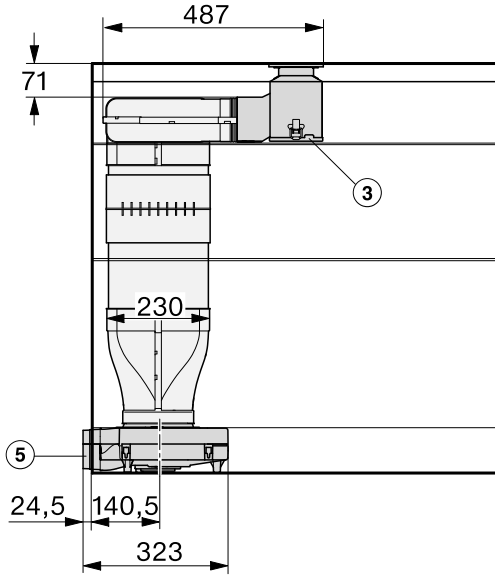
View from above – right air duct connection



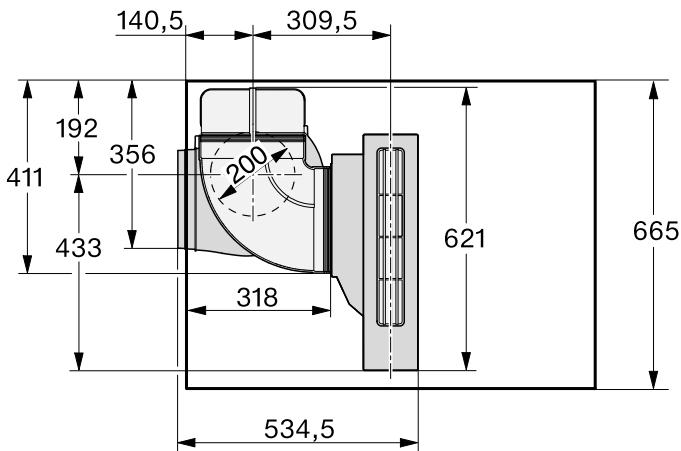
Installation

If you want to install the air duct to the left of the downdraft extractor, the worktop must be at least 665 mm deep.

View from the front – left air duct connection

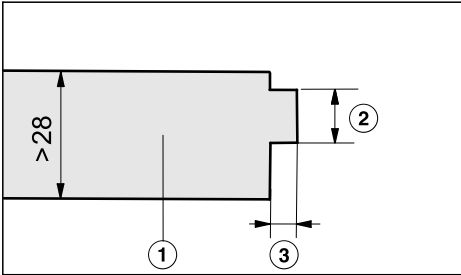


View from above – left air duct connection



Installation – flush-fit

If the worktop is more than 28 mm deep, it must be cut out underneath on the building-in side on the right or left hand side.

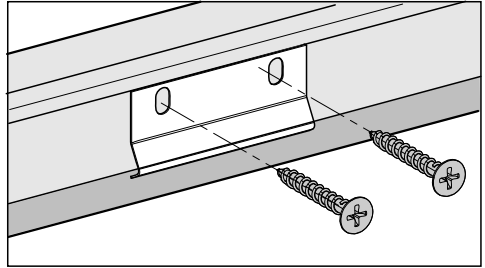


- ① Worktop
- ② Maximum 24 mm
- ③ 12 mm

Securing the brackets

1 bracket (supplied with the spacer bar) must be secured centrally to the right or left-hand side of the cutout.

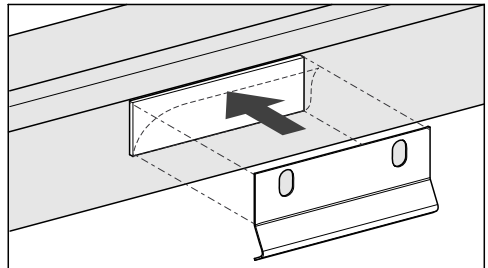
Wooden worktops



- Fit the bracket so that it sits flush with the top edge of the lower step of the stepped cutout.
- Secure the bracket with the 3.5 x 25 mm wood screws supplied.

Natural stone worktops

You will need heavy-duty double-sided tape (not supplied) to secure the bracket.



- Stick the tape onto the upper edge of the lower step of the stepped cutout.
- Fit the bracket so that it sits flush with the top edge of the lower step of the stepped cutout.
- Press the bracket firmly into position.

Installation

Preparing the worktop

- Create the worktop cutout.
Remember to maintain the minimum safety distances (see “Installation – Safety distances”).
- Seal any cut surfaces on **wooden worktops** with a special varnish, silicone sealant or resin to prevent the wood from swelling as a result of moisture ingress. The sealant must be heat-resistant.

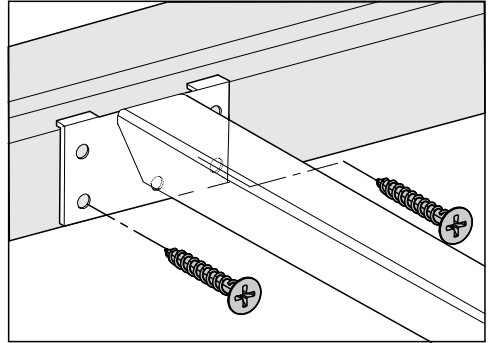
Make sure that the sealant does not come into contact with the top of the worktop.

- For wooden worktops, secure the wooden frame 5.5 mm below the upper edge of the worktop.
For CS 7611 FL, the wooden frame must be secured 7 mm under the upper edge of the worktop.

Fitting the spacer bars

Use the middle screw holes if one of the following SmartLine elements is installed to the right or left of the spacer bar: CS 7611, CS 7641, CS 7101(-1), CS 7102(-1)

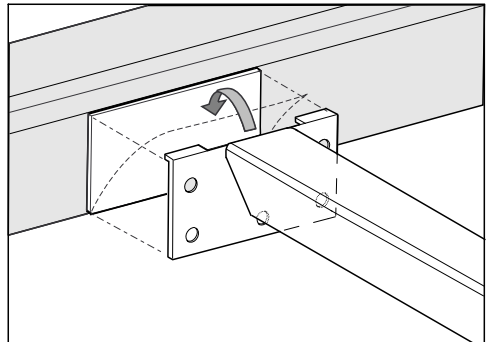
Wooden worktops



- Position the spacer bars flush onto the lower step of the stepped cutout.
- Secure the spacer bars with the 3.5 x 25 mm wood screws supplied.

Natural stone worktops

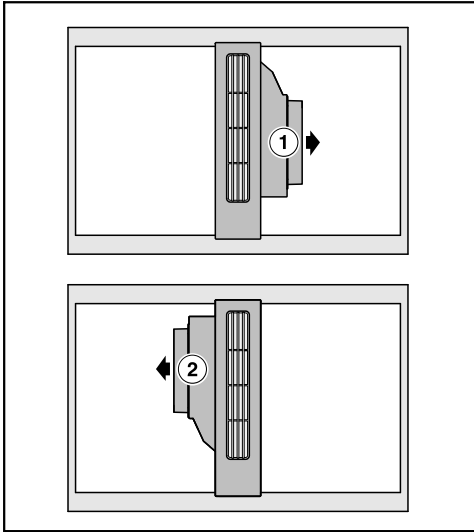
You will need heavy-duty double-sided tape (not supplied) to secure the spacer bars.



- Stick the tape onto the lower step of the stepped cutout.
- Position the spacer bars flush onto the lower step of the stepped cutout.
- Press the spacer bars firmly into place.

Installing the countertop extractor

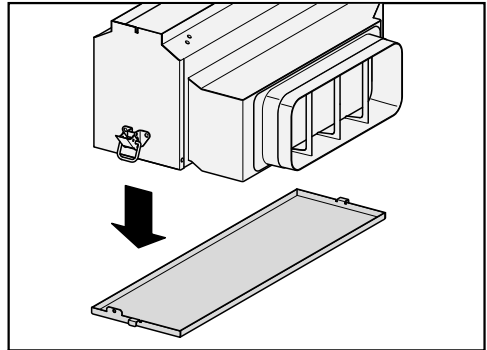
The countertop extractor can be installed with the connector for the air duct on either the right or the left-hand side.



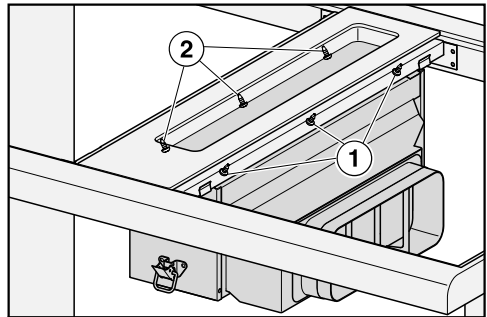
① Connector for air duct on the right

② Connector for air duct on the left

- Stick the sealing strip supplied under the edge of the cover. Do not apply the sealing strip under tension.
- Fit the clips onto the spacer bars.
- Guide the control cable downwards between the spacer bars.
- Fit the cover onto the spacer bars.



- Remove the grease trap from the casing.

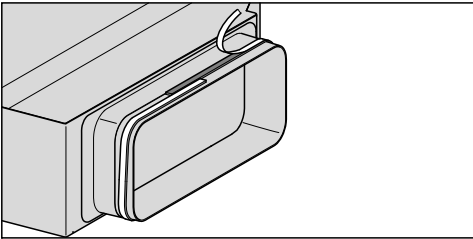


- Fasten the casing from the inside with the screws ① on the right and left ② sides (3 in each case).
- Fasten the grease trap.

Installation

Installing the air duct

- Mount the air duct.



- If the exhaust ducting does not sit securely up against the exhaust duct connection, stick the sealing strip supplied to the exhaust duct connection.

Ensure that the air duct is not under mechanical tension after installation.

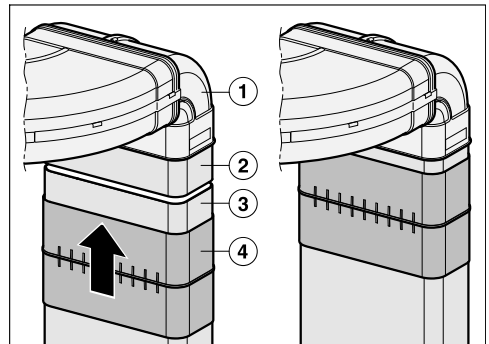
Length compensation

The length compensation ④ facilitates customer service and repair work. The installation position of the length compensation depends on the worktop depth.

Length compensation – worktop depth 600 mm

Length compensation does not fit. The duct piece ② must be at least 100 mm long.

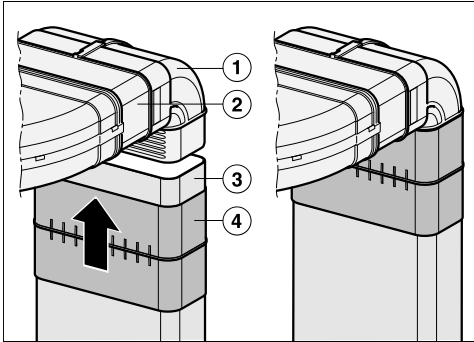
- Divide the flat ducting into 2 pieces to suit your installation situation. The upper piece must have a minimum length of 100 mm.



- Insert the short bend ① into the horizontal bend.
- Connect the duct piece ② with the short bend ①. Fix the connection with the sealing strip.
- Adapt the remaining duct piece ③ to the height of the base unit.
- Slide the length compensation ④ over the adapted duct piece ③. Hold the adapted duct piece ③ under the duct piece on the bend ②. Slide the length compensation ④ over the duct piece on the bend ②. Fix the connection with the sealing strip.

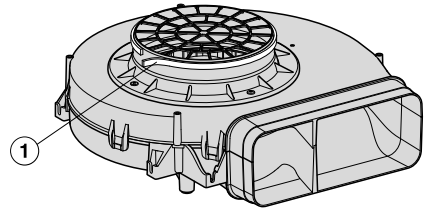
Length compensation – worktop depth greater than 600 mm

- Divide the flat ducting into 2 pieces. 1 piece must correspond to the difference between 600 mm and the worktop depth.



- Insert the duct piece (2) into the horizontal bend.
- Connect the duct piece (2) with the short bend (1). Fix the connection with the sealing strip.
- Adapt the remaining duct piece (3) to the height of the base unit.
- Slide the length compensation (4) over the adapted duct piece (3). Hold the adapted duct piece (3) under the short bend (1). Slide the length compensation (4) over the short bend (1) from below. Fix the connection with the sealing strip.

Installing the fan motor

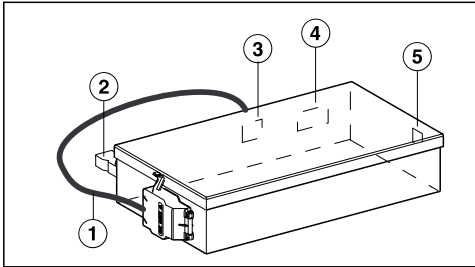


- ① Sealing strip

- Stick the sealing strip supplied to the fan connection.

Installation

E-box



- ① Mains connection cable
- ② Connection to window contact
- ③ Electrical connection socket for the fan operating voltage cable
- ④ Electrical connection socket for the fan control cable
- ⑤ Electrical connection socket for the control unit cable

Connection to window contact, if required

⚠ The window contact connection is live!

Danger of electric shock!

Disconnect the countertop extractor from the mains before connecting the switching system.

The connection cable of the switching system must only be connected by a suitably qualified and competent electrician.

The connection cable of the switching system must comply with type H03VV-F 2 x 0.75 mm² and must not exceed 2.0 m in length.

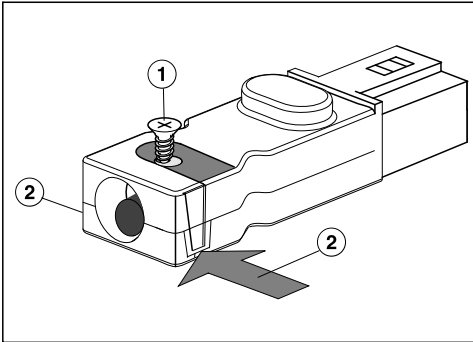
The switching system must be equipped with a potential-free contact suitable for 230 V, 1 A. The extractor is switched off when the switch is open.

Only use DIPT-approved and tested radio switching systems (e.g. window contact switches, pressure switches) and have them approved by authorised specialists (e.g. building regulations inspector).

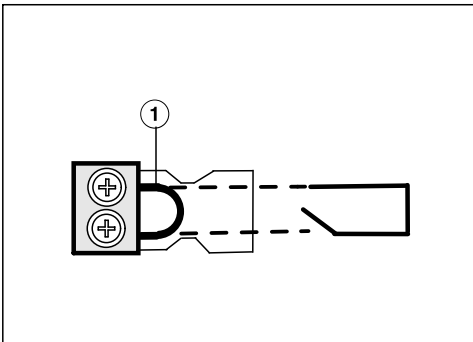
The switching system must be suitable for use with a BLDC motor.

You will need the appropriate external switching system documents to safely connect and operate the switch.

- Loosen the lug and pull the plug out.



- Loosen the strain relief screw ① and unlock the casing on both sides ②.
- Open the casing.
- Remove the stopper.



- Exchange the bridge ① for the connection cable of the switching system.
- Close the casing.
- Tighten the strain relief screw.
- Reinsert the plug.

Connecting the e-box

- Connect the operating voltage and fan control cables to the e-box and the fan.
- Connect the control unit cable to the e-box.

The socket positions are designed in such a way that they cannot be mixed up.

- Connect the downdraft extractor to the mains.
- Check that the downdraft extractor works.

Sealing the gaps

- Seal the gaps between the individual SmartLine elements, and between the flush-mounted SmartLine elements and the worktop, with a silicone sealant that is heat-resistant to at least 160 °C.

Unsuitable sealant can damage natural stone.

For natural stone worktops and natural stone tiles, only use silicone sealant that is specially formulated for natural stone.

Please follow the manufacturer's instructions.

Installation

Ducting

⚠ If the downdraft extractor is used at the same time as a heating appliance that relies on oxygen from the same room, there is a risk of toxic fumes.

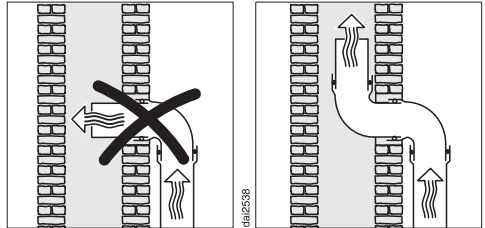
It is essential that the “Warning and Safety” instructions are observed.

The downdraft extractor should be installed according to local and national building regulations. Seek approval from the building inspector where necessary.

The downdraft extractor has an exhaust connection of 222 x 89 mm.

- Only use smooth pipes or flexible exhaust hoses made from non-flammable materials for exhaust ducting.
- To achieve the most efficient air throughput with the lowest noise levels, please note the following:
 - The cross-section of the ducting must not be smaller than the cross-section of the exhaust duct connection (see “Appliance dimensions”).
 - The ducting should be as short and straight as possible.
 - Only use wide radius bends.
 - The exhaust ducting must not be kinked or compressed.
 - Ensure that all connections are strong and airtight.

Remember that any constriction of the air flow will reduce air throughput and increase operating noise.




- If the exhaust air is to be ducted into a flue, the ducting must be directed in the flow direction of the flue.
- If ducting is to be laid horizontally it must be laid with a downwards sloping gradient. This is to ensure that condensate cannot drain back into the fan.
- If the ducting is to run through rooms, ceiling space, etc. there may be great variations in temperature between the different areas. The problem of condensation will need to be addressed. The ducting will need to be suitably insulated.


Electrical connection

The SmartLine element is supplied with a mains cable with moulded plug ready for connection to a suitable earthed socket.

The socket must be easily accessible after the SmartLine element has been installed. If the socket is not easily accessible, ensure that a suitable means of disconnection is provided on the installation side for each pole.

 Risk of fire from overheating. Connecting the SmartLine element to multi-socket adapters or extension cables can overload the cables. For safety reasons, do not use an extension cable or multi-socket adapter.

The electrical installation must comply with BS 1363 requirements.

For safety reasons, we recommend using a type  residual current device (RCD) in the relevant electrical installation for connecting the SmartLine element.

If the mains connection cable is damaged, it must only be replaced with a specific mains connection cable of the same type (available by your Miele dealer). For safety reasons, such replacement may only be carried out by a qualified specialist or by your Miele dealer.

These operating instructions and the data plate indicate the nominal power consumption and the appropriate fuse rating. Compare this information with the data of the on-site electrical connection.

If in any doubt, consult a qualified electrician.

Temporary or permanent operation on an autonomous power supply system or a power supply system that is not synchronised with the mains power supply (e.g. island networks, back-up systems) is possible. A prerequisite for operation is that the power supply system complies with the specifications of EN 50160 or an equivalent standard. The function and operation of the protective measures provided in the domestic electrical installation and in this Miele product must also be maintained in isolated operation or in operation that is not synchronised with the mains power supply, or these measures must be replaced by equivalent measures in the installation. As described, for example, in the current version of BS OHSAS 18001–2 ISO 45001.

Miele Saudi Arabia**AWAD BADI NAHAS TRADING CO. LTD****Head Office:****Jeddah**

P.O. Box 11529 Jeddah 21463

Tel. +966 12 2560888, Fax. +966 12 2560555

Hotline for customer care: 920003240

Website: www.awadnahas.com

Branches:**Jeddah**

Madina Road

Tel. +966 12 6970060, Fax. +966 12 6970012

Jeddah

Sitteen Street

Tel. +966 12 6611675, Fax. +966 12 6606852

Jeddah

Miele Gallery

Al Thanyyan Group Building, Al-Madina Road,

Near, Al Rowdah District, Jeddah

Tel. +966 12 6989339 Ext. 100

Fax. +966 12 6989339 Ext. 200

Riyadh

Olaya Street

Tel. +966 11 2013501, Fax. +966 11 2013502

Taif

Hadiya Street

Tel. +966 12 7327001, Fax. +966 12 7369596

Khobar

Al Zahran Road

Tel. +966 13 8646150, Fax. +966 13 8646190

Miele United Arab Emirates

Miele Appliances Ltd.

Showroom 1

Eiffel 1 Building

Sheikh Zayed Road, Umm Al Sheif

P.O. Box 114782 - Dubai

United Arab Emirates

Tel. +971 4 3044 999

Fax. +971 4 3418 852

800-MIELE (64353)

E-Mail: info@miele.ae

Website: www.miele.ae

Webshop: shop.miele.ae

Manufacturer: Miele & Cie. KG, Carl-Miele-Straße 29, 33332 Gütersloh, Germany

CSDA 7001 FL

en-SA

M.-Nr. 11 507 870 / 00