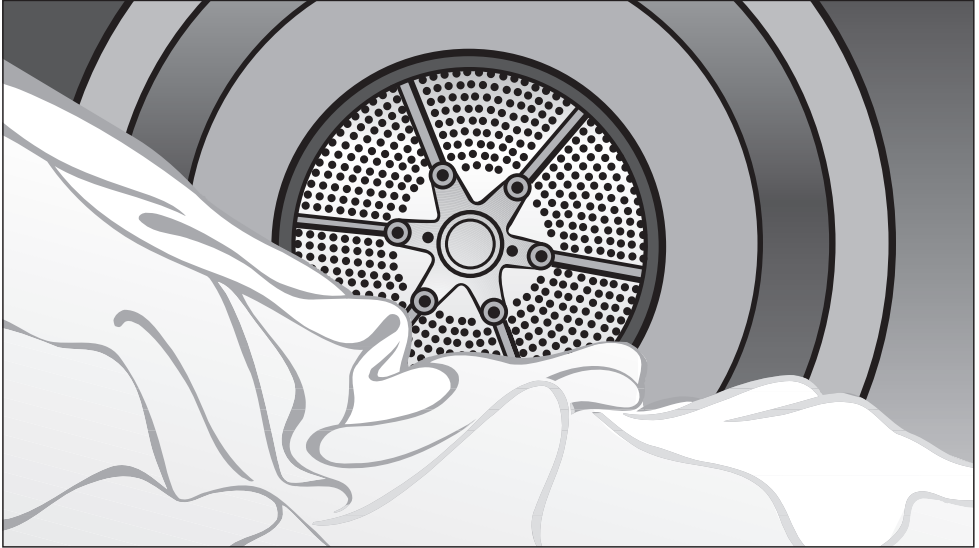


Miele



Operating and installation instructions for vented tumble dryer PT 7186 Vario

To avoid the risk of accidents or damage to the appliance it is **essential** to read these instructions before it is installed, commissioned and used for the first time.

en - CA

M.-Nr. 09 282 661

Caring for the environment

Disposing of the packing material

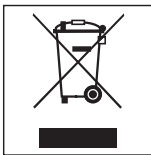
The transport and protective packing has been selected from materials which are environmentally friendly for disposal and can normally be recycled.

Ensure that any plastic wrappings, bags, etc. are disposed of safely and kept out of the reach of babies and young children. Danger of suffocation.

Rather than just throwing these materials away, please ensure they are recycled.

Disposing of your old appliance

Electrical and electronic appliances often contain materials which, if handled or disposed of incorrectly could be potentially hazardous to human health and to the environment. They are, however, essential for the correct functioning of your appliance. Please do not dispose of it with your general waste.



Please contact your local community waste collection/recycling centre. Ensure that it presents no danger to children while being stored for disposal.

Energy saving tips

To avoid unnecessarily long drying times and high consumption of energy:

- Make sure that your laundry is thoroughly spun before drying. The higher the spin, the greater the savings that can be made in energy and time during drying.
- Load according to the optimum amount of laundry recommended for the programme being used. Underloading is uneconomical. Overloading gives a poorer quality of drying, and may cause unnecessary creasing.
- Make sure the room in which the dryer is located is well ventilated.
- Remove the fluff from the filter when necessary (see "Cleaning and Care").
- Check all parts of the ventilation system on a regular basis, and remove any build-up of fluff etc.

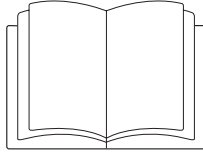
The vent ducting should be as short, straight and smooth as possible to minimise any resistance to the air throughflow.

Caring for the environment	2
Warning and Safety instructions	5
Operating the tumble dryer	14
Control panel	14
Before using for the first time	14
Display	15
Operating the tumble dryer in Shortcut key mode (WS)	17
Notes and tips on laundry care	18
1. Sort the laundry	18
2. Load the tumble dryer	19
3. Select a programme	19
Short instructions	20
Selecting a programme	24
Selecting/changing a programme	24
Low temperature	26
Saving a programme as a favourite	26
Timer	27
Changing the programme sequence	28
Payment system	28
Once a programme has started	28
- changing the programme	28
- cancelling the programme	28
Adding or removing laundry after a programme has started	28
Power cuts	28
Time remaining	28
Cleaning and care	29
Cleaning the fluff filter	29
Removing the filter	29
Taking the filter apart	29
Cleaning the filter whilst dry	30
Cleaning the fluff filter with water	30
Replacing the filter	30
Cleaning the filter housing	31
Quick cleaning	31
Extra cleaning	31
- Fan	31
- The cover in the door opening	32

Contents

Cleaning the tumble dryer	33
Problem solving guide	34
Problem solving guide	34
Check and fault messages in the display	34
An unsatisfactory drying result	36
Other problems	37
Changing the lamp	40
Peak load	41
Display Service	41
After sales service	42
Repairs	42
PC / Optical interface	42
Optional accessories	42
Installation and connection	43
Front view	43
View from the side	44
Rear view	44
View from above	44
Dryer/Washer positioning	44
Installation on a raised plinth	44
Payment system	44
Installing the tumble dryer	45
Moving the tumble dryer	45
Levelling the tumble dryer	45
Securing the tumble dryer against slippage	47
Room ventilation	47
Electrical connection	48
Installation - extraction ducting	49
General	49
To calculate the total duct length	50
Procedure	50
Calculation example	51
Exhaust socket dimensions	51
Venting system with plastic piping	52
Venting system with flexible ducting	53
Venting more than one dryer via the same ducting system	54
Technical data	55

Warning and Safety instructions



► It is **essential** to read these instructions.

This tumble dryer conforms to current safety requirements. Inappropriate use can, however, lead to personal injury and damage to property.

To avoid the risk of accidents and damage to the tumble dryer, please read these instructions carefully before using it for the first time. They contain important information on its safety, installation, use and maintenance.

Keep these instructions in a safe place and ensure that they are made available to new users. They must be made aware of these Warning and Safety instructions.

Pass these instructions on to any future users/owners.

Intended use

► This tumble dryer is only intended for drying fabrics which have been washed in a water solution, and marked on the manufacturer's care label as being suitable for tumble drying.

"Dry cleaning kits" for freshening up garments in a tumble dryer are increasingly available on the market. If using, do so at your own risk, and follow the instructions provided on the packaging.

Any other applications may be dangerous. Miele cannot be held liable for damage resulting from incorrect or improper use or operation.

Warning and Safety instructions

- ▶ This tumble dryer must be used as described in these operating instructions and must be checked on a regular basis to make sure it is functioning correctly. Maintenance must be carried out when necessary.
- ▶ The tumble dryer is suitable for indoor use only.
- ▶ This tumble dryer is not intended for use by people with reduced physical, sensory or mental capabilities, or lack of experience or knowledge, unless they are supervised whilst using it or have been shown how to use it by a person responsible for their safety.
- ▶ Children under 8 years of age must be kept away from the tumble dryer unless they are constantly supervised.
- ▶ Children 8 years and older may only use the tumble dryer unsupervised if they have been shown how to use it in a safe way and recognise and understand the consequences of incorrect operation.
- ▶ Children must not be allowed to clean or maintain the tumble dryer unsupervised.
- ▶ Please supervise children in the vicinity of the tumble dryer and do not let them play with it.
- ▶ If the tumble dryer is used in a publically accessible room, it is the supervisor's responsibility to ensure that suitable measures are in place which enable operators to use it safely.

Technical safety

▶ Before setting up the tumble dryer, check it for any externally visible damage.

Do not install or use a damaged appliance.

▶ Do not make any alterations to the tumble dryer, unless authorised to do so by Miele.

▶ The electrical safety of this tumble dryer can only be guaranteed when it is correctly earthed. It is most important that this basic safety requirement is observed and regularly tested, and where there is any doubt the on-site wiring system should be inspected by a qualified electrician. Miele cannot be held liable for the consequences of an inadequate earthing system (e.g. electric shock).

▶ Unauthorised repairs could result in unforeseen dangers for the user, for which Miele cannot accept liability. Repairs should only be undertaken by a Miele service technician, otherwise any subsequent damage will not be covered by the guarantee. Ensure current is not supplied to the tumble dryer until after maintenance or repair work has been carried out.

▶ Faulty components must only be replaced by genuine Miele original spare parts. Only when these parts are fitted can the safety standards of the appliance be guaranteed.

▶ To ensure the correct performance of the appliance and to prevent the risk of faults and fire, it is important to check it and carry out maintenance on a regular basis.

Warning and Safety instructions

- ▶ In the event of a fault or for cleaning purposes, the tumble dryer is only completely isolated from the electricity supply when:
 - it is switched off at the wall socket and the plug is withdrawn, or
 - it is switched off at the mains, or
 - the mains fuse is disconnected.

- ▶ This tumble dryer is intended for stationary use only.

- ▶ In areas which may be subject to infestation by cockroaches or other vermin, pay particular attention to keeping the tumble dryer in a clean condition at all times. Any damage which may be caused by cockroaches or other vermin will not be covered by the guarantee.

Correct use

- ▶ Do not let anyone sit or lean on the door, as this can cause the tumble dryer to tip up. Danger of injury.
- ▶ Always close the door after use. This way you will avoid the danger of:
 - children climbing onto or into the appliance or hiding things in it.
 - pets or other small animals climbing into it.
- ▶ Do not use a pressure washer or hose to clean the tumble dryer.
- ▶ Always keep the area around the tumble dryer free of dust and fluff. Dust drawn into the tumble dryer can cause blockages over time. Faults can then occur as well as the risk of fire.
- ▶ The tumble dryer must only be used when it is connected to a suitable ducting system. The installation site must be adequately ventilated.
- ▶ The ducting must not be connected to
 - a chimney or vent flue which is in use,
 - or to ducting which ventilates rooms with fireplaces,
 - or to chimneys being used by other appliances.Smoke or exhaust fumes can cause poisoning.
- ▶ Check all parts of the extraction system on a regular basis (e.g. wall vent, external grille, bends in the ducting etc.) and make sure they are all free of any hindrance. A build-up of fluff will prevent a free flow of air through the system. If the tumble dryer is to be connected to an existing ducting system, this must be checked for suitability beforehand.

Warning and Safety instructions

▶ Adequate ventilation is essential **to avoid the danger of asphyxia and toxic fumes** where another appliance which also uses the room air (e.g. gas, oil or coal fired heater, continuous flow or other water heater) is installed in the same or an adjacent room. To ensure safe operation, and to prevent gases given off by these appliances being drawn back into the room, an underpressure of 4 Pa is the maximum permissible.

Ventilation can be maintained by:

- air inlets in the external wall which cannot be closed or blocked, or
- by fitting a window contact switch which ensures that the appliance can only be operated when the window is open.

If in doubt, the advice of a competent builder must be sought.

▶ If more than one tumble dryer is being installed using a joint ducting system, each dryer must have its own non-return flap to the joint ducting system.

Otherwise the dryers could be damaged, endangering their electrical safety.

▶ The fluff filters must be cleaned regularly.

▶ The tumble dryer must not be used without the fluff filters in place or if the fluff filters are damaged in any way. Damaged filters can cause operational faults and blockages in the airways, the heating elements and in the ducting. Fire hazard!

In the event of a damaged filter, switch the tumble dryer off and replace the filter with a new one.

▶ Do not install the tumble dryer in a room where there is a risk of frost occurring. At temperatures around freezing point the tumble dryer may not be able to operate properly.

The ambient room temperature should be between +2°C and +50°C

Warning and Safety instructions

► To prevent the risk of fire, the following textiles must not be dried in this tumble dryer:

- items which have not been washed.
- items, such as workwear, which have not been thoroughly cleaned and which are still soiled with grease, oil or other deposits (such as cosmetics, lotions etc).
If items have not been thoroughly cleaned there is a danger that these might ignite when heated, even after they have been removed from the dryer at the end of the programme.
- items which have been treated with inflammable cleaning agents or contain residues of acetone, alcohol, benzene, petrol, stain remover, turpentine, wax, wax remover or other chemicals (e.g. mops and floor cloths).
- items which have been splashed with hair lacquer, hair spray, nail varnish remover or similar substances.

When washing such heavily soiled items ensure that you use sufficient detergent and select a high temperature. If in doubt, wash the items several times.

► To prevent the risk of fire, the following must not be tumble dried:

- items which have been cleaned using chemicals (e.g. professional dry-cleaning agents).
- fabrics which contain a large proportion of rubber, foam rubber or rubber-like materials. For example, products made from latex foam rubber, shower caps, waterproof textiles, rubberised articles and items of clothing and pillows with foam rubber filling.
- damaged items which contain padding or fillings (e.g. pillows, jackets). When damaged, the filling can get out with the risk of igniting in the dryer.

Warning and Safety instructions

▶ In many programmes, the heating phase is followed by a cooling down phase to ensure that the items are not too hot to handle when you remove them (this also avoids the danger of the laundry self-igniting). The programme is not finished until the cooling down phase has been completed.

Ensure that you always wait until the end of the programme before removing the laundry.

▶ **Warning:** Do not switch the appliance off before the end of the drying programme. If this was done and the laundry was then removed immediately it could give off a great amount of heat.

▶ Fabric conditioner and similar products must be used according to the instructions on the manufacturer's packaging.

▶ Benzine, petrol, paraffin or any easily flammable liquid must not be stored or used near the tumble dryer. Fire and explosion risk.

▶ Do not allow air contaminated with chlorine, fluorine or other vapours containing solvents to get into the tumble dryer stack. Fire hazard.

▶ For appliances with stainless steel surfaces:

The stainless steel surfaces must not come into contact with liquid cleaning and disinfecting agents which contain chlorine or sodium hypochlorite. These agents can have a corrosive effect on stainless steel.

Aggressive vapours containing chlorine can also be corrosive.

Do not store containers of these agents near the appliance.

Warning and Safety instructions

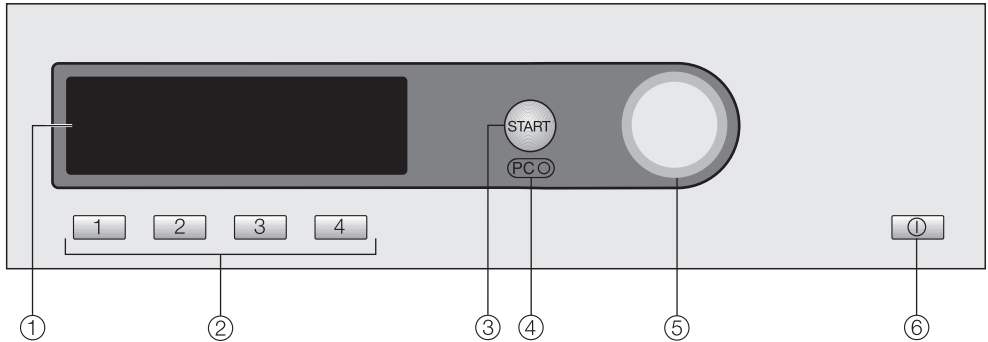
Accessories

► Only use genuine Miele original spare parts and accessories with this tumble dryer. Using spare parts or accessories from other manufacturers will invalidate the guarantee and Miele cannot accept liability.

Miele cannot be held liable for damage caused by non-compliance with these Warning and Safety instructions.

Operating the tumble dryer

Control panel



① Display

See the following pages for more information.

② Shortcut buttons (keys)

For selecting an individual programme quickly. These buttons can be programmed to select your own favourite drying programmes.

③ Start button

④ PC / optical interface

This is used by service technicians to run diagnostic checks on your tumble dryer, and can also be used to update programming data in the future.

⑤ Multi-function selector

This is used to select menu options (by turning it) and to confirm your selection (by pressing it).

⑥ On/Off button ①

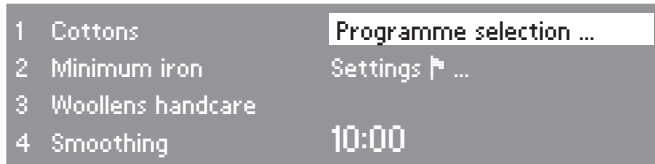
Before using for the first time

Before using the tumble dryer for the first time, ensure that it is correctly installed and connected. See "Installation and connection".

To commission the tumble dryer follow the instructions in the separate booklet "Commissioning, Programme chart and Settings".

Display

Entry menu



When the tumble dryer is switched on, the entry menu (with four favourite programmes listed) appears with *Programme selection* highlighted.

Multi-function selector

Turning the multi-function selector moves the highlighting to the next option.

Pressing the multi-function selector selects the highlighted option.

Shortcut buttons

Pressing a shortcut button selects one of the four favourite programmes shown on the left of the display.

If you wish to change the programmes shown in this list you can do so (see "Selecting a programme - Saving a programme as a favourite" for more information).

The shortcut buttons have different functions in the other menus. Where this is the case, an arrow ▼ will appear in the display above the shortcut button, together with a description of its function .

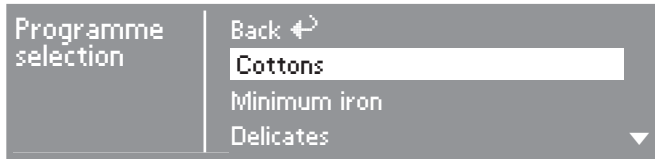
Programme selection

There are two ways of selecting a programme:

- Option 1: Select the *Programme selection* menu in the display and confirm your selection by pressing the multi-function selector.
- Option 2: Press shortcut button or . This will automatically take you into the main menu for that programme.

Operating the tumble dryer

Programme selection menu



You can use the multi-function selector to select any programme. The highlighting will move up or down depending on the direction the multi-function selector is turned in.

The ▼▲ arrows on the right of the display, indicate further options.

Pressing the multi-function selector takes you to the main menu of the programme selected.

Drying programme main menu



- Turn the multi-function selector to highlight either the "Drying level" or the "Programme".
 - Pressing the multi-function selector selects the highlighted option and opens the relevant sub-menu.
 - *Low temperature* and *Timer* can be selected by pressing shortcut buttons **1** or **2**.
 - To go back to the entry menu press shortcut button **4**.

Alternatively, you can also highlight and confirm all options by just using the multi-function selector.

Settings menu **1**

The *Settings* menu **1** is used to alter the tumble dryer's electronics to suit different requirements. See the separate booklet "Commissioning, Programme chart and Settings" for further information.

Operating the tumble dryer in Shortcut key mode (WS)

The entry menu will vary depending on the *Controls* setting selected.

- The dryer is operated either with shortcut keys 1, 2, 3, 4 or the multi-function selector.

WS-shortcut keys, basic

1	Cottons	Normal+
2	Minimum iron	Normal
3	Woollens handcare	
4	Cool air	

4 programmes are available to choose from. To specify which programmes are available go to the *Settings/supervisor level* menu.

WS-shortcut keys + Logo



12 drying levels and timed programmes are available to choose from. To specify which programmes are available go to the *Settings/supervisor level* menu.

WS-shortcut keys, ex/int time










4 timed programmes with different temperature levels are available to choose from. The time can be controlled externally (external coin box) or internally (machine). To specify which programmes are available, go to the *Settings/supervisor level* menu.

Notes and tips on laundry care

1. Sort the laundry

Garment care label symbols


Drying	
	Normal/higher temperature.
	Reduced temperature: Select <i>Low temperature</i> (for delicate textiles).
	Do not tumble dry.
Ironing	
	Very hot.
	Hot.
	Warm.
	Do not iron.


Before drying


- Wash heavily soiled items very thoroughly, ensuring that you use sufficient detergent and select a high temperature. If in doubt, wash the items several times.
- Do not put soaking wet items into the tumble dryer. Make sure that your laundry is thoroughly spun before drying.
The higher the spin, the greater the savings that can be made in energy and time during drying.

- New dark-coloured garments should be washed and dried separately from light-coloured garments the first few times they are washed, to avoid the risk of colours running and discolouring other garments or even the plastic components in the tumble dryer.
Dark-coloured fibres can also settle on light-coloured garments and vice versa.
- Starched laundry can be dried in the tumble dryer. To achieve the usual finish, double the amount of starch should be used.
- Check the seams of padded or down-filled items to prevent the risk of fillings coming out. These could catch fire in the tumble dryer.
- Tie together textile belts and apron ties to stop them getting tangled.
- Fasten . . .
. . . duvet covers etc. to prevent small items from being trapped inside them. . . , hooks and eyes etc.
- Stitch in or remove loose underwiring from bras.
- Leave jackets open and undo any long zips so that textiles dry evenly.
- For an even drying result, it is important to . . .
. . . spin,
. . . shake out,
. . . and sort items according to fabric type, size, care label and the drying level required.


2. Load the tumble dryer

 Using the tumble dryer incorrectly could cause a fire. Read the "Warning and Safety instructions" before using the tumble dryer.

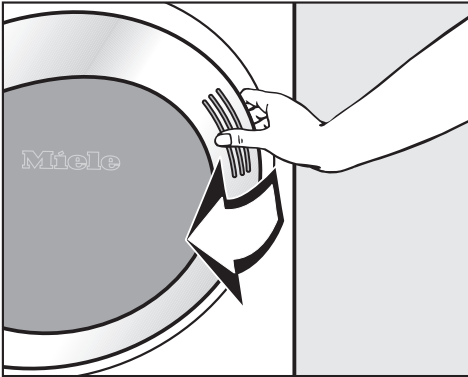
 Make sure that objects, e.g. detergent dispensing balls, have been removed from the laundry. They could melt and cause damage to the dryer or the laundry.

- Do not overload the drum. Overloading can cause unnecessary wear and tear to the laundry, give a disappointing drying result and cause more creasing.
 - To save energy, always observe the maximum load for each programme (see the separate booklet "Commissioning, Programme chart and Settings").
 - Minimum iron fabrics tend to crease more the greater the load. This is also the case for garments made from very fine weave fabrics, such as shirts or blouses. If necessary, reduce the size of the load for these types of fabrics.
- ### 3. Select a programme
- On many programmes, different drying levels can be selected depending on individual requirements. . . e.g. *Normal+* for laundry that you want to fold and put away immediately after drying.
 - . . . e.g. *Machine iron* or *Hand iron* if the laundry needs further processing after drying, e.g. machine ironing. See separate booklet "Commissioning, Programme chart and Settings".
 - For delicate fabrics with the  care label, select *Low temperature* as well.
 - Down-filled garments have linings which have a tendency to shrink, depending on the quality of the item. They can be partially dried using the *Smoothing* programme.
 - Pure linen should only be machine dried if specified as suitable by the manufacturer on the care label, as the surface of the fabric may otherwise become rough. They can be partially dried using the *Smoothing* programme.
 - Woollens and wool blends tend to become matted and shrink if dried in a tumble dryer. Only dry these fabrics in a *Woollens* programme.
 - Loopknit garments (e.g. T-shirts and underwear) tend to shrink depending on their quality. Do not over-dry these textiles. When purchasing these garments it is advisable to take their shrinkage properties into account.

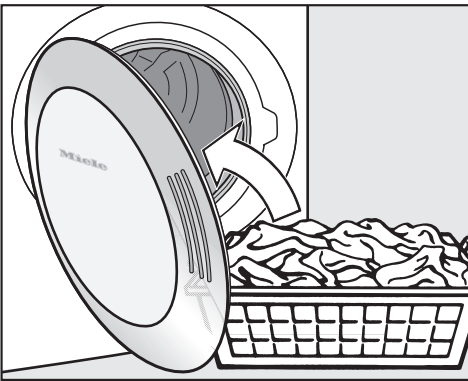
Short instructions

 It is very important to read the "Notes and tips on laundry care" section before proceeding.

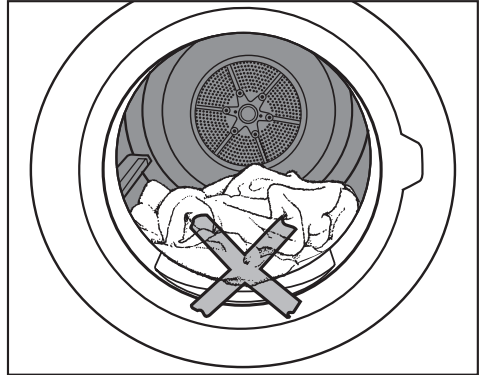
- ❶ Sort the laundry
- ❷ Load the tumble dryer




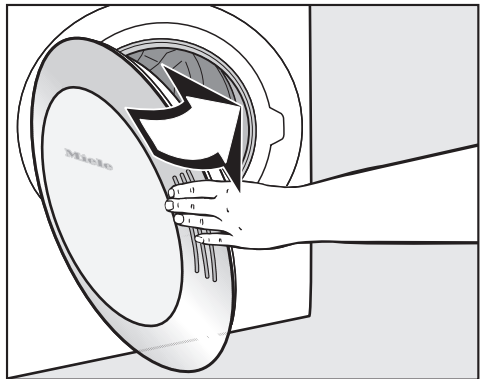
- Open the door.



- Load the drum.




 Before closing the door, check that no items are caught in the door opening. This may damage the items.



- Shut the door either with a gentle swing, or lean against it and push it shut.

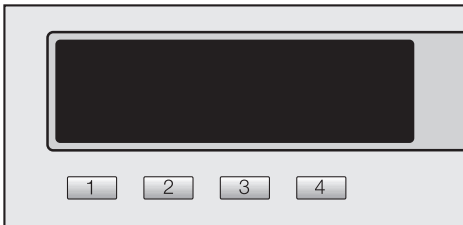
3 Select a programme

- Switch the dryer on by pressing the *On/Off*  button in.

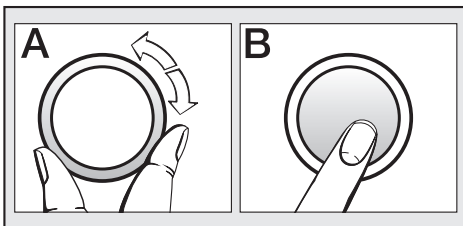
Programme chart

- See separate booklet "Commissioning, Programme chart and Settings".

You can select a programme either by:



1. using the appropriate shortcut button to select one of the four programmes listed in the display ("favourites"), or



2. selecting a programme from the *Programme selection* menu (turn **A** and press **B**).

Select *Low temperature* or *Timer* if required

- If required, you can then select *Low temperature* and/or the *Timer* (Delay start time) from the relevant sub-menu.

Payment system

If your tumble dryer has a payment system, the amount of credit required will appear in the display.

Opening the door or cancelling the programme after it has started may cause loss of credit (depending on how the tumble dryer was set up).

4 Start the programme




The *Start* button will flash as soon as a programme can be started.

- Press the *Start* button.

The *Start* button will now light up.

- *Prog. running* will appear in the display, followed by *Drying* and the programme duration.
- With sensor drying programmes the drying level reached e.g. *Machine iron ... Hand iron...* etc. will appear in the display later on.

Once drying is in progress, you can press one of the shortcut buttons:

- Button  *Timer* to call up the current time of day and the estimated end time of the programme.
- Button  *Save* to save the current programme as a favourite.
- Button  *Cancel* to cancel the current programme.

Short instructions

Programme duration/Estimated time remaining

When a programme is selected, the estimated duration will appear in the display. Please be aware that it is only an estimate!

The following factors all affect the estimated time remaining: residual moisture content after spinning; type of fabric; size of load; room temperature; fluctuations in power supply.

The electronics assess conditions in the appliance and adjust the estimated time remaining for a more accurate reading. Because of this, the time displayed can alter during the course of a programme.

Before the end of a programme

In many programmes the heating phase is followed by the cooling down phase: *Cooling down* will appear in the display. The programme is not finished until the cooling down phase has been completed.

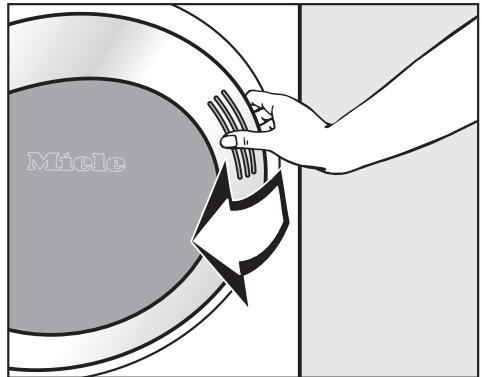
Do not switch the tumble dryer off before the drying programme has finished.

5 Remove the laundry when the programme has finished

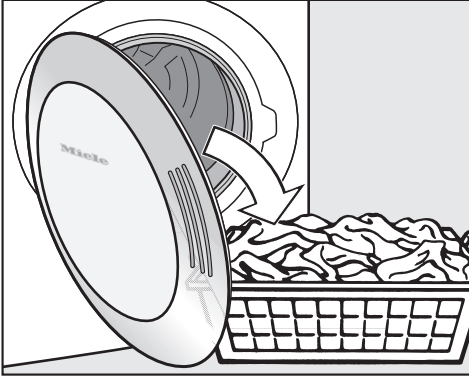
Anti-crease (if selected) and *Finish* will appear in the display to indicate that the programme has finished.

During the anti-crease phase the drum will continue to turn at intervals until the laundry is removed. This helps to prevent laundry creasing.

It is recommended that laundry be removed as soon as the programme has finished.



- Open the door.



- Remove everything from the drum.

Check that all items have been removed from the drum. If items are left in the dryer, they could be damaged by overdrying when the dryer is next used.

The drum lighting will come on when the door is opened. It will go out a few minutes later to save energy.

- Switch the dryer off by pressing the *On-Off* ⓪ button.
- Close the door.

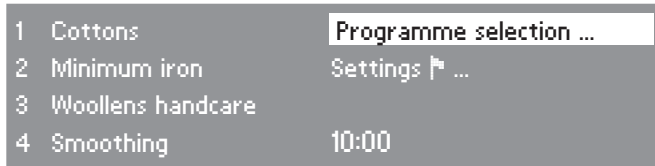
Maintenance after each drying programme

- Please see "Cleaning and care" for details.

Selecting a programme

Selecting/changing a programme

Entry menu



- Press shortcut button 1.

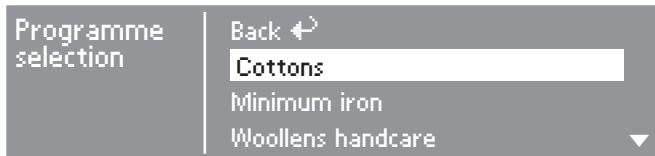
Main menu



- By turning the multi-function selector you can then highlight the following options in the display: Programme (*Cottons*) or the drying level (*Normal*), and confirm your selection by pressing the multi-function selector.

Depending on the option highlighted, the following will be displayed:

– Programme selection



- Use the multi-function selector to select the programme you want, and confirm your selection. The main menu will reappear.

Selecting a programme

Note: If you do not make a selection in the sub-menu within approx. 20 seconds, the display will revert to the main menu.

– Programmes with drying levels



- Use the multi-function selector to select the drying level you want, and confirm your selection.
- The display will show which drying levels can be selected for each individual programme.

– Programmes where the time can be altered



- You can increase or decrease the duration of the programme* using the multi-function selector.

The programme end time for the duration selected will also appear.


* If the tumble dryer has a payment system, the maximum duration for a programme is set during the commissioning process under the controls option *WS-shortcut keys, ex time/int time*.

– Other programmes

You cannot alter the drying level or duration for the other programmes.

Selecting a programme

Low temperature

Select *Low temperature* for all delicate or minimum iron fabrics with the  care label (e.g. acrylic garments).

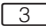
- Delicate fabrics are dried at a lower temperature.
- The programme duration is longer.

■ Press shortcut button  *Low temp.*

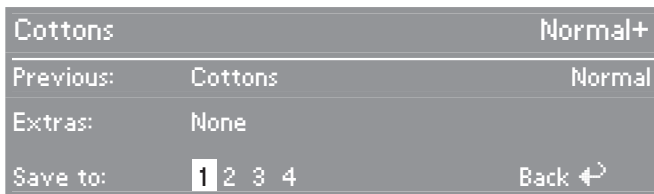
Saving a programme as a favourite

You can programme the shortcut buttons to call up the four most frequently used drying programmes. The *Save* option must be activated via the *Settings/Supervisor level* menu before the shortcut buttons can be programmed.



■ Press shortcut button  *Save*.

Selecting a shortcut button

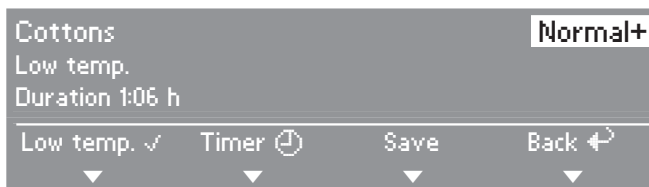


■ Use the multi-function selector to select the number you want to save the programme to, and confirm your selection. Your settings have now been saved and the favourite programme will appear in the entry menu.

Repeat the procedure if you want to customise other favourite programmes, and save them to short cut buttons which have not yet been used.

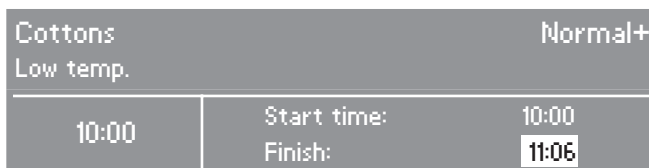
Depending on the *Delay start* setting, you can use the Timer to set the time you wish a programme to finish or start at, or you can delay the start of the programme.

To open the Timer sub-menu



- Use shortcut key **[2]** *Timer* to open the *Timer* sub-menu.

To select a delay start time



- Select the time required (in 30 minute steps) using the multi-function selector, and confirm.

The start and finish times will now be postponed by the time inputted. The maximum time that an automatic programme start can be delayed by is 24 hours.

To start the timer

- Press the *Start* button.

The timer will count down in minutes until the start of the programme. If the delay start time selected is more than one hour, the drum will turn briefly every hour to prevent creasing.

To cancel the timer

- Press shortcut button **[4]** *Cancel*.
- The programme can now be started.

Changing the programme sequence

Payment system

Opening the door or cancelling the programme after it has started, may cause loss of credit (depending on how the tumble dryer was set up*).

* Either during the commissioning process or subsequently, a Miele service technician can re-set the payment system so that programming changes can be made.

Once a programme has started

- changing the programme

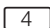
You cannot change to another programme once a programme has started (this prevents unintentional alterations).

You will need to cancel the current programme before you can select a new one.

- cancelling the programme


- Press shortcut button  *Cancel*.

On some programmes, laundry will be cooled down if a certain temperature has been reached.

If shortcut button  *Cancel* is pressed again, *Finish* appears in the display.

- Open the door.
- Close the door.
- Immediately select the programme you want, and then start it.

Adding or removing laundry after a programme has started

 The laundry, the drum and the back of the tumble dryer all become very hot during operation. Take care when in the vicinity of the appliance, when opening the door and handling freshly dried laundry. Danger of burning.

- Press shortcut button  *Cancel*.

On some programmes, laundry will be cooled down if a certain temperature has been reached.

- Only open the door once the laundry has cooled down completely.
- Add or remove items as required.
- Close the door.
- Select a programme.
- Press the *Start* button.

Power cuts

If the dryer is switched off during a drying programme or there has been a power cut:


- When the power is restored and/or the dryer is switched on again, confirm with OK and start the programme again.

Time remaining

The time left shown in the display may now vary from the actual drying time.

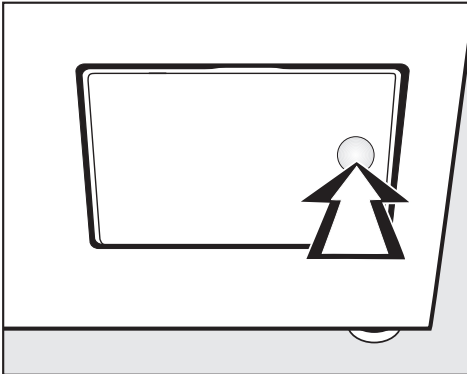
Cleaning the fluff filter

Fluff from items being dried is collected by a two-part cartridge fluff filter in the ducting. This needs to be removed and taken apart for cleaning.

 The fluff filter should be checked and cleaned regularly, but always clean immediately if the *Clean out airways* message comes up in the display.

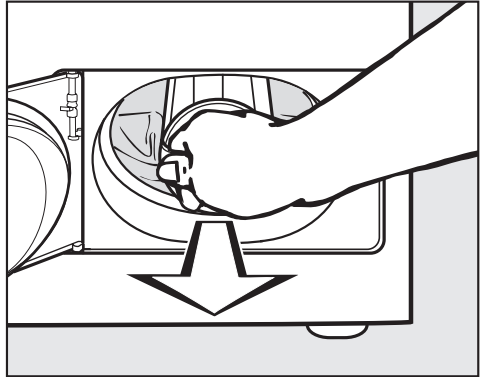
Note: You can also use a vacuum cleaner to remove the fluff.

Removing the filter



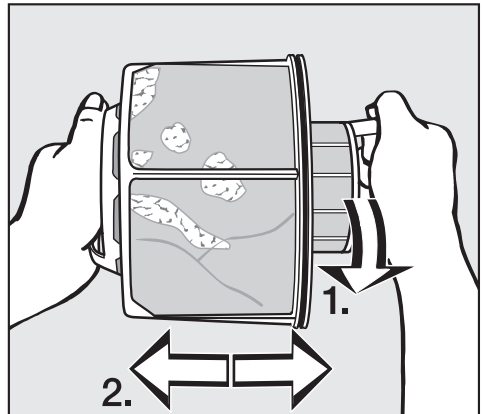
- Press on the right hand side of the access panel to the fluff filter housing to open it.

Do not turn the handle on the fluff filter, as this will cause the fluff filter to come apart (see below).



- Pull the filter out by the handle.

Taking the filter apart

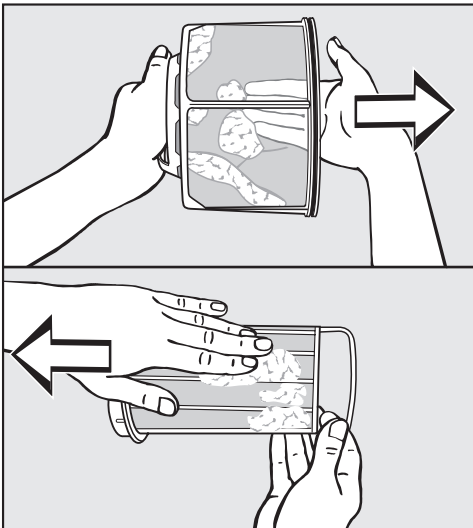


- Hold the fluff filter firmly by the handles on either side, as shown.
- 1. Twist the inner section of the fluff filter, as shown.
- 2. Pull the two sections of the fluff filter apart.

Cleaning and care

Cleaning the filter whilst dry

The fluff filter can be hygienically and easily cleaned using a vacuum cleaner.



- Remove the fluff with your fingers, or use a vacuum cleaner.

Cleaning the fluff filter with water

If there is a great deal of compacted fluff on either part of the filter, they can be cleaned under hot running water.

⚠ Dry the two sections thoroughly before reassembling them. A damp or wet filter could cause operational faults when the dryer is switched on.

Replacing the filter

⚠ If there is a heavy build-up of fluff in filter housing, the filter housing should also be cleaned before the clean filter is replaced. See the next page for further details.

- Reassemble the inner and outer sections of the filter.
- Slowly turn the inner section of the filter clockwise until you hear it click.
- Hold the filter by the handle, and push it into its housing until it clicks into place.

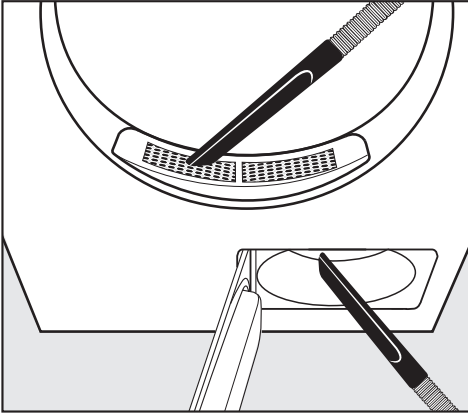
Do not turn the handle whilst you are pushing it back in, or the filter will come apart.

- Close the access panel to the filter housing.

Cleaning the filter housing

The filter housing should be checked from time to time, and cleaned when there is a build-up of fluff there.

Quick cleaning



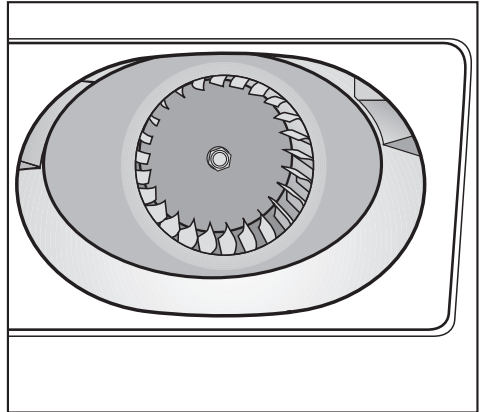
- Use a vacuum cleaner to remove the fluff
 - from the cover in the door opening (above), and
 - from the area in front of the fan (below) if the fluff filter has been removed for cleaning.

Extra cleaning

– Fan

The fan behind the filter access panel can become clogged with detergent residues and fluff.


Check the fan from time to time, and clean it if it becomes clogged.



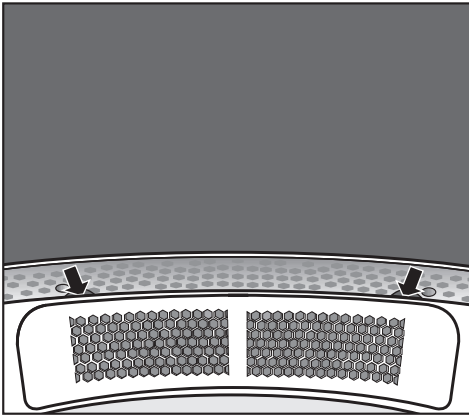
- Using a damp cloth, carefully clean residues from the impeller.
- At the same time, clean the area in front of the impeller.
- Clean away fluff using a vacuum cleaner.
- Remove any fluff from the inside of the open access panel and the rubber seal, taking care not to damage the seal.

Cleaning and care

– The cover in the door opening

 The cover in the door opening should only be removed if it becomes severely clogged.

- Look inside the drum.



- Feel under the edge of the cover at the back* (see arrows) and pull the cover up and out.

* You can use the two screws supplied to stop the cover being removed inadvertently. See instructions below.

- Clean the filter area underneath the cover using a vacuum cleaner.
- Clean the cover.
- Open the access panel to the filter housing, and clean the area in front of the fan.

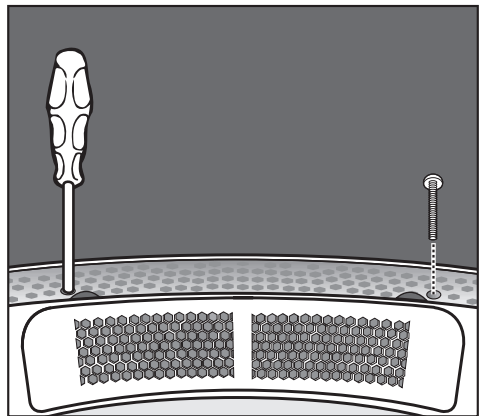
Replacing the cover

- Fit the cover to the left or right hand side of the door opening,
- then press the cover down until it clicks into place on both sides.

Securing the cover


The cover can be secured using the two screws supplied to prevent it being removed inadvertently. The screws must be secured inside the drum.


- Look inside the drum.




- Screw the torx screws into the round holes on the left and right underneath the cover, as shown.

Cleaning the tumble dryer

 Disconnect the tumble dryer from the mains electricity supply.

 Do not use solvents, abrasive cleaners, glass cleaners or all-purpose cleaners. These could damage plastic surfaces and other parts.


 The tumble dryer must never be hosed down.

- Clean the housing and the control panel with a slightly damp cloth and a mild detergent or soapy water.
- The drum and other stainless steel parts can be cleaned with a suitable proprietary stainless steel cleaner following the manufacturer's instructions.
- Dry all parts with a soft cloth.




Problem solving guide

Problem solving guide




With the help of the following notes minor faults in the performance of the appliance, some of which may result from incorrect operation, can be put right without contacting the Service Department.

 Repair work to electrical appliances should only be carried out by a Miele technician in strict accordance with current local and national safety regulations. Repairs and other work by unqualified persons could be dangerous. The manufacturer cannot be held liable for unauthorised work.

Check and fault messages in the display

Problem	Possible cause	Remedy
 Adjust the load The drum is empty or the laundry is too dry.	This is not a fault. In some programmes, if the drum has been overloaded or underloaded, the programme will be cancelled. This can also happen if the items are already dry.	Use the Hot air programme (timed drying) to dry individual items. To delete the message: – Open the door.
 Technical fault If restart is unsuccessful, call Service. A fault number (e.g. F43) might also be displayed.	A programme cannot be started while there is a fault message in the display.	– Make a note of what is shown in the display. – Try to start the programme again.
 Power failure Programme stopped Press OK button	The dryer was switched off during a drying programme or there has been a power cut:	– When the machine is switched on again and/or the power is restored, confirm with <i>OK</i> and start the programme again.

Problem solving guide

Problem	Possible cause	Remedy
 Clean out airways Clean the filters Check ducting. appears after a while.*	Reminder to clean the filter.	<ul style="list-style-type: none"> – Clean the fluff filter. To delete the fault message: <ul style="list-style-type: none"> – Confirm with <i>OK</i>.
 Clean out airways Clean the filters Check ducting. appears at the end of a programme.*	There is a blockage in the ducting system.	<ul style="list-style-type: none"> – Clean the fluff filter. – Check all possible causes given under "The drying process goes on too long or even switches off." To delete the fault message: <ul style="list-style-type: none"> – Open and close the door.
	The vent ducting may be very long, which does not constitute a fault.	<ul style="list-style-type: none"> – If very long ducting is used, then programme times will be longer and energy consumption higher.
 Clean out airways Clean the filters Check ducting. F66 appears after a programme has been cancelled.	There is a very severe blockage in the ducting system.	<ul style="list-style-type: none"> – See above. To delete the fault message: <ul style="list-style-type: none"> – Confirm with <i>OK</i>.

*** You can adjust the setting which controls if or when the check message appears:**

See "Clean the filter" and "Clean out airways" in the "Settings/Supervisor level menu" section in the separate booklet "Commissioning, Programme chart and Settings".

Problem solving guide


An unsatisfactory drying result		
Problem	Possible cause	Remedy
The laundry is not sufficiently dry.	The load consisted of different fabrics.	<ul style="list-style-type: none">– Finish drying using the Hot air programme (timed drying).– Next time, select a more suitable programme (see "Programme chart" in the separate booklet "Commissioning, Programme chart and Settings").
Feather filled pillows smell after drying.	Feathers are a natural product and this is quite normal.	The smell will dissipate after sufficient airing.
Items made of synthetic fibres are charged with static electricity after drying.	Synthetic fibres tend to attract static charge.	Static charge can be reduced by adding a fabric conditioner to the final rinse in the washing programme or a fabric conditioner sheet to the load when drying.
There is a build-up of fluff.	Fluff is principally the result of friction when garments are being worn and to some extent when they are being washed. Machine drying hardly causes any fluff to form and has no appreciable effect on the lifetime of the fabric.	Fluff is collected by the fluff filter and can be easily removed (see "Cleaning and care").

Other problems		
Problem	Possible cause	Remedy
The drying process goes on too long or even switches off.	You might be asked to clean the ducting system again.	Please check all possible causes, described below.
	The fluff filter is blocked.	– Remove any fluff.
	The filter housing is blocked with e.g. fluff and hair.	– Clean the filter housing. – The cover in the door opening can be removed to facilitate the cleaning of the filter housing below.
	The vent ducting or the ventilation outlet is blocked with e.g. fluff or hair.	– Check all parts of the vent ducting system on a regular basis (e.g. bends in the ducting etc.) and clean them if necessary.
	Ventilation to the dryer is insufficient (e.g. because it is installed in a room which is too small).	Open a door or window while the tumble dryer is in operation for increased air flow.
	The laundry has not been spun sufficiently.	Make sure that your laundry is thoroughly spun at the appropriate spin speed in the washing machine.
	The tumble dryer has been overloaded.	Do not exceed the maximum load for the programme selected.
	Metallic components, e.g. zips, have prevented the dryer from registering the correct moisture level in the laundry.	– Open zips next time. If the problem occurs again, dry garments with long zips using the Hot air programme (timed drying).

Problem solving guide

Problem	Possible cause	Remedy
There is a build-up of condensed water in the drum.	There is more than one tumble dryer vented together.	<ul style="list-style-type: none"><li data-bbox="729 193 1042 352">– The dryer must only be connected to a joint ducting system if a non-return flap is in place.<li data-bbox="729 360 1042 480">– Check the non-return flap regularly for damage, and replace it if necessary.

Problem solving guide

Problem	Possible cause	Remedy
The programme does not start and the display is dark.	There is no power to the dryer.	<ul style="list-style-type: none"> – Is the dryer switched on? – Is the door closed properly? – Has the fuse or circuit breaker tripped?
		When the power comes back on after a power cut, confirm with <i>OK</i> and start the programme again.
The display is dark and the <i>Start</i> button is flashing slowly.	The display has switched off automatically to save energy.	The display and the multi-function selector will light up when one of the buttons is pressed.
The display is in a different language.	A different language has been selected.	Set the language you want. The flag symbol  will guide you.
The <i>Start</i> button is flashing when a programme is being selected.	The flashing indicates that a programme can be started.	Once the programme has started, the <i>Start</i> button stops flashing and lights up constantly.
The interior drum lighting does not come on.	The lighting switches off automatically (to save energy).	<ul style="list-style-type: none"> – It will switch on again after the door has been closed and then opened. – If the lamp needs to be replaced, follow the instructions in "Changing the lamp" at the end of this section.

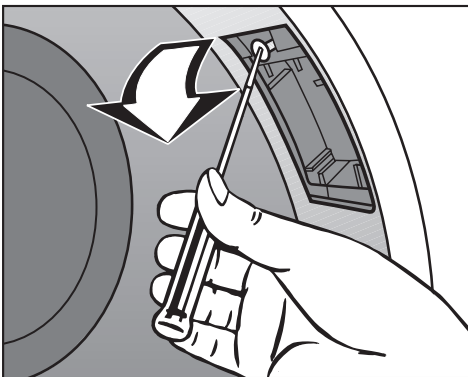
Problem solving guide

Changing the lamp

Disconnect the dryer from the mains electricity supply.


- 1 Open the door.

The lighting is at the top of the door opening on the right-hand side.




- 2 Remove the screw.
- 3 Lower the cover.
- 4 Replace the lamp.

The temperature resistant lamp should only be ordered from the Miele Spare Parts Department.

 The lamp specification and maximum wattage is stated on the data plate and on the lamp cover.

- 5 Raise the cover again.
- 6 Replace the screw.

 Ensure that it is fitted into position securely, as any moisture could cause a short circuit.

Peak load

When the peak load function is activated, the heating will turn off and the programme is stopped. The following message appears in the display:

Cottons	Normal
Drying	0:43 h
Peak load	

After the peak load function is deactivated the programme will continue automatically.

Display Service

If the following message appears in the display after "Poweron", Miele Service needs to perform a routine maintenance.



Press the short cut button , or wait approx. 5 seconds, the display will revert to the main menu.

After sales service

Repairs

In the event of any faults which you cannot remedy yourself, or if the tumble dryer is under guarantee, please contact

- the Miele Service Department (see back cover for contact details).

When contacting the Miele Service Department, please quote the model and serial number of your appliance both of which are shown on the data plate.

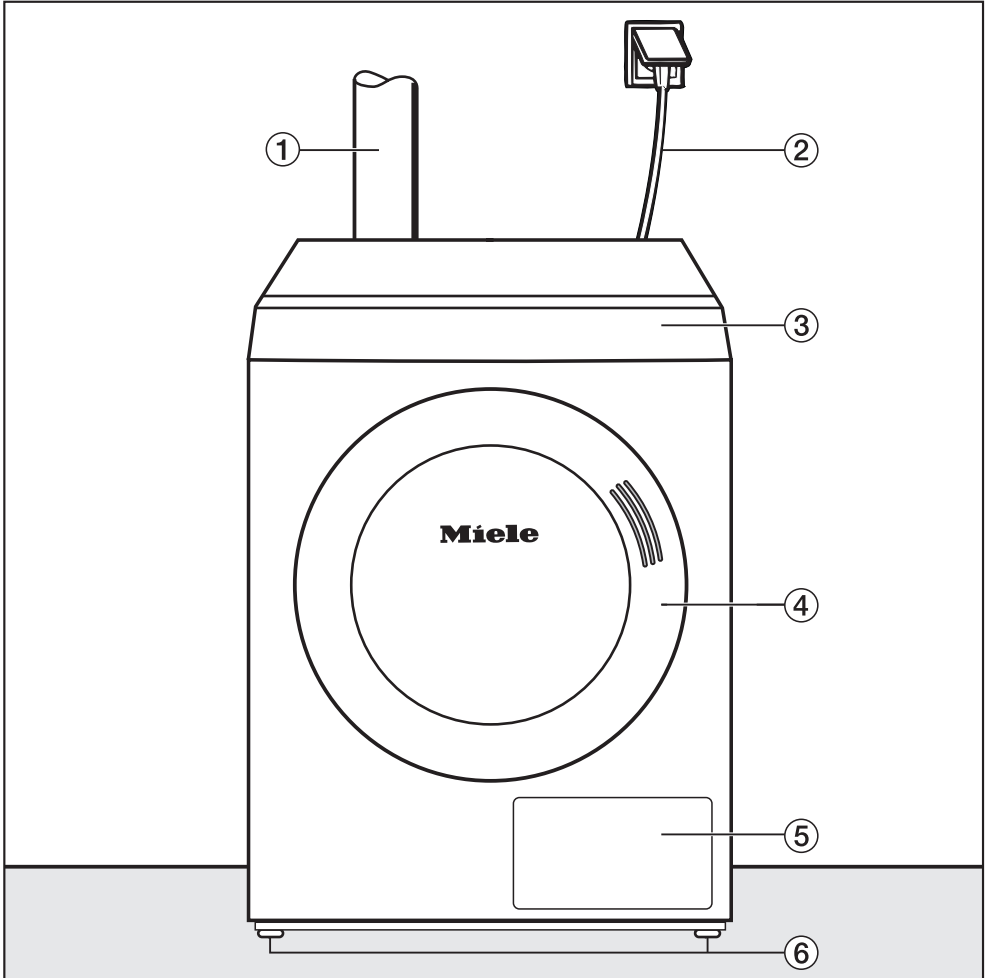
PC / Optical interface

The indicator or check light marked **PC** on the control panel is the interface used by Miele service technicians during servicing work for testing purposes and for updating the appliance's programme data.

Optional accessories

Optional accessories for this dryer (e.g. plinths) are available from Miele Professional.

Front view



① Vent ducting

② Mains connection cable

③ Control panel

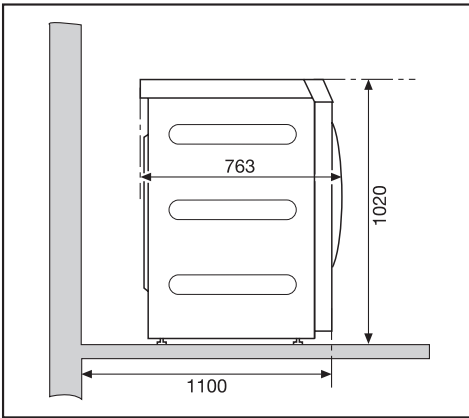
④ Door

⑤ Filter access panel

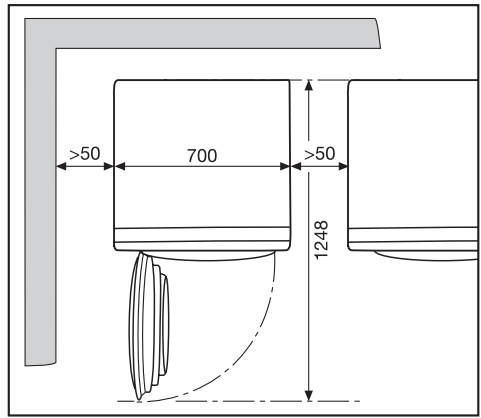
⑥ Four height adjustable screw feet

Installation and connection

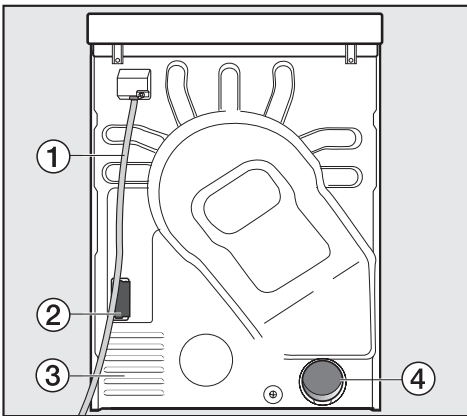
View from the side



View from above



Rear view



- ① Mains connection cable
 - ② Slot for communication module*
 - ③ Air inlet vents
 - ④ Exhaust socket \varnothing 100 mm
- (*Interface module optional accessory)

Dryer/Washer positioning

When installing dryer adjacent to a washer, the dryer should be placed left of the washer to avoid collisions of the doors.

Installation on a raised plinth

A range of Miele plinths are available as optional accessories.

⚠ If the tumble dryer is to be installed on an existing plinth, the dryer must be secured against slippage (see below, under "Installing the tumble dryer").

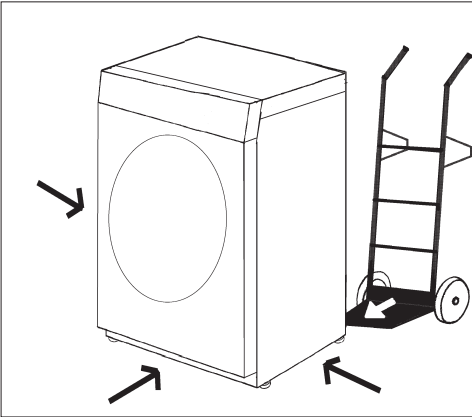
Payment system

The dryer can be fitted with a Payment system (optional accessory). This must be connected and programmed by a Miele Service technician.


⚠ Coins / tokens must be removed from the coin box regularly, otherwise it will become blocked.

Installing the tumble dryer


Moving the tumble dryer

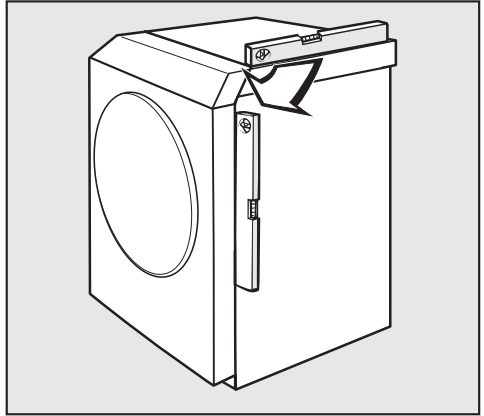



- Transport the tumble dryer to its installation site.

 Ensure the tumble dryer is stable during transportation.

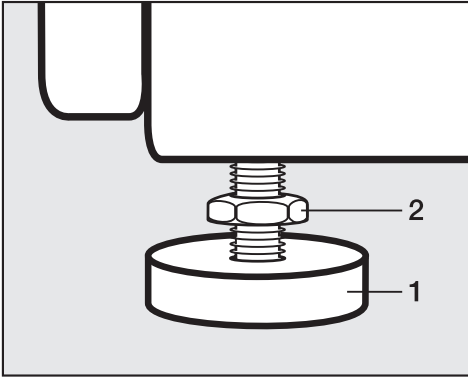
Levelling the tumble dryer

 Make sure the dryer door can be opened without hindrance after installation.



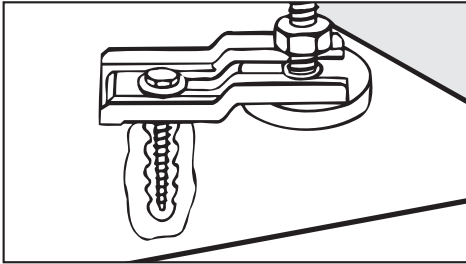
 The tumble dryer must be perfectly level to ensure safe operation.

Installation and connection



- Loosen the screws (2).
- The screw feet (1) can be adjusted to compensate for any unevenness in the floor.
- Turn the screws (2) so that they are tight against the housing.

Securing the tumble dryer against slippage



⚠ In the following cases, the feet of the tumble dryer **must** be secured with clamps* (available as an optional accessory).

- **If it is being installed on an existing plinth.**
Instead of using clamps, all-round plinth edging in the area of the feet of the dryer may be sufficient.
- **When a venting system with plastic piping is used.**
- **When the tumble dryer is being installed on a mobile or off-shore installation.**

* Clamps are supplied with tumble dryers that are designed for off-shore installation.

Room ventilation


⚠ As the air required for drying is drawn from the room in which the dryer is installed, the room must be sufficiently ventilated, e.g. by vents in the outside wall which are permanently open.

⚠ The tumble dryer draws air in from the back. For this reason, an appropriate gap must be maintained between the back of the dryer and the wall (see "Installation positions"). Do not block the gap between the bottom of the tumble dryer and the floor with plinth facings, deep pile carpet etc. This would hinder a sufficient flow of air to the dryer.


Installation and connection

Electrical connection

This appliance is supplied with connection cable and a NEMA L15-30P plug.

 The voltage, rated load and fuse rating are given on the data plate. Please ensure these match the site mains supply.

Connection to the electricity supply must only be carried out by a suitably qualified and competent person in strict accordance with current local and national safety regulations.

 Connection should be made via a suitable isolator or plug. This must be easily accessible for disconnecting the tumble dryer from the electrical supply.

If the appliance is hard-wired, provision must be made on site to switch off all poles. Switches with a minimum all-pole contact gap greater than 3 mm are suitable for isolating the appliance. These include circuit breakers, fuses and protective devices (IEC/EN 60947).


If the appliance is disconnected from the electricity supply ensure adequate measures are taken to ensure that the appliance cannot be reconnected to the electricity supply until all work has been carried out. For extra safety and protection we recommend connecting the machine by a 30mA residual current device (RCD).

Any changes to the electrical installation, including fitting or replacing circuit breakers and fuses and replacing the mains connection cable, must be carried out by an approved electrician to ensure compliance with all local and national electrical safety requirements.

 **WARNING:**
THIS APPLIANCE MUST BE EARTHED

Installation - extraction ducting

General

 Before operating the tumble dryer, a suitable ducting system must be installed to carry the moist air from the dryer to the outside.

The dryer must be disconnected from the mains electricity supply whilst the ducting system is installed.

The venting outlet (e.g. in a wall) should be installed in such a way that the moist expelled air:

- . . . cannot be drawn back into the room in which the dryer is installed;
- . . . cannot cause any damage to the building or other nuisance.

The dryer uses the room air. It is therefore essential to ensure adequate ventilation to avoid the **danger of asphyxia and toxic fumes** caused by gases given off by other appliances being drawn back into the room. Insufficient ventilation will also cause drying times to be considerably longer. Ventilation can be maintained by:

- an open window,
- air inlets in the external wall of a minimum of 150 cm² which cannot be closed or blocked, or
- a window switch which prevents the dryer being used when the window is closed.

Avoid:

- very long ducting systems.
- too many tight bends or corners.

Otherwise the drying result will be less effective, and it will take longer and use more energy.

Suitable materials

- for the ventilation ducting:
flexible ducting* or plastic piping with a diameter of at least 100 mm.
- for venting to the outside:
a wall vent kit* or a window vent kit*.

(* optional extras available from Miele Professional)

Installation - extraction ducting

To calculate the total duct length

Friction against the inner walls of the vent ducting will slow down the expelled air as it passes through the ducting. An elbow, bend, non-return flap or wall vent creates more friction than a straight duct. The friction created by each of these is expressed as an **additional duct length factor**. The additional duct length factors are calculated by comparing the friction created by, for example, an elbow to that created by 1 metre of straight plastic piping (see Table 1).

The additional duct length factor for each item needs to be added together to ascertain the **total duct length** which will be needed for the venting system. The total duct length is a means of calculating the friction created by the venting system as a whole.

A larger **internal duct diameter** also helps reduce friction. If the total duct length is **more than 20 m**, the duct diameter should be increased (see Table II).

Procedure

1. First measure the distance requiring straight ducting. Multiply this amount by the corresponding additional length factor in **Table I**.
2. Establish the number of angles, bends etc., and add their additional length factors together with the help of **Table I**.
3. Add all the additional length factors to give the total duct length.

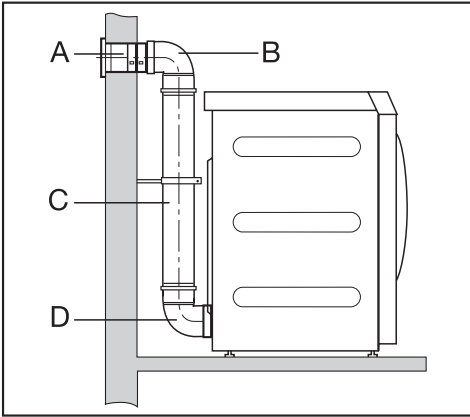
4. Refer to **Table II** for the appropriate duct diameter required.

Table I	
Component	Additional duct length factor
Flexible ducting*	
– 1 m laid <u>straight</u>	1.8 m
– 45° angle (Bend radius = 0.25 m)	1.5 m
– 90° angle (Bend radius = 0.25 m)	2.5 m
Flexible aluminium ducting*/plastic piping	
– 1 m laid <u>straight</u> , or 1 m straight pipe	1.0 m
– 45° angle (Bend radius = 0.25 m)	0.6 m
– 90° angle (Bend radius = 0.25 m)	0.8 m
Wall vent kit* or window vent kit*	
– with louvred grill	3.8 m
– with non-return flap (hinged flap)	1.5 m
Non-return flap* (see "Venting more than one dryer via the same venting system")	14.3 m
* accessory available to order	

Table II	
Maximum total duct length	Internal duct diameter required
20 m	100 mm
40 m	125 mm
80 m	150 mm

Installation - extraction ducting

Calculation example

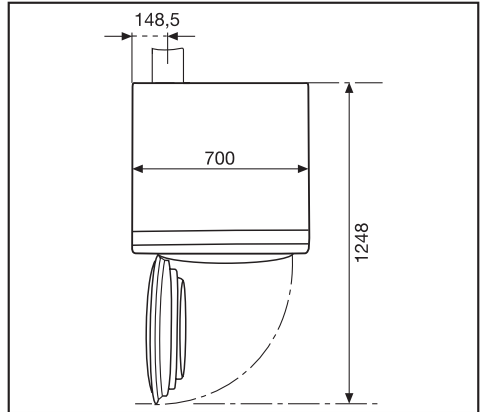


A	Wall pipe, with louvred vent	= 1 x 3.8 m Additional duct length	= 3.8 m
B/D	2 bends, 90°	= 2 x 0.8 m Additional duct length	= 1.6 m
C	0.5 m plastic piping	= 0.5 x 1 m Additional duct length	= 0.5 m
Total duct length			= 5.9 m

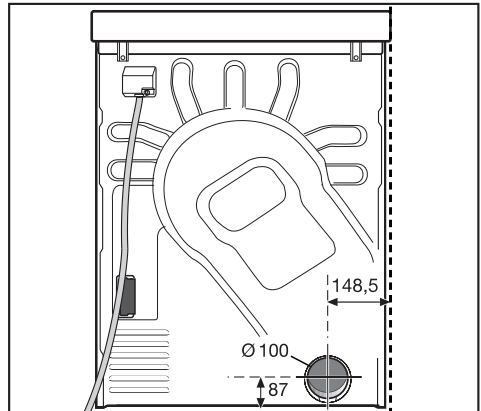
Result: A duct diameter of 100 mm is adequate as the total duct length is less than the 20 m specified in Table II.

Exhaust socket dimensions

View from above



Rear view



Installation - extraction ducting

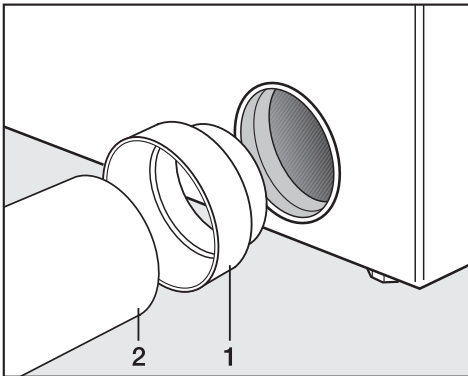
Venting system with plastic piping

Plastic piping can be fitted using an adapter.

The following items are required:

- an adapter.
- a wall vent kit* or window vent kit*.
- suitable plastic piping, available from a ventilation installer. Where the pipe diameter is more than 100 mm, an adapter is necessary (e.g. 100 to 125 mm) to connect the pipe to the dryer.

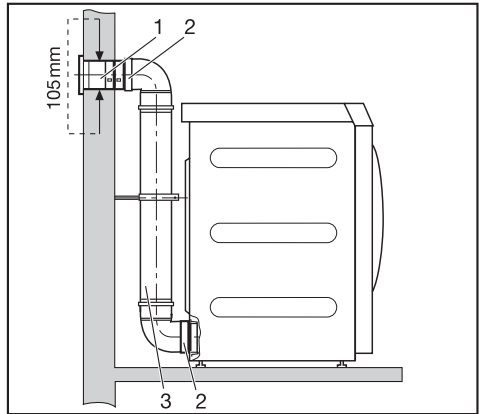
(* optional accessory)



- Fit the adapter (1) and pipe (2), as shown.

Secure the tumble dryer against slippage, e.g. with clamps.

Example: Wall vent



1. Wall vent kit
(separate fitting instructions are supplied with the Miele wall vent kit)
2. Adapter
3. Plastic piping,
diameter DN 100

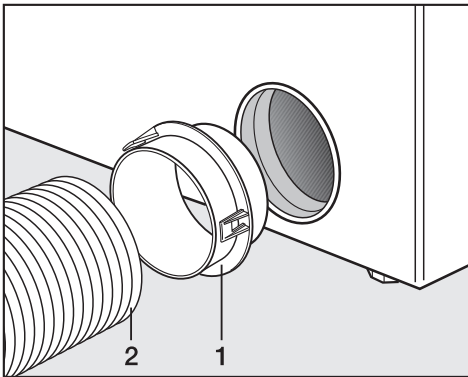
Venting system with flexible ducting

Flexible ducting can be fitted using an adapter.

The following items are required:


- an adapter.
- flexible ducting hose*
- a wall vent kit* or window vent kit*.

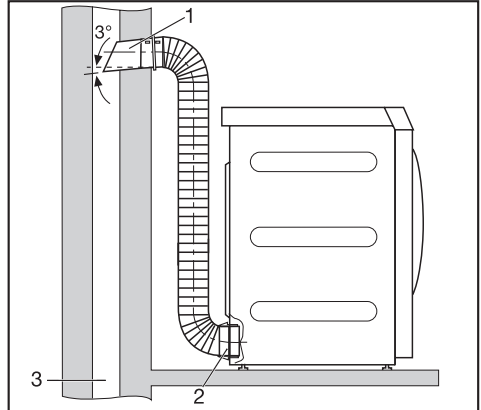
(* optional accessory)



- Fit the adapter (1) and flexible ducting hose* (2), as shown.

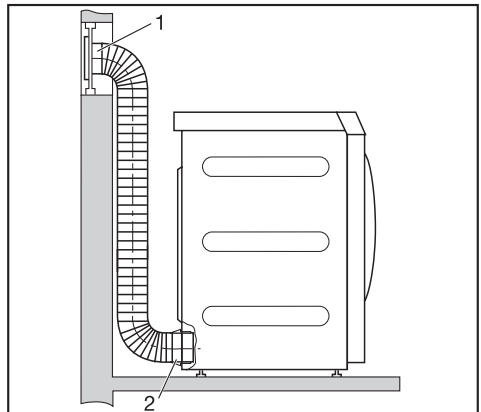
Example: Connection to an exhaust flue

 The exhaust air must not be vented into a chimney or vent flue which is in use, nor should it be connected to ducting which ventilates rooms with fireplaces.



1. Pipe with connection piece (= supplied with wall vent kit)
2. Adapter for flexible ducting hose
3. Exhaust flue insulated against damp

Example: Window vent



1. Window vent kit (fitted in a "plexiglass" pane) (separate fitting instructions are supplied with the Miele window vent kit)
2. Adapter for flexible ducting hose

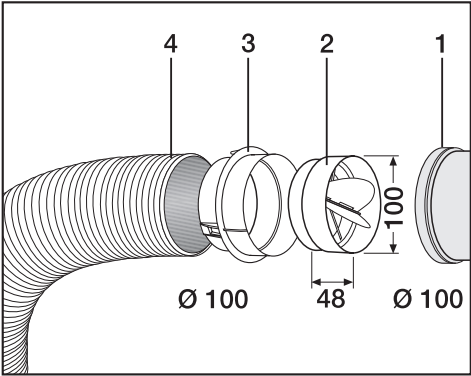
Installation - extraction ducting

Venting more than one dryer via the same ducting system

Building regulations approval may be required. Contact your local planning authorities for advice.

⚠ For each dryer there **must** be one non-return flap **R** installed directly on the main venting duct. The items required for this are available as optional accessories (see right).

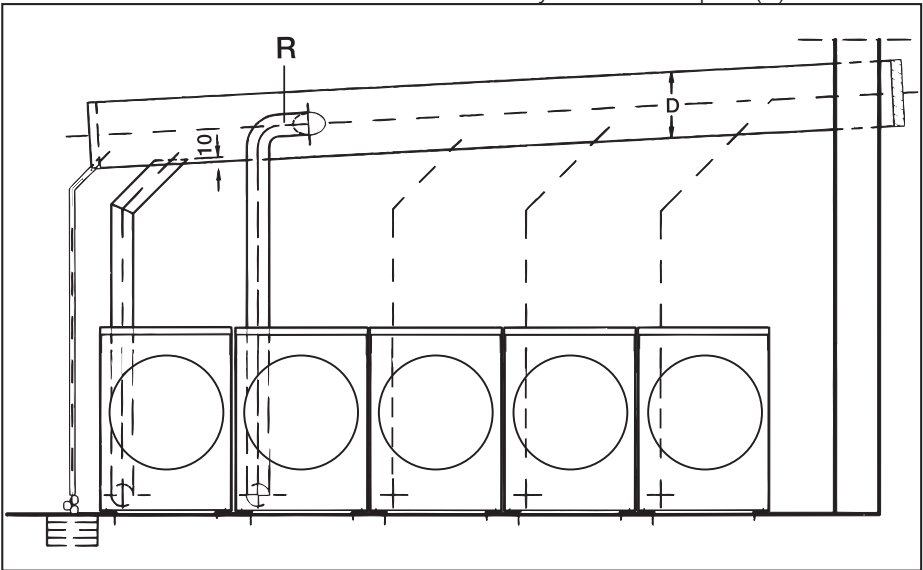
⚠ Otherwise condensation could trickle back into the dryer causing damage and endangering its electrical safety.



When installing 3 to max. 5 dryers, pipe diameter **D** must be increased.

Number of dryers	Magnification factor for the pipe diameter from Table II
3	1.25
4 - 5	1.5

- 1 Connection to the main venting duct
 - 2 Miele non-return flap*
 - 3 Additional Miele adapter*
 - 4 Miele flexible ducting hose*
- Push the non-return flap (2) all the way into the adapter (3).



Technical data

Height	1,020 mm
Width	700 mm
Depth	763 mm
Depth with door open	1,248 mm
Weight	77 kg
Drum volume	180 l
Maximum capacity	8 kg dry weight
Length of connection cable	1,600 mm
Voltage	See data plate
Connected load	
Fuse rating	
Lamp wattage	
Test certificates awarded	
Max. load bearing in operation	1000 N (approx. 100 kg)
Product safety standard	According to EN 10472, EN 60335
Emission sound pressure level in accordance with EN ISO 11204/11203	< 70 dB re 20 µPa

