







Operating instructions Heat pump tumble dryer



It is **essential** to read these operating instructions before installing and using the appliance. This prevents both personal injury and damage to the appliance.

Contents

Caring for the environment	6
Warnings and safety instructions	7
Operating the tumble dryer	19
Control panel.....	19
How the sensors work.....	20
Before using for the first time	21
Installation.....	21
Downtime after installation.....	21
Information about networking.....	21
Miele@home.....	21
Wash2Dry  	22
Energy saving tips	24
1. Notes on correct laundry care	25
Points to note regarding washed laundry	25
Preparing the laundry before drying.....	25
Drying.....	26
Care symbols.....	26
Selecting the correct drying level.....	26
2. Loading the tumble dryer	27
Loading the laundry.....	27
Checking the FragranceDos socket	27
3. Selecting a programme and starting it	28
Switching on the tumble dryer	28
Selecting a programme	28
1. Selecting drying programmes using the programme selector	28
2. Selecting drying programmes via the MobileStart  programme selector position	28
3. Selecting a drying programme via the Wash2Dry   programme selector position	28
Selecting programme settings	29
Selecting the drying level.....	29
Selecting the programme running time for <i>Warm air/DryFresh</i>	30
Selecting DryCare 40	30
4. Removing the laundry at the end of the programme	32
End of programme/Anti-crease	32
Removing the laundry	32
 Delay start/SmartStart	33
SmartStart.....	34
Programme chart	35

Changing the programme sequence	38
Changing a programme after it has started.....	38
Adding or removing laundry.....	38
Condensed water container	39
Emptying the condensed water container.....	39
Fragrance flacon	40
FragranceDos.....	40
Removing the protective seal from the fragrance flacon.....	40
Inserting the fragrance flacon.....	41
Opening the fragrance flacon.....	42
Closing the fragrance flacon.....	42
Removing/replacing the fragrance flacon.....	43
Cleaning and care	44
Fluff filters.....	44
Removing the fragrance flacon.....	44
Removing visible fluff.....	44
Cleaning the fluff filters and air flow openings thoroughly.....	45
Cleaning the fluff filters with water.....	46
Cleaning the plinth filter.....	47
Removing the plinth filter.....	47
Cleaning the plinth filter.....	48
Cleaning the plinth filter flap.....	50
Cleaning the dryer.....	50
Problem solving guide	51
Indicator lights or information in the time display triggered when a programme is cancelled.....	51
Indicator lights or information in the time display.....	53
Unsatisfactory drying results.....	54
The drying process takes a long time.....	55
Other problems.....	56
Replacing the plinth filter.....	58
Regenerating the plinth filter.....	60
Checking the heat exchanger.....	60

Contents

Service	61
Contact in case of fault.....	61
Optional accessories	61
Warranty	61
Installation	62
Front view	62
Rear view	63
Transporting the tumble dryer	63
Transporting the tumble dryer to its installation site.....	63
Installation.....	64
Levelling the dryer.....	64
Downtime after installation.....	64
Ventilation.....	65
Before moving the tumble dryer again (e.g. when moving house)	65
Additional installation requirements.....	66
Externally draining condensed water.....	67
Installation conditions requiring a non-return valve	67
Arranging the drain hose.....	67
Examples.....	68
Changing the door hinging	70
Changing the hinging over	70
Refitting.....	75
Electrical connection	76
Technical data	77
Consumption data	78

Programmable functions	79
Programming.....	79
<i>P01</i> Cottons drying levels.....	80
<i>P02</i> Minimum iron drying levels	80
<i>P04</i> Cooling temperature	81
<i>P05</i> Buzzer volume.....	81
<i>P06</i> Keypad tone.....	81
<i>P07</i> PIN Code.....	81
<i>P08</i> Conductivity	82
<i>P11</i> Control panel standby status	82
<i>P13</i> Memory	82
<i>P14</i> Anti-crease.....	83
<i>P19</i> Buzzer is active.....	83
<i>P20</i> Airways indicator	83
<i>P22</i> Backlight brightness dimmed	83
<i>P00</i> factory default setting.....	83
Network	84
Switching off Wi-Fi.....	84
<i>P24</i> RemoteUpdate	84
<i>P31</i> Remote control	85
<i>P32</i> SmartGrid (only functional in selected countries)	85
Copyright and licences for the communication module.....	86

Caring for the environment

Disposal of the packing material

The transport and protective packaging has been selected from materials which are environmentally friendly for disposal, and can normally be recycled.

Recycling the packaging reduces the use of raw materials in the manufacturing process and also reduces the amount of waste in landfill sites.

Ensure that any plastic wrappings, bags etc. are disposed of safely and kept out of the reach of babies and young children. Danger of suffocation.

Only for Australia: Note for installer: Expanded polystyrene (EPS) packaging included. Please retain and dispose of EPS packaging responsibly. For further information, please contact Miele.

Disposing of your old appliance

Electronic and electrical appliances contain many valuable materials. They also contain certain materials, compounds and components which were essential for their correct functioning and safety. These could be hazardous to your health and to the environment if disposed of with general waste or if handled incorrectly. Please do not, therefore, dispose of your old appliance with your household waste.



Take care not to damage the tumble dryer's pipework and heat exchanger before or during transportation to an authorised collection depot.

This is to ensure that refrigerant in the tumble dryer and oil in the compressor are contained, and will not leak into the environment.

Please dispose of it at your local community waste collection/recycling centre for electrical and electronic appliances, or contact Miele. You are also responsible for deleting any personal data that may be stored on the appliance being disposed of. Please ensure that your old appliance presents no danger to children while being stored awaiting disposal.

Warnings and safety instructions



It is essential to read these instructions.



This tumble dryer contains a refrigerant that is flammable and explosive.

This tumble dryer complies with all current local and national safety requirements. However, inappropriate use can lead to personal injury and damage to property.

Read the operating instructions carefully before using the tumble dryer. They contain important information on safety, installation, use and maintenance of the appliance. This prevents both personal injury and damage to the tumble dryer.

In accordance with standard IEC 60335-1, Miele expressly and strongly advises that you read and follow the instructions in “Installation”, as well as in the “Warning and Safety instructions”.

Miele cannot be held liable for injury or damage caused by non-compliance with these instructions.

Keep these operating instructions in a safe place and pass them on to any future owner.

Warnings and safety instructions

Correct application

▶ This tumble dryer is designed for domestic use and for use in similar environments by guests in hotel or motel rooms, bed & breakfasts and other typical living quarters. This does not include common/shared facilities or commercial facilities within hotels, motels or bed & breakfasts.

▶ This tumble dryer is not suitable for outdoor use.

▶ It must only be used to dry items which have been washed in a water solution and which are marked on the manufacturer's care label as being suitable for tumble drying. If using dry cleaning kits, do so at your own risk, and follow the instructions provided on the packaging.

Any other applications may be dangerous. Miele cannot be held liable for damage resulting from incorrect or improper use or operation.

▶ This appliance is not intended for use by persons (including children) with reduced physical, sensory or mental capabilities, or lack of experience or knowledge, unless they are supervised whilst using it or have been shown how to use it by a person responsible for their safety.

Safety with children

▶ Young children must not be allowed to use this appliance.

▶ Older children may only use the appliance when its operation has been clearly explained to them and they are able to use it safely, recognising the dangers of misuse.

▶ Children must not be allowed to clean or maintain the tumble dryer unsupervised.

▶ Please supervise children in the vicinity of the tumble dryer and do not let them play with it.

Technical safety

▶ Before setting up the tumble dryer, check it for any externally visible damage.

Do not install or use a damaged tumble dryer.

▶ Before connecting the tumble dryer, ensure that the connection data on the data plate (fuse rating, voltage and frequency) matches the mains electricity supply. If in any doubt, consult a qualified electrician.

▶ Temporary or permanent operation with a self-sufficient or non-mains synchronous energy supply system (e.g. isolated networks, back-up systems) is possible. A requirement for the operation is that the energy supply system complies with all current local and national requirements that apply to stand-alone, solar and/or battery systems. The protective measures provided in the installation and in this Miele product must also be assured in their function and operation in isolated operation or in non-mains synchronous operation, or replaced with equivalent measures in the installation.

▶ The electrical safety of this tumble dryer can only be guaranteed when correctly earthed. It is essential that this standard safety requirement is met. If in any doubt, please have the household wiring system tested by a qualified electrician. Miele cannot be held liable for the consequences of an inadequate earthing system (e.g. electric shock).

▶ Do not connect the tumble dryer to the mains electricity supply by an extension lead. Extension leads do not guarantee the required safety of the appliance (e.g. danger of overheating).

▶ If the connection cable is faulty, it must only be replaced by a Miele authorised technician to protect the user from danger.

Warnings and safety instructions

- ▶ Unauthorised repairs could result in unforeseen dangers for the user, for which Miele cannot accept liability. Repairs should only be undertaken by a Miele authorised service technician, otherwise any subsequent damage will not be covered by the warranty.
- ▶ Faulty components must only be replaced by genuine Miele spare parts. Miele can only guarantee the safety of the appliance when Miele replacement parts are used.
- ▶ In the event of a fault or for cleaning purposes, the tumble dryer is only completely isolated from the electricity supply when:
 - it is switched off at the wall socket and the plug is withdrawn, or
 - it is switched off at the mains circuit breaker.
- ▶ This tumble dryer must not be installed and operated in mobile installations (e.g. on a ship).
- ▶ Do not make any alterations to the tumble dryer, unless authorised to do so by Miele.

Warnings and safety instructions

► This tumble dryer is supplied with a special lamp to cope with particular conditions (e.g. temperature, moisture, chemical resistance, abrasion resistance and vibration). This special lamp must only be used for the purpose for which it is intended. It is not suitable for room lighting. Replacement lamps may only be replaced by a Miele authorised technician.

► This tumble dryer uses a gaseous refrigerant which is condensed by the compressor. Having been increased to a high temperature level by compression, the refrigerant passes through a closed refrigerant circuit. The heat generated is transferred to the drying air as it passes through the heat exchanger.

- The humming noises caused by the heat pump during the drying process are normal. They do not impair the correct functioning of the dryer.
- The refrigerant is environmentally friendly and does not damage the ozone layer.

 Damage to the tumble dryer by switching it on too soon.

This can damage the heat pump.

After setting up the tumble dryer, wait for at least one hour before starting a drying programme.

Warnings and safety instructions



- ▶ The R290 refrigerant contained in this tumble dryer is flammable and explosive. If the tumble dryer is damaged, proceed as follows:
 - Avoid naked flames or anything which creates a spark.
 - Disconnect the dryer from the electricity supply.
 - Air the room where the tumble dryer is located.
 - Contact Miele Customer Service.

 Risk of fire and explosion due to damage to the tumble dryer.

The refrigerant is flammable and explosive if it leaks.

Take measures to protect the tumble dryer against damage. Do not make any alterations to the tumble dryer.

- ▶ Follow the instructions in “Installation” and “Technical data”.
- ▶ The plug and socket must be accessible at all times in order to be able to disconnect the tumble dryer from the power supply.
- ▶ Do not block the gap between the bottom of the tumble dryer and the floor with plinth facings, deep pile carpet etc. This would hinder a sufficient flow of air to the tumble dryer.
- ▶ Make sure the dryer door can be opened without hindrance after installation.
- ▶ In areas which may be subject to infestation by cockroaches or other vermin, pay particular attention to keeping the appliance and its surroundings in a clean condition at all times. Any damage which may be caused by cockroaches or other vermin will not be covered by the warranty.

Correct use



WARNING:
FLAMMABLE MATERIAL

⚠ Warning: Risk of fire / Flammable materials.

To avoid the possible danger of fire, please read these warnings carefully.

⚠ A clogged filter is a fire hazard!

The fluff filter must be cleaned after every programme.

- ▶ The maximum load for this tumble dryer is 9.0 kg (dry weight). See the “Programme chart” for the maximum recommended loads for individual programmes.
- ▶ To prevent the risk of fire, do not connect the tumble dryer via a controllable socket (e.g. a timer or a peak-load switch-off device). If the drying programme is interrupted before the end of the cooling down phase, this could cause the laundry to self-ignite.
- ▶ **Warning:** Ensure that you always wait until the end of the programme before removing the laundry. If the drying programme is stopped prematurely, remove the laundry immediately and hang it up or spread it out to cool it down.
- ▶ Fabric softener and similar products must be used according to the instructions on the manufacturer's packaging.
- ▶ Remove all items from pockets (e.g. lighters, matches).
- ▶ The fluff filters must be cleaned after every drying cycle. Fluff must not be allowed to accumulate around the tumble dryer.
- ▶ The fluff filters and the plinth filter must be thoroughly dried after cleaning. Do not replace them if they are damp or wet. Damp or wet filters could cause operational faults.

Warnings and safety instructions

▶ Oil-affected items can ignite spontaneously, especially when exposed to heat sources such as in a tumble dryer.

The items become warm, causing an oxidation reaction in the oil. Oxidation creates heat.

If the heat cannot escape, the items can become hot enough to catch fire. Piling, stacking or storing oil-affected items can prevent heat from escaping and so create a fire hazard.

If it is unavoidable that fabrics contaminated with vegetable or cooking oil, or hair care products, are placed in a tumble dryer, they should first be washed in hot water with extra detergent - this will reduce, but not eliminate, the hazard.

▶ To prevent the risk of fire, textiles that have not been cleaned thoroughly or are still soiled with deposits of any kind must not be dried in this tumble dryer. This applies in particular to

- Items which have not been washed.
- Items, such as workwear, which have not been thoroughly cleaned and are still soiled with grease, oil or other deposits (such as cooking oils, cosmetics, lotions, etc.). If items have not been thoroughly cleaned, there is a danger that they might ignite when heated, even after they have been removed from the tumble dryer at the end of the programme.
- Items that have been soiled with substances such as cooking oil, acetone, petrol, kerosene, spot removers, turpentine, waxes, wax removers and other chemicals (e.g. mops and floor cloths).
- Items which have been splashed with hair lacquer, hair spray, nail varnish remover or similar substances.

When washing such heavily soiled items:

Ensure that you use a larger quantity of detergent and select a high temperature. If in doubt, wash the items several times.

Warnings and safety instructions

▶ To prevent the risk of fire, the following textiles must never be dried in the tumble dryer:

- Textiles that have been cleaned using chemicals (e.g. professional dry-cleaning agents).
- Textiles which contain a large proportion of rubber, foam rubber or rubber-like materials. For example, products made from latex foam rubber, shower caps, waterproof textiles, rubberised articles and items of clothing and pillows with foam rubber filling.
- Textiles which contain padding or fillings which are damaged (e.g. pillows, jackets). The filling could fall out and cause a fire.

▶ The heat pump that is essential to the operation of this tumble dryer generates a lot of heat inside its casing. It must be possible to dissipate this heat well. Otherwise loads could take longer to dry or the tumble dryer might sustain damage in the long term.

The following mandatory requirements must be met:

- permanent room ventilation from the beginning to the end of every drying programme.
- a gap between the floor and the bottom of the tumble dryer (this must not be blocked or obstructed in any way).

▶ The tumble dryer must not be hosed down.

▶ Do not let anyone sit or lean on the door, as this can cause the tumble dryer to tip up.

▶ In many programmes, the heating phase is followed by a cooling down phase to ensure that the items are not too hot to handle when you remove them (this also avoids the danger of the laundry self-igniting). The programme is not finished until the cooling down phase has been completed.

As soon as the programme has finished, remove all laundry from the drum.

▶ Always close the door after use. This way you will avoid the danger of:

- children climbing onto or into the dryer or hiding things in it.
- pets or other small animals climbing into it.

▶ The tumble dryer must not be used

- without the fluff filters in place or with damaged fluff filters.
- without the plinth filter in place or with a damaged plinth filter.

Warnings and safety instructions

This would cause an excessive build-up of fluff which in turn would cause a fault.

▶ Do not install the tumble dryer in a room where there is a risk of frost. At temperatures around freezing point, the tumble dryer may not be able to operate properly. There is a risk of damage if the condensed water is allowed to freeze in the pump and drain hose. The permitted room temperature is between 2 °C and 35 °C.

▶ If the water is drained externally through the drain hose instead of being collected in the condensed water container, make sure the drain hose is securely attached if you hang it in a laundry tub to avoid the hose slipping and the water causing damage.

▶ Condensed water is not drinking water.
It can cause health problems in both people and animals.

▶ Always keep the area around the tumble dryer free of dust and fluff.

Dust drawn into the tumble dryer can cause blockages in the heat exchanger over time.


Using a fragrance flacon (optional accessory)

- ▶ Only use genuine Miele original fragrance flacons.
- ▶ The fragrance flacon must be stored in its packaging so please make sure you retain this.
- ▶ Caution. The fragrance can run out of the flacon. Make sure that you always keep the flacon, or the fluff filter with the flacon inserted in it, upright when carrying and do not tip it or place it down on any surface.
- ▶ Use an absorbent cloth immediately to wipe up any fragrance which has run out of the flacon onto the floor, the dryer or any dryer components (e.g. the fluff filter).
- ▶ If fragrance which has run out of a flacon should come in contact with the **skin** - wash the skin thoroughly with soap and water; come in contact with the **eyes** - rinse the eyes with clean water for at least 15 minutes; be swallowed - rinse out the **mouth** thoroughly with clean water. Seek medical advice in the case of contact with the eyes or if fragrance has been swallowed.
- ▶ If fragrance which has run out of a flacon comes in contact with clothing, change the clothing immediately. Wash the clothing or any cloths used for mopping up fragrance thoroughly with plenty of water and detergent.
- ▶ There is the risk of fire or damage to the tumble dryer if the following instructions are not observed:
 - Never refill a flacon with fragrance.
 - Never use a faulty fragrance flacon.
- ▶ Dispose of an empty fragrance flacon with the household waste and never use it for any other purpose.
- ▶ Please also observe the information supplied with the fragrance flacon.

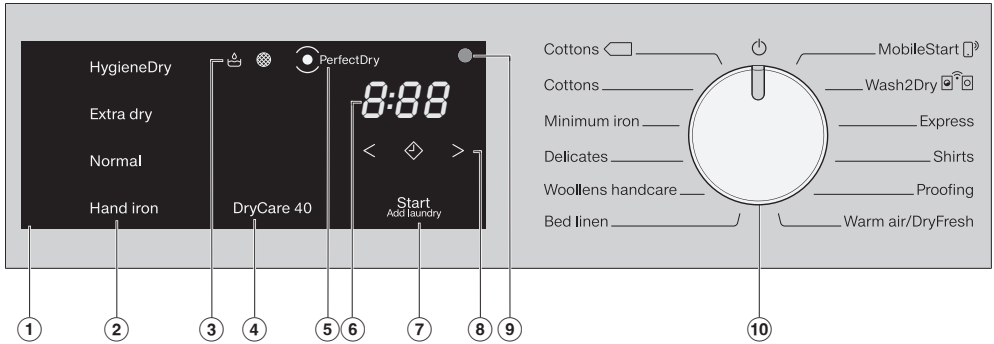
Warnings and safety instructions

Accessories

- ▶ Only use genuine Miele spare parts and accessories with this appliance. If spare parts or accessories from other manufacturers are used, this will invalidate the warranty, and Miele cannot accept liability.
- ▶ A Miele tumble dryer can be stacked on top of a Miele washing machine using the appropriate stacking kit (available as an optional accessory). Please make sure you order the correct one for the Miele washing machine and Miele tumble dryer.

 Miele cannot be held liable for damage caused by non-compliance with these Warning and Safety instructions.

Control panel



① Control panel


The control panel consists of various sensors, a time display and indicator lights.

② Sensors for drying levels

After selecting a programme with a selectable drying level using the programme selector, the recommended drying level lights up. The drying levels that can be selected for the corresponding programme are dimly lit.

③ Indicator lights

(These light up when necessary.)


 Empty the condensed water container.


 Clean the fluff and plinth filters.

④ DryCare40 sensor

For protecting temperature-sensitive fabrics.

⑤ PerfectDry indicator

 flashes after the programme has started and switches off when the running time is displayed. *PerfectDry* measures the residual moisture of the laundry. In programmes with selectable drying levels, *PerfectDry* dries the laundry precisely, although the result is also influenced by the calcium content of the water.

 lights up towards the end of the programme once the selected drying level has been reached, except in the case of the *Woollens handcare*, *Warm air/DryFresh* programmes.

Operating the tumble dryer

⑥ Time display

After the programme has started, the programme duration will appear in the display in hours and minutes.

- When Delay start is being used, the programme duration will appear after the Delay start time has elapsed.
- With most programmes, the running time displayed may vary or “jump”. The following factors, among others, affect the programme duration displayed: the quantity of laundry, the type of fabric and the residual moisture in the laundry. The electronic module adapts to these factors with increasing accuracy.



⑦ Start/Add laundry sensor

Touching the *Start/Add laundry* sensor starts a programme. The current programme can be interrupted to add laundry. The programme can be started when the sensor is flashing on and off. The sensor lights up constantly once the programme has started.

⑧ Sensors

For the Delay start function or the *Warm air/DryFresh* programme running time



After touching the  sensor, a later start time for the programme (Delay start) can be selected. Once selected,  lights up brightly.




The < or > sensors are used for selecting the duration of the Delay start period or the duration of the *Warm air/DryFresh* programme.

⑨ Optical interface

For service technicians.

⑩ Programme selector

For selecting programmes and for switching off the appliance. The tumble dryer is switched on by selecting a programme and switched off by turning the programme selector to the  position. If the tumble dryer is connected to the Wi-Fi network, you will have access to the following alternative options for selecting programmes.



MobileStart

You can operate your tumble dryer remotely with the Miele App.



Wash2Dry

A drying programme tailored to the laundry is set in conjunction with the connected washing machine.

How the sensors work

The ②, ④, ⑦, and ⑧ sensors react to fingertip contact. Selection is possible as long as the respective sensor is illuminated.

If a sensor is brightly lit, this means it is currently selected.

If a sensor is dimly lit, this means it can be selected.

Installation

Before using the appliance for the first time, check that you have followed all the instructions under “Installation”.

Read these operating instructions, paying particular attention to the information provided under “Installation”.


Removing the protective foil and advertising stickers

■ Remove:

- the protective foil from the door (if present).
- any advertising stickers from the front and the lid.

Please do not remove any labels (e.g. the data plate) which are visible when you open the door.

Downtime after installation

 Damage to the tumble dryer by switching it on too soon.

This can damage the heat pump. After setting up the tumble dryer, wait for at least one hour before switching it on.

Information about networking

Miele@home

Your tumble dryer is equipped with an integrated Wi-Fi module.

In order to use it you need:

- a Wi-Fi network
- the Miele App
- a Miele user account. The user account can be created via the Miele App.

The Miele App will guide you as you connect your tumble dryer to your home Wi-Fi network.

Once your tumble dryer is connected to your Wi-Fi network, you can use the App, for example, to carry out the following activities:

- Operate the tumble dryer remotely
- Call up information on the operating status of your appliance
- Call up information on the programme sequence of your tumble dryer

Connecting your tumble dryer to your Wi-Fi network will increase energy consumption, even when the tumble dryer is switched off.

Before installing the tumble dryer in its final location, ensure the signal strength of your Wi-Fi network is sufficient.

Before using for the first time

Availability of the Wi-Fi connection

The Wi-Fi connection shares a frequency range with other appliances (including microwave ovens and remote control toys). This may result in sporadic or even complete connection failures. Therefore, a constant availability of featured functions cannot be guaranteed.

Miele@home availability

The ability to use the Miele App depends on the availability of the Miele@home service in your country.

The Miele@home service is not available in every country.

For information about availability, please visit www.miele.com.

Miele App

You can download the Miele App from the Apple App Store® or the Google Play Store™ free of charge (only functional in selected countries).



Wash2Dry

Once the wash programme has completely finished, the Miele washing machine transfers the programme data via the router to which the networked tumble dryer is also connected, as well as transferring it to the Miele Cloud. The tumble dryer automatically sets a drying programme tailored to the laundry based on the transferred programme data.

All you need to do is start the drying programme once you have loaded the tumble dryer. No further programme settings are required on the tumble dryer.

The drying programme must be started within 24 hours of the end of the wash programme. The data will be kept available for the tumble dryer during this period, but will be overwritten when a new wash programme ends.

Useful tip: Do not disconnect the tumble dryer from the network. The programme data transferred by the washing machine will be received by the tumble dryer as soon as you select *Wash2Dry*.

If you have disconnected the appliance from the network beforehand, this will cause a delay in receiving the data.

In order to use the *Wash2Dry* function, the Miele washing machine and tumble dryer must be networked using Miele@home services.

Useful tip: Set up Miele@home as described in these operating instructions.

Before using for the first time

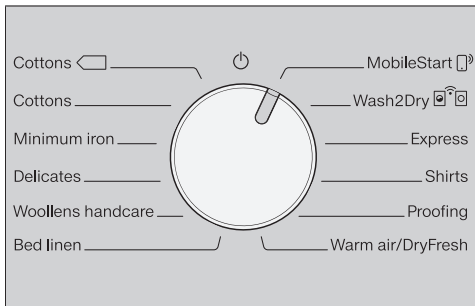
Setting up Miele@home

There are 2 ways of connecting:

1. Via the Miele App (default)
2. Via WPS
To do so, you will need a WPS-compatible router.

Logging in via the Miele App

The Miele App can be used to connect to your network.





- Turn the programme selector to *MobileStart* .

APP appears in the time display and the timeout starts to count down from 10 minutes. The Miele App will guide you through the remaining steps.

When you have successfully connected, *Con* will appear in the time display.

Logging in via WPS

- Turn the programme selector to *MobileStart* .
- Touch the  sensor until *WPS* appears in the time display and a short keypad tone sounds.

The timeout time then starts to count down from 2 minutes in the time display.

- Activate the WPS function on your router within 2 minutes.

When you have successfully connected, *Con* will appear in the time display.

Useful tip: If the connection has not been set up when the timeout time has finished counting down, repeat the process.

Follow the procedure for using for the first time outlined in these instructions

- Refer to “1. Notes on correct laundry care” and “2. Loading the tumble dryer”.
- You can then load the tumble dryer and select a programme as described in “3. Selecting a programme and starting it”.

Energy saving tips

This dryer with heat-pump technology is designed for energy-saving drying cycles. You can save even more energy with the following measures, because the drying time is not extended unnecessarily.

- Make sure your laundry is spun at the maximum spin speed before drying. The higher the spin speed, the greater the savings that can be made in energy and time during drying, e.g. approx. 20% energy can be saved if spinning laundry at 1600 rpm instead of 1000 rpm.
- Use the maximum load quantity for the drying programme being used. This will mean that the energy consumption for the amount of laundry is the most economical.
- Make sure that the room temperature is not too high. If there are other heat producing appliances in the room in which the dryer is located, make sure the room is well ventilated and switch the other appliances off, if possible.
- Clean the fluff filters in the door opening after every drying cycle.

Please refer to “Cleaning and care” for information on cleaning the fluff filters and the plinth filter.


- If possible, make use of time-variable, low-cost electricity tariffs. Ask your energy supplier for information. Your tumble dryer's Delay start function will be useful as you can select when during the next 24 hours you want drying to start automatically.

1. Notes on correct laundry care

Points to note regarding washed laundry


- When washing very heavily soiled items, ensure that you use sufficient detergent and select a high temperature. If in doubt, wash the items several times.
- Do not put soaking wet items into the tumble dryer. Make sure your laundry is thoroughly spun before drying. The higher the spin speed, the greater the savings that can be made in energy and time during drying.
- New dark coloured garments should be washed and dried separately from light coloured garments to avoid the risk of colours running and discolouring other garments or even plastic components in the dryer. Dark coloured fibres can also settle on light coloured garments and vice versa.
- Starched laundry can be dried in the tumble dryer. To achieve the usual finish, double the amount of starch should be used.

Preparing the laundry before drying

 Damage due to foreign objects which were not removed from the laundry.

Foreign objects can melt, burn, or explode.

Ensure that any foreign objects, e.g. detergent dispensing balls, lighters, etc. have been removed from the laundry.

 Risk of fire due to incorrect use and operation.

The laundry can burn and destroy the dryer and the surroundings.

See “Warning and Safety instructions” for further information.

- Sort the laundry according to the type of fibre and weave, size, garment care label symbol and the drying level required.
- Check seams and stitching to ensure that padding and linings are intact. This way you will avoid the danger of fillings coming out. These could catch fire when being dried.
- Untangle the laundry.
- Tie together textile belts and apron ties.
- Fasten duvet covers and pillow cases to prevent small items from being rolled up inside them.
- Fasten hooks and eyes.
- Leave jackets open and undo any long zips so that textiles dry evenly.
- Sew in or remove loosened underwiring from bras.
- Reduce the size of the load. Minimum iron fabric tends to crease more the larger the load. This is particularly the case for garments made from very fine weave fabric, such as shirts or blouses.




1. Notes on correct laundry care

Drying



Useful tip: See the “Programme chart”, which contains everything you need to know about programmes and load sizes.

- Always observe the maximum recommended load for each programme. This will mean that the energy consumption for the amount of laundry is the most economical.
- Down-filled garments have linings which have a tendency to shrink, depending on the quality of the item. Only use the *Woollens handcare* programme for these textiles.
- Pure linen should only be tumble dried if it is specified as suitable on the care label. The surface of the fabric may otherwise become rough. Only use the *Woollens handcare* programme for these textiles.
- Woollens and wool blends are susceptible to becoming matted or shrinking. Only use the *Woollens handcare* programme for these textiles.
- Loopknit garments (e.g. T-Shirts, underwear) have a tendency to shrink after the first wash. To prevent further shrinkage, avoid overdrying loopknit fabrics. If possible, choose a slightly bigger size when buying garments made from loopknit fabrics.
- If the fabrics are particularly heat-sensitive or susceptible to creasing, reduce the load size. Also select the *DryCare 40 Extra*.

Care symbols

Drying	
	Temperature
	Normal or higher
	Reduced*
	Do not tumble dry

* Recommendation: select *DryCare 40*

Ironing	
	Temperature
	••• hot, •• medium, • lower
	Do not iron

Selecting the correct drying level

- *HygieneDry* for special hygiene requirements.
- *Extra dry* for multi-layered and very thick fabrics.
- *Normal* for textiles that can shrink, or for light cotton or jersey textiles.
- *Hand iron* if you want to iron the laundry after drying, for example

Useful tip: You can alter the drying levels (damper or drier) for the *Cottons* and *Minimum iron* programmes. See "Programmable functions".

2. Loading the tumble dryer

Loading the laundry

Textiles may be damaged.
Before loading, read chapter “1. Notes on correct laundry care” first.



- Open the door.
- Remove any items that have been left inside the drum.
- Unfold the laundry and load loosely into the drum.

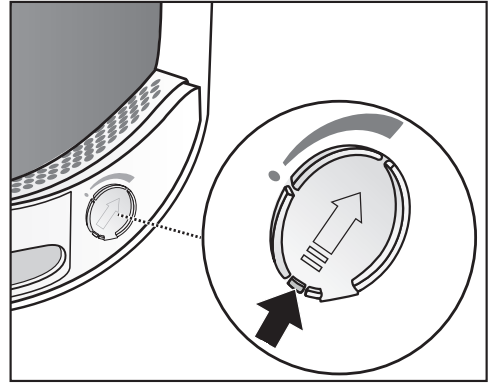
Do not overload the drum. Doing so will cause unnecessary wear and tear to the laundry and affect the drying result. It is also likely to cause more creasing.

Laundry items may be damaged if they get trapped by the door.

Checking the FragranceDos socket

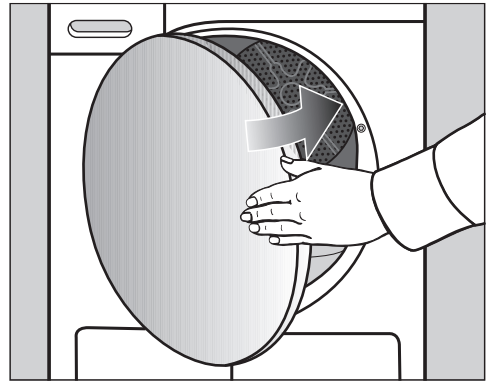
If you are not using a fragrance flacon, check that the 2 FragranceDos sockets are closed.

See the section “Fragrance flacon” for information on how to use fragrance flacons.



- Push the tab down completely (see arrow) so that the socket is closed. Otherwise, fluff will accumulate here.


Closing the door

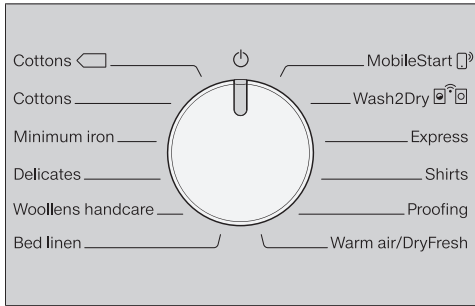


- Shut the door with a gentle swing.

3. Selecting a programme and starting it

Switching on the tumble dryer

The dryer is switched on by selecting a programme, and switched off by turning the programme selector to the  position.



- Turn the programme selector to a programme.

Selecting a programme

There are 3 possible ways to select a programme:

1. Selecting drying programmes using the programme selector

- Turn the programme selector to the required programme.

A drying level may light up and durations will appear in the time display.

2. Selecting drying programmes via the MobileStart programme selector position


- Turn the programme selector to *MobileStart* .


 will light up in the time display.

- Touch the *Start/Add laundry* sensor.

The tumble dryer can now be operated via a mobile device together with the Miele App.

3. Selecting a drying programme via the Wash2Dry programme selector position


- Once the wash programme has ended, place the clean laundry in the tumble dryer and close the door.
- Turn the programme selector to *Wash2Dry* .

If the connection is successful,  will flash in the display. Once the washing machine programme has completely finished, the drying time and the drying level will be displayed in the tumble dryer time display.


- To start the programme, all you need to do is press the *Start/Add laundry* sensor on the tumble dryer.

A programme will not be selected on this tumble dryer after washing delicate textiles (e.g. curtains) in special wash programmes.

Readouts in the time display:

 Dryer starting query

--- No programme selection on the tumble dryer possible or the dryer is waiting for data

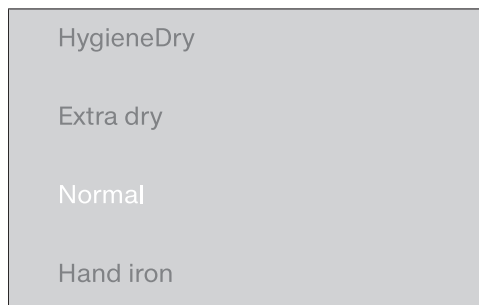
 The tumble dryer is not connected to the network

3. Selecting a programme and starting it

Selecting programme settings

Selecting the drying level

Check the “Programme chart” to see which programmes you can select a drying level for and which drying level meets your requirements.



- Touch the sensor for the required drying level.

The selected drying level lights up brightly.

HygieneDry drying level

Useful tip: The *HygieneDry* drying level can be selected for some programmes. Specific hygiene requirements for robust garments with the ☺ care symbol are met.

HygieneDry dries items at a temperature that is constant over an extended period of time (extended temperature holding time). This kills off micro-organisms (such as germs or dust mites) and reduces allergens in the laundry.

Useful tip: Reduce the load size for the corresponding programme to half the maximum load size specified in these operating instructions.

Temperature holding time

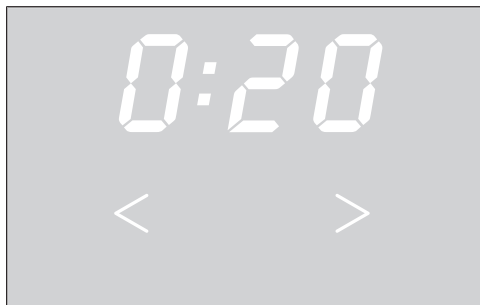
- An estimated programme running time is displayed at the start of a programme for which the *HygieneDry* drying level has been selected.
- The programme completes the normal drying process for laundry care first. The drying time counts down to 0 minutes. Then the temperature holding time starts.
- At the start of the temperature holding time, the remaining programme running time is extended by 85 minutes to produce a hygienic drying result.

A programme for which the *HygieneDry* drying level has been selected should not be interrupted, as this would prevent the micro-organisms from being killed off. Do not cancel the drying programme.

3. Selecting a programme and starting it

Selecting the programme running time for *Warm air/DryFresh*

The programme running time can be selected in 10-minute increments. The programme running time can be between *0:20* minutes and up to *2:00* hours.



- Touch the < or > sensor repeatedly until the required programme running time appears in the time display.

Selecting *DryCare 40*

It can be used for all fabrics that are free of wool and are washable at temperatures of 40°C and above.

This option dries fabrics gently by using a particularly low temperature.

In order to achieve an optimal drying result, please note:

For the respective programme, reduce the maximum load size specified in these operating instructions by half.

Exceptions: you must reduce programmes with a maximum load size of 9 kg to 4 kg.

- Touch the *DryCare 40* sensor. It then lights up brightly.
- *DryCare 40* can be selected with the following programmes:
 - *Cottons*
 - *Minimum iron*
 - *Shirts*
 - *Warm air/DryFresh*
- *DryCare 40* is always activated/ cannot be deselected with *Delicates*.

DryCare 40 is not available for all drying levels.

3. Selecting a programme and starting it

Starting a programme

- Touch the flashing *Start/Add laundry* sensor.

The *Start/Add laundry* sensor lights up.

Programme sequence

- If Delay start has been selected, the Delay start time will start to count down first.
- The programme starts.
- The *PerfectDry* indicator will only flash/light up for programmes with selectable drying levels (see also “Operating the tumble dryer”).
- The tumble dryer measures the residual moisture of the laundry and calculates the required programme running time accordingly.
If you place very few items in the tumble dryer or load it with dry laundry, this will be sensed by the empty drum detection feature. The automatic load recognition function will restrict the running time of the selected programme once it has started. The fabrics will be gently dried or aired. In this case, the *PerfectDry* indicator does not light up at the end of the programme.

Laundry items and fabrics can wear out unnecessarily.
Avoid over-drying laundry and garments.

- Before the programme finishes, the laundry is cooled.

Energy savings

After 10 minutes, the indicators dim. The *Start/Add laundry* sensor flashes slowly.

- Touch the *Start/Add laundry* sensor to switch the indicators on again (this does not have any effect on a running programme).

Adding laundry

You can add laundry after the programme has started.

- Follow the instructions in the sections “Changing the programme sequence” and “Adding or removing laundry”.

4. Removing the laundry at the end of the programme

End of programme/Anti-crease

End of programme: 0:00 lights up in the time display and the *Start/Add laundry* sensor goes out. A signal tone (buzzer) sounds.

The end of the programme is followed by the Anti-crease phase, which will run for up to 2 hours. The *Woollens handcare* programme does not support the Anti-crease function.

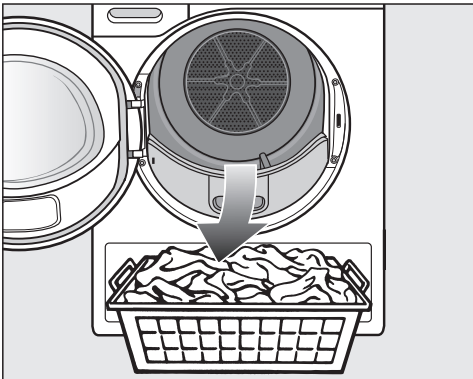
See "Programmable functions - P14 Anti-crease".

The tumble dryer switches off automatically.

Removing the laundry

Only open the door when the drying process has finished. Otherwise, the laundry will not be properly dried and cooled down.


- Pull the door open at the side with the orange marker.




- Remove the laundry.

Always remove all items from the drum.

Items left in the dryer could be damaged by overdrying when the dryer is used the next time.

- Turn the programme selector to the  position.
- Remove the fluff from the 2 fluff filters in the door opening (see "Cleaning and care - Fluff filters").
- Shut the door with a gentle swing.
- Empty the condensed water container.

We recommend that you drain the condensed water externally through the drain hose when drying a full load using the *Cottons* and *Cottons*  programmes. This will avoid having to empty the condensed water container during the programme.

Drum lighting

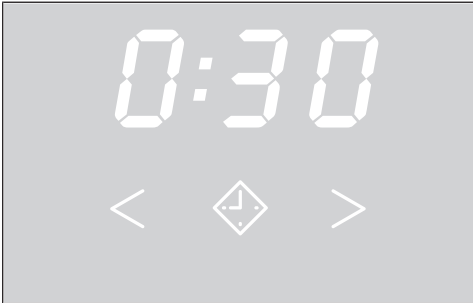
When you open the door of the tumble dryer, the drum is illuminated along with the area immediately in front of the dryer. This prevents you from accidentally leaving behind any items in the drum or in your laundry basket. The drum lighting will go out automatically to save energy.

Selecting Delay start

With Delay start you can delay the start of a programme from 0:30 minutes up to 24h (hours).

Delay start cannot be used with the *Warm air/DryFresh* programme.

- Start by selecting a programme with programme settings.



- Touch the ◆ sensor.
- The ◆ sensor lights up brightly.
- Touch the > or < sensor repeatedly until the required Delay start time appears in the time display.

The time will count upwards and downwards automatically if you touch the > or < sensor continuously.

Starting Delay start

- Touch the *Start/Add laundry* sensor to start the Delay start function.
- Delay start times of more than 10h will count down in hours and then in minutes until the start of the programme.
 - With a longer delayed start time, the drum will rotate occasionally to untangle the laundry. This is not a fault.

Altering Delay start

If you would like to alter the Delay start function after starting a programme, the function must be cancelled first.

- Turn the programme selector to the ⏻ position.

The tumble dryer is switched off and Delay start is cancelled.

- Select a programme.
- Select a Delay start time.

Adding laundry during ongoing timer period

- Follow the instructions in the sections "Changing the programme sequence" and "Adding or removing laundry".

Delay start/SmartStart


SmartStart

The SmartStart function (only available in selected countries) lets you define a time period during which your tumble dryer will start automatically. The machine will start on receipt of a signal, e.g. from your energy supplier, that indicates that the electricity rate is particularly economical.


This function is active when the P32 SmartGrid programmable function is activated

The timeframe can be defined between 30 minutes and 24 hours. During this period, the tumble dryer waits for the signal from the energy supplier. If no signal is sent during the defined period, the tumble dryer starts the drying programme.

Setting the timeframe

If the P32 SmartGrid programmable function is activated, the function of the  sensor changes. The time display no longer shows the Delay start period, and instead shows the time period in which your tumble dryer can be started automatically.

The procedure for setting this is the same as for setting the time for Delay start.

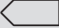
- Touch the  sensor.
- Set the time period you want using the < or > sensor.
- Touch the *Start/Add laundry* sensor.

A flashing readout appears in the time display for the duration: \bar{L}






The period can be ended by opening the door.

Programme chart

All weights marked with * are based on the weight of dry laundry.

Cottons 		Max. load 9.0 kg*
Items	Cotton items such as those described under <i>Cottons Normal</i> with normal residual moisture.	
Notes	Items are dried to a <i>Normal</i> level only.	
Cottons		Max. load 9.0 kg*
HygieneDry		
Items	<ul style="list-style-type: none"> - Cottons and linen fabric which will be in direct contact with the skin, e.g. underwear, baby clothes, bed linen, towelling. - Other hard-wearing fabrics with special hygiene requirements. 	
Tip	<ul style="list-style-type: none"> - Use for special hygiene requirements. - Reduce to half the maximum load amount. 	
Extra dry, Normal		
Items	Single and multi-layered cotton fabrics. For example: towelling, jerseywear, T-shirts, underwear, baby clothes, workwear, covers, aprons, jackets, bathrobes, and flannelette bed linen.	
Tip	<ul style="list-style-type: none"> - Select <i>Extra dry</i> for multi-layered and very thick fabrics. - Do not use <i>Extra dry</i> for jersey fabrics (e.g. T-shirts, underwear, baby clothes), as they have a tendency to shrink. 	
Set programme <i>Cottons Extra dry</i> for testing in accordance with AS/NZS 2442.1 & AS/NZS 2442.2.		
Hand iron		
Items	Cotton or linen fabric requiring further processing. For example: table linen, bed linen, or starched laundry.	
Minimum iron		Max. load 4 kg*
HygieneDry, Normal, Hand iron		
Items	Minimum iron items made of cotton, synthetic, or mixed fibre. For example: workwear, overalls, pullovers, dresses, trousers, table linen and leggings.	
Tip	<ul style="list-style-type: none"> - Use <i>HygieneDry</i> for hard-wearing fabrics with special hygiene requirements. - Reduce to half the maximum load amount. 	

Programme chart

Delicates		Max. load 2.5 kg*
Normal, Hand iron		
Items	Delicate items with the  symbol on the care label made of synthetic fibre, mixed fibre, rayon, and easy care cotton. For example: shirts, blouses, lingerie, and appliquéd garments.	
Notes	The load should be reduced further for a particularly crease-free drying result.	
Woollens handcare		Max. load 2.0 kg*
Items	Woollen garments and fabric containing wool blends, e.g. pullovers, cardigans, stockings.	
Notes	<ul style="list-style-type: none"> - Wool and wool blend items are only fluffed up; they are not dried completely. - Remove garments as soon as the programme has finished. 	
Bed linen		Max. load 4 kg*
HygieneDry, Extra dry, Normal, Hand iron		
Items	Bed linen, pillowcases.	
Tip	<ul style="list-style-type: none"> - Use <i>HygieneDry</i> for hard-wearing fabrics with special hygiene requirements. - Reduce to half the maximum load amount. 	
MobileStart 		
The Miele App is used for selecting programmes and operating the machine.		
Wash2Dry  		
The programme is selected automatically in conjunction with the programme selection on the connected washing machine.		
Express		Max. load 4 kg*
Extra dry, Normal, Hand iron		
Items	Fabrics with the  symbol that are suitable for the <i>Cottons</i> programme.	
Notes	The programme duration is shorter.	
Shirts		Max. load 2 kg*
Normal, Hand iron		
Items	Shirts and blouses.	

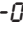

Programme chart

Proofing		Max. load 2.5 kg*
Items	Fabrics suitable for tumble drying, e.g. microfibre fabrics, skiwear, outerwear, fine, close-weave cotton garments (poplin), and tablecloths.	
Notes	<ul style="list-style-type: none"> - This programme only dries to the <i>Normal</i> level. - This programme includes a proofing fixing phase. - Only use proofing agents which are stated by the manufacturer as being "suitable for use on membrane textiles". These agents contain fluorochemical compounds. - Do not dry items which have been treated with proofing agents containing paraffin. Fire hazard! 	
Warm air/DryFresh		Max. load 9.0 kg*
Notes	<ul style="list-style-type: none"> - For drying fabrics (<i>Warm air</i>) - For freshening up fabrics (<i>DryFresh</i>)¹. - Do not select the longest drying time to start with. Check the items as you are drying them to find the optimal time. 	
Items	<ul style="list-style-type: none"> - Finish drying: multi-layered textiles whose layers have different drying characteristics, e.g. jackets, pillows, sleeping bags and other voluminous items. - Drying: individual items, e.g. bath towels, bathing suits and tea towels - Freshening up: clean textiles¹ 	
¹ Tip	<p>You can reduce or eliminate unwanted odours in washed, dry textiles. To do this, use <i>Warm air/DryFresh</i> in conjunction with the DryFresh flacon (optional accessory²). Select a time of at least 60 minutes and reduce the load size in order to freshen up the textiles effectively.</p> <p>² Insert fragrance flacon and set the intensity: see "Fragrance flacon"</p>	


Changing the programme sequence

Changing a programme after it has started

It is no longer possible to change the selected programme. This prevents the appliance being operated unintentionally, e.g. by children.

If you adjust the programme selector, the  symbol will light up in the time display. The  symbol goes out when you select the original programme.

Cancelling the current programme

- Turn the programme selector to the  position.

The programme is cancelled.


You can now select a new programme.

Adding or removing laundry

You have forgotten an item of laundry, but the programme has already started.

- Touch the *Start/Add laundry* sensor.

The word *Add* will appear in the time display. The *Start/Add laundry* sensor flashes slowly.

 Risk of burning when touching hot laundry in the drum.
You could burn yourself.

- Open the door.
- Add or remove laundry.

You can also change the programme selection.

- Close the door.
- Touch the *Start/Add laundry* sensor.

The programme will continue.

Exceptions to adding laundry

In some cases, e.g. during the cooling phase or in the *Proofing* programme, you cannot add laundry.

In these cases, the word *Add* is not displayed.


In exceptional cases, the door can be opened while the programme is running.


Condensed water container


Emptying the condensed water container

The condensed water is collected in the condensed water container.

Empty the condensed water container after every drying programme.

The  indicator will light up when the maximum level in the condensed water container is reached.

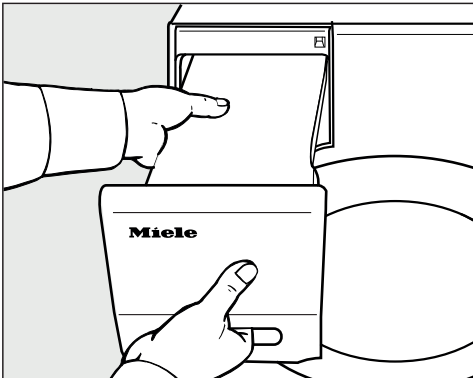
To turn the  indicator light off: Open and close the door while the dryer is switched on.

 Damage to the door and the fascia panel when removing the condensed water container*.

The door and the fascia panel can get damaged.

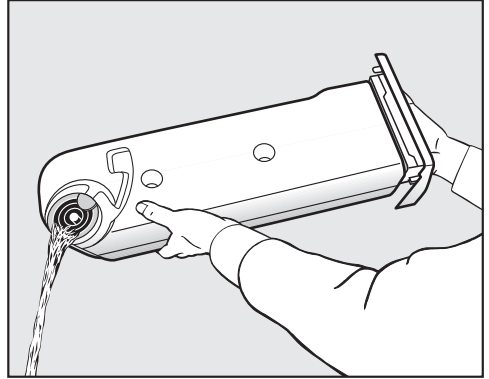
Always close the door completely.

*This does not apply to right-hand hinged models.



- Pull out the condensed water container.

- To prevent water running out, keep it in a horizontal position when carrying it. Hold the condensed water container by the front panel and at the back.



- Empty the container.
- Replace the container in the dryer.

Condensed water can cause health problems in people and animals.
Do not drink condensed water.

Condensed water can be put to household use (e.g. used in a steam iron or humidifier). To ensure that any residual particles of fluff in the condensed water are removed before use, pass it through a fine sieve or paper filter first.

Fragrance flacon

FragranceDos

Fragrance flacons (optional accessories) can be used to give your laundry a pleasant scent.

This dryer has 2 places for inserting fragrance flacons. This gives you a choice of how to use them.

- You can use both positions if you wish to change from one scent to another. You can close the fragrance flacon that you are not using.
- Use both positions if you want a more intense scent of the same fragrance, or if you wish to conveniently switch between a scent for normal laundry and DryFresh to freshen up your laundry.
- Use one socket only if you only want to use the one fragrance.

⚠ Risk of fire and harm to health if fragrance flacons are used incorrectly.

Leaked fragrance can be harmful to your health if it comes into contact with your body. Leaked fragrance can cause a fire.

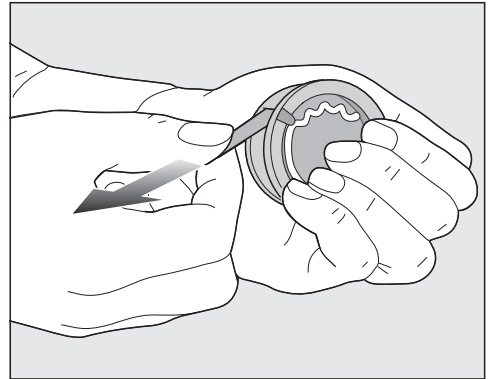
Before using a fragrance flacon, please read "Warning and Safety instructions - Using a fragrance flacon (optional accessory)".

Removing the protective seal from the fragrance flacon

Only hold the fragrance flacon as illustrated. Do not hold it at an angle or tip it as the fragrance will leak out.

- Take the fragrance flacon out of its packaging.

Do not attempt to open the fragrance flacon.

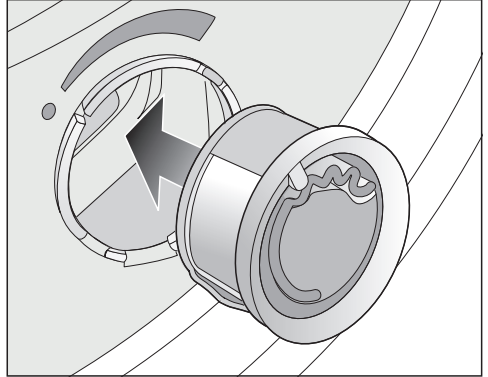


- Hold the fragrance flacon securely so that you do not open it by mistake.
- Pull off the protective seal.

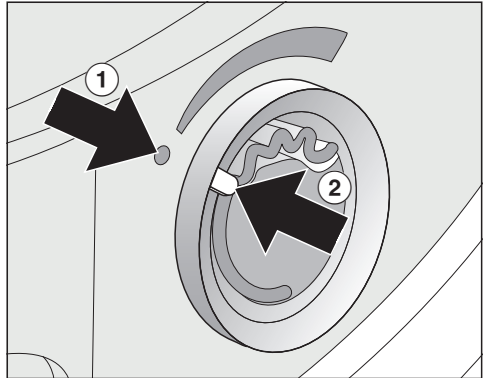
Inserting the fragrance flacon

- Open the door of the tumble dryer.

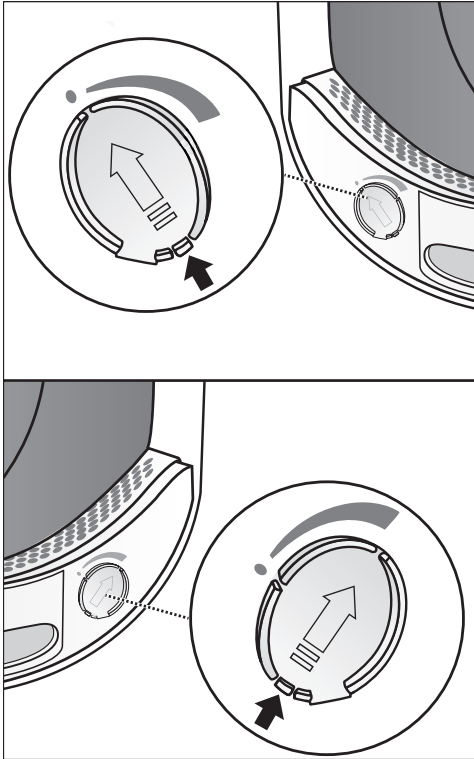
The fragrance flacon is inserted in the upper fluff filter. It can be inserted on the left or the right-hand side beside the grip.



- Insert the fragrance flacon in the opening as far as it will go.



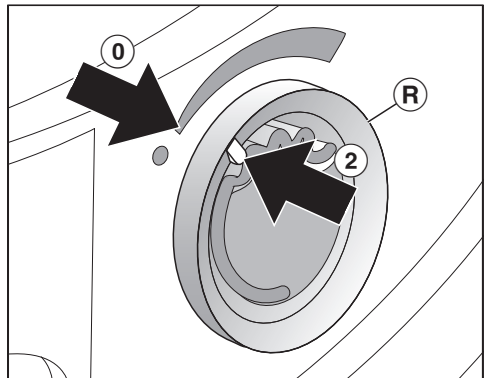
Markers ① and ② must line up with each other.



- Open the cover using the tab until the tab is right at the top as shown.

To prevent the accumulation of fluff, the cover of the unused socket must remain closed.

Push the tab of the cover to the bottom (see dark arrow), until you hear it click into position.



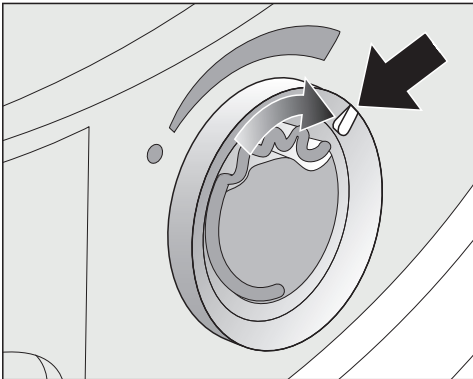
Fragrance flacon

- Turn the outer ring **Ⓡ** clockwise a little.

The fragrance flacon can slip out. Turn the outer ring so that markers **②** and **⓪** line up.

Opening the fragrance flacon

Before drying, you can select the intensity of the fragrance.

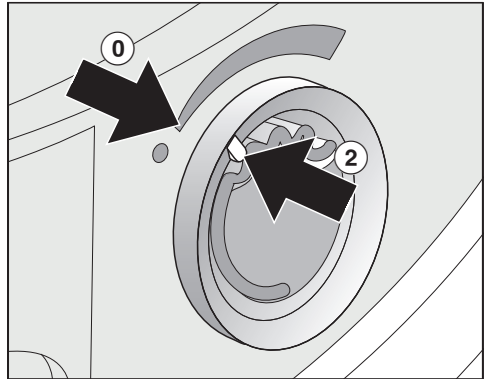


- Turn the outer ring clockwise: the further you open the fragrance flacon, the more intense the fragrance.

The fragrance is only released into the laundry effectively with damp laundry and longer drying times with sufficient heat transfer. The fragrance will also be noticeable in the room air during the drying process.

Closing the fragrance flacon

After drying, the fragrance flacon should be closed to prevent the fragrance from escaping needlessly.

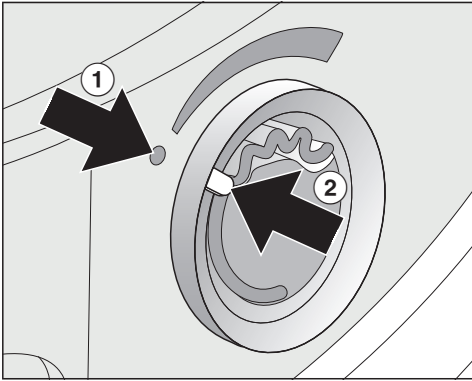


- Turn the outer ring anti-clockwise until marker **②** is in position **⓪**.

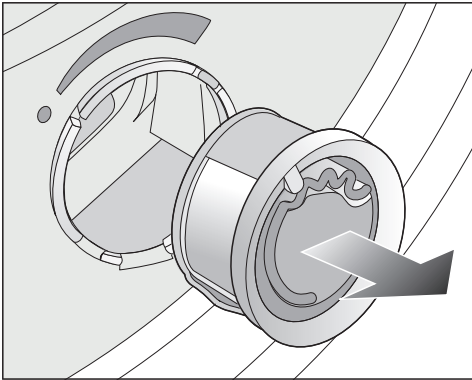
If you wish to dry laundry without adding fragrance: remove the fragrance flacon and store it in its original packaging.

When the intensity of the fragrance is no longer sufficient, replace the fragrance flacon with a new one.

Removing/replacing the fragrance flacon



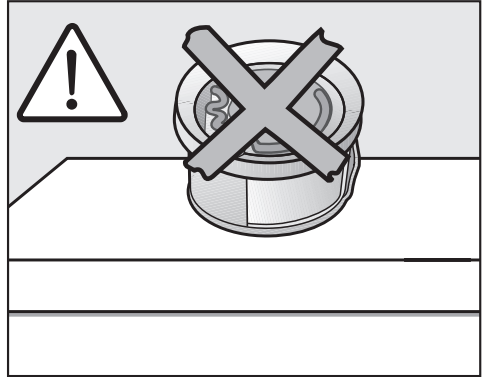
- Turn the outer ring anti-clockwise until markers ① and ② line up.



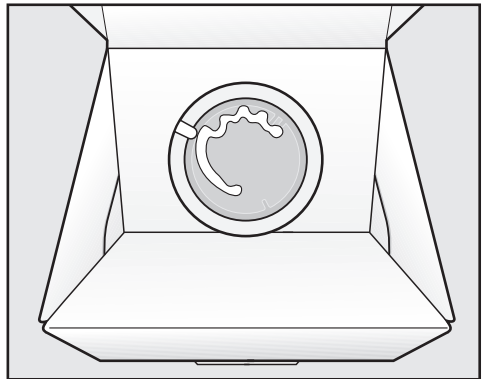
- Replace the fragrance flacon with a new one.

When not in use, you can store the fragrance flacon in its original packaging.

Fragrance flacons are available to order from Miele or online at www.miele-shop.com.



Fragrance can leak.
Do not lay the fragrance flacon down.




- If you are keeping the fragrance flacon in its original packaging, do not store the packaging upright on its edge or upside down. Otherwise, the fragrance will leak out.
- Always store in a cool, dry place away from direct sunlight.
- When purchasing new fragrance flacons, only remove the protective seal just before use.

Cleaning and care

Fluff filters

This tumble dryer has 2 fluff filters in the loading area of the door. Both fluff filters trap fluff produced during the drying process.

Clean the fluff filters after each drying programme. This prevents an extension of the programme duration. Also clean the fluff filters when the  indicator light comes on.

- To make the indicator light go out, open and close the door while the tumble dryer is switched on.

Removing the fragrance flacon

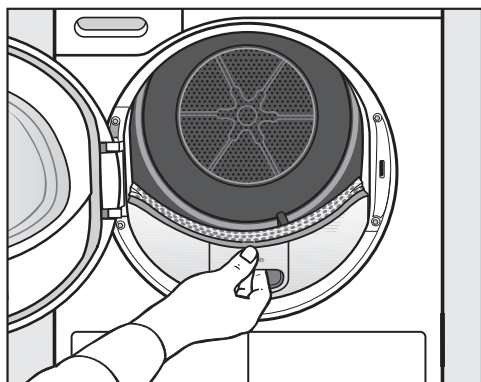
The intensity of the fragrance will be diminished if the fluff filters and the plinth filter are not cleaned.

- Remove the fragrance flacon. See “Fragrance flacon - Removing/replacing the fragrance flacon”.

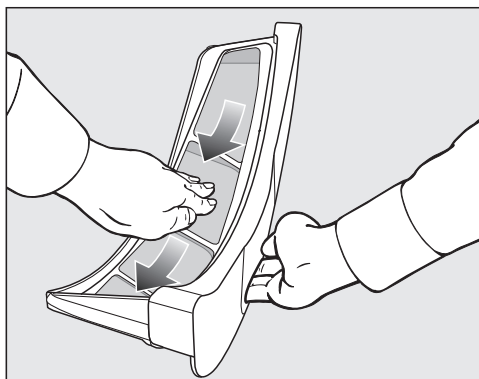
Removing visible fluff

Useful tip: You can use a vacuum cleaner so that you can remove the fluff without touching it.

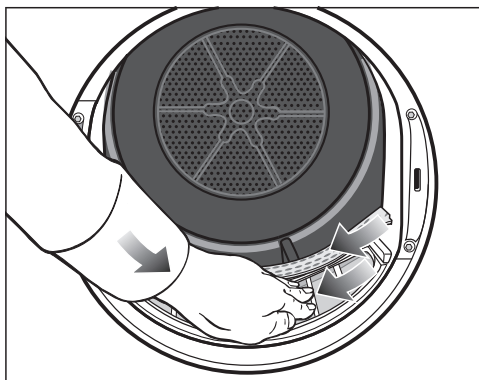
- Open the door.



- Pull the upper fluff filter forwards to remove it.



- Remove the fluff (see arrows).

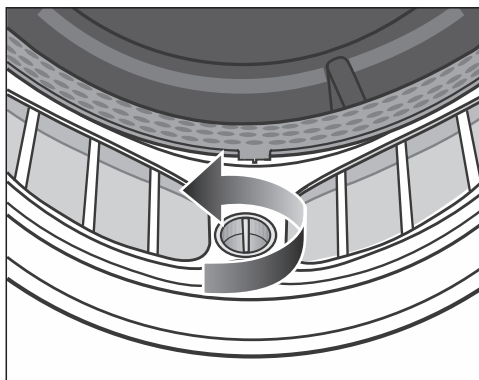


- Remove the fluff from the filter surface of all the fluff filters and the perforated laundry deflector (see arrows).
- Push the upper fluff filter back until it clicks into position.
- Close the door.

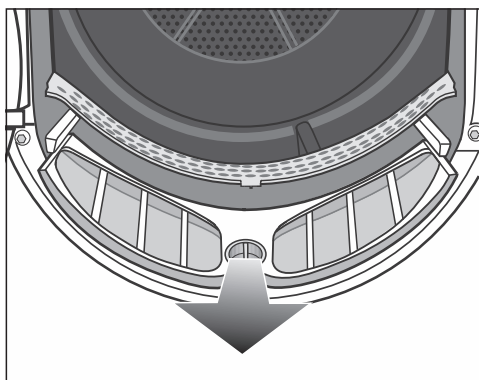
Cleaning the fluff filters and air flow openings thoroughly

If the drying duration has become longer or the surface of the filters is visibly compacted with fluff, you should clean them thoroughly.

- Remove the fragrance flacon. See “Fragrance flacon - Removing/replacing the fragrance flacon”.
- Pull the upper fluff filter forwards to remove it.

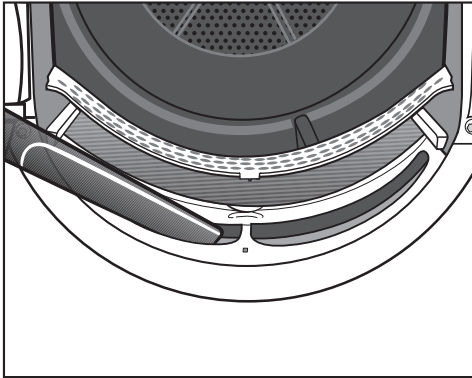


- Turn the yellow dial on the lower fluff filter in the direction of the arrow (until you hear it click).



- Hold the dial and pull the fluff filter forwards to remove it.

Cleaning and care



- Use a vacuum cleaner with a long crevice nozzle attached to remove any visible fluff from the upper air flow openings.

Finally, clean the fluff filters with water.


Cleaning the fluff filters with water

- Wipe the smooth plastic surfaces of the fluff filters with a damp cloth to clean them.
- Rinse the filters with warm running water.
- Shake the fluff filters thoroughly and then dry them carefully.

Ensure the filters are dry before replacing them. Wet filters could cause operational faults.

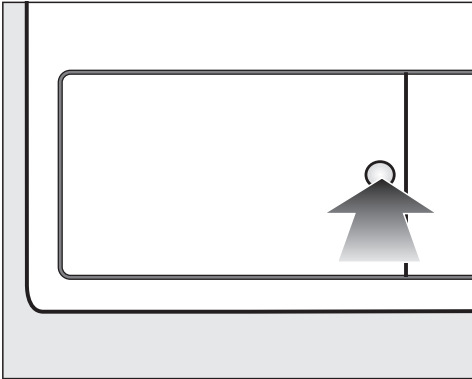
- Push the lower fluff filter in completely and lock it with the yellow dial.
- Push the upper fluff filter in completely.
- Close the door.

Cleaning the plinth filter

Clean the plinth filter whenever the indicator light comes on or when the programme duration is longer than usual. 

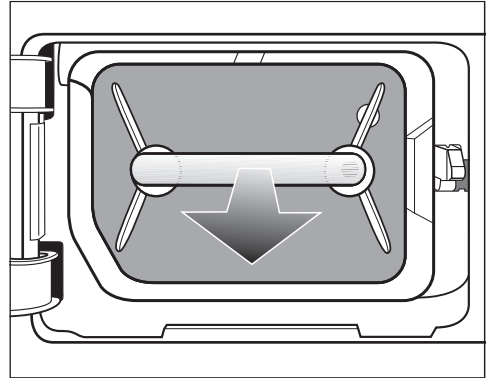
- To make the indicator light go out, open and close the door while the tumble dryer is switched on.

Removing the plinth filter



- Press the round, indented area on the heat exchanger access panel to open it.

The panel will spring open.

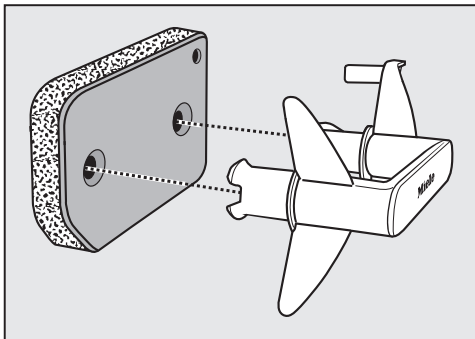


- Pull the plinth filter out by the handle.

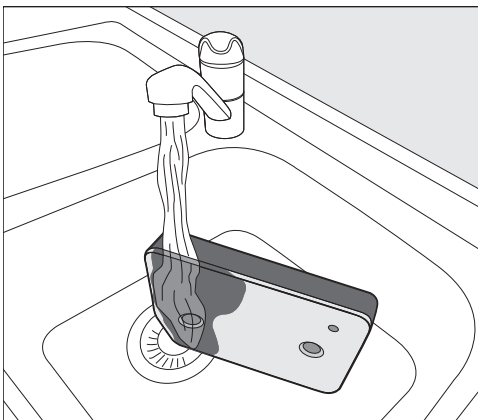
When the plinth filter is pulled out, the right guide pin will slide out. The guide pin prevents the flap from being closed without the plinth filter in place.

Cleaning and care

Cleaning the plinth filter



- Pull the handle out of the plinth filter.
- Clean the plinth filter gently and thoroughly under running water.



Useful tip: In order to loosen any residues from the surface of the plinth filter, hold it upright and run the front of it under water.

- Squeeze the plinth filter carefully several times as you rinse it.
- Rinse and wash the entire plinth filter until all visible residues have been removed.
- Gently squeeze out the plinth filter until no more water comes out.

Useful tip: To absorb water, place the damp plinth filter between two towels. On a flat surface, repeatedly press down gently on the plinth filter with a flat hand. This will help the plinth filter to dry faster.

The plinth filter must not be fitted dripping wet.

Otherwise, this could cause a fault. Carefully squeeze the water out of the plinth filter.

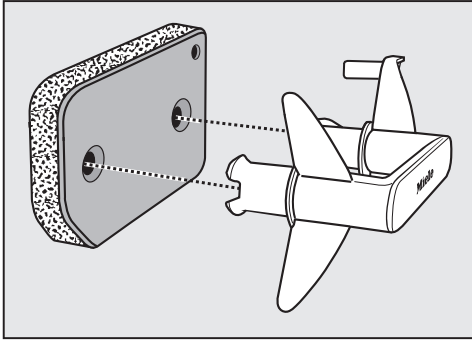
If a drying programme is interrupted with a fault message after the clean plinth filter has been fitted, the plinth filter was too wet when it was fitted. Gently squeeze the water out of the plinth filter again. Leave the plinth filter to air-dry.

If a fault occurs again despite this, it may be caused by stubborn residue from washing substances. Reactivate the plinth filter in the washing machine. See "Problem solving guide – Reactivating the plinth filter".

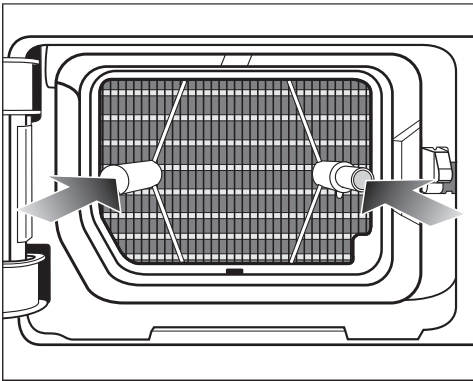
⚠ Blockages caused by a damaged or worn filter.

The heat exchanger becomes blocked and damage may occur.

Check the plinth filter in accordance with the descriptions in "Problem solving guide - Replacing the plinth filter". If necessary, replace the plinth filter with a new one.



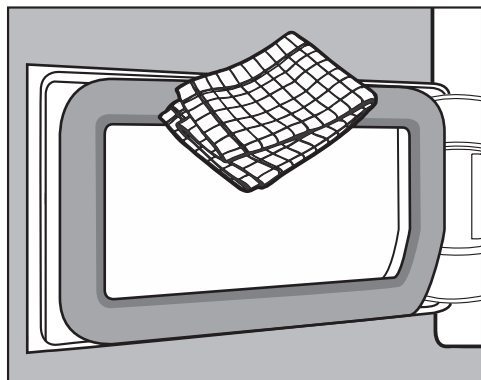
- Use a damp cloth to remove any fluff from the handle.
- Fit the plinth filter back on the handle the right way round.



- Push the plinth filter in completely. Insert the right guide pin at the same time.

Cleaning and care

Cleaning the plinth filter flap



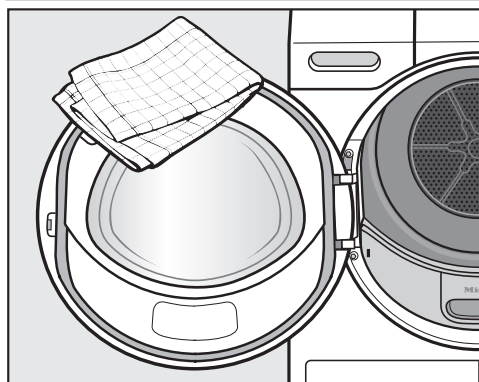
- Use a damp cloth to remove any fluff. Make sure that you do not damage the rubber seal when doing this.
- Close the heat exchanger access panel.

⚠ Damage or ineffective drying when drying without a plinth filter or with the heat exchanger flap open. An excessive accumulation of fluff can damage the dryer in the long term. If the system is not leak-proof, this can lead to ineffective drying. Only operate the dryer with the plinth filter fitted correctly and the heat exchanger access panel closed.

Cleaning the dryer

Disconnect the dryer from the electricity supply.

⚠ Damage due to the use of unsuitable care products. Unsuitable care products could damage plastic surfaces and other parts. Do not use solvents, abrasive cleaners, glass cleaners or all-purpose cleaners.






- Clean the dryer and the seal on the inside of the door only with a slightly damp, soft cloth and mild detergent or soapy water.
- Dry all parts with a soft cloth.

Many malfunctions and minor faults that can occur in daily operation can be corrected without contacting Miele. This will save you time and money because you will not need a service call.

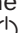
You can find information on how to remedy faults yourself at www.miele.com.au/service or www.miele.co.nz/service and on the Miele website.

Please note, however, that a call-out charge will be applied to unnecessary service visits where the problem could have been rectified as described in these operating instructions.




Indicator lights or information in the time display triggered when a programme is cancelled

Problem	Possible cause and remedy
The  indicator light comes on after a programme has been cancelled and a signal sounds.	<p>The condensed water container is full or there is a kink in the drain hose.</p> <ul style="list-style-type: none"> ■ To switch off the  indicator light, open and close the door (with the tumble dryer switched on). ■ Empty the condensed water container. ■ Check the drain hose. ■ See "Cleaning and care".
<i>F</i> and another number combination flash after a programme has been cancelled, a signal sounds.	<p>There is no obvious cause.</p> <ul style="list-style-type: none"> ■ Switch the dryer off and then on again. ■ Start a programme. <p>If the programme terminates again with the same error message, then there is a fault. Contact Miele.</p>
 lights up and the programme has been cancelled, a signal sounds.	<p>The laundry is unevenly distributed or has rolled up.</p> <ul style="list-style-type: none"> ■ Untangle the laundry and remove a few items, if necessary. ■ Switch the dryer off and then on again. ■ Start a programme.

Problem solving guide

Problem	Possible cause and remedy
<p>F and 000 flash, a signal sounds. The indicator light comes on.</p>	<p>The system is clogged by fluff or detergent residues.</p> <ul style="list-style-type: none"> ■ To deactivate the message, turn the programme selector to the  position. ■ Clean the fluff filters and the plinth filter. <ul style="list-style-type: none"> – Please see “Cleaning and care” for notes on cleaning. – If the fluff filters and the plinth filter are damaged or out of shape, or if they cannot be cleaned, they must be replaced. – If the fault message is displayed again after cleaning, this could be due to one of the causes listed below.
	<p>The plinth filter was too wet when it was fitted.</p> <ul style="list-style-type: none"> ■ Carefully squeeze the water out of the plinth filter. ■ Leave the plinth filter to air-dry.
	<p>There is still underlying residue in the plinth filter that could not be removed.</p> <ul style="list-style-type: none"> ■ Check the plinth filter. Follow the instructions in “Problem solving guide – Replacing the plinth filter”. ■ If the plinth filter is not damaged or out of shape, you can reactivate it in a washing machine. See “Problem solving guide – Regenerating the plinth filter”.
	<p>The heat exchanger is clogged.</p> <ul style="list-style-type: none"> ■ Check the heat exchanger. See “Problem solving guide – Checking the heat exchanger”.

Indicator lights or information in the time display

Problem	Possible cause and remedy
The  indicator light lights up at the end of the programme.	<p>The tumble dryer is not working correctly or economically. Possible causes could be clogging caused by fluff or detergent residues.</p> <ul style="list-style-type: none"> ■ To switch off the  indicator light, open and close the door (with the tumble dryer switched on). ■ Please see "Cleaning and care" for notes on cleaning. ■ Clean the fluff filters. ■ Also check the plinth filter and clean it if necessary. <p>You can influence when the  indicator light comes on.</p> <ul style="list-style-type: none"> ■ Follow the instructions in "Programmable functions - P20 Airways indicator".
-0- lights up.	<p>The programme selector has been moved.</p> <ul style="list-style-type: none"> ■ Select the original programme. The time remaining will appear in the display again.
Bars flash in the display at the end of a programme: []...[]...[]...	<p>The programme has finished but the laundry has not yet cooled down.</p> <ul style="list-style-type: none"> ■ Either remove the laundry and spread it out to cool down or leave it in the tumble dryer to cool down during the cooling phase.
Lines flash and light up after switching on: _ _ _ . Programme selection is not possible.	<p>Access via a code has been activated.</p> <ul style="list-style-type: none"> ■ See "Programmable functions - P07 PIN code".
UP lights up and programme start is not possible.	<p>An update is available for the tumble dryer. See "Programmable functions – P24 RemoteUpdate" for more information.</p>
[Er] lights up	<p>This is not a fault. The tumble dryer is connected to the network.</p>
OFF lights up	<p>This is not a fault. The remote control function is switched off. See "Programmable functions".</p>
[on] lights up	<p>This is not a fault. The tumble dryer is connected to the network.</p>
no[lights up	<p>This is not a fault. The tumble dryer is not connected to the network. See "Programmable functions".</p>

Problem solving guide

Unsatisfactory drying results

Problem	Possible cause and remedy
The DryCare 40 Extra is not drying the laundry sufficiently.	<p>The room in which the tumble dryer is located is too warm. This has caused the DryCare process to finish prematurely.</p> <ul style="list-style-type: none">■ Ventilate the room thoroughly.■ To fully dry the laundry, select <i>Warm air/DryFresh</i> with the <i>DryCare 40 Extra</i>.
The laundry is not sufficiently dry.	<p>The load consisted of different types of fabric.</p> <ul style="list-style-type: none">■ Finish drying using the <i>Warm air/DryFresh</i> programme.■ Select a more suitable programme next time. <p>Useful tip: You can alter the drying levels for some programmes. See “Programmable functions”, sections “<i>P01</i> Cottons drying levels”, “<i>P02</i> Minimum iron drying levels”.</p>
Laundry or feather filled pillows smell after drying.	<p>The laundry was washed with insufficient detergent. Feathers are a natural product and this is quite normal.</p> <ul style="list-style-type: none">■ Laundry: use sufficient detergent next time.■ Pillows: take out of the tumble dryer and aerate.■ Use a fragrance flacon (available as an optional accessory).
Items made of synthetic fibres are charged with static electricity after drying.	<p>Synthetic fibres tend to attract static charge.</p> <ul style="list-style-type: none">■ Static charge can be reduced by adding a fabric softener to the final rinse in the washing programme.
There is a build-up of fluff.	<p>Fluff is principally the result of friction when garments are being worn and to some extent when they are being washed. Machine drying hardly causes any fluff to form.</p> <p>Fluff is collected by the fluff filters and the plinth filter and can be removed easily.</p> <ul style="list-style-type: none">■ See “Cleaning and care”.

The drying process takes a long time.

Problem	Possible cause and remedy
<p>The drying process goes on for too long or even switches off.*</p>	<p>The room in which the tumble dryer is located is too warm.</p> <ul style="list-style-type: none"> ■ Ventilate the room thoroughly.
	<p>Detergent residues, hair and fine fluff can clog the filters.</p> <ul style="list-style-type: none"> ■ Clean the fluff filters and the plinth filter. ■ Remove visible fluff from the heat exchanger.
	<p>The laundry is unevenly distributed or has rolled up. The tumble dryer has been overloaded.</p> <ul style="list-style-type: none"> ■ Untangle the laundry and remove a few items, if necessary. ■ Start a programme.
	<p>The cool air intake (bottom right grille) is blocked.</p> <ul style="list-style-type: none"> ■ Move any objects, such as a laundry basket, away from the dryer.
	<p>The laundry is too damp.</p> <ul style="list-style-type: none"> ■ Spin the laundry using a higher spin speed in the washing machine.
	<p>Metallic components, e.g. zippers, have prevented the dryer from registering the correct moisture level.</p> <ul style="list-style-type: none"> ■ Open any zips next time. ■ If the problem recurs, dry these items using the <i>Warm air/DryFresh</i> programme.

* Switch the tumble dryer off and on again before starting a new programme.

Problem solving guide

Other problems

Problem	Possible cause and remedy
There are humming noises.	The compressor is operating. These noises are quite normal and do not indicate a fault.
A programme cannot be started.	There is no obvious cause. ■ Connect the tumble dryer to the mains electricity supply ■ Turn on the tumble dryer. ■ Close the door. ■ Check whether the mains fuse has tripped. <hr/> Has there been a power cut? When power is restored, any previously running programme will restart automatically.
After the <i>DryCare 40 Extra</i> is selected, the drying level “jumps” back to a different level.	The drying level you selected previously cannot be combined with the Extra. The closest possible drying level is selected automatically.
Only the <i>Start/Add laundry</i> sensor flashes slowly when the programme is running.	Once the programme has been running for 10 minutes, the indicators go out. The <i>Start/Add laundry</i> sensor flashes slowly. This is not a fault, but a normal function to help save energy. ■ Touch a sensor to switch on the indicators. See “Programmable functions”, section “ <i>P</i> ll Control panel standby status”.
The tumble dryer is switched off.	The tumble dryer switches off automatically after 15 minutes if no further selections are made. This is not a fault, but a normal function. ■ Select a programme.

Problem solving guide

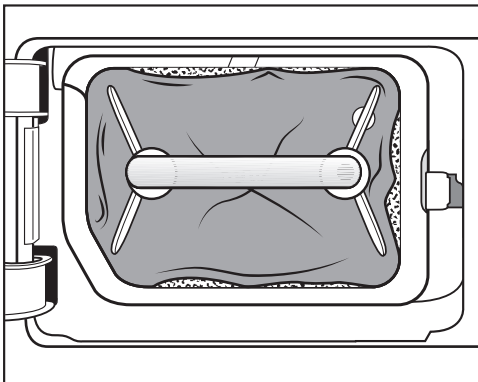
Problem	Possible cause and remedy
The interior drum lighting does not come on.	<p>To save energy, the drum lighting goes out automatically after a set time and after the programme starts.</p> <ul style="list-style-type: none">■ Switch the dryer off and then on again.■ To switch the drum lighting on, open the door of the tumble dryer.
	<p>The drum lighting is faulty. The drum lighting is designed to last a long time and should not normally need to be replaced.</p> <ul style="list-style-type: none">■ If you have tried the remedies above but the drum lighting still does not come on, please contact Miele.

Problem solving guide

Replacing the plinth filter

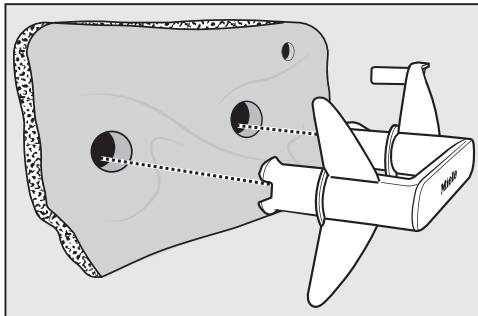
The heat exchanger can clog up. Replace the plinth filter immediately (replacement filters are available as an optional accessory) if you see the following signs of wear before or after cleaning.

Poor fit



The edges of the plinth filter do not sit properly and the filter is deformed. Fluff will blow into the heat exchanger unfiltered through edges that do not sit properly. This will eventually cause obstruction in the heat exchanger.

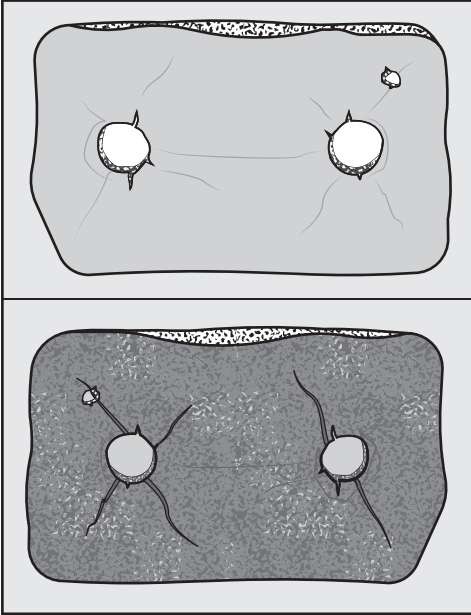
Deformations



Deformations indicate that the filter has become worn.

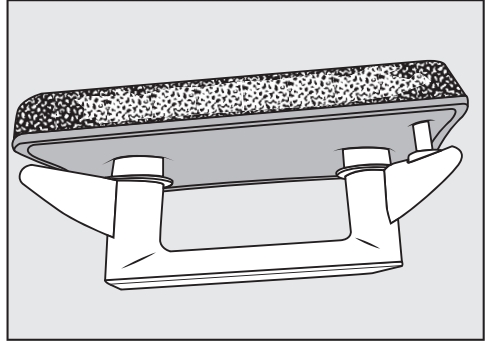
Problem solving guide

Cracks, tears, indentations



Fluff will blow into the heat exchanger unfiltered through cracks and tears and will cause obstruction. This will eventually cause obstruction in the heat exchanger.

White residues or residues of other colours



Residues arise from laundry fibres and residual detergent components. They can be found on the front and side edges of the plinth filter. In extreme cases, they can form stubborn crusts. Residues are a sign that the filter no longer has a snug fit at the sides, even if it appears to be perfect.

Fluff is getting in unfiltered at the edges.

Regenerate the plinth filter (see "Problem solving guide - Regenerating the plinth filter"). If the plinth filter shows these residues again soon, the plinth filter must be replaced.

Problem solving guide

Regenerating the plinth filter

You can regenerate one or more dirty plinth filters in the washing machine. The plinth filter will be ready for use again.

Before regenerating it, check whether the plinth filter is still in good condition. Check the plinth filter in accordance with the descriptions in "Problem solving guide - Replacing the plinth filter". If the plinth filter is worn, replace it.

- Wash one or more plinth filters separately without garments. Do not add laundry detergent.
- Select a short wash programme with a maximum temperature of 40°C and a maximum spin speed of 600 rpm.

After washing and spinning, you can refit the plinth filter.

Checking the heat exchanger

⚠ Risk of injury from sharp cooling fins.

You could cut yourself.

Do not touch the cooling fins.

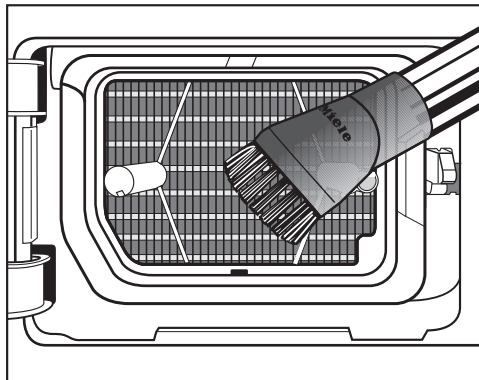
- Look to see if fluff has accumulated.

If fluff is present, it must be removed.

⚠ Damage due to incorrect cleaning of the heat exchanger.

The tumble dryer will not dry if the cooling fins are damaged or bent.

Clean using a vacuum cleaner with a dusting brush attached. Only pass the vacuum cleaner dusting brush over the fins lightly, without applying any pressure.



- Carefully vacuum up any fluff and residues.

You can find information on how to remedy faults yourself and about Miele spare parts at www.miele.com.au/service or www.miele.co.nz/service.

Contact in case of fault

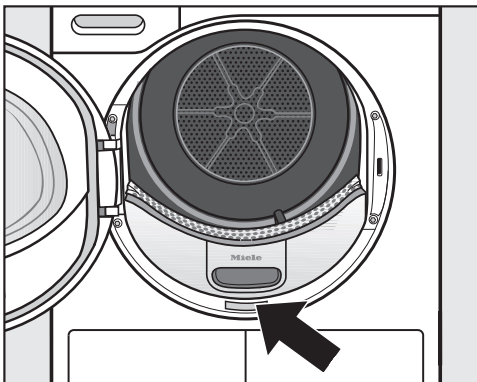
In the event of any faults which you cannot remedy yourself, please contact Miele.

You can book a Miele customer service call-out online at www.miele.com.au/service or www.miele.co.nz/service.

Contact information for Miele can be found at the end of this booklet.

Please quote the model and serial number of your appliance when contacting Miele. This information can be found on the data plate.

The data plate is visible when the door is open.



Optional accessories

Optional accessories for this tumble dryer are available from Miele (see contact details at the back of these instructions).

You also can order these and other useful products from the Miele online shop.

Drying basket

The drying basket is suspended in the drum and does not rotate with the drum. This enables items which must not be subjected to mechanical action to be dried or aired.

Fragrance flacon

Fragrance flacons can be used in your tumble dryer to add a pleasant fragrance to your laundry.

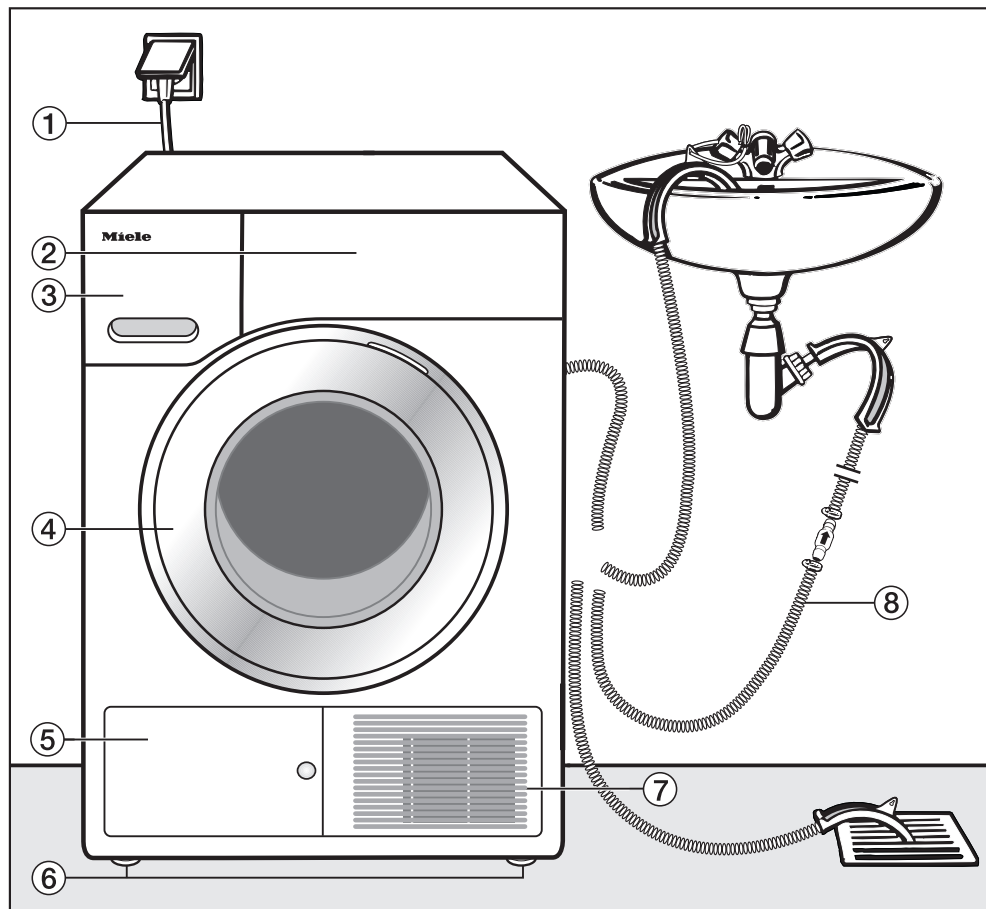
Warranty

The manufacturer's warranty for this appliance is 2 years.

For further information, please refer to your warranty booklet.

Installation

Front view



① Mains connection cable

② Control panel

③ Condensed water container

④ Door

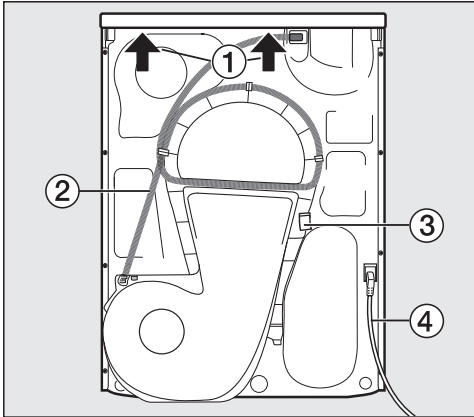
⑤ Plinth filter access panel

⑥ 4 height-adjustable feet

⑦ Cooling air grille

⑧ Drain hose for condensed water

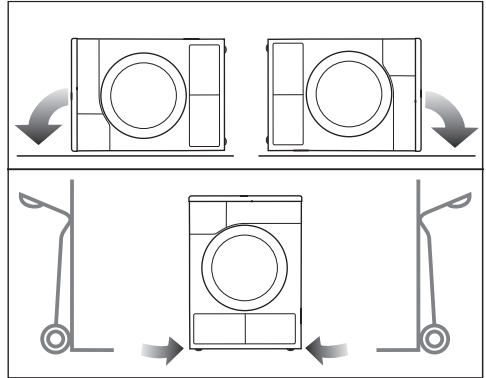
Rear view



- ① Protruding lid for holding when moving the machine
- ② Drain hose for condensed water
- ③ Hook for winding the mains connection cable around during transport
- ④ Mains connection cable

Transporting the tumble dryer

⚠ Danger of injury to people and damage to property caused by moving the appliance incorrectly. If the tumble dryer tips over, there is a danger of injury to people and damage to property. Ensure that the tumble dryer is stable during transportation.



- If the tumble dryer is being transported horizontally, it must only be tipped onto its left or right side.
- If the tumble dryer is being transported upright and you are using a handcart or trolley, you must only transport it with its left or right side resting on the handcart or trolley.

Transporting the tumble dryer to its installation site

⚠ Make sure the fixings at the back of the lid are secure.

Otherwise there is a danger of the lid being pulled off when carrying the appliance.

Before carrying the appliance, check that the lid is secure where it protrudes at the back of the appliance.

- Carry the tumble dryer by the front feet and by the lid where it protrudes at the back of the appliance.

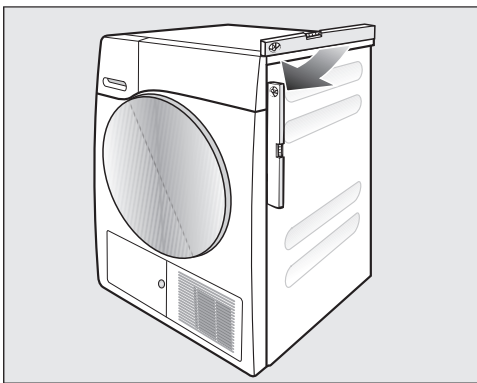
Installation

Installation

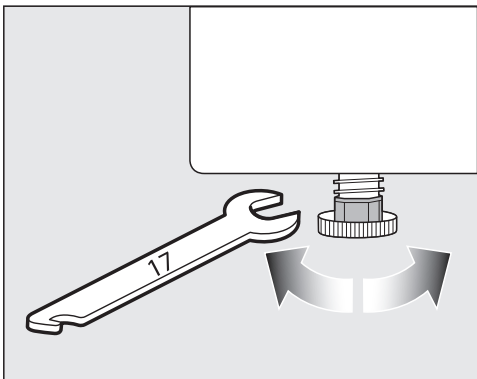
Levelling the dryer

The appliance must not be installed behind a lockable door, a sliding door or a door with a hinge on the opposite side to that of the tumble dryer, in such a way that a full opening of the tumble dryer door is restricted.

Make sure the dryer door can be opened without hindrance after installation.



To ensure proper operation, the tumble dryer must stand perfectly level. The screw feet on the tumble dryer can be adjusted to compensate for unevenness in the floor.



- Turn the screw feet by hand or with a flat open spanner.



⚠ Risk of fire and explosion due to damage to the tumble dryer.

The refrigerant is flammable and explosive.

Do not make any alterations to the tumble dryer. Take measures to protect the tumble dryer against damage.

If the tumble dryer is damaged, proceed as follows:

- Avoid naked flames or anything which creates a spark.
- Disconnect the dryer from the electricity supply.
- Air the room where the tumble dryer is located.
- Contact Miele Customer Service.

Downtime after installation

⚠ Damage to the tumble dryer by switching it on too soon.

This can damage the heat pump. After setting up the tumble dryer, wait for at least one hour before switching it on.

Ventilation

The cool air intake at the front of the tumble dryer must not be blocked or covered. This would hinder a sufficient intake of cool air for the heat exchanger.

Do not block the gap between the bottom of the tumble dryer and the floor with plinth facings, deep pile carpet etc. This would hinder a sufficient flow of air to the tumble dryer.

Adequate ventilation has to be provided to avoid the backflow of gases into the room from appliances burning other fuels, including open fires.

Air which is taken in to cool the heat exchanger is then blown back out of the dryer and warms up the air in the room. Ensure sufficient ventilation of the room, e.g. by opening a window. The drying time will otherwise take longer (higher energy requirement).

The heat pump that is essential to the operation of this tumble dryer generates a lot of heat inside its casing. It must be possible to dissipate this heat well.

Otherwise loads could take longer to dry or the tumble dryer might sustain damage in the long term.

Permanent room ventilation during every drying programme and the ventilation gap between the bottom of the tumble dryer and the floor are mandatory requirements at all times.

Before moving the tumble dryer again (e.g. when moving house)

A small quantity of condensed water that remains in the area around the pump after the drying process can run out if the tumble dryer is tilted. Recommendation: start a programme for approx. 1 minute before transporting the dryer. Any remaining condensed water will then be fed into the condensed water container (which you will need to empty again) or out through the drain hose.

Installation

Additional installation requirements

Suitable for pushing under a worktop

This tumble dryer is suitable for pushing under a worktop.

Appliance defect due to a build-up of heat.

Make sure there is adequate room for warm air from the dryer to be directed away.

- The appliance lid cannot be removed.
- The electrical socket must be located in an accessible position near the appliance.
- Drying durations may increase slightly.

Optional accessories

– Washer-dryer stack

The tumble dryer can also be combined with a Miele washing machine in a washer-dryer stack. The appropriate Miele washer-dryer stacking kit is required.

– Plinth

The tumble dryer can be installed on a plinth with drawer (please note the plinth may not be available in all countries).

The plinth must be purchased as a pair and secured to the second plinth supporting another tumble dryer or washing machine.

Externally draining condensed water

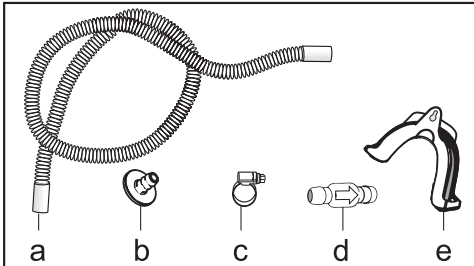
Notes

When drying is in progress, condensed water is pumped into the condensed water container through the drain hose which is located at the back of the dryer.

The condensed water can also be drained away via the drain hose. The condensed water container will then not need to be emptied.


Hose length: 1.49 m
Maximum delivery head: 1.00 m
Maximum drain hose length: 4.00 m

Drainage accessories



- Supplied: adapter (b), hose clip (c), hose holder (e);
- Available to purchase: “Non-return valve” kit for connection to an external water connection. Non-return valve (d), hose extension (a) and hose clips (c) are supplied with the kit.

Installation conditions requiring a non-return valve

 Danger of condensed water backflow.

Water could flow back into the tumble dryer or be drawn into it. Backflow water could damage the tumble dryer and also the room in which it is located.

The non-return valve should be used if the end of the hose is immersed in water, or if other water connections are installed.


Maximum delivery head with non-return valve fitted: 1.00 m

Installation conditions requiring the fitting of a non-return valve:

- Drainage into a laundry tub or floor gully where the end of the hose is immersed in water.
- Connection to a sink drain outlet.
- Connection to a drainage system already in use by another appliance, e.g. a dishwasher or washing machine.

If the non-return valve is incorrectly fitted the appliance will not drain. The non-return valve has to be fitted with the arrow on it pointing in the direction of flow.

Arranging the drain hose

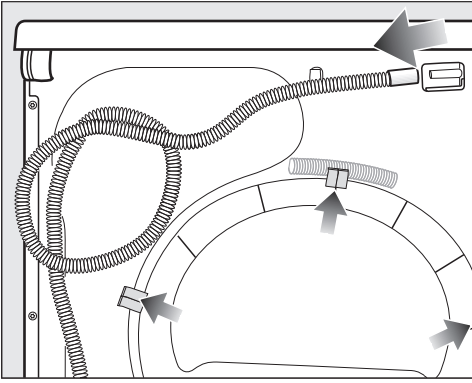
 Damage to the drain hose through incorrect handling.

The drain hose can suffer damage and leak.

Do not pull on the drain hose and do not stretch it or allow it to become kinked.

Installation

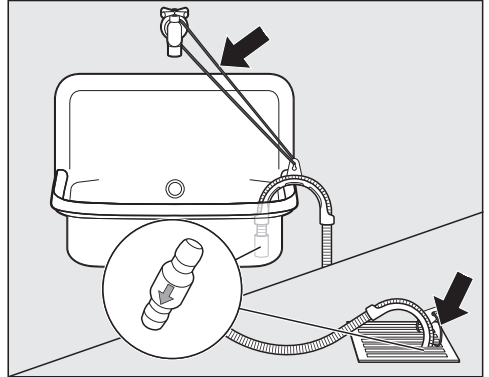
There will be a small amount of residual water left in the drain hose. Have a container ready to collect this.



- Pull the drain hose off its connection (light arrow).
- Pull the hose out of the holders (dark arrows) and unwind it.
- Allow any residual water to run into a container.

Examples

Drainage into a laundry tub or floor gully
Use the hose holder to secure the drain hose.



Risk of water damage.

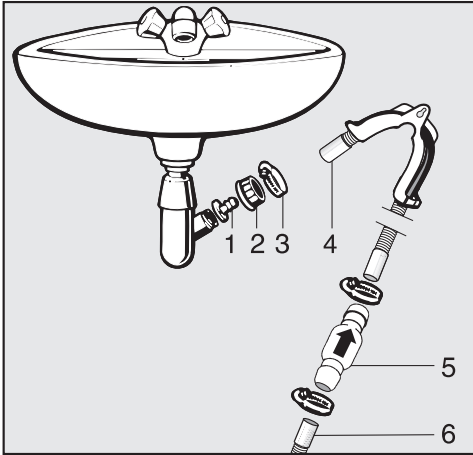
Should the end of the hose come loose, overflowing water can cause damage.

Secure the drain hose carefully (e.g., by tying it) to make sure it cannot slip.

The non-return valve can be fitted in the end of the hose.

Direct connection to a sink drain outlet

Use the hose holder, the hose clips and the non-return valve (available to purchase).



- Fit the adapter **1** to the sink drain outlet using the nut **2**. The nut is usually fitted with a washer which must be removed.
- Attach the end of the hose **4** to the adapter **1**.
- Use the hose holder.
- Use a screwdriver to tighten the hose clip **3** up close to the nut.
- Fit the non-return valve **5** to the tumble dryer drain hose **6**.

The non-return valve **5** has to be fitted so that the arrow points in the direction of flow (i.e. towards the sink).

- Secure the non-return valve using hose clips.

1. Adapter
2. Nut
3. Hose clip
4. End of the hose (secured with the hose holder)
5. Non-return valve
6. Tumble dryer drain hose

Installation

Changing the door hinging

You can change the door hinging on this tumble dryer yourself.

For safety reasons, the tumble dryer must be disconnected from the electricity supply before changing the door hinging.

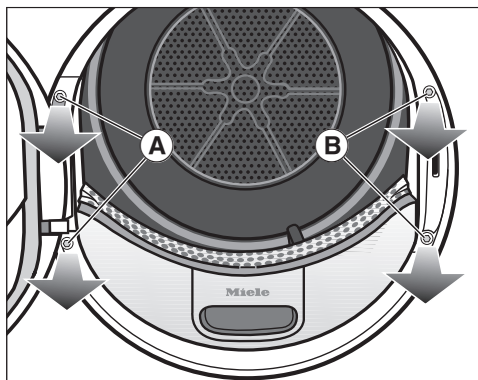
You will need:

- a T20 and T30 Torx screwdriver
- a flat head screwdriver or pointed pliers
- the lock catch cover supplied
- the door hinge cover supplied
- a soft surface (e.g. a tablecloth)

Changing the hinging over

1. Remove the door from the dryer

- Open the door.



- Use a T30 Torx screwdriver to unscrew the two screws on the base plate of the door hinge (A).

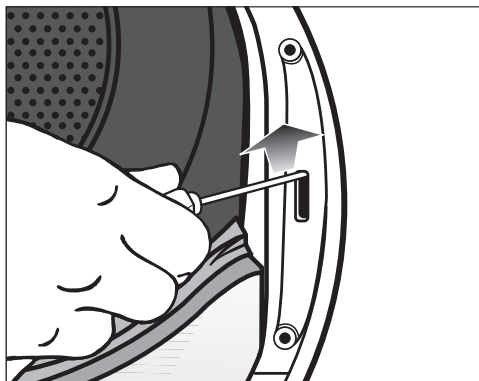
The door cannot fall off as it is held in place by two pins.

- Hold the door securely and pull it forwards: to remove the door you will need to pull the base plate of the hinge with its two pins out of the dryer.

To avoid scratching the door, place it outer side downwards on a soft surface (e.g. a tablecloth).

2. Change over the door lock on the dryer

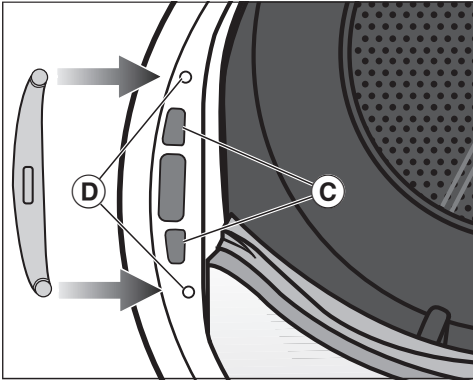
- Use a T30 Torx screwdriver to unscrew the two screws on the door lock (B).



- Use the screwdriver to press the door lock upwards.

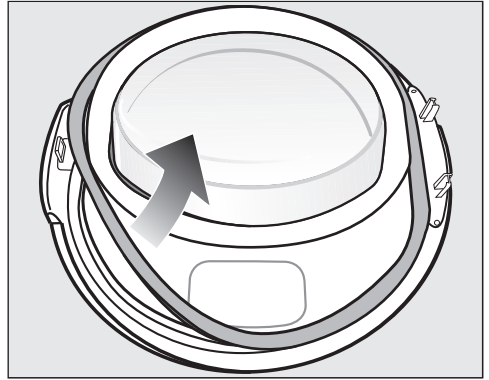
The door lock will spring out of its position and can then be removed.

- Turn the door lock through 180°.

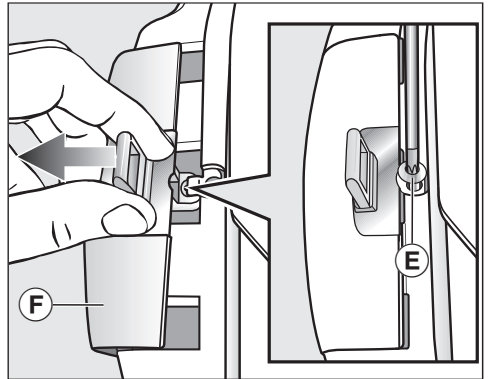


- Press the door lock into the openings ③ on the opposite side of the door opening.
- Adjust the position of the door lock so that the screw holes line up with those in the front panel of the dryer ④.
- Secure the door lock with the two Torx screws.

3. Remove the lock catch from the door

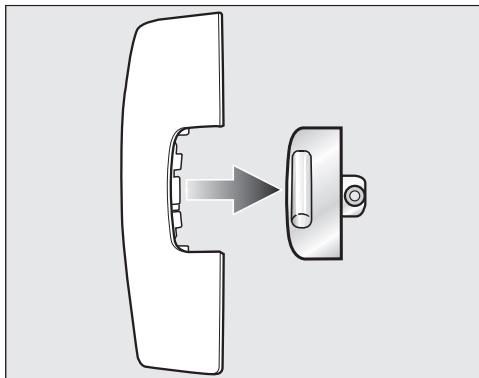


- First take the rubber seal off the door and place this to one side.



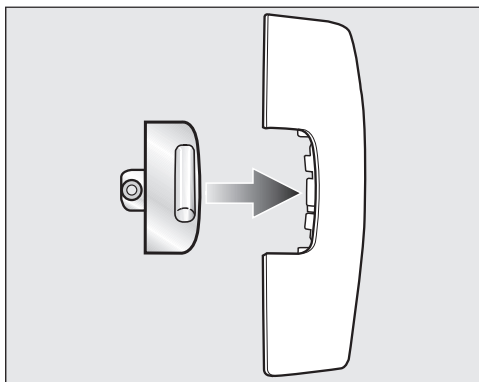
- Use a T20 Torx screwdriver to remove the screw ⑤ on the lock catch.
- Pull off the lock catch together with the lock catch cover ⑥.

Installation



- Remove the lock catch from the cover.

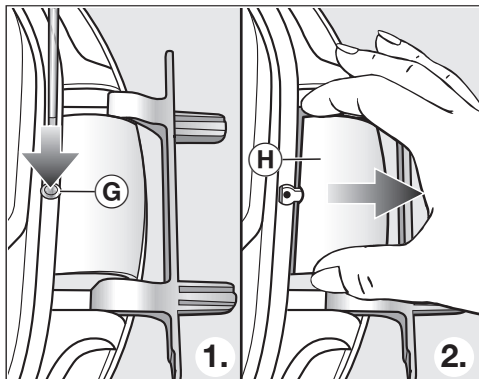
This lock catch cover is no longer needed. However, please keep it in a safe place.



- Insert the lock catch into the new cover supplied with the dryer.
- Place this new cover to one side for now.

4. Dismantle the door hinge from the door

The door hinge cover must be unclipped from position ⑥ and then removed.

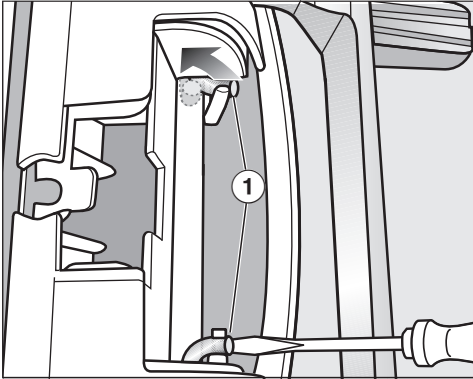


- Use a screwdriver to press down gently on position ⑥ on the door hinge cover.
- Using a little force, pull out the door hinge cover ⑦.

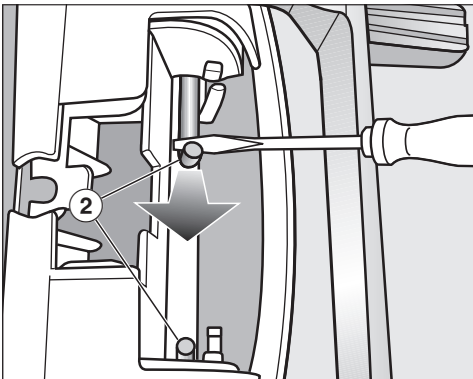
This door hinge cover is no longer needed. However, please keep it in a safe place.

5. Change the door hinge on the door

The door hinge is secured to the door with 2 angled rods. These rods need to be removed with a screwdriver or pointed pliers.



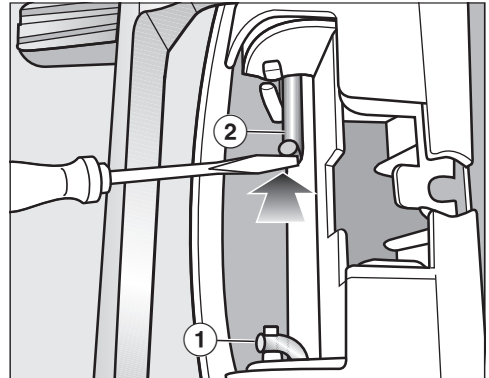
- Insert the end of the screwdriver blade under the rod ① and rotate it so it is in an upright position. Do the same to the other rod.



- Use the screwdriver or pointed pliers to guide first one then the other rod ② to the middle until each can be removed.

Useful tip: In some circumstances, the rods can be difficult to dislodge. Moving the screwdriver with a levering action while pulling at the same time may help to work the rods free.

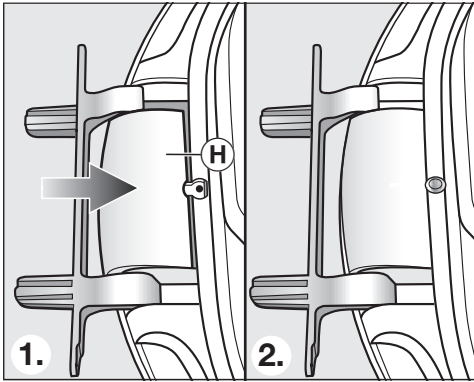
- Remove the door hinge and rotate it 180°.
- Refit the door hinge on the opposite side of the door.



- Secure the door hinge with the two rods ②.
- Position the tip of the screwdriver under the end of the rod and then push it into its resting position ①.

Installation

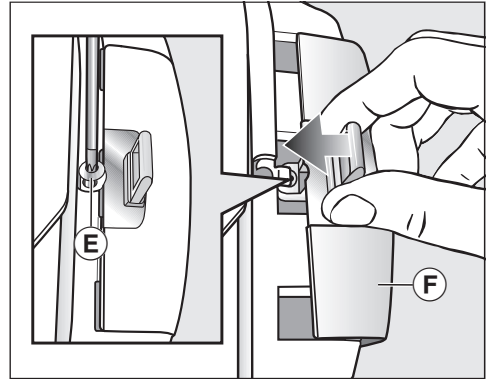
You now need the new door hinge cover supplied with the tumble dryer.



- Fit the new door hinge cover **H** and clip it into position.

6. Change the lock catch on the door

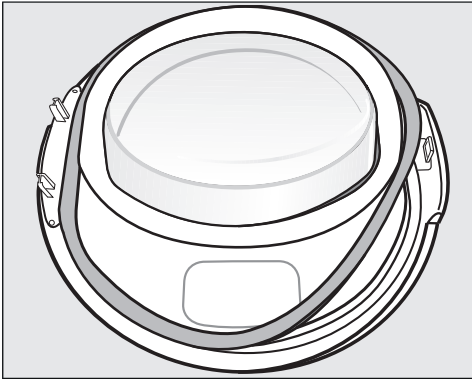
You now need the new lock catch cover supplied with the dryer which you have already fitted with the lock catch.



- Push the lock catch cover **F** with its lock catch into position.
- Tighten the screw **E** with a T20 Torx screwdriver.

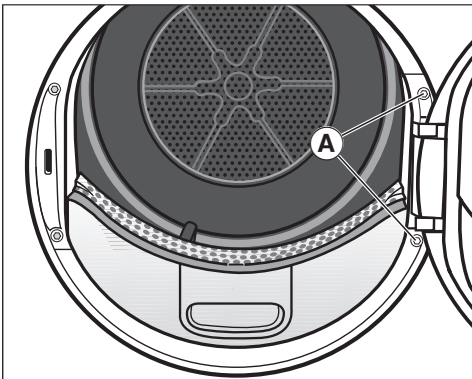
Refitting

7. Refit the door




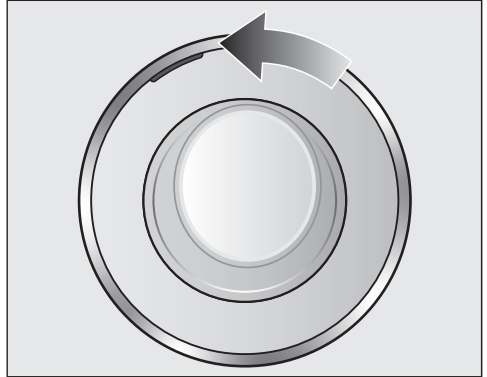
- Press the rubber seal back into the groove on the door.
- Position the door in front of the dryer.
- Fit the base of the door hinge with its two pins into the openings on the dryer.

The base of the door hinge must be flush with the front panel of the dryer. The door cannot fall off in this position.




- Screw the door securely to the dryer at the base of the door hinge (A) with a T30 Torx screwdriver.

 Now that you have changed the door hinging, the door will open from the opposite side.



- Push the orange marker round to the other side so that you will see at which side to pull the door open.

Note

 Please keep the lock catch and door hinge covers which were no longer needed in a safe place. These will be required if, for example, you move house and need to change the door hinging back to its original position.

Installation

Electrical connection

The tumble dryer is supplied with a mains cable with moulded plug ready for connection to a socket.

The socket should be easily accessible after the tumble dryer has been installed. If the socket is not easily accessible, ensure that a suitable means of disconnection is provided on the installation side for each pole.



Risk of fire from overheating.

Connecting the tumble dryer to a multi-socket plug adapter or to an extension lead can overload the cable.

For safety reasons, do not use an extension cable or multi-socket adapter.

All electrical work must be carried out by a suitably qualified and competent person in strict accordance with national and local safety regulations.

For safety reasons, we recommend using a suitable residual current device (RCD) in the relevant electrical installation for connecting the tumble dryer.

If the mains connection cable is damaged, it must only be replaced with a specific mains connection cable of the same type (available from Miele). For safety reasons, such replacement may only be carried out by a suitably qualified and competent electrician or a Miele authorised service technician, in order to avoid a hazard.

The data plate indicates the nominal power consumption and the connection data. Compare this information with the data of the on-site electrical connection. If in any doubt, consult a qualified electrician.

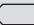
Temporary or permanent operation with a self-sufficient or non-mains synchronous energy supply system (e.g. isolated networks, back-up systems) is possible. A requirement for the operation is that the energy supply system complies with all current local and national requirements that apply to stand-alone, solar and/or battery systems.

The protective measures provided in the domestic installation and in this Miele product must also be assured in their function and operation in isolated operation or in non-mains synchronous operation, or replaced with equivalent measures in the installation.

Technical data

Height	850 mm
Width	596 mm
Depth	643 mm
Depth with door open	1077 mm
Suitable for pushing under a worktop	Yes
Height for pushing under a worktop	850 mm (+8/-2 mm)
Width for pushing under a worktop	600 mm
Depth for pushing under a worktop	600 mm
Suitable for stacking	Yes
Weight	Approx. 52 kg
Drum volume	120 l
Maximum capacity	9.0 kg (weight of dry laundry)
Capacity of condensed water container	4.8 l
Drain hose length	1.49 m
Maximum delivery head	1.00 m
Maximum drain hose length	4.00 m
Length of connection cable	2.00 m
Voltage	See data plate
Rated load	See data plate
Fuse rating	See data plate
Test certificates awarded	See data plate
Energy consumption	See "Consumption data"
LEDs	Class 1
Frequency band	2.4000 GHz – 2.4835 GHz
Maximum transmission power	< 100 mW

Consumption data

	Load size ¹	Final spin speed in washing machine	Residual moisture	Energy	Duration
	kg	rpm	%	kWh	min
Cottons 	9.0	1000	60	1.55	184
	4.5	1000	60	0.84	108
Cottons Normal	9.0	1200	53	1.40	166
	9.0	1400	50	1.30	158
	9.0	1600	44	1.15	141
Cottons Hand iron	9.0	1000	60	1.14	137
	9.0	1200	53	1.00	120
	9.0	1400	50	0.95	112
	9.0	1600	44	0.80	95
Minimum iron Normal	4.0	1200	40	0.45	66
Delicates Normal	2.5	800	50	0.41	70
Woollens handcare	2.0	1000	50	0.02	5
Shirts Normal	2.0	600	60	0.44	62
Express Normal	4.0	1000	60	0.75	100
Proofing Normal	2.5	800	50	0.75	100
¹ Weight of dry laundry					
All data was calculated using EN 61121 unless otherwise stated.					

Consumption data can vary from the nominal values given above depending on the size of the load, types of textiles, residual moisture levels after spinning and fluctuations in the electricity supply, or when water hardness levels differ from specified values.

Using the Cottons Normal programme is recommended for a mixed cotton load and is the programme used in energy consumption tests according to AS/NZS 2442 (Refer to <http://www.energyrating.gov.au> website for consumption data).

Programming

You can use the programmable functions to alter the dryer's electronics to suit your requirements.

Programming is carried out by following these steps (1, 2, 3 ... 9) using the sensors.

Accessing the programming level

Before you begin, ensure the following:

- Make sure that the programme selector is turned to any of the programme settings.
 - The door of the dryer is open.
- 1 Touch the *Start/Add laundry* sensor and hold it down whilst carrying out steps 2–3.
 - 2 Close the tumble dryer door.
 - 3 Wait until the *Start/Add laundry* sensor, which will now be flashing quickly, lights up constantly ...
 - 4 ... then release the *Start/Add laundry* sensor.

P01 will light up in the time display.

Choosing and selecting programmable functions

The number of the programmable function will appear in the display as *P* and a number: e.g. *P01*.

- 5 Touch the > or < sensor to scroll to the next or previous programmable function:

Programmable function	
<i>P01</i>	Cottons drying levels
<i>P02</i>	Minimum iron drying levels
<i>P04</i>	Cooling down temperature
<i>P05</i>	Buzzer volume
<i>P06</i>	Keypad tone
<i>P07</i>	PIN code
<i>P08</i>	Conductivity
<i>P11</i>	Display switch-off status
<i>P13</i>	Memory
<i>P14</i>	Anti-crease
<i>P19</i>	Buzzer is active
<i>P20</i>	Airways indicator
<i>P22</i>	Backlight brightness dimmed
<i>P24</i> *	RemoteUpdate
<i>P31</i> *	Remote control
<i>P32</i> *	SmartGrid
<i>P00</i>	Factory default setting

* only visible after networking

Programmable functions

- 6 Confirm the selected programmable function by touching the *Start/Add laundry* sensor.

Editing and saving the programmable function

You can switch a programmable function on or off or select different options.

The programmable function option will appear in the time display as - and a number:
e.g. -00.

- 7 Touch the > or < sensor to switch the programmable function on/off or to select an option:

Programmable function	Available options							
	-00	-01	-02	-03	-04	-05	-06	-07
P01		X	X	X	✓	X	X	X
P02		X	X	X	✓	X	X	X
P04		X	X	X	X	up to -16✓		
P05		X	✓					
P06	X	✓	X					
P07	✓	X						
P08		✓	X					
P11	X	✓						
P13	✓	X						
P14	X	X	✓					
P19	X	✓						
P20	X	X	✓	X				
P22		X	✓	X	X	X	X	X
P24	X	✓						
P31	X	✓						
P32	✓	X						


P00	X	X						
-----	---	---	--	--	--	--	--	--

X = can be selected, ✓ = factory default

- 8 Confirm your selection with the *Start/Add laundry* sensor.

The number of the programmable function, e.g. P01, will light up again.

Exiting the programming level

- 9 Turn the programme selector to the  position.

The settings have been changed. You can alter the settings again at any time.


P01 Cottons drying levels

You can adjust the drying levels for the *Cottons* programme to one of 7 different levels.

Options

- 01 = even damper
- 02 = damper
- 03 = a little damper
- 04 = **factory setting**
- 05 = a little drier
- 06 = drier
- 07 = even drier

Exception:

The *Cottons*  programme will remain unchanged.

P02 Minimum iron drying levels

You can adjust the drying levels for the *Minimum iron* programme to one of 7 different levels.

Options

- 01 = even damper
- 02 = damper
- 03 = a little damper
- 04 = **factory setting**
- 05 = a little drier
- 06 = drier
- 07 = even drier

P04 Cooling temperature

The laundry will be cooled to 55 °C before the end of the programme. It can be cooled to a lower temperature, but this will prolong the cooling phase.

The level is set in increments of 1 °C.

- 16 = **factory setting 55 °C**
- 15 = 54°C
- 14 = 53°C
- 13 = 52°C
- 12 = 51°C
- 11 = 50°C
- 10 = 49°C
- 09 = 48°C
- 08 = 47°C
- 07 = 46°C
- 06 = 45°C
- 05 = 44°C
- 04 = 43°C
- 03 = 42°C
- 02 = 41°C
- 01 = 40°C

P05 Buzzer volume

The buzzer volume can be changed.

- 01 = quieter
- 02 = **factory setting**

P06 Keypad tone

The tone that sounds when a sensor is pressed can be changed or switched off.

Options

- 00 = Off
- 01 = **Factory default setting**
- 02 = Louder

P07 PIN Code

The code prevents your machine being used without your knowledge.

When the code has been activated, you have to enter the code after switching the dryer on. Otherwise the dryer cannot be operated.

Options

- 00 = **Off (factory setting)**
- 01 = On

If option -01 has been selected, after switching on you will have to enter the code before you can operate the dryer.

Using the dryer when the code is activated

After the dryer is switched on, ... will flash in the time display.

The code is 250 and cannot be altered.

- Touch the > sensor until a 2.. flashes in the first position.

Programmable functions

- Confirm with the *Start/Add laundry* sensor.
- Enter the two other numbers in the same way.

The dryer is ready for use after *250* has been entered and confirmed.

P08 Conductivity

This programmable function should only be altered if the water is so soft that it is likely to cause the electronics which sense residual moisture in the laundry to give false readings.

Options

- 01 = **Off (factory setting)**
- 02 = low

Important

This programmable function should only be set if the water used for washing the laundry is extremely soft with a conductivity reading (electrical conductivity) of less than 150 $\mu\text{S}/\text{cm}$. To find out the conductivity level of your mains water, contact your local water authority.

Make sure that you only activate -02 for the condition described above. Otherwise, drying results can be unsatisfactory.

P11 Control panel standby status

To save energy, the time display and the sensors will go out once the programme has been running for 10 minutes. In this case, the *Start/Add laundry* sensor flashes slowly.

However, there is no switch-off in the event of a fault.

Options

- 00 = Off
The time display and the sensors do not go out.
- 01 = **On (factory setting)**
The time display and the sensors will go out once the programme has been running for 10 minutes.

“Switch on” display again

- Touch the *Start/Add laundry* sensor. This will not affect a running programme.

P13 Memory

You can set the following: The electronics will save the drying level and any options selected for the current drying programme. They will also save the duration of the *Warm air/DryFresh* programme. The next time the programme is selected these saved settings will appear in the display.

Options

- 00 = **Off (factory setting)**
- 01 = On

Exception:

The *Cottons*  programme will remain unchanged.

P14 Anti-crease

After the programme has finished, the drum will continue to rotate at intervals for a max. of 2 hours. This helps prevent creasing if the laundry is not removed immediately after the end of the programme. The duration can be shortened.

Options

- 00 = no Anti-crease
- 01 = 1 hour
- 02 = **2 hours (factory setting)**

P19 Buzzer is active


The buzzer sounds to let you know the programme has finished. It can be switched on or off.

The continuous tone which sounds when there are error messages is independent of the buzzer.

Options




- 00 = Off
- 01 = **On (factory setting)**

P20 Airways indicator

Fluff must be removed after every drying programme. In addition, this indicator will remind you to clean the filters when a certain amount of fluff has collected in them:  You can decide at what level of fluff this reminder should be given.

You will have an idea of how often this should be done after a few drying programmes.

Options

- 00 = Off
 -  does not light up. However, if there is a very severe blockage in the ducting, the programme will be cancelled and the error message *F 066* will appear in the display regardless of this option.
- 01 = Heavy
 -  lights up when there is a heavy build-up of fluff.
- 02 = **Normal (factory setting)**
- 03 = Light
 -  lights up when there is only a small build-up of fluff.

P22 Backlight brightness dimmed

The brightness of the dimmed sensors in the control panel can be set to one of 7 different levels.

The brightness will change as soon as a different setting is chosen.

Options

- 01 = darkest level
- 02 = **factory setting**
- ...
- 07 = brightest level

P00 factory default setting

All programmable functions are reset to the factory default settings.

- 00 = Factory default setting is set
- 01 = Reset programmable functions to the factory default settings

Programmable functions

Network


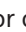
The *P24*, *P31* and *P32* programmable functions are only displayed if the requirements for using Miele@home have been met (see “Miele@home” and “Before using for the first time”).

Switching off Wi-Fi

The network configuration should be reset whenever the dryer is being disposed of or sold, or if a used dryer is being put into operation. This is the only way to ensure that all personal data has been removed and, in the case of the latter, the previous owner will no longer be able to access the appliance.

- Turn the programme selector to *MobileStart* .

Con will light up in the time display of the tumble dryer.

- Touch the  sensor on the tumble dryer and hold the  sensor until the countdown in the time display has finished.

--- appears in the time display.

- The Wi-Fi is switched off.
- The Wi-Fi connection will be reset to the factory setting.

A new connection set-up has to be carried out in order to use Miele@home again.

P24 RemoteUpdate

The RemoteUpdate function is used for updating the software in your tumble dryer. If an update is available for your tumble dryer, it will automatically

download it. Updates will not be installed automatically. They must be initiated manually.

If you do not install an update, you can continue to use your tumble dryer in the usual way. However, Miele recommends installing updates.

Activation

Miele's RemoteUpdate function can only be used if the tumble dryer is connected to a Wi-Fi network (see “Settings - Miele@home”) and you have an account in the Miele App. The dryer must be registered in the App. See the Miele App for terms and conditions of use.

Running a RemoteUpdate

Information about the content and scope of an update is provided in the Miele App.

The message *UP* will appear in the time display if an update is available.

You can install the update immediately or postpone this until later. When the tumble dryer is switched on again, you will be reminded about the update.

Deactivate RemoteUpdate if you do not want to install any updates.

The update may take several minutes.

Please note the following information about the RemoteUpdate function:

- You will only receive a message when an update is available.
- Once an update has been installed, it cannot be undone.
- Do not switch off the tumble dryer during an update. Otherwise, the update will be aborted and will not be installed.

- Some software updates can only be carried out by a Miele service technician.

Switching on/Switching off

The RemoteUpdate function is activated as standard. Available updates will be downloaded automatically but will only be installed if you initiate the installation manually. Deactivate RemoteUpdate if you do not want any updates to be downloaded automatically.

Options

-00 = Off

-01 = **On (factory default)**

Starting the update

After the tumble dryer is switched on, *UP* appears in the time display.

- Touch the *Start/Add laundry* sensor.

UP starts to flash in the time display. The update starts.

Bars in the time display show the progress of the update:

I = 0%

|||||| = 100%

Postponing the update

After the tumble dryer is switched on, *UP* appears in the time display.

- Touch the  sensor.


The next time you switch on the appliance, you will be prompted to start the update again.

P31 Remote control

You can use the Miele App to check the status of your tumble dryer from anywhere and start it remotely. You can also control it remotely via the *MobileStart* programme.

Remote control is automatically activated when you connect the tumble dryer to the Wi-Fi network. You can switch off remote control if you do not want to operate the tumble dryer with your mobile device.

A programme can be cancelled via the App even if this programmable function is switched off.

Use the  sensor to set a timeframe during which you wish to start the tumble dryer and start the Delay start. The tumble dryer will then start within the specified timeframe when it receives your signal.

If it has not received a start signal by the latest start time set, the tumble dryer will start automatically.


Options


-00 = Off

-01 = **On (factory default)**

P32 SmartGrid (only functional in selected countries)

You can set your tumble dryer to start automatically based on an external signal within a certain time period.

If you have activated SmartGrid, the  sensor will have the new “SmartStart” function instead of the “Delay start” function.

Use the  sensor to set a SmartStart time period. The tumble dryer will then start within the time period specified by you when it receives an external signal.

Programmable functions

If an external signal has not been received by the latest start time set, the tumble dryer will start automatically (see “Delay start”).

Options

-00 = **Off (factory setting)**

-01 = On

Copyright and licences for the communication module

For the purpose of operating and controlling the communication module, Miele uses proprietary or third-party software that is not covered by open source licensing terms. These items of software/software components are protected by copyright. The copyright powers of Miele and third parties must be respected.

In addition, the communication module contains software components which are distributed under open source licensing terms. The open source components contained in the appliance along with the corresponding copyright notices, copies of the licensing terms valid at the time, and any further information can be accessed locally via IP using a web browser (*http://<IP address>/Licenses*), where <IP address> is the IP address of the appliance. The liability and warranty arrangements for the open source licences displayed in this location only apply in relation to the respective rights holders.

Miele Australia Pty. Ltd.

ACN 005 635 398

ABN 96 005 635 398

Level 4, 141 Camberwell Road
Hawthorn East, VIC 3123

1300 464 353 (1300 4 MIELE)

info@miele.com.au

www.miele.com.au

Miele New Zealand Limited

IRD 98 463 631

8 College Hill
Freemans Bay, Auckland 1011

0800 464 353 (0800 4 MIELE)

customercare@miele.co.nz

www.miele.co.nz

Miele Global Headquarters

Germany

Miele & Cie. KG

Carl-Miele-Straße 29

33332 Gütersloh

Federal Republic of Germany

TWH 780 WP

en-AU, NZ

M.-Nr. 12 127 441 / 00