

**Miele**



**PWM 509**

**PWM 909**

**en** Installation Plan Commercial Washing Machine


**fr** Schéma d'installation Laveuse professionnelle

**en** ..... 4

**fr** ..... 22

<b>Installation notes</b> .....	<b>4</b>
Installation requirements .....	4
Explanation of the safety notes and warnings on the machine .....	4
General operating conditions .....	4
Transportation and site access.....	4
Installation.....	5
Installation on concrete base .....	5
Leveling the machine .....	5
Electrical connection .....	6
Water connection.....	7
Cold water connection.....	7
Hot water connection .....	7
Drain valve (depending on model) .....	7
Drain pump (depending on model) .....	8
Dispenser connection.....	8
Optional accessories .....	9
Connector Box .....	9
WiFi/LAN interface.....	10
Base (APCL 054/055) .....	10
<b>Installation</b> .....	<b>11</b>
Standard .....	11
Base.....	13
<b>Installation</b> .....	<b>15</b>
Standard .....	15
Base.....	16
Floor anchoring.....	17
<b>Technical details</b> .....	<b>18</b>
Electrical connections .....	18
Water connection.....	19
Cold water connection.....	19
Warm water connection .....	19
Drain valve (DV).....	19
Drainage (DP) .....	19
Equipotential bonding.....	19
Installation dimensions .....	19
Anchoring.....	20
Transport data, weight and floor load.....	20
Emissions data.....	20







### Installation requirements

 **WARNING:** The washing machine must be installed by Miele Service or by properly trained staff of an authorized dealer.

- ▶ This washing machine must be installed in accordance with all relevant regulations and standards. Local energy supplier regulations must also be observed.
- ▶ This washing machine must only be operated in a room that has sufficient ventilation and which is frost-free.

The washing machine should not be installed or operated in any area where there is a risk of explosion.

### Explanation of the safety notes and warnings on the machine

	Read the operating instructions
	Read all the instructions, e.g., the installation instructions
	Warning, hot surfaces
	Warning, voltage up to 1000 volts
	Grounding
	Equipotential bonding

### General operating conditions

This washing machine is intended only for use in a commercial environment and must only be operated indoors.

- Ambient temperature: 32-105°F (0-40°C)
- Relative humidity: non-condensing
- Maximum height above sea level of location site: 6500 ft (2000 m)

Depending on the nature of the installation site, sound emissions and vibration may occur.

**Tip:** Have the installation site inspected and seek the advice of a specialist in instances where increased noise may cause a nuisance.

### Transportation and site access

The machine must not be moved without the transport safety device in place. Keep the transport safety device in a safe place. They must be reequipped if the machine is to be moved again (e.g., when relocating the machine).

### Installation

This washing machine must be transported to its installation site using a suitable pallet truck. Remove the transport packaging.

The washing machine must be set up on a completely level, horizontal, and firm surface with the minimum stated load bearing capacity (see "Technical data").

**Tip:** A concrete floor is the most suitable installation surface for this machine. It is far less prone to vibration during the spin cycle than wooden floorboards or a carpeted surface.

The floor load created by the washing machine is the load exerted by the area of the machine in contact with and transferred to the installation surface.

The washing machine requires a gap of at least 2" (50 mm) on each side to allow for movement during operation. Please ensure a minimum distance of 15 3/4" (400 mm) is maintained between the rear of the appliance and the rear wall.

The washing machine must not be installed on a carpeted floor.

The feet of the washing machine must be secured to the fastening points on the floor using the fixtures and fastenings supplied.


The material provided is intended for use in bolting the machine to a concrete floor. If other floor types are present at the installation site, the fixtures and fastenings must be provided by the customer.

### Installation on concrete base

The washing machine can be installed on a concrete base if desired.

The concrete materials and the durability of the concrete base must be assessed in accordance with the floor load bearing capacity given in "Technical data".

- To guarantee the stability of the washing machine, make sure that the concrete base is sufficiently stable on the floor and that it is capable of withstanding any burden or force from the washing machine.
- The washing machine must be secured to the concrete base using the fixtures and fastenings supplied.

 The washing machine must be secured to the base immediately after installation!

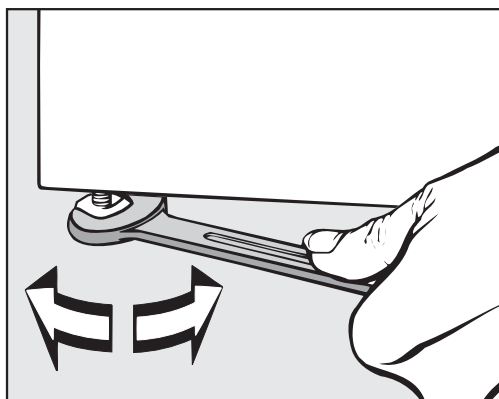
There is a risk of the washing machine falling off a raised base during a spin cycle if it is not secured.

### Leveling the machine

- Align the washing machine vertically and horizontally using the adjustable feet and a level.

The washing machine must stand perfectly level on all four feet to ensure safe and proper operation. Otherwise water and energy consumption will be increased and the machine could move.

- After aligning the machine tighten the lock nuts by turning them in a counterclockwise direction with a wrench. This will prevent the feet from moving.



### Electrical connection

The electrical connection must only be carried out by a qualified electrician who must ensure that all electrical work is carried out in accordance with applicable electrical regulations and standards.

► The washing machine must be connected to an electrical supply that complies with local and national regulations. Please also observe your insurance and energy supplier's regulations as well as any health and safety at work regulations.

► The required voltage, power consumption and specifications for external fusing are quoted on the data plate on the washing machine. Ensure that the supply voltage complies with the voltage quoted on the data plate before connecting the washing machine to the power supply.

Connection to a supply voltage other than the one quoted on the data plate can lead to functional faults and damage the washing machine.

If more than one voltage is quoted on the data plate, the washing machine can be converted for connection to the voltages stated.

► Conversion to a different voltage must only be carried out by a Miele Service engineer or by an authorized Service Dealer. The wiring instructions given on the wiring diagram must be followed. The washing machine can either be hard-wired or connected via a plug and socket that complies with national codes and regulations. For a hard-wired connection an all-pole isolation device must be installed on site.

For hard-wired machines connection should be made via a suitable switch with all-pole isolation which, when in the off position, ensures a 1/8" (3 mm) gap between all open contacts. These include circuit breakers, fuses and relays.

If the power supply cannot be permanently disconnected, the isolator switch (including plug and socket) must be safeguarded against being switched on either unintentionally or without authorization.

**Tip:** We recommend connection to the power supply via a suitable plug and socket which must be easily accessible for servicing and maintenance work after the machine has been installed.

► If it is necessary to install a residual current device (RCD) in accordance with local regulations, a type B residual current device (sensitive to universal current) must be used.

An existing type A residual current device (RCD) must be exchanged for a type B RCD.

► If local and national installation specifications require equipotential bonding, good galvanic contact must be guaranteed. Equipotential bonding must have a ground current rating > 10 mA.

### Water connection

The washing machine must be connected to a water supply system in accordance with local and national safety regulations. It can be connected to the water supply without a non-return valve, if national standards permit.

The flow pressure must amount to a minimum of 100 kPa (14.5 psi) and must not exceed an overpressure of 1,000 kPa (145 psi). If the flow pressure is higher than 1,000 kPa (145 psi), a pressure reducing valve must be used.

The machine must be connected to the water connection using the water inlet hoses provided.

⚠ The connection points are subject to water connection pressure. Turn on the water supplies slowly and check for leaks. Correct the position of the seal and screw thread if appropriate.

### Cold water connection

For the cold water connection one faucet each with a  $\frac{3}{4}$ " screw thread is required.

If a water connection is not available, only a qualified installer may connect the washing machine to the drinking water supply.

The inlet hose for cold water is not suitable for connection to a hot water connection.

### Hot water connection

The same connection requirements as for cold water also apply to hot water up to 158 °F (70 °C).

A suitable connection hose with a threaded union is supplied with the machine.

The machine with hot water connection also requires a cold water connection.

In the event that hot water is not available on site, a cold water supply must be used for the hot water connection.

The required amount of hot water should be added to the cold water volume.

Alternatively, the hot water connection should be blocked using the blind stopper supplied with the machine and the machine controls should be set to cold water intake.

## en - Installation notes

---


### Drain valve (depending on model)

In the case of washing machines with a drain valve, a motorized valve is used to drain the machine. An HT DN 70 (2 15/16" | 75 mm) angle connector can be used for connecting the drain valve directly into the waste water system (without a siphon) or into a floor drain (on-site gully with odor trap).

Thanks to an improved closing mechanism and a larger cross-section, even the coarsest of soil does not leave any deposits or debris behind which could result in blockages. The drain valve can also be operated manually to allow the suds container to be emptied in the event of a power failure.

A vented drainage system is vital for unimpeded drainage. If several machines are connected to a single drain pipe, this should be sufficiently large to allow all machines to drain simultaneously. If the slope for drainage is extremely steep, the piping must be vented to prevent formation of a vacuum in the washing machine's drainage system.

Slow or obstructed drainage or a backup of water in the drum as a result of undersized pipework can result in faults occurring during program sequences, which will result in fault messages appearing in the machine display.

 Outflowing suds can be as hot as 203°F (95°C). Danger of injury by burning!  
Avoid direct contact.

### Drain pump (depending on model)

In machines with drain pump, the suds are drained through a drain pump with a delivery head of max. 3.3 ft (1 m).

The drain hose must be installed free of kinks for the suds to drain freely.

There are the following options for draining the machine:

- drain hose connected to a plastic drain pipe with a rubber sleeve (there is no need to use a siphon)
- drain hose connected securely to a sink with a plastic nipple
- connected securely to a floor drain (gully)

If required, the hose can be extended to a length of up to 16.4 ft (5 m). For a drain height of more than 3' 3" (1 m), a replacement drain pump for a delivery head of max. 6 ft (1.8 m) is may be needed.

### Dispenser connection

The machine is equipped with an interface for external dispenser systems. Adapters for pre-mixed suds or liquid detergent from external dispenser systems for up to 6 connections should be obtained from Miele Customer Service and connected.

A separate Connector Box is required for controlling the dispenser pumps electrically. This must be installed by your Miele dealer or Miele Customer Service. It is particularly important to observe the manufacturer's instructions when using a combination of cleaning agents and special application products.



### Optional accessories

Only use genuine Miele spare parts and accessories with this machine.

Using parts or accessories from other manufacturers may void the warranty, and Miele cannot accept liability.

#### Connector Box

The Connector Box allows external hardware from Miele and other suppliers to be connected to the Miele Professional washing machine. The Connector Box is supplied with voltage by the Miele Professional washing machine.

The separately available set consists of the Connector Box and fasteners for installation on the machine or on the wall.

#### Peak load/energy management

A peak-load or energy management system can be connected via the Connector Box.

The energy management system monitors the energy consumption of a system and deactivates individual pieces of equipment temporarily by means of the peak-load negotiation in order to ensure that certain total load limits are not exceeded.

When the peak-load function is activated, the heating is deactivated and the program stopped. A message appears in the display to inform you of this.

The program is resumed automatically when the peak-load function finishes.

#### Liquid dispensing connection

External liquid dispenser pumps with a “container empty” indicator and/or flowmeters can be used via the Connector Box to dispense liquid detergents.

It is particularly important to observe the manufacturer’s instructions when using a combination of cleaning agents and special application products.

## en - Installation notes

---

### WiFi/LAN interface

The washing machine is equipped with a WiFi/LAN interface for exchanging data.


The data interface provided on the LAN connection complies with SELV (Safety Extra Low Voltage) in accordance with EN 60950. The LAN connection uses a RJ45 connector in accordance with EIA/TIA 568-B.

Connected machines must also comply with SELV.

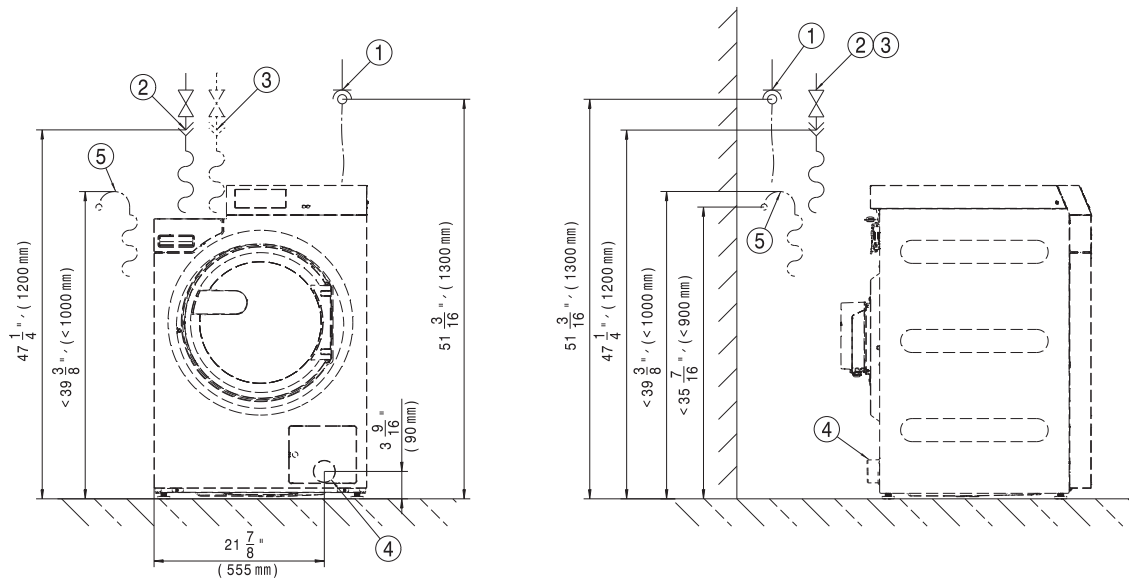
### Base (APCL 054/055)

The washing machine can be installed on a machine base (open or box base, available as an optional Miele accessory).

Elevating the washing machine gives a better ergonomic working position when loading or unloading. At the same time it facilitates the installation of a drain connection.

 The washing machine must be secured to the base immediately after installation. The base must be secured to the floor. There is a risk of the washing machine falling off a raised base during a spin cycle if it is not secured.

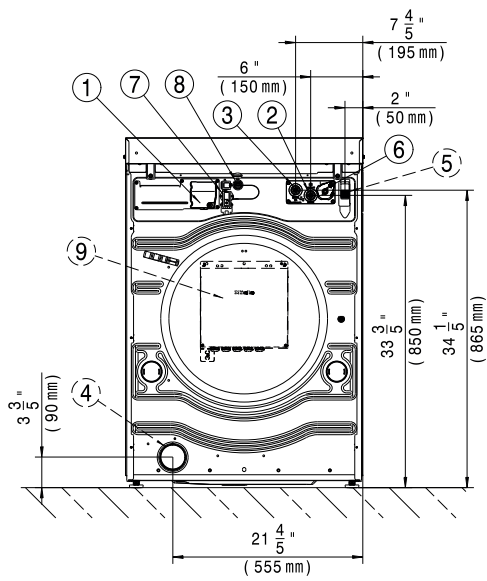
Standard



- ① Electrical connection
- ② Cold water connection
- ③ Hot water connection
- ④ Drain pipe (DV versions only)
- ⑤ Drain connection (DP versions only)

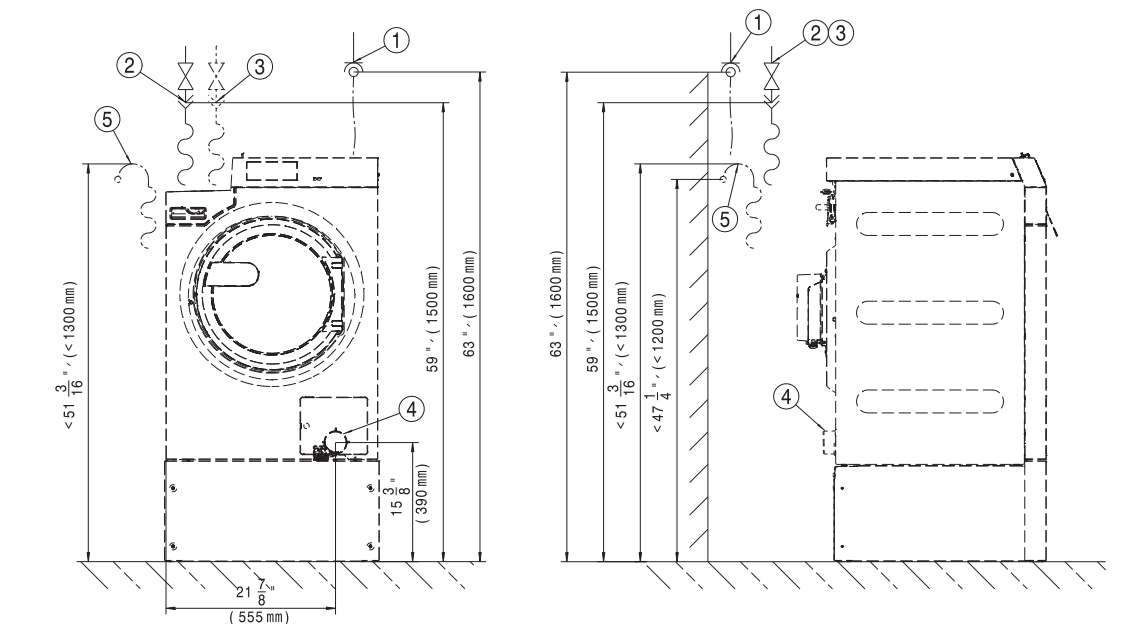
# en - Installation

## Standard



- ① Electrical connection
- ② Cold water connection
- ③ Hot water connection
- ④ Drain pipe (DV versions only)
- ⑤ Drain connection (DP versions only)
- ⑥ Dispenser pump connection
- ⑦ Connection for Connector Box
- ⑧ LAN connection
- ⑨ Connector Box (optional)

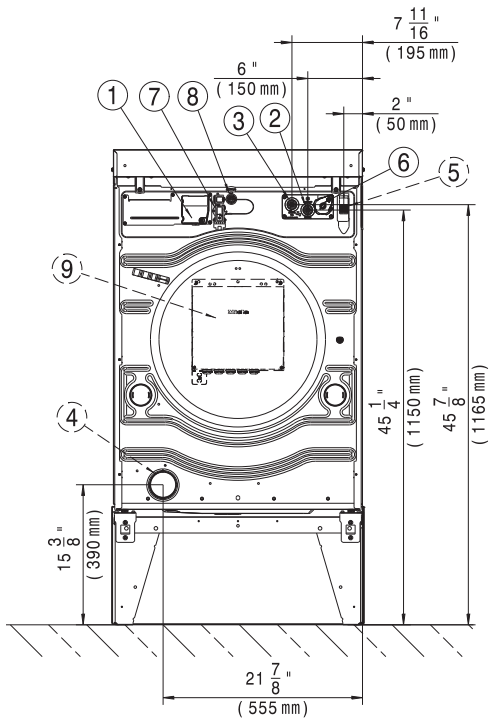
Base



- ① Electrical connection
- ② Cold water connection
- ③ Hot water connection
- ④ Drain pipe (DV versions only)
- ⑤ Drain connection (DP versions only)

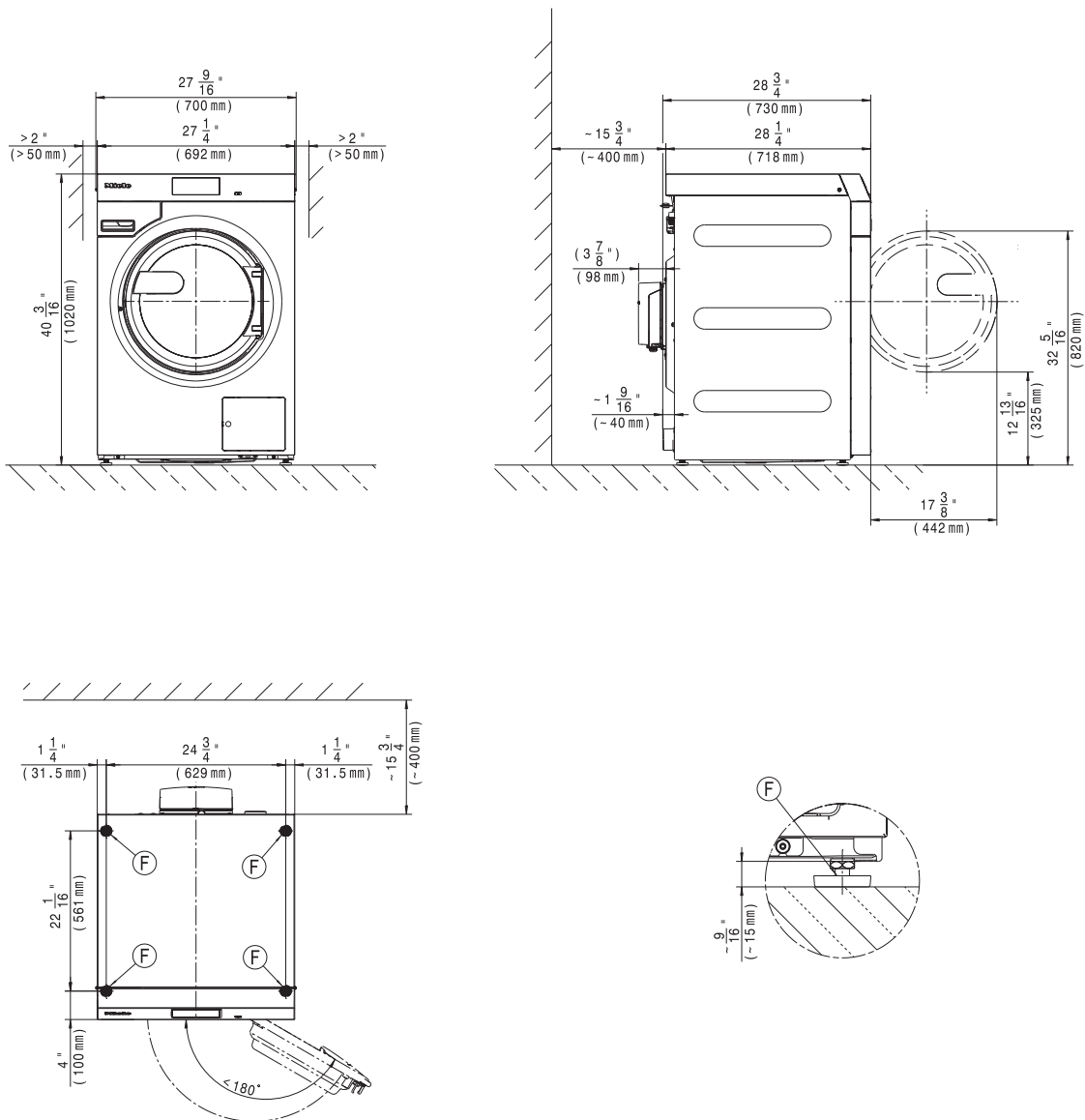
# en - Installation

## Base



- ① Electrical connection
- ② Cold water connection
- ③ Hot water connection
- ④ Drain pipe (DV versions only)
- ⑤ Drain connection (DP versions only)
- ⑥ Dispenser pump connection
- ⑦ Connection for Connector Box
- ⑧ LAN connection
- ⑨ Connector Box (optional)

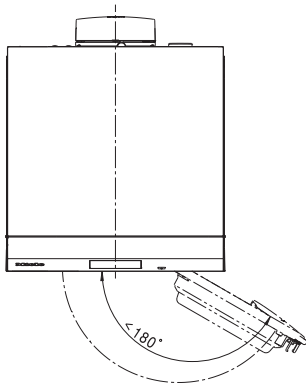
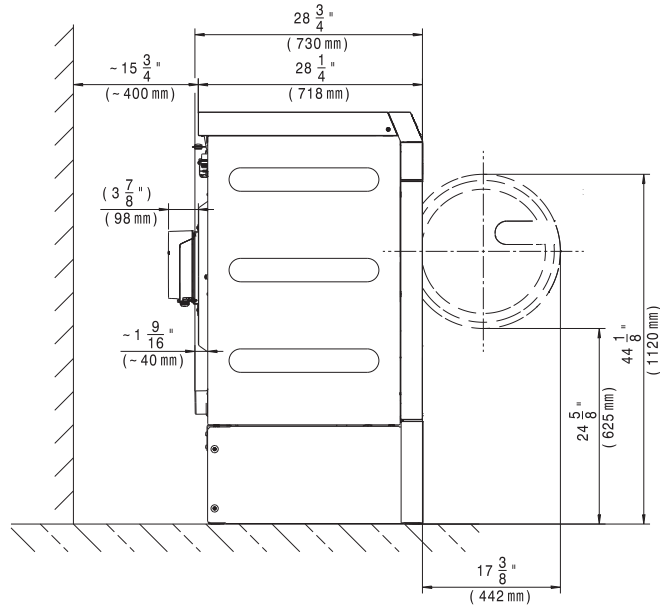
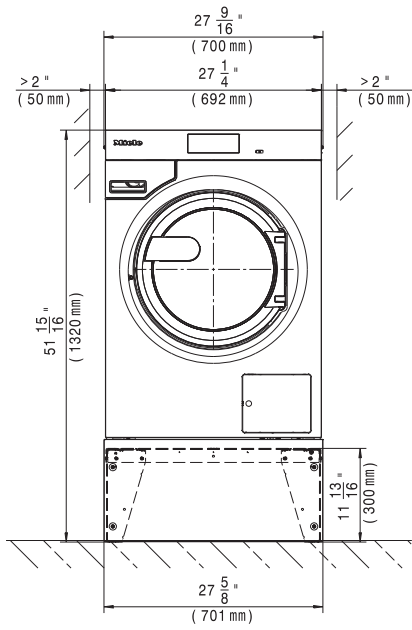
Standard



Ⓕ Machine foot

# en - Installation

## Base

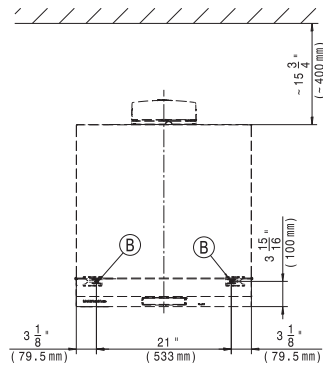
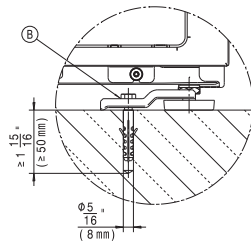


Ⓕ Machine foot

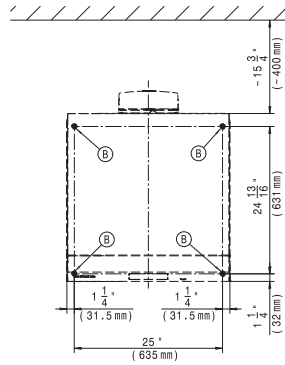
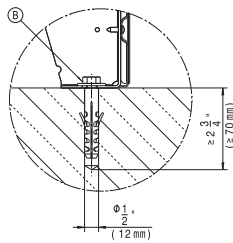


## Floor anchoring

### Standard



### Base



Dimensions in inches (mm)

Ⓑ screw/anchor point

## en - Technical details

---

### Electrical connections

Connection voltage	<b>208/240 V 2 Ph 3 Wire</b>
Frequency	60 Hz
Total amps.	22.4 A
Max. fuse (time delay fuse)	30 A
Minimum circuit ampacity	22.4 A

## Water connection

### Cold water connection

Required flow pressure	14.5-145 psi (100-1000 kPa/1-10 bar)
Maximum flow rate	10 l/min
Threaded union required (male thread, to be provided by customer on site in accordance with DIN 44991, flat sealing)	3/4"
Length of water inlet hose supplied	61" (1.55 m)

### Warm water connection

Maximum permissible hot water temperature	158 °F (70 °C)
Required flow pressure	14.5-145 psi (100-1000 kPa/1-10 bar)
Maximum flow rate	10 l/min
Threaded union required (male thread, in accordance with DIN 44991, flat sealing)	3/4"
Length of water inlet hose supplied	61" (1.55 m)

### Drain valve (DV)

Maximum waste water temperature	203 °F (95 °C)
Waste water connection (on machine)	Plastic pipe HT DN 70
Drain (on site)	Connection DN 70
Maximum drainage rate	200 l/min

### Drainage (DP)

Maximum waste water temperature	203 °F (95 °C)
Waste water connection (on machine)	External diameter 22 (DN 22 / 22 mm / 7/8")
Maximum drainage rate	26 l/min

### Equipotential bonding

Connection with male thread	10×35 mm
Washers and nuts	M10

If local and national installation specifications require equipotential bonding, good galvanic contact must be guaranteed. Accessories for equipotential bonding are not supplied and need to be ordered separately.

### Installation dimensions

Casing width (without add-on components)	27 1/4" (692 mm)
Casing height (without add-on components)	39 13/16" (1012 mm)
Casing depth (without add-on components)	28 1/4" (718 mm)
Overall machine width	27 9/16" (700 mm)
Overall machine height	40 3/16" (1020 mm)
Overall machine depth	28 3/4" (730 mm)
Minimum width of transport opening	31 1/2" (800 mm)
Minimum safety distance between wall and rear of machine	15 3/4" (400 mm)
Door opening diameter	14 9/16" (370 mm)
Door opening angle	180°

## en - Technical details

---

### Anchoring

#### Standard

Required anchor points	2
DIN 571 wood screw (diameter x length)	1/2" x 3 1/2" (12 mm x 90 mm)
Rawl plugs (diameter x length)	5/8" x 3 1/8" (16 mm x 80 mm)

#### With base (APWM)

Required anchor points	4
DIN 571 wood screw (diameter x length)	1/2" x 3 1/2" (12 mm x 90 mm)
Rawl plugs (diameter x length)	5/8" x 3 1/8" (16 mm x 80 mm)

#### Concrete plinth

Required anchor points	2
DIN 571 wood screw (diameter x length)	1/2" x 3 1/2" (12 mm x 90 mm)
Rawl plugs (diameter x length)	5/8" x 3 1/8" (16 mm x 80 mm)

### Transport data, weight and floor load

Packaging width	29 1/2" (2 x 750 mm)
Packaging height	47 13/16" (1214 mm)
Packaging depth	32 3/16" (817 mm)
Gross volume	2 x 744 L
Gross weight*	346.2 lb / 178.6 lb (157 kg / 81 kg)
Net weight*	319.7 lb / 152.1 lb (145 kg / 69 kg)
Maximum floor load during operation*	3250 N


\*depending on equipment configuration

### Emissions data

Workplace-related sound pressure level, washing	50 dB (A)
Sound power level, washing	59.2 dB (A)
Workplace-related sound pressure level, spinning	63 dB (A)
Sound power level, spinning	73.7 dB (A)
Average heat dissipation rate to installation site	2.3 MJ/h
Emission sound pressure level	65 dB (A) re 20 µPa

<b>Remarques sur l'installation</b> .....	<b>22</b>
Conditions d'installation.....	22
Explication des consignes de sécurité et des avertissements sur l'appareil.....	22
Conditions de fonctionnement générales.....	22
Transport et accès au site .....	23
Installation.....	23
Montage sur un socle en béton.....	23
Ajustement .....	24
Raccordement électrique.....	24
Raccordement à l'eau .....	25
Raccordement à l'eau froide .....	25
Raccordement à l'eau chaude.....	26
Vanne de vidange (selon le modèle) .....	26
Pompe de vidange (selon le modèle) .....	26
Raccordement de pompes doseuses.....	27
Accessoires en option .....	28
Boîte de raccordement .....	28
Interface Wi-Fi / LAN.....	29
Socle (APCL054 / 055) .....	29
<b>Installation</b> .....	<b>30</b>
Standard .....	30
Socle.....	32
<b>Installation</b> .....	<b>34</b>
Standard .....	34
Socle.....	35
Ancrage au sol.....	36
<b>Données techniques</b> .....	<b>37</b>
Plages de tension et données électriques.....	37
Raccordement à l'eau.....	38
Raccordement à l'eau froide .....	38
Raccordement à l'eau chaude.....	38
Vanne de vidange (DV) .....	38
Vidange (pompe de vidange) .....	38
Liaison équipotentielle.....	38
Dimensions d'installation.....	38
Fixation.....	39
Données de transport, poids et charge au sol .....	39
Données d'émissions.....	39







### Conditions d'installation

 **ATTENTION:** La machine à laver doit être installée et mise en service par un technicien du service technique Miele ou par le personnel dûment formé d'un revendeur agréé par la marque.

- ▶ La machine à laver doit être installée conformément aux normes et réglementations en vigueur. Les prescriptions du fournisseur d'énergie local et des services des eaux doivent en outre être respectées.
- ▶ Cette machine à laver ne doit être utilisée que dans une pièce suffisamment ventilée et à l'abri du gel.

La machine à laver ne doit pas être installée ou utilisée dans une zone présentant un risque d'explosion.

### Explication des consignes de sécurité et des avertissements sur l'appareil

	Lire le mode d'emploi
	Lire toutes les instructions, par ex. le plan de montage
	Attention, surfaces très chaudes
	Attention, tension jusqu'à 1 000 volts
	Mise à la terre
	Liaison équipotentielle

### Conditions de fonctionnement générales

Cette machine à laver est conçue uniquement pour une utilisation en intérieur et dans un environnement commercial.

- Température ambiante : 0-40 °C (32–105 °F)
- Humidité relative : sans condensation
- Hauteur maximale au-dessus du niveau de la mer du site de l'emplacement : 2000 m (6500 pieds)

Selon la nature du site d'installation, des émissions sonores et des vibrations peuvent survenir.

**Conseil :** Faire inspecter le site d'installation et faire appel à un professionnel dans le cas où l'augmentation des émissions sonores deviendrait une nuisance.

### Transport et accès au site

Ne déplacez jamais l'appareil sans que le dispositif de sécurité pour le transport soit en place. Gardez le dispositif de sécurité pour le transport dans un endroit sécurisé. Réinstallez-les si l'appareil doit à nouveau être déplacé.

### Installation

Transporter la laveuse vers son lieu d'installation à l'aide d'un transpalette approprié et retirer l'emballage de transport.

La laveuse doit être installée sur une surface entièrement plane, horizontale et solide qui résiste au moins à une charge au sol indiquée (voir « Données techniques »).

**Conseil :** Un sol en béton est la surface d'installation la mieux adaptée pour cet appareil. En effet, il est moins sujet aux vibrations du cycle d'essorage que les planchers en bois ou les sols recouverts d'une moquette.

La charge créée sur le plancher par la laveuse est la charge exercée par la zone de l'appareil en contact avec la surface d'installation et est transférée sur cette dernière.

La laveuse nécessite un écart d'au moins 50 mm (2 po) de chaque côté pour permettre le mouvement durant le fonctionnement. S'assurer qu'une distance minimum de 400 mm (15 3/4 po) entre l'arrière de l'appareil et le mur derrière est maintenue.

La laveuse ne doit pas être installée sur de la moquette.

Les pieds de la laveuse doivent être fixés au sol au niveau des points de fixation à l'aide des raccords fournies.

Les raccords fournis servent à fixer l'appareil sur un sol en béton. Si d'autres types de sol sont présents sur le lieu d'installation, le matériel de fixation doit être commandé par le client.

### Montage sur un socle en béton

Le lave-linge peut être installé en option sur un socle en béton.

La qualité du béton et la solidité du socle en béton doivent correspondre à la charge au sol indiquée au chapitre « Caractéristiques techniques ».

- Vérifiez que le socle en béton soit bien fixé au sol et résiste aux charges partant du lave-linge, afin de garantir la stabilité de l'appareil.
- Fixez impérativement le lave-linge à l'aide du matériel de fixation fourni selon l'installation du socle.

⚠ Après avoir terminé l'installation, le lave-linge doit impérativement être fixé sur le socle béton !

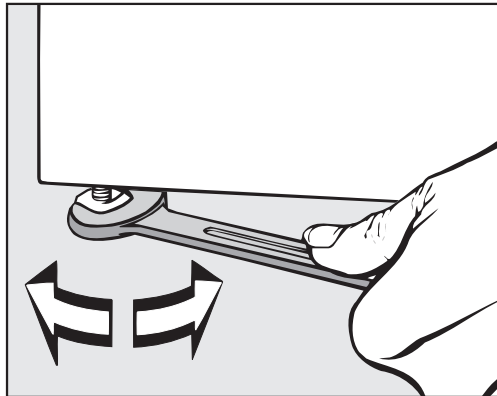
Attention ! Risque que sans fixation le lave-linge bascule du socle lors de l'essorage.

### Ajustement

- Ajustez le lave-linge après installation dans le sens longitudinal et transversal à l'aide de pieds réglables et d'un niveau à bulles.

Pour garantir un fonctionnement efficace et économe en énergie, le lave-linge doit être posé bien à l'horizontale sur ses 4 pieds. Dans le cas contraire, la consommation d'eau et d'énergie augmente et peut provoquer un déplacement de l'appareil.

- Serrez les contre-écrous après ajustement à l'aide d'une clé plate dans le sens contraire des aiguilles d'une montre, pour que les pieds ne puissent pas être déréglés.



### Raccordement électrique

Le raccordement électrique doit être effectué uniquement par un électricien qualifié qui est entièrement responsable du respect des normes et réglementations électriques en vigueur.

- ▶ La machine à laver doit être raccordée à un système électrique conforme aux réglementations nationales et locales. En outre, il convient de respecter tous les règlements des entreprises de distribution d'électricité et des compagnies d'assurance compétentes, de prévention des accidents ainsi que les règles de l'art reconnues.
- ▶ La tension réseau, la puissance raccordée et le calibre du fusible sont indiqués sur la plaque signalétique de la machine à laver. Avant de raccorder la machine à laver à l'alimentation électrique, s'assurer que la tension réseau indiquée sur la plaque signalétique correspond à celle de l'alimentation électrique principale.

Le raccordement à une tension réseau différente de celle indiquée sur la plaque signalétique peut entraîner des dysfonctionnements et endommager la machine à laver.

Si plusieurs tensions réseau sont indiquées sur la plaque signalétique, la machine à laver peut être convertie pour un raccordement aux tensions spécifiées par le service technique Miele.

- ▶ La conversion à une tension réseau différente ne peut être effectuée que par un technicien du service technique Miele ou par un technicien agréé. Les instructions de câblage figurant sur le schéma de câblage doivent être respectées.



La machine à laver peut disposer d'un raccordement fixe ou de type fiche/prise, conformément aux codes et règlements nationaux. Pour les appareils à raccordement fixe, le raccordement doit être effectué via un interrupteur approprié avec une isolation de tous les pôles sur le site d'installation.

Les interrupteurs garantissent une ouverture des contacts de plus de 3 mm. Cela inclut les disjoncteurs, les fusibles et les relais.

Si l'alimentation électrique ne peut pas être coupée de façon permanente, le interrupteur (y compris la fiche et la prise) doit être protégé contre toute mise sous tension involontaire ou non autorisée.

**Conseil :** Nous recommandons de raccorder l'alimentation électrique via une fiche et une prise appropriées, qui doivent être facilement accessibles pour les travaux de maintenance et d'entretien une fois l'appareil installé.

► Si les réglementations locales exigent l'installation d'un dispositif différentiel à courant résiduel (DDR), il convient d'utiliser un dispositif différentiel à courant résiduel de type B (sensible au courant universel).

Un dispositif différentiel à courant résiduel (DDR) existant de type A doit être remplacé par un DDR de type B.

Si les réglementations locales et nationales en matière d'installation exigent une liaison équipotentielle, une liaison équipotentielle avec une bonne liaison des contacts doit être établie. La liaison équipotentielle doit être effectuée à un courant de fuite de >10 mA.

► Si les spécifications d'installation locales et nationales nécessitent une liaison équipotentielle, un bon contact galvanique doit être garanti. La liaison équipotentielle doit avoir un courant nominal à la terre > 10 mA.

### Raccordement à l'eau

Le lave-linge doit être raccordé à un réseau d'eau domestique conformément aux normes de sécurité locales et nationales en vigueur. Il peut être raccordé à la source d'eau sans disconnecteur, si les normes nationales le permettent.

La pression de l'eau doit être de minimum 100 kPa (14,5 psi) et ne doit pas dépasser une surpression de 1000 kPa (145 psi). Si la pression de l'eau est supérieure à 1000 kPa (145 psi), un réducteur de pression doit être utilisé.

L'appareil doit être raccordé à l'alimentation en eau à l'aide des tuyaux d'arrivée d'eau fournis.

⚠ Les points de raccordement sont soumis à la pression de l'alimentation en eau.

Ouvrez lentement le robinet et vérifiez qu'il n'y a aucune fuite. Modifiez au besoin la position du joint et du raccord fileté.

### Raccordement à l'eau froide

Pour le raccordement à l'eau froide, un robinet muni d'un raccord fileté de 3/4 po est nécessaire.

Si aucun raccordement à l'eau n'est disponible, seul un installateur agréé peut raccorder la laveuse à l'alimentation en eau potable.

## fr - Remarques sur l'installation

Le tuyau d'arrivée d'eau froide n'est pas approprié pour un raccordement à l'eau chaude.

### Raccordement à l'eau chaude

L'eau chaude exige les mêmes conditions de raccordement que l'eau froide jusqu'à 158 °F (70 °C).

Un tuyau de raccordement adapté avec un raccord fileté est fourni avec l'appareil.

L'appareil équipé d'un raccordement à l'eau chaude nécessite également un raccordement à l'eau froide.

Si l'eau chaude n'est pas disponible côté client, une alimentation en eau froide doit être utilisée pour le raccordement à l'eau chaude.

La quantité d'eau chaude nécessaire doit être ajoutée au volume d'eau froide.

Sinon, il est possible de bloquer le raccordement à l'eau chaude à l'aide du bouchon d'obturation fourni avec l'appareil et de demander au technicien de service de régler les commandes de l'appareil sur l'arrivée d'eau froide.

### Vanne de vidange (selon le modèle)

Pour les laveuses dotées d'une vanne de vidange, une vanne motorisée est utilisée pour vidanger l'appareil. Un coude de raccordement HT DN 70 (75 mm | 2 15/16 po) peut être utilisé pour raccorder la vanne de vidange directement dans le système des eaux usées (sans siphon) ou via une vidange au sol côté client (avec siphon anti-odeur).

Un mécanisme de fermeture optimisé et un diamètre de coupe transversale supérieur empêchent la formation d'obstructions et de dépôts, même en cas de salissures importantes. La vanne de vidange peut également être utilisée manuellement pour vider le réservoir à bain lessiviel de façon exceptionnelle, en cas de panne de courant.

Un système de vidange ventilé est nécessaire pour assurer une bonne évacuation.

Si plusieurs appareils sont raccordés à une seule conduite de vidange, celle-ci doit être suffisamment grande pour permettre la vidange simultanée de tous les appareils.

Si la pente de vidange est extrêmement prononcée, les tuyaux doivent être purgés afin d'éviter la formation de vide dans le système de vidange de la laveuse.

Une vidange lente ou obstruée ou une accumulation d'eau dans le tambour de la laveuse résultant d'une conduite trop petite peut occasionner des anomalies qui feront apparaître des messages d'erreur à l'écran lors des déroulements de programmes.

⚠ La température du bain lessiviel peut atteindre 95 °C (203°F). Il existe un risque de brûlure!  
Éviter tout contact direct.

### Pompe de vidange (selon le modèle)

Dans les appareils équipés d'une pompe de vidange, le bain lessiviel est évacué par une pompe de vidange d'une hauteur de refoulement maximale de 1 m (39 3/8 po).

Pour que le bain lessiviel puisse s'évacuer librement, le tuyau de vidange ne doit présenter aucun coude.

Les options suivantes sont possibles pour vidanger l'appareil :

- tuyau de vidange raccordé à un conduit de vidange avec un manchon en caoutchouc (siphon non indispensable);
- tuyau de vidange solidement raccordé à un évier à l'aide d'un mame-lon en plastique
- solidement raccordé à une vidange au sol (avaloir).

Si nécessaire, le tuyau peut être rallongé de jusqu'à 5 m (16 pi 4 27/32 po).

Pour une hauteur de refoulement supérieure à 1 m (39 3/8 po), une pompe de vidange pour une hauteur de refoulement maximale de 1,8 m (6 pi) peut être nécessaire.

### **Raccordement de pompes doseuses**

L'appareil est équipé d'une interface pour les systèmes de dosage externes. Les adaptateurs pour les bains lessiviels ou la lessive liquide issue de systèmes de dosage externes jusqu'à 6 raccords doivent être connectés et obtenus par le service à la clientèle Miele.

Une boîte de raccordement est requise pour contrôler électriquement les pompes de dosage. Celle-ci doit être installée par votre revendeur Miele ou le service à la clientèle Miele. Il est très important de respecter les instructions du fabricant avant d'utiliser et de mélanger des détergents et des produits à usage spécifique.

### Accessoires en option

Utiliser uniquement les accessoires et les pièces de rechange d'origine Miele avec cet appareil.  
Si des pièces de rechange ou des accessoires d'autres fabricants sont utilisés, la garantie sera annulée, et Miele n'acceptera aucune responsabilité.

#### Boîte de raccordement

La boîte de raccordement permet de raccorder le matériel externe de Miele et d'autres fournisseurs à la laveuse Miele Professional.

La boîte de raccordement est alimentée en électricité par l'appareil Miele Professional.

Le jeu disponible séparément comprend la boîte de raccordement et les fixations pour l'installation sur l'appareil ou sur le mur.

#### Délestage / Gestion de l'énergie

Un délestage ou un système de gestion de l'énergie peut être raccordé à la boîte de raccordement.

Le système de gestion de l'énergie contrôle la consommation d'énergie d'un système et désactive temporairement des équipements individuels au moyen de la négociation de délestage pour garantir que certaines limites de charge totales ne soient pas dépassées.

Lorsque la fonction de délestage est activée, le chauffage est désactivé et le programme arrêté. Un message d'information s'affiche à l'écran.

Le programme reprend automatiquement à la fin de la fonction de délestage.

#### Raccordement à un système de dosage de produits liquides

Les pompes de dosage de produits liquides externes dotées d'un indicateur « réservoir vide » et/ou d'un débitmètre peuvent être utilisées via la boîte de raccordement pour le dosage de lessives liquides.

Il est très important de respecter les instructions du fabricant avant d'utiliser et de mélanger des détergents et des détergents à usage spécifique.

### Interface Wi-Fi / LAN

La laveuse est équipée d'une interface Wi-Fi / LAN pour échanger des données.


L'interface de données fournie par le raccordement LAN respecte la TBTS (Très Basse Tension de Sécurité), conformément à la norme EN 60950. Le raccordement LAN utilise un raccord RJ45, conformément à la norme EIA/TIA 568-B.

Les appareils branchés doivent également respecter la TBTS.

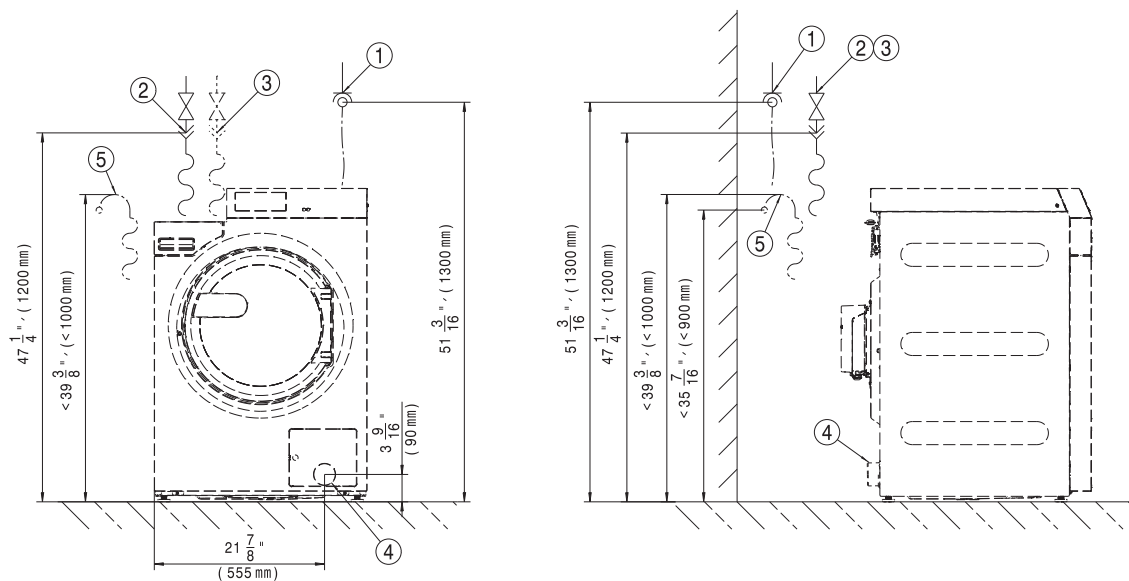
### Socle (APCL054 / 055)

La laveuse peut être montée sur un socle d'appareil (socle ouvert ou fermé, disponible en tant qu'accessoire Miele en option).

Surélever la laveuse permet une position de travail ergonomique lors du chargement et du déchargement. Cela facilite également l'installation d'un raccordement de vidange.

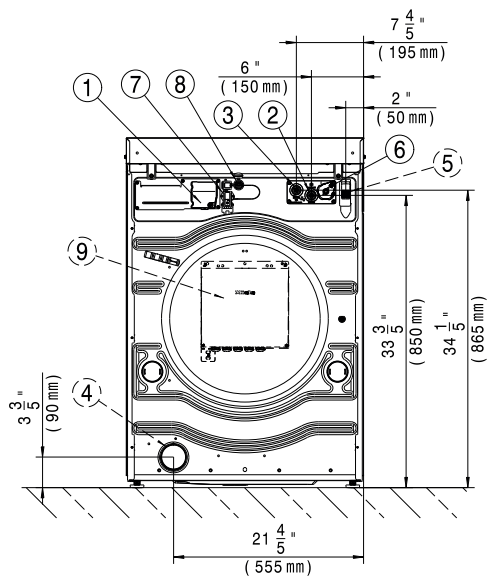
 La laveuse doit être fixée au socle juste après son installation. Le socle doit être fixé au sol. Si le socle n'est pas fixé, la laveuse risque de tomber pendant un cycle d'essorage.

## Standard



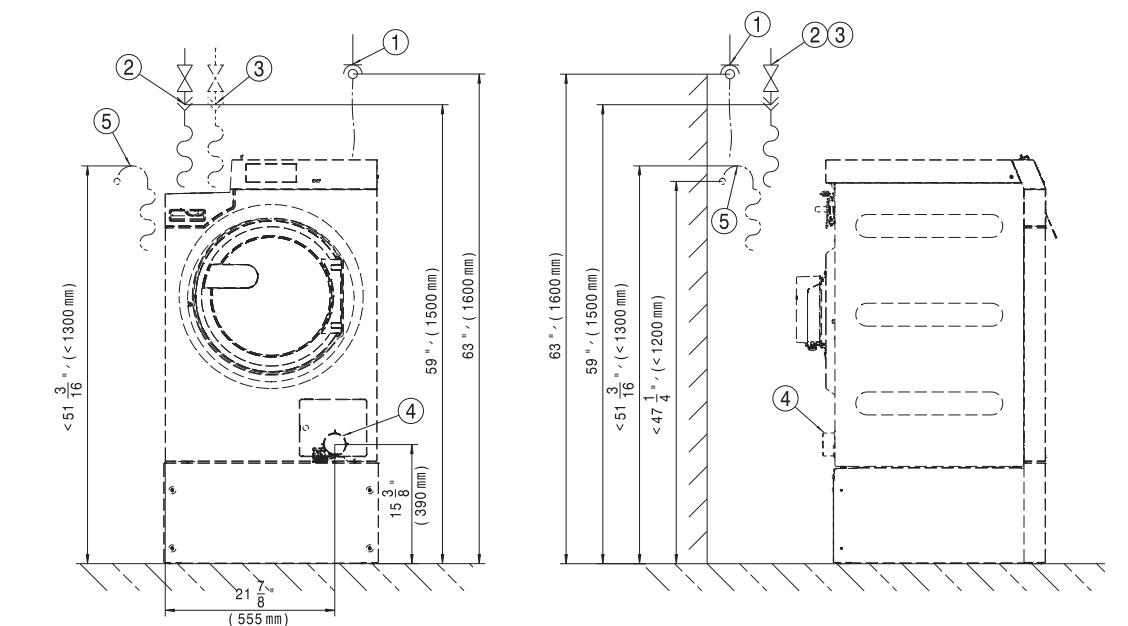
- ① Raccordement électrique
- ② Raccordement à l'eau froide
- ③ Raccordement à l'eau chaude
- ④ Tuyau de vidange (uniquement versions vanne de vidange DV)
- ⑤ Raccordement de vidange (uniquement versions pompe de vidange DP)

## Standard



- ① Raccordement électrique
- ② Raccordement à l'eau froide
- ③ Raccordement à l'eau chaude
- ④ Tuyau de vidange (uniquement versions vanne de vidange DV)
- ⑤ Raccordement de vidange (uniquement versions pompe de vidange DP)
- ⑥ Raccordement d'une pompe doseuse
- ⑦ Raccordement pour boîte de raccordement
- ⑧ Raccordement LAN
- ⑨ Boîte de raccordement (en option)

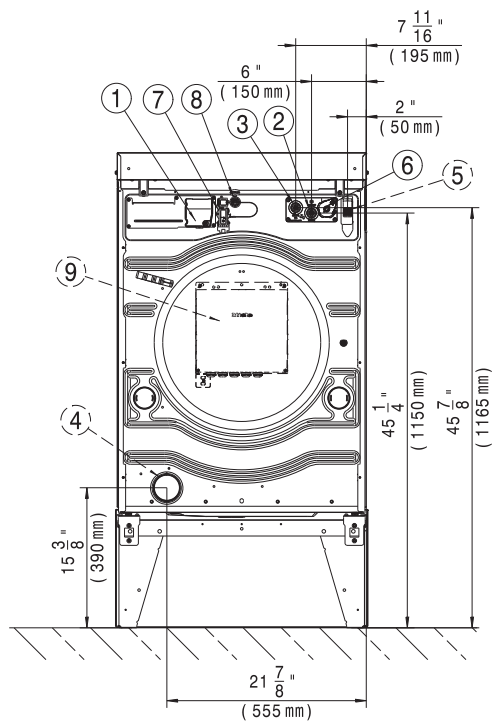
## Socle



- ① Raccordement électrique
- ② Raccordement à l'eau froide
- ③ Raccordement à l'eau chaude
- ④ Tuyau de vidange (uniquement versions vanne de vidange DV)
- ⑤ Raccordement de vidange (uniquement versions pompe de vidange DP)



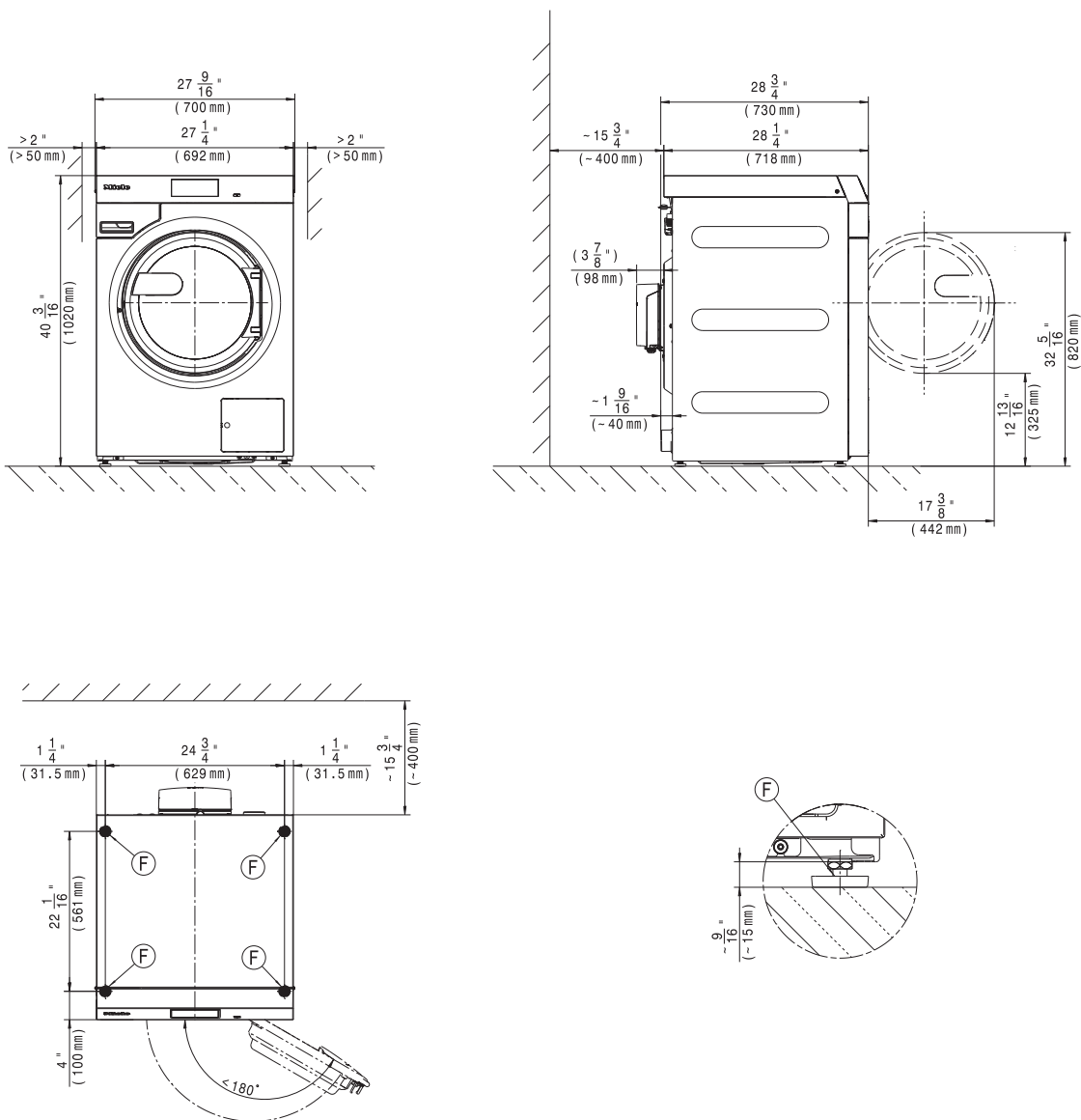
## Socle



- ① Raccordement électrique
- ② Raccordement à l'eau froide
- ③ Raccordement à l'eau chaude
- ④ Tuyau de vidange (uniquement versions vanne de vidange DV)
- ⑤ Raccordement de vidange (uniquement versions pompe de vidange DP)
- ⑥ Raccordement d'une pompe doseuse
- ⑦ Raccordement pour boîte de raccordement
- ⑧ Raccordement LAN
- ⑨ Boîte de raccordement (en option)

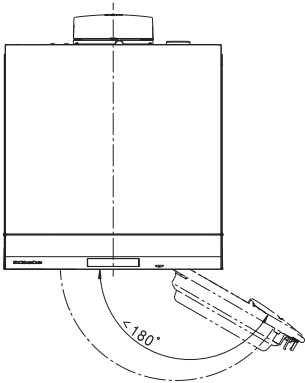
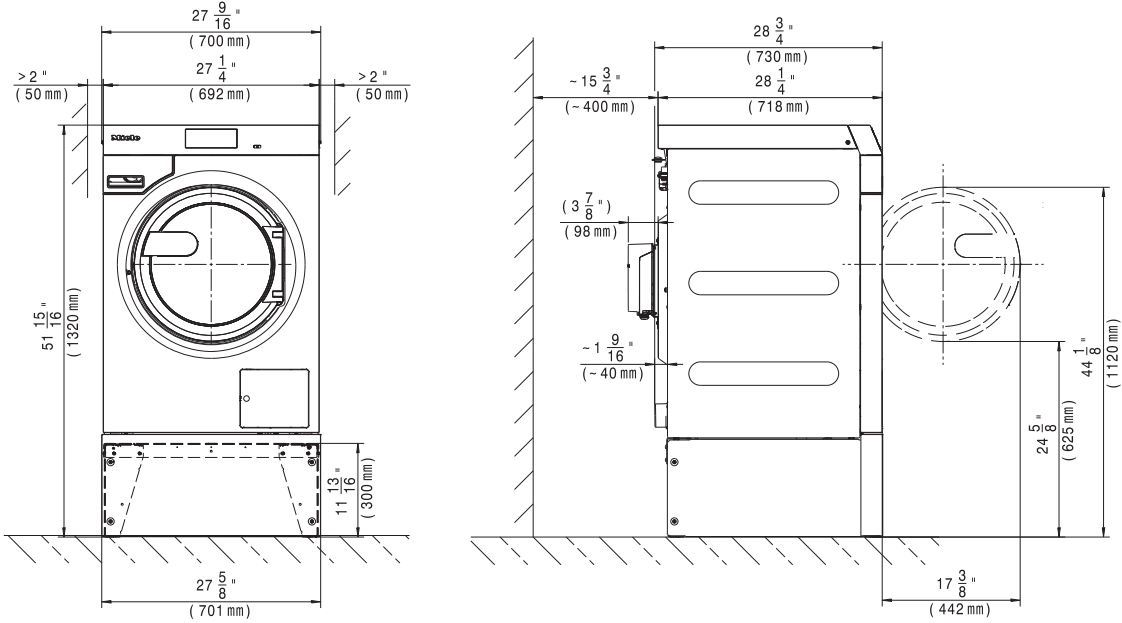
# fr - Installation

## Standard



Ⓕ Pied de l'appareil

Socle

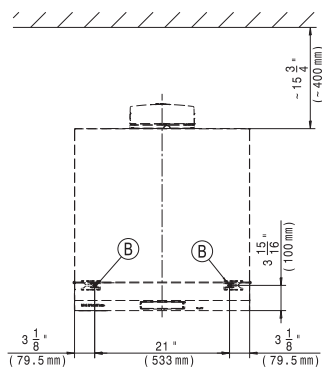
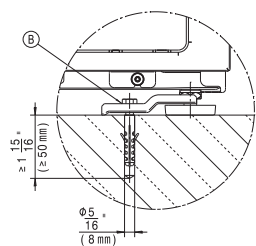


Ⓕ Pied de l'appareil

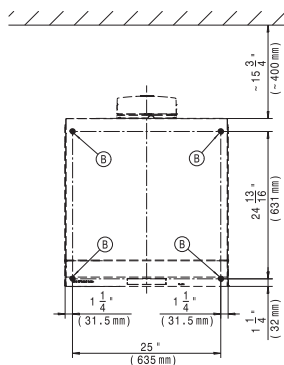
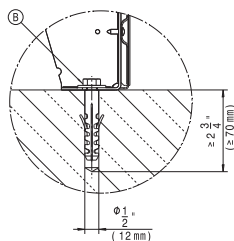
# fr - Installation

## Ancrage au sol

Standard



Socle



Dimensions en mm

Ⓑ Vis / point d'ancrage

### Plages de tension et données électriques

Tension de raccordement	208/240 V 2 Ph 3 Wire
Fréquence	60 Hz
Amp. totaux	22.4 A
Fusible max. (fusible à retardement)	30 A
Ampérage minimum du circuit	22.4 A

# fr - Données techniques

## Raccordement à l'eau

### Raccordement à l'eau froide

Pression d'écoulement requise	14.5-145 psi (100-1000 kPa/1-10 bar)
Débit maximum	10 l/min
Raccord fileté requis (filetage d'arrosage mâle, doit être fourni sur place conformément à la norme DIN 44991, joint plat)	3/4"
Longueur du tuyau d'arrivée d'eau fourni	61" (1.55 m)

### Raccordement à l'eau chaude

Température maximale admissible de l'eau chaude	158 °F (70 °C)
Pression d'écoulement requise	14.5-145 psi (100-1000 kPa/1-10 bar)
Débit maximum	10 l/min
Raccord fileté requis (filetage d'arrosage mâle, conformément à la norme DIN 44991, joint plat)	3/4"
Longueur du tuyau d'arrivée d'eau fourni	61" (1.55 m)

## Vanne de vidange (DV)

Température maximale de l'eau de vidange	203 °F (95 °C)
Raccordement à l'eau usée (sur l'appareil)	Tuyau en plastique HT DN 70
Vidange (sur site)	Raccordement DN 70
Débit de vidange maximal	200 l/min

## Vidange (pompe de vidange)

Température maximale de l'eau de vidange	203 °F (95 °C)
Raccordement à l'eau usée (sur l'appareil)	Diamètre externe 22 (DN 22 / 22 mm / 7/8 po)
Débit de vidange maximal	26 l/min

## Liaison équipotentielle

Raccordement avec un filetage mâle	10×35 mm
Rondelles et écrous	M10

Si les spécifications d'installation locales et nationales nécessitent une liaison équipotentielle, un bon contact galvanique doit être garanti. Les accessoires pour effectuer une liaison équipotentielle ne sont pas fournis et doivent être commandés séparément.

## Dimensions d'installation

Largeur du caisson (sans pièces ajoutées)	27 1/4" (692 mm)
Hauteur du caisson (sans pièces ajoutées)	39 13/16" (1012 mm)
Profondeur du caisson (sans pièces ajoutées)	28 1/4" (718 mm)
Largeur totale de l'appareil	27 9/16" (700 mm)
Hauteur totale de l'appareil	40 3/16" (1020 mm)
Profondeur totale de l'appareil	28 3/4" (730 mm)
Largeur minimale de l'ouverture de transport	31 1/2" (800 mm)
Distance de sécurité minimale entre le mur et l'arrière de l'appareil	15 3/4" (400 mm)
Diamètre de l'ouverture de porte	14 9/16" (370 mm)
Angle d'ouverture de la porte	180°

## Fixation

### Standard

Points d'ancrage requis	2
Vis à bois DIN 571 (diamètre x longueur)	1/2" x 3 1/2" (12 mm x 90 mm)
Cheilles (diamètre x longueur)	5/8" x 3 1/8" (16 mm x 80 mm)

### Avec socle (APWM)

Points d'ancrage requis	4
Vis à bois DIN 571 (diamètre x longueur)	1/2" x 3 1/2" (12 mm x 90 mm)
Cheilles (diamètre x longueur)	5/8" x 3 1/8" (16 mm x 80 mm)

### Socle en béton

Points d'ancrage requis	2
Vis à bois DIN 571 (diamètre x longueur)	1/2" x 3 1/2" (12 mm x 90 mm)
Cheilles (diamètre x longueur)	5/8" x 3 1/8" (16 mm x 80 mm)

## Données de transport, poids et charge au sol

Largeur de l'emballage	29 1/2" (2 x 750 mm)
Hauteur de l'emballage	47 13/16" (1214 mm)
Profondeur de l'emballage	32 3/16" (817 mm)
Volume brut	744 L
Poids brut*	335,1 lb (152 kg)
Poids net*	308,6 lb (140 kg)
Charge maximale au sol en fonctionnement*	2421 N

\* Selon la configuration de l'équipement

## Données d'émissions

Niveau de pression acoustique sur le lieu de travail, lavage	50 dB (A)
Niveau de puissance acoustique, lavage	59,2 dB (A)
Niveau de pression acoustique sur le lieu de travail, essorage	63 dB (A)
Niveau de puissance acoustique, essorage	73,7 dB (A)
Taux de dissipation thermique moyen sur le lieu d'installation	2,3 MJ/h
Niveau de pression acoustique d'émission	65 dB (A) re 20 µPa

Please have the model and serial number of your machine available when contacting Technical Service.

---

Veillez indiquer le modèle et le numéro de série de votre appareil lorsque vous contactez le service à la clientèle.

---

**U.S.A.**  
**Miele, Inc.**

**National Headquarters**

9 Independence Way  
Princeton, NJ 08540  
Phone: 800-991-9380  
[www.mieleusa.com/professional](http://www.mieleusa.com/professional)  
[prosales@mieleusa.com](mailto:prosales@mieleusa.com)

**Technical Service & Support**

Phone: 800-991-9380  
[proservice@mieleusa.com](mailto:proservice@mieleusa.com)

**Canada**  
**Importer | Importateur**  
**Miele Limited | limitée**

**Professional Division**

161 Four Valley Drive  
Vaughan, ON L4K 4V8  
Phone | Tél. : 1-888-325-3957  
[www.mieleprofessional.ca](http://www.mieleprofessional.ca)  
[professional@miele.ca](mailto:professional@miele.ca)

**Miele Professional Technical Service | Service Technique**

Phone | Tél. : 1-888-325-3957  
[serviceprofessional@miele.ca](mailto:serviceprofessional@miele.ca)



Manufacturer | Fabricant : Miele & Cie. KG  
Carl-Miele-Straße 29, 33332 Gütersloh, Germany | Allemagne