

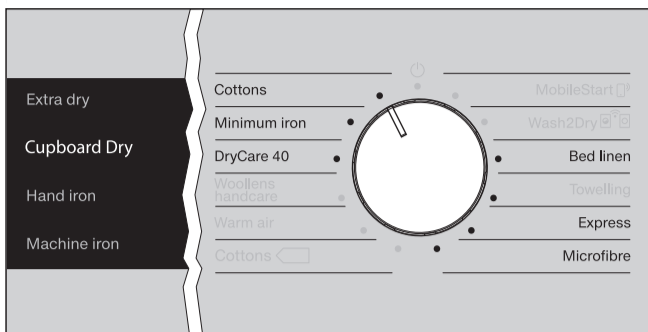
How the control field works



The ①-④ sensor controls react to fingertip contact. If a sensor control is illuminated, it can be selected.

◊ sensor control = delay start period (then use < > to select the duration).

Select the drying level

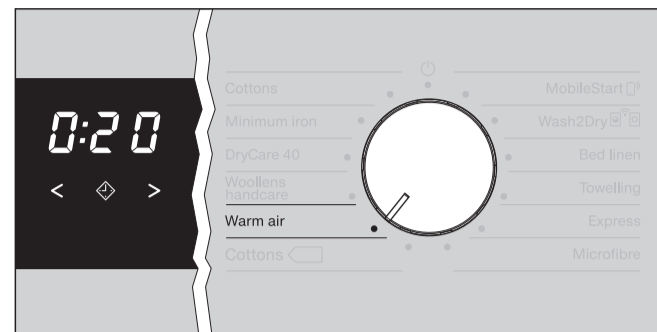


■ Touch the sensor control for the drying level.

– If a sensor control is brightly lit, this means it is currently selected

– If a sensor control is dimly lit, this means it can be selected

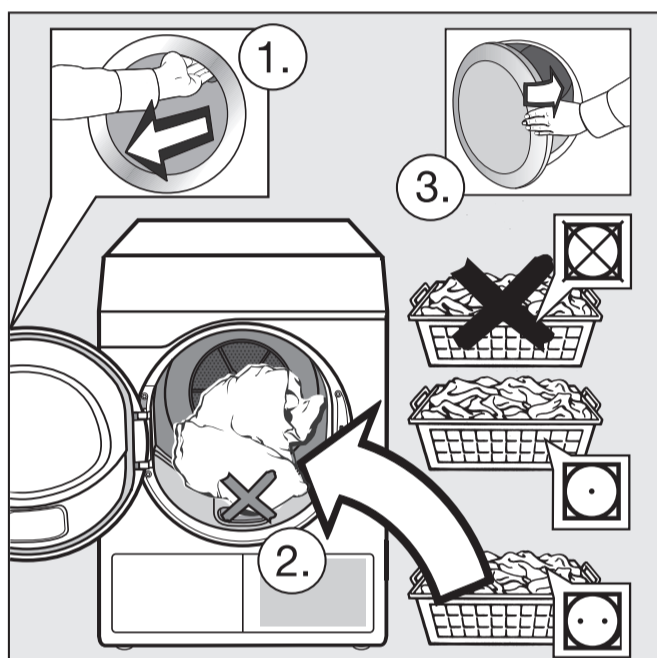
Select the time



■ Touch the < or > sensor control until the required duration lights up.

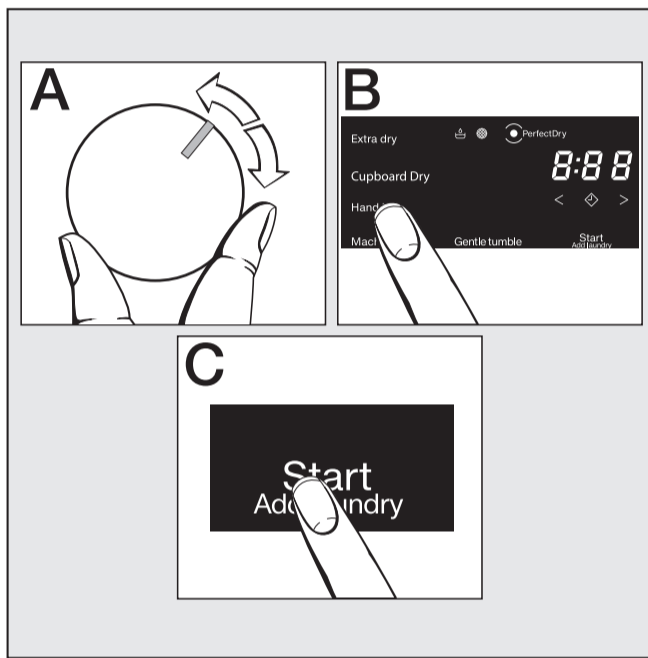
You can select a duration of between 0:20 minutes and 2:00 hours.

1 Sort the laundry and load the drum



- ☒ = do not tumble dry
- ☑ = normal/higher temperature
- ☐ = select *Gentle tumble* or *DryCare 40*
- Load the laundry

2 Select and start the programme



- Select the programme
- Select the drying level or duration
- Touch the *Start/Add laundry* sensor

3 Unload the laundry



End of programme: 0:00 is displayed

- Open the door
- Unload the laundry

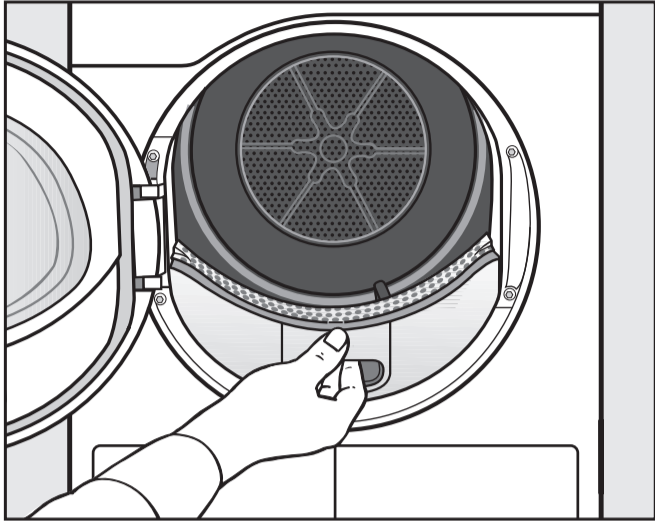
Programmes	kg	Fabrics	+
Cottons Extra dry, CupboardDry, Hand iron, Machine iron	8	Jackets, workwear, overalls, aprons, baby clothes, t-shirts, underwear, cotton blankets, boil-proof table linen	✓
Minimum iron Normal, Hand iron	4	Workwear, overalls, tops, dresses, trousers, table linen, tights	✓
DryCare 40 CupboardDry, Hand iron, Machine iron	4	– All fabrics that are free of wool and are washable at temperatures of 40 °C and above – Trousers, jackets or shirts made of cotton, mixed fibres, synthetics	●
Woollens handcare	2	Pullovers, knitted garments, tights and socks	–
Warm air	8	Jackets, pillows, sleeping bags, items made up of multiple layers, heavy cotton table cloths, individual items of laundry	✓
Cottons ◀	8	Cotton items with normal residual moisture, such as those suitable for <i>Cottons</i>	–
MobileStart 📱	8	After connection: the Miele app is used to select programmes and operate the appliance	–
Wash2Dry 🔄	8	After connection: the programme is selected automatically in conjunction with the programme selection on the connected washing machine	–
Bed linen Extra dry, CupboardDry, Hand iron, Machine iron	4	Bed linen, pillowcases	–
Towelling	8	Full towelling load: hand towels, bath towels, spa towels, bathrobes, face flannels	–
Express Extra dry, CupboardDry, Hand iron, Machine iron	4	Items suitable for the <i>Cottons</i> programme	–
Microfibres Extra dry, CupboardDry	8	Microfibre mops and cleaning cloths	–

(kg) Maximum weight of dry laundry in kg

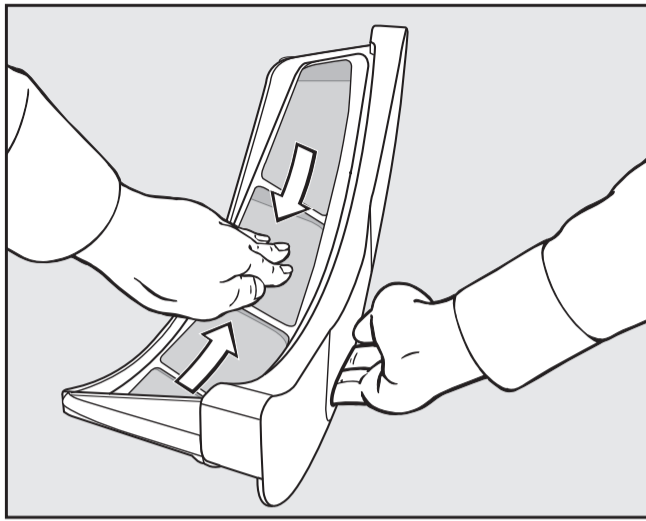
(+) *Gentle tumble*: ✓ Can be selected / ● Always active / – Cannot be selected

Clean after drying and when the  indicator light comes on*

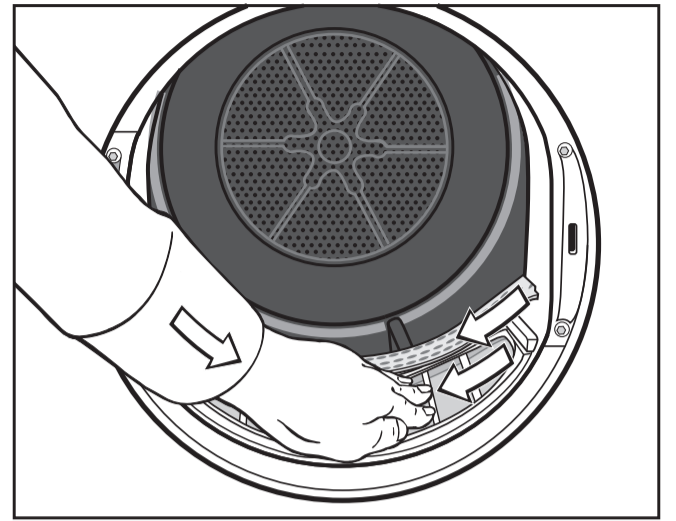
Tip: Have a vacuum cleaner ready



- Remove the fluff filter

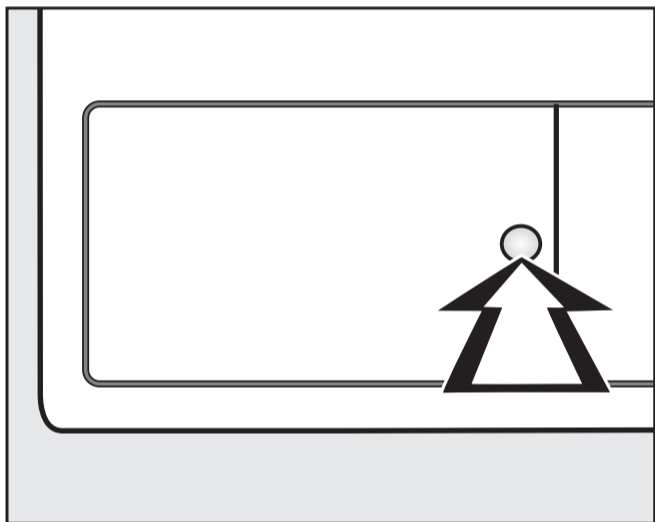


- Remove the fluff with your fingers or with a vacuum cleaner
- For heavy soiling: see the operating instructions

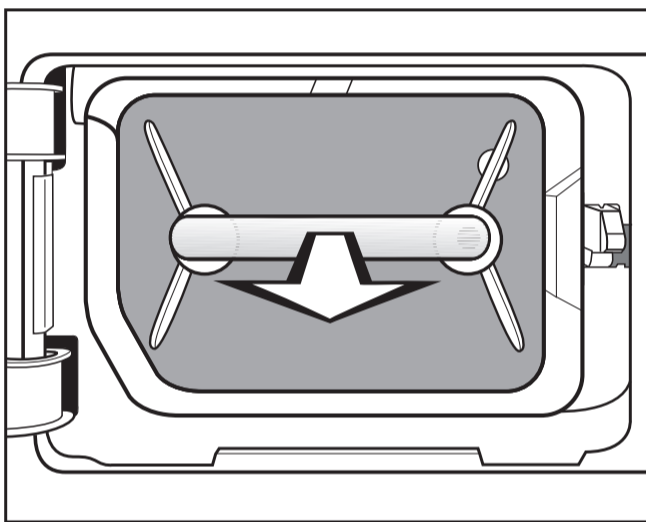


- Remove the fluff with your fingers or with a vacuum cleaner
- For heavy soiling: see the operating instructions

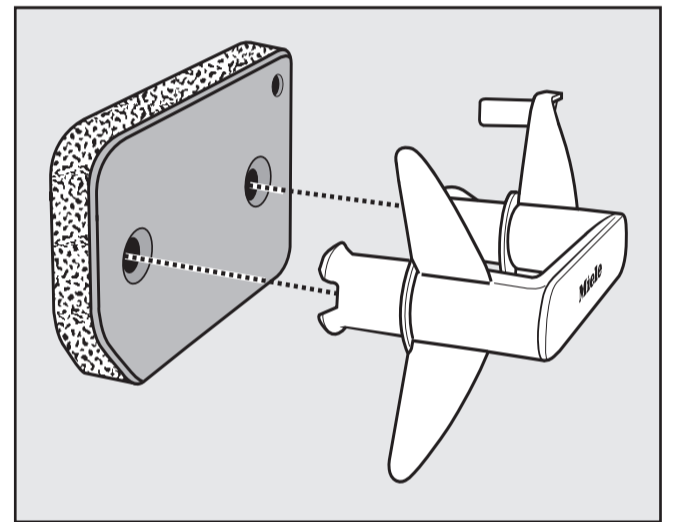
Clean once a day when in continuous use and when the  indicator light comes on*



- Open the access panel



- Pull the plinth filter out by the handle



- Pull the handle out of the plinth filter
- Rinse the plinth filter, squeeze it gently and leave it to dry
- Check the plinth filter at regular intervals for signs of wear
- Connect the handle
- Reinsert the plinth filter

* **Switch off the  indicator light:**

- Open and close the door while the tumble dryer is switched on.

