

Operating and installation instructions Cooker hood



To prevent the risk of accidents or damage to the appliance, it is **essential** to read these instructions before it is installed and used for the first time.

Contents

Warning and Safety instructions	4
Caring for the environment	13
Guide to the appliance	14
Modes of operation	16
Operation	17
Switching the fan on.....	17
Select the power level	17
Run-on time.....	17
Switching the fan off	17
Switching the hob lighting on/off	17
Energy saving tips	18
Cleaning and care	19
Housing	19
Grease filters	20
Replacing the grease filters	21
Charcoal filters	22
Disposing of charcoal filters	22
After sales service and warranty	23
Position of the data plate	23
Installation	24
Before installation.....	24
Installation recommendations	24
Dimensions.....	24
Safety distance between hob and cooker hood (S)	25
Fitting the furniture front.....	26
Depth adjustment.....	26
Wall installation.....	27
Height adjustment	28
Connecting to adjacent furniture units/fitting side panels.....	29
For air extraction mode	30
For recirculation mode.....	30
Electrical connection	30
Electrical connection	31
Connection for air extraction	32

Technical data	33
Special accessories for recirculation mode	33

Warning and Safety instructions

This cooker hood complies with all relevant local and national safety requirements. Inappropriate use can, however, lead to personal injury and material damage.

Read the operating and installation instructions carefully before using the cooker hood. They contain important information on its safety, installation, use and maintenance. This prevents both personal injury and damage to the cooker hood.

In accordance with standard IEC 60335-1, Miele expressly and strongly advises that you read and follow the instructions in the chapter on installing the appliance as well as the safety instructions and warnings.

Miele cannot be held liable for injury or damage caused by non-compliance with these instructions.

Keep these instructions in a safe place and pass them on to any future owner.

Correct application

▶ This cooker hood is intended for use in domestic households and similar working and residential environments.

▶ The cooker hood is not intended for outdoor use.

▶ It must only be used as a domestic appliance to extract vapours and remove odours from cooking.

Any other usage is not supported by the manufacturer and could be dangerous.

▶ Where a recirculation cooker hood is fitted above a gas hob, please ensure that there is an adequate supply of fresh air into the room in which it is installed. Please seek the advice of a qualified gas fitter (e.g. GasSafe in the UK) for more information if necessary.

Warning and Safety instructions

▶ The cooker hood can only be used by people with reduced physical, sensory or mental capabilities, or lack of experience and knowledge, if they are supervised whilst using it, or have been shown how to use it in a safe way and recognise and understand the consequences of incorrect operation.

Safety with children

- ▶ Children under 8 years of age must be kept away from the cooker hood unless they are constantly supervised.
- ▶ Children aged 8 and older may only use the cooker hood without supervision if they have been shown how to use it and are able to do so in a safe manner. Children must be able to understand and recognise the possible dangers caused by incorrect operation.
- ▶ Children must not be allowed to clean or maintain the cooker hood unsupervised.
- ▶ Please supervise children in the vicinity of the cooker hood and do not let them play with it.
- ▶ Danger of suffocation! Whilst playing, children may become entangled in packaging material (such as plastic wrapping) or pull it over their head with the risk of suffocation. Keep packaging material away from children.

Warning and Safety instructions

Technical safety

- ▶ Unauthorised installation, maintenance and repairs can cause considerable danger for the user. Installation, maintenance and repairs must only be carried out by a Miele authorised technician.
- ▶ A damaged appliance can be dangerous. Check it for visible signs of damage. Do not use a damaged appliance.
- ▶ The electrical safety of this appliance can only be guaranteed when correctly earthed. It is essential that this standard safety requirement is met. If in any doubt please have the electrical installation tested by a qualified electrician.
- ▶ Temporary or permanent operation on an autonomous power supply system or a power supply system that is not synchronised with the mains power supply (e.g. island networks, back-up systems) is possible. A prerequisite for operation is that the power supply system complies with the specifications of EN 50160 or an equivalent standard.

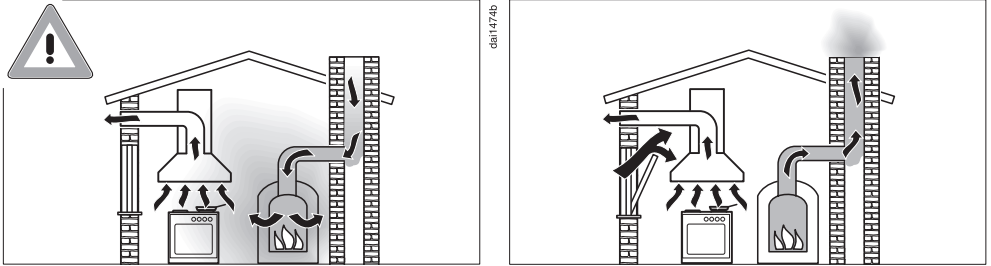
The function and operation of the protective measures provided in the domestic electrical installation and in this Miele product must also be maintained in isolated operation or in operation that is not synchronised with the mains power supply, or these measures must be replaced by equivalent measures in the installation. As described, for example, in the current version of BS OHSAS 18001–2 ISO 45001.
- ▶ The connection data (voltage and frequency) on the data plate of the cooker hood must match the mains electricity supply in order to avoid the risk of damage to the cooker hood
Compare this before connecting the appliance to the mains. Consult a qualified electrician if in any doubt.
- ▶ Do not connect the appliance to the mains electricity supply by a multi-socket unit or an extension lead. These are a fire hazard and do not guarantee the required safety of the appliance.

Warning and Safety instructions

- ▶ For safety reasons, this appliance may only be used after it has been built in.
- ▶ The cooker hood must not be used in a non-stationary location (e.g. on a ship).
- ▶ Touching electrical components and tampering with electrical and mechanical parts is highly dangerous to the user and can cause operational faults.
Only open the housing as described in the instructions given in the installation sheet and in the Cleaning and care section of this booklet. Under no circumstances should any other parts of the housing be opened.
- ▶ The manufacturer's warranty will be invalidated if the appliance is not repaired by a Miele authorised technician.
- ▶ If the electrical connection cable is faulty it must only be replaced by a Miele authorised technician to protect the user from danger.
- ▶ During installation, maintenance and repair work, the appliance must be disconnected from the mains electricity supply.

Warning and Safety instructions

Using at the same time as another heating appliance that depends on the air from the room



Danger of toxic fumes!

Great care should be taken when using the cooker hood in the same room or the same area of the house at the same time as another heating appliance that depends on the air from the room. Such heating appliances draw in air from the room and duct exhaust gases out to the open air through a chimney or extraction ducting. They include gas, oil, wood and coal-fired boilers and heaters, continuous flow or other water heaters, gas hobs and ovens.

The cooker hood draws in air from the kitchen and from neighbouring rooms. This applies to the following modes of operation:

- extraction mode,
- recirculation mode with a recirculation box installed outside the room.

If there is insufficient air, an underpressure will occur. The heating appliance may be starved of oxygen. This impairs combustion. Harmful gases could be drawn from the chimney or extraction ducting back into the room.

Risk of death!

Warning and Safety instructions

In order to ensure safe operation and to prevent gases given off by the heating appliance from being drawn back into the room, when the cooker hood and the heater are both operated simultaneously, an underpressure in the room of 0.04 mbar (4 Pa) is the maximum permissible.

Sufficient ventilation can be maintained by air inlets which cannot be blocked, e.g. in windows, doors and outside wall vents. The cross-section of the inlet openings must enable sufficient ventilation. A ventilation brick alone is not generally sufficient to ensure safe ventilation.

The overall ventilation condition of the dwelling must be taken into account. If in any doubt, the advice of a competent builder, or for gas, a qualified gas fitter should be sought.

If the cooker hood is being operated in recirculation mode, whereby the air is redirected into the room in which it is installed, the above restrictions do not apply.

Warning and Safety instructions

Correct use

▶ Open flames are a fire hazard.

The use of an open flame under the cooker hood is not permitted. To avoid the danger of fire, do not flambé or grill over an open flame.

When switched on, the cooker hood could draw flames into the filter. Fat deposits could ignite, presenting a fire hazard.

▶ The cooker hood can become damaged when exposed to excessive heat.

- When using the cooker hood over a gas hob, ensure that any burners in use are always covered by a pan. Switch the cooking zone off when a pan is removed, even for a short time.
- Select a pan which is suitable for the size of the burner.
- Regulate the flame so that it does not burn up the sides of the pan.
- Avoid overheating the pan (e.g. when cooking with a wok).

▶ Always switch the cooker hood on when a cooking zone is in use, otherwise condensation may collect in the hood, which could cause corrosion.

▶ Overheated oil and fat can ignite, causing fire damage to the cooker hood.

When cooking with oil or fat, chip pans and deep fat fryers, etc, do not leave the pans unattended. Similarly, never leave an open grill unattended when grilling.

Warning and Safety instructions

- ▶ Do not use the cooker hood without the filters in place. This way you will avoid the risk of grease and dirt getting into the appliance and hindering its smooth operation.
- ▶ The cooker hood can get very hot during cooking due to heat rising from the hob.
Do not touch the housing or the grease filters until the cooker hood has cooled down.

Correct installation

- ▶ To determine whether a cooker hood may be operated above your cooking appliance, please refer to the information provided by the appliance's manufacturer.
- ▶ Safety regulations prohibit the fitting of a cooker hood over solid fuel stoves.
- ▶ An insufficient safety distance between the hob and the cooker hood can result in damage to the cooker hood.
The minimum safety distances between the top of the cooker or hob and the bottom of the cooker hood given in the "Installation" section of this booklet must be maintained, unless the hob manufacturer states that a greater safety distance is required.
If more than one cooking appliance is fitted beneath the cooker hood, and they have different minimum safety distances to the cooker hood, select the greater distance.
- ▶ The distances given in "Installation" must be observed when fitting the cooker hood.

Warning and Safety instructions

- ▶ Components can have sharp edges which may cause injury. Wear gloves to protect your hands from being cut.
- ▶ Exhaust ducting must be of non-inflammable material. Suitable material is available from Miele specialist dealers or the Miele Spares Dept.
- ▶ The appliance must not be connected to a chimney or flue which is in use. Neither should it be connected to ducting which ventilates rooms with fireplaces.
- ▶ If exhaust air is to be extracted into a chimney or ventilation duct no longer used for other purposes, seek professional advice.

Cleaning and care

- ▶ There is a risk of fire if the cooker hood is not cleaned as described in these operating instructions.
- ▶ Do not use a steam cleaning appliance to clean this appliance. The steam could reach electrical components and cause a short circuit.

Accessories and spare parts

- ▶ Only use genuine original Miele accessories and spare parts with this appliance. Using accessories or spare parts from other manufacturers will invalidate the warranty and Miele cannot accept liability.
- ▶ Miele can only guarantee the safety of the appliance when genuine original Miele replacement parts are used. Faulty components must only be replaced by Miele spare parts.
- ▶ Miele will guarantee to supply functional spare parts for a minimum of 10 years and up to 15 years following the discontinuation of your vapour extraction unit.

Disposing of the packaging material

The packaging material is used for handling and protects the appliance from transport damage. The packaging material used is selected from materials which are environmentally friendly for disposal and can generally be recycled.

Recycling the packaging material reduces the use of raw materials. Use material-specific collection points for valuable materials and take advantage of return options. Your Miele dealer will take the packaging material away.

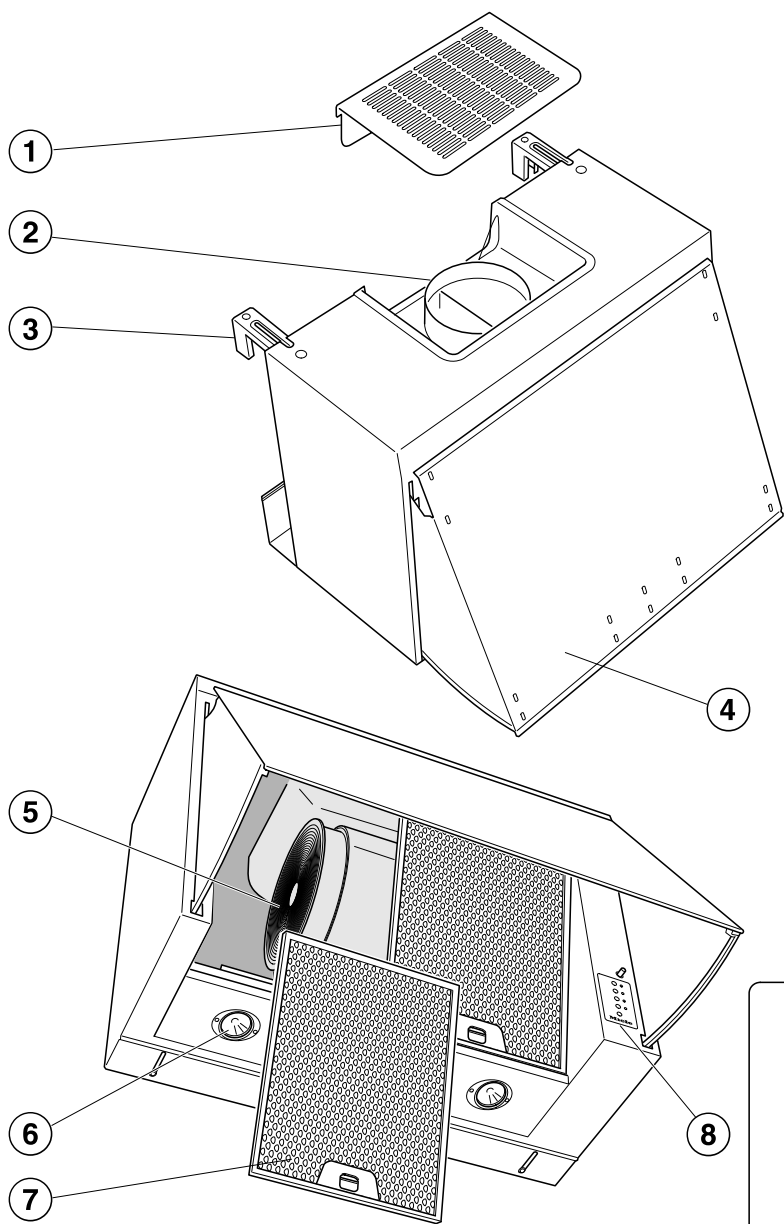
Disposing of your old appliance

Electrical and electronic appliances contain many valuable materials. They also contain certain materials, compounds and components which were essential for their correct functioning and safety. These could be hazardous to human health and to the environment if disposed of with household waste or if handled incorrectly. Please do not, therefore, dispose of your old appliance with household waste.



Instead, please make use of officially designated collection and disposal points to dispose of and recycle electrical and electronic appliances in your local community, with your dealer or with Miele, free of charge. By law, you are solely responsible for deleting any personal data from the old appliance prior to disposal. You are legally obliged to remove any old batteries which are not securely enclosed by the appliance and to remove any lamps without destroying them, where this is possible. These must be taken to a suitable collection point where they can be handed in free of charge. Please ensure that your old appliance poses no risk to children while being stored for disposal.

Guide to the appliance



da13791

- ① Recirculation grille
- ② Exhaust connection
- ③ Adjustable bracket
- ④ Open-out vapour canopy
to which a furniture panel is fitted
- ⑤ Charcoal filter
Accessory required for recirculation mode
- ⑥ Hob lighting
- ⑦ Grease filters
- ⑧ Controls

Modes of operation

Depending on the model of the cooker hood, the following options are available:

Extraction mode



daib0484a

The air is drawn in and cleaned by the grease filters and directed outside.

Non-return flap

A non-return flap fitted in the vent system ensures that when the cooker hood is not in operation the duct is closed and no exchange of room air and outside air can take place.

The flap is closed when the cooker hood is switched off.

When the cooker hood is switched on, the non-return flap opens for the cooking vapours to be blown directly outside.

If the on-site ventilation system does not have a non-return flap, one is supplied with the cooker hood. It must be fitted in the exhaust socket on the motor unit.

Recirculation mode

Recirculation mode cooker hoods require charcoal filters. These are available to purchase: see “Technical Data”.



daib0484b

The air is drawn in and cleaned first by the grease filters and then by the charcoal filters. The cleaned air is then recirculated back into the kitchen.

Switching the fan on

Switch the fan on as soon as you start cooking. This is to ensure that vapours are captured right from the start.

- Open the vapour canopy.

The fan will come on at power level **2**.

Select the power level

For light to heavy cooking vapours and odours, select from power levels **1** to **3**.

For short periods of cooking food with intensive vapours and a strong aroma, e.g. when searing meat, select Booster setting **B**.

- Press the appropriate button for the power level you want.

Reducing power down from the Booster setting

- Press the **B** again to switch the Booster off.

The fan will switch down to the previously selected power level.

If you do not switch the Booster setting off, the fan will automatically revert to the previously selected power level after 5 minutes.

Run-on time

- It is advisable to run the fan for a few minutes after cooking has finished.

This helps to remove any lingering vapours and odours from the air.

It also reduces the risk of residues accumulating in the cooker hood and any resultant odours.

Switching the fan off

- To switch the fan off close the vapour canopy, or press the **0** button for longer.
- To switch the fan back on with the vapour canopy open, press a button between **1** and **3**.

Switching the hob lighting on/off


- You can switch the hob lighting on and off by opening and closing the vapour canopy.

If there is an interruption to the power supply, the fan and the hob lighting will switch off automatically. With the vapour canopy open, the fan will switch back on at power level **2** and the hob lighting will come back on once the power supply is restored.

Energy saving tips

This cooker hood operates very efficiently and economically. The following will help you to save even more energy when using it:

- Ensure that there is sufficient ventilation in the kitchen when cooking. In extraction mode, if there is insufficient air flow the cooker hood cannot operate efficiently and this causes increased operating noise levels.
- Always cook with the lowest possible setting. This produces fewer cooking vapours, so you can use a lower cooker hood power level and therefore benefit from reduced energy consumption.
- Check the power level selected on the cooker hood. A lower power level is generally sufficient for the majority of cooking. Only use the Booster setting when necessary.
- When a large volume of cooking vapours is being produced, switch to a high power level in good time. This is more efficient than operating the cooker hood for longer to try to capture cooking vapours which have already been distributed throughout the kitchen.
- Make sure that you switch the cooker hood off after use.
- Clean or change the filters at regular intervals. Heavily soiled filters reduce performance, increase the risk of fire and are unhygienic.

 Before proceeding with any maintenance or cleaning task, the cooker hood must be disconnected from the power supply (see “Warning and Safety instructions”).

Housing

Removing the canopy

The vapour canopy can be taken off for better accessibility.


- Open the vapour canopy.
- Pull the catch downwards to unlock the vapour canopy and then swing the canopy forwards.
- To refit the canopy fit it back into the guides at the top and then swing the canopy back down.

General information

Unsuitable cleaning agents can damage the surfaces and control elements.

Do not use any cleaning agents containing soda, acid, chloride or solvent.

Do not use any abrasive cleaning agents, e.g. powder cleaners or cream cleaners and abrasive sponges, as well as pot scourers or sponges which have been used previously with abrasive cleaning agents.

 Moisture in the cooker hood can cause damage.

Make sure that water does not get into the cooker hood.

- All external surfaces and control elements can be cleaned using hot water with a small amount of washing-up liquid applied with a well wrung-out soft sponge or cloth.
- After cleaning, wipe the surfaces dry using a soft cloth.

Cleaning and care

Important information for the control elements


If soiling is not removed promptly, it could cause the control elements to alter or discolour.

Remove any soiling immediately.

The surface of the control elements can become damaged if they are cleaned using stainless steel cleaning agents.

Do not use stainless steel cleaning agents on the control elements.

Grease filters

 Fire hazard

Oversaturated grease filters are a fire hazard.

Clean the grease filters at regular intervals.

The re-usable metal grease filters in the appliance remove solid particles (grease, dust, etc.) from the kitchen vapours, preventing soiling of the cooker hood.


The grease filters must be cleaned at regular intervals.

Heavily soiled grease filters hinder air extraction and will lead to increased levels of soiling in the cooker hood and in the kitchen.

Cleaning interval

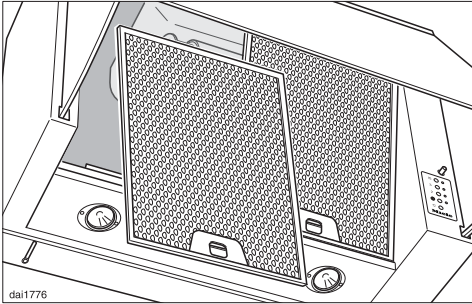
Accumulated grease solidifies over a longer period of time and makes cleaning more difficult. The grease filters should therefore be cleaned every 3 to 4 weeks.

Removing a grease filter

 When handling a grease filter, be careful not to drop it.

This can result in damage to the filter and the hob below.

Make sure you hold the filter securely at all times when handling it.



- Open the retainer catch for the grease filter and lower the filter to remove it.

Cleaning the grease filters by hand

- Clean the filters with a soft nylon brush in a mild solution of hot water and a small amount of washing-up liquid. Do not use “neat” washing up liquid.

Unsuitable cleaning agents

Unsuitable cleaning agents can cause damage to the surface of the filters if used regularly.

Do not use:

- cleaning agents containing descaling agents
- powder cleaners, cream cleaners
- aggressive multi-purpose cleaning agents or spray cleaners for grease
- oven sprays

Cleaning the grease filters in the dishwasher

- Place the grease filters upright or slightly inclined in the lower basket. Ensure the spray arm is not obstructed.

- Use a commercially available household dishwasher detergent.
- Select a dishwasher programme with a wash temperature between 50 °C and 65 °C.

Depending on the detergent used, cleaning the filters in a dishwasher may cause the inside filter surfaces to become discoloured. This will not affect the functioning of the grease filters in any way.

After cleaning

- After cleaning, leave the filters to dry on an absorbent surface before replacing them.
- When removing the filters for cleaning, also clean off any residues of oil or fat from the now accessible housing to prevent the risk of these catching fire.
- Replace the grease filters.

Replacing the grease filters

Regular usage and cleaning can cause the filter surfaces to become worn.

If you identify any damage, replace the grease filters.

Grease filters are available to order via the Miele Customer Service Department (see end of these operating instructions for contact details) or from your Miele dealer.

Cleaning and care

Charcoal filters

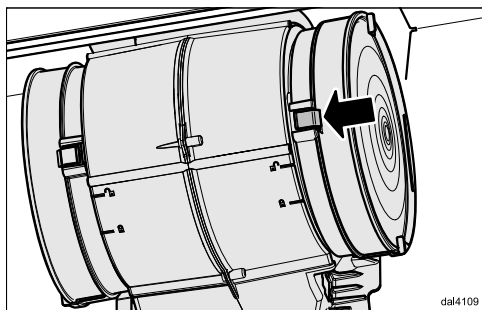
With recirculation mode, two charcoal filters must be fitted in addition to the grease filters. These are designed to absorb cooking odours.

They are fitted either side of the fan.

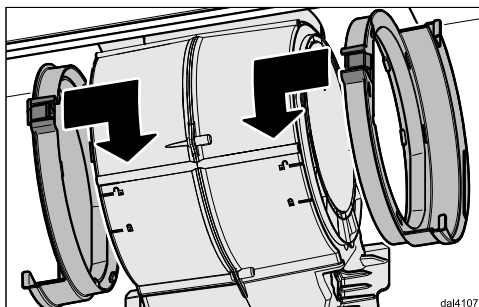
Charcoal filters are available to order via the Miele Webshop, the Miele Spare Parts Department (see end of this booklet for contact details) or from your Miele dealer. The type of charcoal filter required is listed under “Technical data” at the back of this booklet.

Fitting/replacing charcoal filters

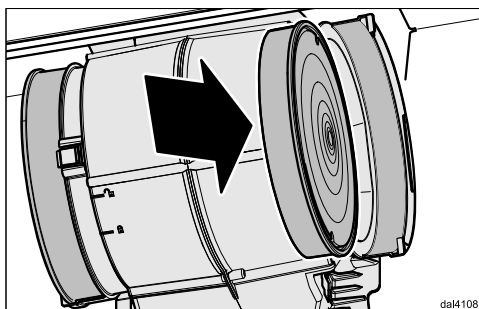
- Before fitting or replacing a charcoal filter, the vapour canopy must be opened out and the grease filters must be taken out (see previous section for instructions on how to do this).



- To replace a charcoal filter push the lever back a little and then take the filter out.



- Fitting for the first time: fit an adapter onto each side of the fan and turn to secure position in their holders.



- Push the charcoal filters into the adapters until they engage.
- Replace the grease filters.

When to change the charcoal filters

Replace the charcoal filters when they no longer absorb kitchen odours effectively, and at least every 6 months.

Disposing of charcoal filters

- Used charcoal filters can be disposed of with normal household waste.

In the event of a fault which you cannot remedy yourself, please contact your Miele dealer or the Miele Service Department.

Contact details for Miele are given at the end of this booklet. N.B. A call-out fee will be charged for service visits where the problem could have been resolved as described in these instructions.

When contacting your dealer or Miele, please quote the model and serial number of your appliance. These are shown on the data plate.

Position of the data plate

The data plate is visible after removing the grease filter.

Warranty: U.K.

In the U.K., the appliance warranty is valid for 2 years from the date of purchase. However, you must activate your cover by calling 0330 160 6640 or registering online at www.miele.co.uk.


Please note that telephone calls may be monitored and recorded for training purposes.

Warranty: Other countries

For information on the appliance warranty specific to your country please contact Miele. See end of this booklet for contact details.

Installation

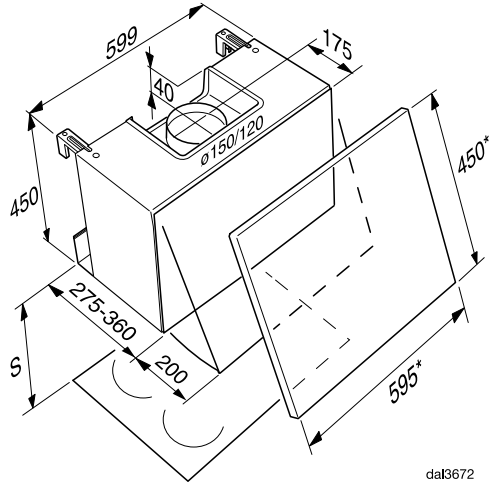
Before installation

 Before installation, it is important to read the information given on the following pages as well as the “Warning and Safety instructions” at the beginning of this booklet.

Installation recommendations

- To achieve optimum vapour extraction, the cooker hood must be positioned centrally over the hob, not to the side.
- The hob should be no wider than the cooker hood, and if possible, it should be narrower.
- The installation area must be easily accessible. The cooker hood should be easily accessible and easy to dismantle in the event that service is required. This should be taken into consideration when planning the position of cupboards, shelves, ceilings or features in the vicinity of the cooker hood.

Dimensions



dal3672

* Furniture front dimensions

Connection for air extraction \varnothing 150 mm, or \varnothing 120 mm with reducing collar.

Safety distance between hob and cooker hood (S)

When planning the installation height of your cooker hood, the minimum safety distance between the top of a cooker or hob and the bottom of the cooker hood is as follows, unless a greater distance is specified by the manufacturer of your cooking appliance.

See “Warning and Safety” instructions for further information.

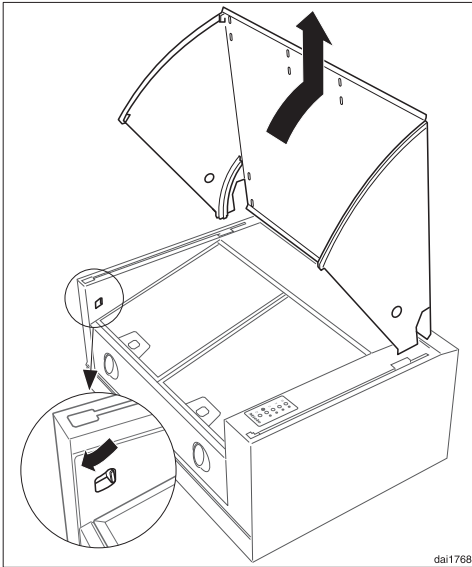
Cooking appliance	Minimum distance S
Electric hob	650 mm
Electric grill, deep fat fryer (electric)	650 mm
Multi-burner gas hob, total output ≤ 12.6 kW, no burner > 4.5 kW	650 mm
Multi-burner gas hob, total output > 12.6 kW and ≤ 21.6 kW, no burner > 4.8 kW.	760 mm
Multi-burner gas hob, total output > 21.6 kW, or multi-burner gas hob where one burner > 4.8 kW.	Not possible
Single burner gas hob, output ≤ 6 kW.	650 mm
Single burner gas hob, output > 6 kW and ≤ 8.1 kW.	760 mm
Single burner gas hob, output > 8.1 kW	Not possible

If you are fitting a front panel made of wood or laminate to the cooker hood, observe the safety distances given by the hob manufacturer regarding the use of easily flammable materials.

Installation

Fitting the furniture front

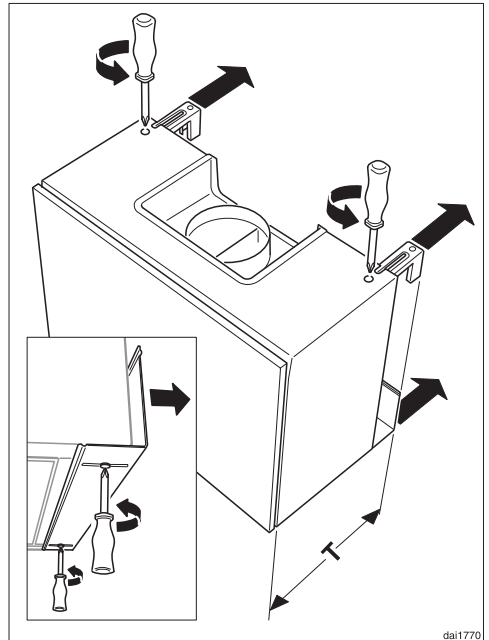
There are several holes on the appliance's vapour plate for securing the front panel. A drilling template is supplied for correct positioning.



- Open the vapour canopy.
- Pull the catch forwards for releasing the canopy and then swing the canopy upwards.
- Cut the drilling template for the front panel to size and place it on the reverse of the panel. Drill the appropriate holes.
- Then screw the furniture panel to the vapour canopy with suitable screws.

Depth adjustment

There are two adjustable brackets at the top of the unit and an adjustable trim at the bottom of the unit for setting the unit depth **T** between 275 mm and 360 mm.

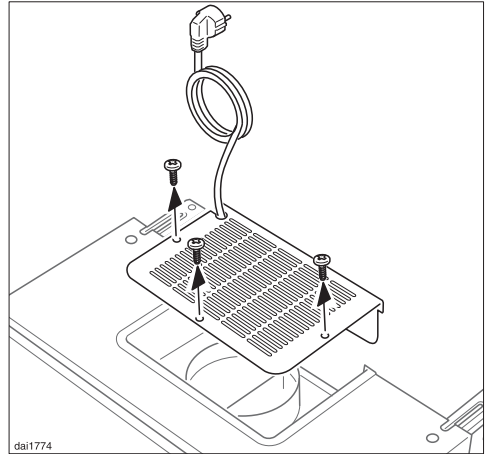


- Loosen the screws in the adjustable brackets.
- Extend the brackets to dimension **T**.
- Tighten the screws up.
- Loosen the screws in the adjustable trim.
- Adjust the trim to the required depth.
- Tighten the screws up.
- If the adjustable trim is too short, unscrew it, turn it around and refit it to use the longer side.

Wall installation

The cooker hood is fitted to the wall inbetween two wall units. Screws and plugs are supplied for this.

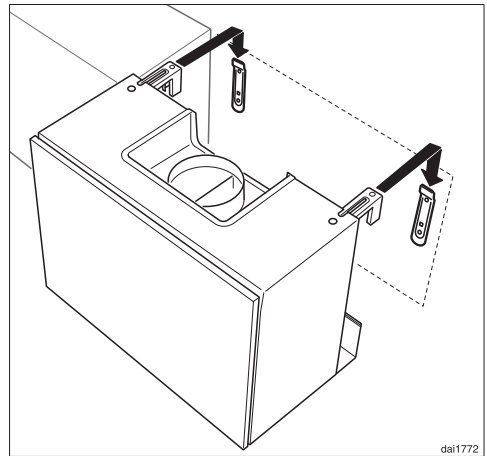
- Cut the drilling template to size and position against the wall. The top edge of the template indicates the top edge of the cooker hood. Please observe the safety distance (S) to the hob (see “Appliance dimensions”).
- Mark and drill four holes for the fixing brackets (Ø 8 mm).
- Remove the drilling template.
- Secure the fixing brackets to the wall using the plugs and screws supplied.



- Remove the recirculation grille for extraction mode.

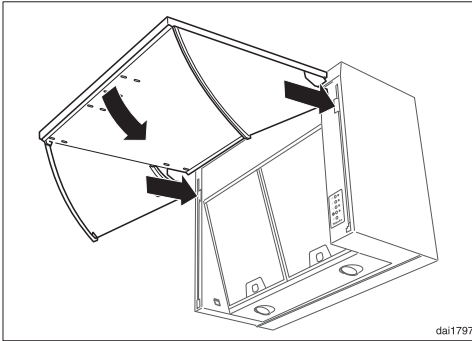
⚠ The screws and plugs are designed for use in solid walls only. For other types of wall construction, alternative fixings will be required. Make sure the wall is able to take the weight of the cooker hood.

- Attach the corresponding drilling template to the adjacent cabinet or the side panel.
- Drill two holes into the adjacent cabinet or the side panel (Ø 2 mm).



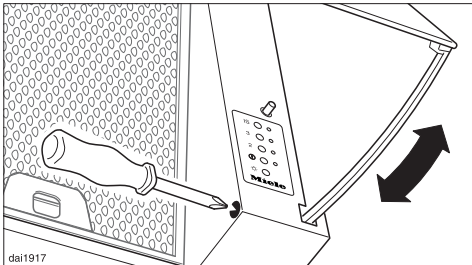
- Hang the cooker hood into position using the adjustable brackets.

Installation



- Attach the vapour canopy with cabinet door fitted and then close it.

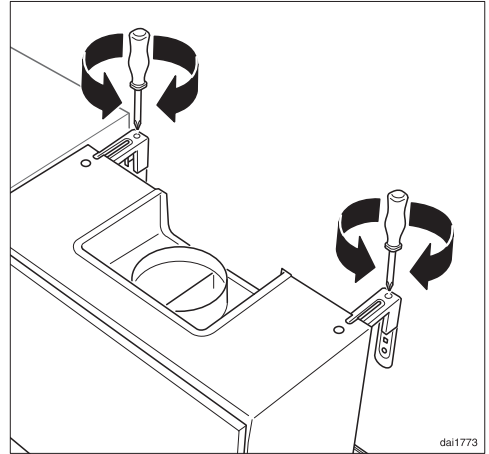
It is possible to adjust the movement of the vapour canopy. This may be required if a heavy cabinet door is to be fitted, for example.



- Remove the two cover caps which conceal the adjusting screws at the front right and left on the lower edge of the appliance.
- Adjust the screws evenly on both sides using a cross-slotted screwdriver. Turn clockwise to tighten the mechanism and anti-clockwise to loosen the mechanism.
- Refit the caps.

Height adjustment

Adjusting screws in the brackets located at the top of the appliance are used for aligning the appliance with adjoining furniture units.

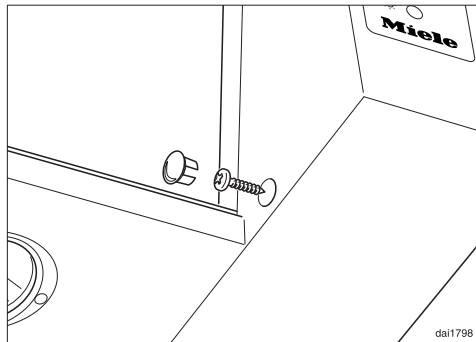


- Turning the screws anti-clockwise raises the appliance and clockwise lower it.
- You may also have to adjust the depth again.

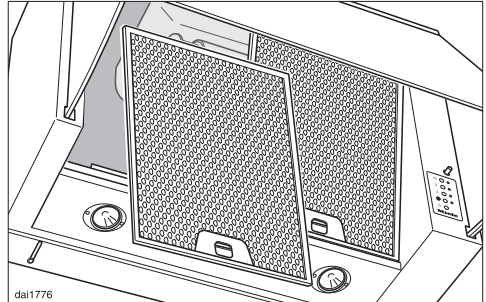
Connecting to adjacent furniture units/fitting side panels

The cooker hood is supplied with two screws on each side for securing it to adjacent furniture units or for fitting side panels.

- Remove the vapour canopy.
- Remove the grease filters.
- Turn the top screws in the adjacent furniture units or side panels.



- Remove the cover caps from the lower screws.
- Screw in the lower screws.
- Refit the caps.
- Refit the vapour canopy.

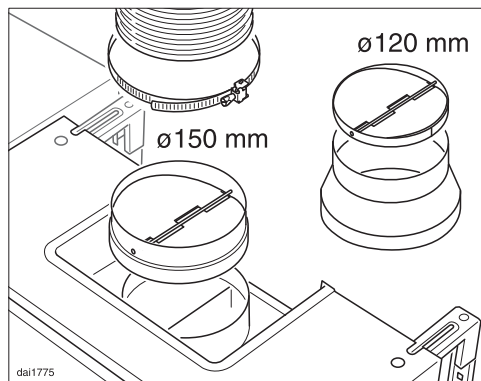


- Replace the grease filters.

Installation

For air extraction mode

If your ducting system does not have a non-return flap, two are supplied with the cooker hood. One for \varnothing 150 mm and one for \varnothing 120 mm ducting.



- For \varnothing 150 mm ducting fit the non-return flap into the ducting connection.
For \varnothing 120 mm ducting fit the reducing collar supplied onto the ducting connection and then fit the appropriate non-return flap onto the reducing collar.
- Attach the exhaust ducting, e.g. flexible hose, to the exhaust socket using a hose clip (available as an optional accessory).
- See “Connection for air extraction” for further instructions on fitting the ducting.

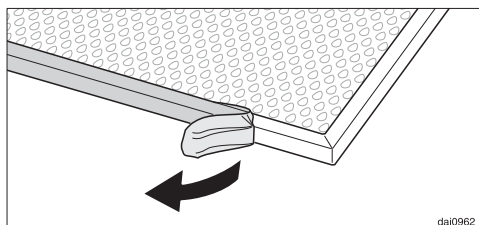
For recirculation mode

- Fit the charcoal filters (see “Cleaning and care”).

Electrical connection

Refer to the notes in “Electrical connection” and “Warning and Safety instructions” before connecting to the electricity supply.

- Connect the cooker hood to the electricity supply.



- Take the grease filters out and pull the protective foil off the filter frame. Then replace the grease filter.

All electrical work should be undertaken by a suitably qualified and competent person in strict accordance with current national and local safety regulations (BS 7671 in the UK).

Installation, repairs and other work by unqualified persons could be dangerous, for which the manufacturer cannot be held liable. Ensure power is not supplied to the appliance until after installation or repair work has been carried out. Do not connect the appliance to the mains electricity supply by an extension lead. These do not guarantee the required safety of the appliance.

The connection data is given on the data plate. This is visible when the grease filters have been removed. Ensure that this data matches the household mains supply.

Connection of this appliance should be made via a suitable isolator or a double pole fused spur connection unit which complies with national and local safety regulations and the On-Off switch should be easily accessible after the appliance has been built in. When switched off there must be an all-pole contact gap of 3 mm in the switch (including switch, fuses and relays according to EN 60335).

If the switch is not accessible after installation (depending on country), an additional means of disconnection must be provided for all poles.

For extra safety it is advisable to protect the appliance with a suitable residual current device (RCD). Contact a qualified electrician for advice.

Important

This appliance is supplied for connection to an a.c. 230 V single phase 50 Hz supply. The wires in the mains lead are coloured in accordance with the following code:

Green/yellow earth

Blue neutral

Brown live

 **WARNING:**
THIS APPLIANCE MUST BE
EARTHED

Connection for air extraction

⚠ If the cooker hood is used at the same time as a heating appliance that relies on oxygen from the same room, there is a risk in certain circumstances of toxic fumes building up.

It is essential that the “Warning and Safety” instructions are observed.

The cooker hood should be installed according to local and national building regulations. Seek approval from the building inspector where necessary.

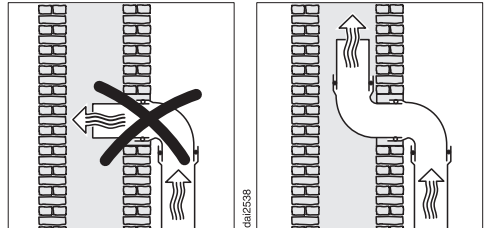
For ducting, use smooth pipes or flexible ducting made from approved non-flammable materials.

To achieve the most efficient air flow rate with the lowest noise levels, please note the following:

- The diameter of the exhaust ducting should not be less than 150 mm.
- If flat ducting is being used, the cross section must not be smaller than the cross sectional area of the exhaust connection.
- The ducting should be as short and straight as possible.
- Only use wide radius bends.
- The ducting must not be kinked or compressed.
- Ensure that all connections are strong and airtight.
- If the ducting has flaps, these must be opened when the cooker hood is switched on.

Remember that any constriction of the air flow will reduce the air flow rate and increase operating noise.

- If the exhaust is ducted through an outside wall, a telescopic wall vent or a roof vent (available as an optional accessory) is recommended.



- If the exhaust air is to be ducted into a flue, the ducting must be directed in the flow direction of the flue.
- If the flue is used by several ventilation units, the cross-section of the flue must be large enough.
- Where ducting is horizontal, it must be laid to slope away at a gradient of at least 1 cm per metre. This is to ensure that condensate cannot drain back into the cooker hood.
- If the ducting is to run through cool rooms, ceiling space, etc., there may be significant variations in temperature between the different areas. The problem of condensation will need to be addressed. The ducting will need to be suitably insulated.

Miele shall not accept warranty claims for any functional defects or damage caused by inadequate ducting.

Technical data

Fan motor	250 W
Hob lighting	2 x 1.1 W
Total connected load	252.2 W
Voltage, frequency	AC 230 V, 50 Hz
Fuse rating	5 A
Mains connection cable length	1.2 m
Weight	11.8 kg

Special accessories for recirculation mode

Charcoal filter set DKF 14-1. The set contains two active charcoal filters.

Technical data

Data sheet for household cooker hoods

In acc. with delegated regulation (EU) No. 65/2014 and regulation (EU) No. 66/2014

MIELE	
Model name/identifier	DA 1867
Annual Energy Consumption (AEC _{hood})	101,3 kWh/year
Energy efficiency class	C
Energy efficiency index (EEI _{hood})	76,7
Fluid Dynamic Efficiency (FDE _{hood})	18,3
Fluid Dynamic Efficiency class	
A (most efficient) to G (least efficient)	C
Lighting Efficiency (LE _{hood})	95,4 lx/W
Lighting Efficiency class	
A (most efficient) to G (least efficient)	A
Grease Filtering Efficiency	85,1 %
Grease Filtering Efficiency class	
A (most efficient) to G (least efficient)	B
Airflow at best efficiency point	398,0 m ³ /h
Air flow (min. speed)	320 m ³ /h
Air flow (max. speed)	610 m ³ /h
Air flow (intensive or boost setting)	690 m ³ /h
Max. air flow (Q _{max})	690 m ³ /h
Air pressure at best efficiency point	347 Pa
Airborne acoustical A-weighted sound power emissions (min. speed)	52 dB
Airborne acoustical A-weighted sound power emissions (max. speed)	67 dB
Airborne acoustical A-weighted sound power emissions (intensive or boost setting)	69 dB
Electrical power input at best efficiency point	210,0 W
Power consumption in off mode (P _o)	W
Power consumption in standby mode (P _s)	0,49 W
Nominal power of lighting system	2,2 W
Average illumination of the lighting system on the cooking surface	210 lx
Time increase factor	1,3

United Kingdom

Miele Co. Ltd., Fairacres, Marcham Road, Abingdon, Oxon, OX14 1TW

Tel: 0330 160 6600, Internet: www.miele.co.uk/service, E-mail: info@miele.co.uk

Australia

Miele Australia Pty. Ltd.

ACN 005 635 398

ABN 96 005 635 398

Level 4, 141 Camberwell Road

Hawthorn East, VIC 3123

Tel: 1300 464 353

Internet: www.miele.com.au

China Mainland

Miele Electrical Appliances Co., Ltd.

1-3 Floor, No. 82 Shi Men Yi Road
Jing' an District

200040 Shanghai, PRC

Tel: +86 21 6157 3500

Fax: +86 21 6157 3511

E-mail: info@miele.cn,

Internet: www.miele.cn

Hong Kong, China

Miele (Hong Kong) Ltd.

41/F - 4101, Manhattan Place

23 Wang Tai Road

Kowloon Bay, Hong Kong

Tel: (852) 2610 1025

Fax: (852) 3579 1404

Email:

customerservices@miele.com.hk

Website: www.miele.hk

India

Miele India Pvt. Ltd.

1st Floor, Copia Corporate Suites,
Commercial Plot 9,

Mathura Road, Jasola,

New Delhi - 110025

E-mail: customercare@miele.in

Website: www.miele.in

Ireland

Miele Ireland Ltd.

2024 Bianconi Avenue

Citywest Business Campus

Dublin 24

Tel: (01) 461 07 10

Fax: (01) 461 07 97

E-Mail: info@miele.ie

Internet: www.miele.ie

Malaysia

Miele Sdn Bhd

Suite 12-2, Level 12

Menara Sapura Kencana

Petroleum

Solaris Dutamas No. 1

Jalan Dutamas 1

50480 Kuala Lumpur, Malaysia

Phone: +603-6209-0288

Fax: +603-6205-3768

New Zealand

Miele New Zealand Limited

IRD 98 463 631

8 College Hill

Freemans Bay, Auckland 1011

New Zealand

Tel: 0800 464 353

Internet: www.miele.co.nz

Singapore

Miele Pte. Ltd.

29 Media Circle

#11-04 ALICE@Mediapolis

Singapore 138565

sTel: +65 6735 1191

Fax: +65 6735 1161

E-Mail: info@miele.com.sg

Internet: www.miele.sg

South Africa

Miele (Pty) Ltd.

63 Peter Place

Bryanston 2194

P.O. Box 69434

Bryanston 2021

Tel: (011) 875 9000

Fax: (011) 875 9035

E-mail: info@miele.co.za

Internet: www.miele.co.za

Thailand

Miele Appliances Ltd.

BHIRAJ TOWER at EmQuartier

43rd Floor Unit 4301-4303

689 Sukhumvit Road

North Klongton Sub-District

Vadhana District

Bangkok 10110, Thailand

United Arab Emirates

Miele Appliances Ltd.

Showroom 1

Eiffel 1 Building

Sheikh Zayed Road, Umm Al Sheif

P.O. Box 114782 - Dubai

Tel. +971 4 3044 999

Fax. +971 4 3418 852

800-MIELE (64353)

E-Mail: info@miele.ae

Website: www.miele.ae

Manufacturer: Miele & Cie. KG, Carl-Miele-Straße 29, 33332 Gütersloh, Germany

DA 1867

en-GB

M.-Nr. 12 103 040 / 00