

## THE BENCHMARK MACHINES

**OPL** ON-PREMISE LAUNDRY



No Heater



**7** Years  
Warranty



## PWM 514 | 30 lbs. PERFORMANCE

### Features

- M Touch Pro color display
- Short program cycles
- Patented Honeycomb Drum 2.0
- 3D imbalance monitoring
- G-force of 364
- High durability: tested for 30,000 operating hours
- Simple and safe operation with automatic door lock
- Low consumption values

#### Exclusive to Miele



### Patented Honeycomb Drum 2.0

The scoop rib perforations in the Honeycomb Drum 2.0 cause water to shower down on the load, guaranteeing thorough soaking.



### Short Program Cycles

Premium commercial technology allows you to benefit from quick and efficient program cycles.



### EcoSpeed Patented Wash Process

The EcoSpeed washing process features an optimized drum rhythm and enhanced washing action, allowing intensive cleaning performance with reduced water usage.



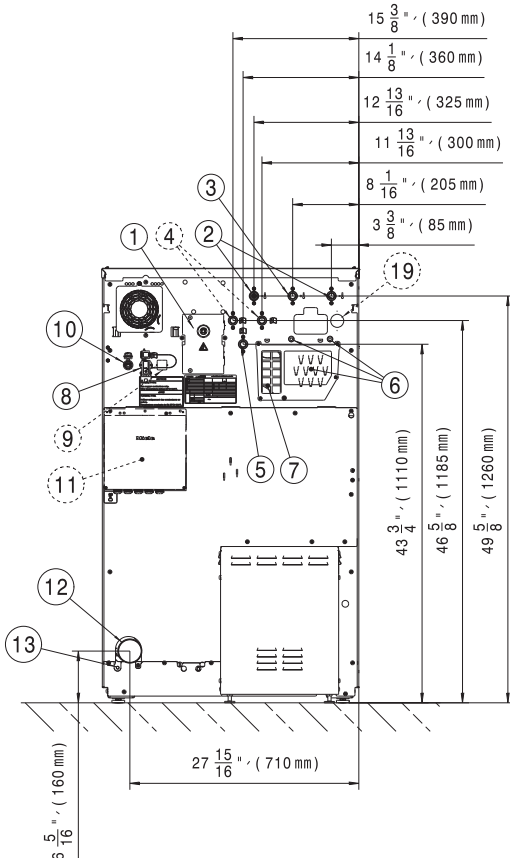
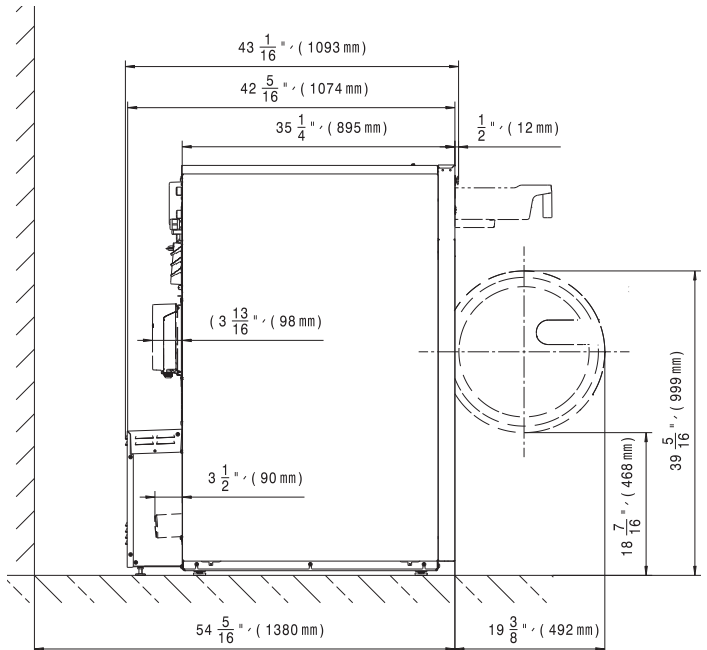
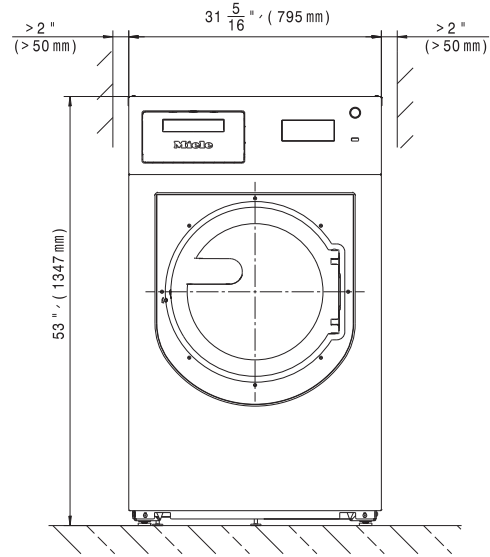
### Automatic Door Lock

Easy to open and close. A light touch and the door locks on its own at the beginning of the program. The door opens automatically at the end of the program.

Model	Heat Type	Electrical Specification Voltage/Hz/Phase (Amp)	Color	Material No.	Article No.
PWM 514	No Heater	240/60/1 (2 x 20 A)	Iron Grey	11803100	51514012NAM

## Specifications

Capacity	30 lbs. (13.5 kg)
Cylinder Diameter	16 <sup>5/16</sup> in. (415 mm)
Cylinder Depth	18 <sup>1/8</sup> in. (461 mm)
Cylinder Volume	4.6 cu.ft. (130 l)
Machine Dimensions (WxDxH)	31 <sup>1/2</sup> x 43 <sup>1/16</sup> x 53 <sup>3/16</sup> in. (799 x 1,093 x 1,350 mm)
Door Opening	15 <sup>5/16</sup> in. (415 mm)
Floor to Door	18 <sup>7/16</sup> in. (468 mm)
Reversible Door	No
Shipping Dimensions (WxDxH)	43 x 44 <sup>1/2</sup> x 58 <sup>1/4</sup> in. (1,090 x 1,130 x 1,480 mm)
Net Weight	637 lbs. (289 kg)
Crated Weight	688 lbs. (312 kg)
Wash Speed	43 rpm
Extract Speed	1,025 rpm
G-force	364
Water Inlets	7 x 3/4 in. (178 x 19 mm)
Hot Water (No Heater version)	1 x 1 in. (26 x 26 mm)
Drain Diameter	DN 70 / 75 mm / 2 <sup>15/16</sup> in.
Recommended Water Pressure	14.5 -145 psi
Water Flow	52.8 gal/min. (200 l/min.)
Min. Recommended Distance Between Machines	2 in. (50 mm)
Agency Approvals	Intertek



Heating	Voltage (Voltage/Hz/Phase)	Wire	Circuit Breaker Amps	Running Amps	Total Power (kW)
No Heater	240/60/1	2 Wire + Ground	20	16	2.3

Specifications subject to change without notice or obligation.  
Contact Miele USA at (800) 991-9380 or Miele Canada at (888) 325-3957 for dimensions not shown or for clarification.