

THE BENCHMARK MACHINES

OPL ON-PREMISE LAUNDRY



Gas Heating



Electric Heating



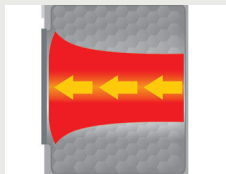
7 Years
Warranty



PDR 910 | 20 lbs. PERFORMANCE PLUS

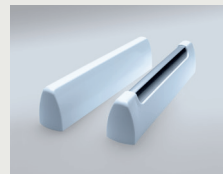
Features

- M Touch Pro programmable color display
- Short program cycles
- Patented Honeycomb Drum
- PerfectDry system – residual moisture sensors
- Intelligent dryers – gentle and uniform
- Perfect anti-crease
- Economical and efficient
- WiFi capable



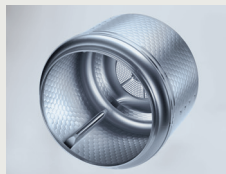
Axial airflow

For perfect drying results, air is passed through the drum according to the principle of longitudinal air flow.



SoftLift drum ribs ensure gentle fabric care

The SoftLift drum ribs allow laundry to be dried gently and evenly.



Honeycomb Drum

Less folding, easy finishing: laundry is dried very gently and evenly in the Honeycomb Drum.



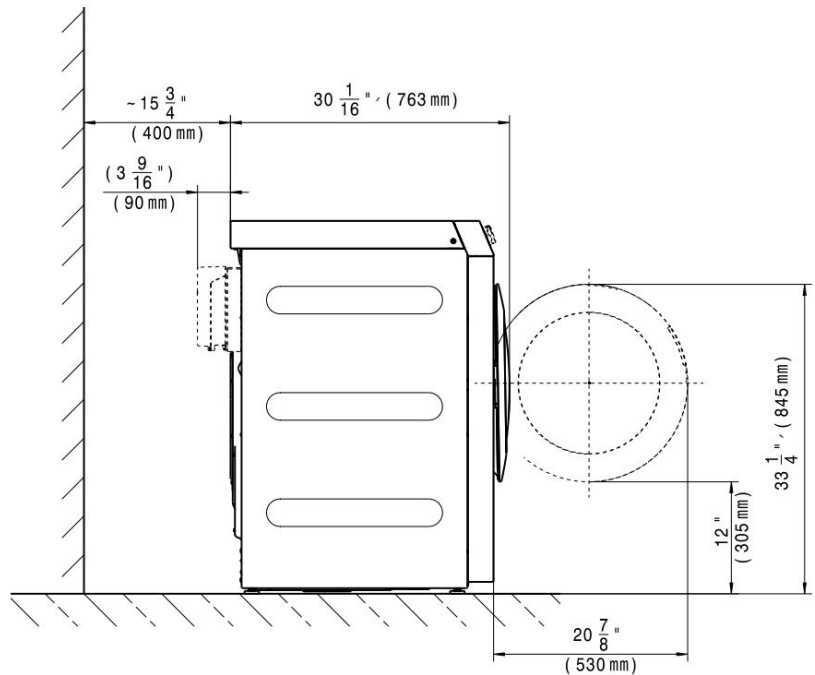
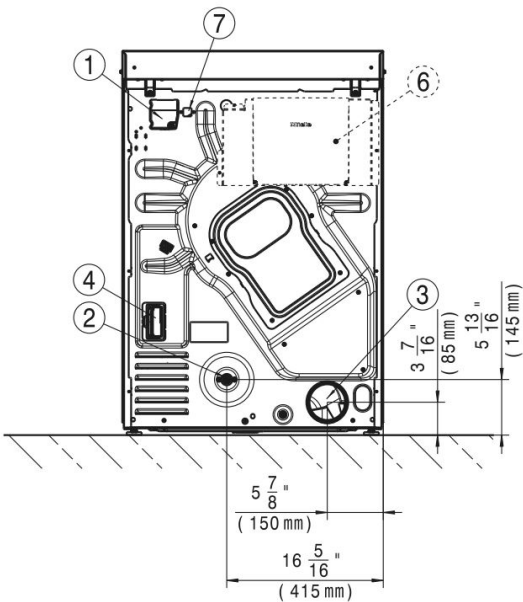
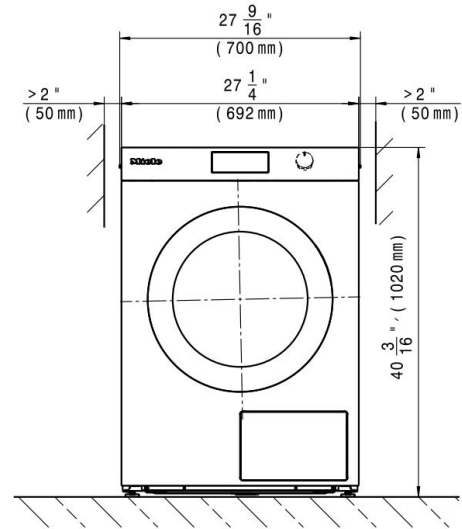
Practical large-surface filter

The filter is easy to remove and captures the fluff from several drying cycles.

| Model | Heat Type | Electrical Specification Voltage/Hz/Phase (Amp) | Color | Material No. | Article No. |
|---------|-----------|--|-----------|--------------|-------------|
| PDR 910 | Gas | 208, 240/60/1 (2 x 15 A) | Iron Grey | 12271750 | 52910018NAM |
| PDR 910 | Electric | 208, 240/60/1 (2 x 30 A) | Iron Grey | 12271740 | 52910017NAM |

Specifications

| | |
|--|--|
| Capacity | 20 lbs. (9 kg) |
| Cylinder Diameter | 25 ⁹ / ₁₆ in. (649 mm) |
| Cylinder Depth | 21 ⁵ / ₈ in. (550 mm) |
| Cylinder Volume | 6.4 cu.ft. (180 l) |
| Machine Dimensions (WxDxH) | 27 ⁹ / ₁₆ x 30 ¹ / ₁₆ x 40 ³ / ₁₆ in. (700 x 763 x 1,020 mm) |
| Door Opening | 17 ⁵ / ₁₆ in. (440 mm) |
| Floor to Door | 12 in. (305 mm) |
| Reversible Door | No |
| Shipping Dimensions (WxDxH) | 29 ¹⁵ / ₁₆ x 32 ¹ / ₄ x 47 ¹³ / ₁₆ in. (760 x 820 x 1,215 mm) |
| Net Weight | 159 lbs. (72 kg) |
| Crated Weight | 176 lbs. (80 kg) |
| Min. Recommended Distance Between Machines | 2 in. (50 mm) |
| Plug/connection cable | NEMA plug: Twist Lock L6-30 |
| Agency Approvals | Intertek |



| Heating | Voltage (Voltage/Hz/Phase) | Wire | Circuit Breaker Amps | Running Amps | Total Power (kW) |
|----------|-------------------------------|-----------------|----------------------|--------------|--------------------------|
| Gas | 208, 240/60/1 | 2 Wire + Ground | 15 | 1.5 | 0.32 |
| Electric | 208, 240/60/1 | 2 Wire + Ground | 30 | 21.9 | 4.0 (208V) 5.2 (240V) |

Specifications subject to change without notice or obligation.
Contact Miele USA at (800) 991-9380 or Miele Canada at
(888) 325-3957 for dimensions not shown or for clarification.